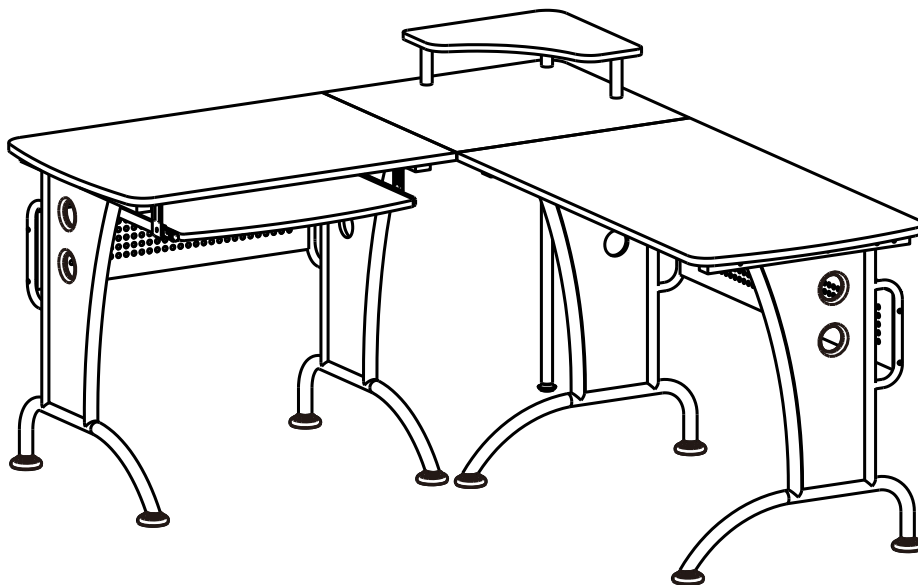


## ASSEMBLY INSTRUCTIONS

Please read this guide carefully and check that you have all parts before you begin assembly. As a thank you for your purchase, we would like to offer you a 10% discount\* off our range of matching furniture on with voucher code **10%MATCH**.

### Need help with your item or unhappy?

If you have **ANY** questions, please do not hesitate to email us on and we will do our very best to help. You can also contact us via our website



**TWO PEOPLE RECOMMENDED**

#### **General Care:**

Keep furniture out of direct sunlight. Use mats and coasters to protect surfaces.  
Do not place hot or wet items directly onto unprotected surfaces.

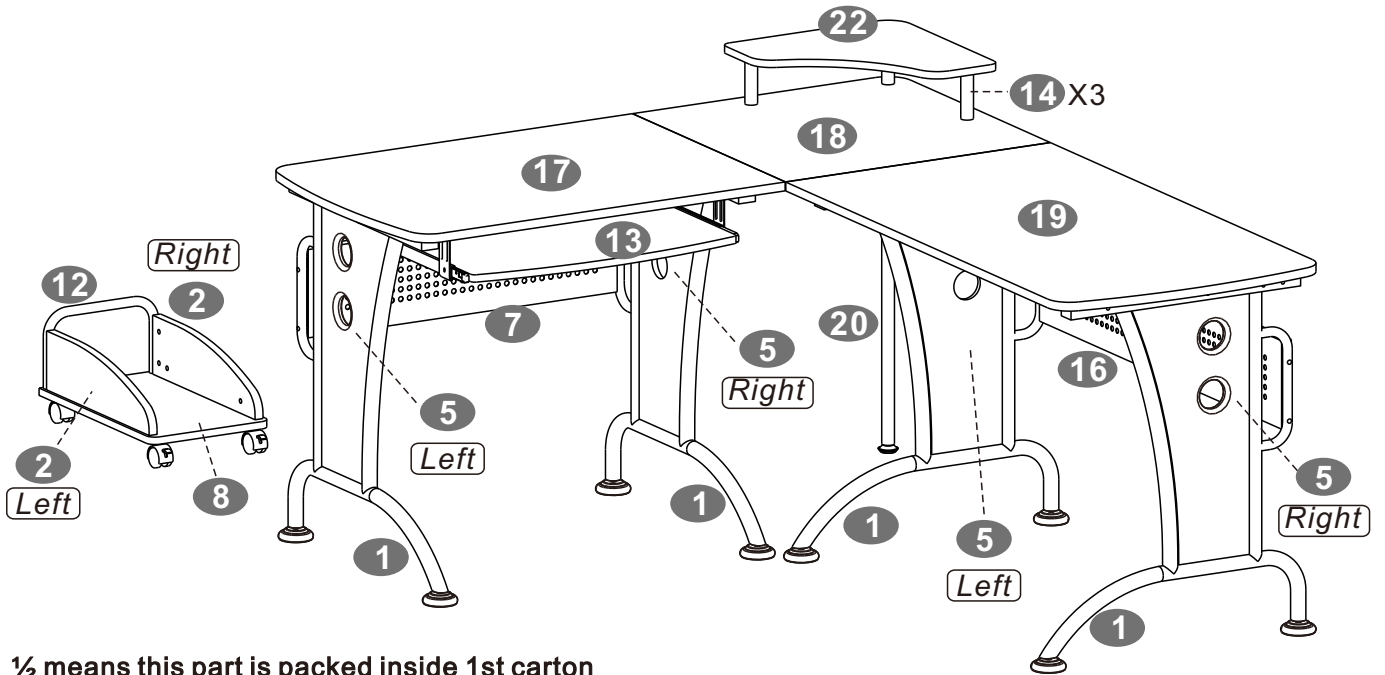
#### **Cleaning:**

Wipe surfaces with a clean damp (not wet) cloth then dry with a clean lint free cotton cloth.  
Glass surfaces may be polished with window or other glass cleaning liquids.

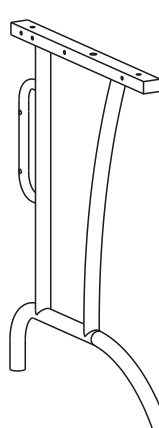
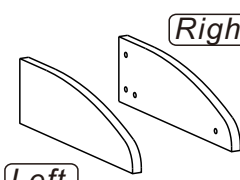
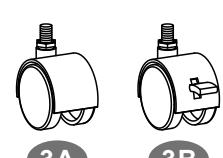
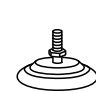
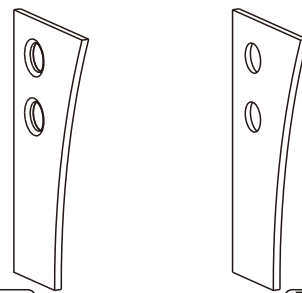

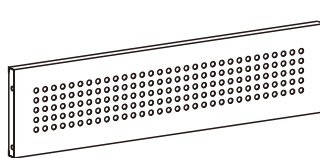


**Please retain cartons until assembled as goods MUST be returned in original packaging.**




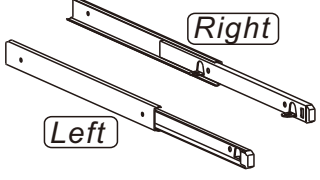
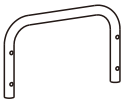



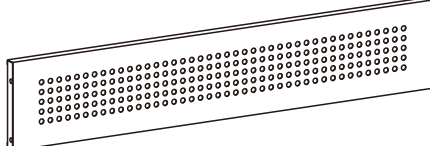
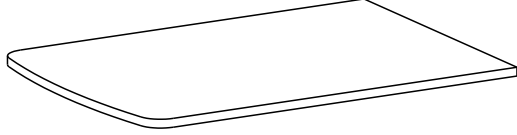
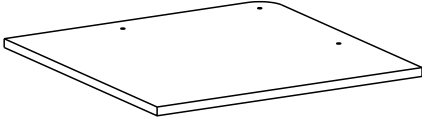
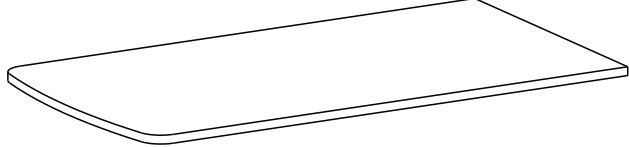



▪PARTS LIST



1/2 means this part is packed inside 1st carton  
 2/2 means this part is packed inside 2nd carton

<p>2/2</p>  <p>1</p> <p>X4</p>	<p>2/2</p>  <p>2</p> <p>Right</p> <p>Left</p> <p>X1</p>	<p>2/2</p>  <p>3</p> <p>3A</p> <p>3B</p> <p>X2</p>	
<p>2/2</p>  <p>4</p> <p>X8</p>	<p>1/2</p>  <p>5</p> <p>Left</p> <p>Right</p> <p>X2</p>		
<p>2/2</p>  <p>6</p> <p>X1</p>	<p>2/2</p>  <p>7</p> <p>X1</p>	<p>2/2</p>  <p>8</p> <p>X1</p>	<p>2/2</p>  <p>9</p> <p>X4</p>



<p><math>\frac{2}{2}</math></p> <p><b>10</b></p>  <p>X4</p>	<p><math>\frac{2}{2}</math></p> <p><b>11</b></p>  <p>Right</p> <p>Left</p> <p>X1</p>	<p><math>\frac{2}{2}</math></p> <p><b>12</b></p>  <p>X1</p>	<p><math>\frac{2}{2}</math></p> <p><b>13</b></p>  <p>X1</p> <p><math>\frac{2}{2}</math></p> <p><b>14</b></p>  <p>X3</p>
<p><math>\frac{2}{2}</math></p> <p><b>15</b></p>  <p>X1</p>	<p><math>\frac{2}{2}</math></p> <p><b>16</b></p>  <p>X1</p>		
<p><math>\frac{1}{2}</math></p> <p><b>17</b></p>  <p>X1</p>	<p><math>\frac{1}{2}</math></p> <p><b>18</b></p>  <p>X1</p>		
<p><math>\frac{1}{2}</math></p> <p><b>19</b></p>  <p>X1</p>	<p><math>\frac{2}{2}</math></p> <p><b>20</b></p>  <p>X1</p>		
<p><math>\frac{2}{2}</math></p> <p><b>21</b></p>  <p>X1</p>	<p><math>\frac{2}{2}</math></p> <p><b>22</b></p>  <p>X1</p>		



PART	QTY.	ITEM	
<b>A</b>	16	5X45 MM	
<b>B</b>	4	6X50 MM	
<b>C</b>	12	6X45 MM	
<b>D</b>	3	6X30 MM	
<b>E</b>	4	4X14 MM	
<b>F</b>	1	6X40 MM	
<b>G</b>	4	4X4 MM	

PART	QTY.	ITEM	
<b>H</b>	12	6X12 MM	
<b>I</b>	18	6X35 MM	
	1		
	1		

■ ASSEMBLY STEPS:

**1**

Right 2 Left 2 8

■ SCREWS  
**I** 6X35 MM   
 4PCS

**2**

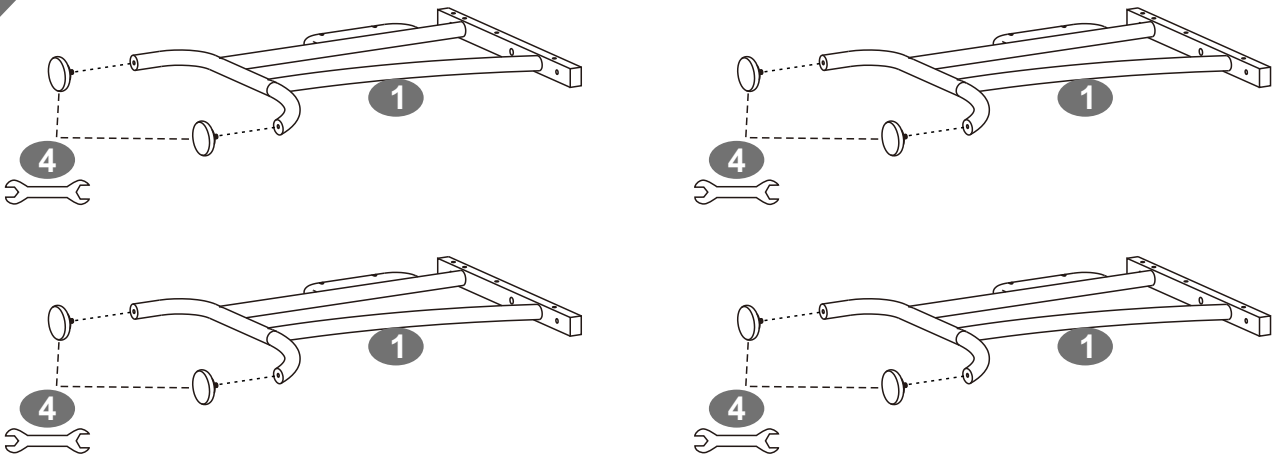
Right 2 Left 2 12

■ SCREWS  
**I** 6X35 MM   
 4PCS

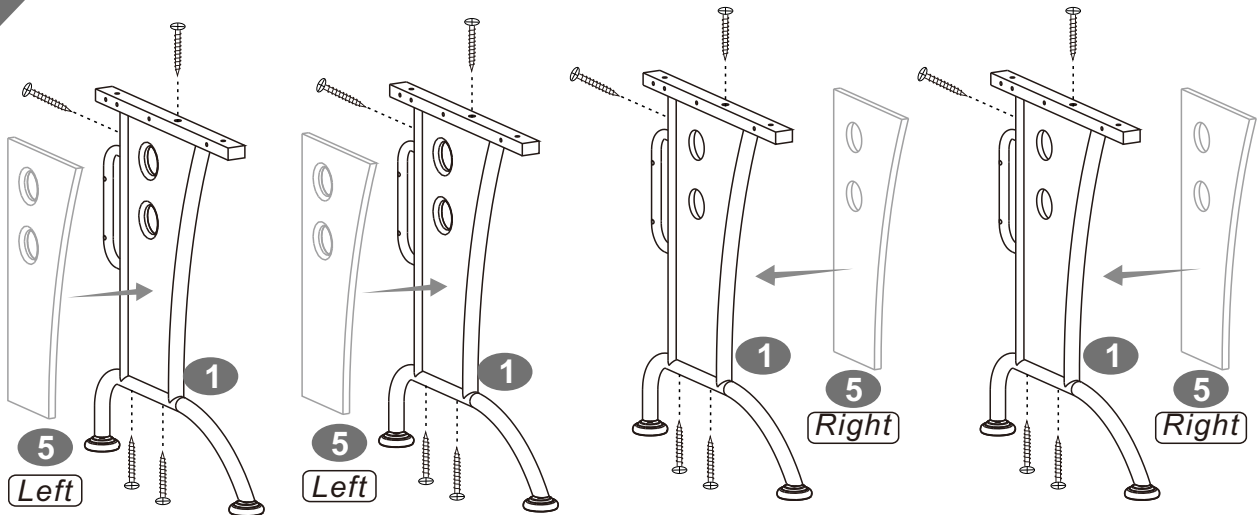
**3**

8 3A X2 3B X2


4

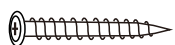


5

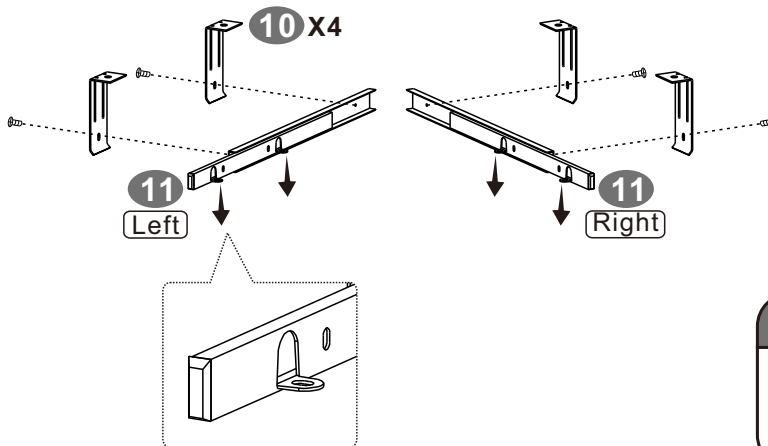


▪ SCREWS


**A** 5X45 MM 


 16PCS

6

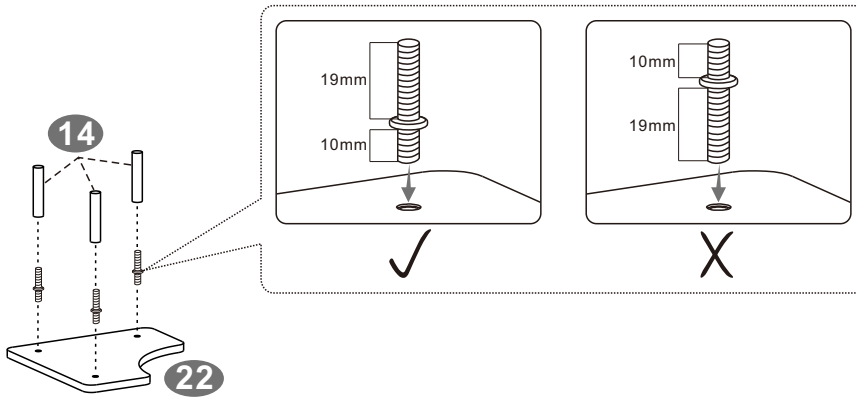


▪ SCREWS

**G** 4X4 MM 

 4PCS

7

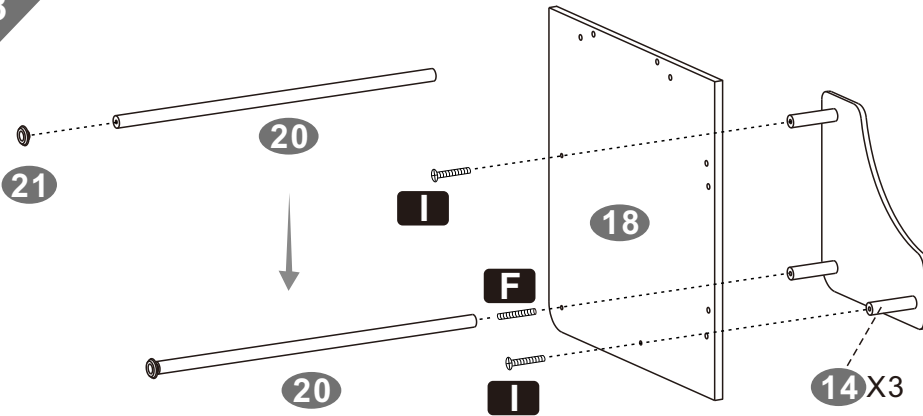


SCREWS

**D** 6X30 MM

3PCS

8



SCREWS

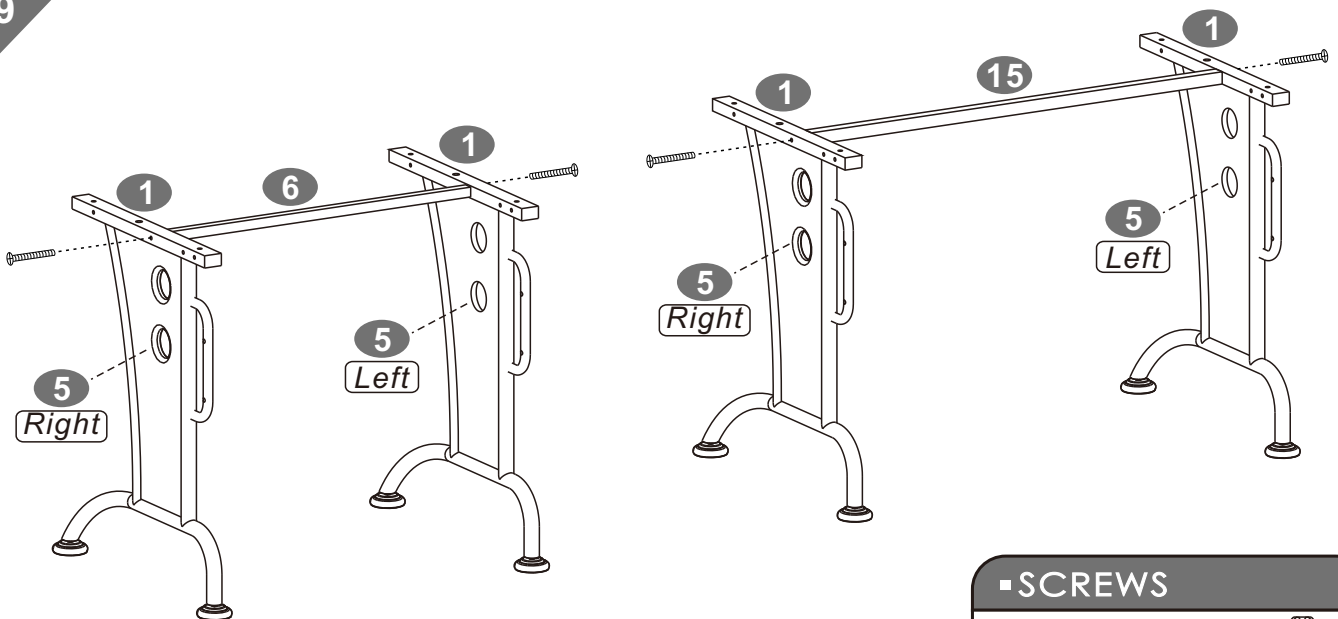
**F** 6X40 MM

1PC

**I** 6X35 MM

2PCS

9

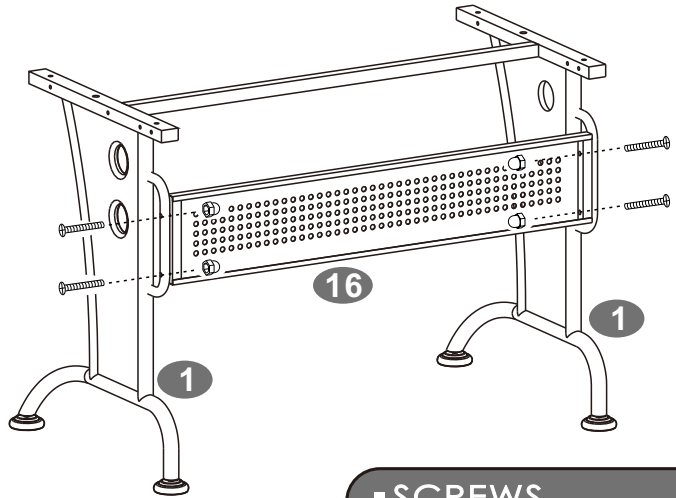
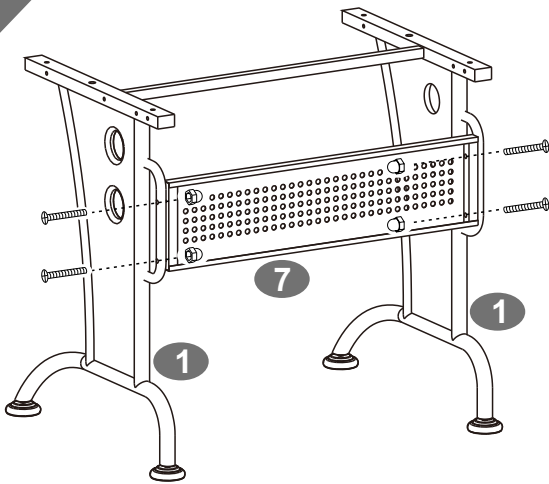


SCREWS

**B** 6X50 MM

4PCS

10

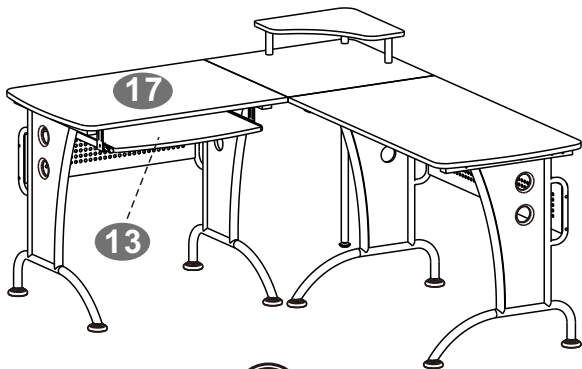


■ SCREWS

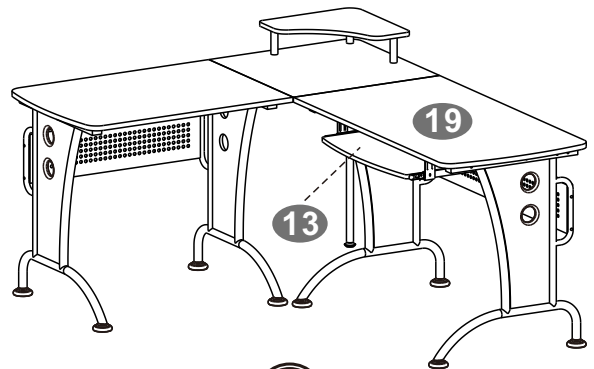
**C** 6X45 MM

8PCS

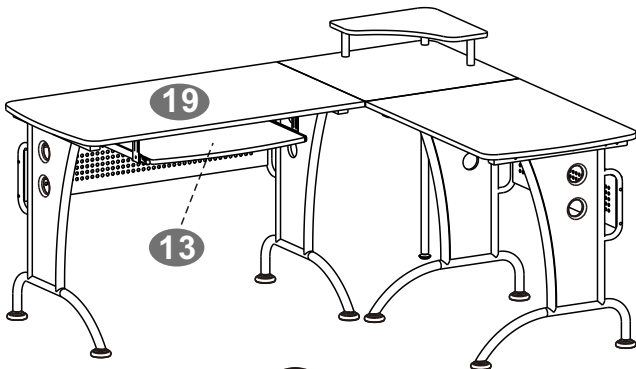
**\*\* There are 4 options to assemble our desk, please choose it according to your preference.**



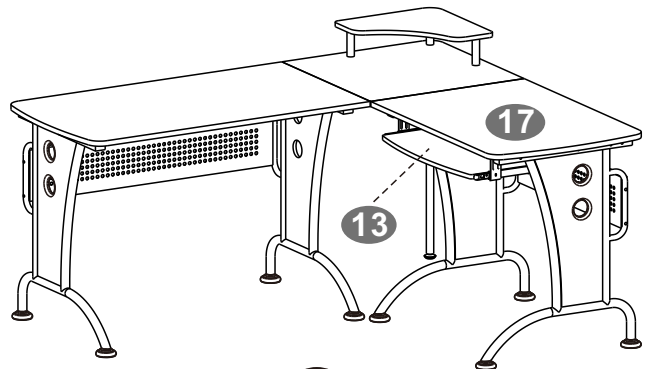
**A**  
A1-A6



**B**  
B1-B6

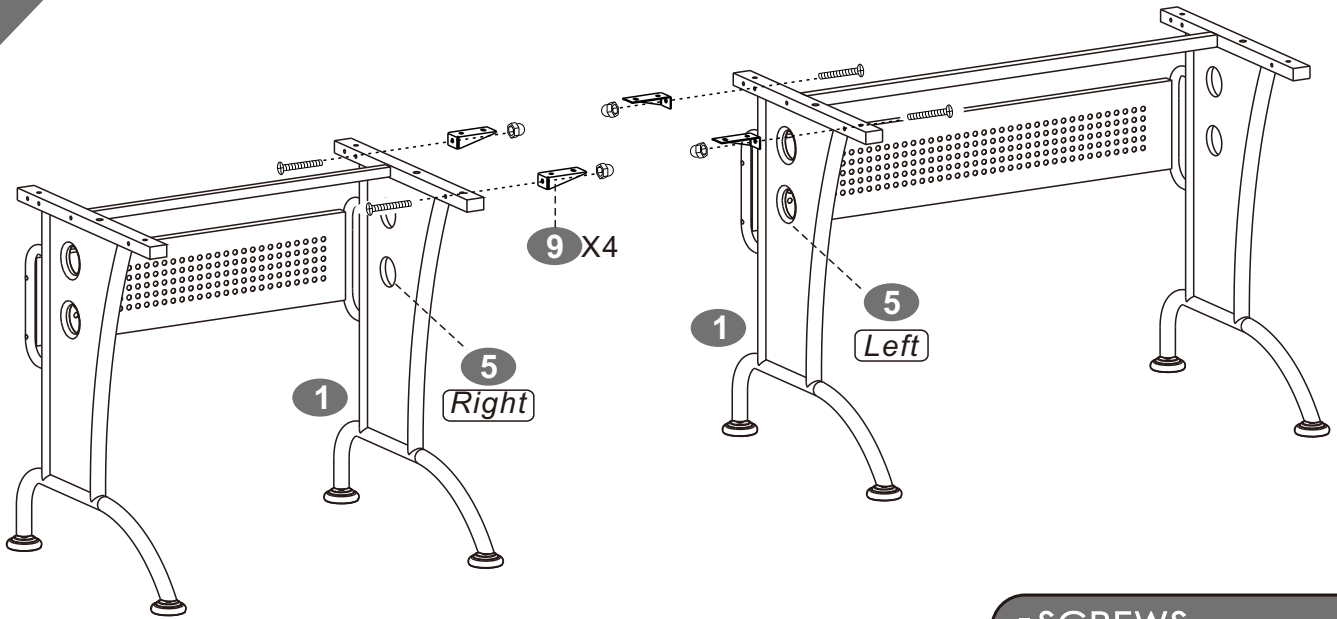


**C**  
C1-C6



**D**  
D1-D6

A1

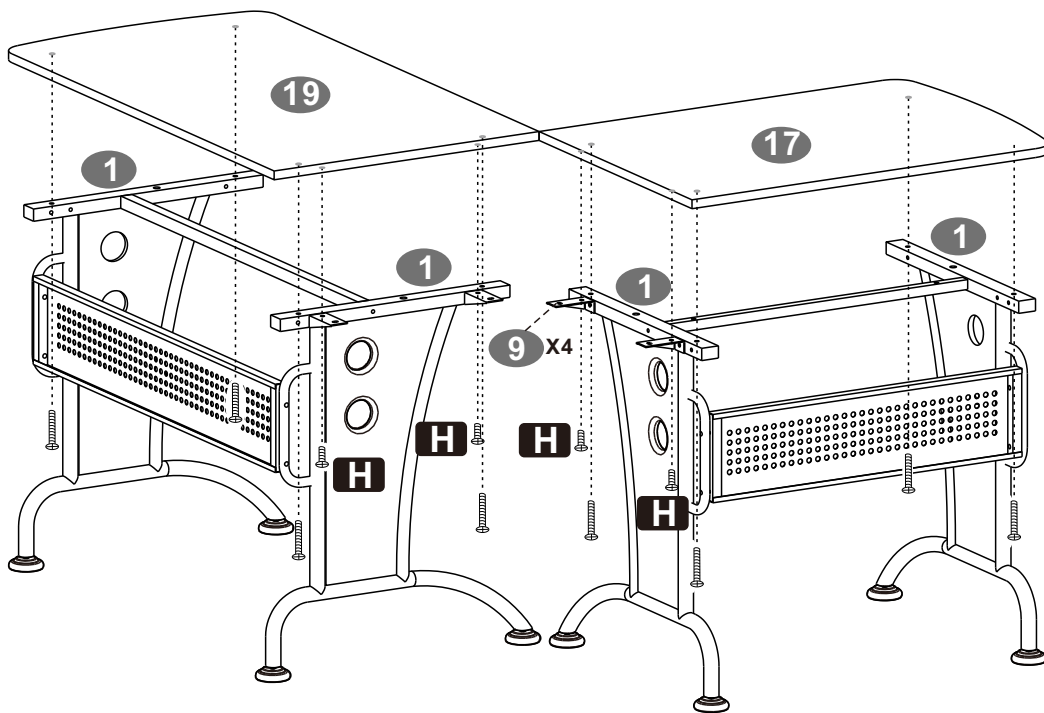


SCREWS

**C** 6X45 MM

 4PCS 

A2



SCREWS

**H** 6X12 MM

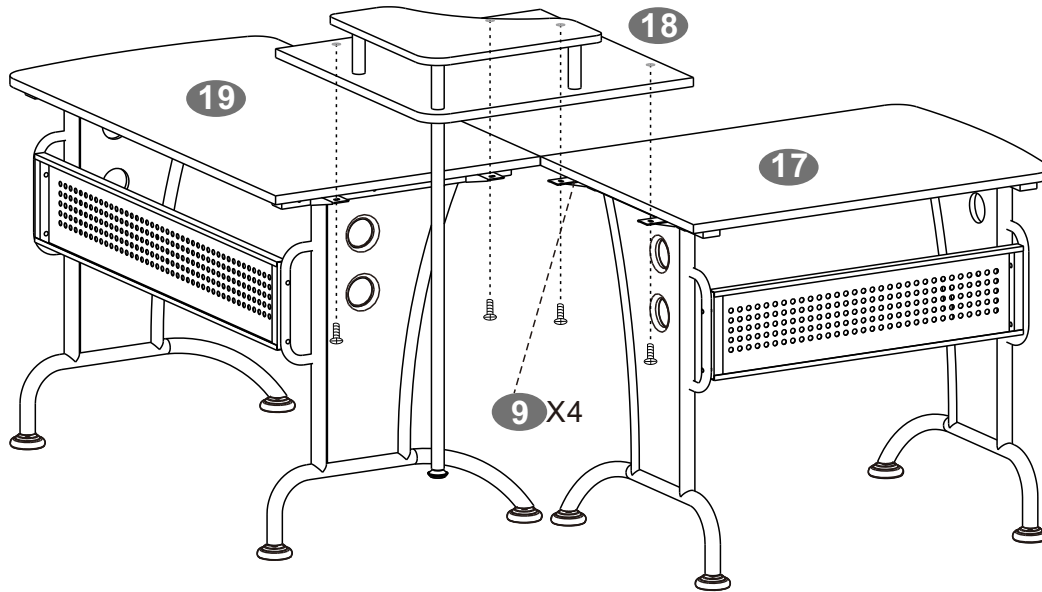
 4PCS 

SCREWS

**I** 6X35 MM

 8PCS 

A3



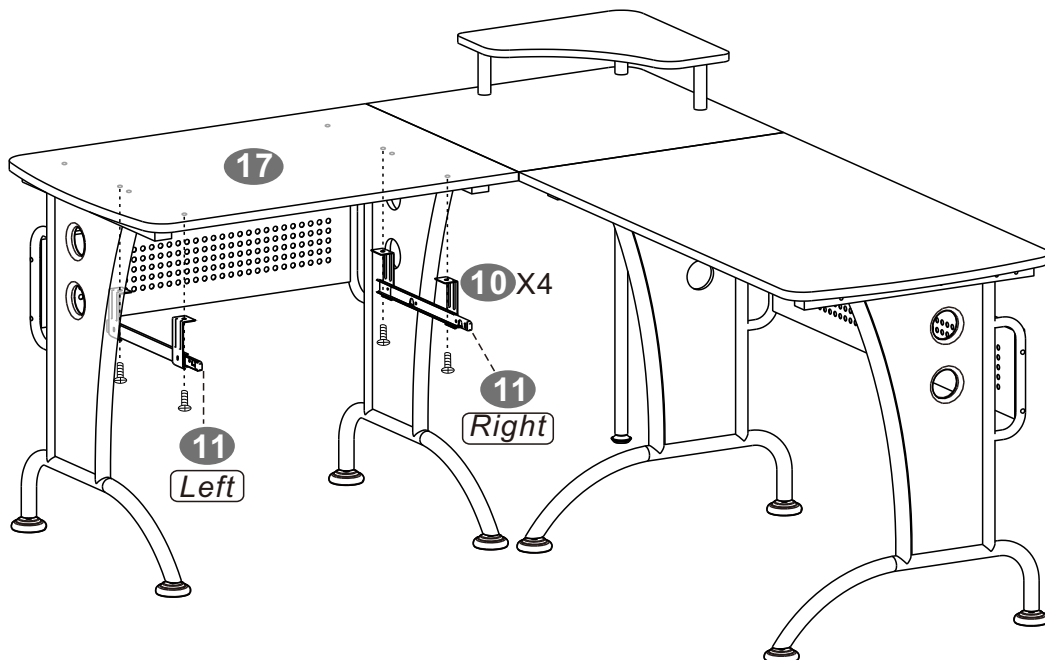
■ SCREWS

**H** 6X12 MM

4PCS



A4



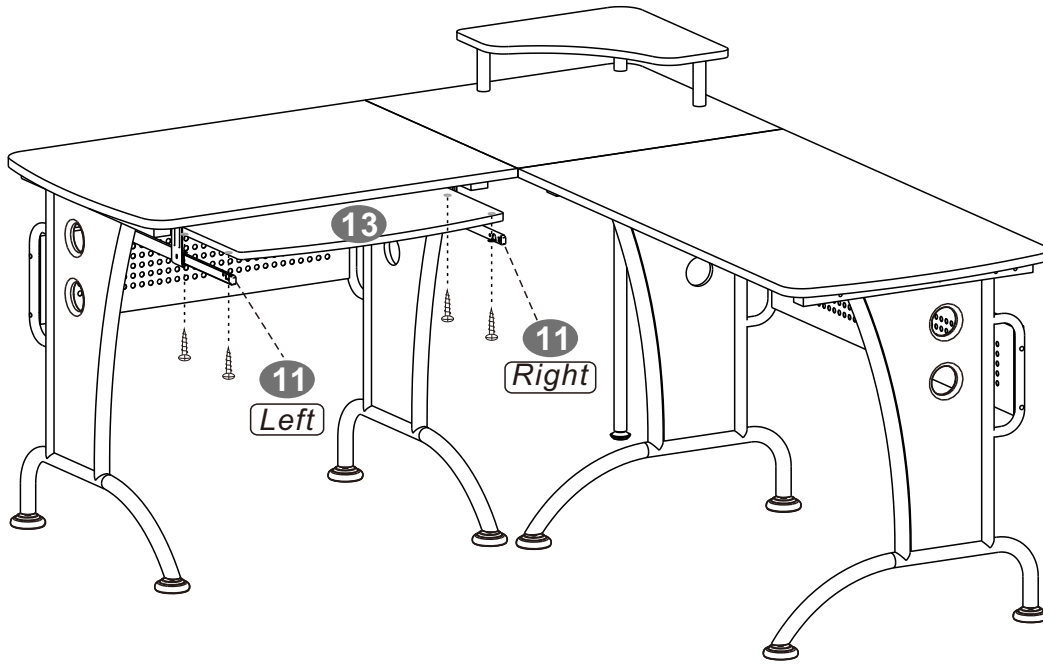
■ SCREWS

**H** 6X12 MM

4PCS



A5



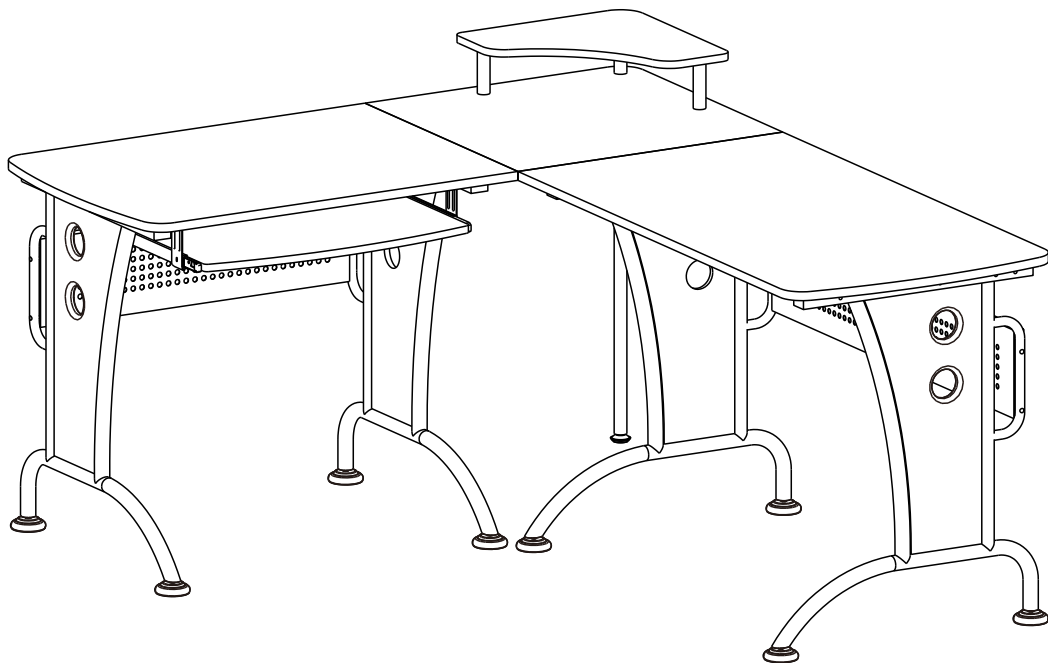
■ SCREWS

**E** 4X14 MM

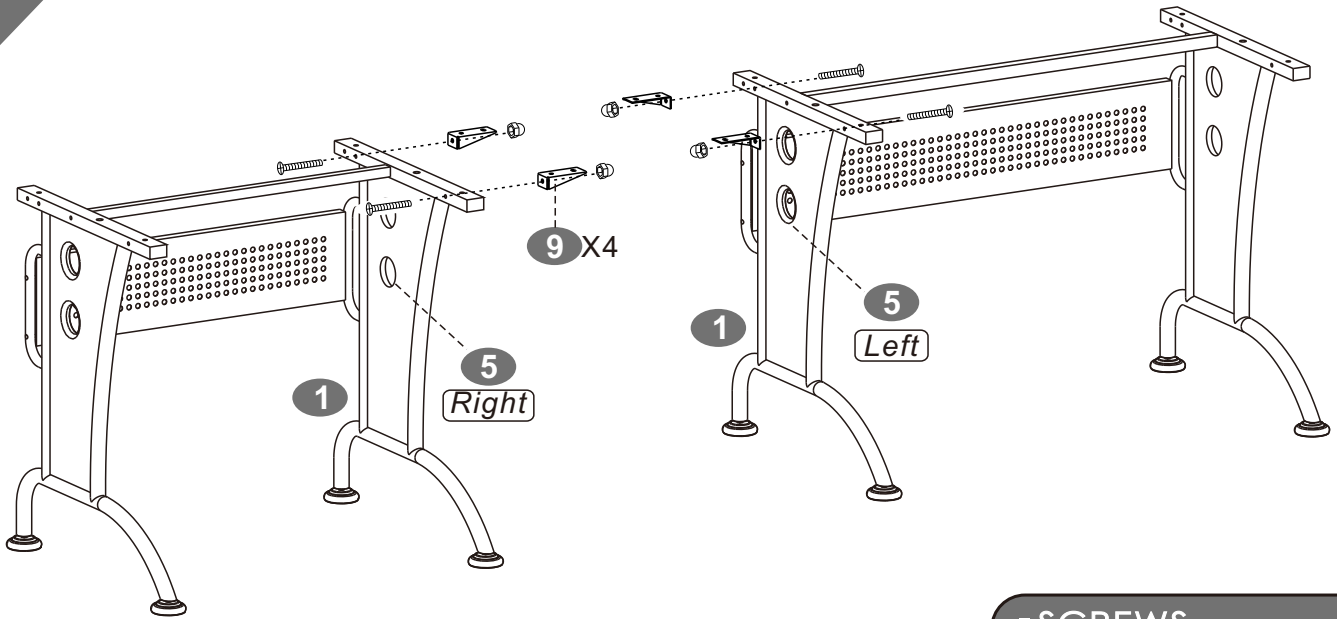
4PCS



A6



B1

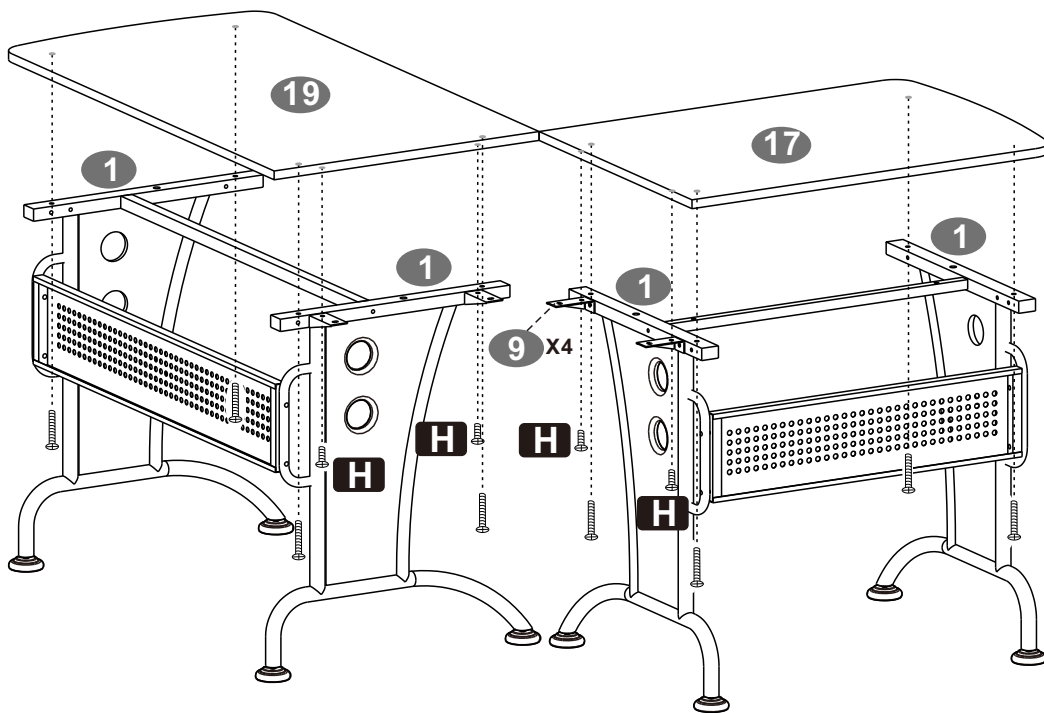


SCREWS

**C** 6X45 MM

  4PCS 

B2




SCREWS

**H** 6X12 MM

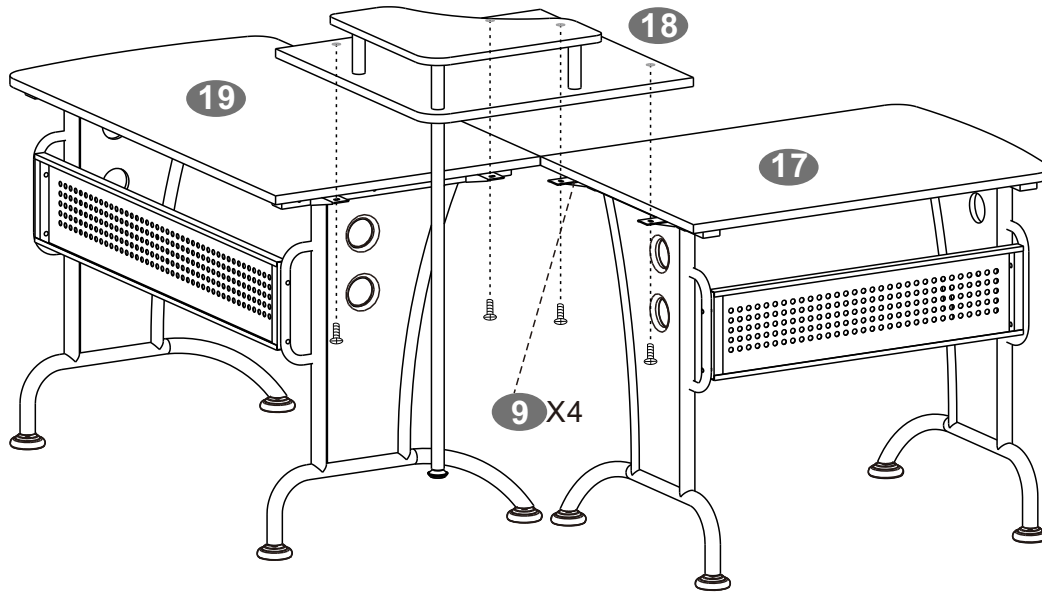
 4PCS 

SCREWS


**I** 6X35 MM

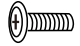
 8PCS 

B3

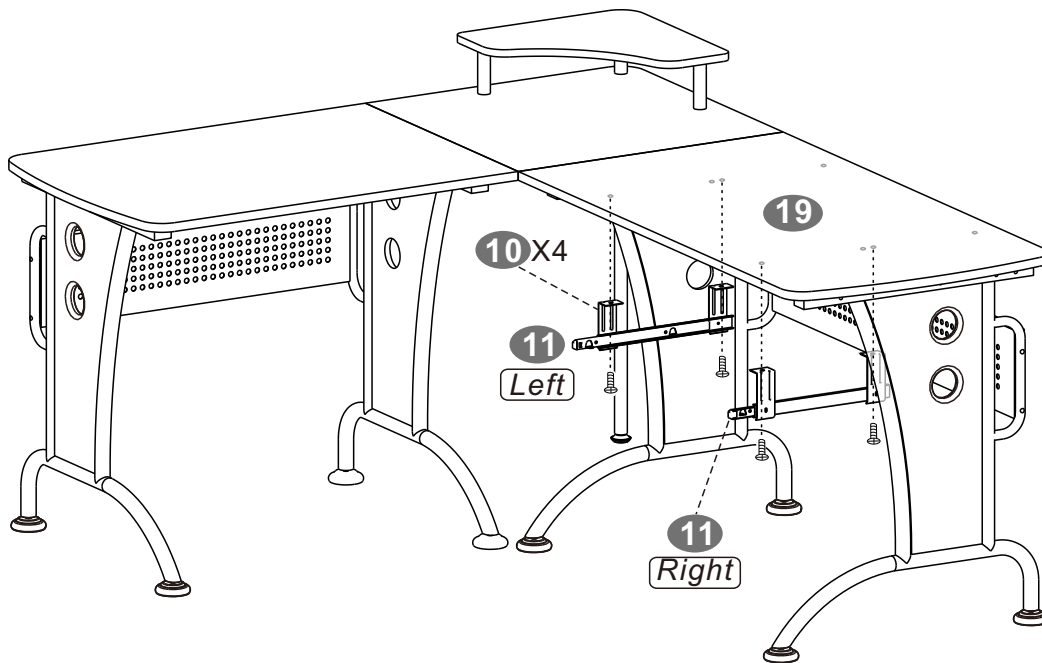


■ SCREWS


**H** 6X12 MM 

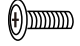
 4PCS

B4

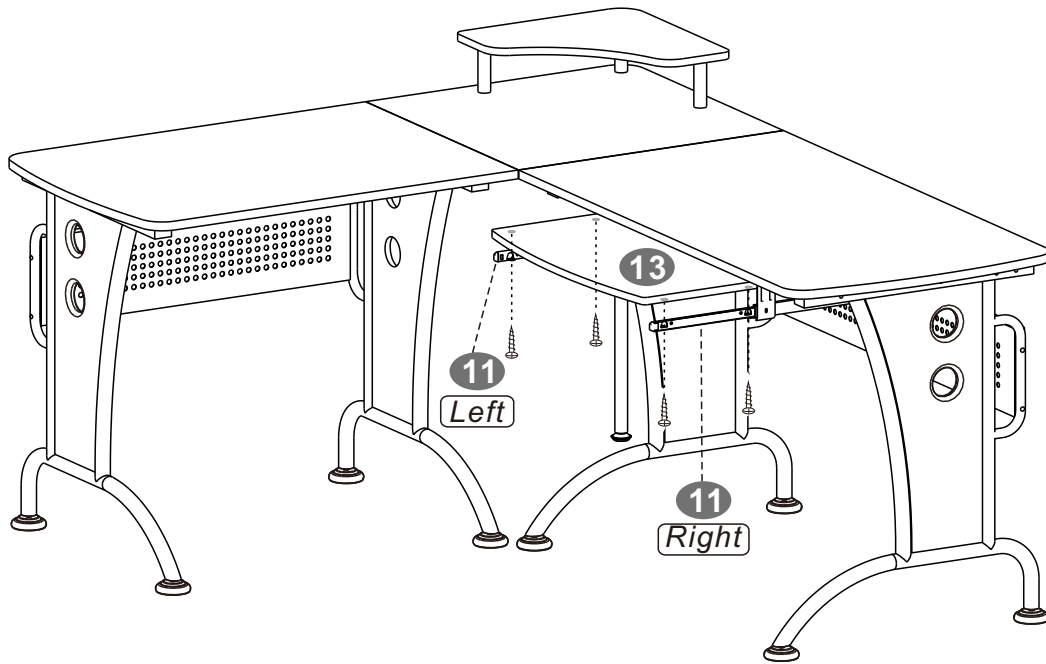


■ SCREWS

**H** 6X12 MM 

 4PCS

B5



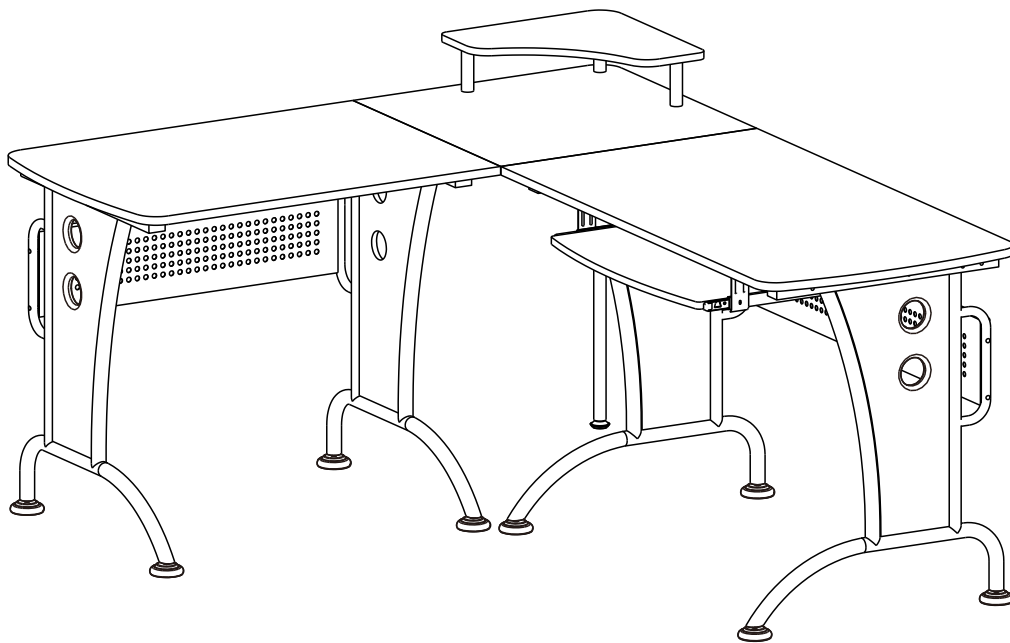
■ SCREWS

**E** 4X14 MM

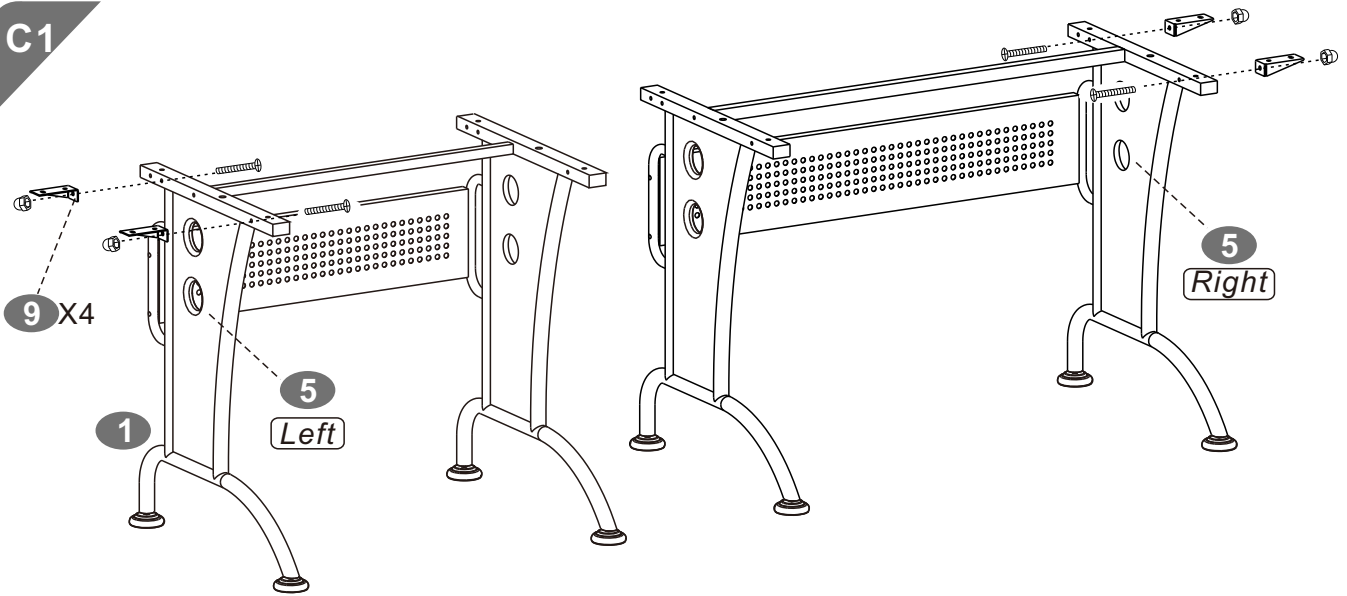
 4PCS



B6



C1

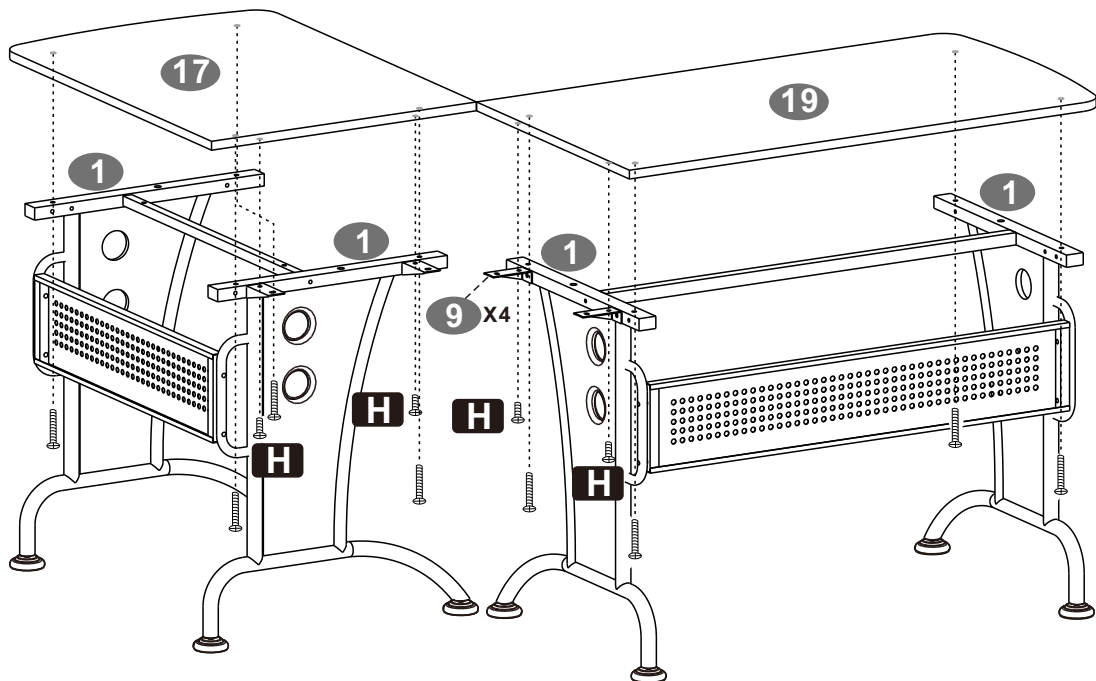


■ SCREWS

**C** 6X45 MM



  4PCS 

C2




■ SCREWS

**H** 6X12 MM

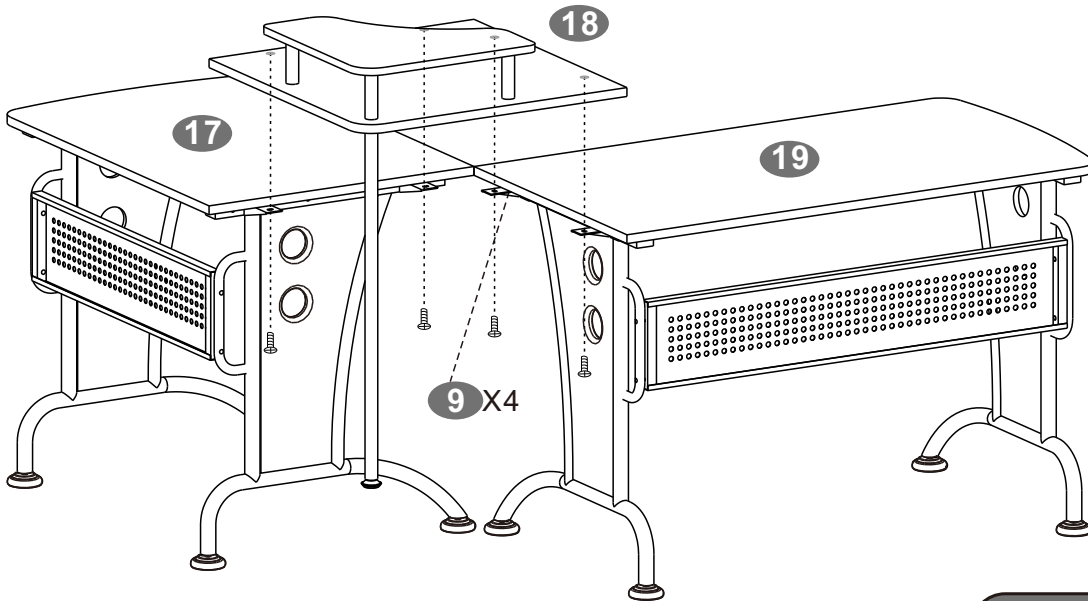
 4PCS 

■ SCREWS

**I** 6X35 MM

 8PCS 

C3



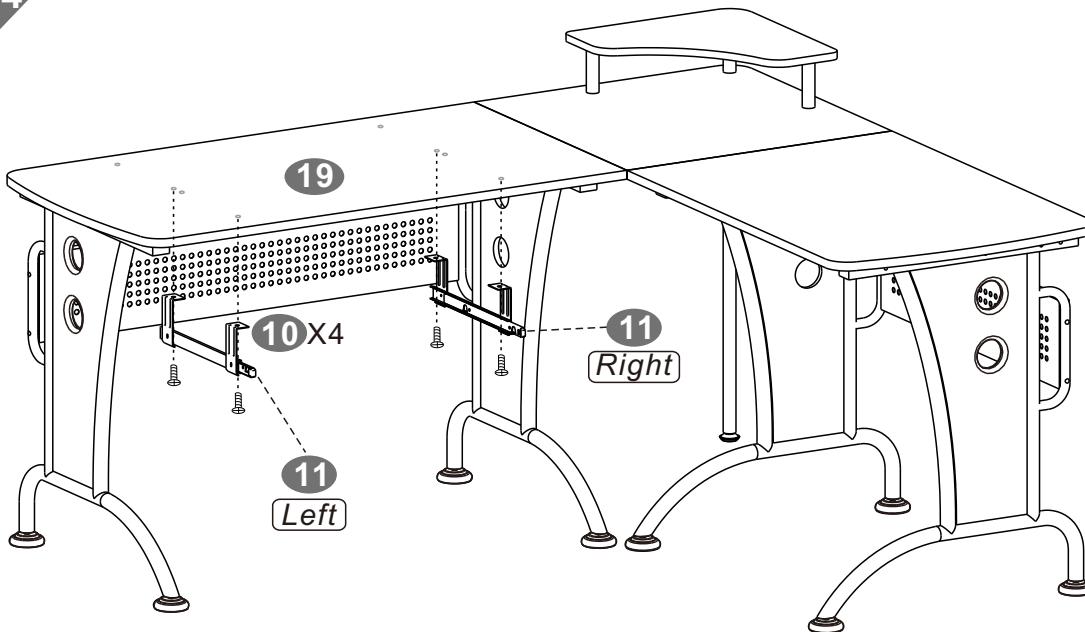
■ SCREWS

**H** 6X12 MM

 4PCS



C4



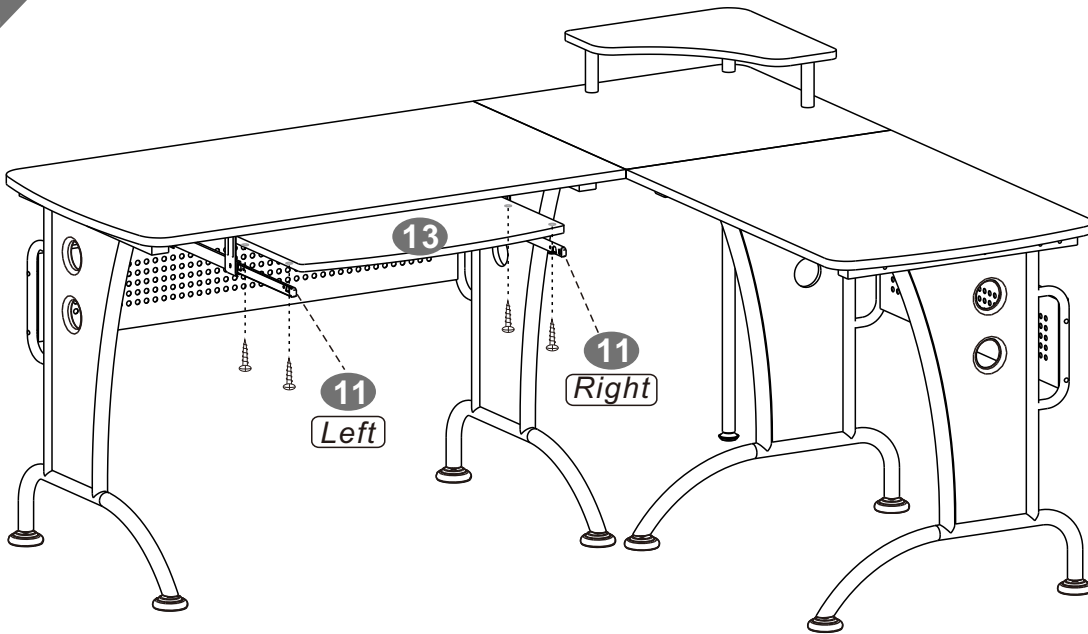
■ SCREWS

**H** 6X12 MM

 4PCS



C5



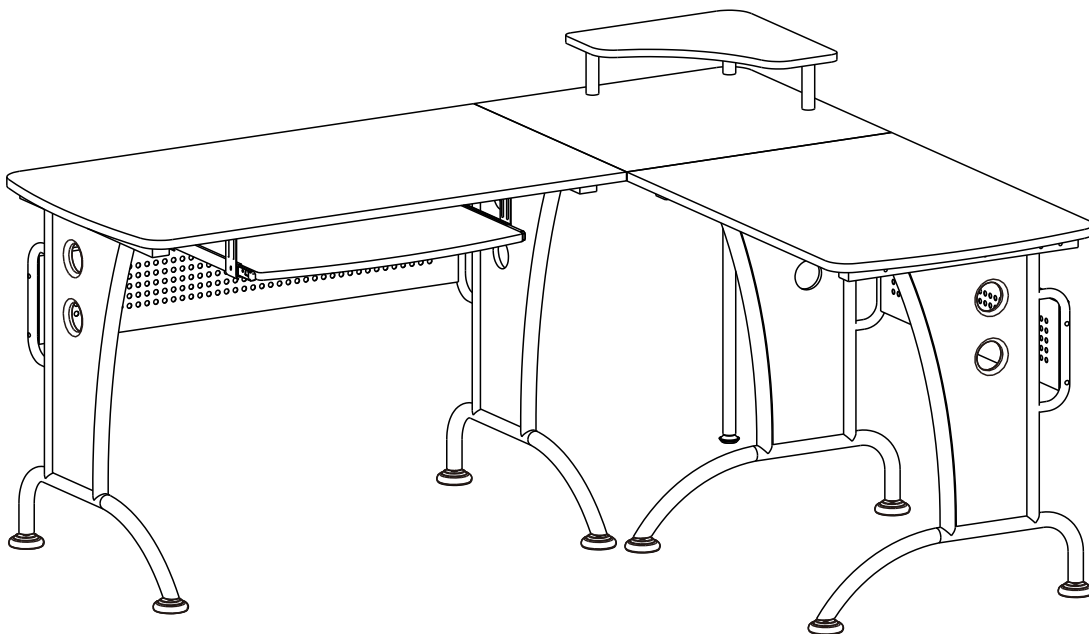
SCREWS

**E** 4X14 MM

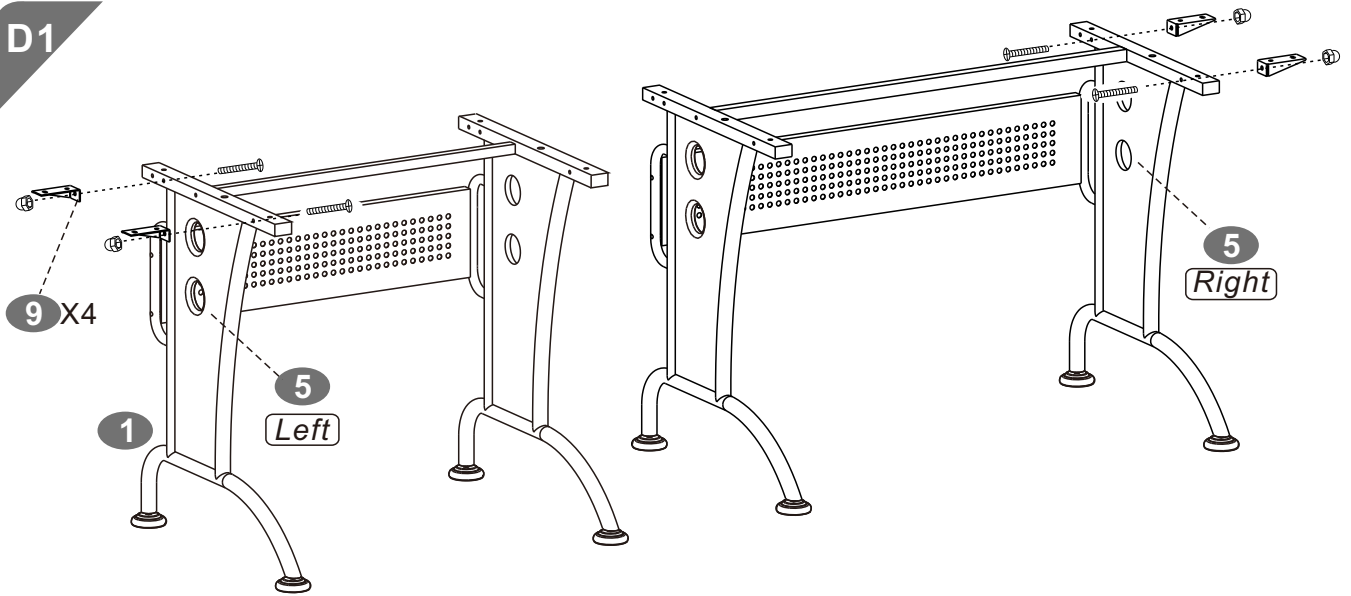
 4PCS



C6



D1

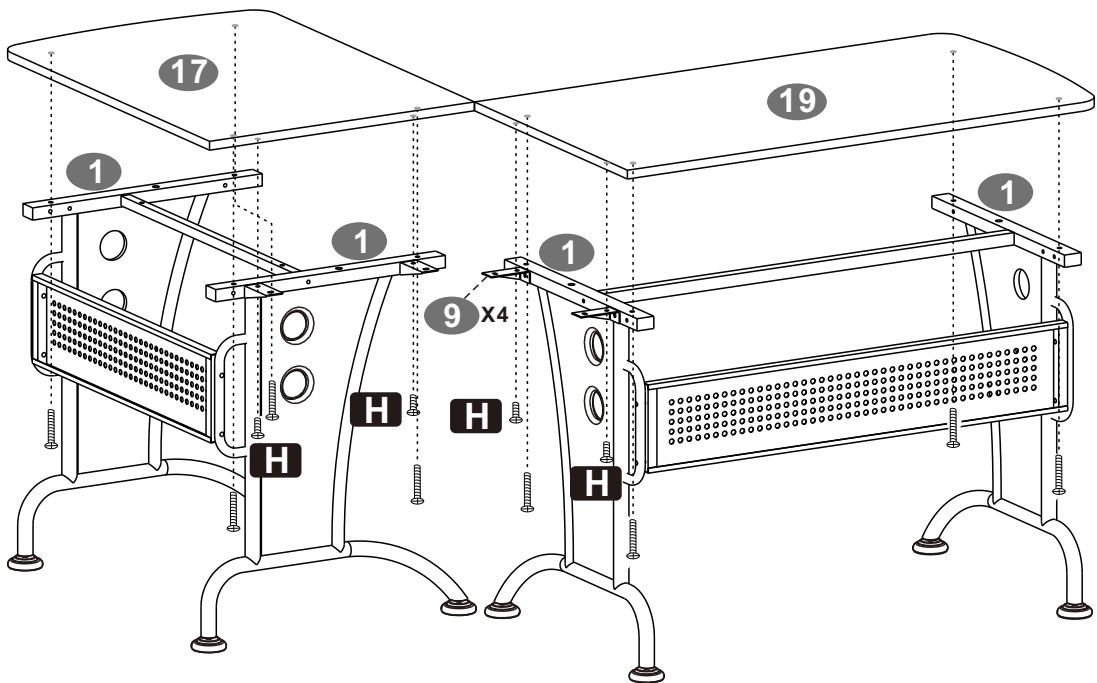


▪ SCREWS

**C** 6X45 MM

4PCS

D2



▪ SCREWS

**H** 6X12 MM

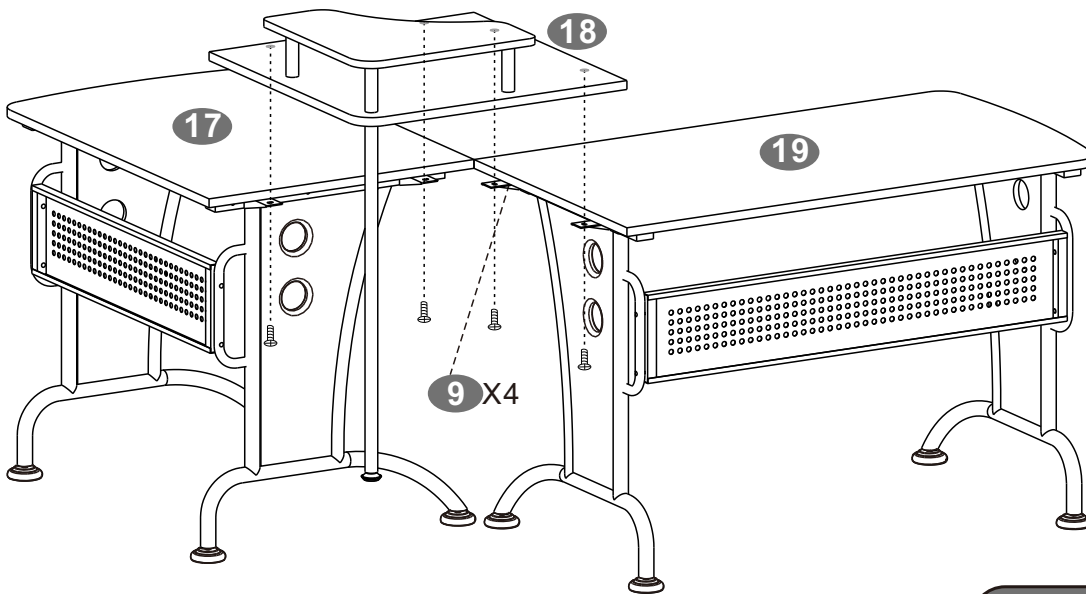
4PCS

▪ SCREWS

**I** 6X35 MM

8PCS

D3



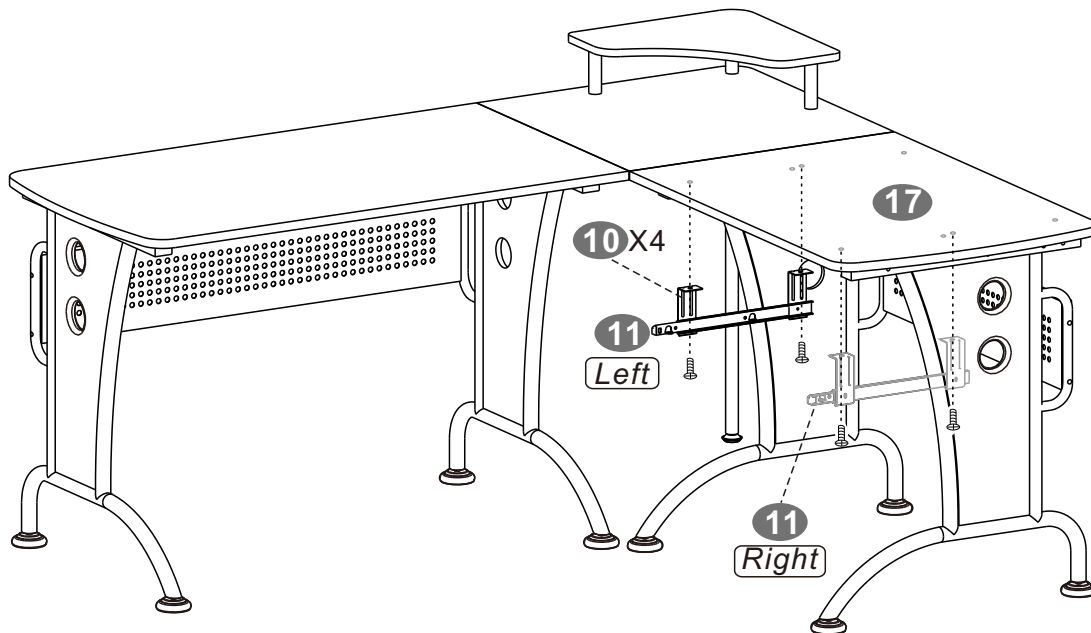
■ SCREWS

**H** 6X12 MM

4PCS



D4



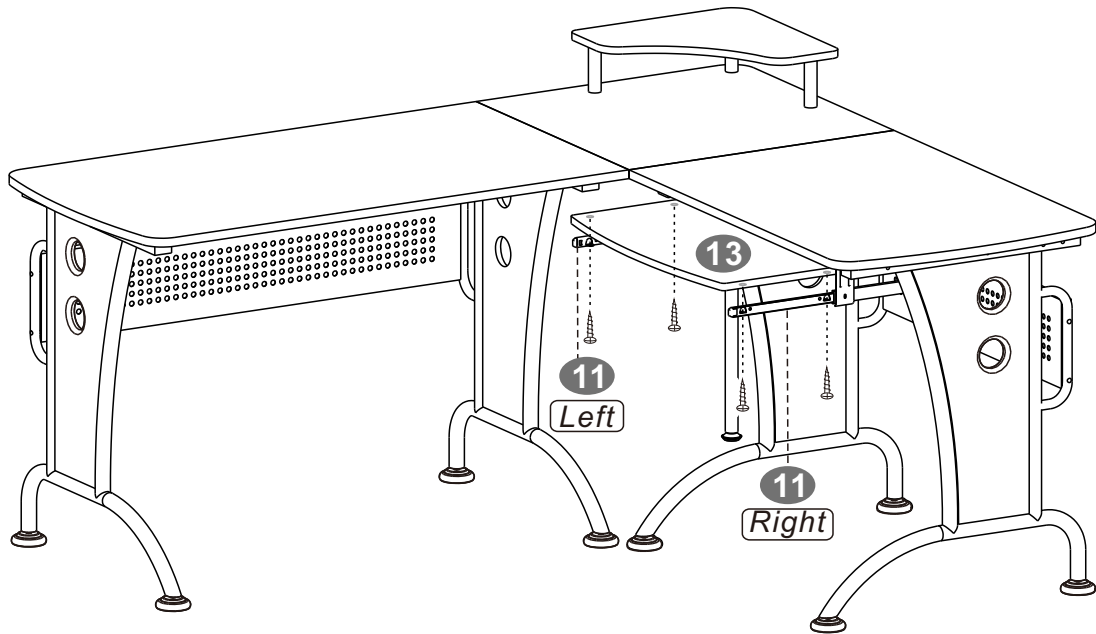
■ SCREWS

**H** 6X12 MM


4PCS




D5



■ SCREWS

**E** 4X14 MM 

 4PCS

D6

