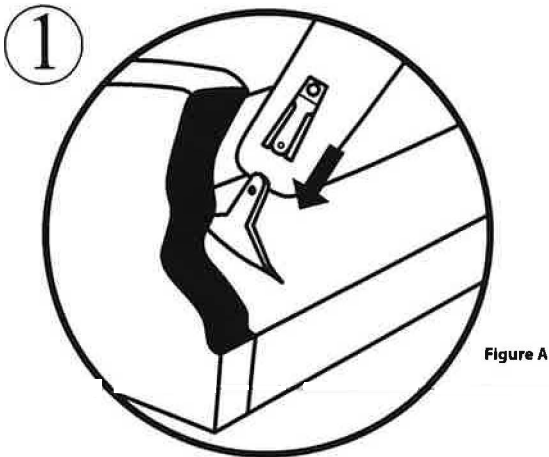


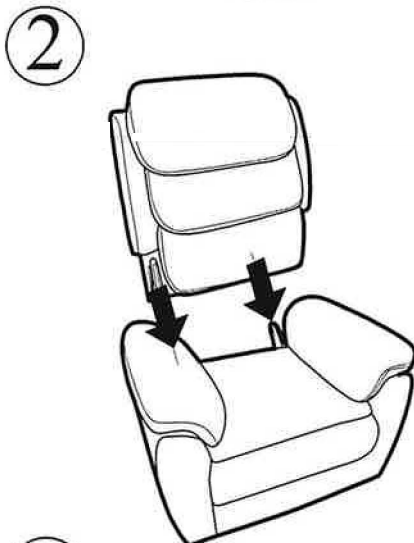
ASSEMBLY INSTRUCTIONS

CAUTION: PLEASE READ ALL INSTRUCTIONS CAREFULLY BEFORE STARTING ASSEMBLY PROCESS. IT IS RECOMMENDED TO USE TWO PEOPLE WHEN ASSEMBLING AND REMOVING THE INSIDE BACKS TO AND FROM THE BASE OF THE FURNITURE.



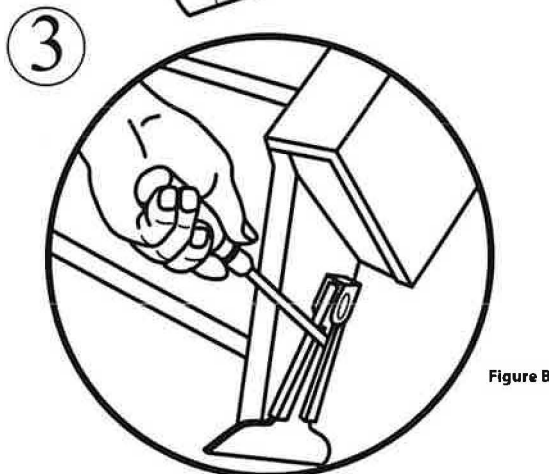
Step 1:

Slide inside back receivers into the steel mechanism posts in the base of the furniture (Figure A).



Step 2:



Press both sides of the inside back firmly into place. The inside back automatically locks into place.

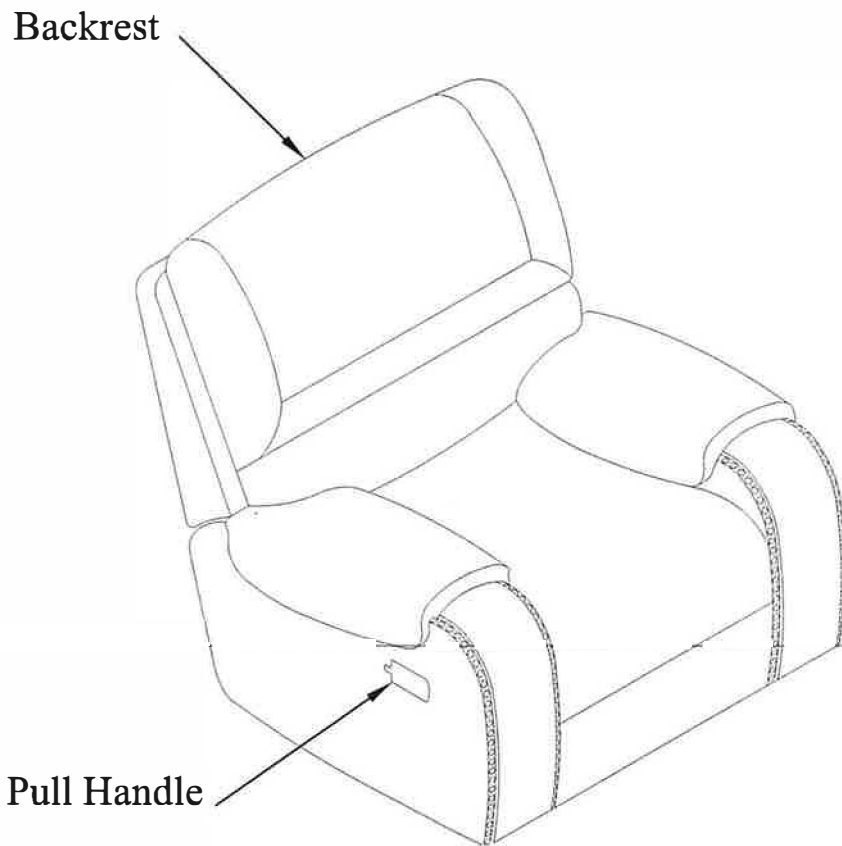


Step 3:

To remove the inside backs, use a screwdriver pressing outward on the black tab in the metal sleeve (Figure B) on both sides of the inside back and lift the inside back from the base of the furniture.

PART LIST

NO.		Q.TY	DESCRIPTION
A		1	BACKREST
B		1	BODY



PRODUCT DETAILS	
RECLINER CHAIR BODY	ACACIA + PLYWOOD
PRODUCT SIZE	W 39" x D 39" x H 41"
CARTON SIZE	W 42" x D 33" x H 30 "
SEAT HEIGHT	21"
SEAT DEPTH	23"
NET WEIGHT	111 LBS
GROSS WEIGHT	124 LBS
CU.FT.	24.06

Fabric content: 100% PU

This fabric is not machine washable, all +/-3% residual shrinkage.

Do not use cleaning products containing brightening agents.