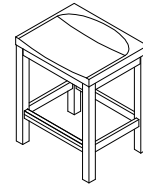


ASSEMBLY INSTRUCTIONS



042-690

TOOLS REQUIRED:

Allen Wrench (Provided, Part F)

BEFORE YOU START:

1. Check the parts against the parts list to make sure all items are present.
2. Assemble your furniture on a soft, flat surface to avoid scratching the finish.
3. **CAUTION:** Do not over tighten screws, nuts or bolts during assembly.
4. Your furniture may require occasional tightening.

INSTRUCTIONS:

Figure 1

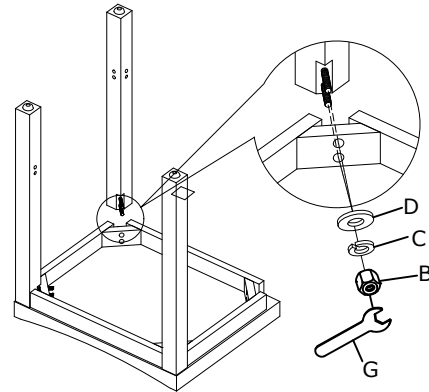
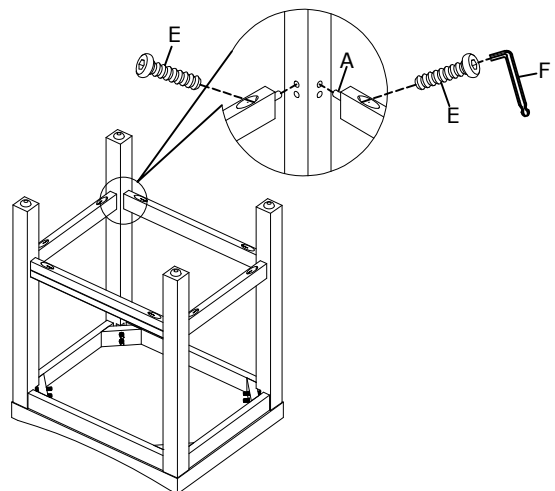




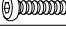




Figure 2



No.	Hardware List	Q'ty
A	 Dowel Ø8*30mmL	8pcs
B	 Hex nut Ø5/16"	8pcs
C	 Lock Washer Ø5/16"	8pcs
D	 Flat Washer Ø5/16"*16mm	8pcs
E	 Bolt Ø1/4 "x1-3/4 "	8pcs
F	 Allen Wrench 4MM	1pc
G	 Open Wrench Ø5/16"	1pc