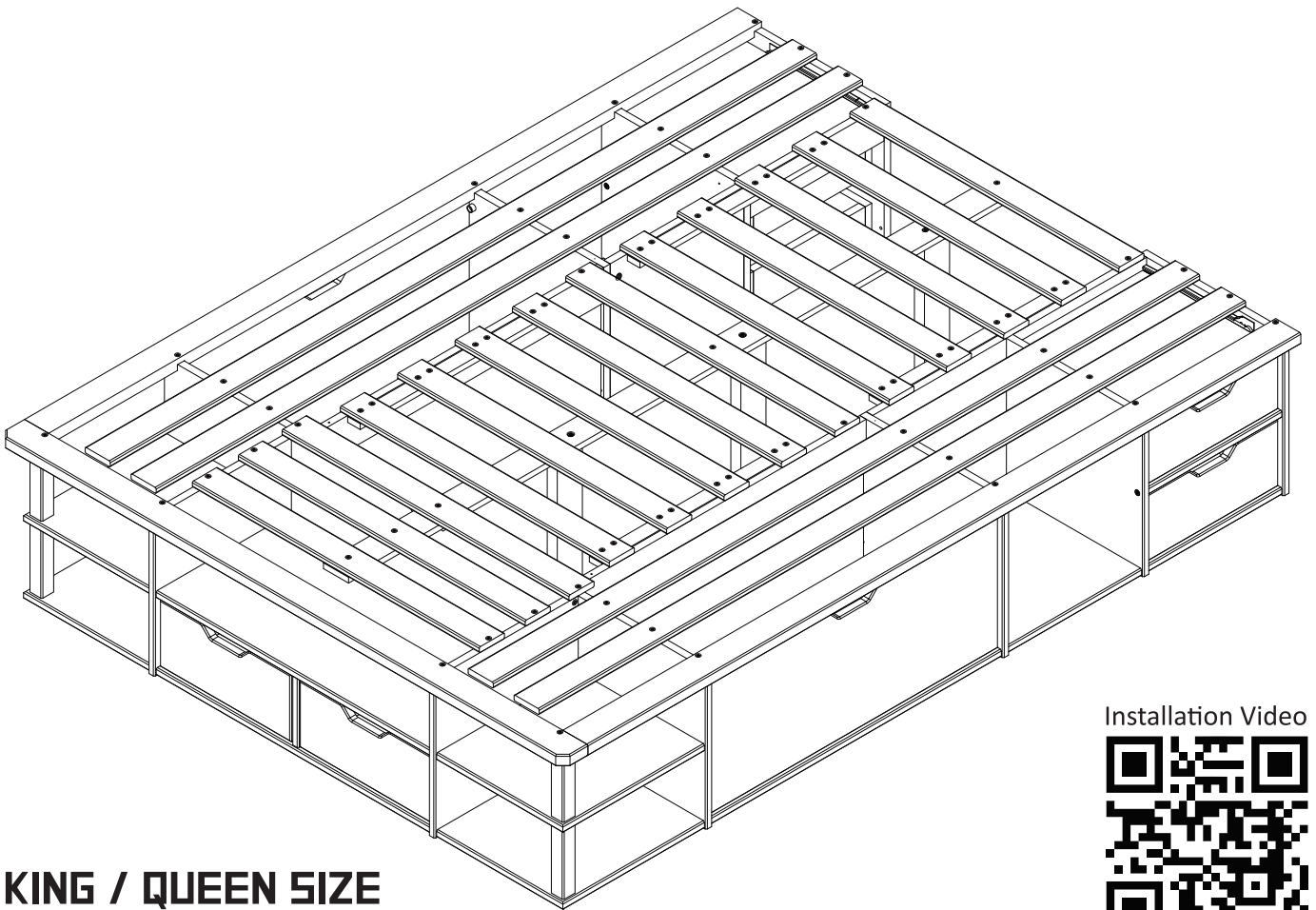




CAPRI STORAGE FRAME BED INSTALLATION MANUAL



KING / QUEEN SIZE

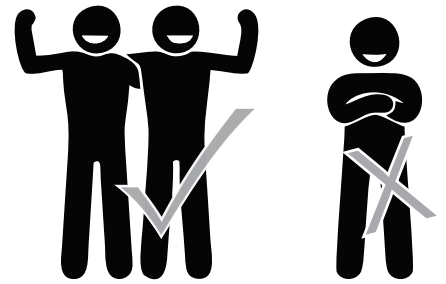
Installation Video



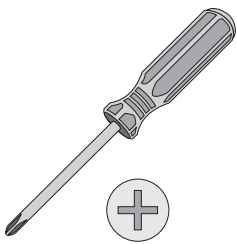
Thank you for choosing this LETTO Company product!
At LETTO we strive to provide you with the best quality products and customer service. If you have any issues, please don't hesitate to contact us: support@lettocompany.com

- Check items included to ensure that all components were received undamaged. Do not use damage or defective parts and please require replacement through our customer service at: support@lettocompany.com;
- Pay attention on instructions before installation, and follow it step by step;
- We recommend assembly over a carpet or something similar to avoid scratches on the floor and bed parts;
- Adults assembly required, Keep children and pets away during the mounting. There are small components used in the construction of this unit. These loose items should be kept away from children and pets during assembly, to avoid the danger of choking;
- Do not use this product for any purpose that is not as bed. Do not exceed weight capacity. We cannot be liable for damage or injury caused by improper mounting, incorrect assembly or inappropriate use;
- Preserving this document is essential for the proper maintenance of your furniture.

*Always start assembly with the fluted dowels.



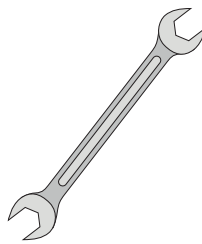
Tools Needed (NOT Included)



Phillips Screwdriver

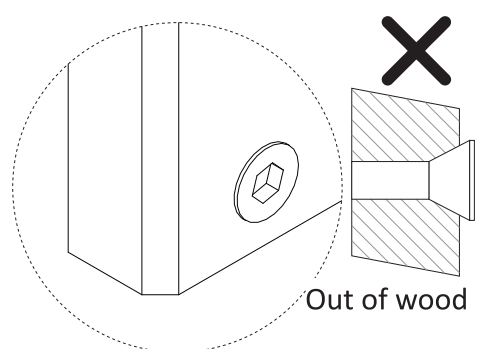
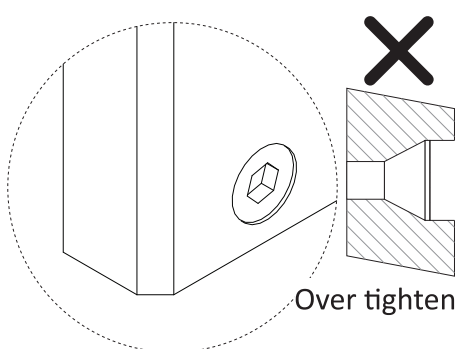
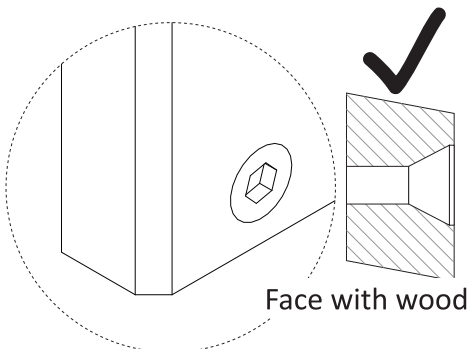


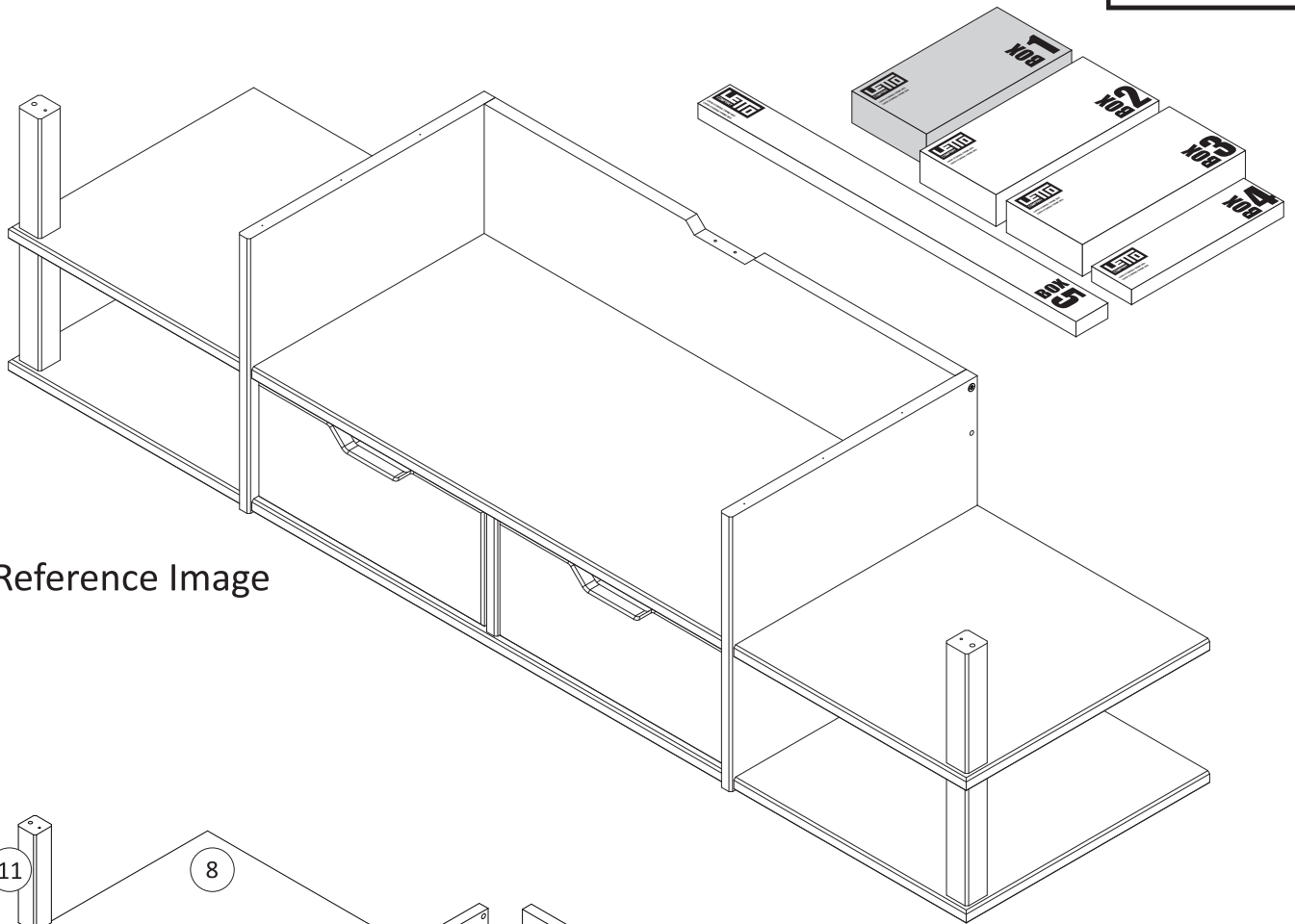
Rubber Hammer



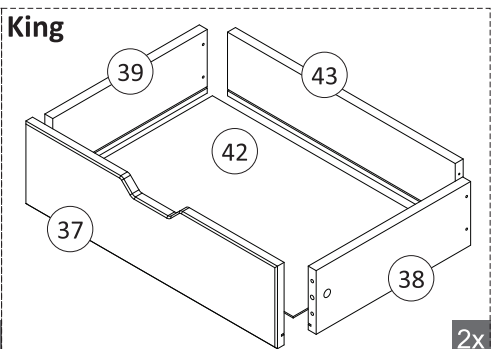
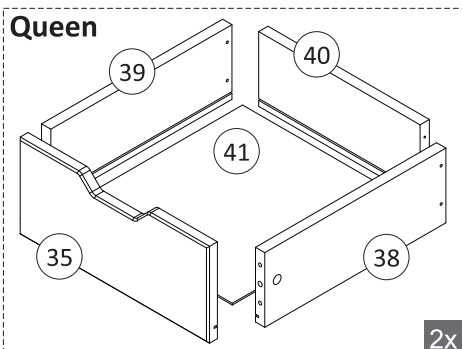
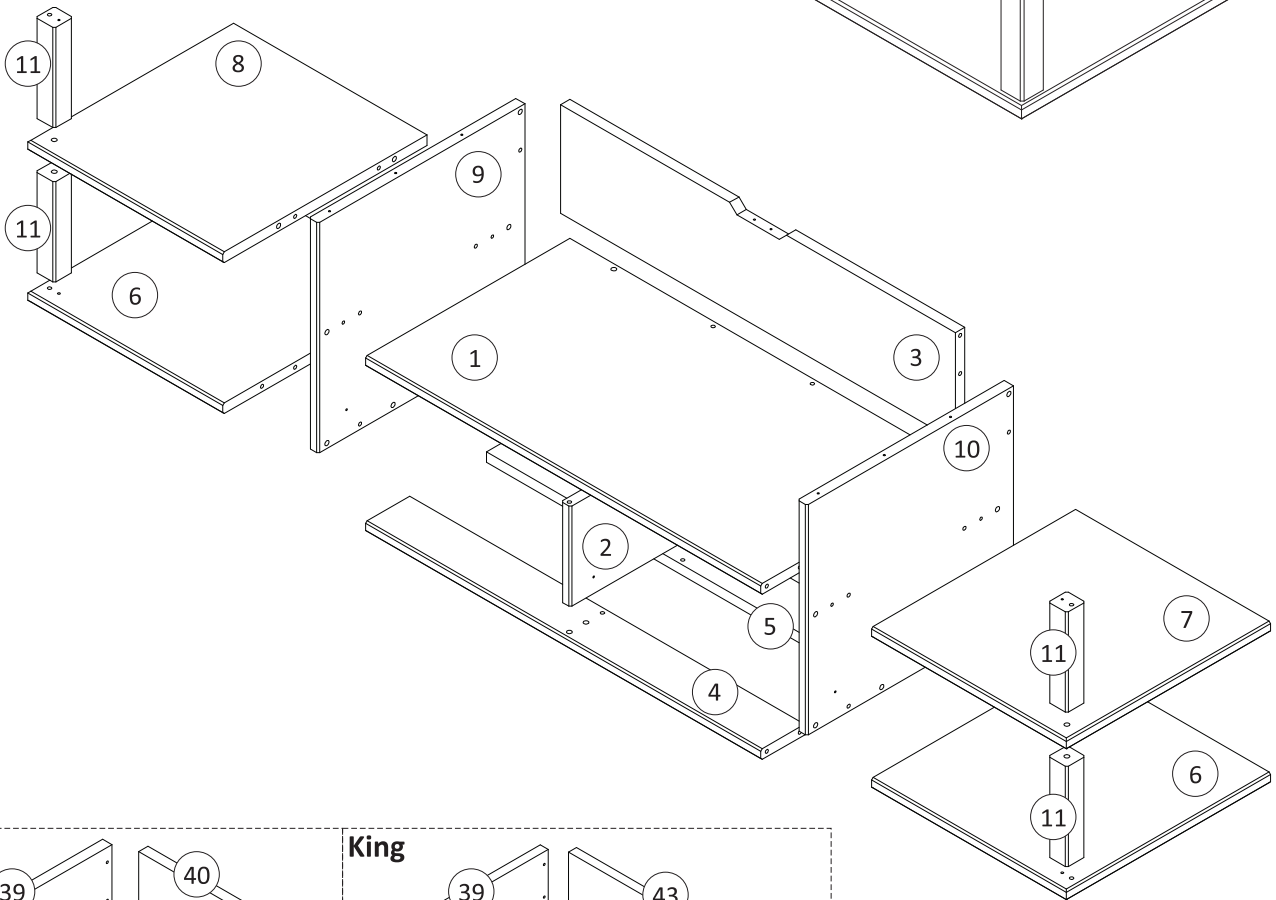
Wrench 7/16"

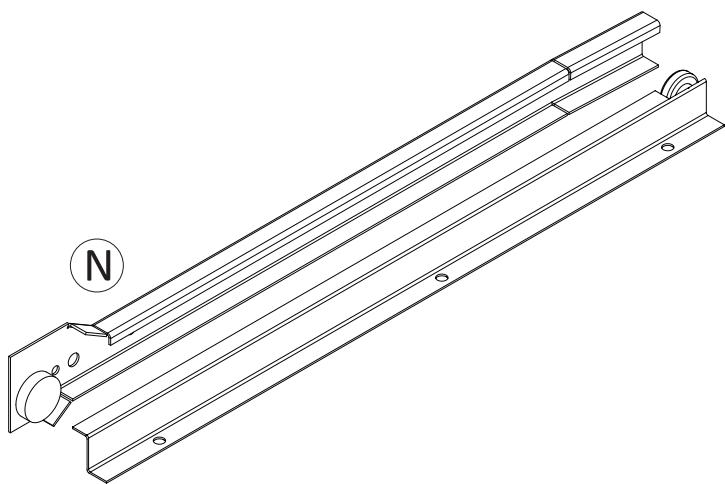
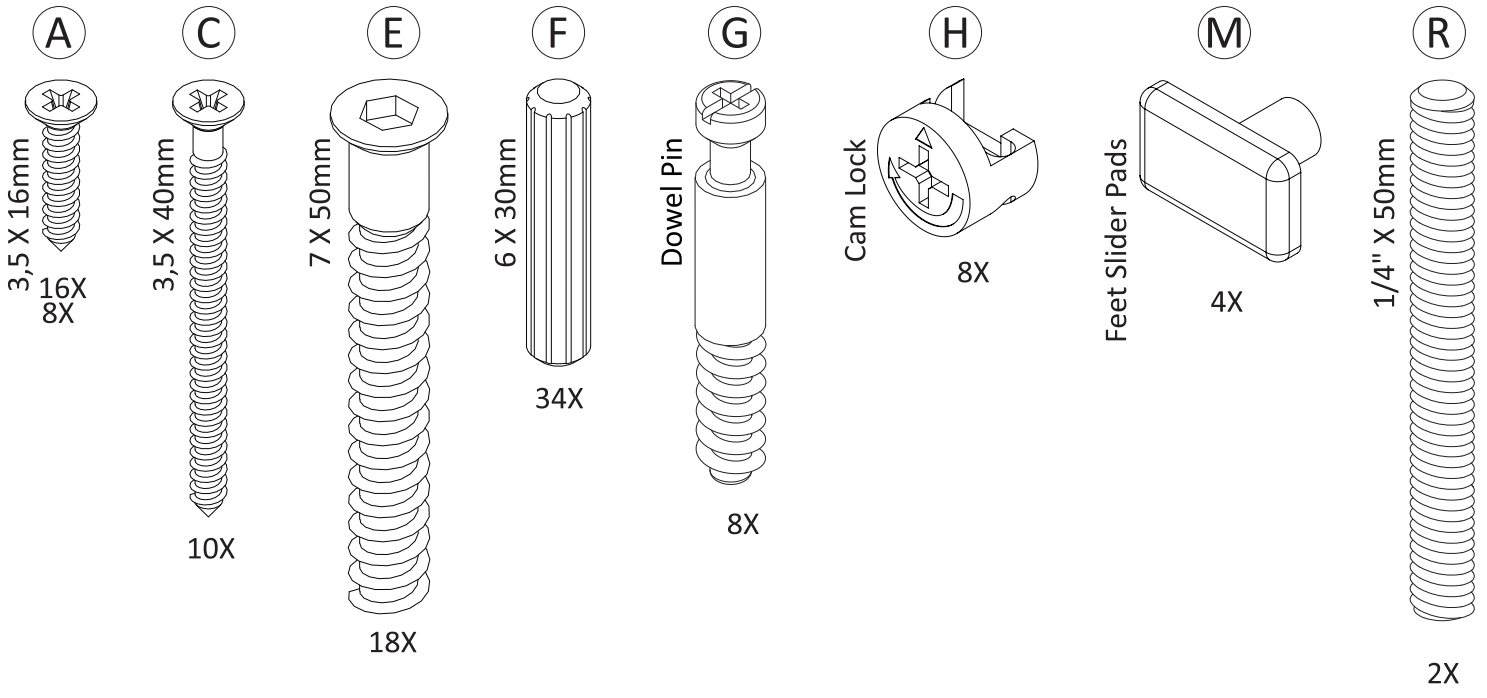
How far to tighten the screws :



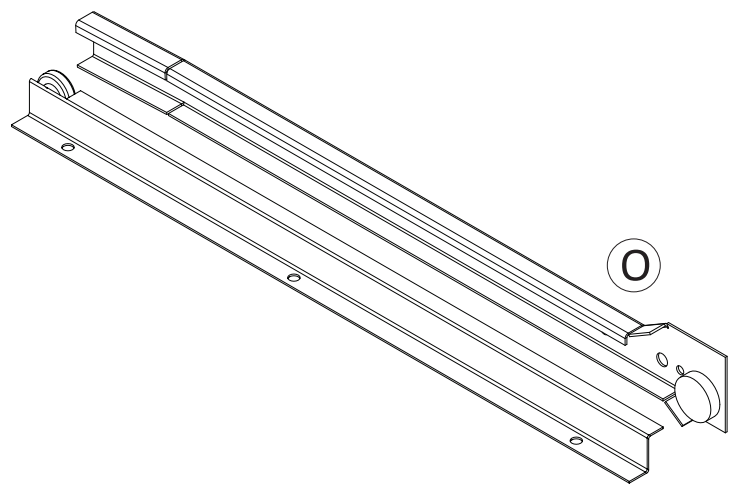


Reference Image

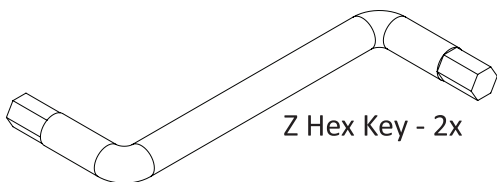




Left Drawer Slides - 1x

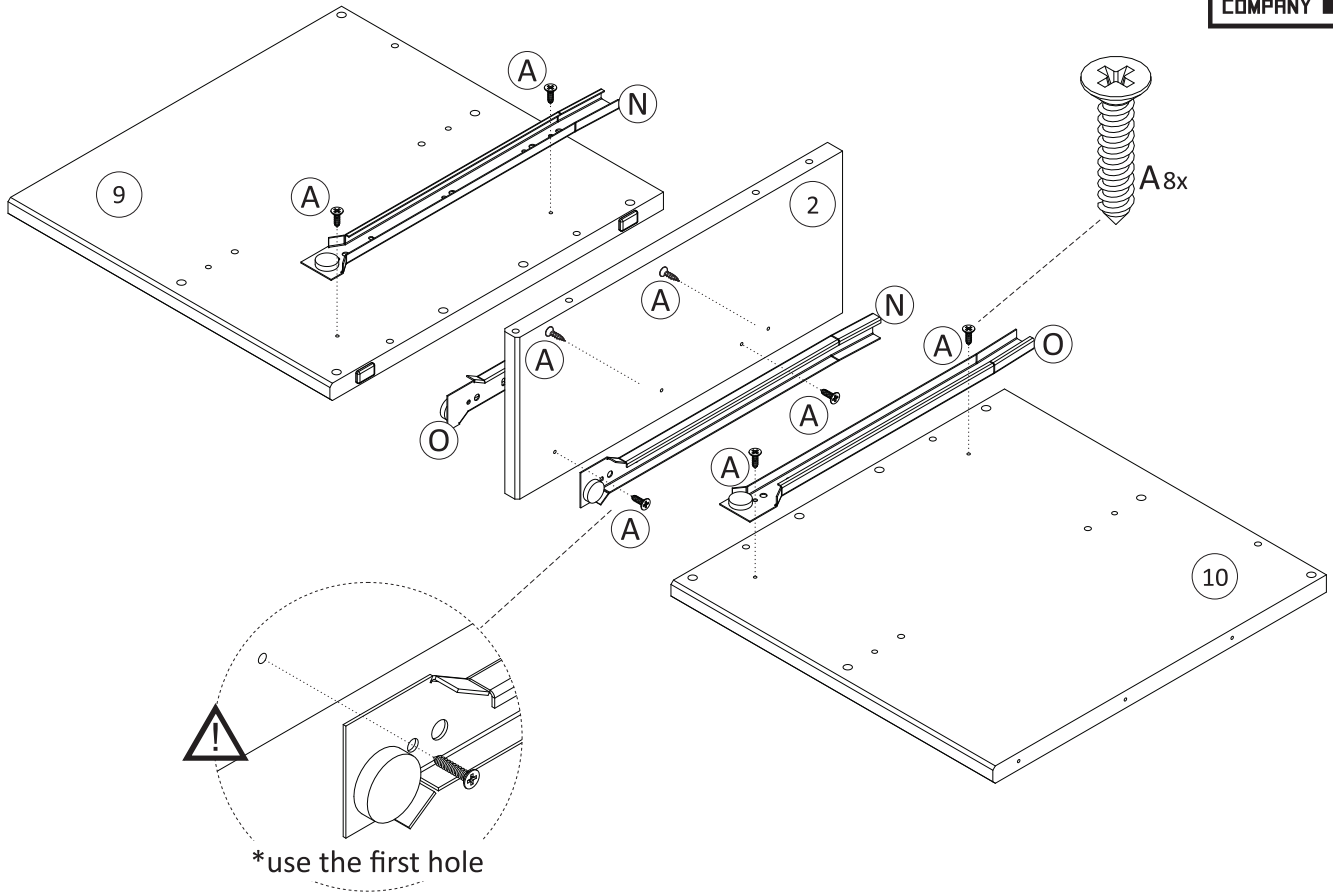


Right Drawer Slides - 1x

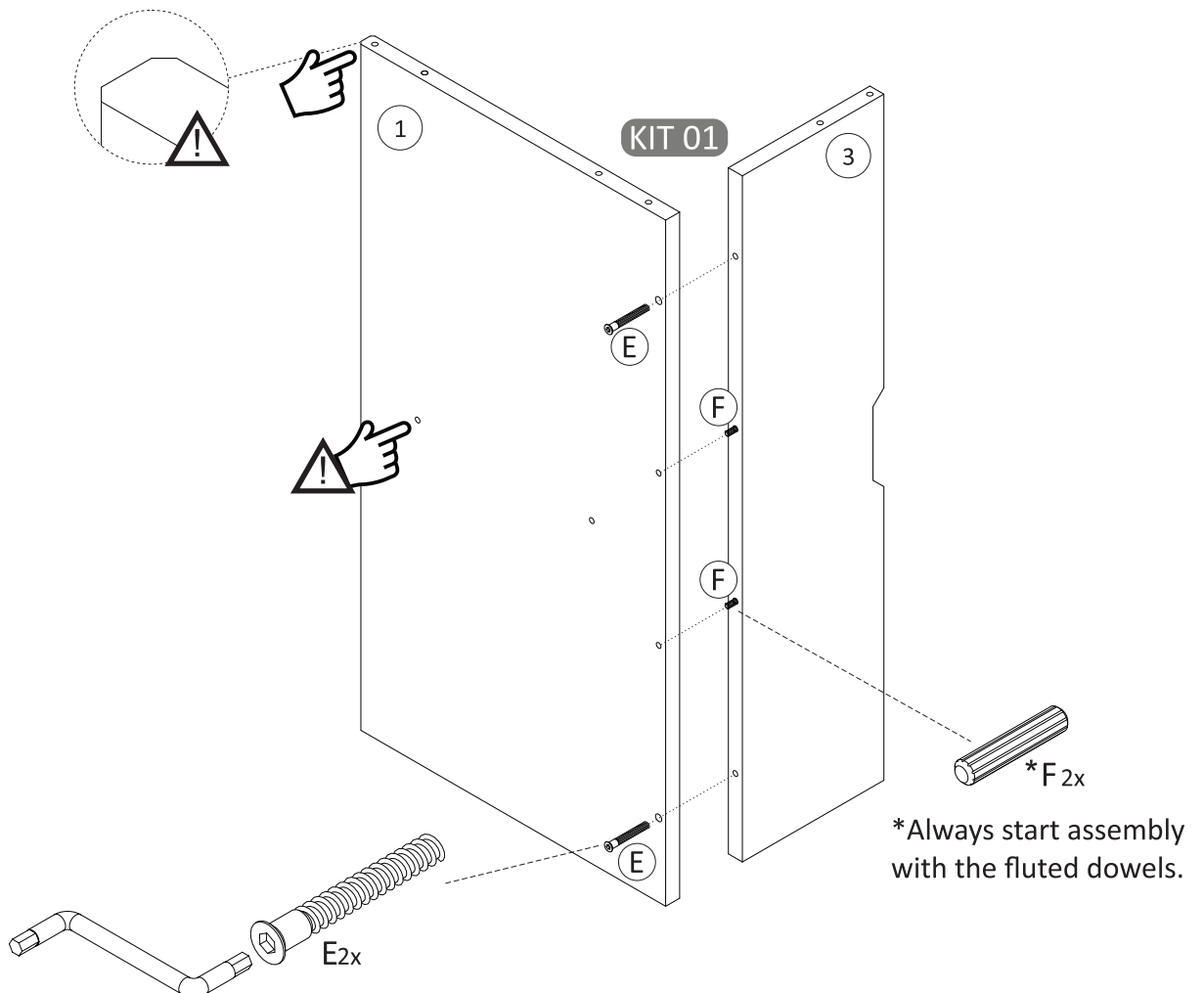


Z Hex Key - 2x

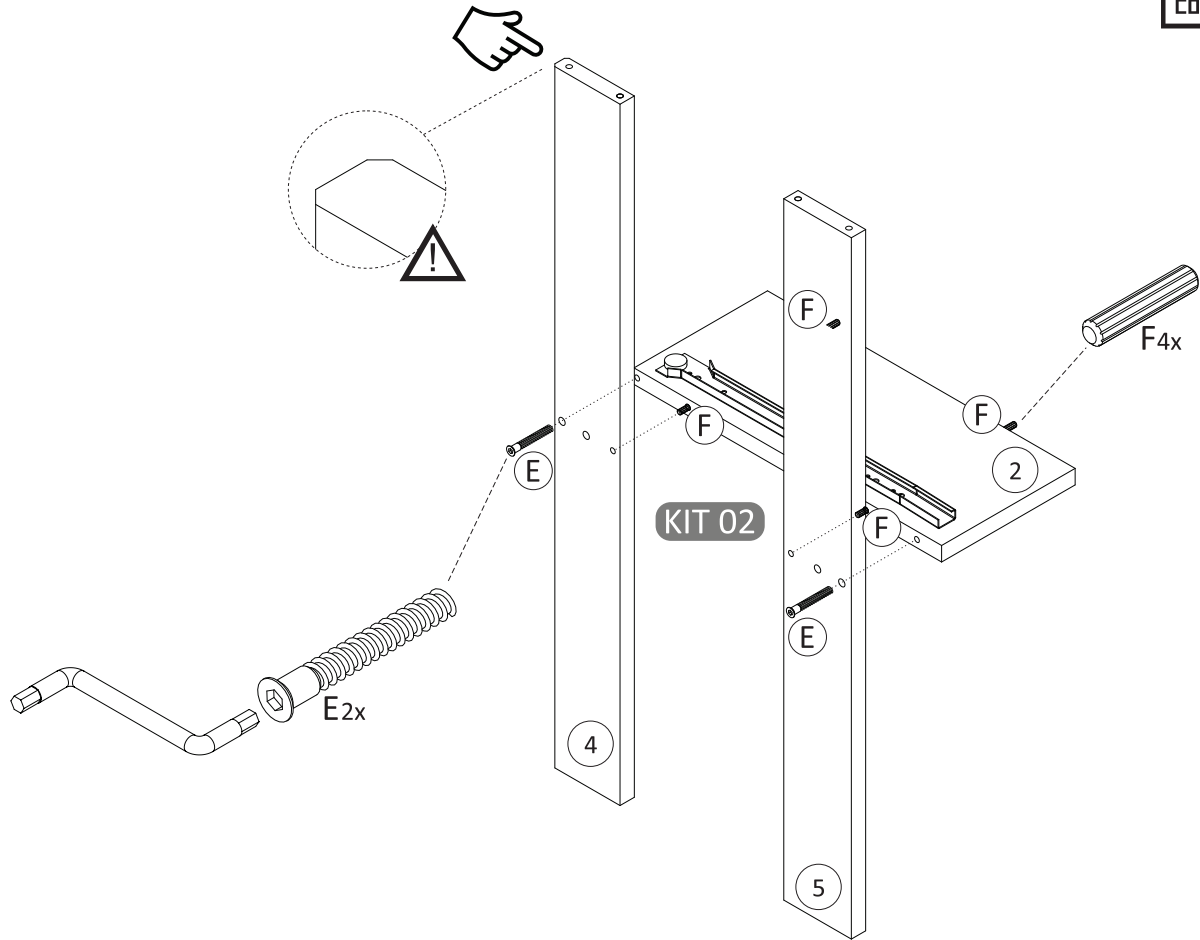
1



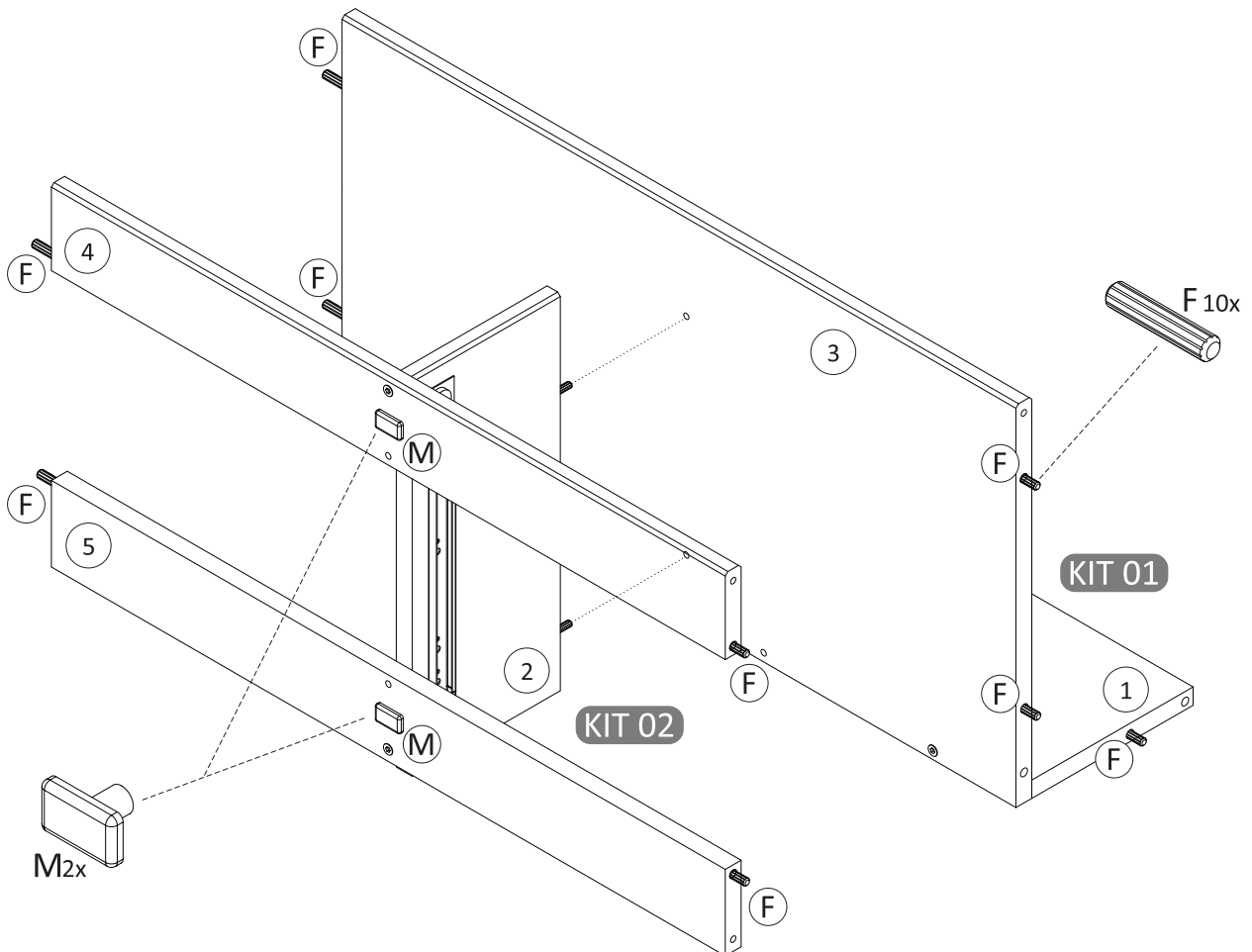
2



3

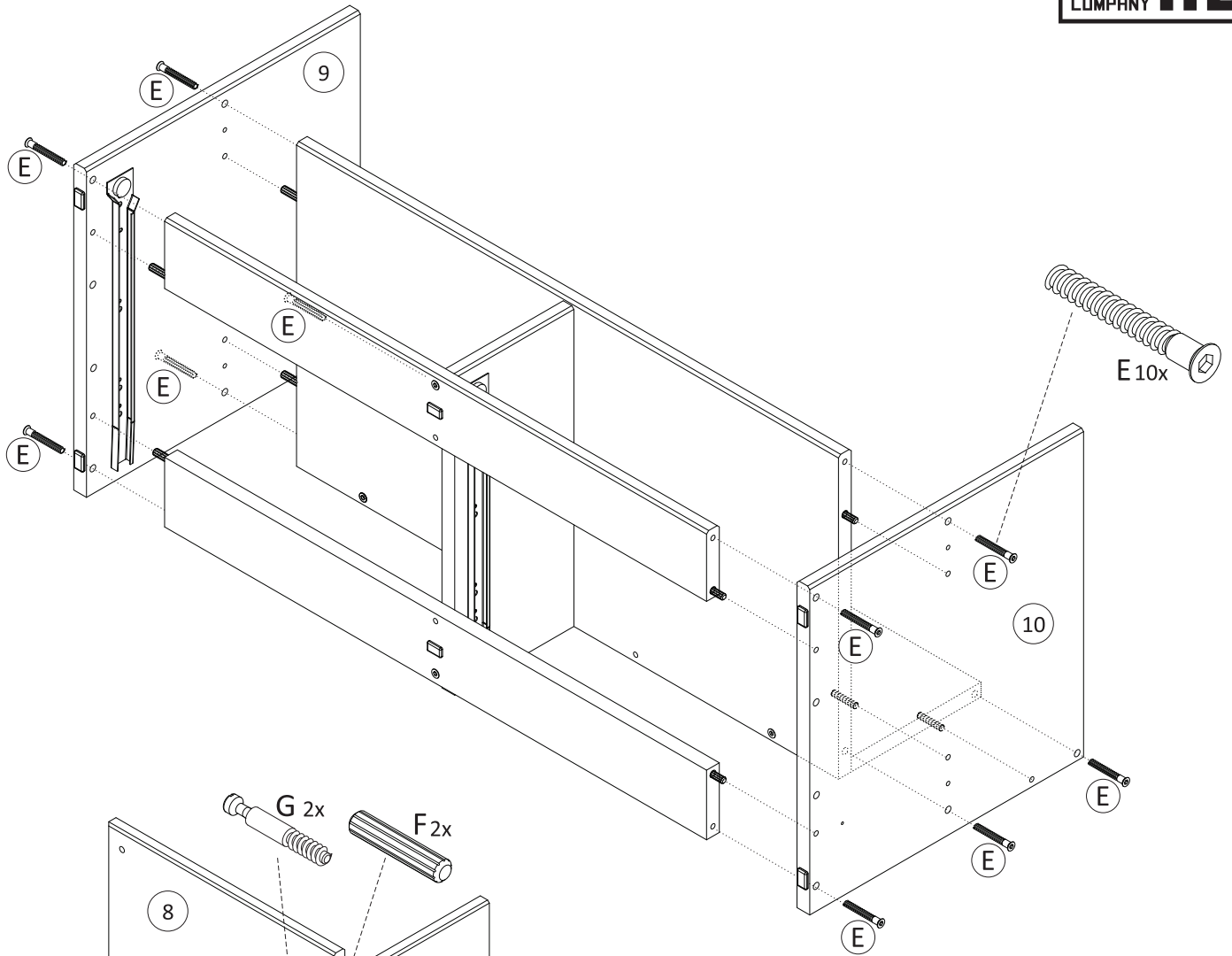


4

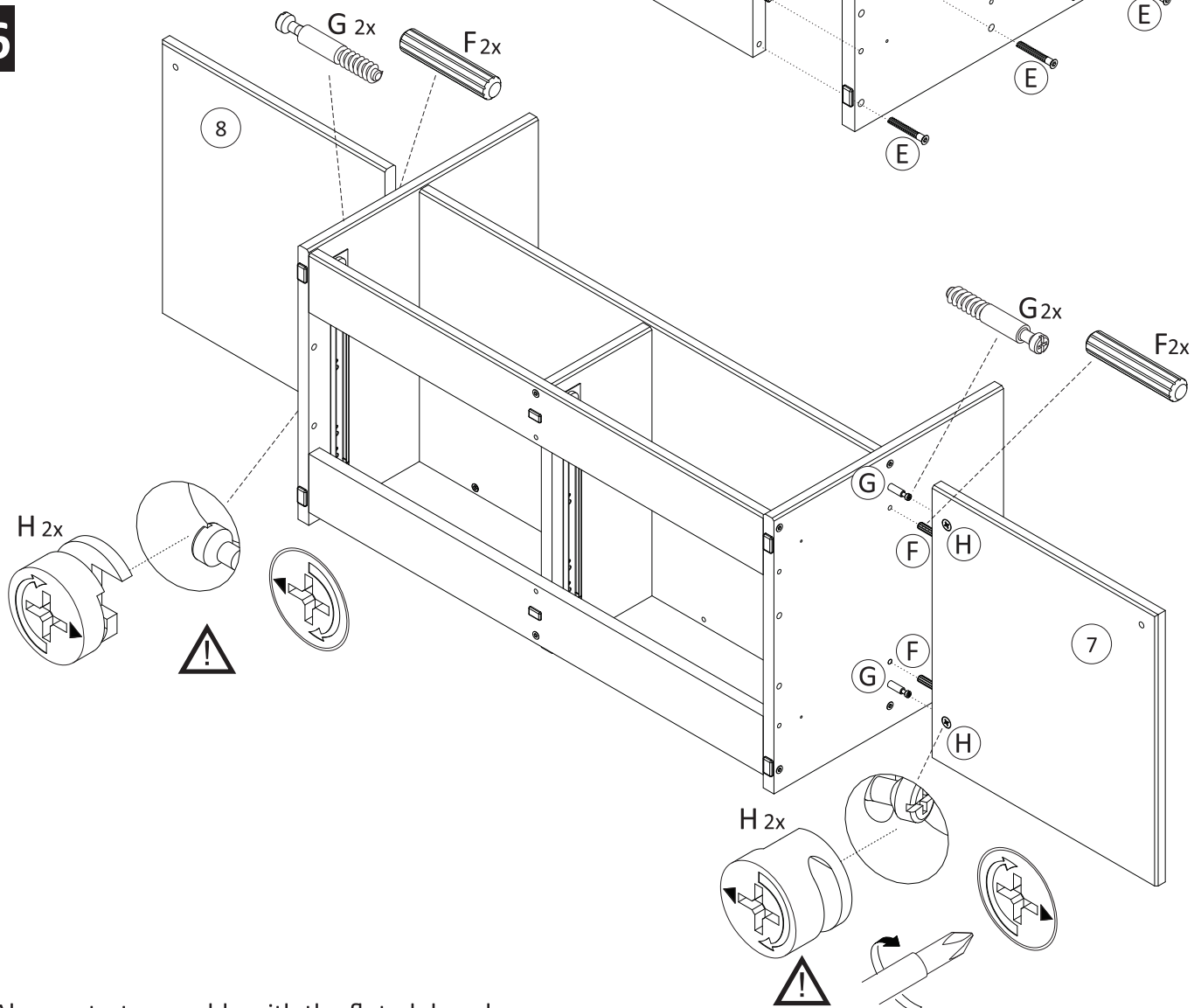


*Always start assembly with the fluted dowels.

5

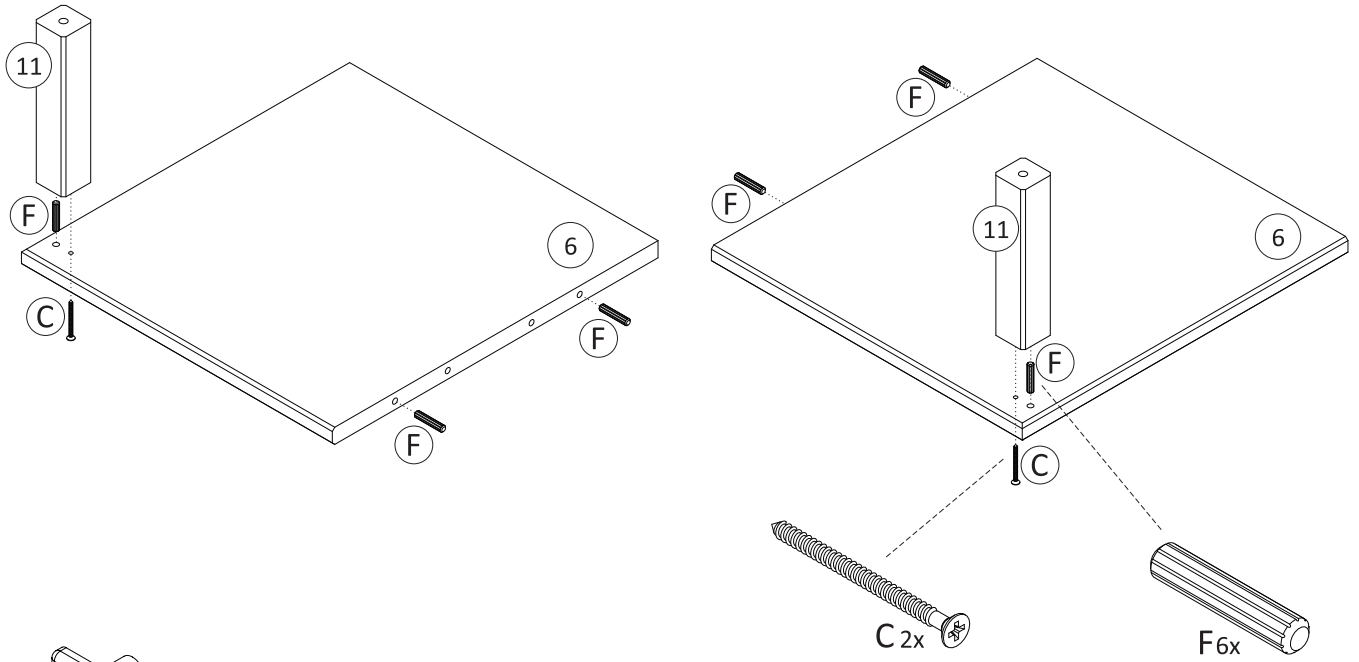


6

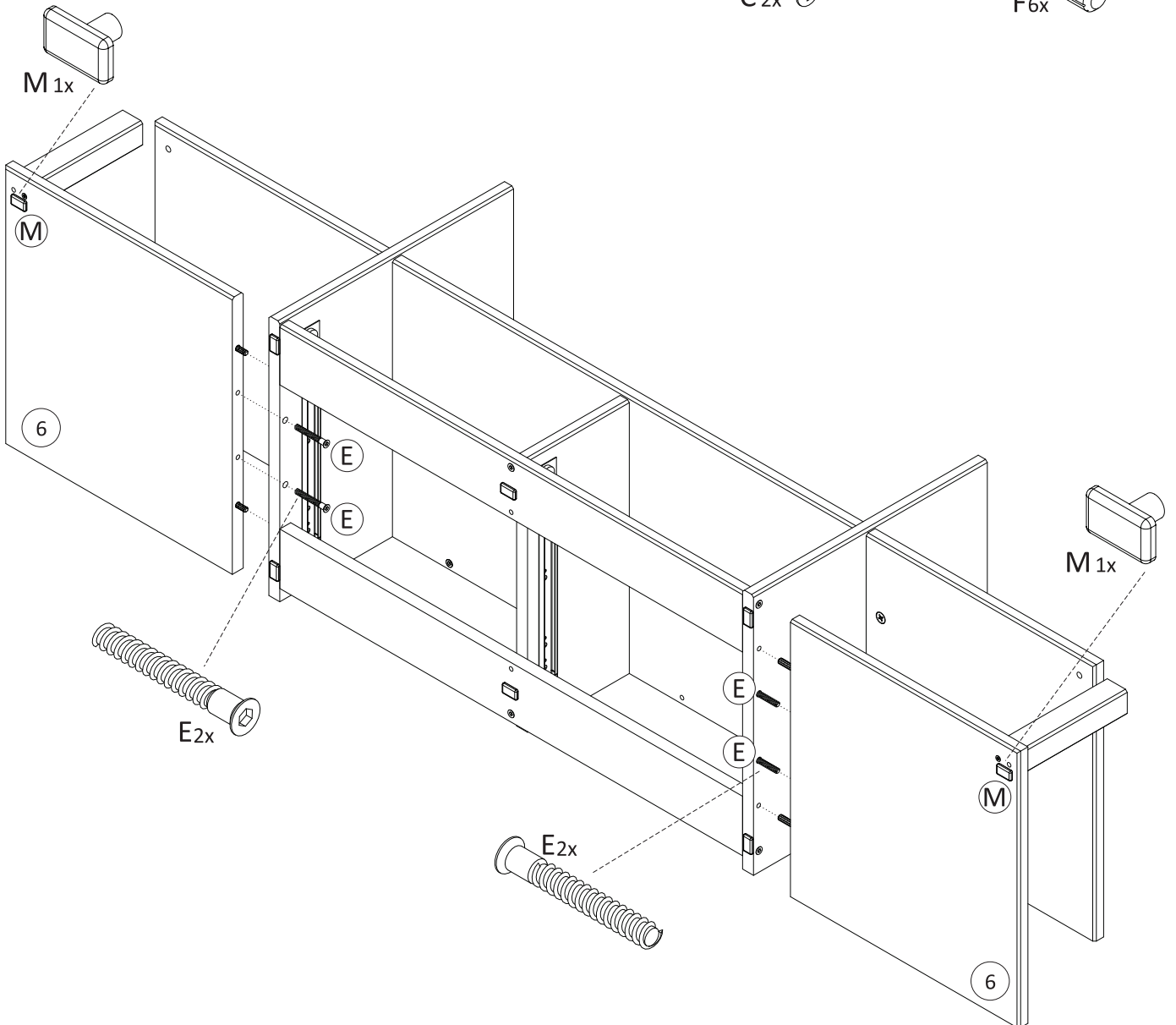


*Always start assembly with the fluted dowels.

7

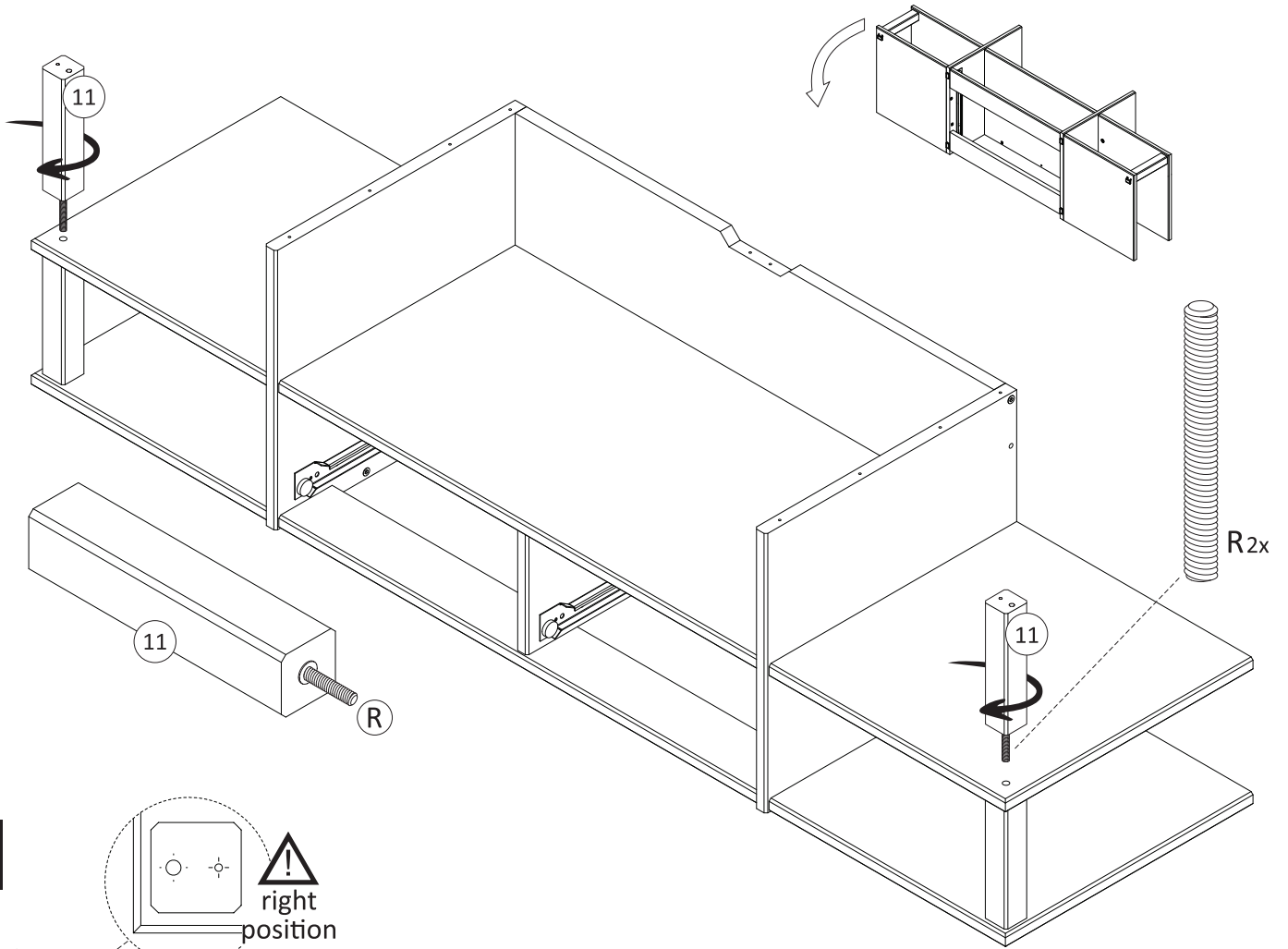


8

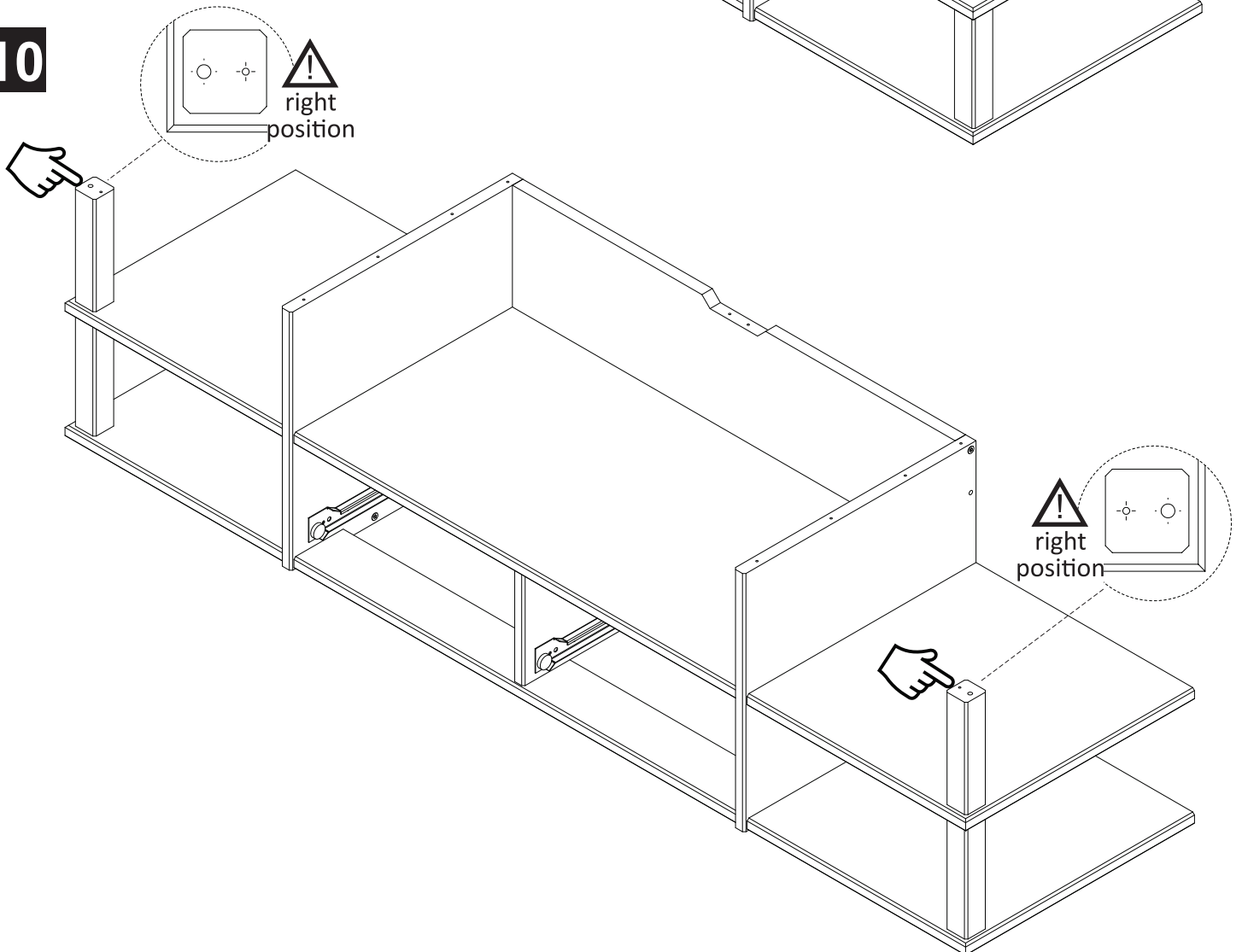


*Always start assembly with the fluted dowels.

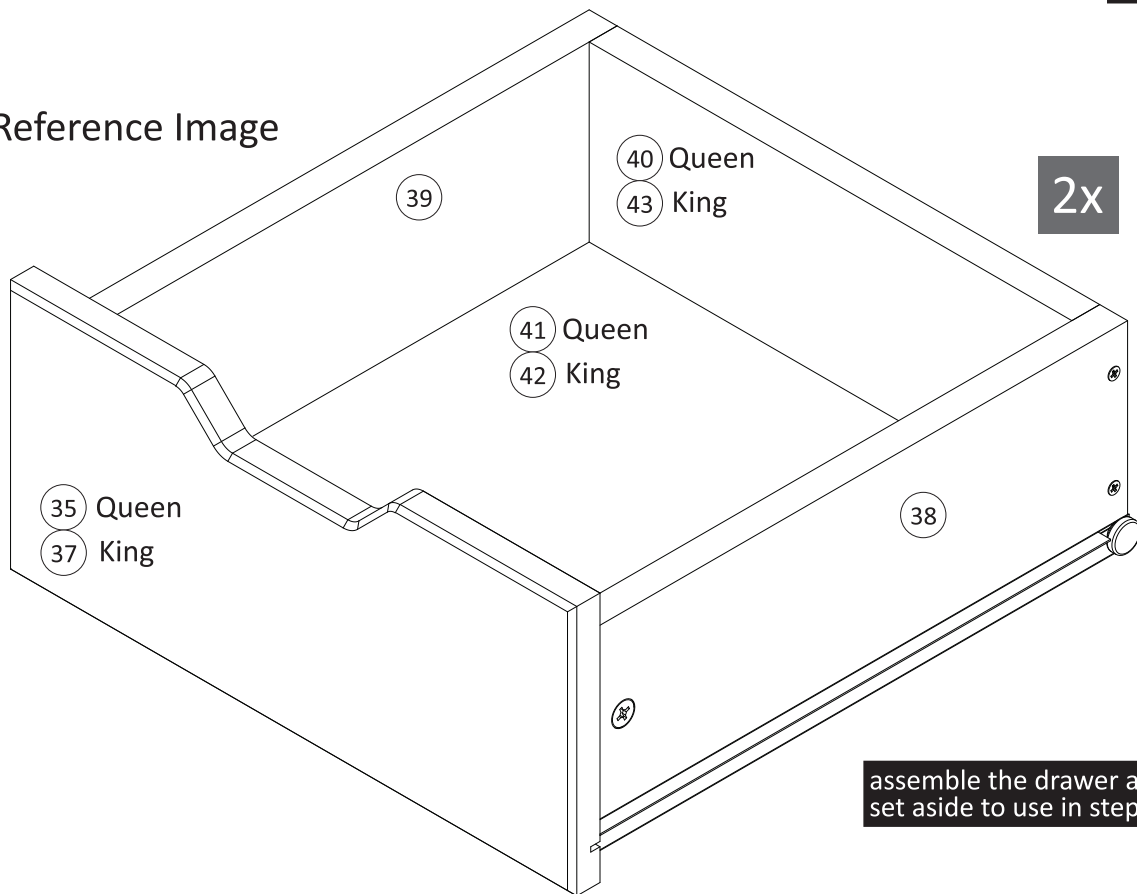
9



10

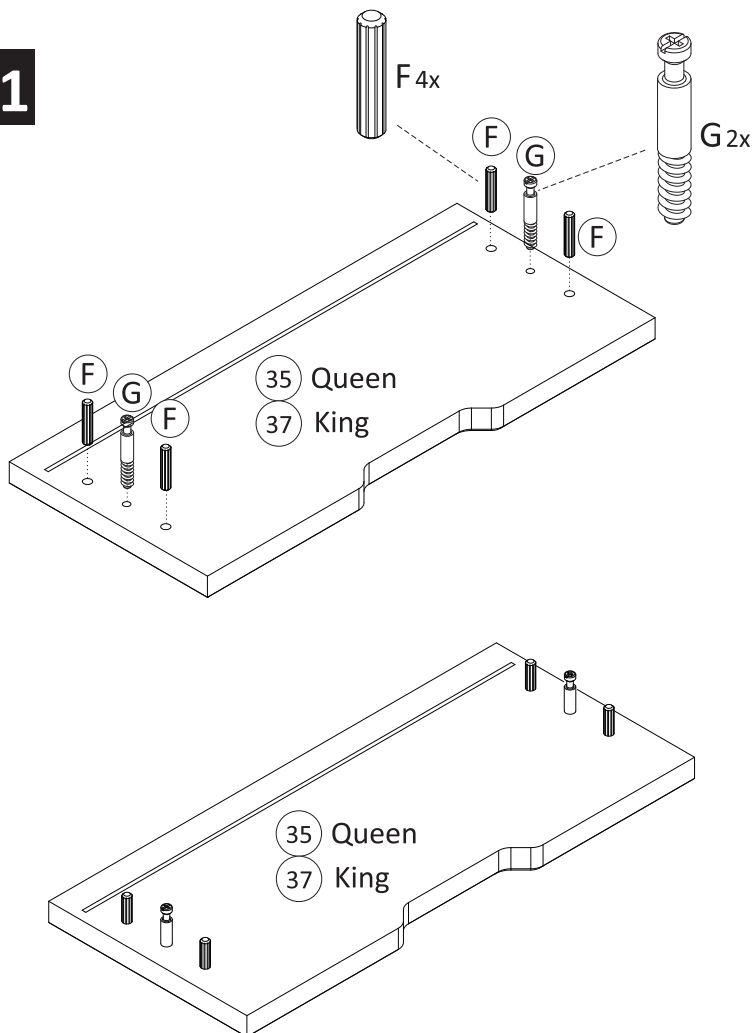


Reference Image

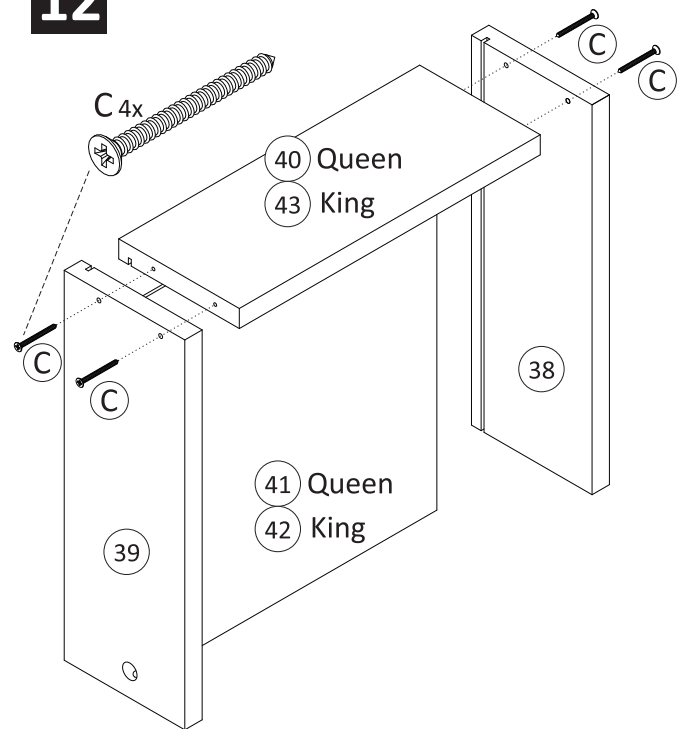


assemble the drawer and set aside to use in step 62

11

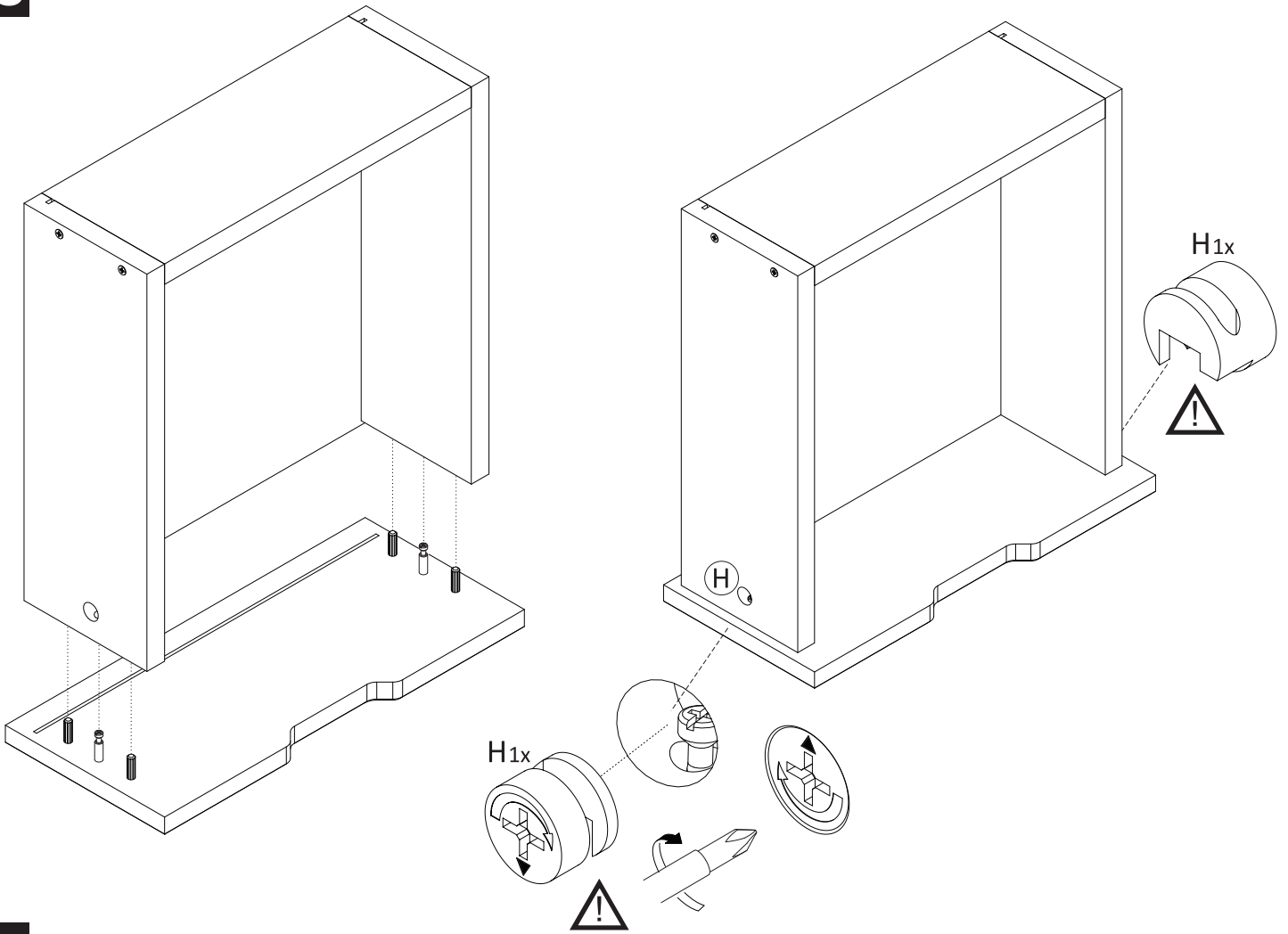


12

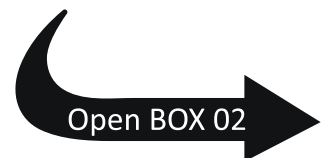
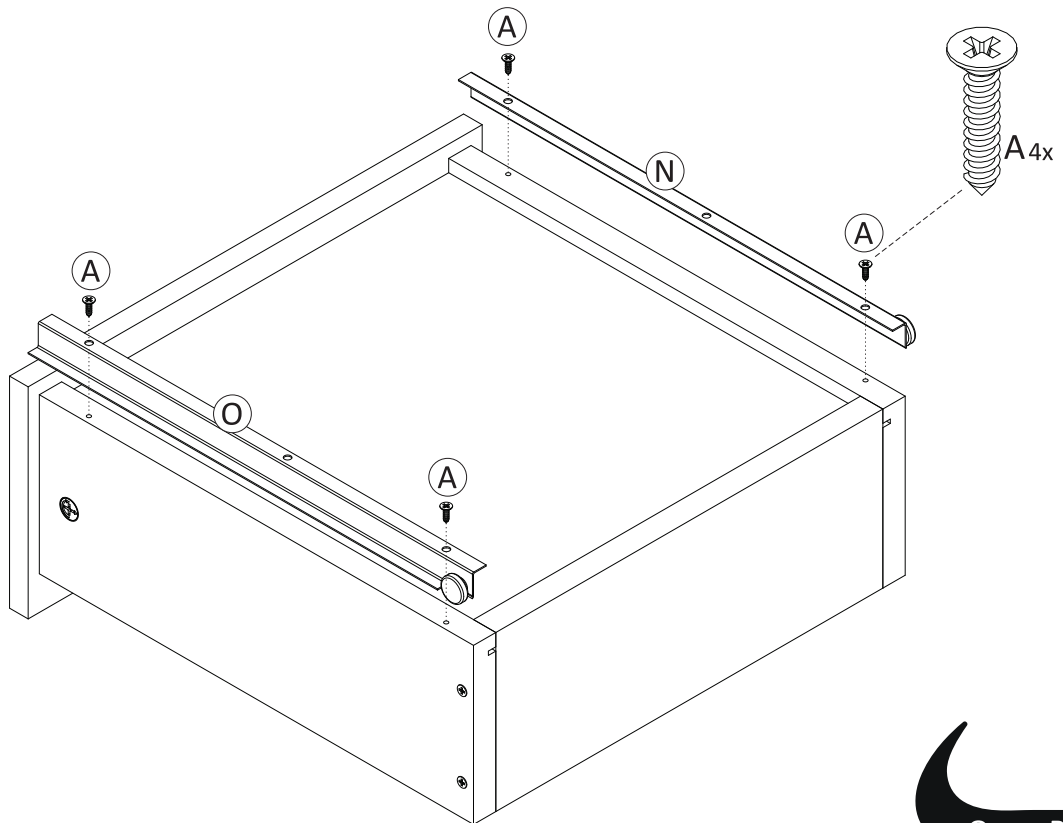


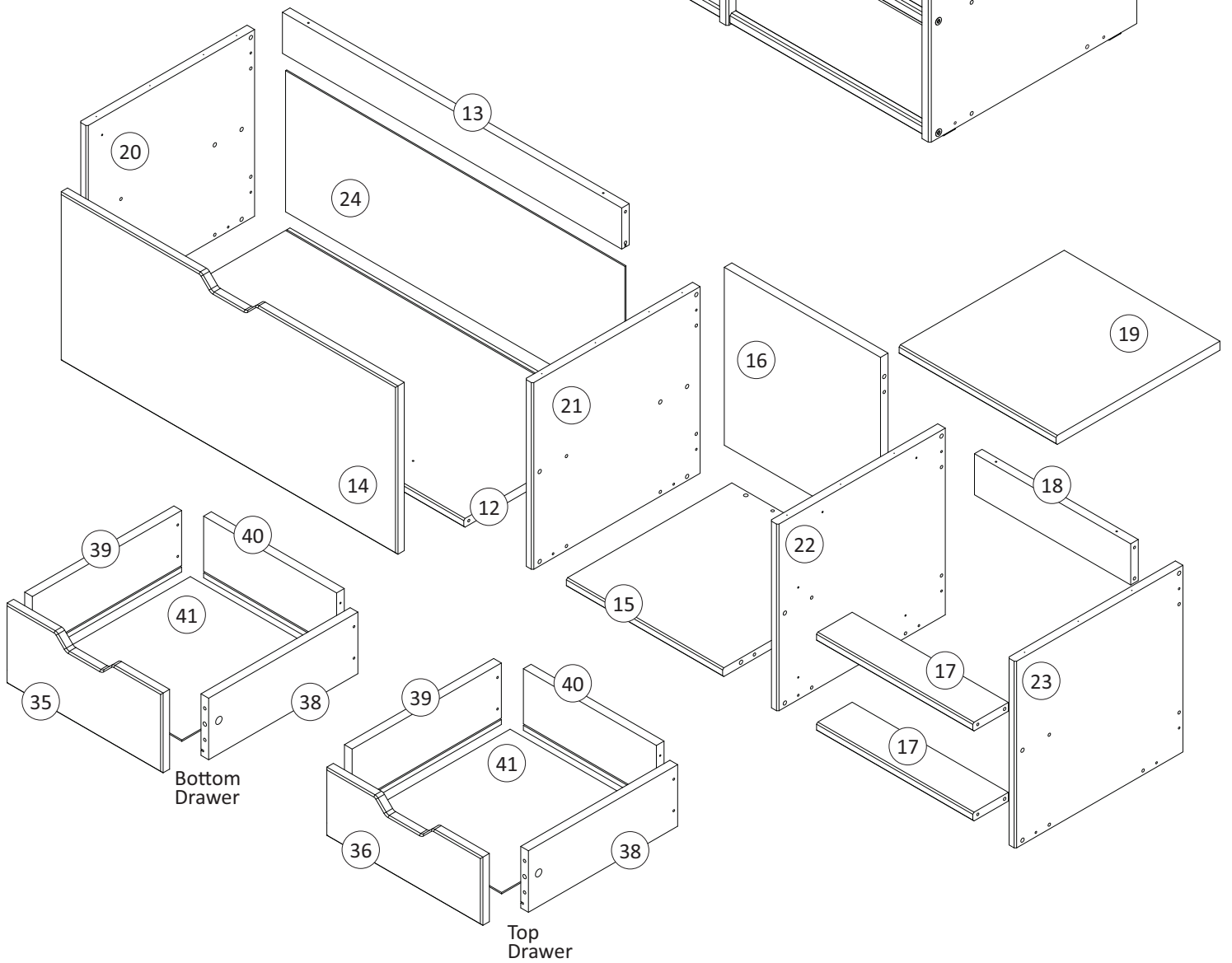
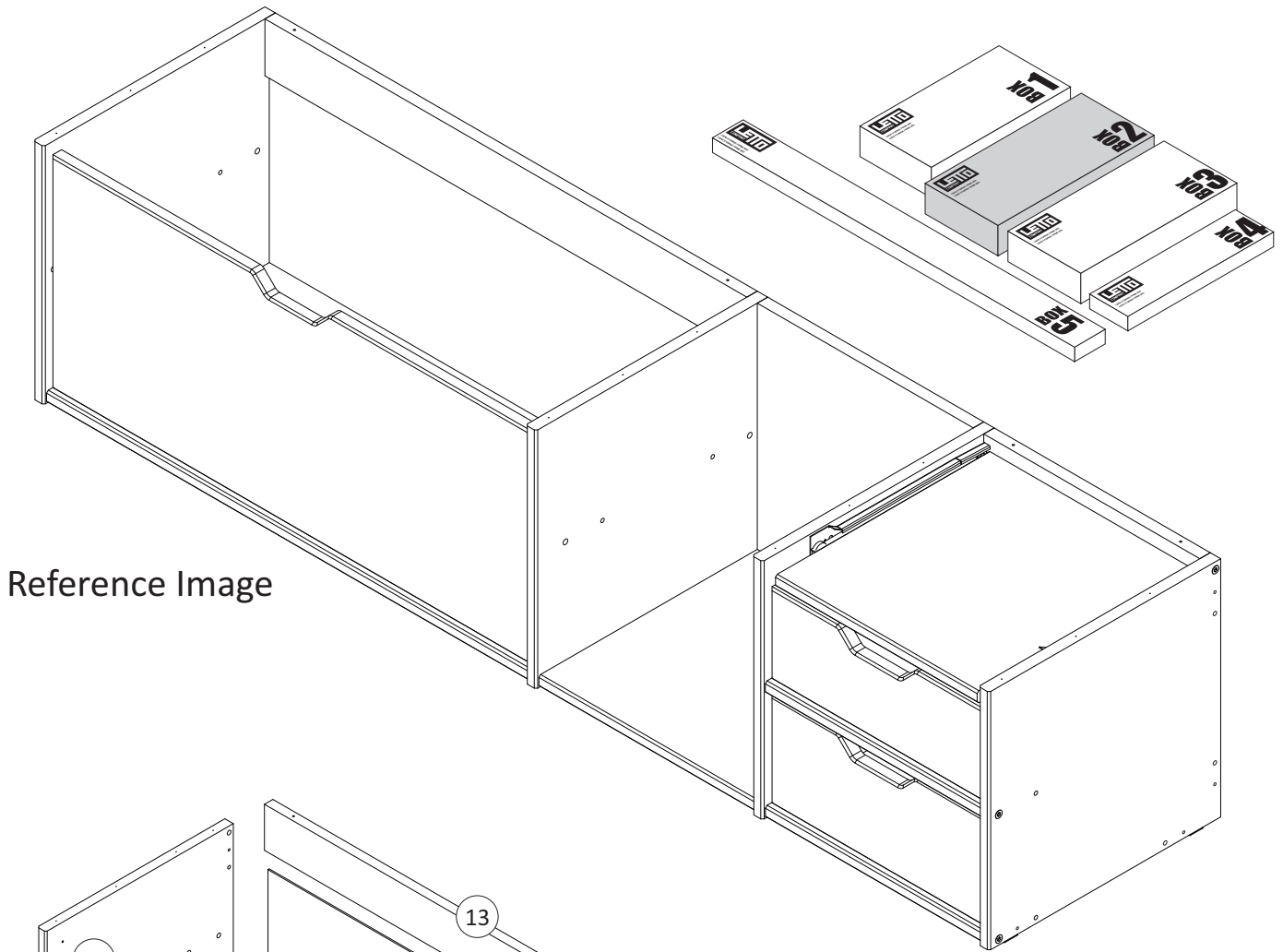
*Always start assembly with the fluted dowels.

13



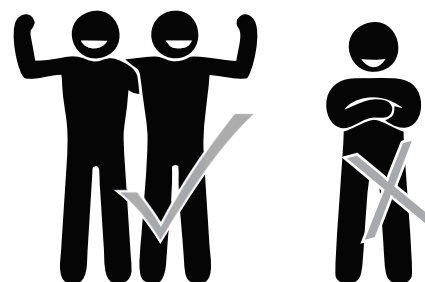
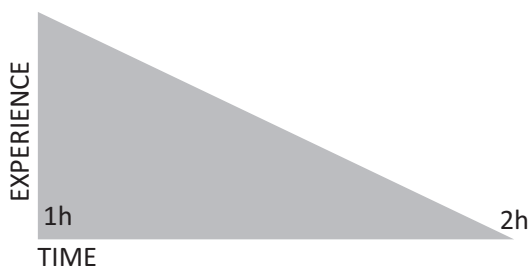
14



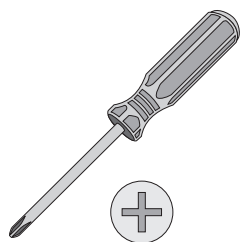


- Check items included to ensure that all components were received undamaged. Do not use damage or defective parts and please require replacement through our customer service at: **support@lettocompany.com**;
- Pay attention on instructions before installation, and follow it step by step;
- We recommend assembly over a carpet or something similar to avoid scratches on the floor and bed parts;
- Adults assembly required, Keep children and pets away during the mounting. There are small components used in the construction of this unit. These loose items should be kept away from children and pets during assembly, to avoid the danger of choking;
- Do not use this product for any purpose that is not as bed. Do not exceed weight capacity. We cannot be liable for damage or injury caused by improper mounting, incorrect assembly or inappropriate use;
- Preserving this document is essential for the proper maintenance of your furniture.

*Always start assembly with the fluted dowels.



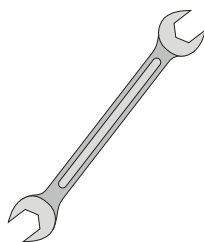
Tools Needed (NOT Included)



Phillips
Screwdriver

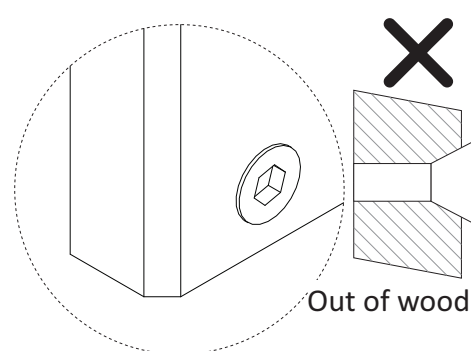
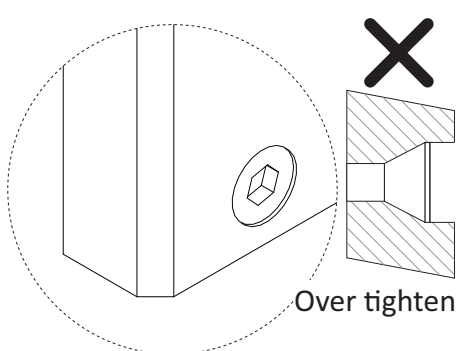
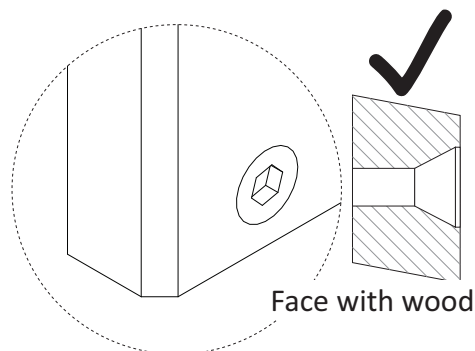


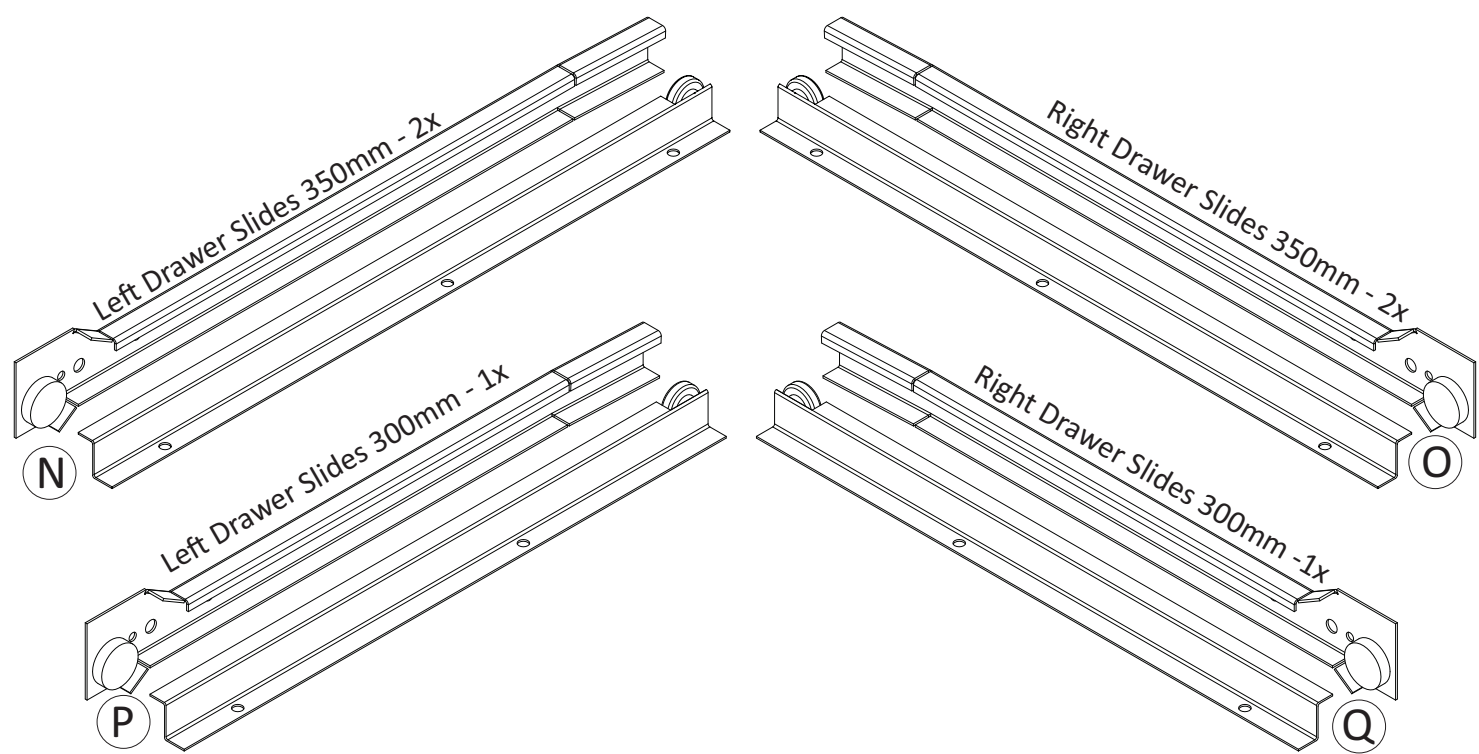
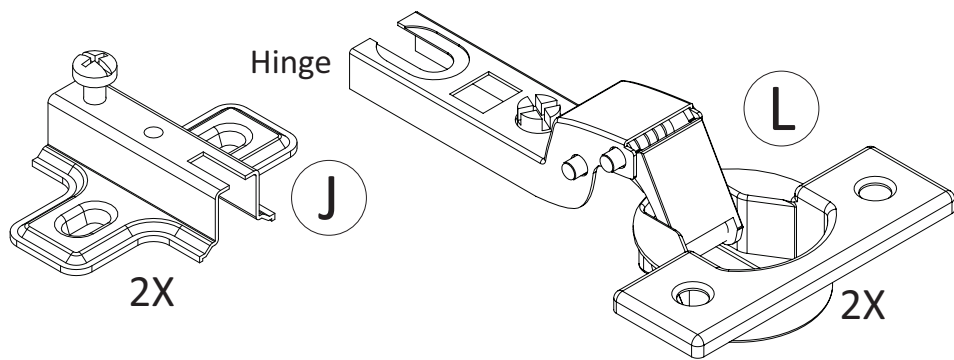
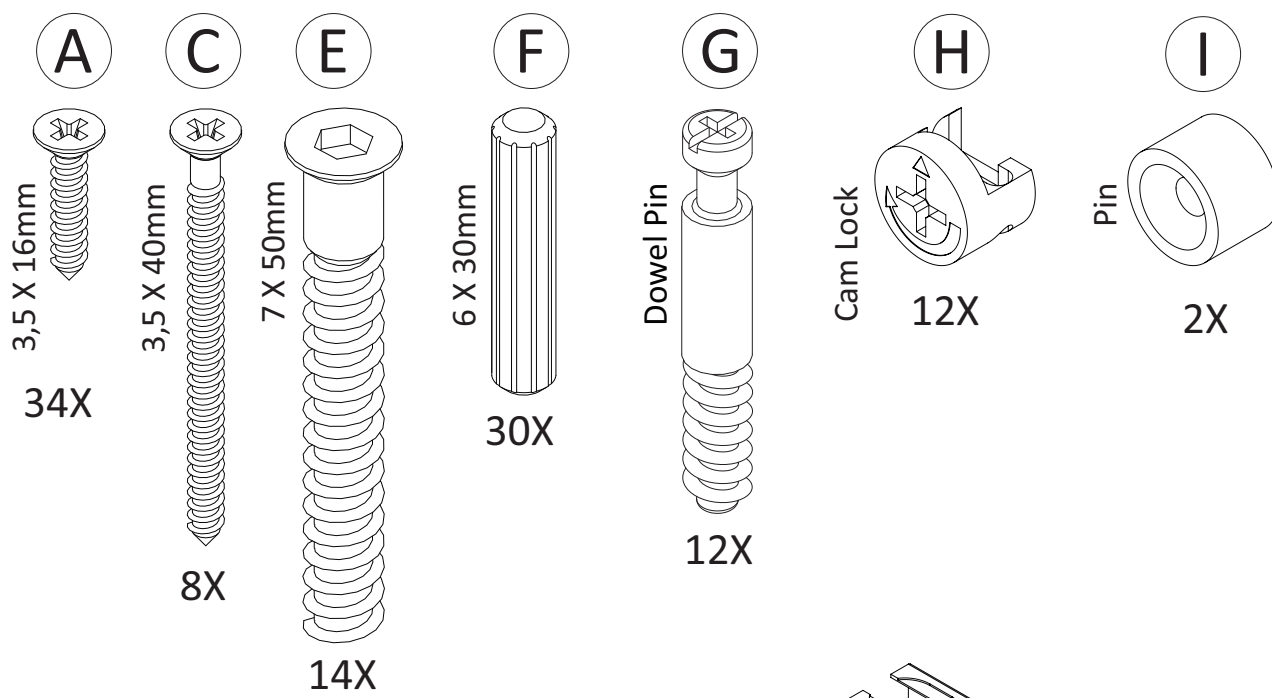
Rubber
Hammer



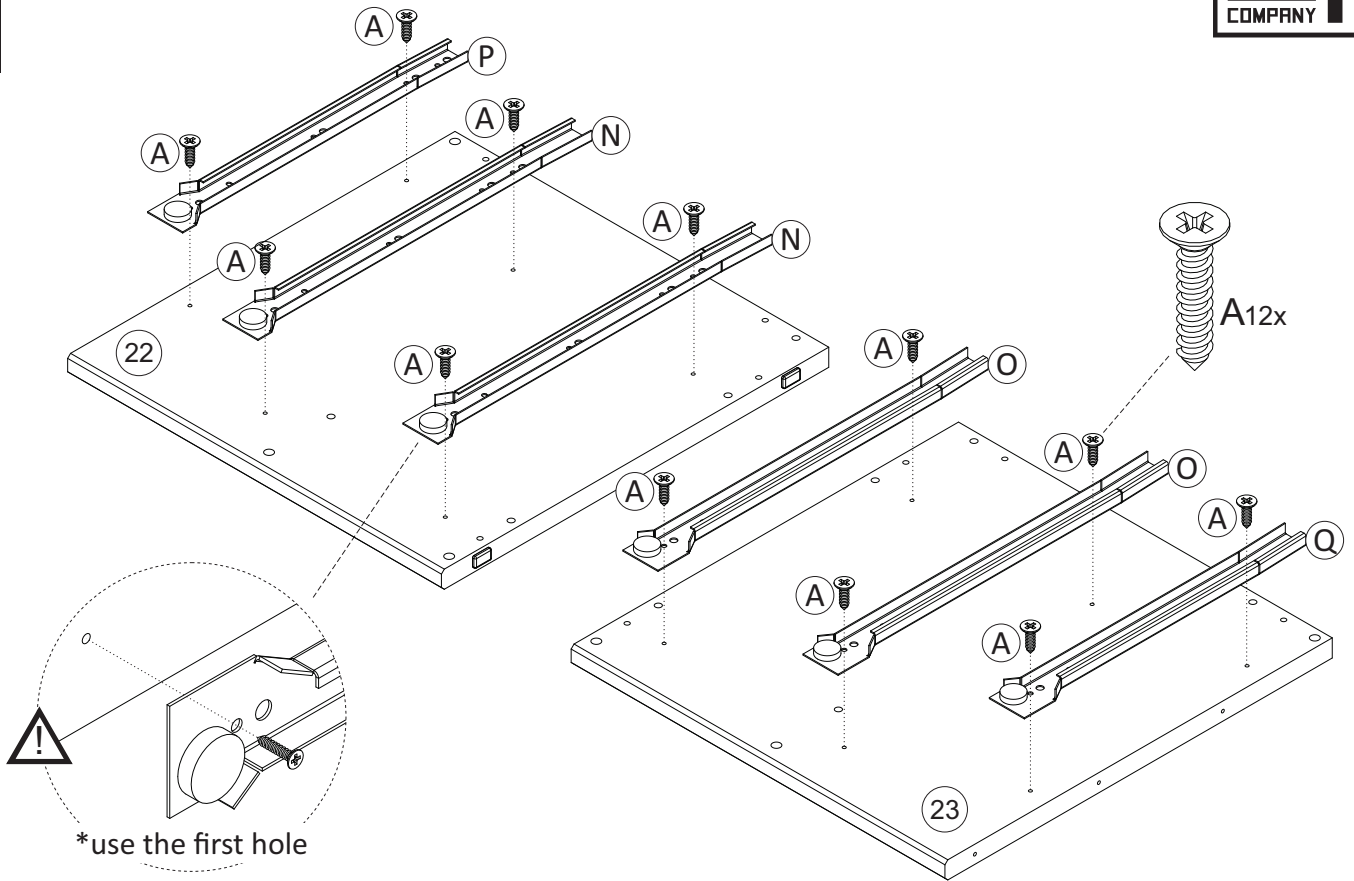
Wrench
7/16"

How far to tighten the screws :

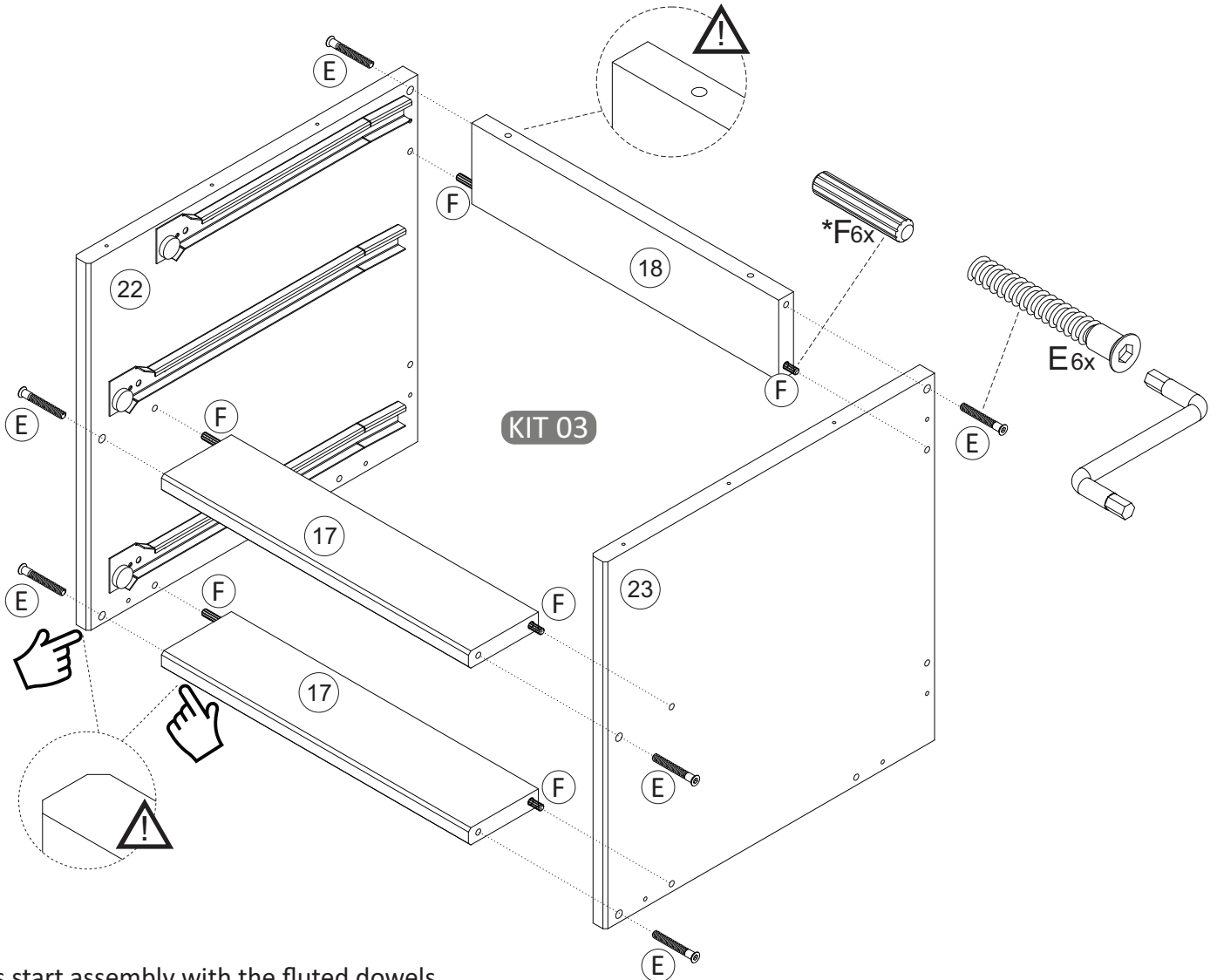




15

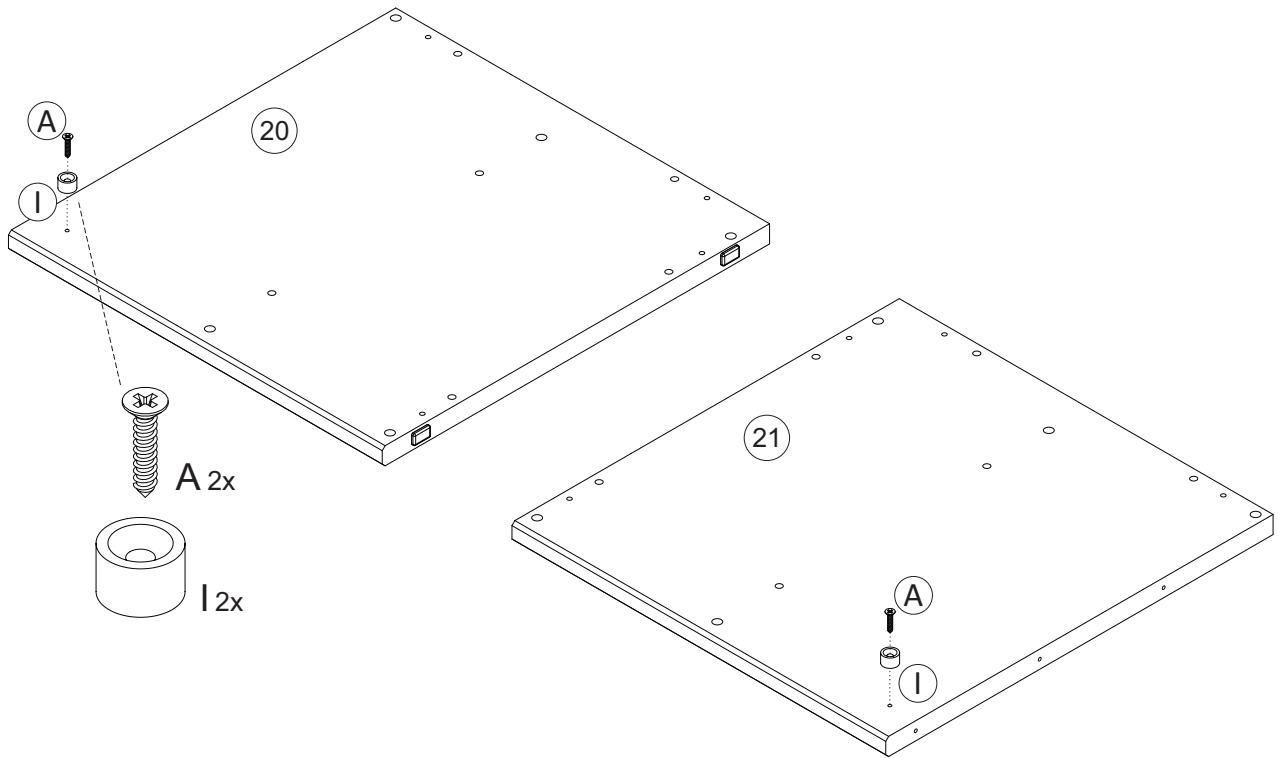


16

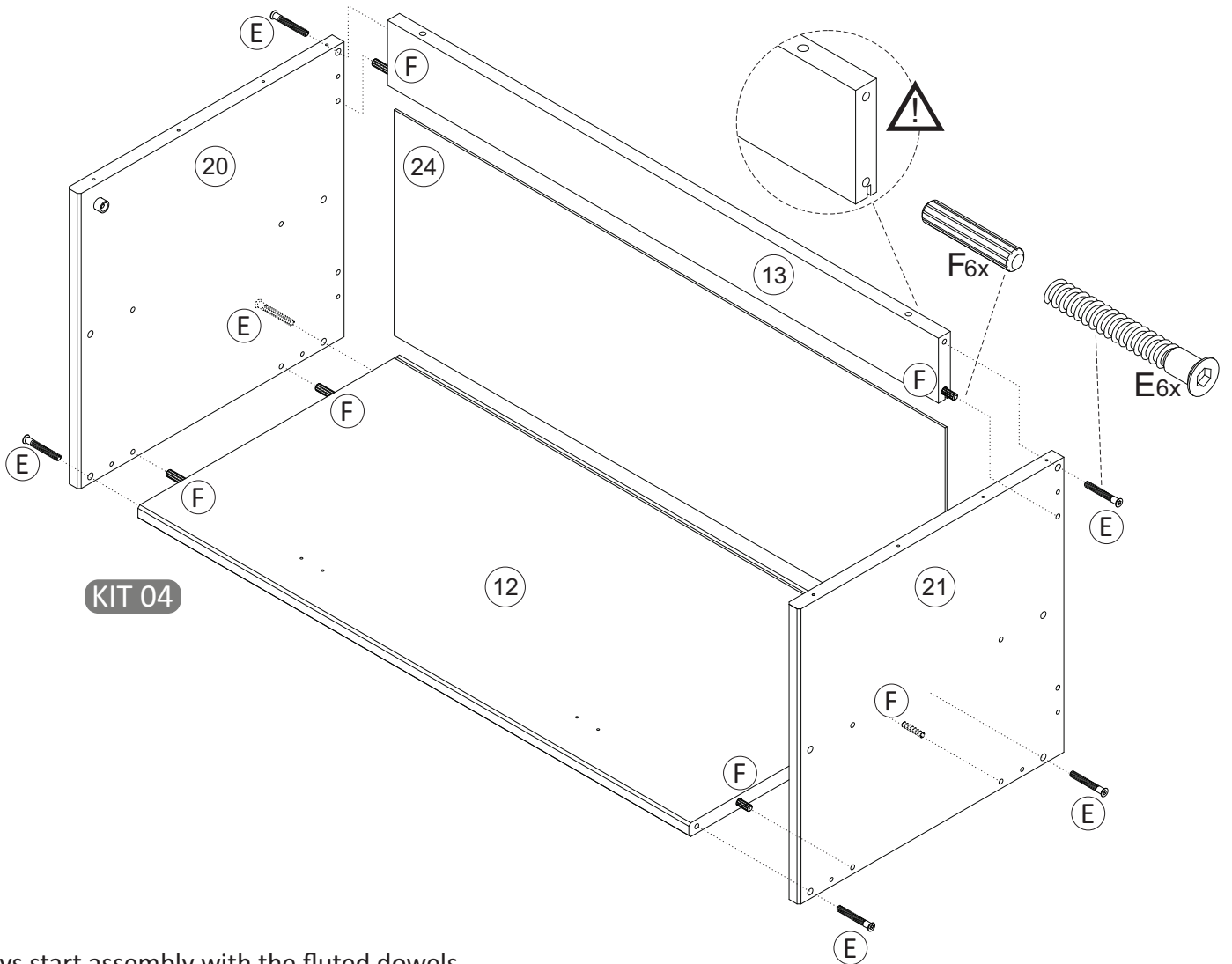


*Always start assembly with the fluted dowels.

17

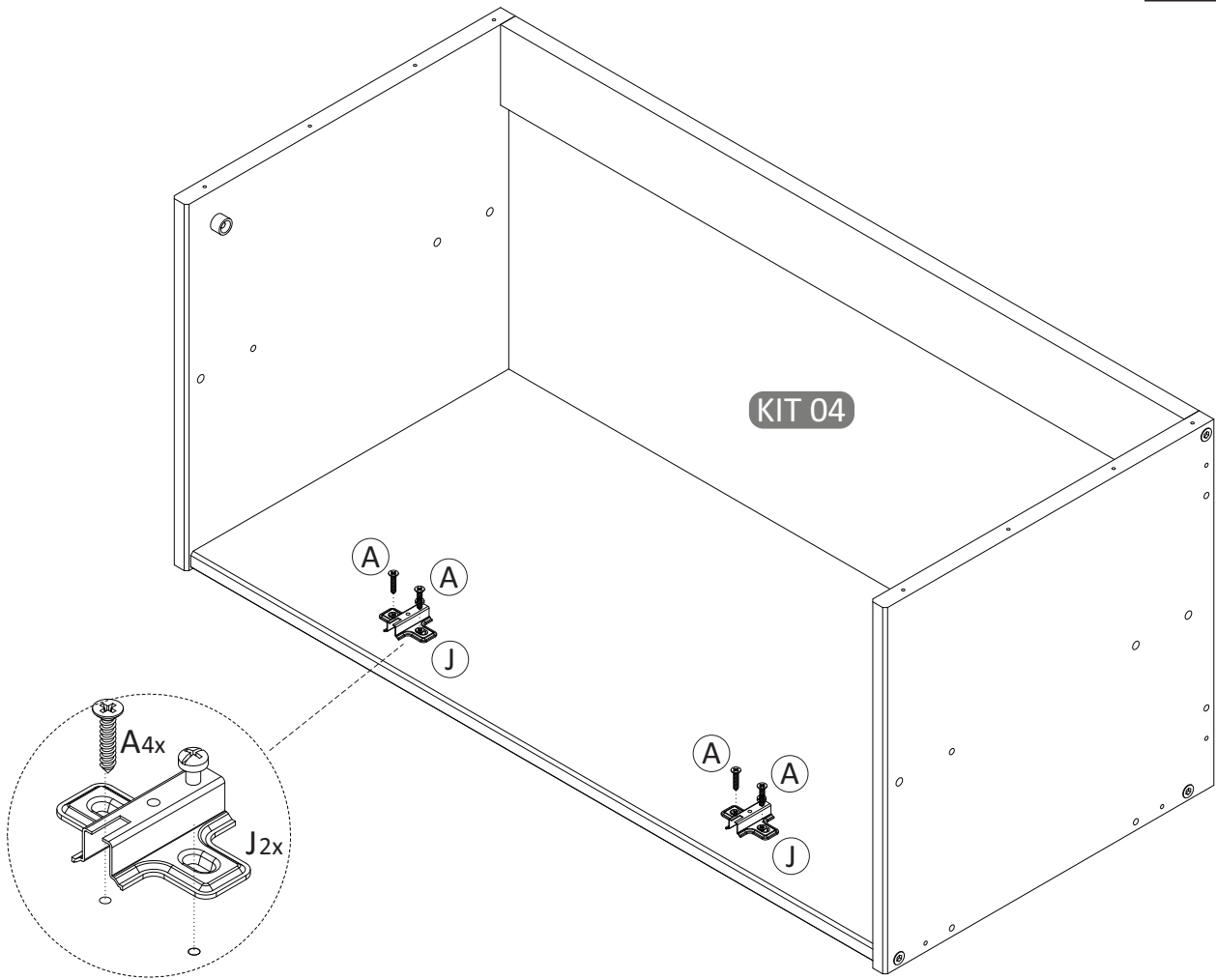


18

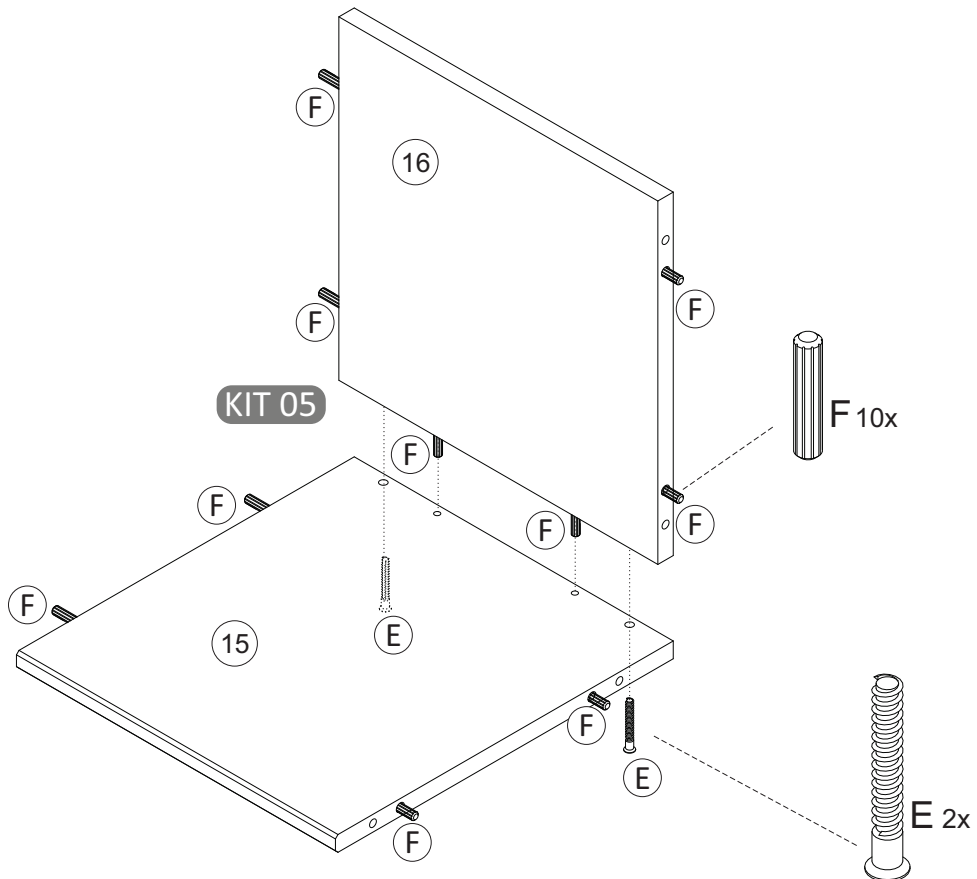


*Always start assembly with the fluted dowels.

19

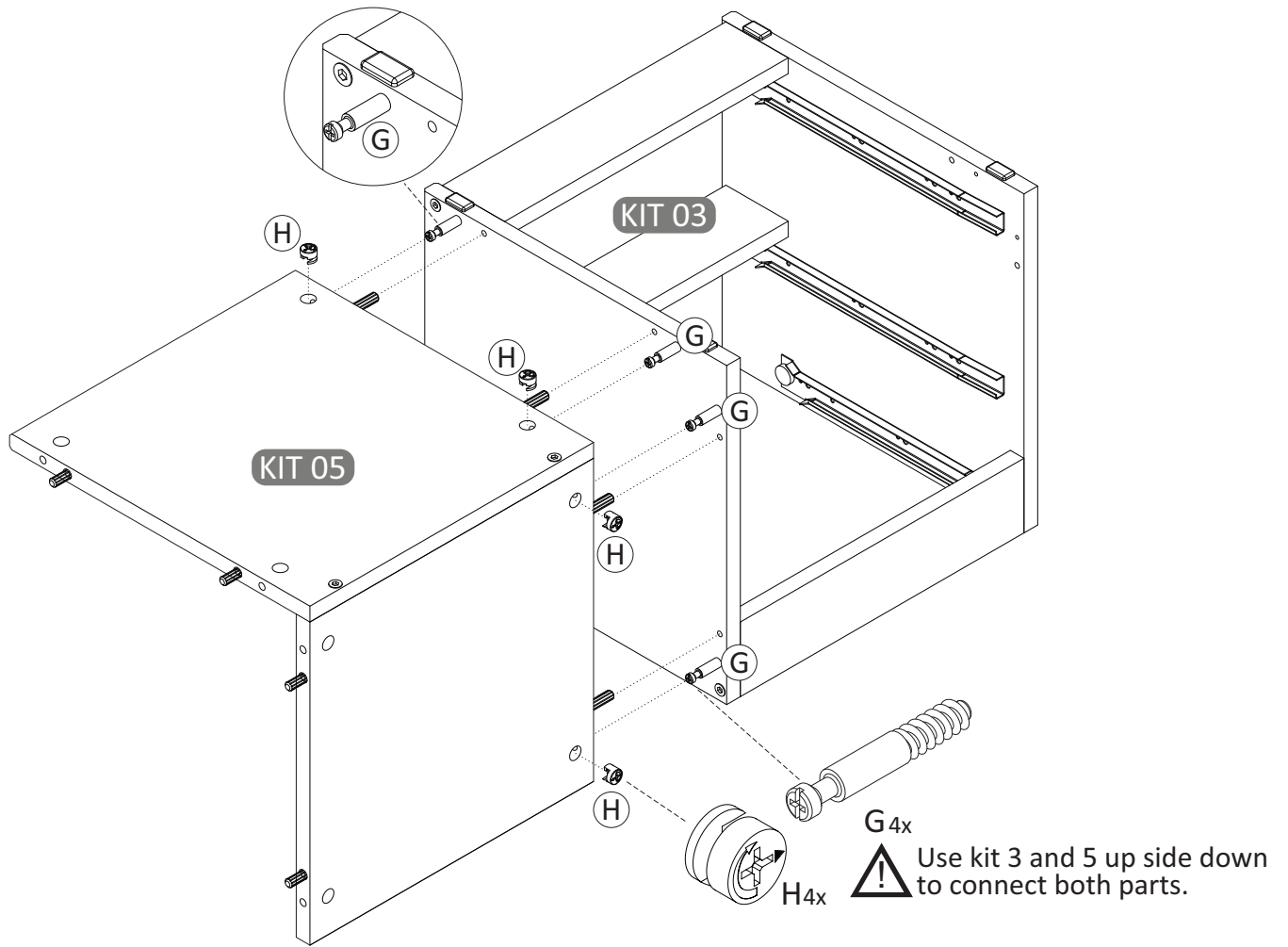


20

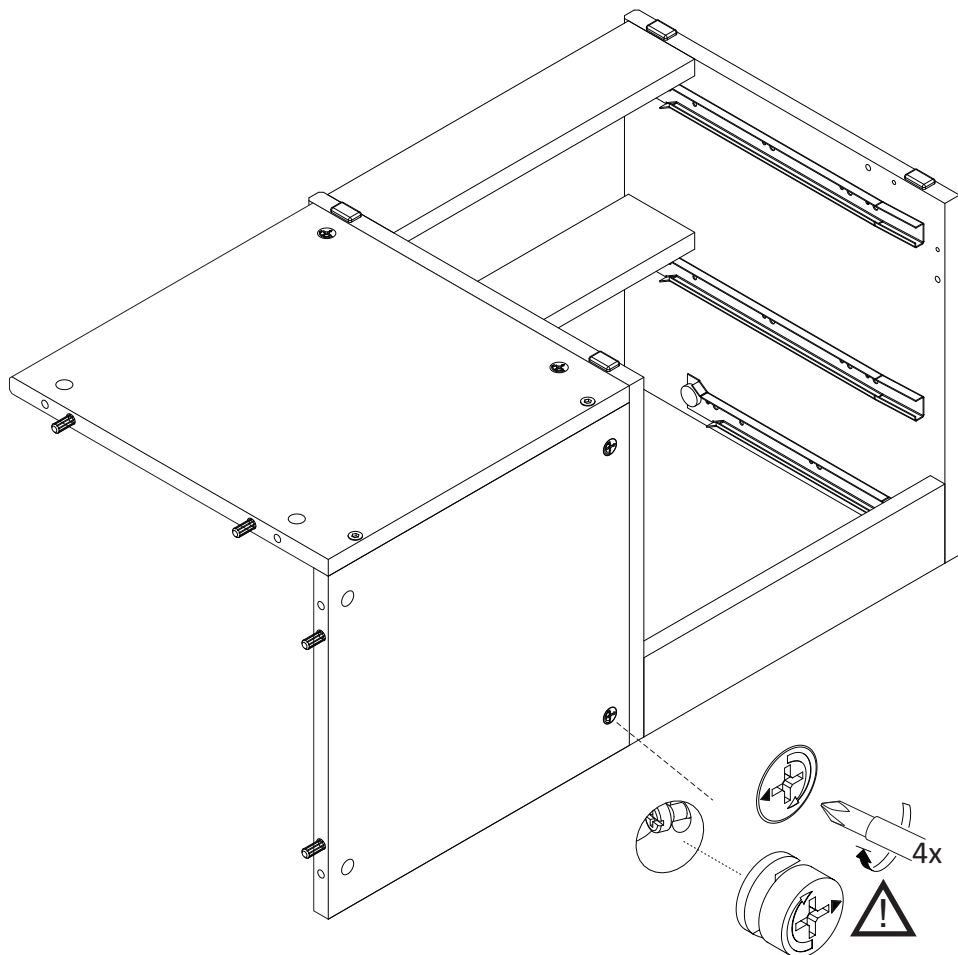


*Always start assembly with the fluted dowels.

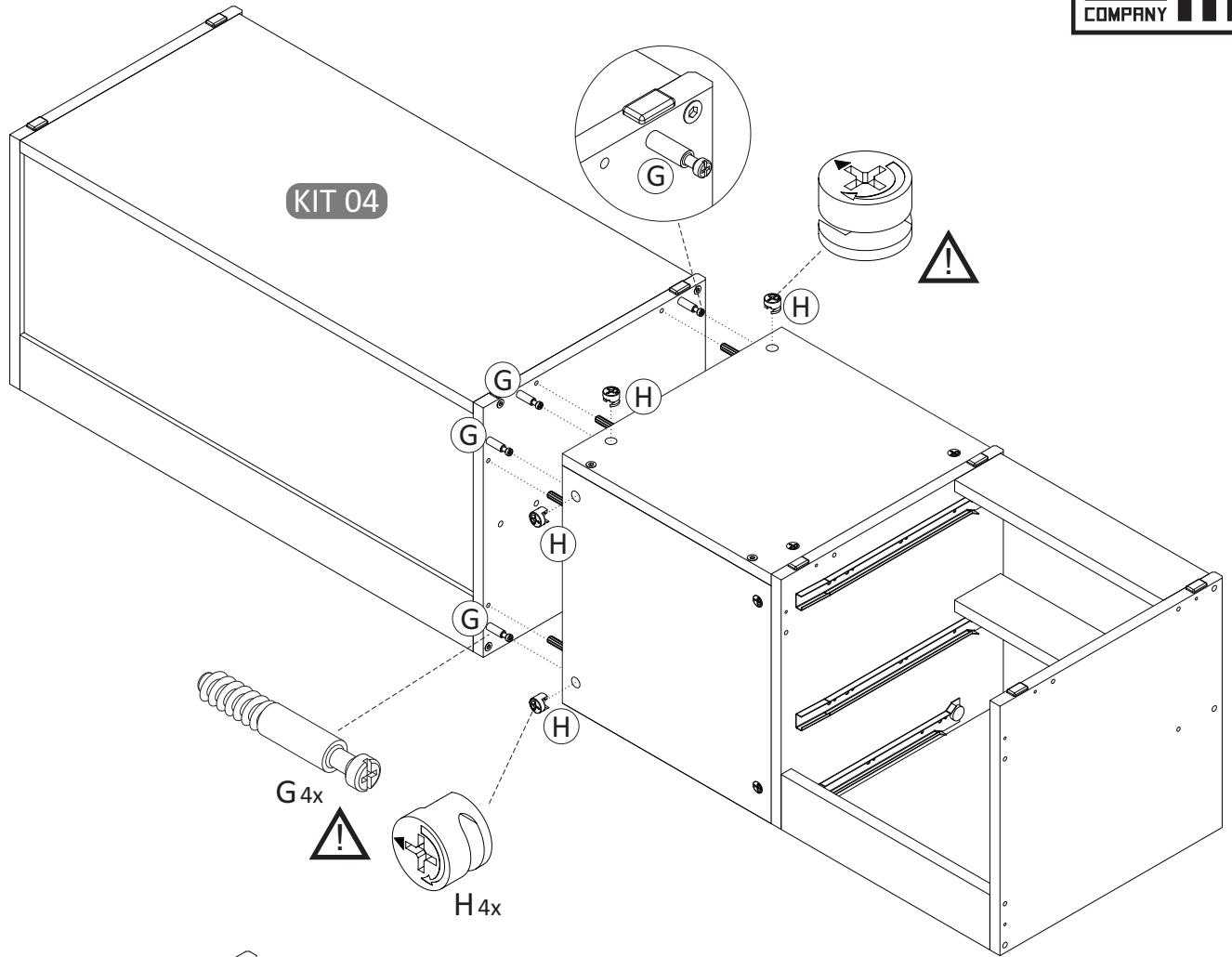
21



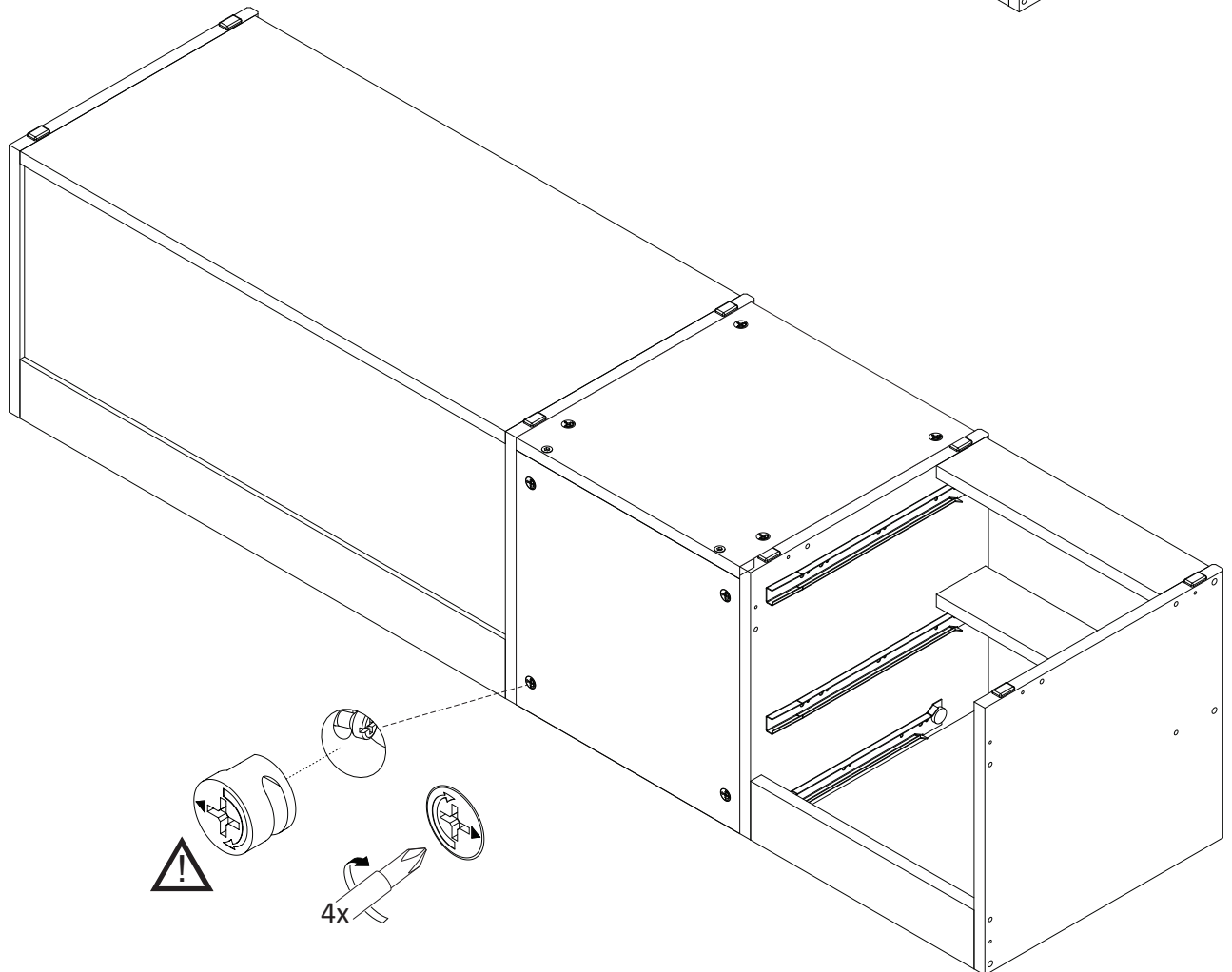
22



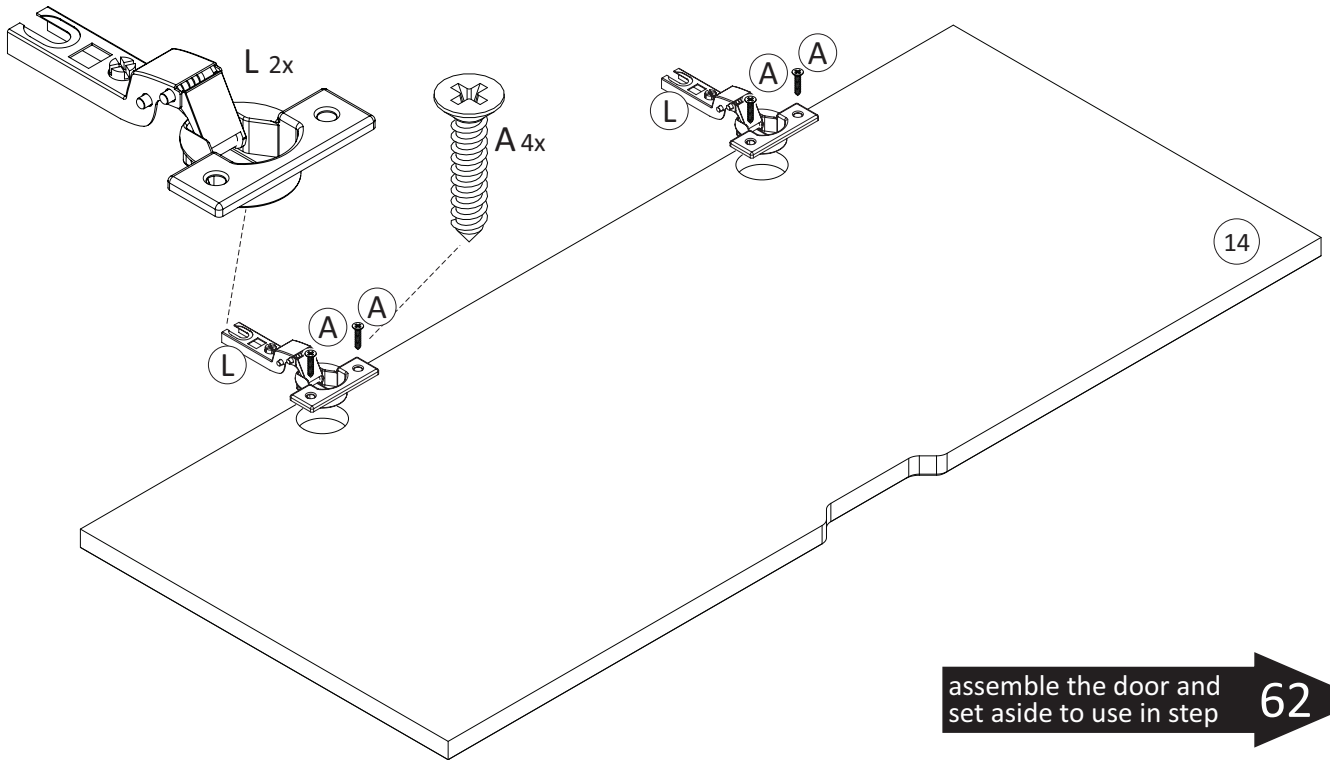
23



24



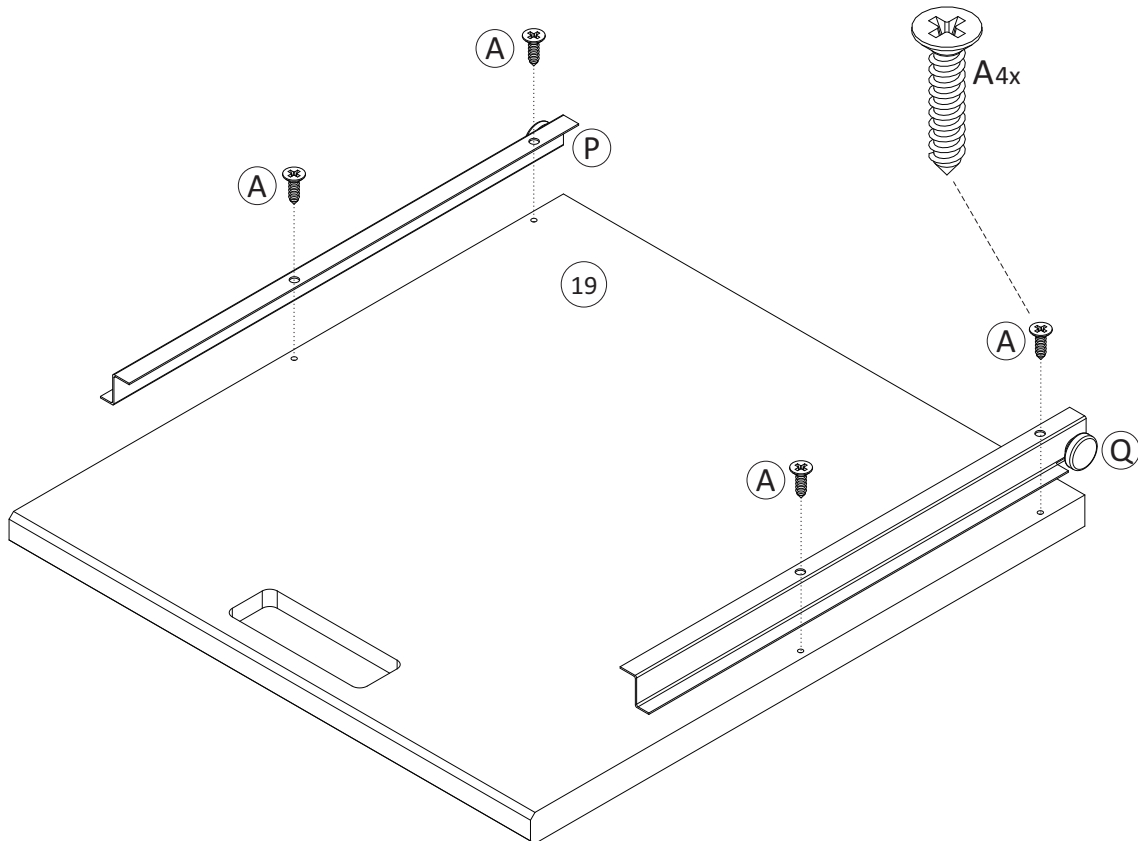
25



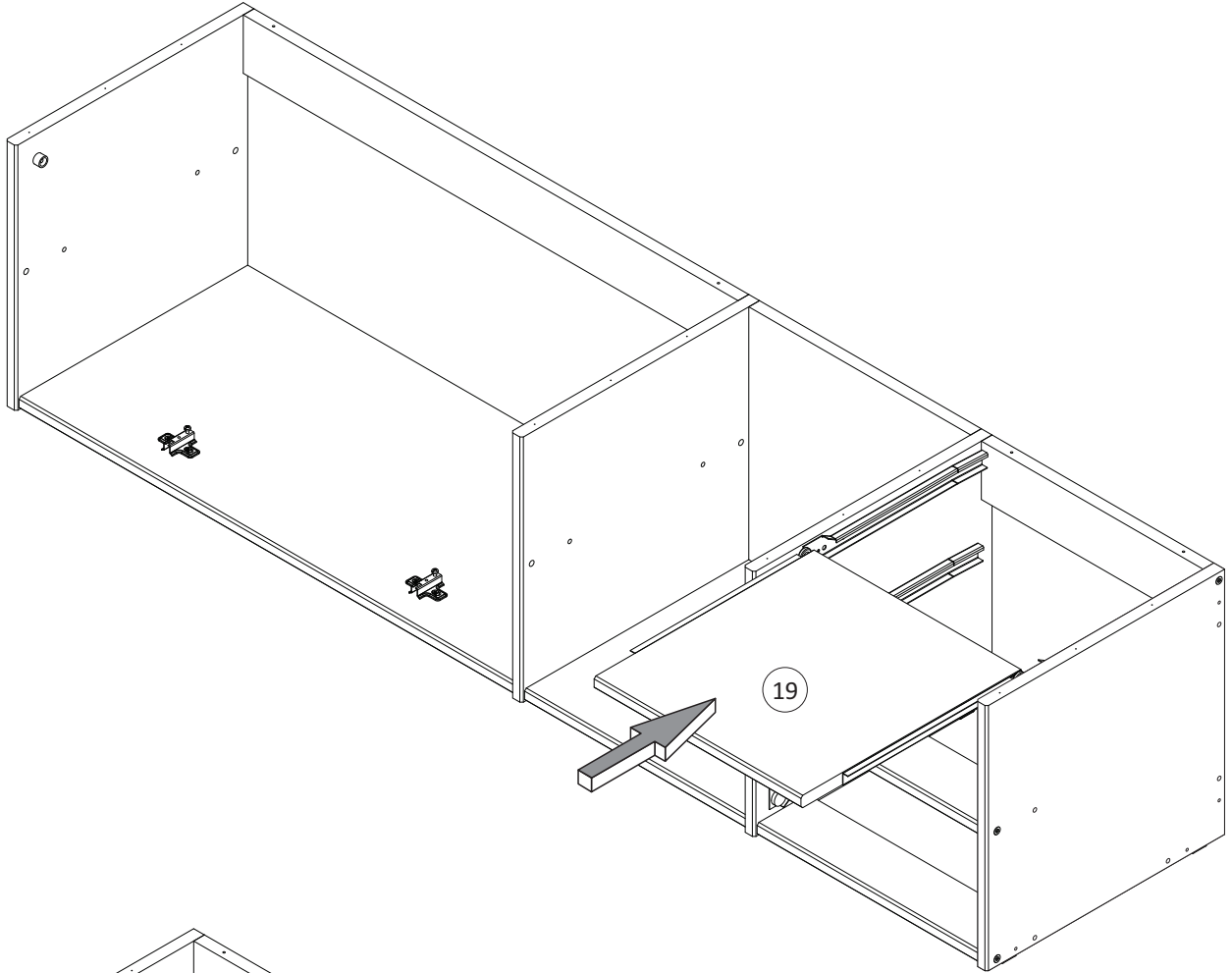
assemble the door and set aside to use in step

62

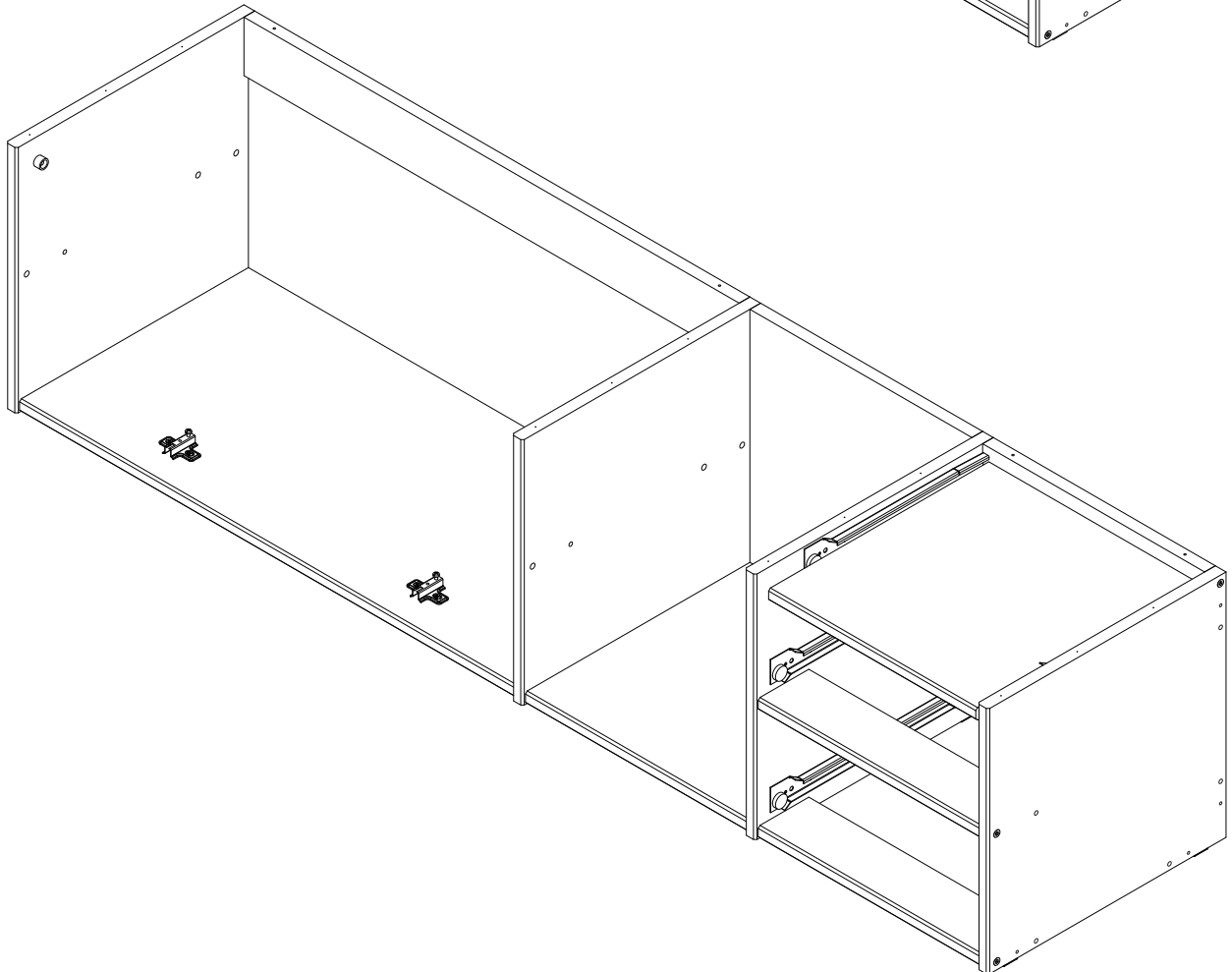
26

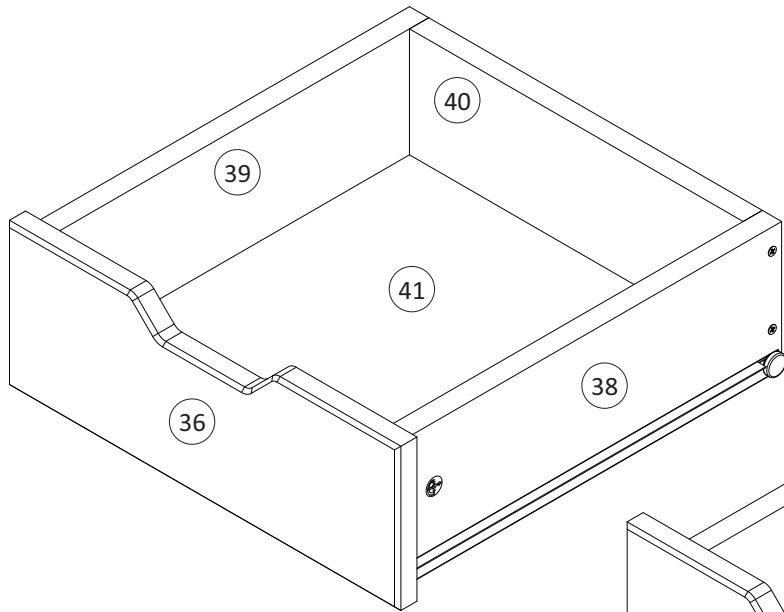


27

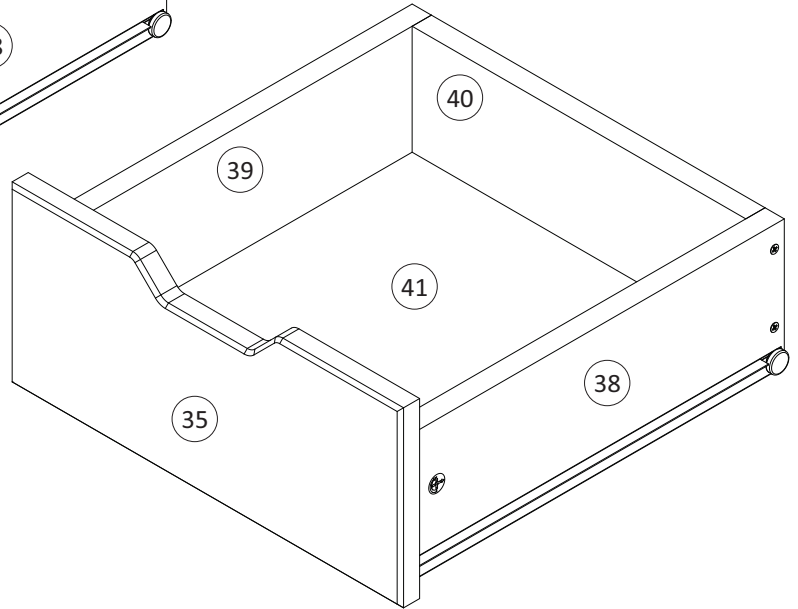


28

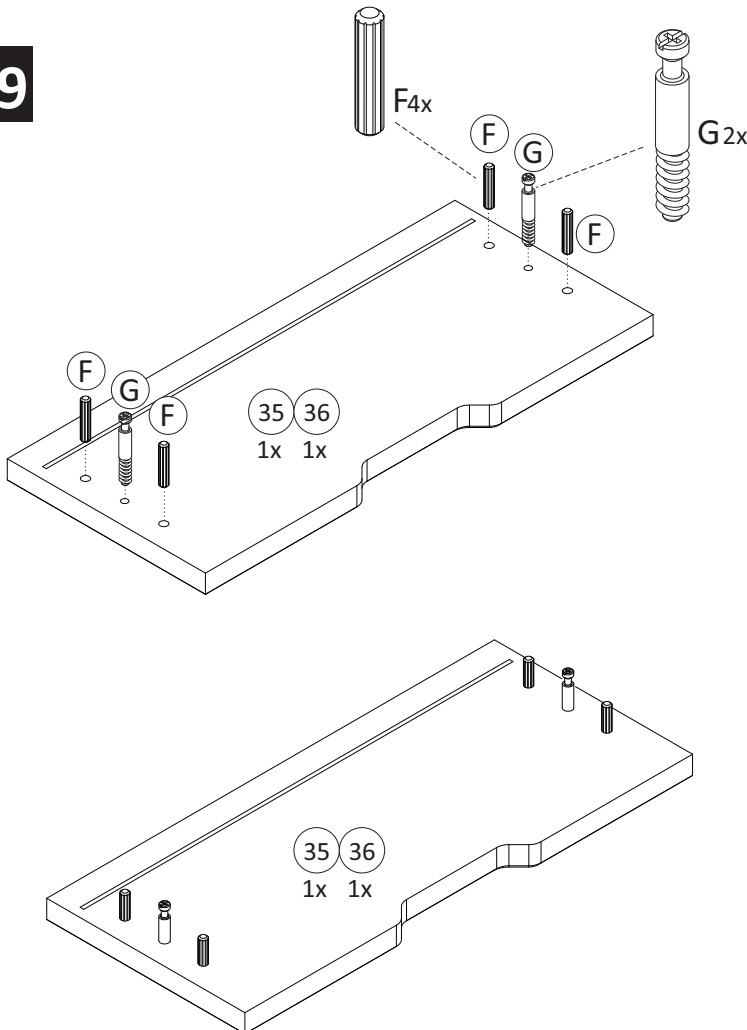




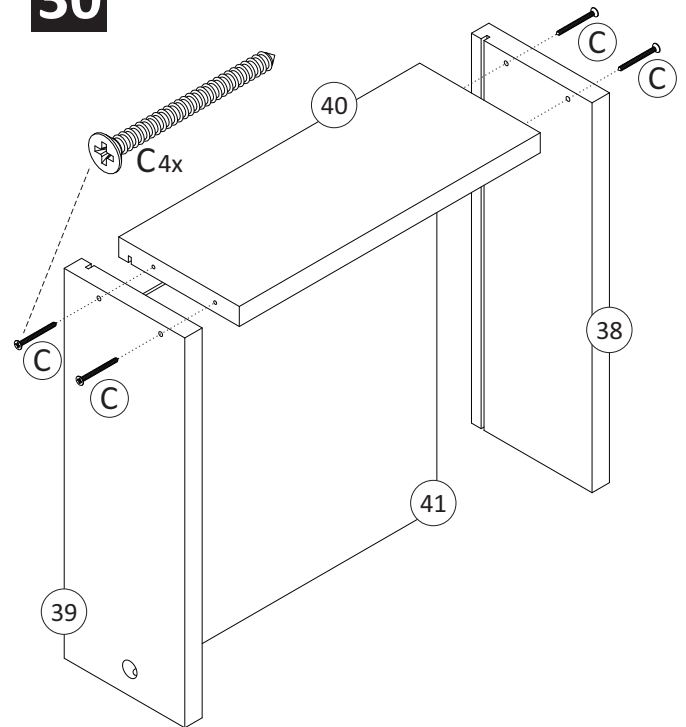
assemble the drawer and set aside to use in step **62**



29

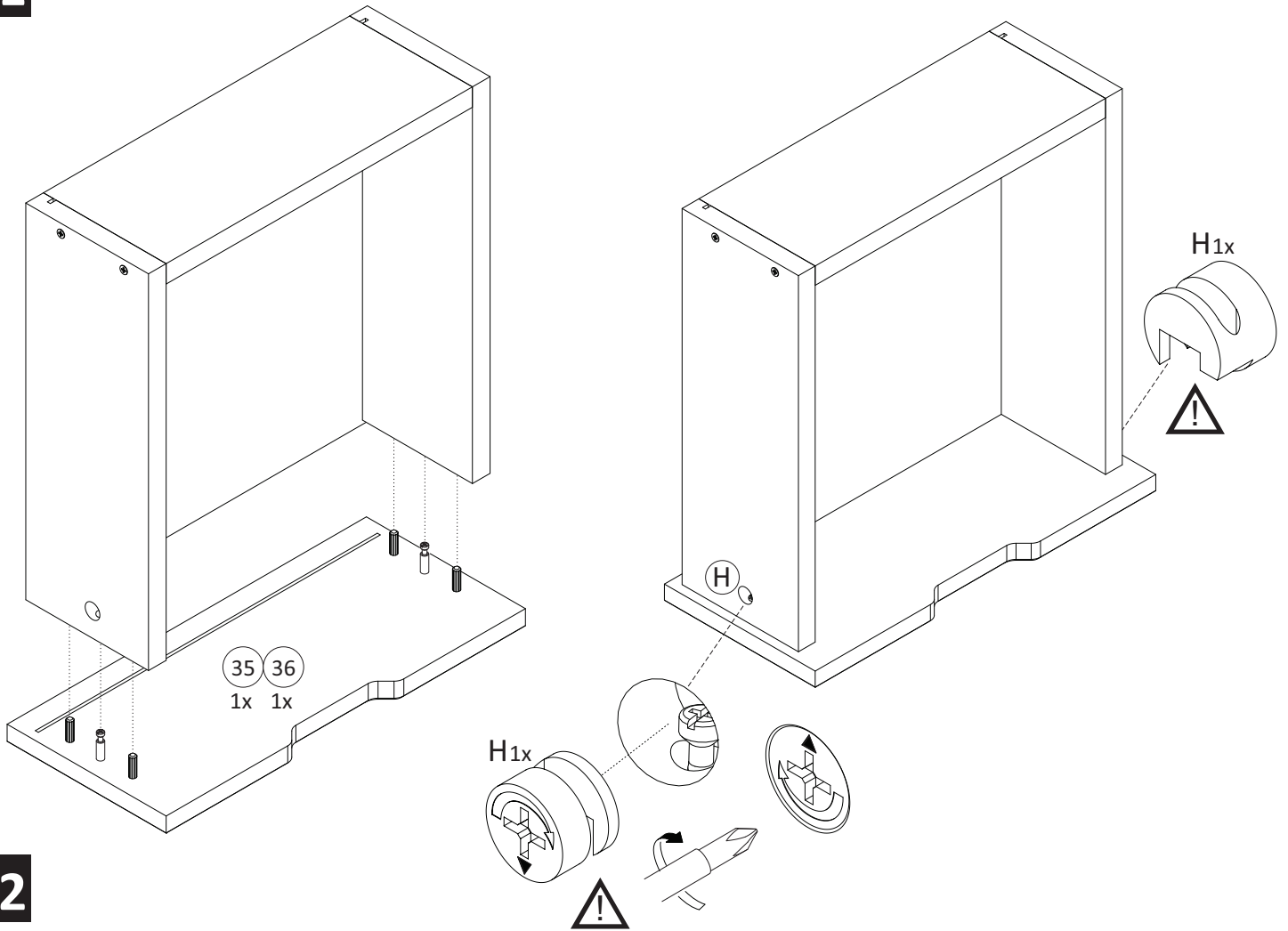


30

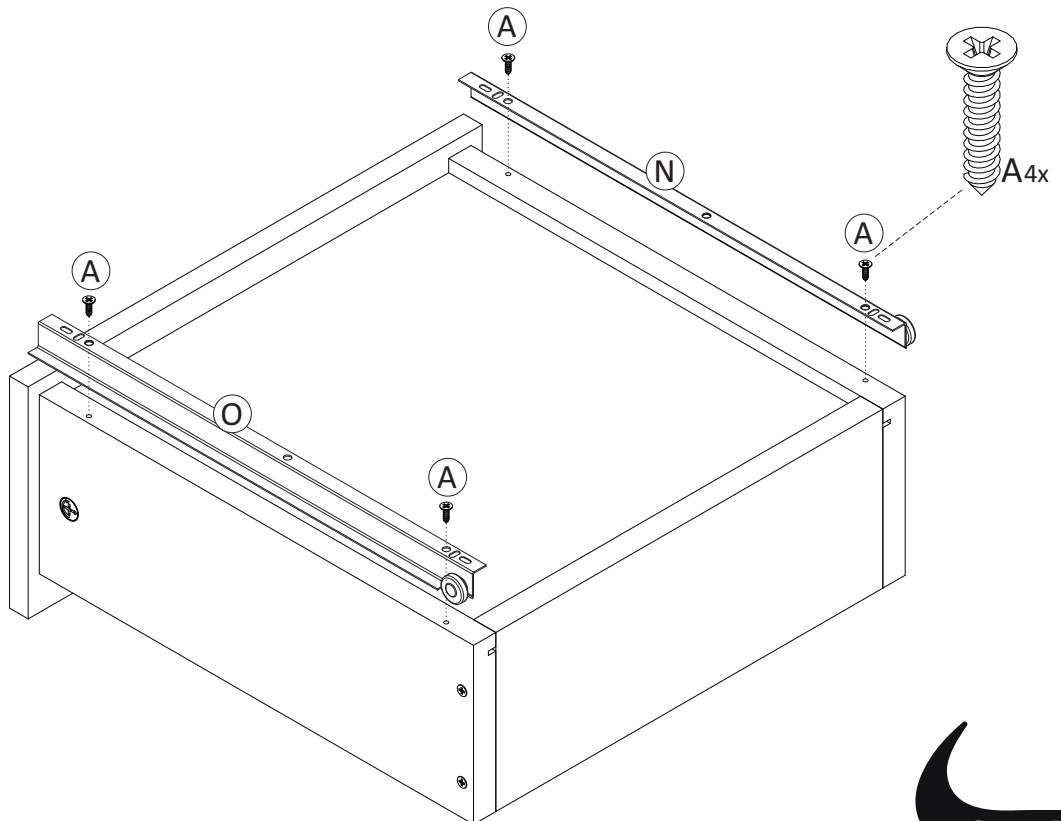


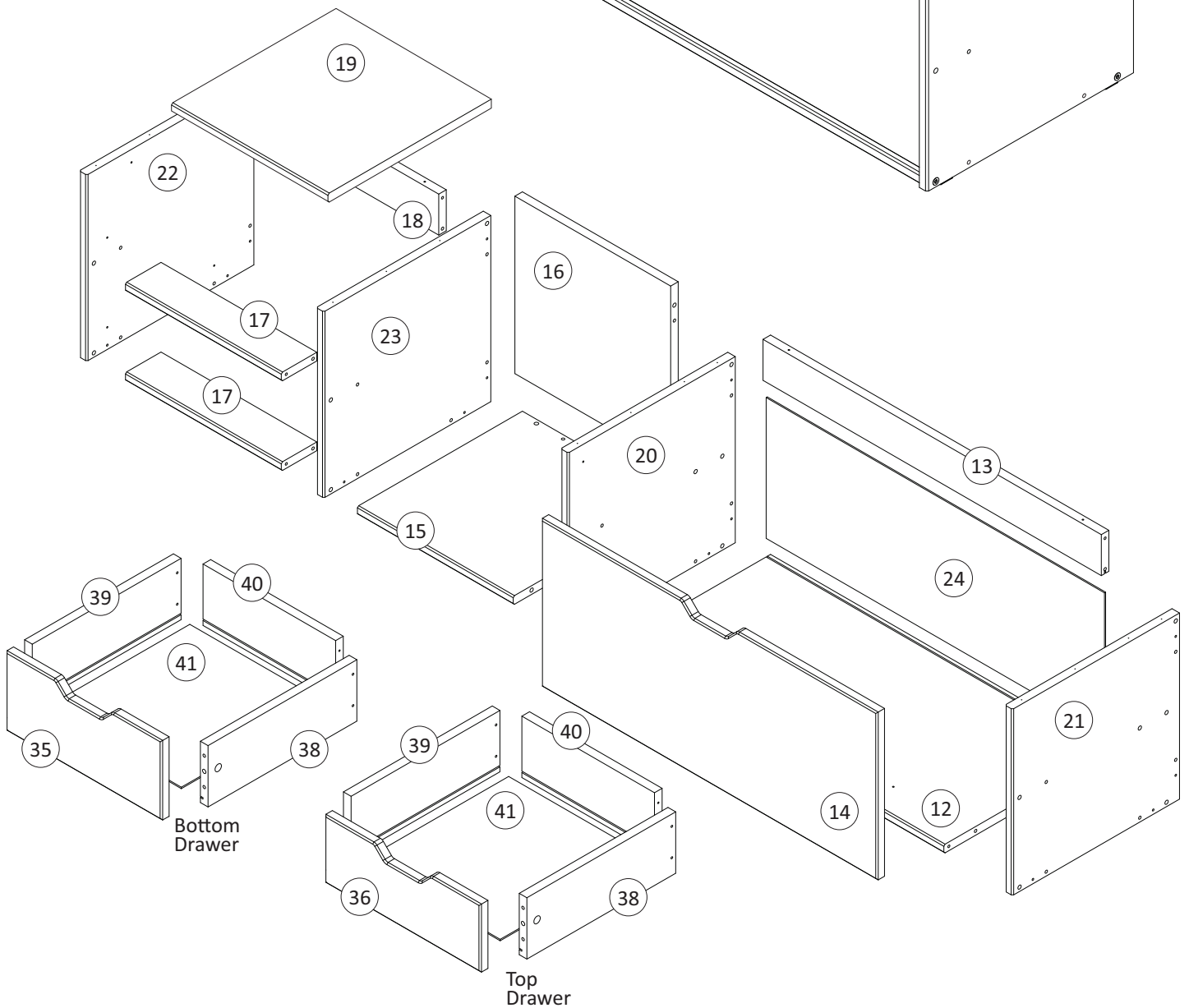
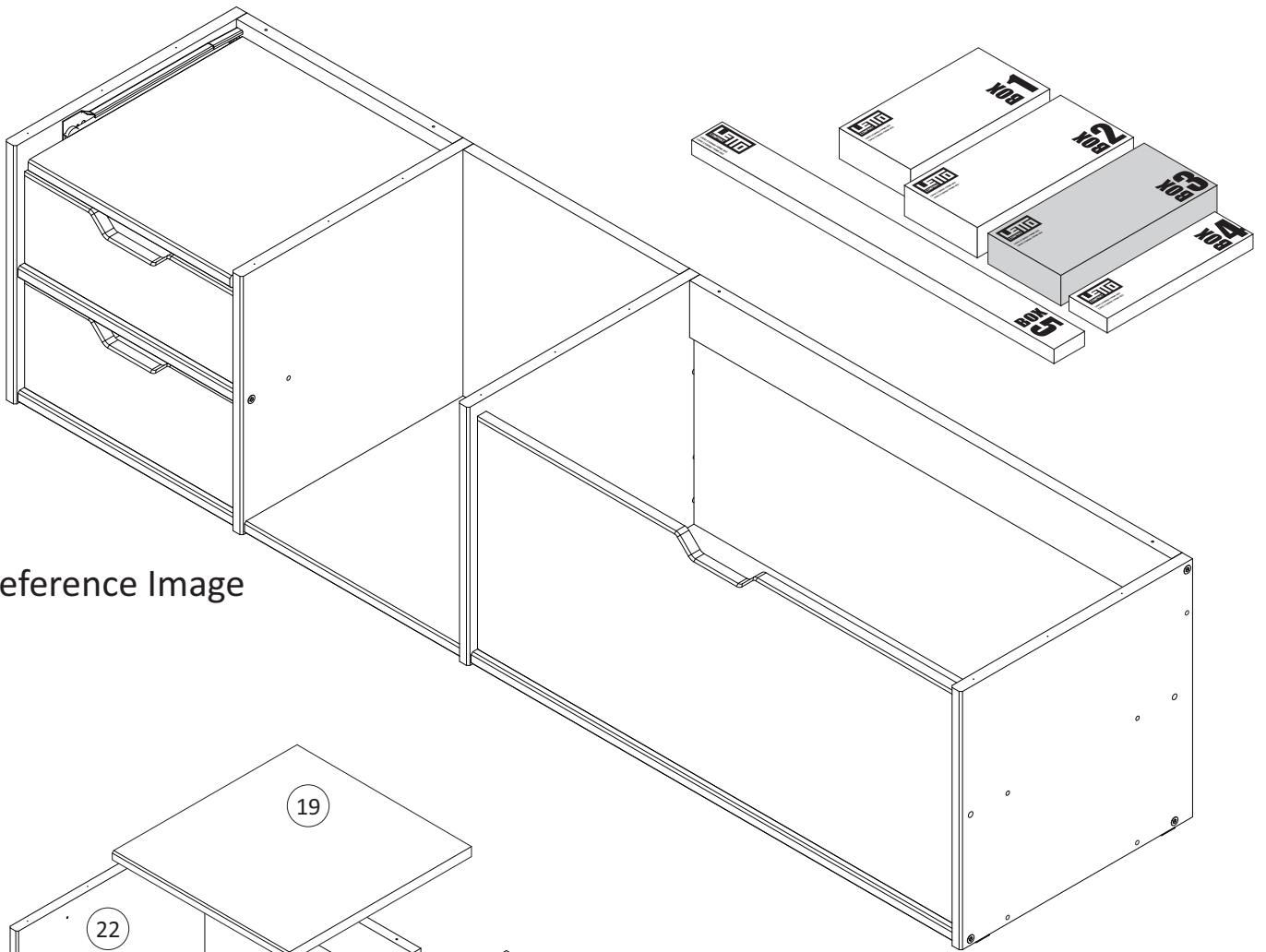
*Always start assembly with the fluted dowels.

31



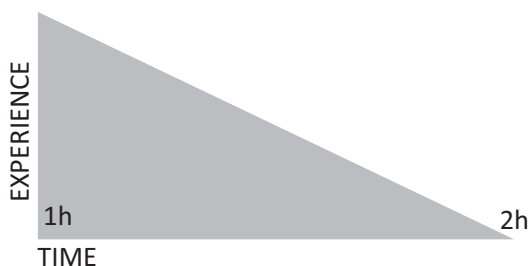
32



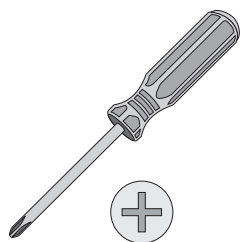


- Check items included to ensure that all components were received undamaged. Do not use damage or defective parts and please require replacement through our customer service at: support@lettocompany.com;
- Pay attention on instructions before installation, and follow it step by step;
- We recommend assembly over a carpet or something similar to avoid scratches on the floor and bed parts;
- Adults assembly required, Keep children and pets away during the mounting. There are small components used in the construction of this unit. These loose items should be kept away from children and pets during assembly, to avoid the danger of choking;
- Do not use this product for any purpose that is not as bed. Do not exceed weight capacity. We cannot be liable for damage or injury caused by improper mounting, incorrect assembly or inappropriate use;
- Preserving this document is essential for the proper maintenance of your furniture.

*Always start assembly with the fluted dowels.



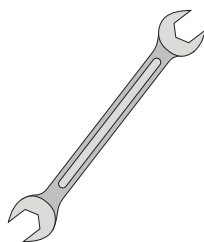
Tools Needed (NOT Included)



Phillips
Screwdriver

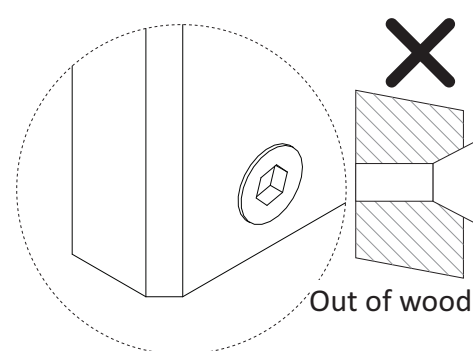
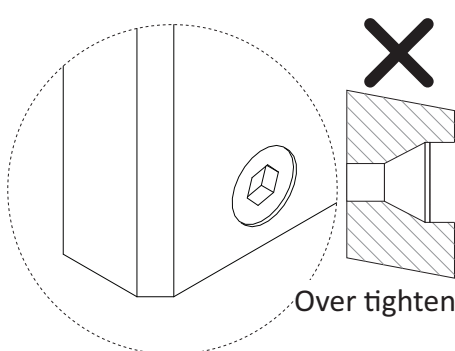
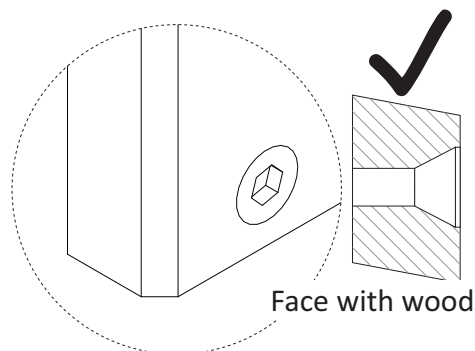


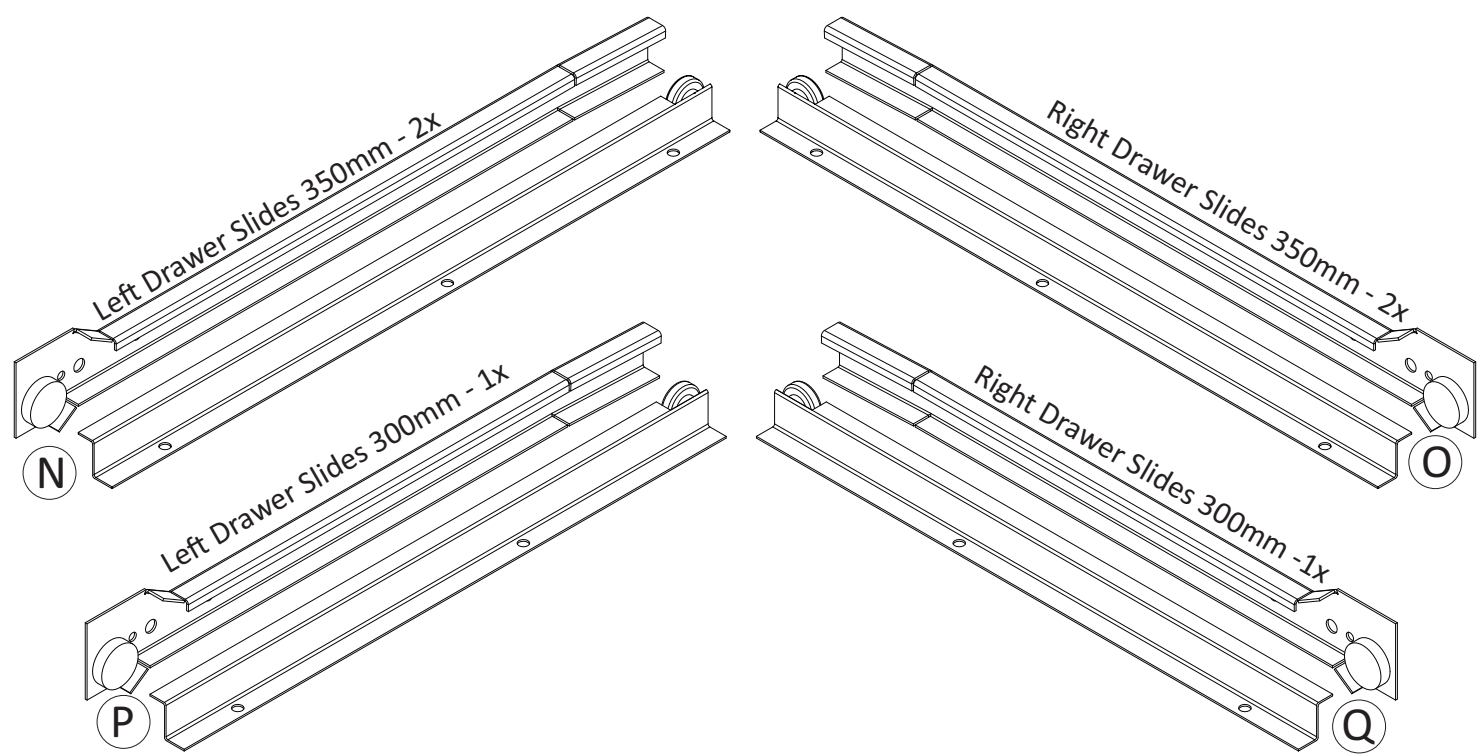
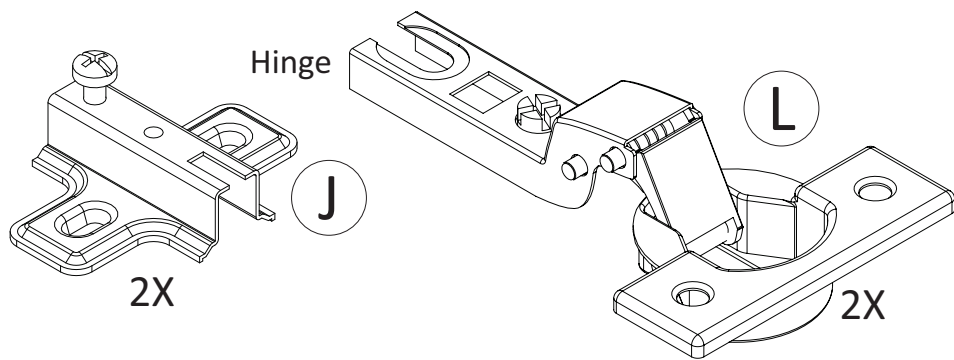
Rubber
Hammer



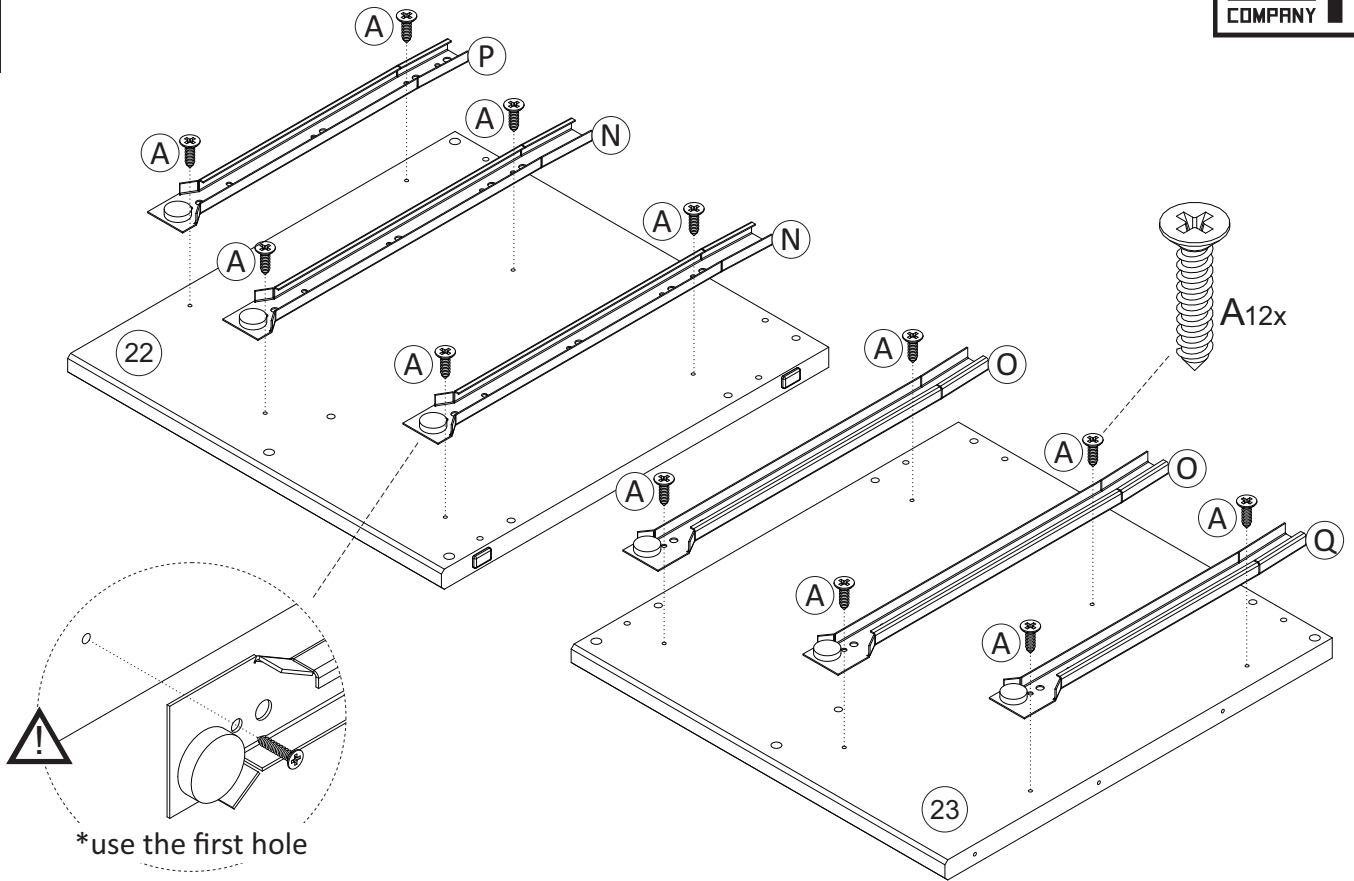
Wrench
7/16"

How far to tighten the screws :

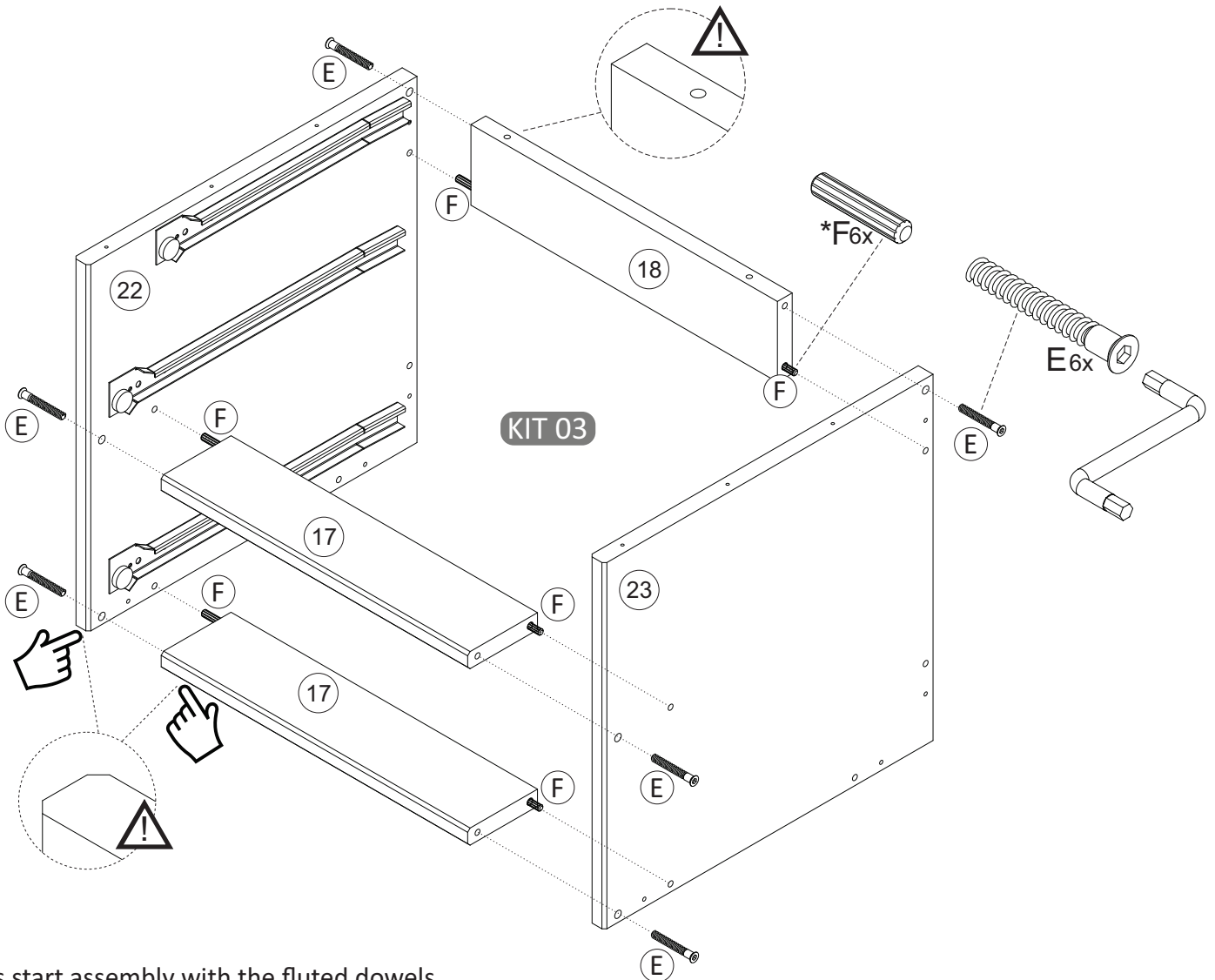




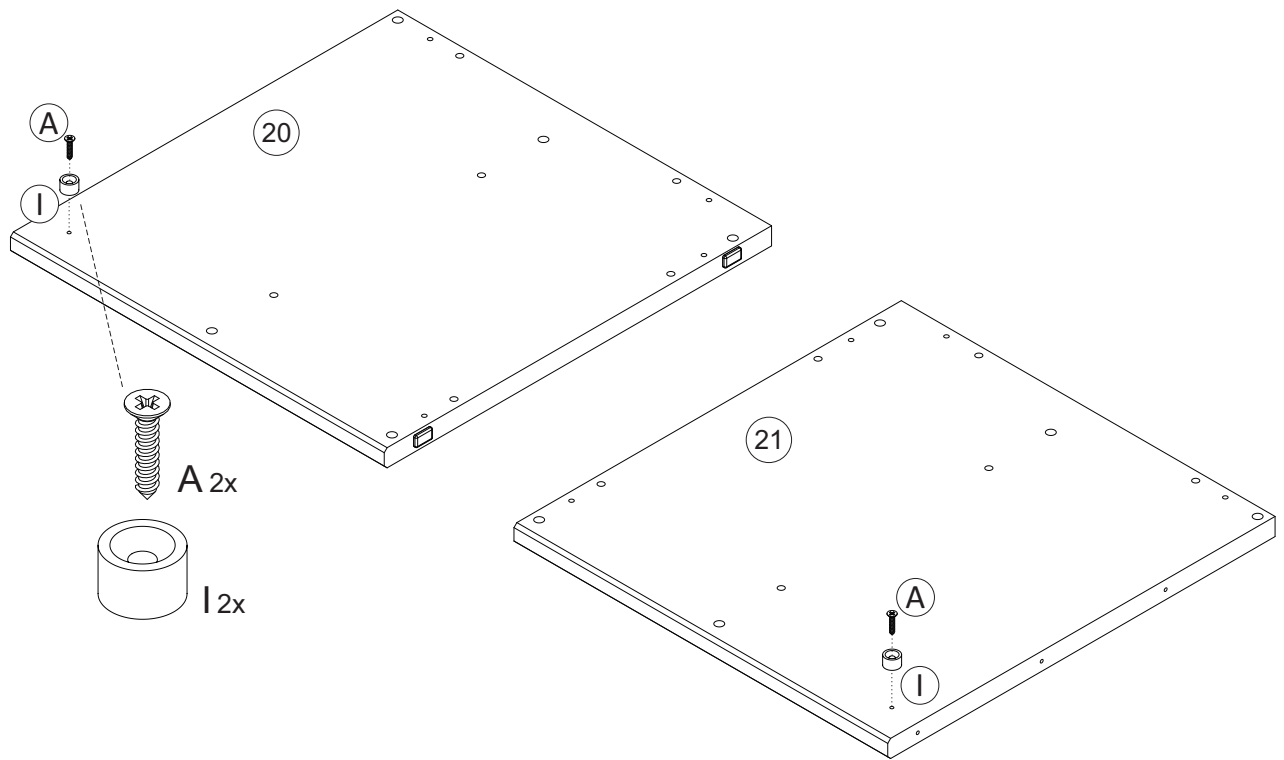
33



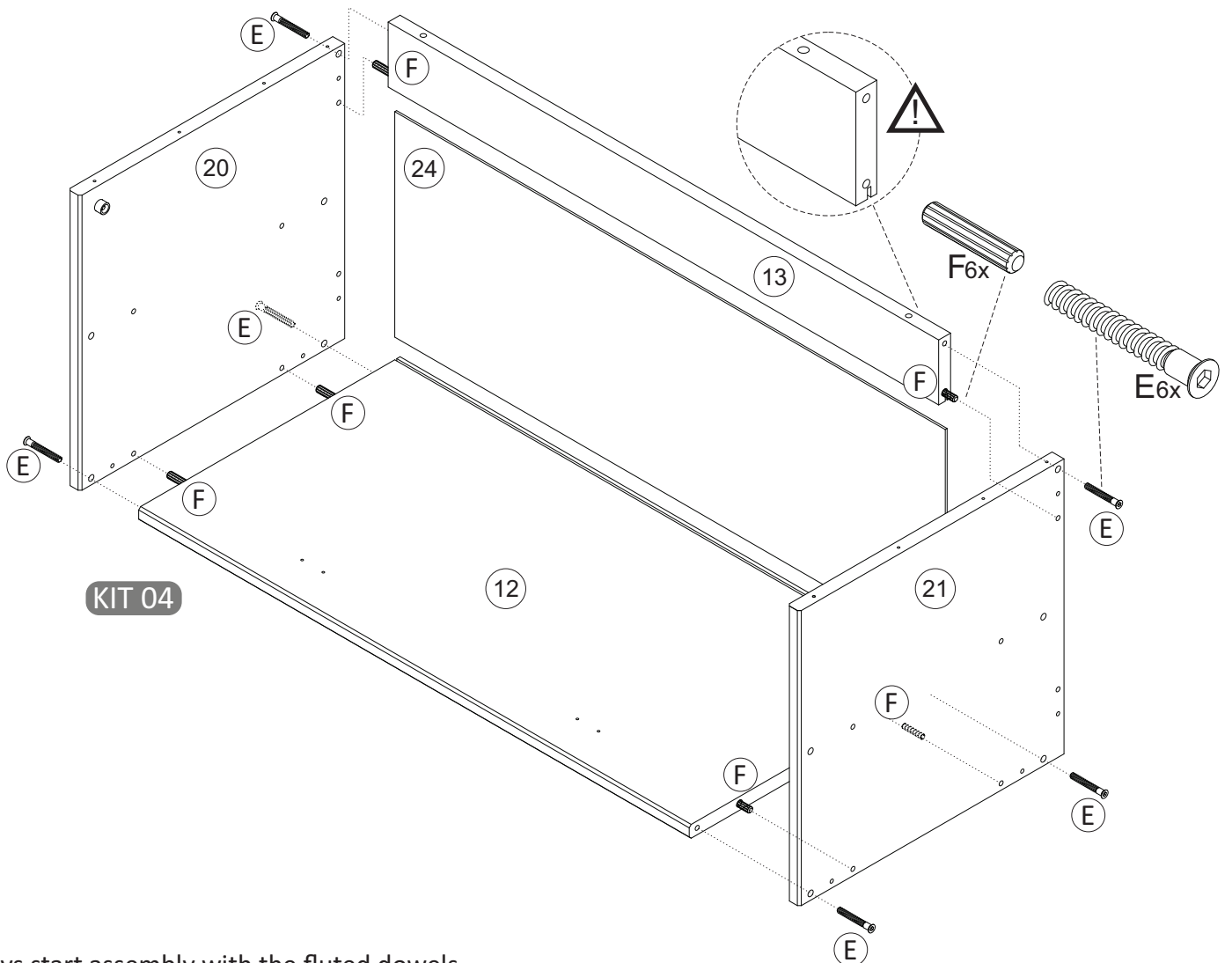
34



35

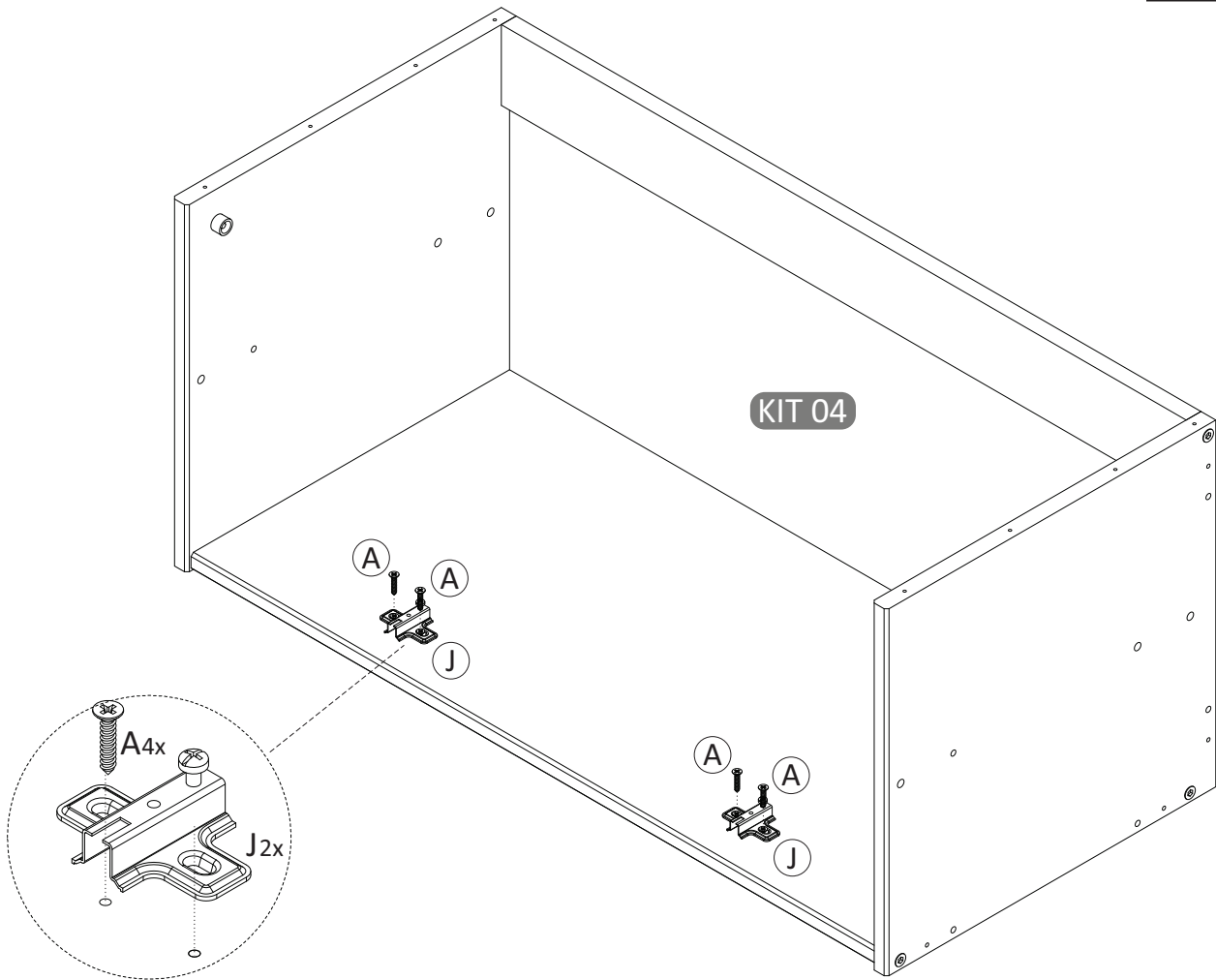


36

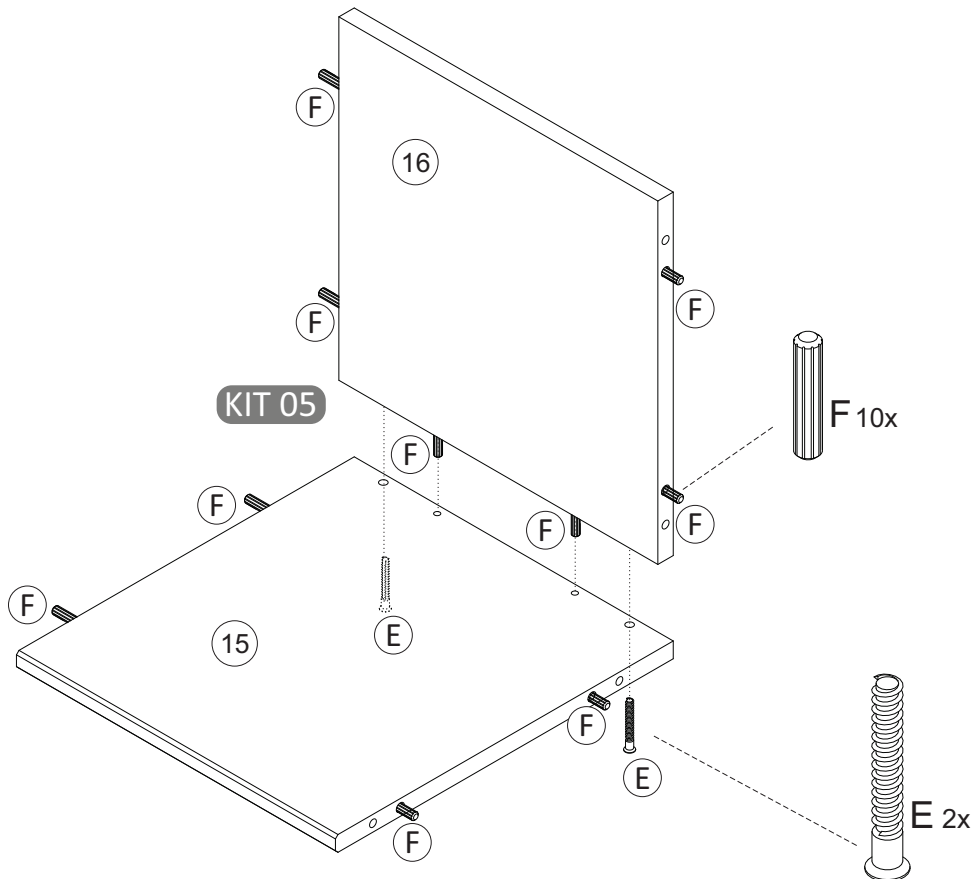


*Always start assembly with the fluted dowels.

37

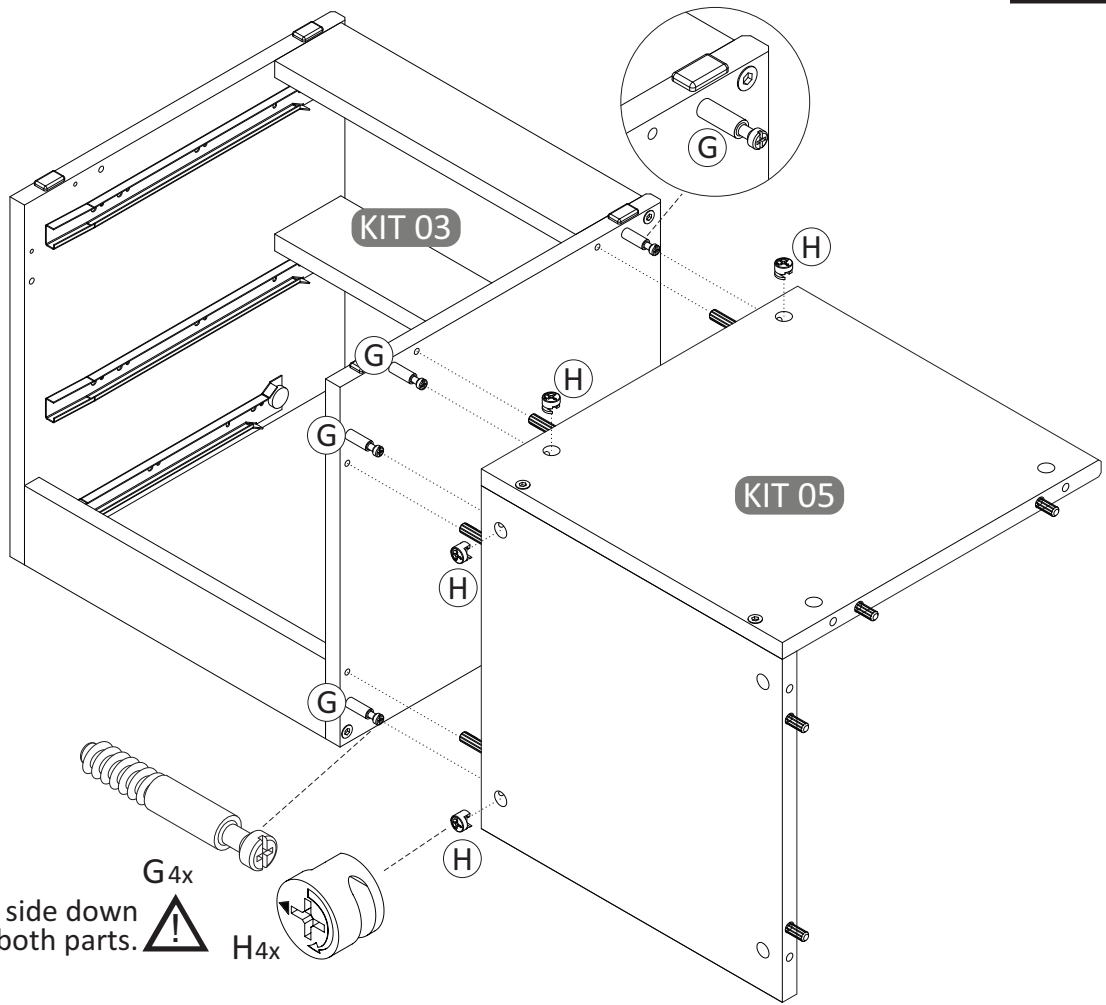


38



*Always start assembly with the fluted dowels.

39

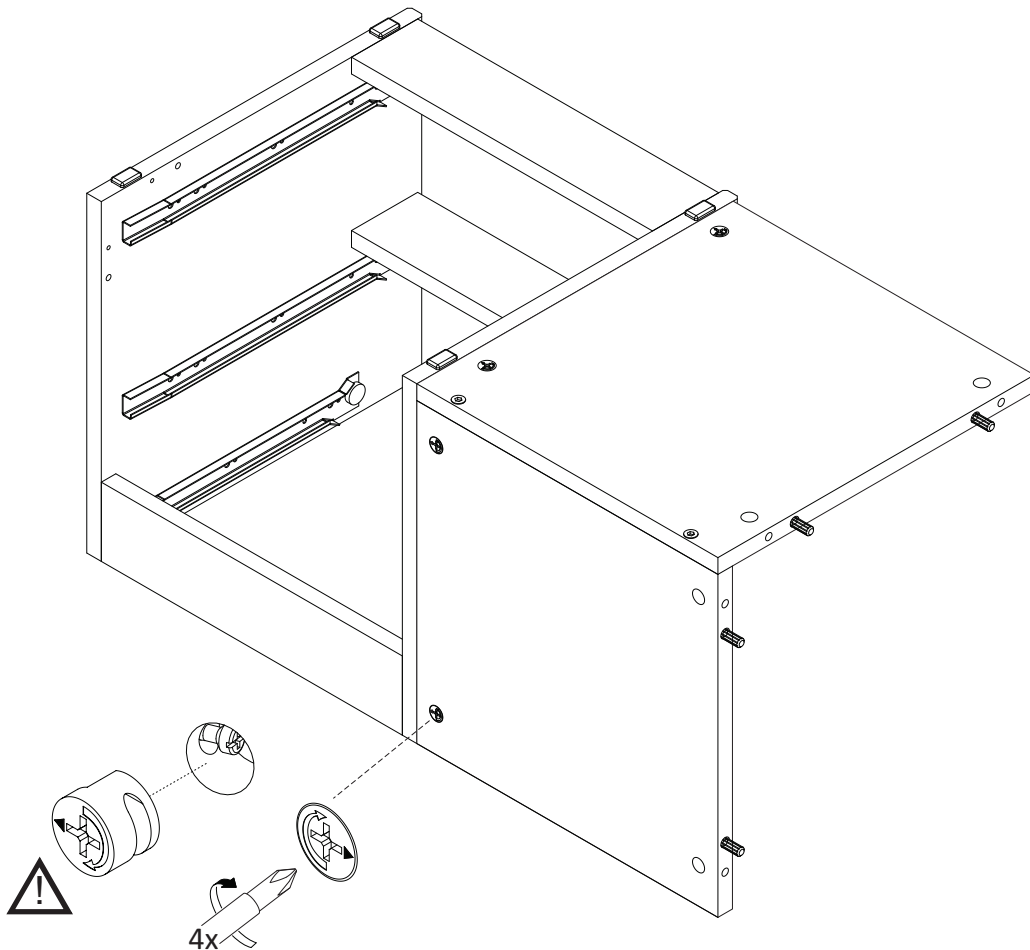


Use kit 3 and 5 up side down to connect both parts.

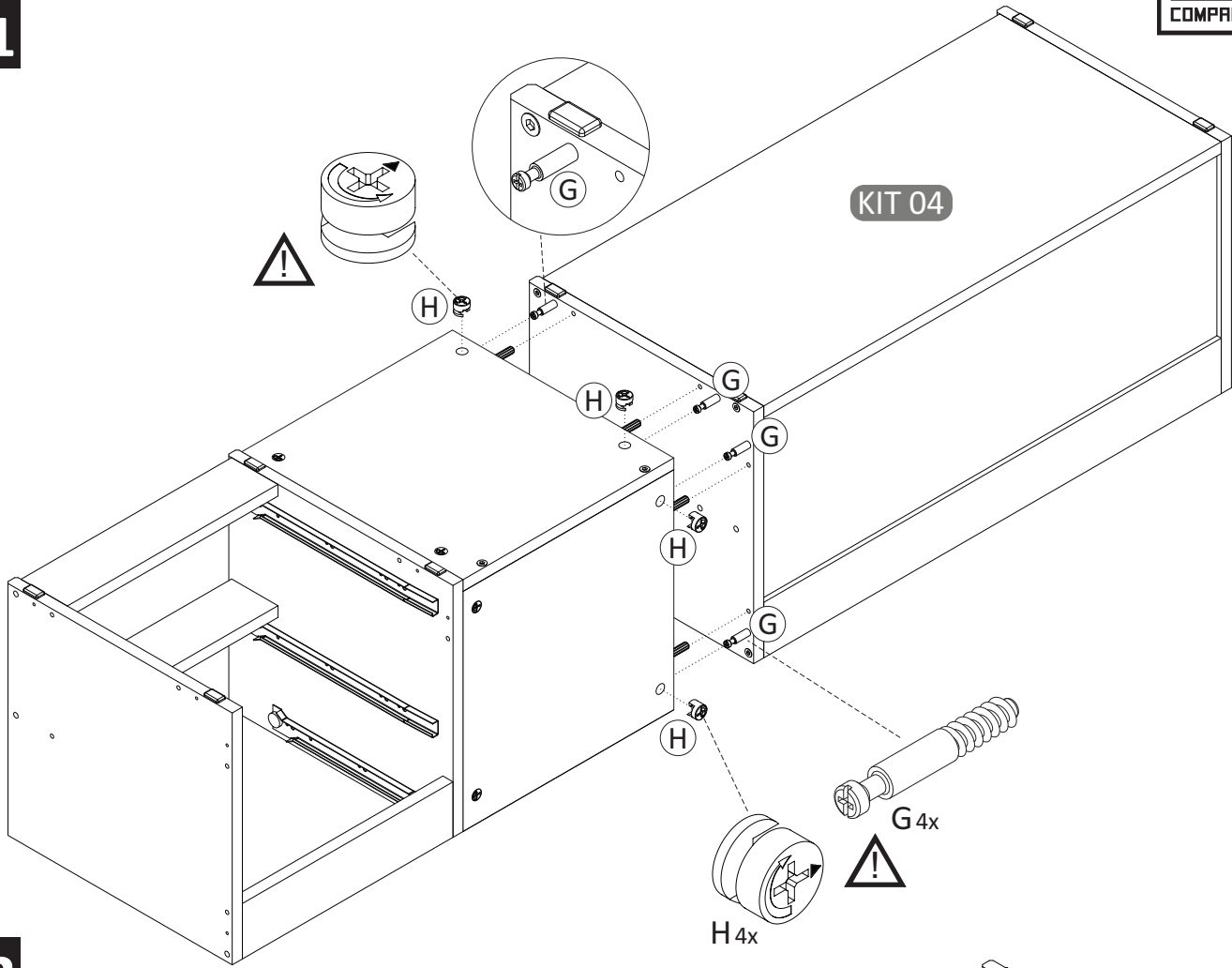
G4x

H4x

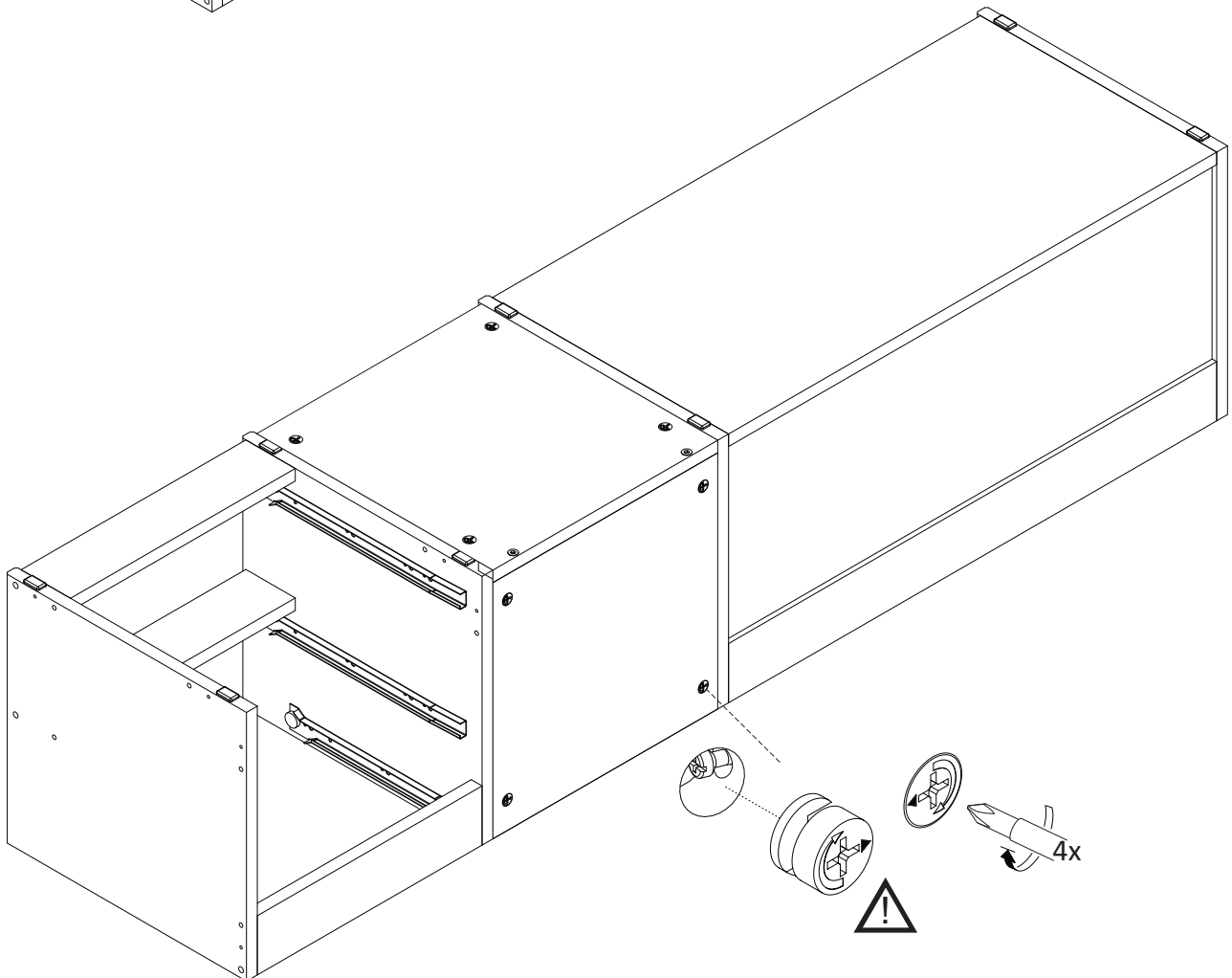
40



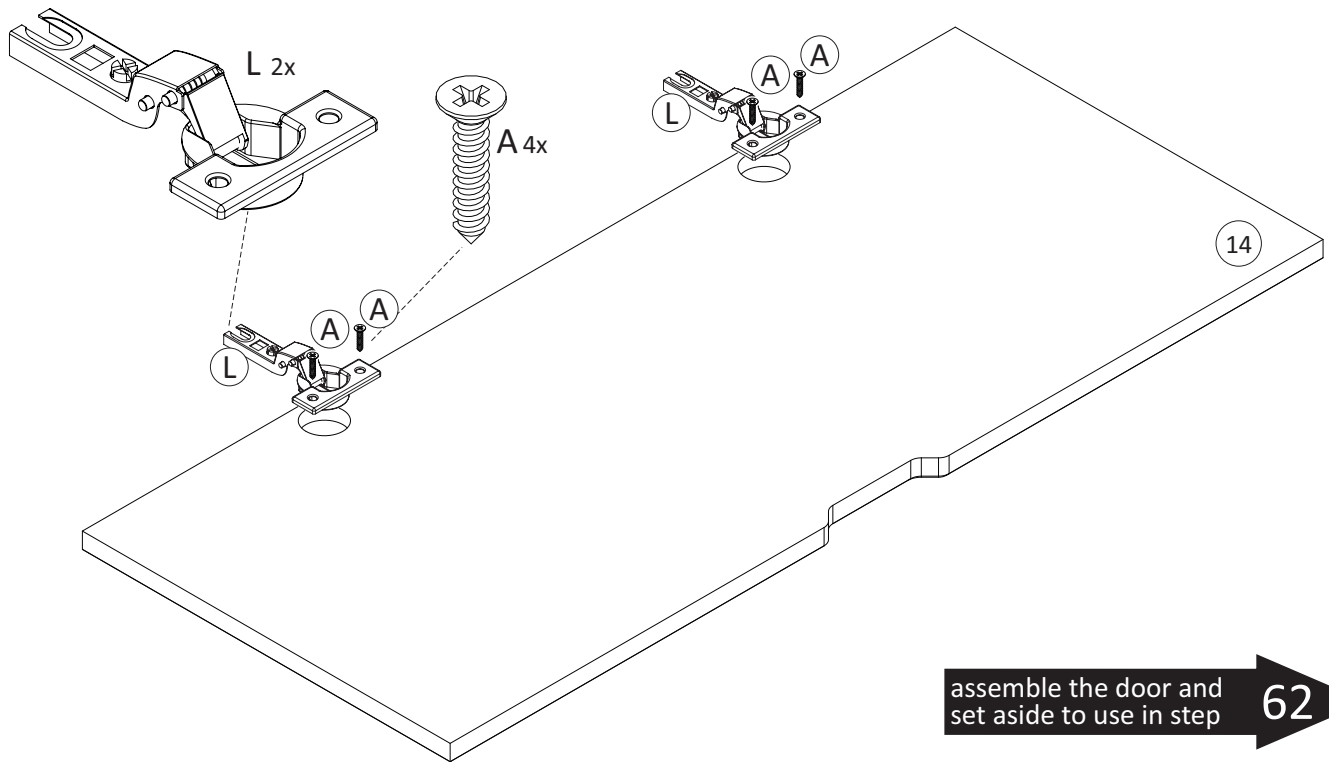
41



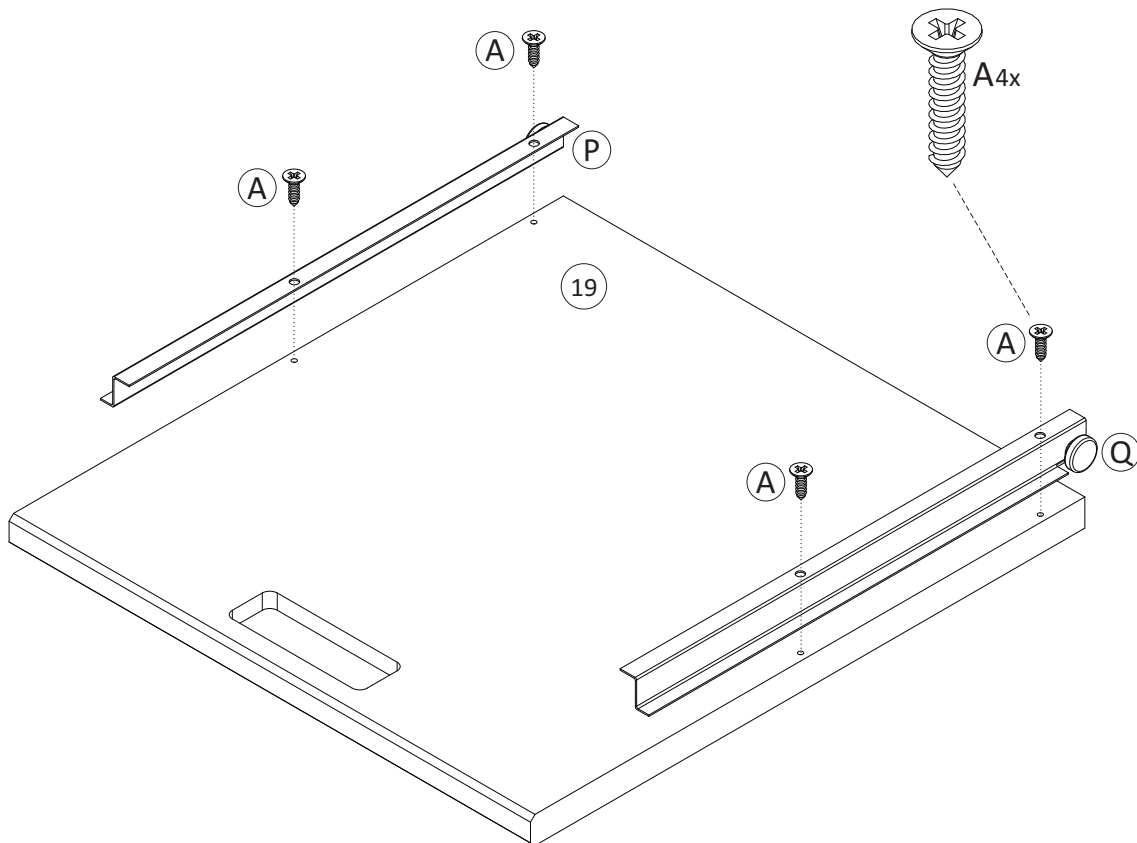
42



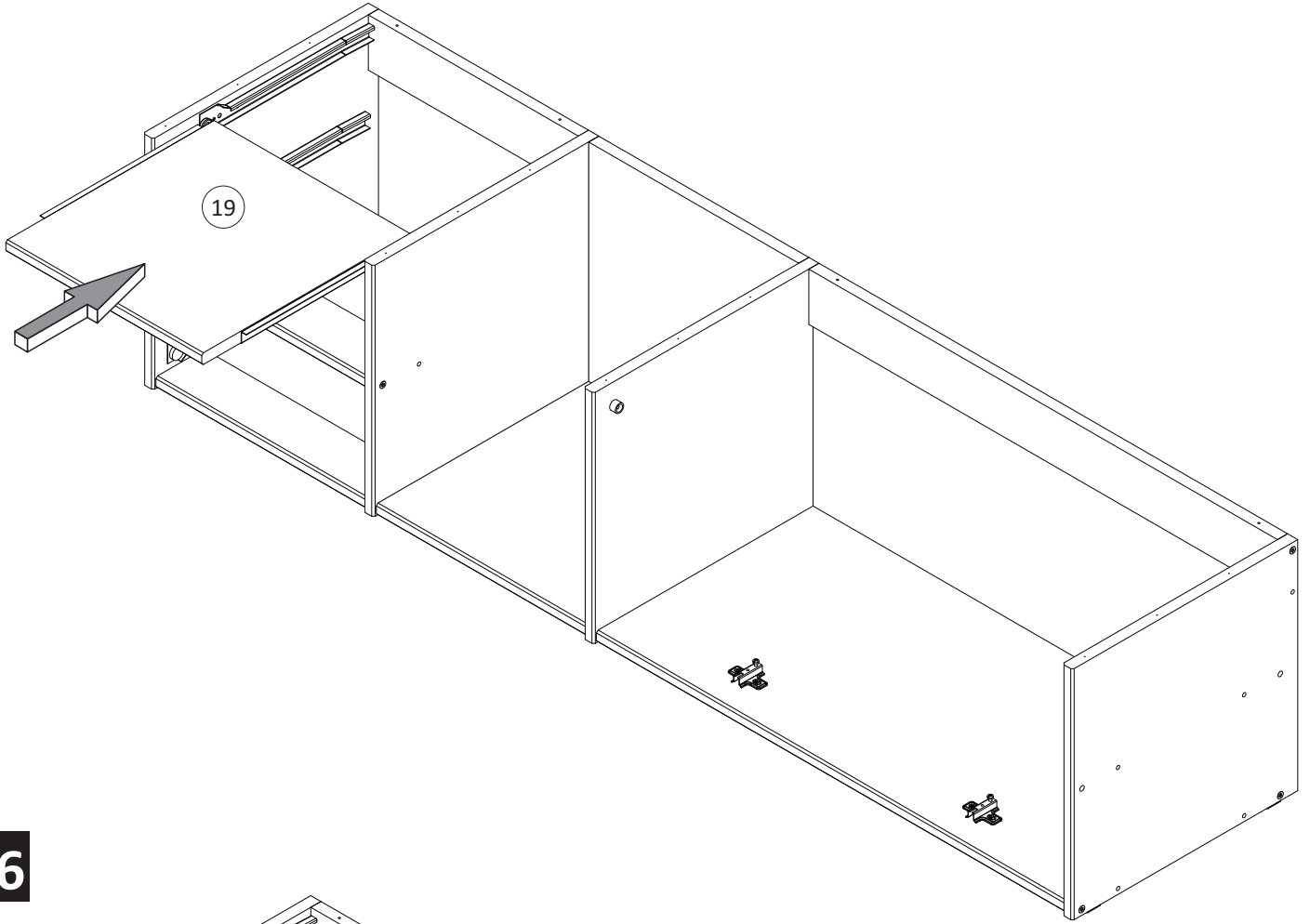
43



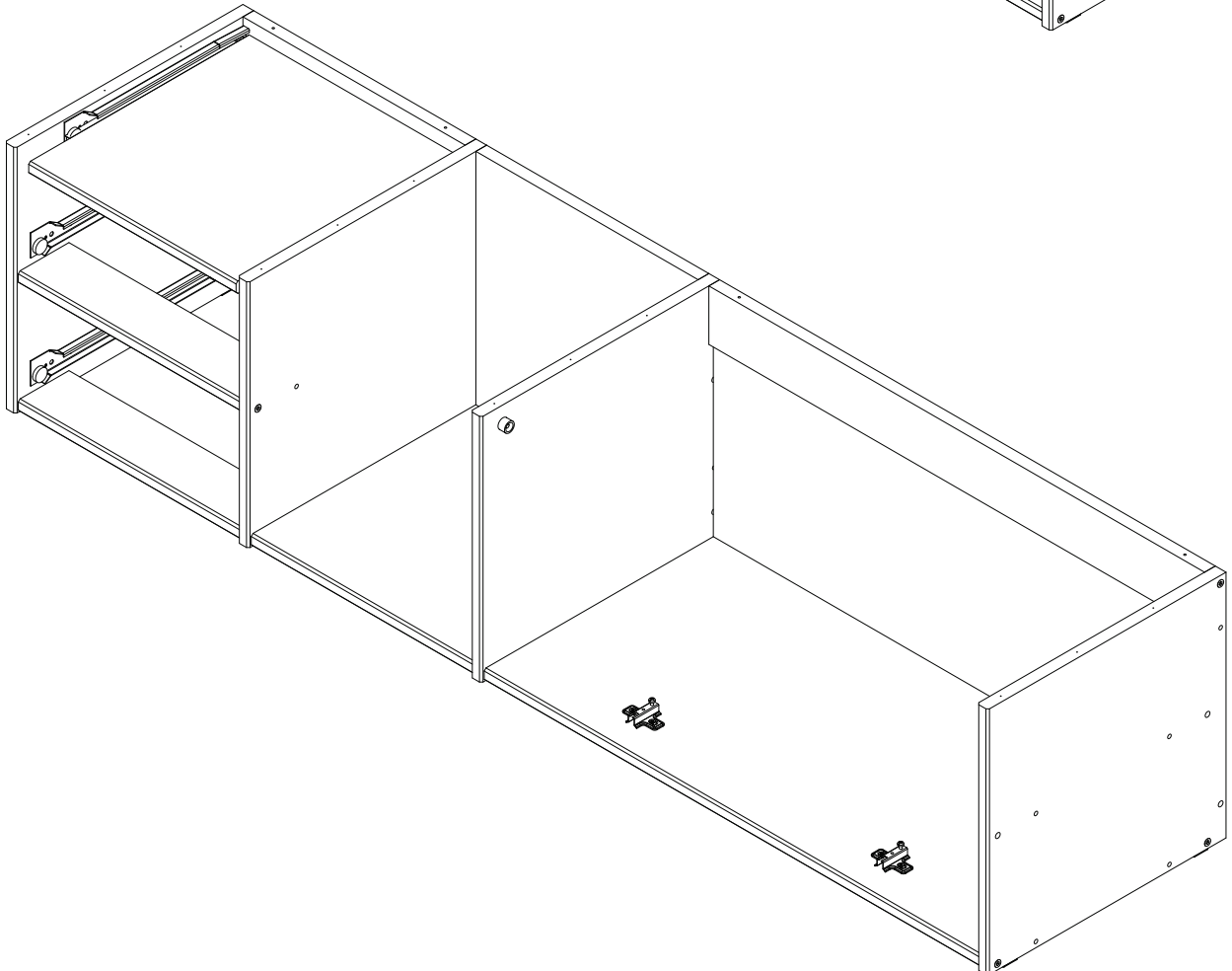
44

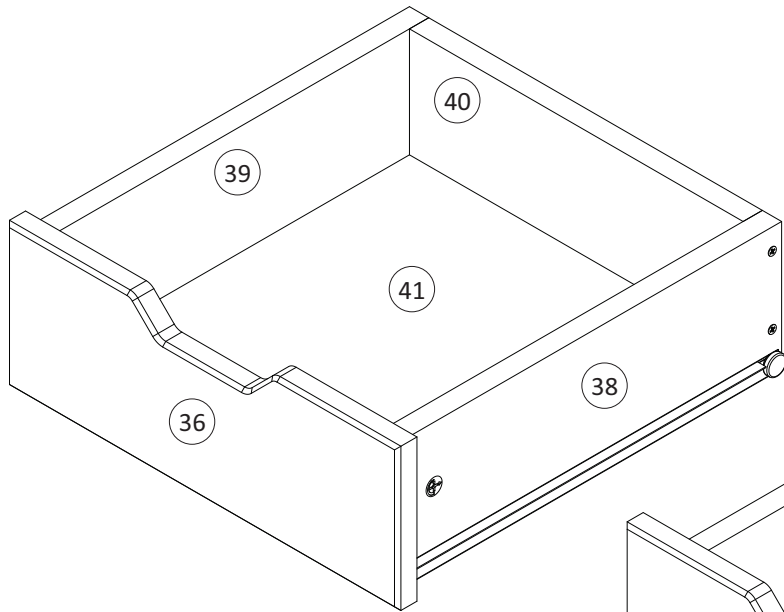


45

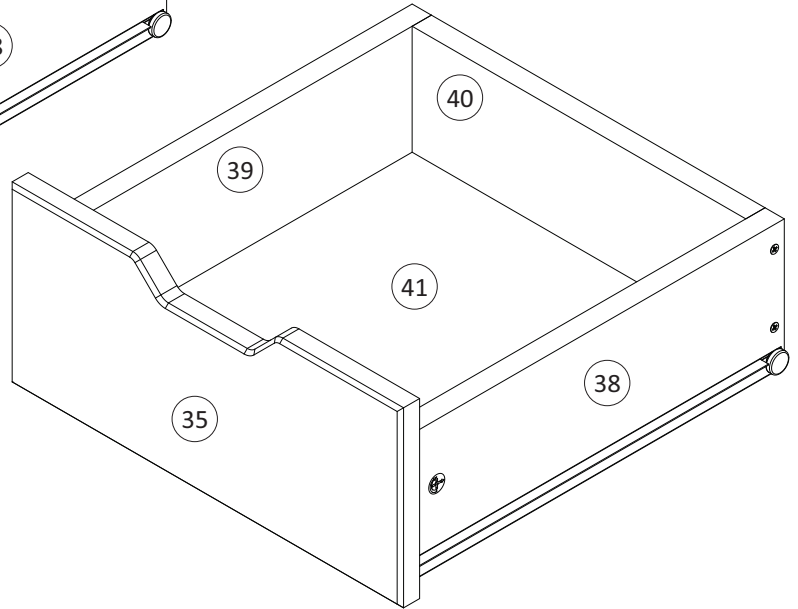


46

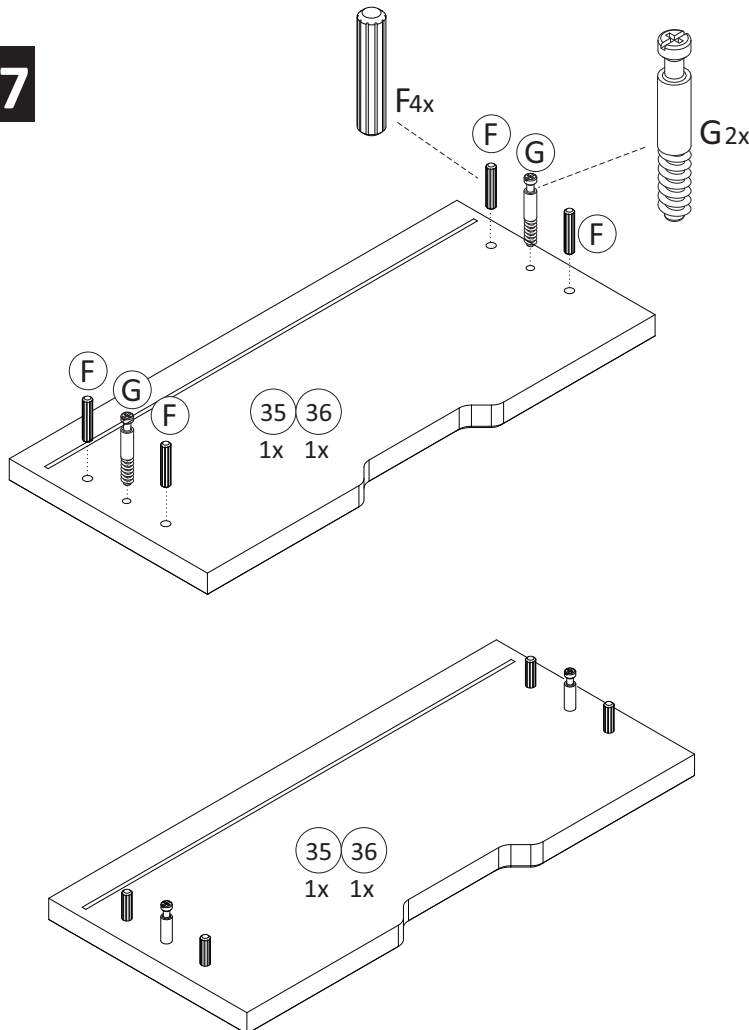




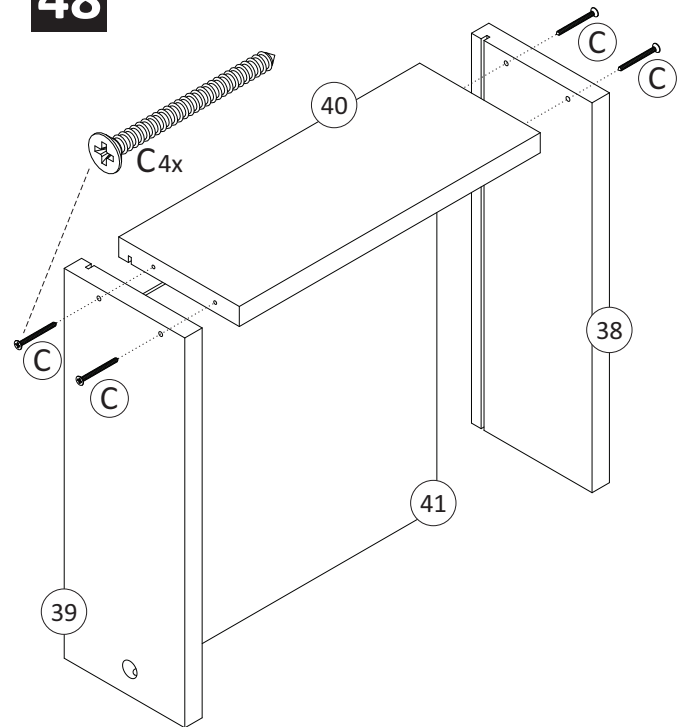
assemble the drawer and set aside to use in step **62**



47

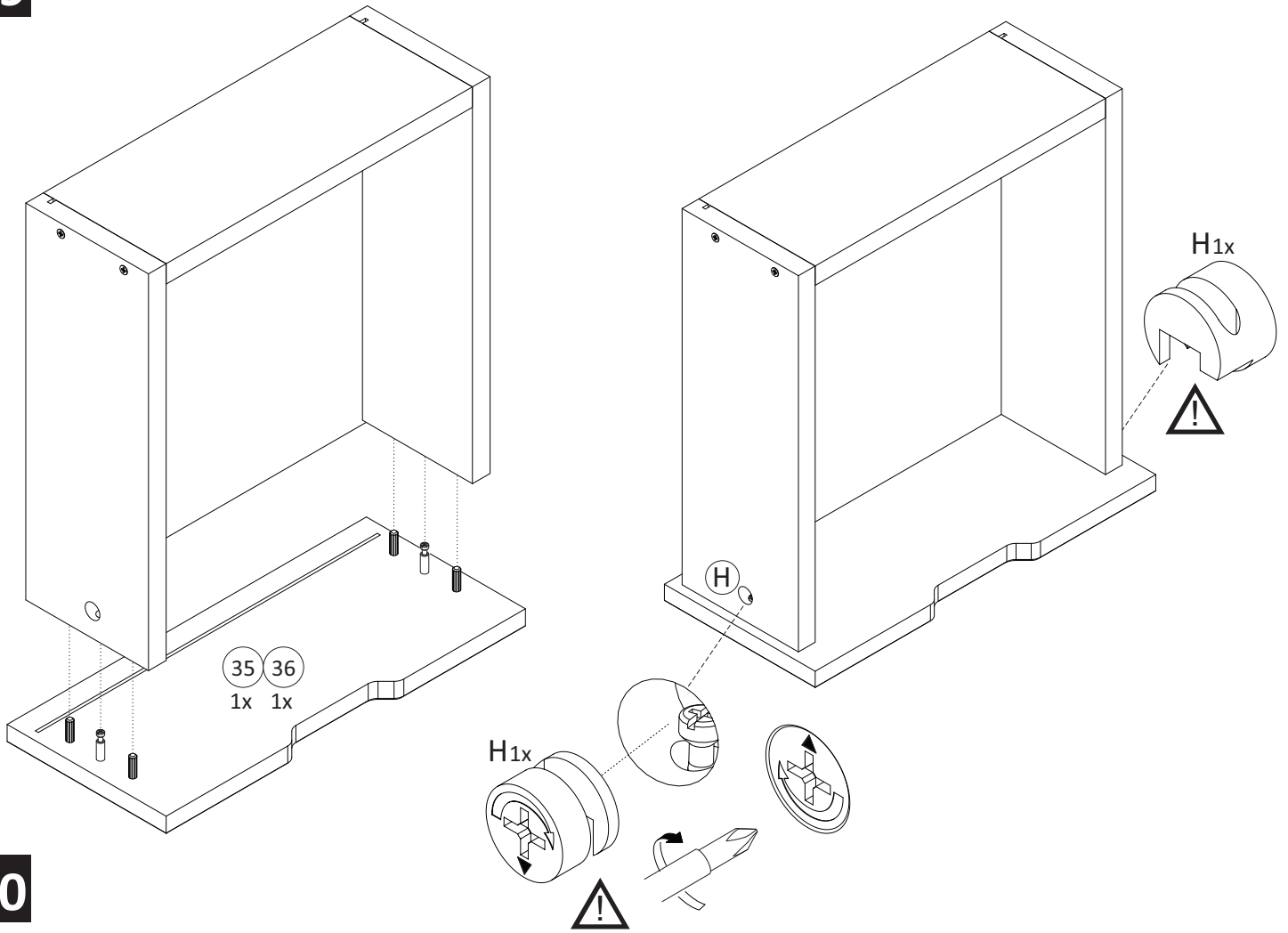


48

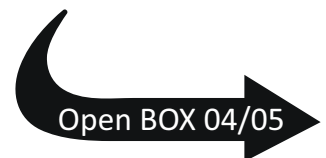
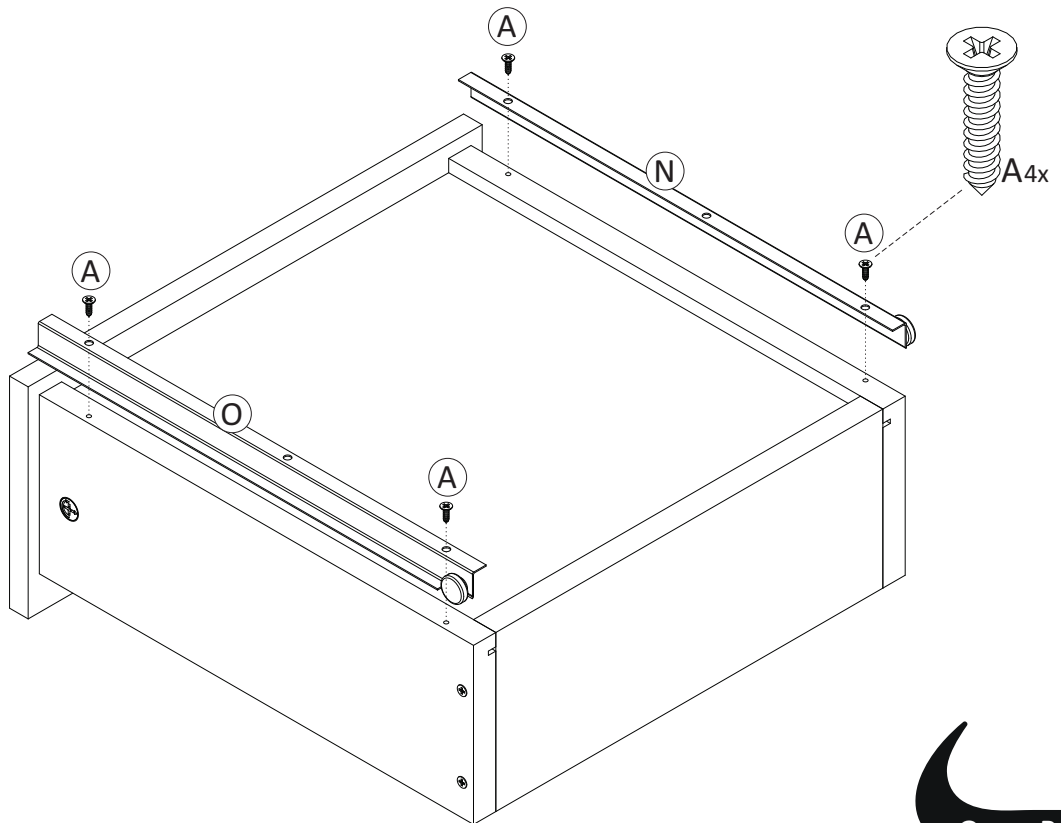


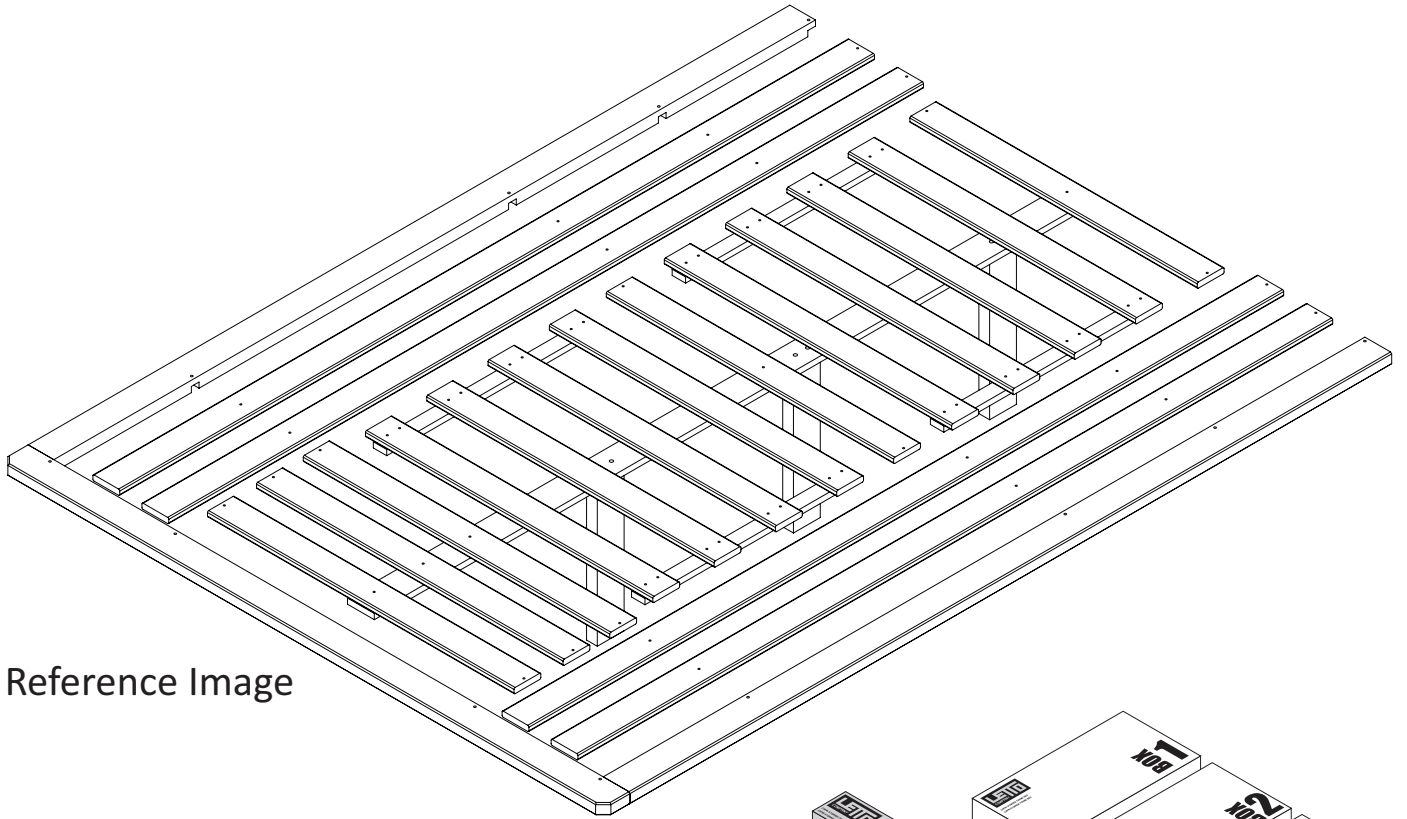
*Always start assembly with the fluted dowels.

49

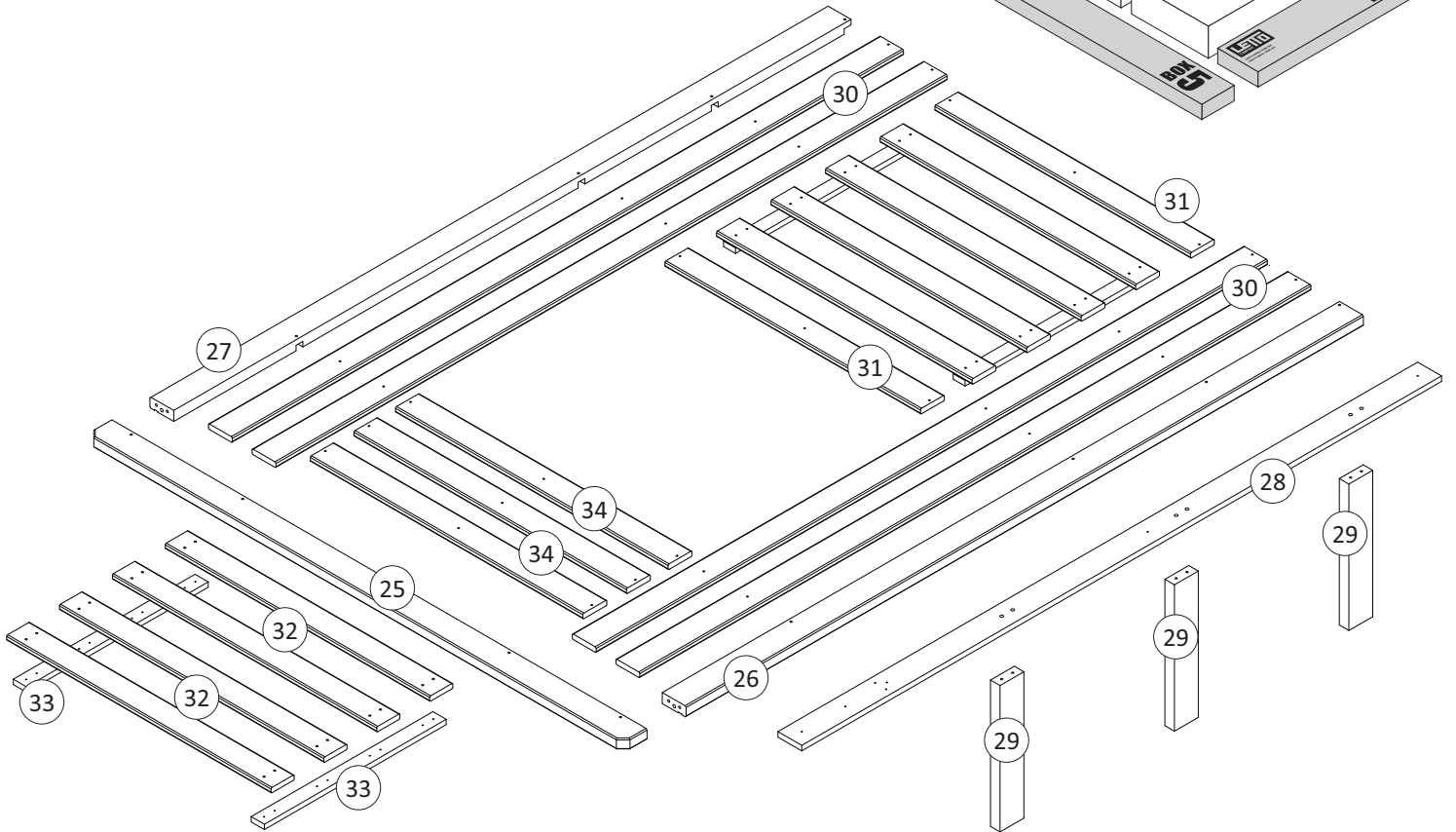
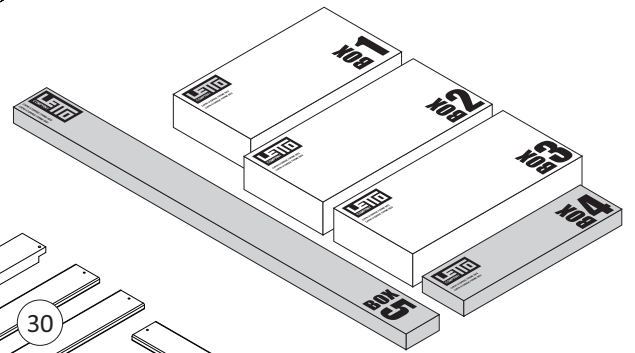


50



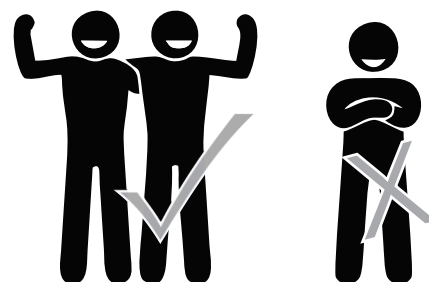


Reference Image

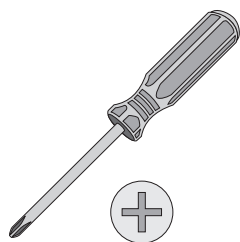


- Check items included to ensure that all components were received undamaged. Do not use damage or defective parts and please require replacement through our customer service at: support@lettocompany.com;
- Pay attention on instructions before installation, and follow it step by step;
- We recommend assembly over a carpet or something similar to avoid scratches on the floor and bed parts;
- Adults assembly required, Keep children and pets away during the mounting. There are small components used in the construction of this unit. These loose items should be kept away from children and pets during assembly, to avoid the danger of choking;
- Do not use this product for any purpose that is not as bed. Do not exceed weight capacity. We cannot be liable for damage or injury caused by improper mounting, incorrect assembly or inappropriate use;
- Preserving this document is essential for the proper maintenance of your furniture.

*Always start assembly with the fluted dowels.



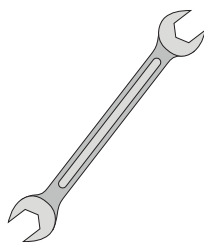
Tools Needed (NOT Included)



Phillips Screwdriver

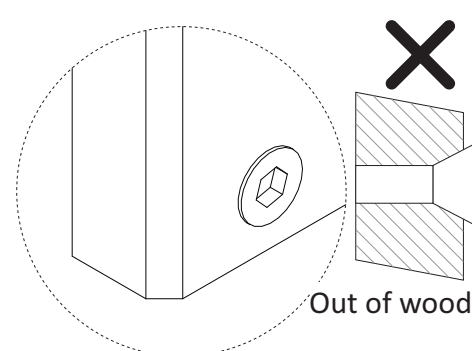
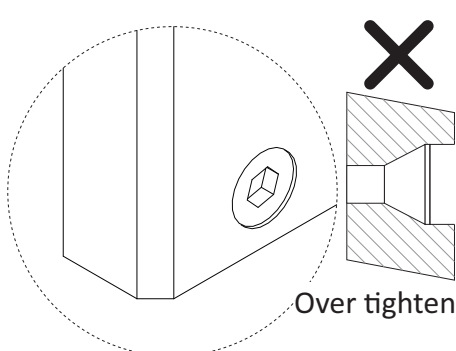
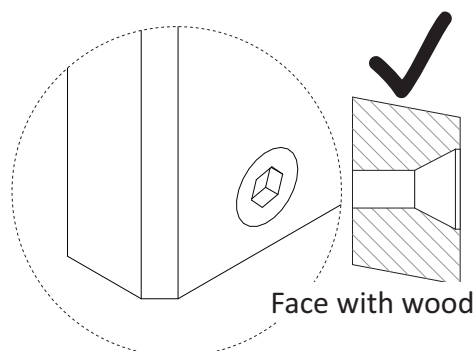


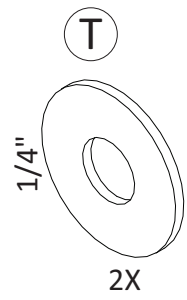
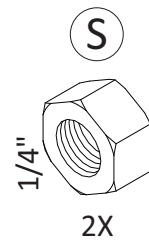
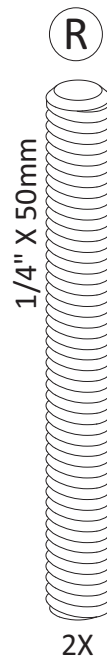
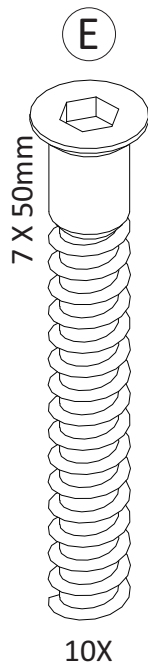
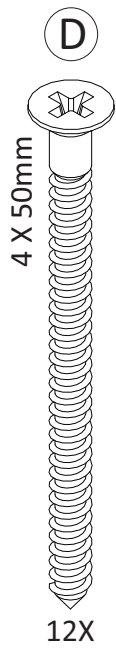
Rubber Hammer



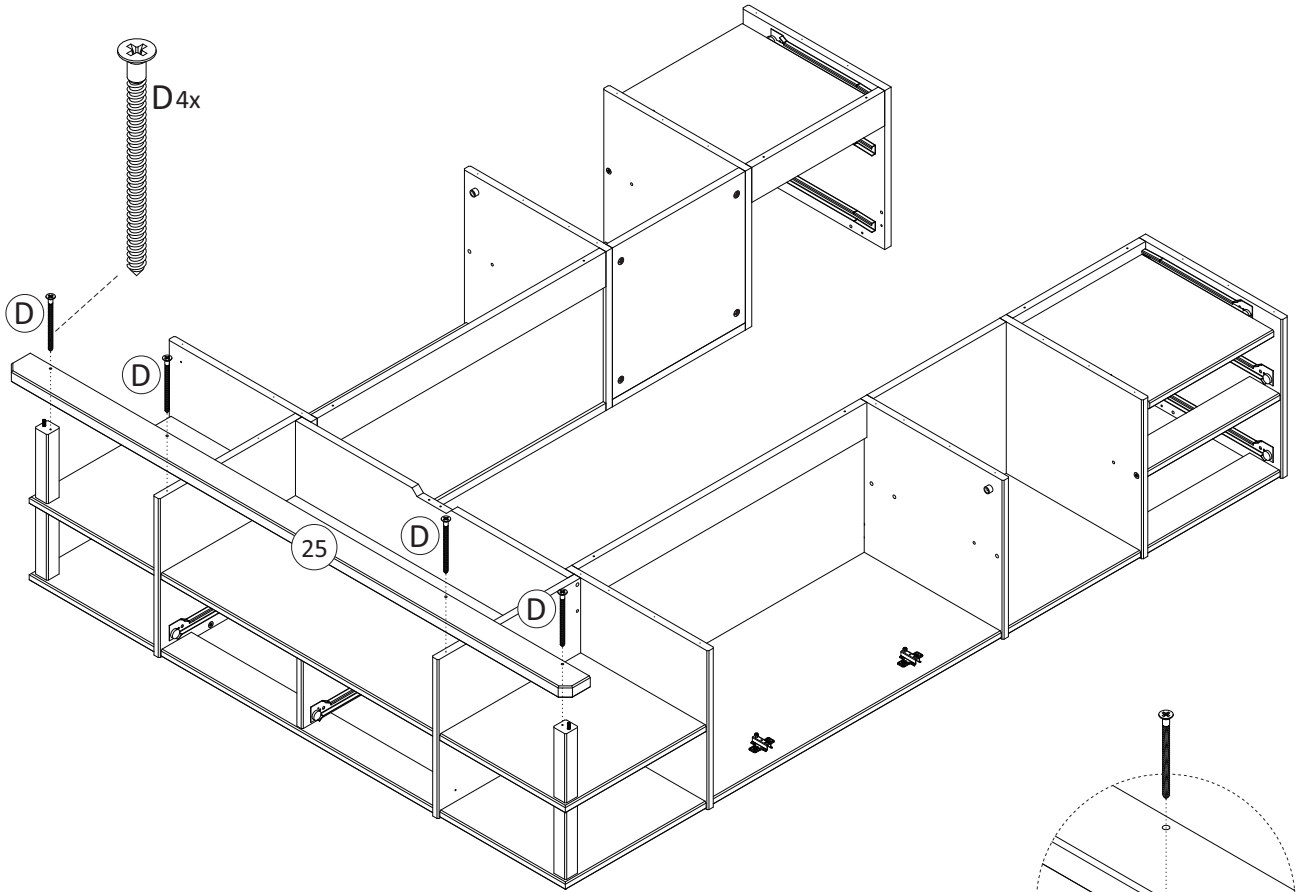
Wrench 7/16"

How far to tighten the screws :

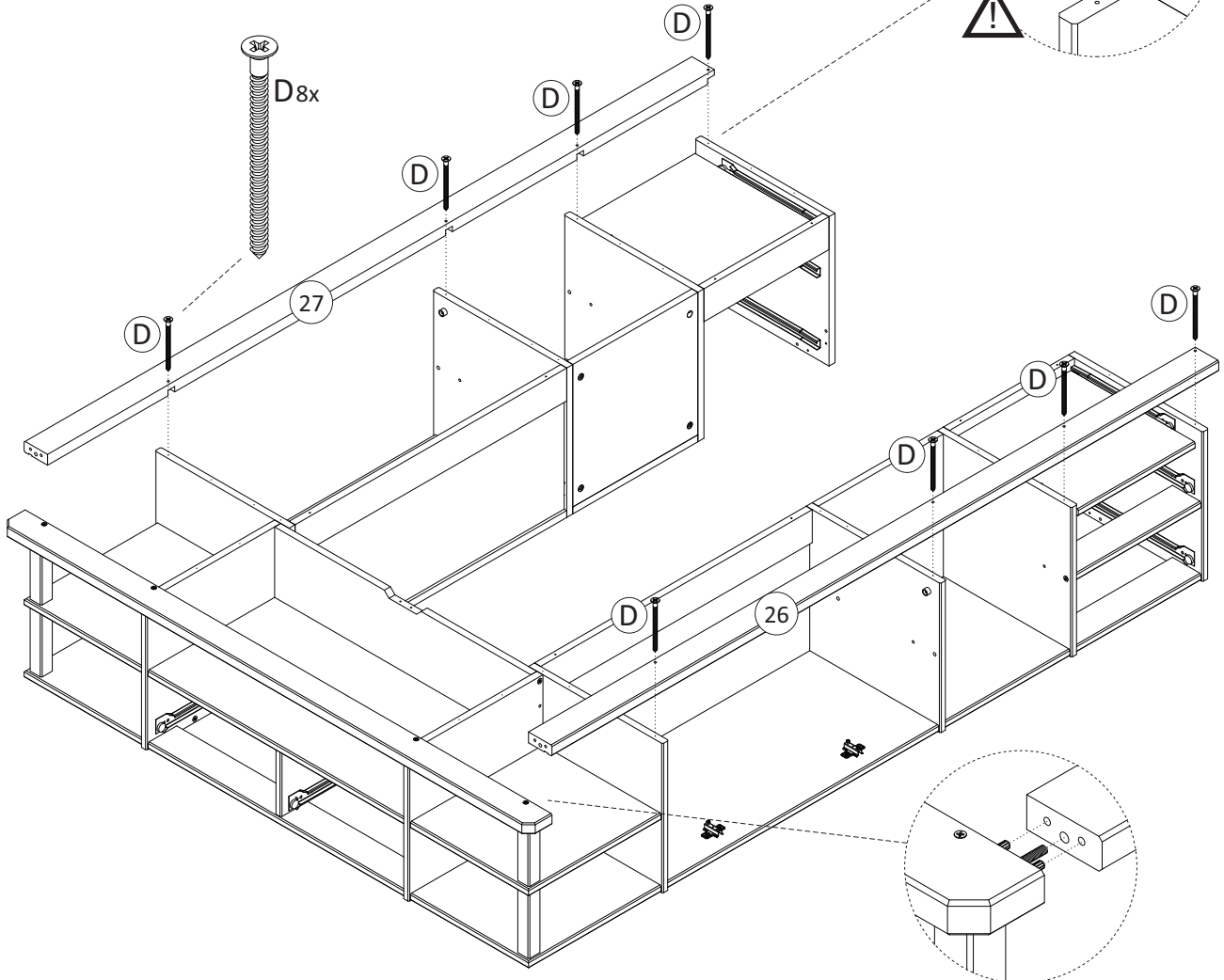




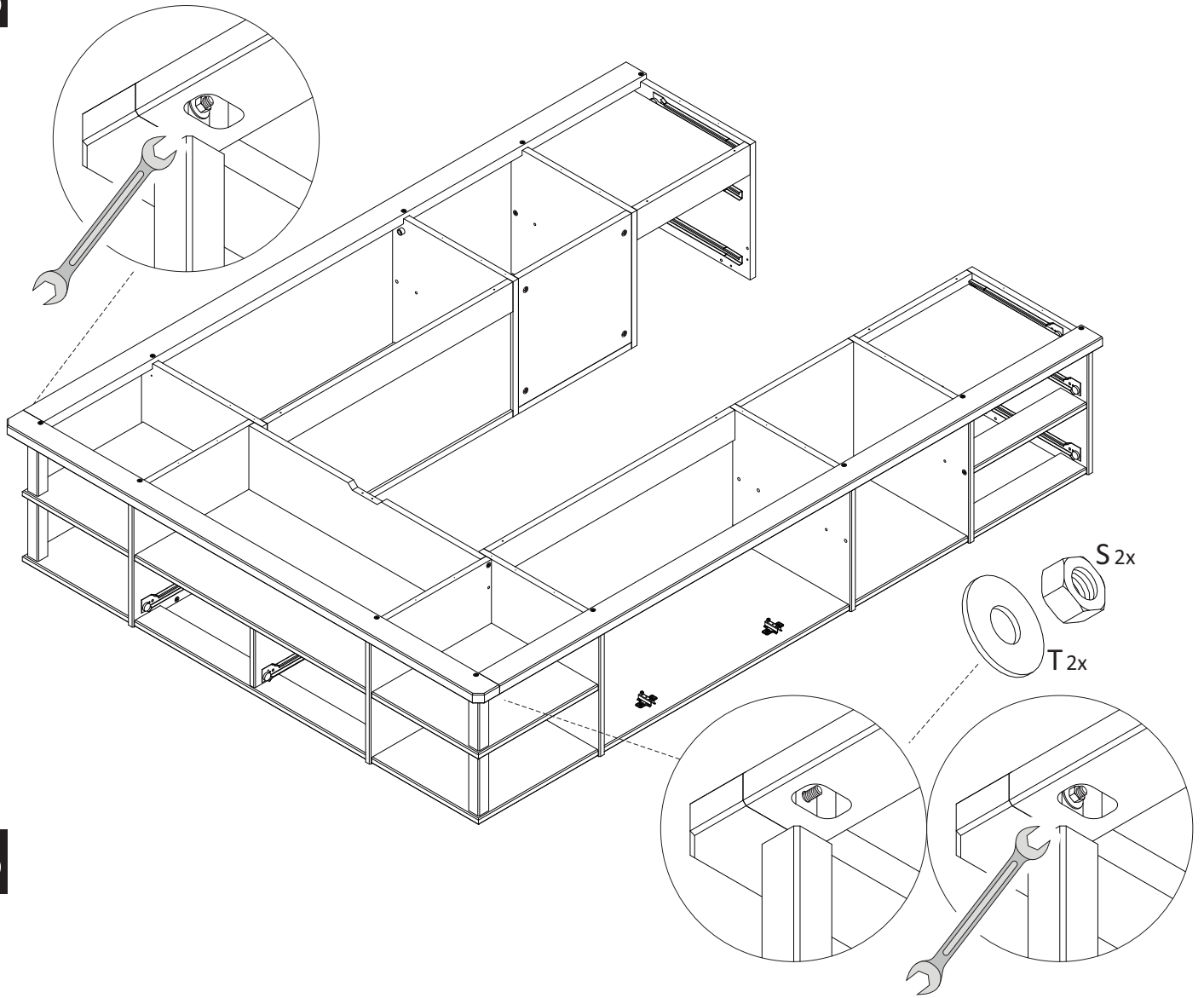
53



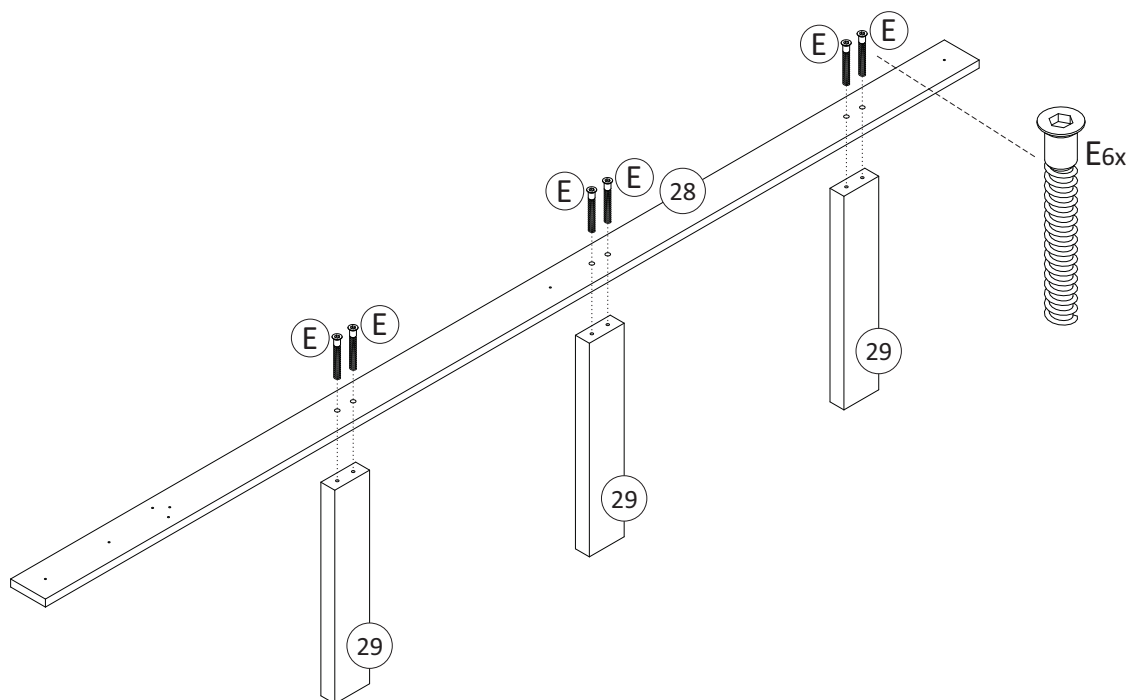
54



55

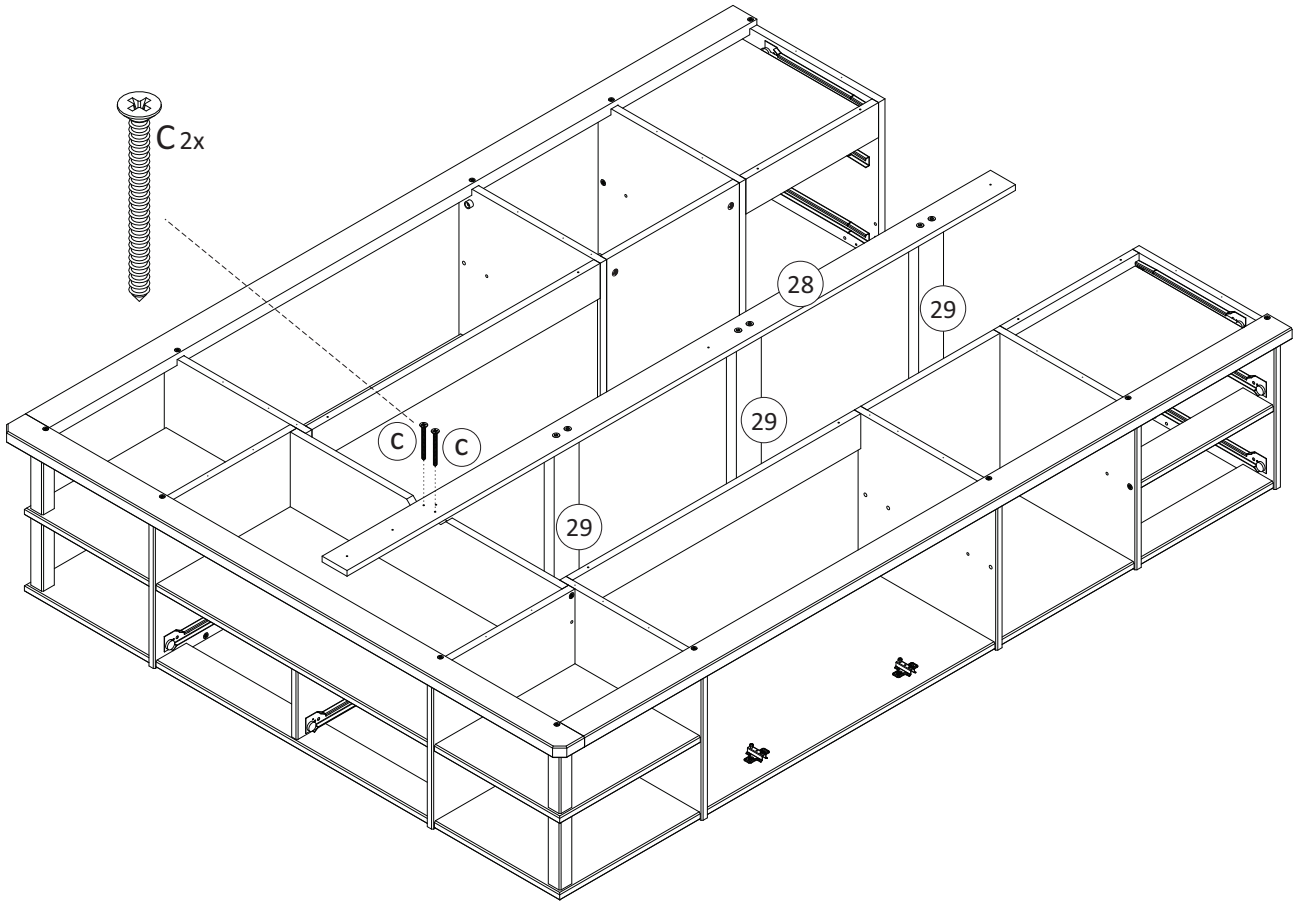


56

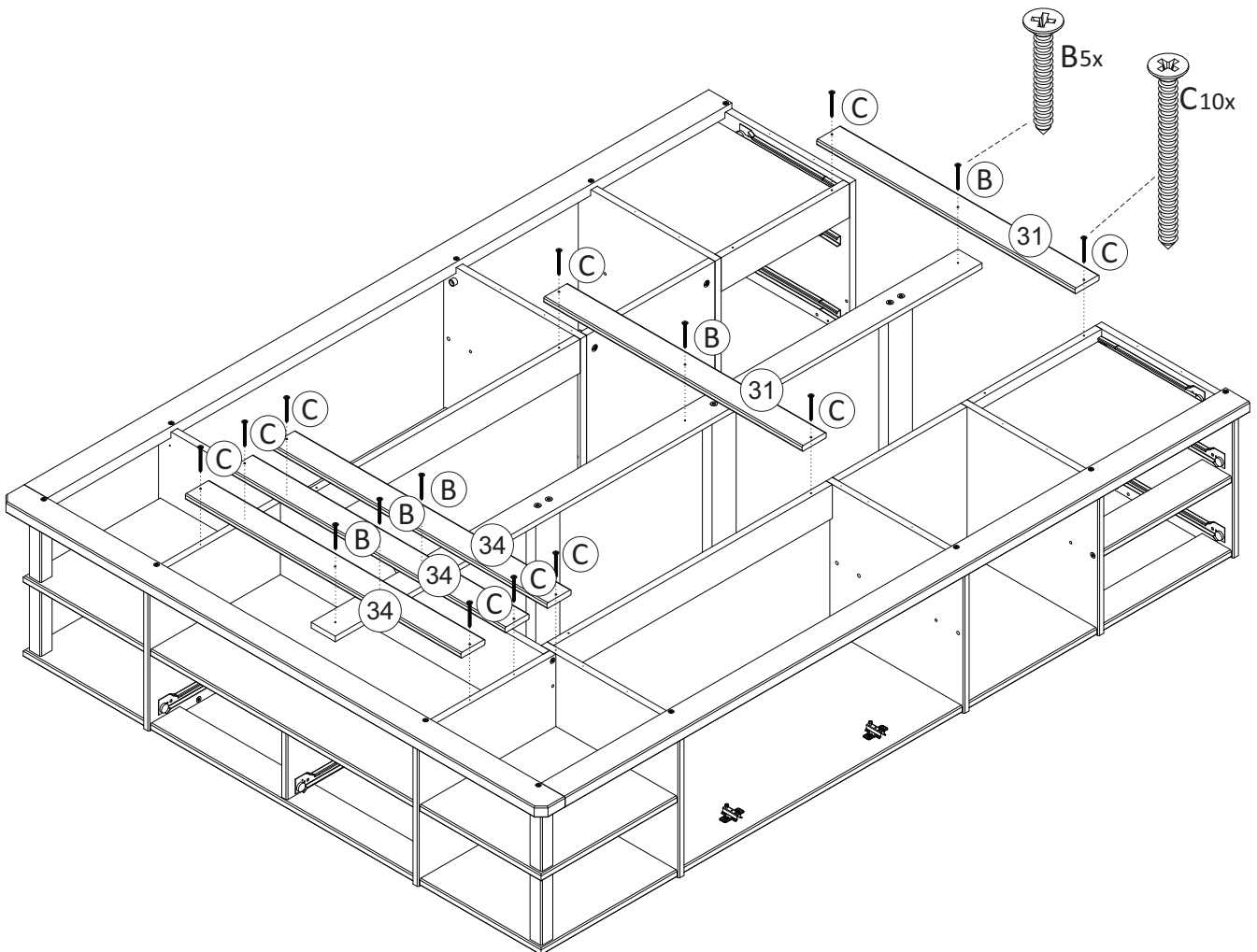


*Always start assembly with the fluted dowels.

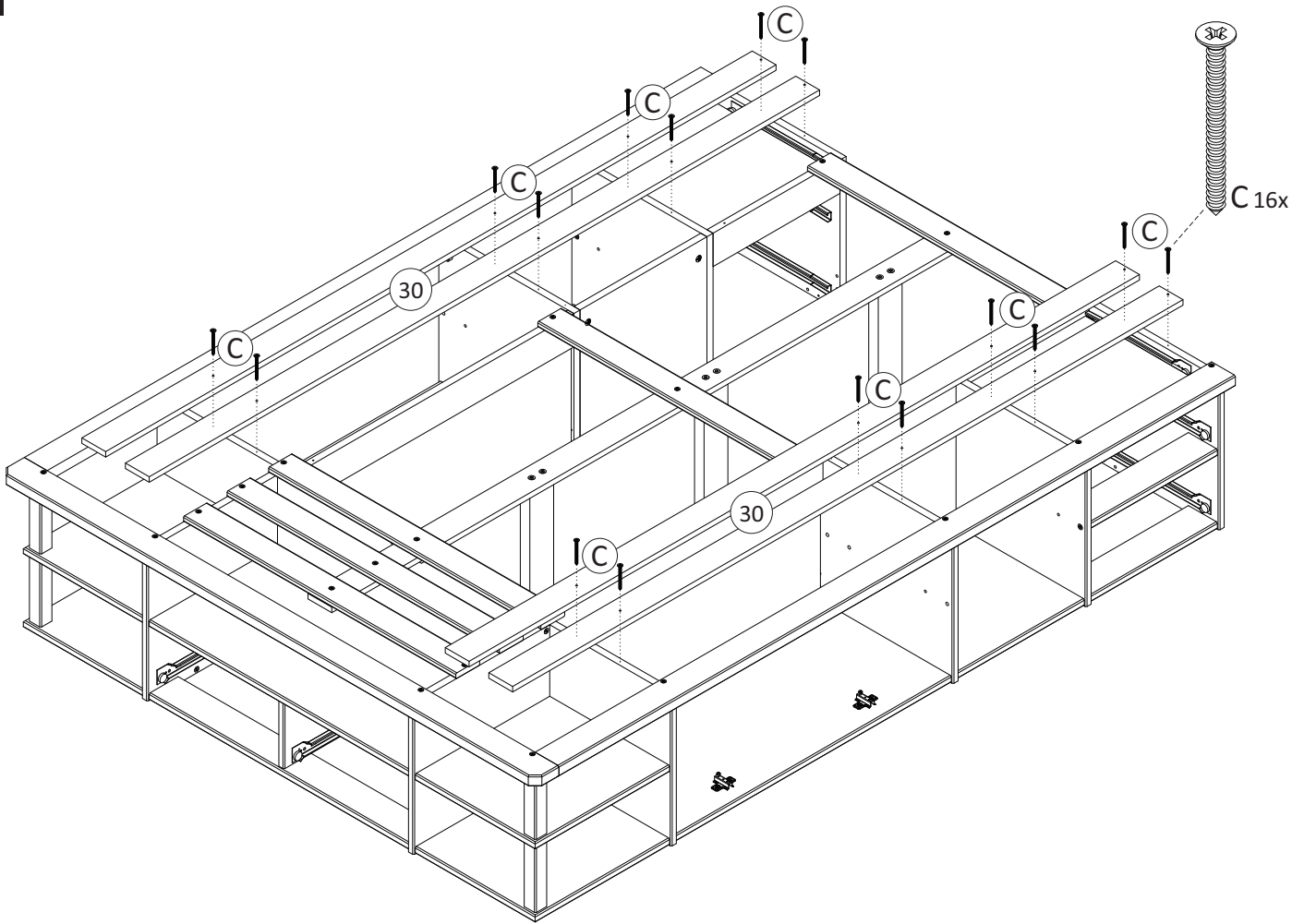
57



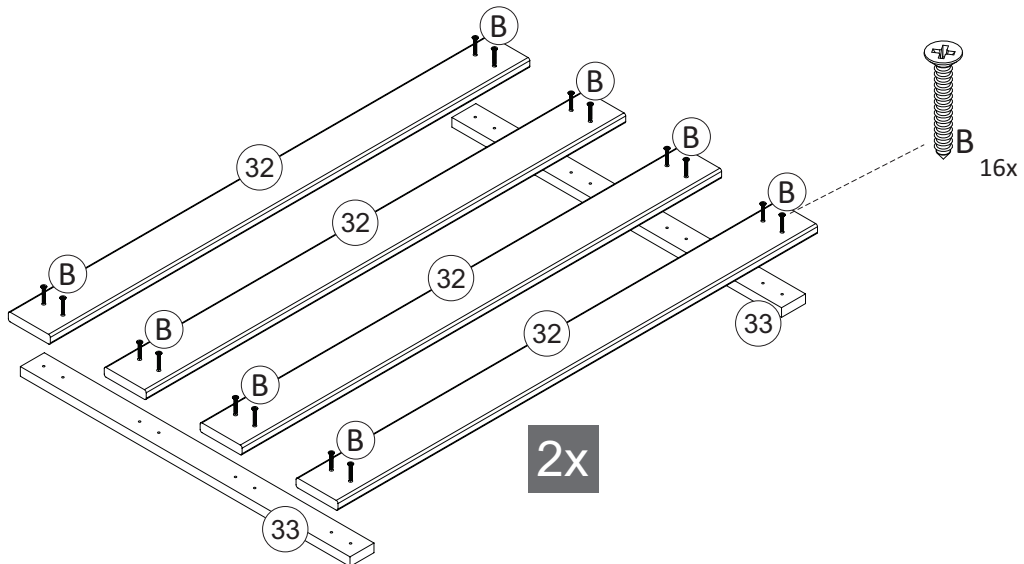
58



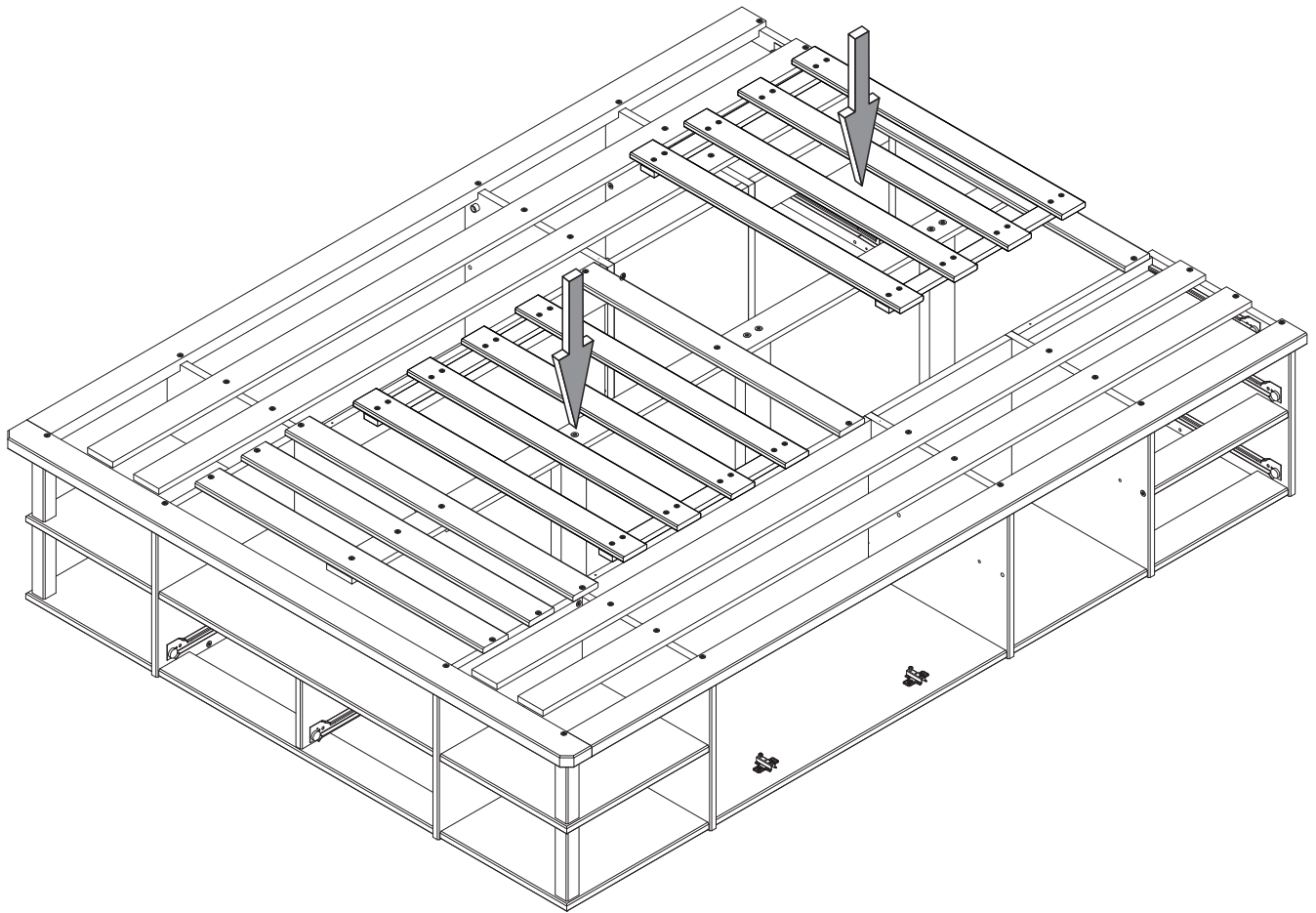
59



60

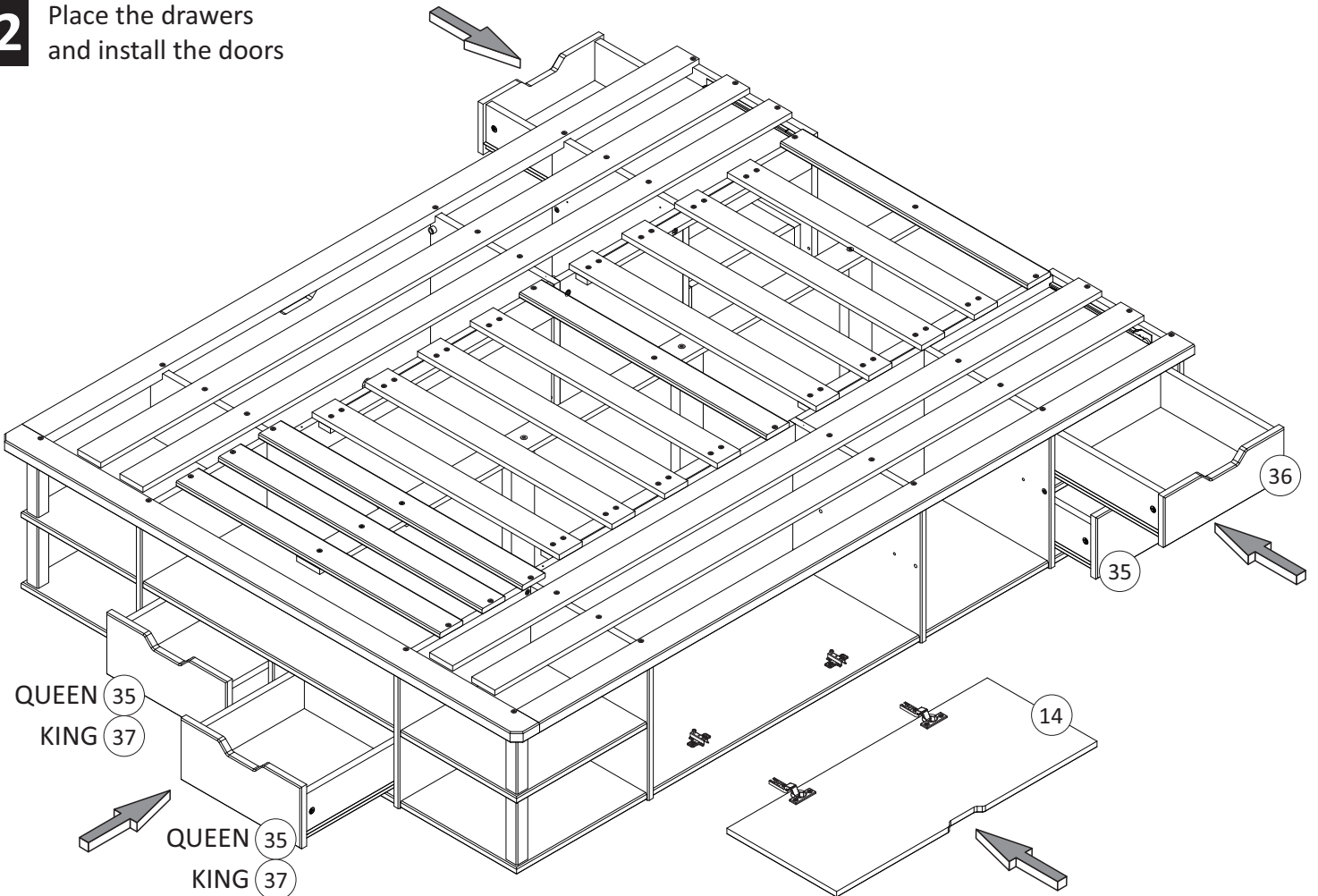


61

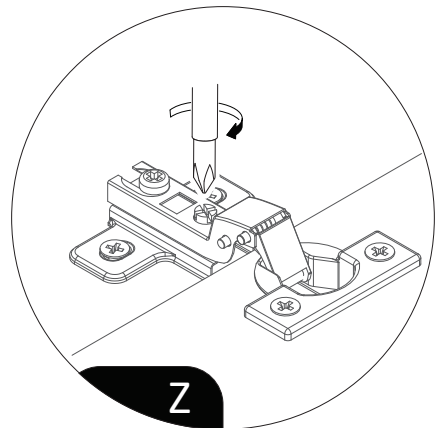
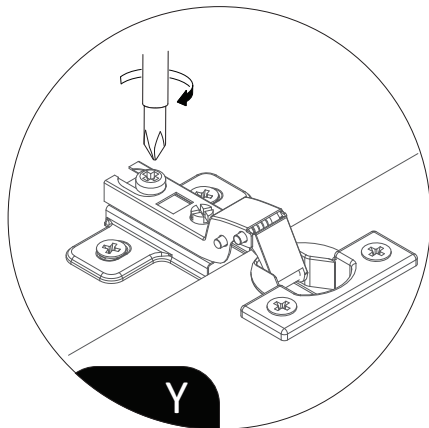
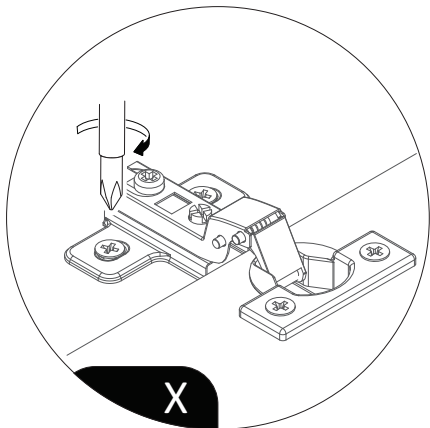
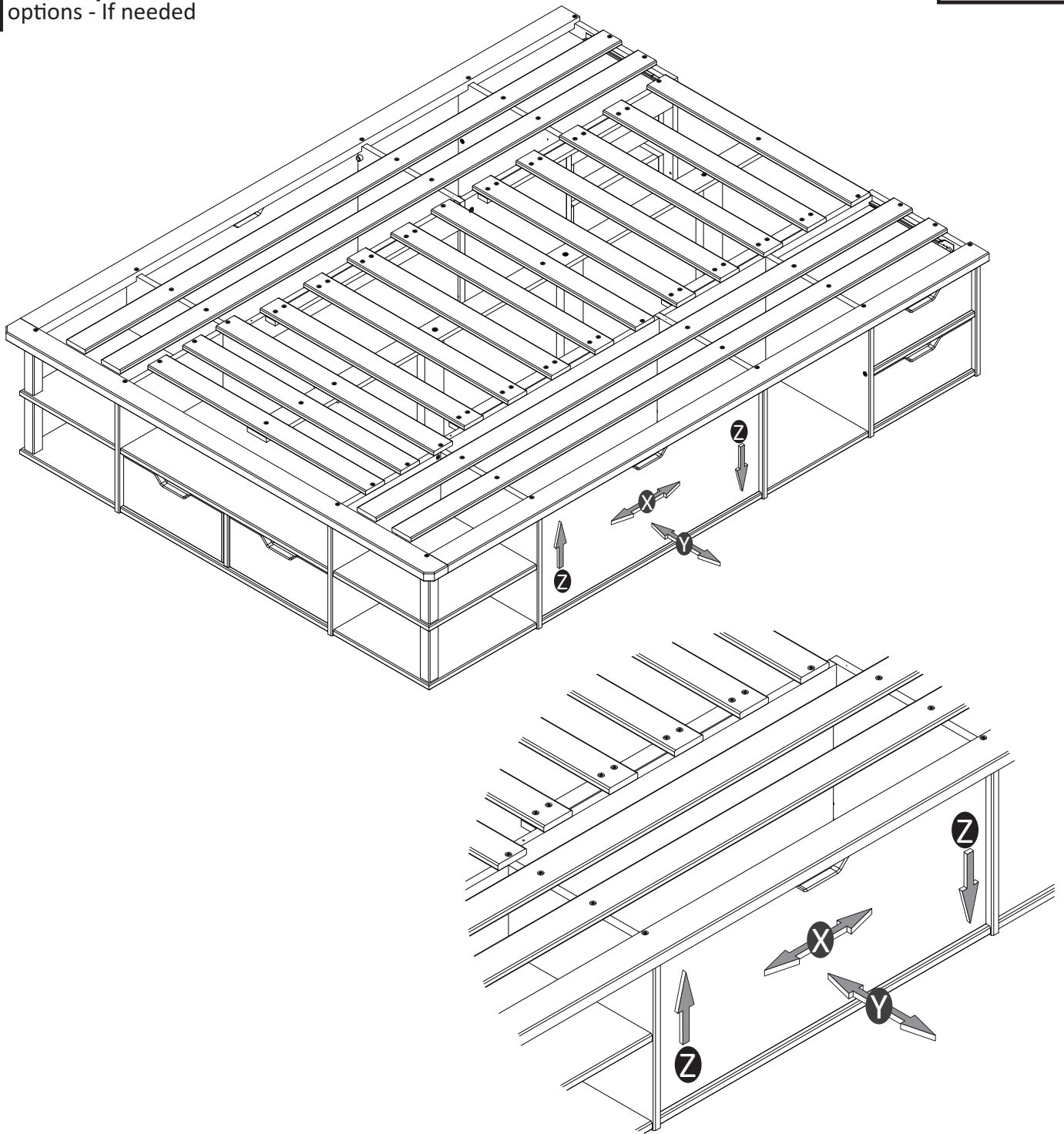


62

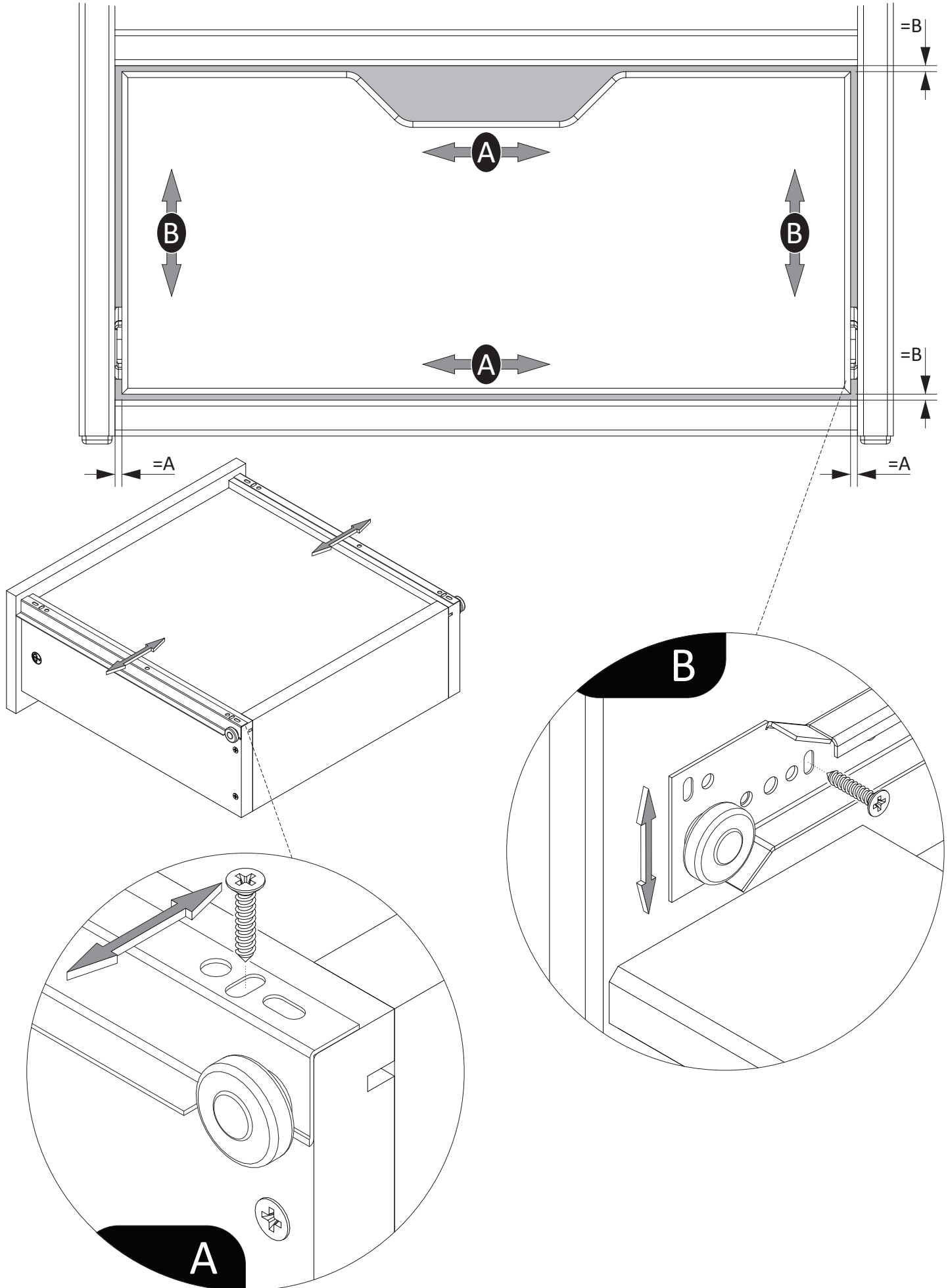
Place the drawers and install the doors

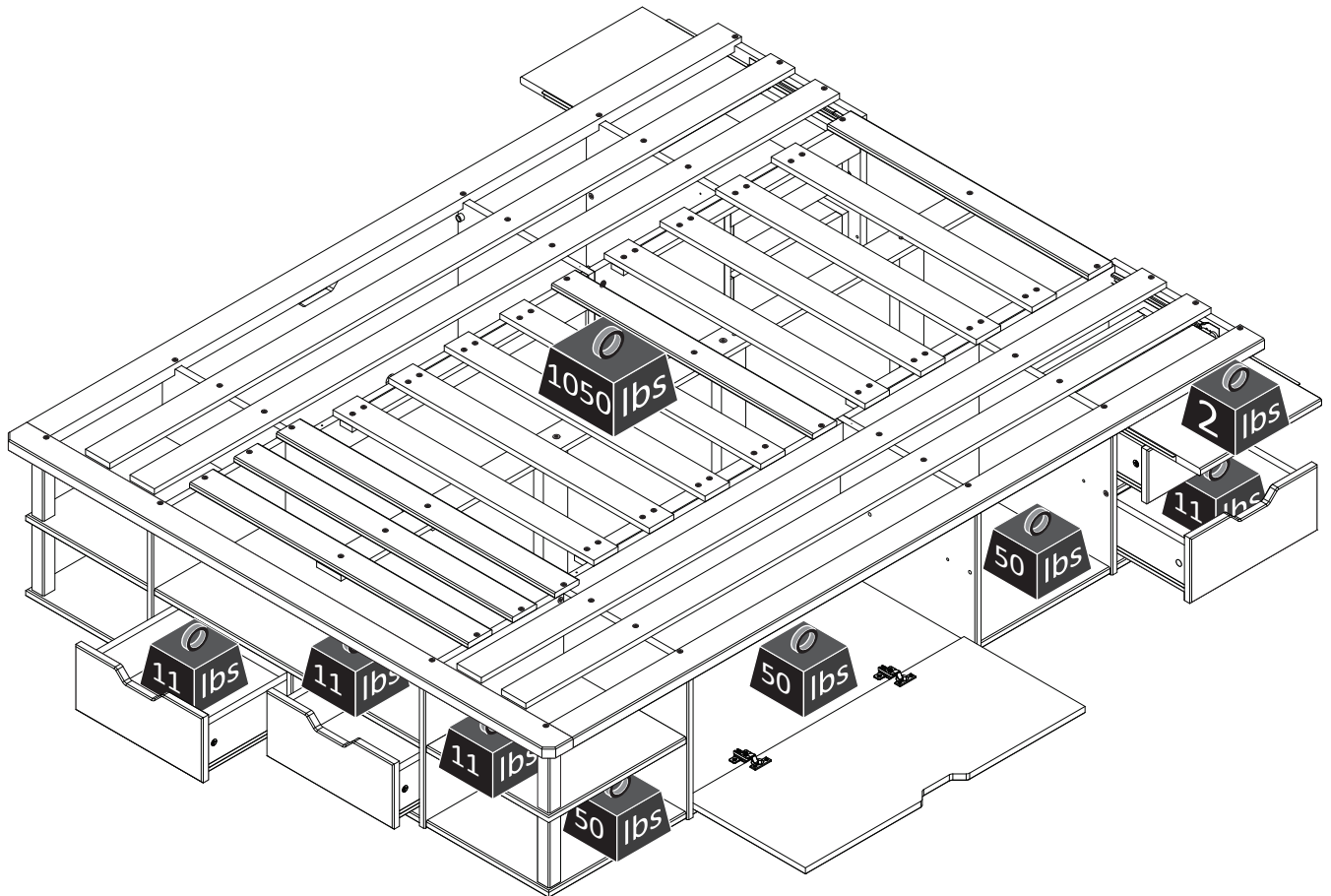


63 Door adjustment options - If needed



64 Draw adjustment options - If needed





*Maximum Weight Recommendation – 1,050 Pounds spreaded through the bed frame

Cleaning and Maintenance

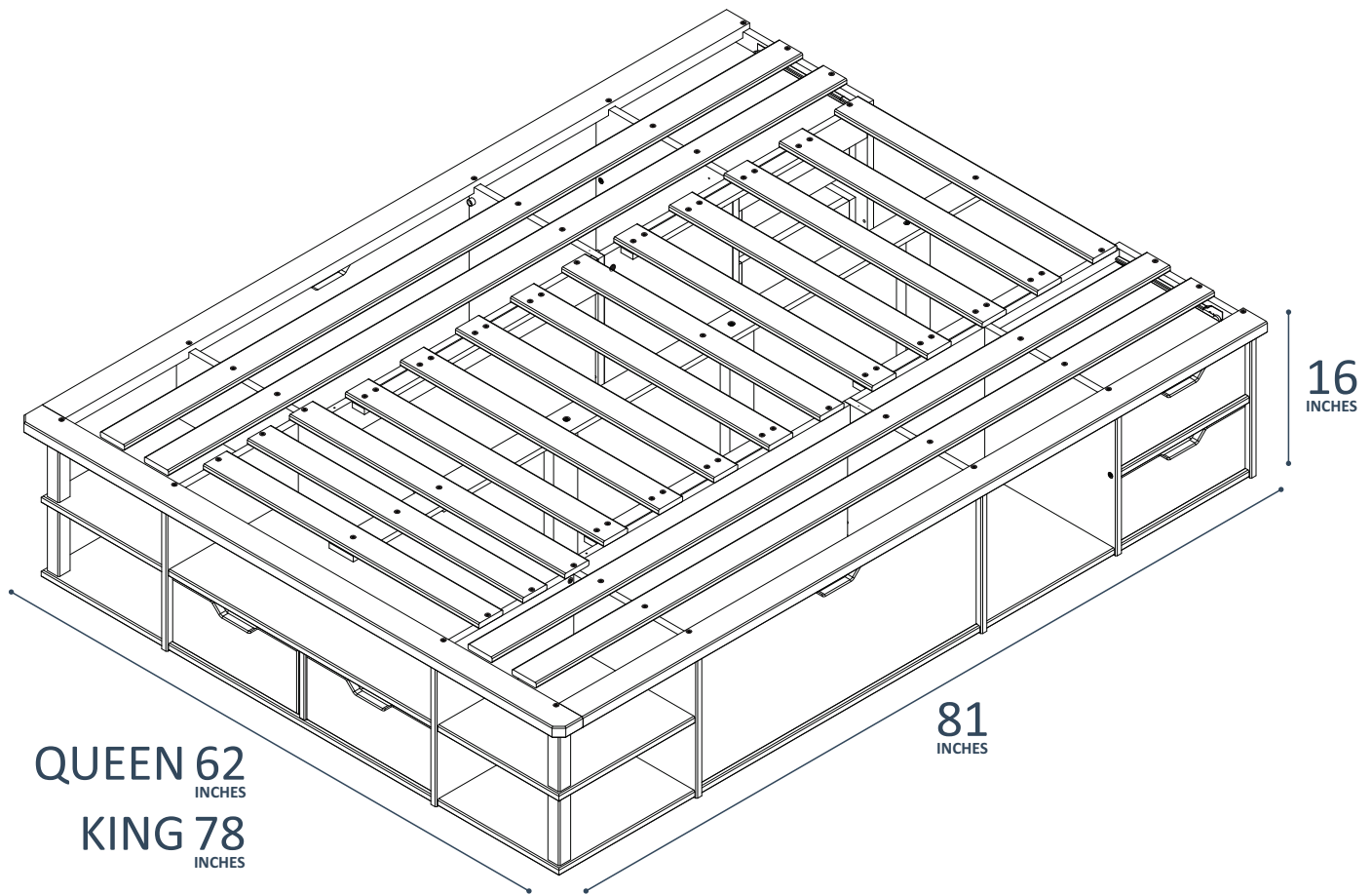
Only use a dry or damp soft cloth to clean your bed

DO NOT use any cleaning products as they may stain the wood

DO NOT step on drawers and shelves

DO NOT lift the bed by the corner

Periodically check and tighten hardware as necessary



**Thank you again
for choosing this LETTO COMPANY product!**

All of us at LETTO appreciate your product purchase. We hope that you are as happy with your product as we are designing and manufacturing it for you. We strive to provide you with the best quality products and customer service. If you have any issue, please don't hesitate contacting us:
support@lettocompany.com