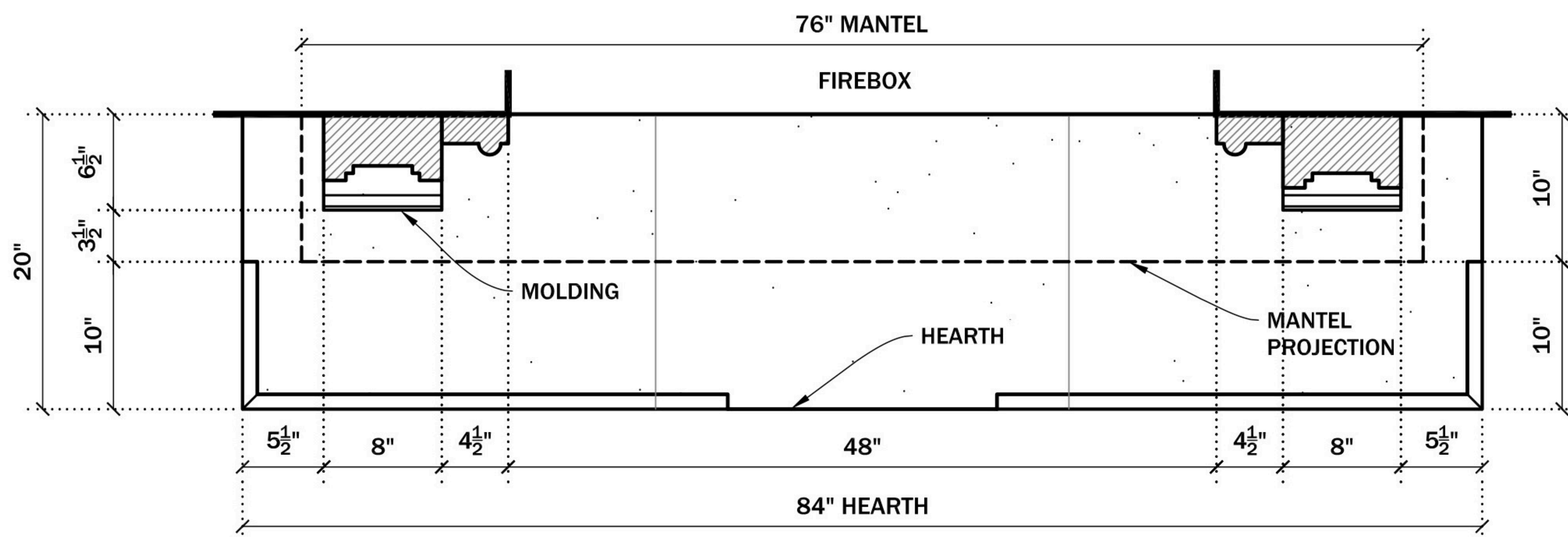
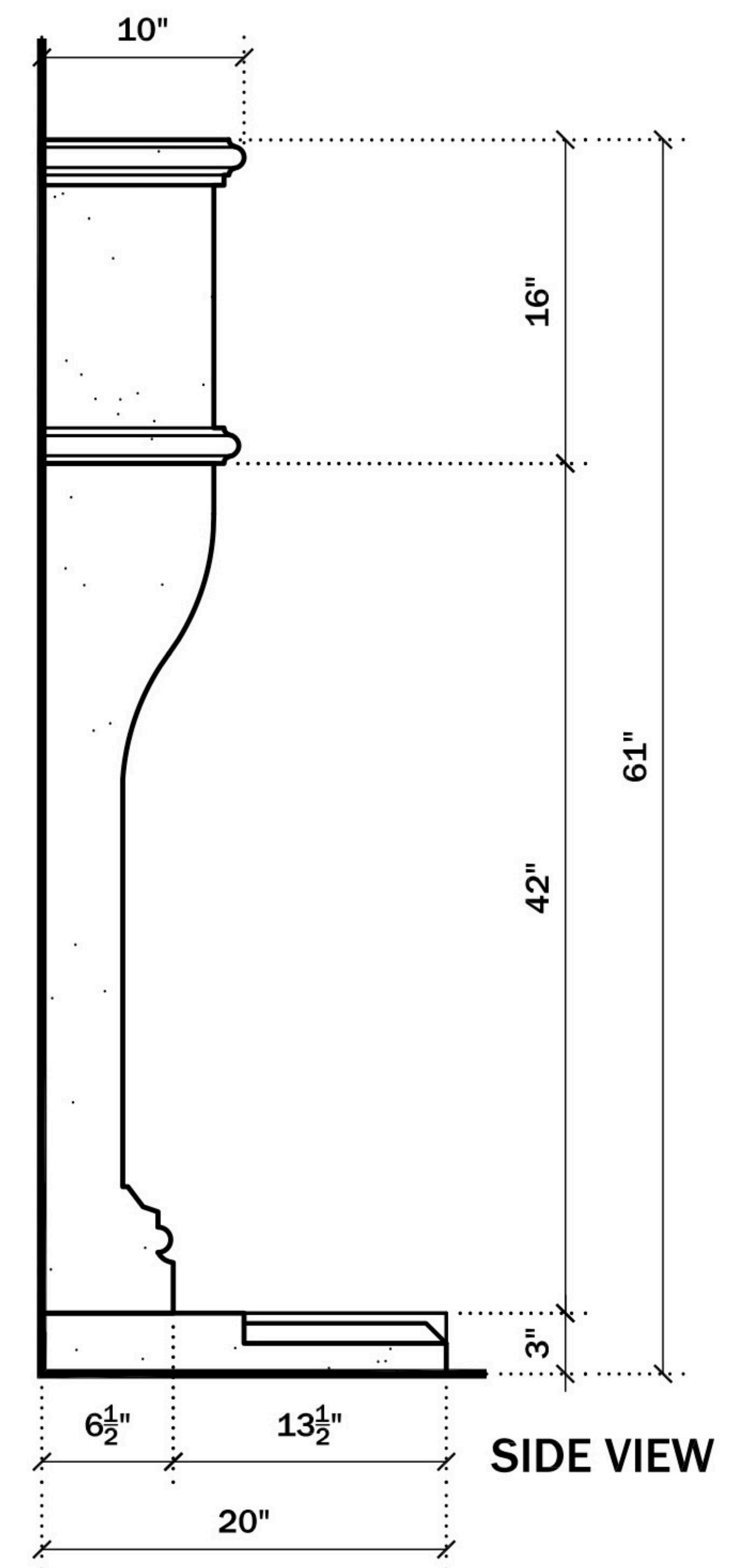
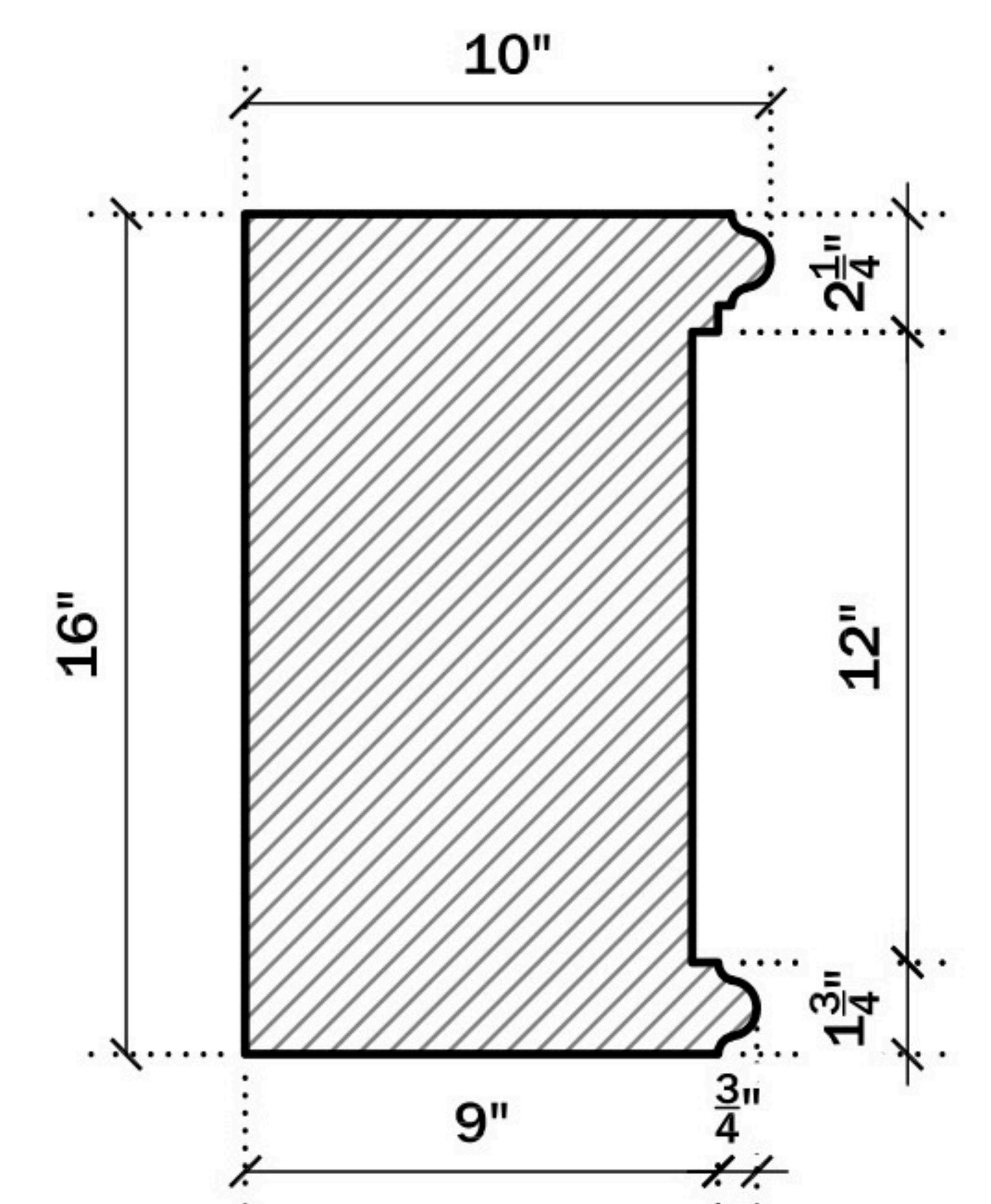


FRONT ELEVATION



PLAN VIEW



MANTEL PROFILE

WFR-Eastern Sultan
 ARCHITECTURAL STONE ELEMENTS, LLC.

Scale: 3/4" = 1'-0"