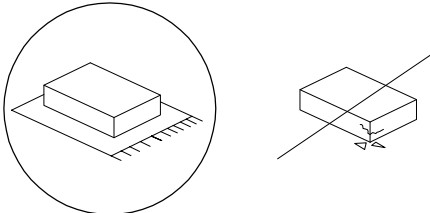
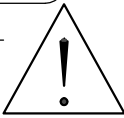
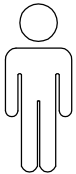
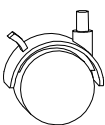
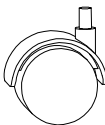


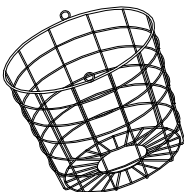
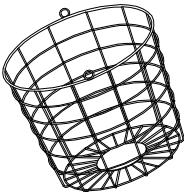
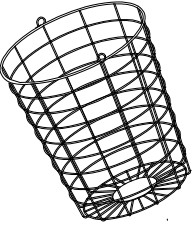
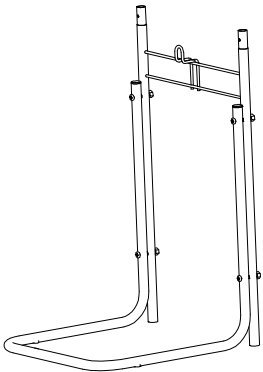
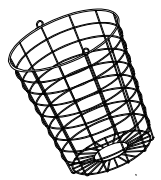
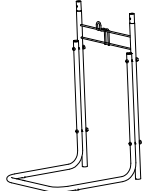
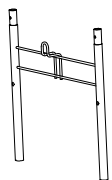
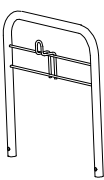
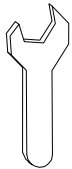
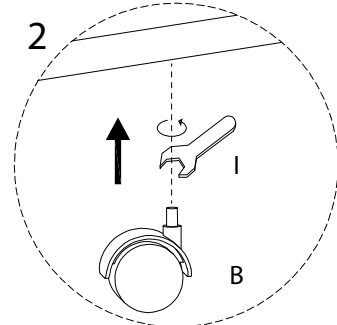
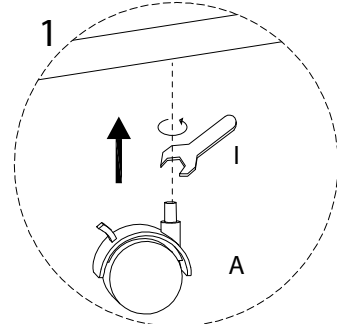
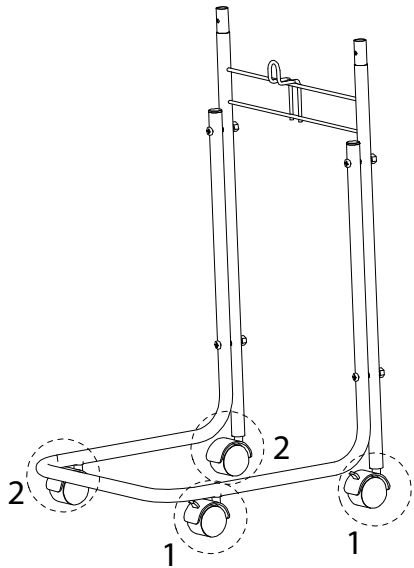
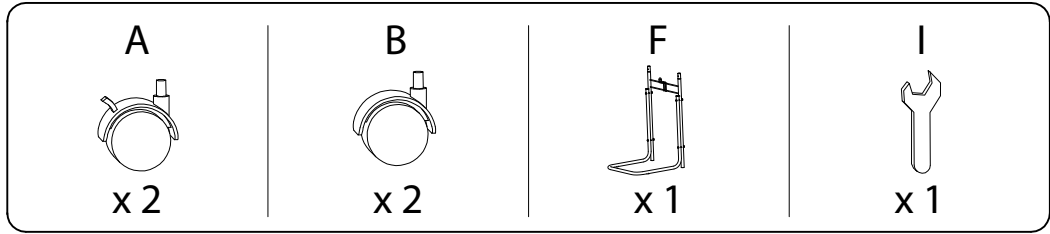

		15'
		
		1

A	B	C	D
			
x2	x2	x3	x2

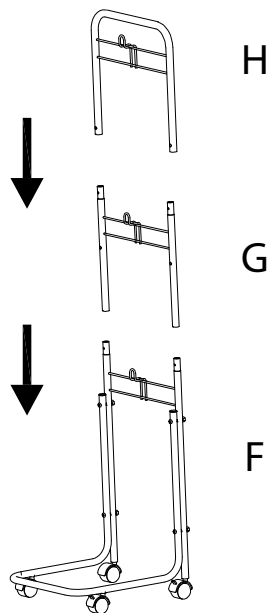
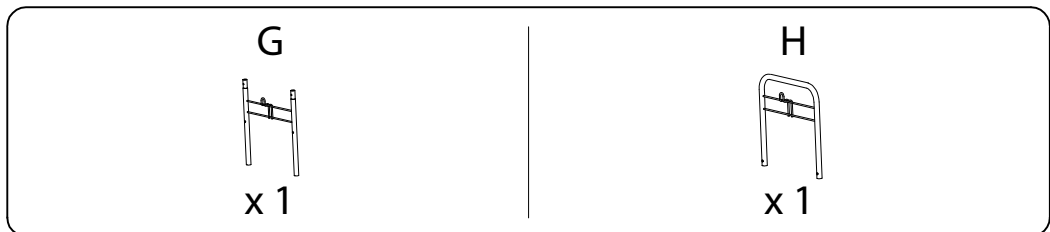
D		H
D		G
E		F
		

E	F	G	H	I
				
x1	x1	x1	x1	x1

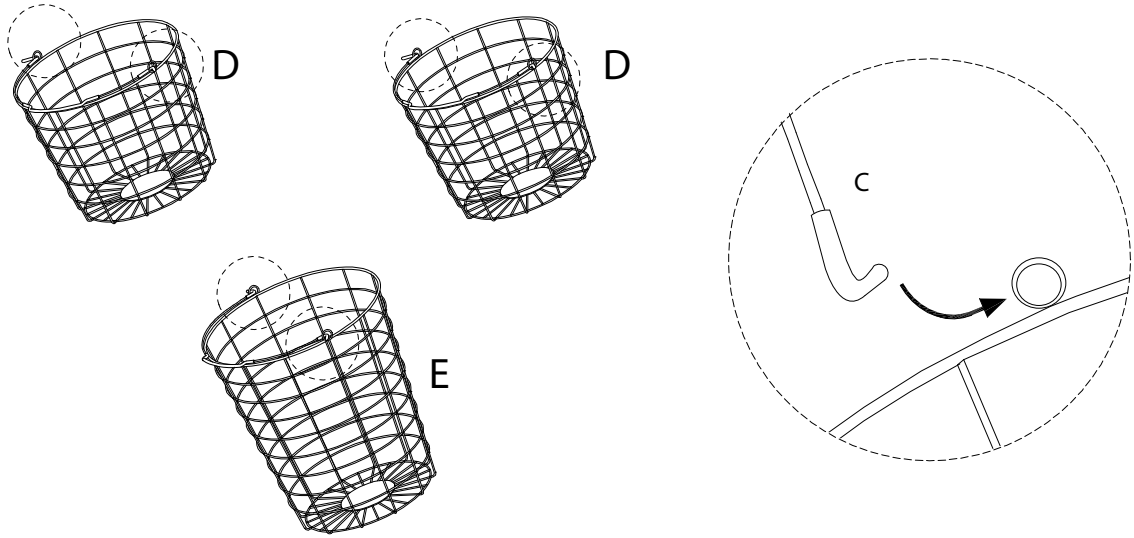
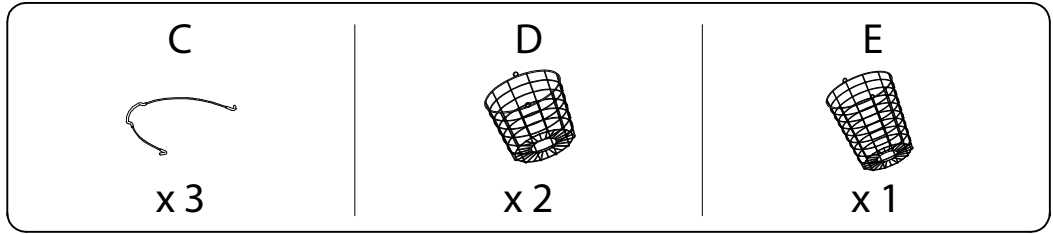
1



2



3



4

