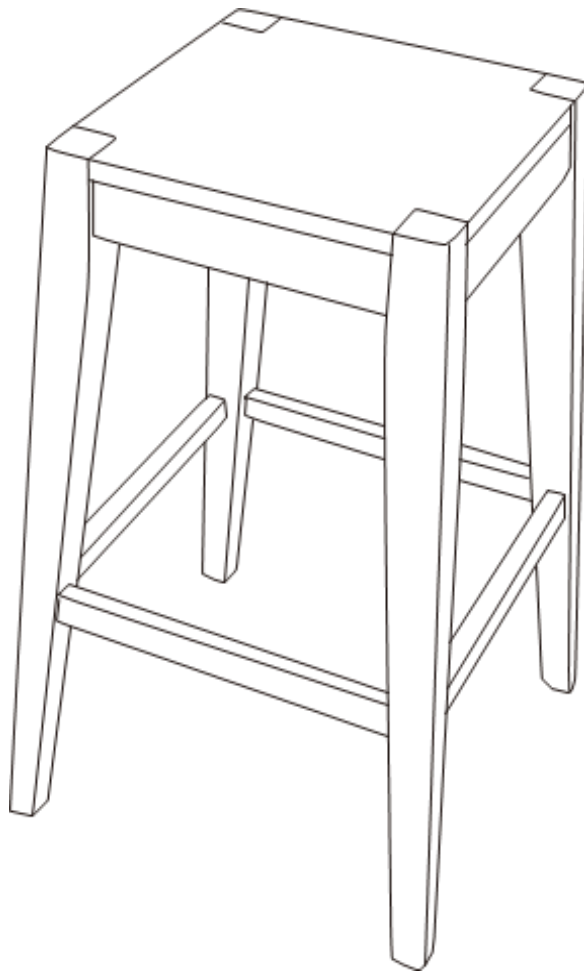


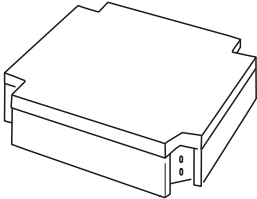


Assembly Instructions

Caution: You must read this before you proceed







Stool



Part List

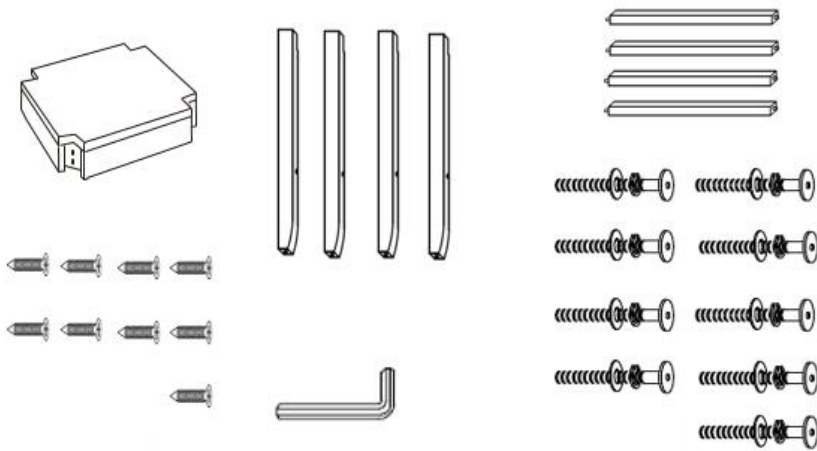
Label	Picture	Description	QTY
A		Stool Seat	1
B		Stool Leg	4
C		Support	4

Hardware

Label	Picture	Description	QTY
①		Bolt (M6x60mm)	9
②		Screw (M4x38mm)	9
③		Spring Washer	9
④		Washer	9
⑤		Allen Key	1
⑥		Screwdriver (Not provided)	1

Assembly Preparation

Before Beginning Assembly:



- Read instructions, cover to cover-



- Have 2 adults on hand for assembly-



- Do not assemble on flooring or carpet-



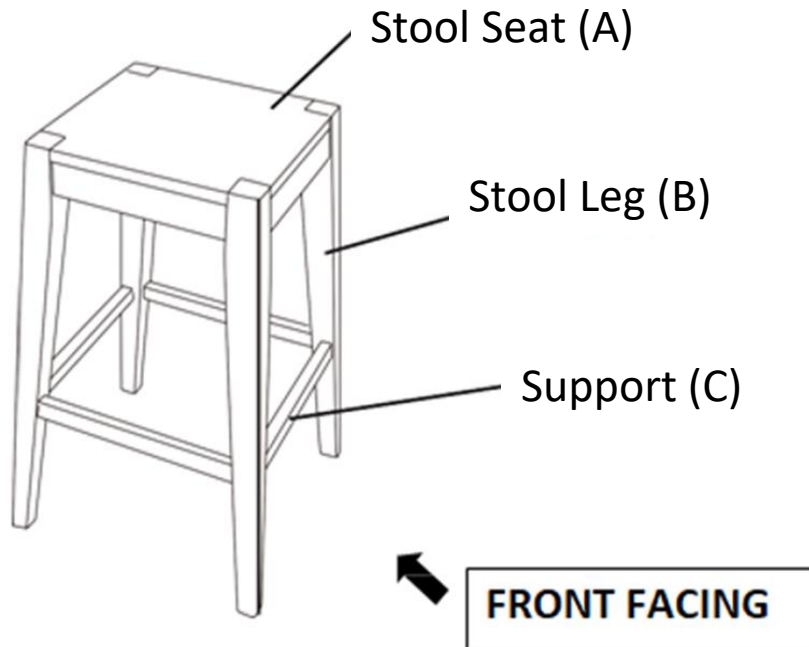
- Assemble on a clean non-marring surface (packing foam)-



- Save all packaging until finished-

Assembly Steps

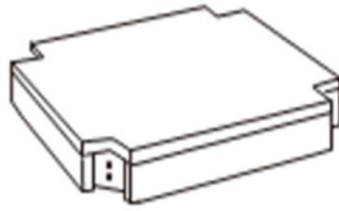
Overview



This Stool has multiple parts and may require up to 30 minutes to assemble. To give you an overview of the Stool parts, the above picture is to help you put the various parts into perspective. Please read through the instructions below to familiarise yourself with the parts and steps before assembly.

Step 1

Stool Seat (A)



Stool Leg (B)



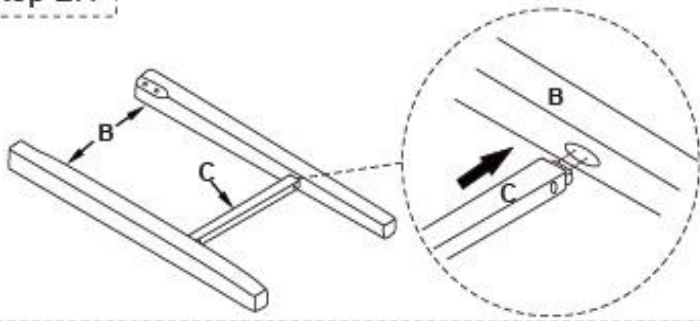
C. Support (C)



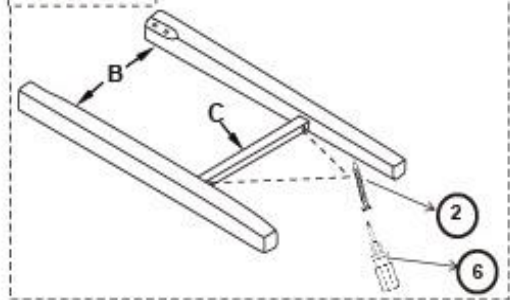
Place the Stool Seat(A), Stool Legs(B) and Supports(C) onto a clean, non-marring surface.

Step 2

Step 2.1



Step 2.2

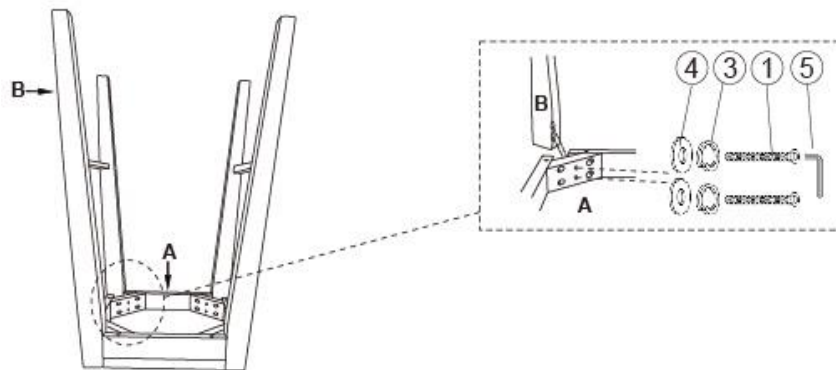


2.1) Insert the Supports(C) into the oval housing of Stool Legs(B) as shown above.

2.2) Attach Supports(C) to Stool Legs(B) using Screws(②) with Screwdriver(⑥).

Do not fully tighten the Screws.

Step 3



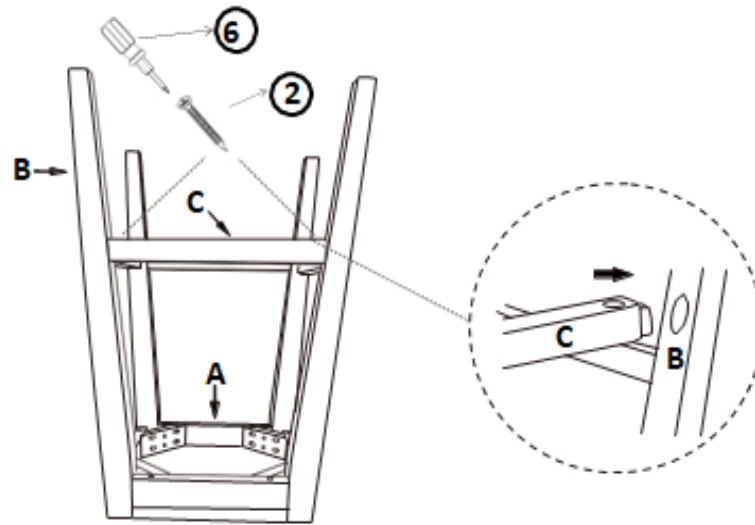
Place the Stool Seat(A) facedown on a clean, non-marring surface.

Insert Stool Legs(B) into Stool Seat(A).

Attach Stool Legs(B) to Stool Seat(A) using Bolts(①), Spring Washers(③), and Washers(④) with Allen Key(⑤).

Do not fully tighten the Bolts.

Step 4

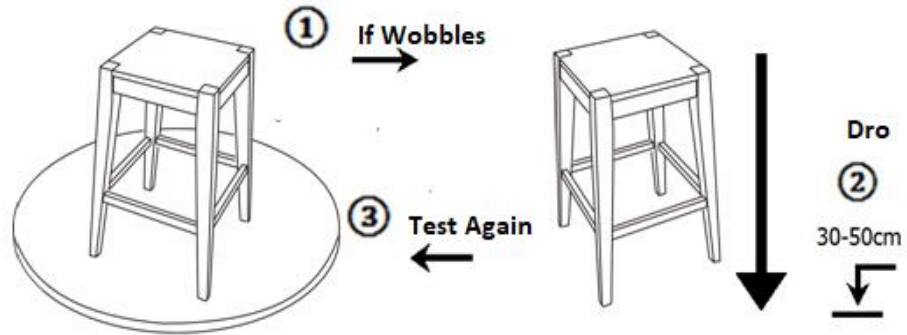


Place Supports(C) into housing between the Stool Legs(B) and attach using Screws(②) with Screwdriver(⑥).

Note: You may need to apply a little pressure to the Stool Leg, pulling outwards, to enable the Support to be slotted into position.

Do not fully tighten the Screws.

Step 5



Place the Stool on a Level Surface to check if it wobbles.

If it wobbles, lift the Stool some 30cm to 50cm high from the ground, keep your feet and toes well away from the drop zone, and drop the Stool freely and vertically with the four legs, hitting the ground at the same time.

This Drop Test will help to ensure that all parts and gaps reach full alignment.

Test again for evenness on a Level Surface.

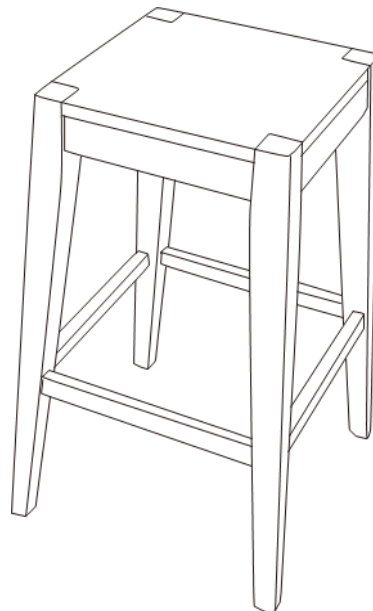
If no wobbles are found, proceed to tighten all the Bolts and Screws.

When tightening the Bolts and Screws, tighten sequentially.

Do not tighten any Bolt or Screw fully and then move on towards the next one, this could cause the frame to warp.

If it still wobbles, loosen the Bolts and execute this same drop test.




















Step 6



Your Stool is ready for use.

This Stool can only be used on a flat, level surface.

Care & Maintenance

-   ● Do not put hot items directly on furniture surface
 -   ● Do not clean furniture with harsh cleansers or polish.
 -   ● Do not place furniture under direct sunlight.
 -   ● Do not place furniture near heating or cooling vents.
 -   ● Do not write on furniture without a padded barrier to protect the surface.
 -   ● Do not place furniture outside . For indoor use only .
 -   ● Not for commercial use. For residential use only .
 -   ● Stains may be removed with mild soap solution and damp cloth.
 -   ● Children should not climb or jump on the furniture.
-
-   ● Dust and pick-up spills using a clean, non-colored, lint-free cloth .