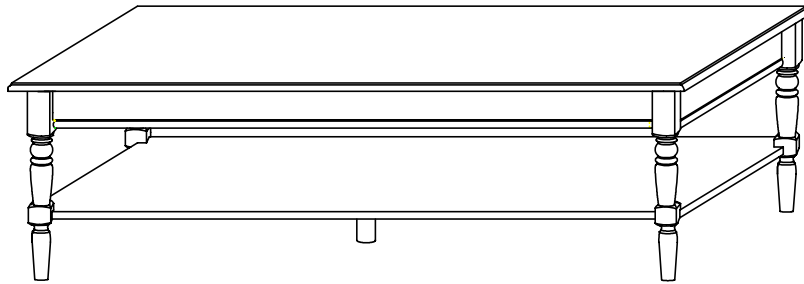

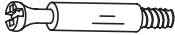






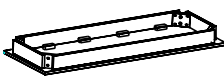

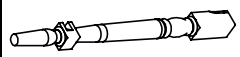
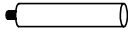
Coffee Table

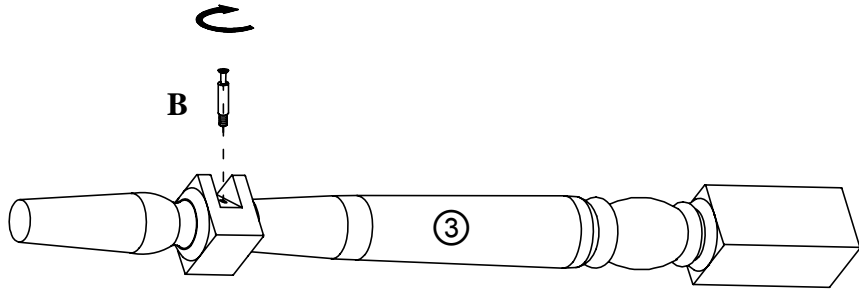


HARDWARE LIST

CODE	NAME	FIGURE	Q'TY
A	CAM LOCKS		4PCS
B	CAM BOLTS		4PCS
C	RAIL SCREW ($\Phi 1/4'' \times 51\text{mm}$)		8PCS
D	SPRING WASHER ($\Phi 1/4''$)		8PCS
E	FLAT WASHER ($\Phi 1/4'' \times 16\text{mm}$)		8PCS
F	ALLEN WRENCH		1PC

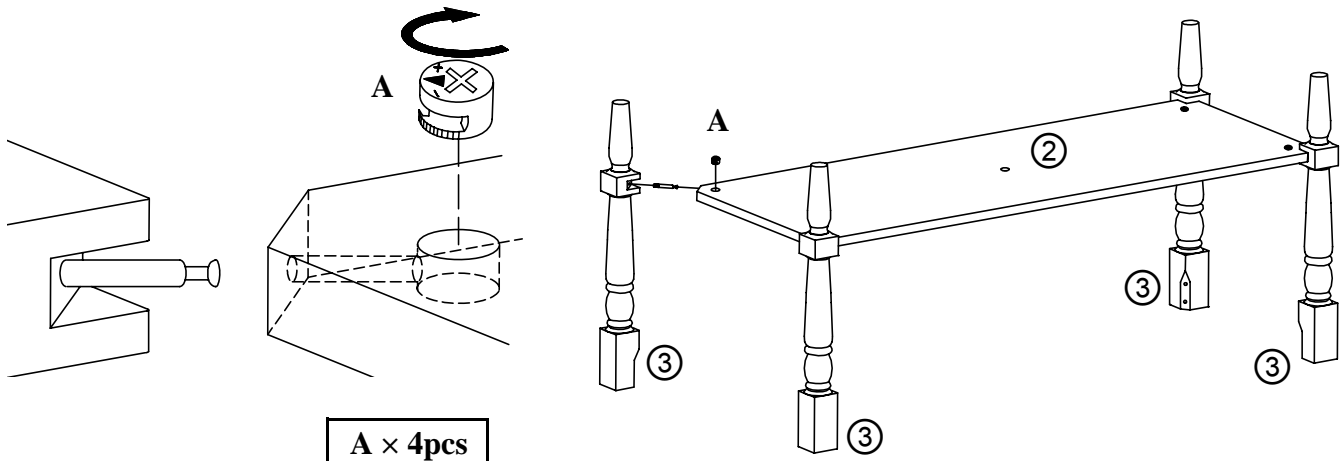
PARTS LIST

CODE	NAME	FIGURE	Q'TY
①	TOP PANEL		1PC
②	BOTTOM PANEL		1PC
③	LEG		4PCS
④	BOTTOM LEG		1PC



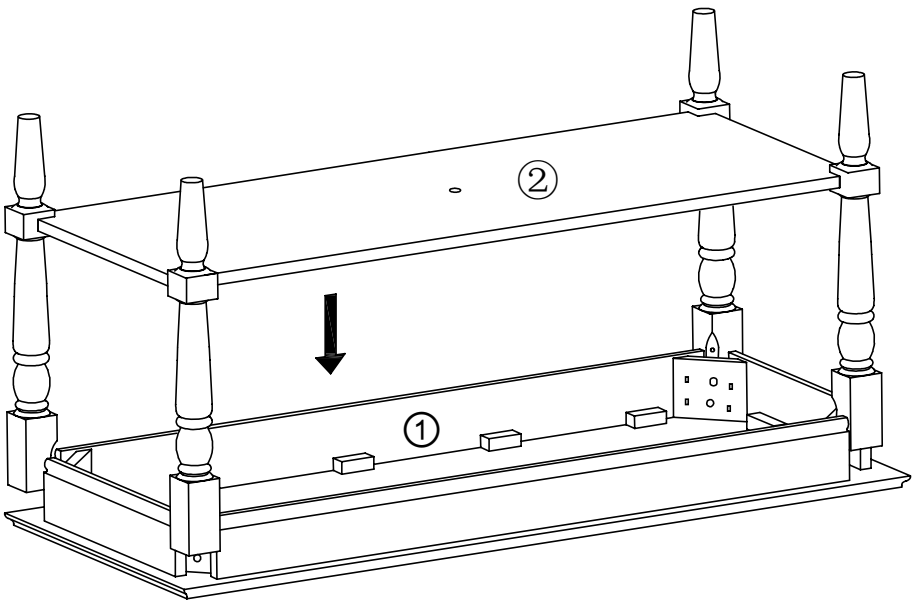
B × 4pcs

SEP 1

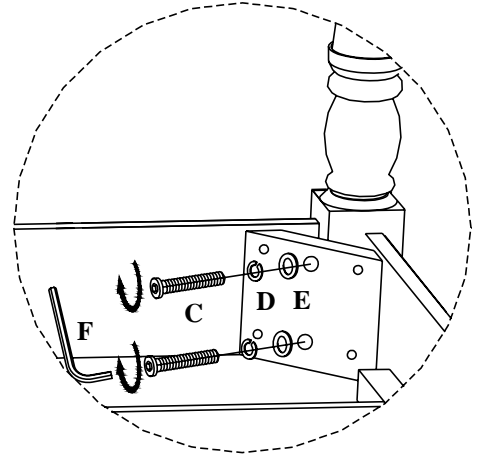
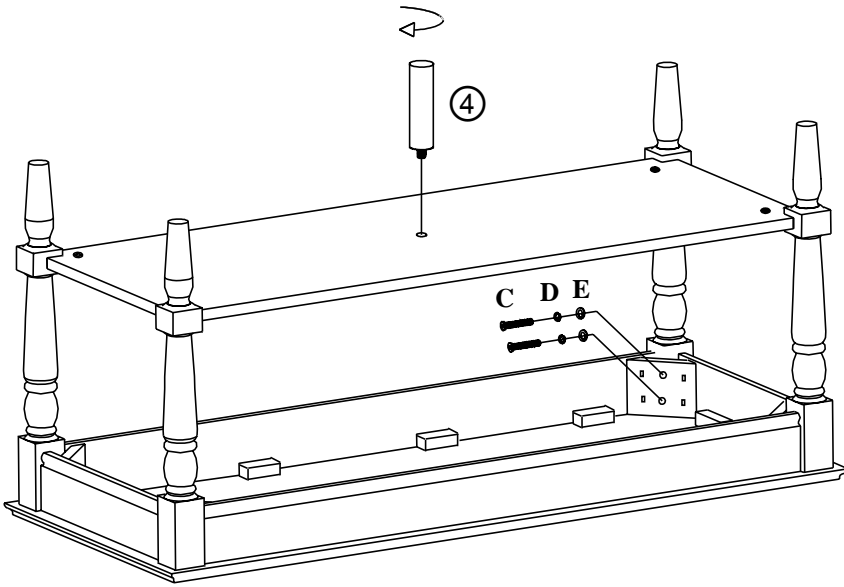


A × 4pcs

STEP 2

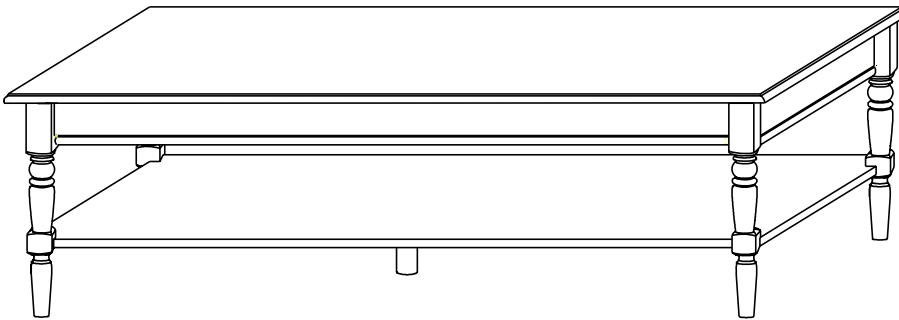


STEP 3



C × 8pcs
D × 8pcs
E × 8pcs
F × 1pc

STEP 4



STEP 5