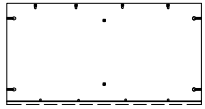



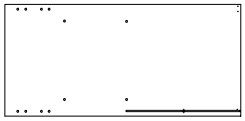
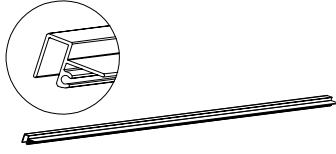
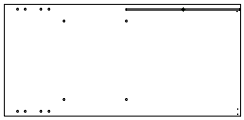
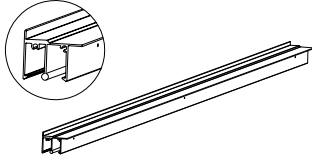
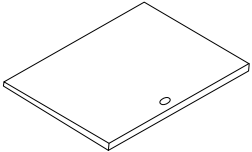
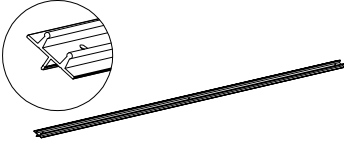
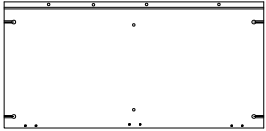
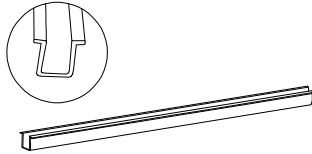
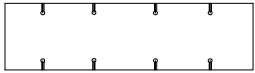
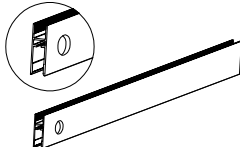

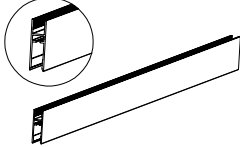
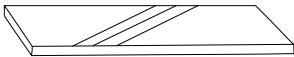

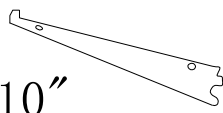

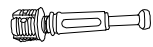
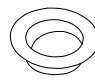

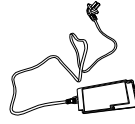

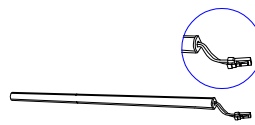
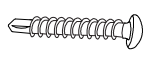
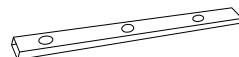



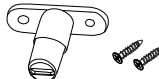


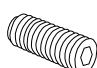





# FSH5-WD ASSEMBLY INSTRUCTION

S/N	PIC	QTY	S/N	PIC	QTY
1# Board	 1488×457MM	1	10# GLASS	 1428×254MM	1
2# Board	 1488×235MM	2	11# GLASS	 1487×430MM	1
3# Board	 965×457MM	1	12# AL	 AL	1
4# Board	 965×457MM	1	13# AL	 AL	1
5# wooddoors	 667×748MM	2	14# AL	 AL	1
6# Board	 1488×427MM	1	15# Rubber strip	 Rubber strip	1
7# Board	 1488×235MM	1	16# AL	 AL	1
8# Board	 407×235MM	1	17# AL	 AL	1
9# GLASS	 1498×458MM	1	18#	 L:445MM	3

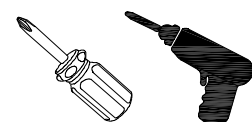
# parts list

19#	 10"	3	J		1
A		36	K Door handle		2
B		36	L		1
C	 $\varnothing 8 \times 40\text{MM}$	8	M Lamp		1
D	 M4 $\times$ 38MM	6	N Threading pipe		1
E	 M4 $\times$ 19MM	3	O		1
F	 M4 $\times$ 13MM	8	P		1
G Felt strip		2	Q	M4 $\times$ 4MM 	6
H	 M6 $\times$ 12MM	2	R Allen Key		1
I		8	S		4

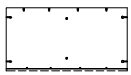
## NOTE:

Please make sure that all parts above are fixed tightly before use.  
This product is for indoor use only.  
It is recommended that two persons assemble this unit.  
Extra screws for spare using.

## TOOLS REQUIRED

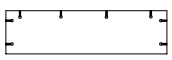


1488×457MM



1# 1pc

1488×235MM



2# 2pcs

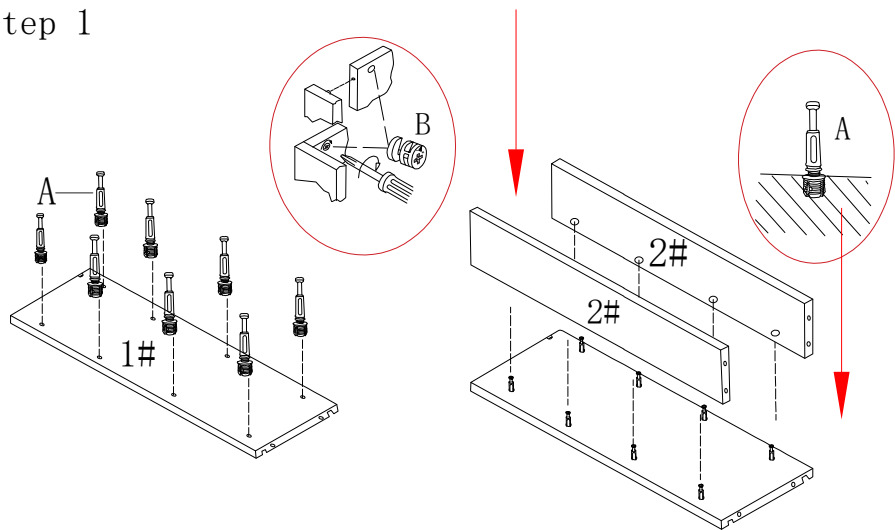


A 8pcs

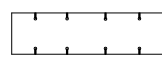


B 8pcs

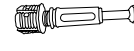
Step 1



1488×235MM



7# 1pc

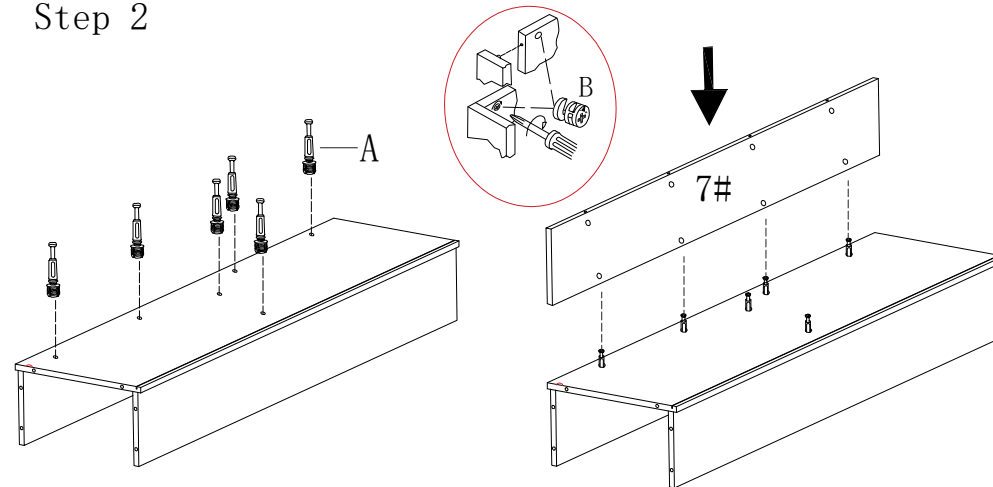


A 6pcs



B 4pcs

Step 2



407×235MM

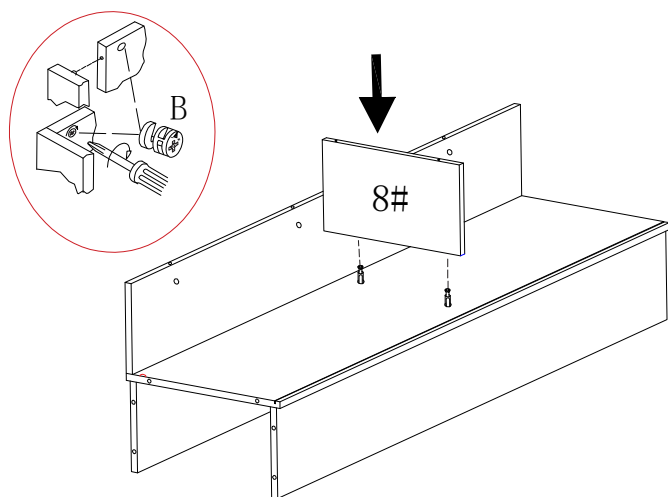


8# 1pc

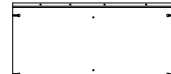


B 2pcs

Step 3



1488×427MM



6# 1pc

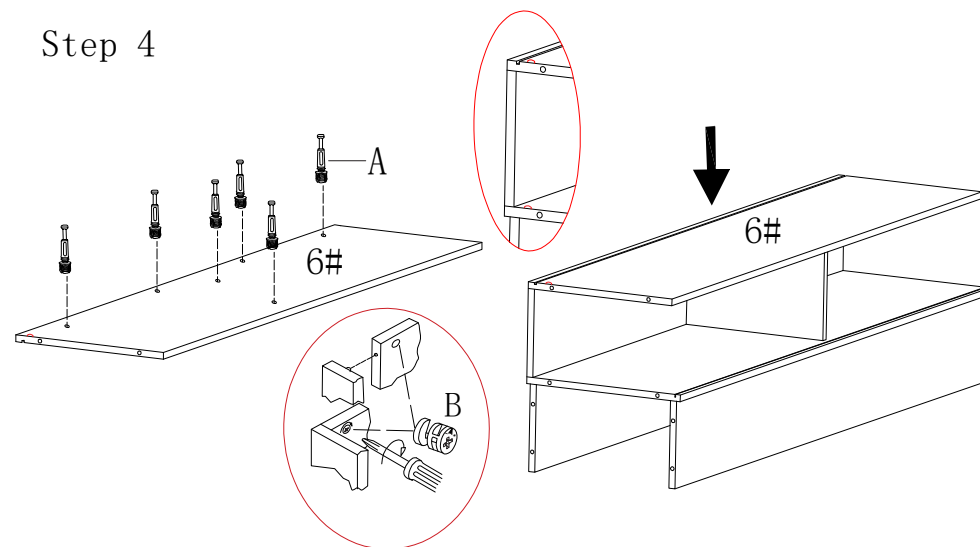


A 6pcs



B 6pcs

Step 4

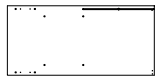


965×457MM

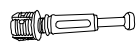


3# 1pc

965×457MM

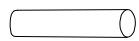


4# 1pc



A 16pcs

∅8×40MM

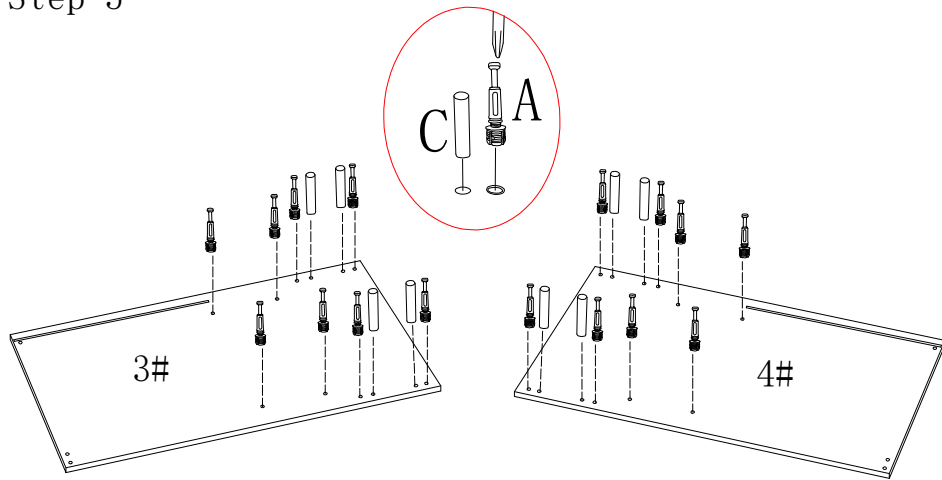


C 8pcs

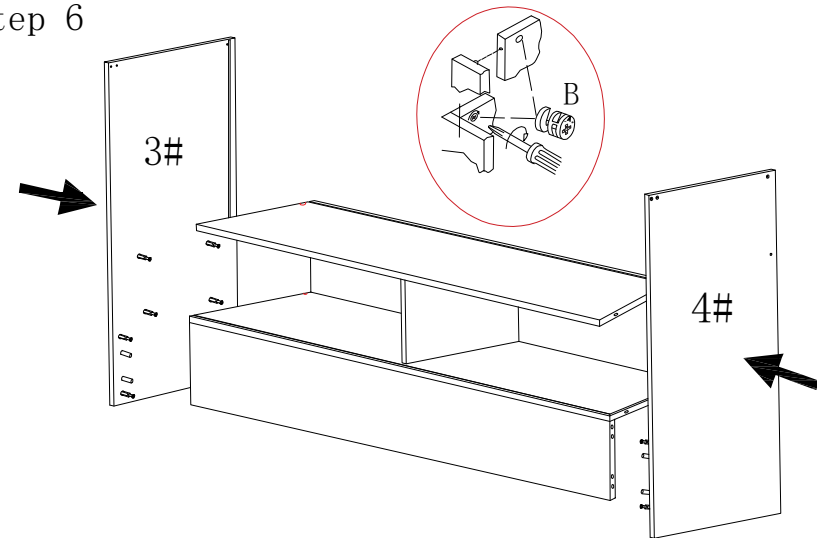


B 16pcs

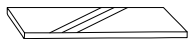
Step 5



Step 6



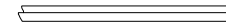
1498×458MM



9# 1pc



12# 1pc



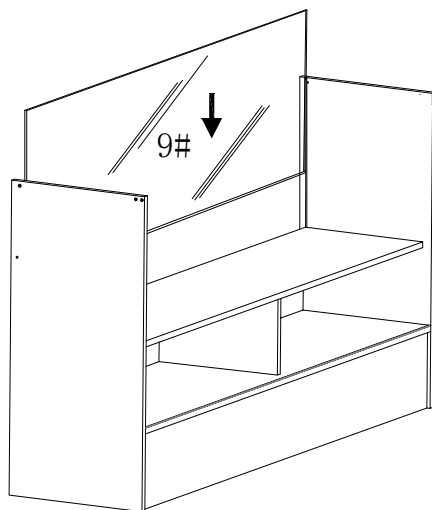
15# 1pc

M4X38mm

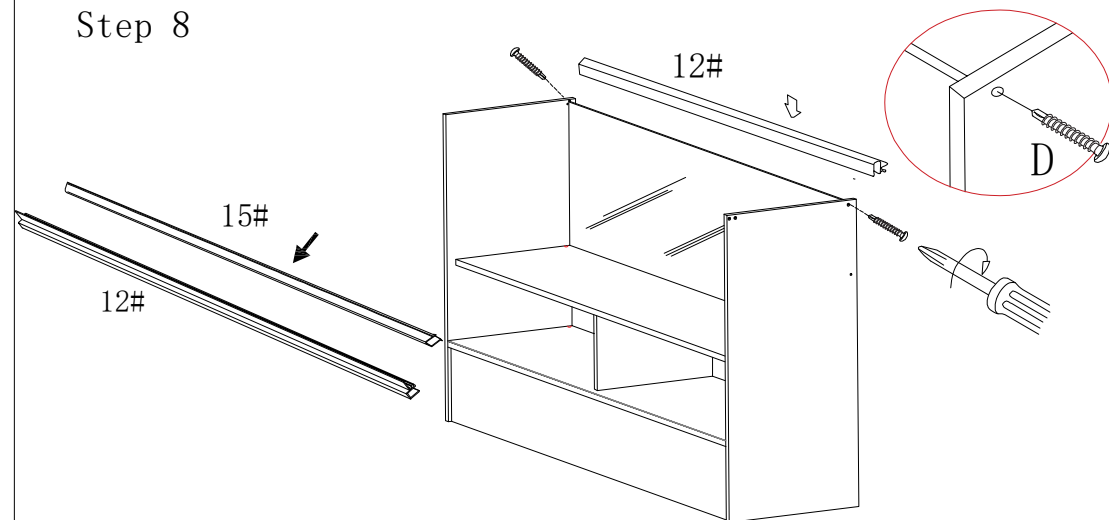


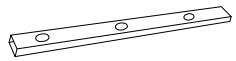
D 2pcs

Step 7



Step 8

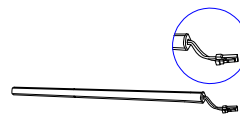




N 1pc

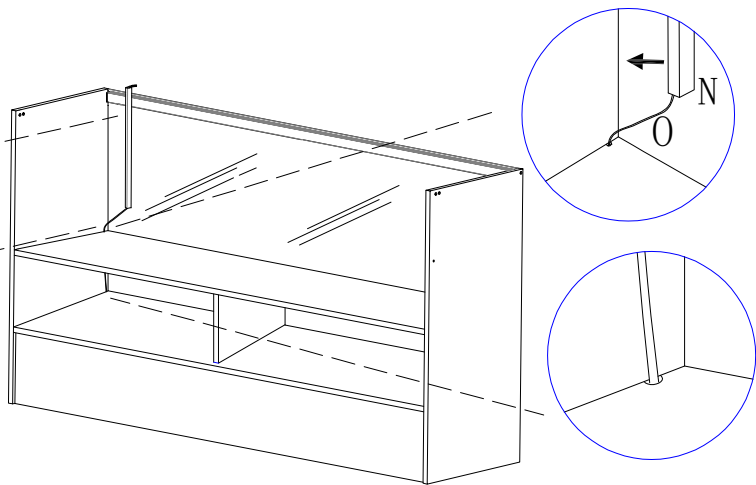
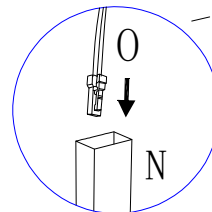
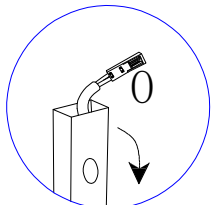


O 1pc

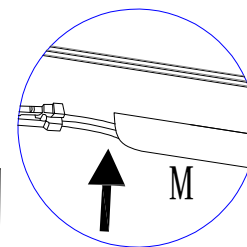
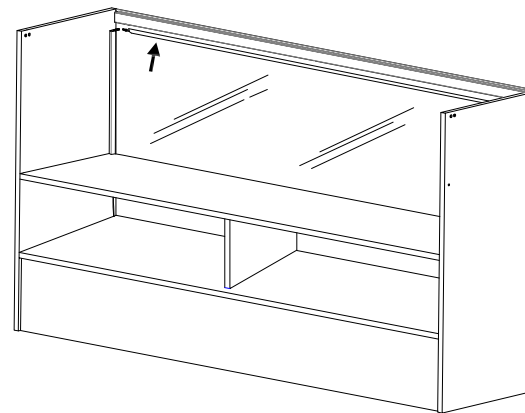
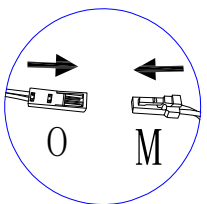
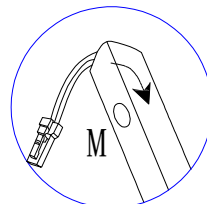


M 1pc

Step 9



Step 10



L 1pc



13# 1pc



14# 1pc

M4X38mm



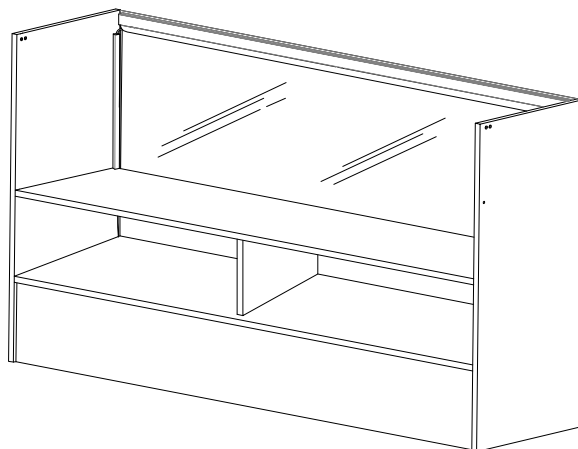
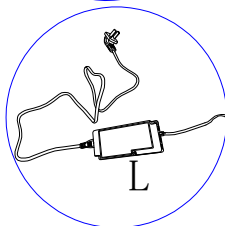
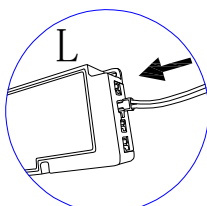
D 4pcs

M4X13mm

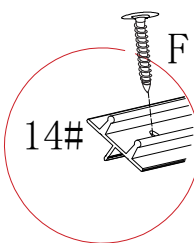


F 2pcs

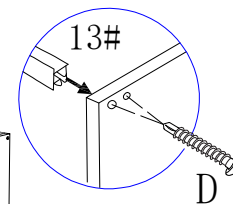
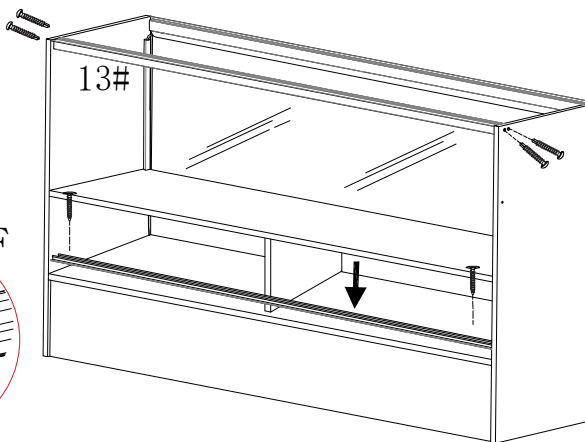
Step 11



Step 12



14#



13#

D

18# 3pcs

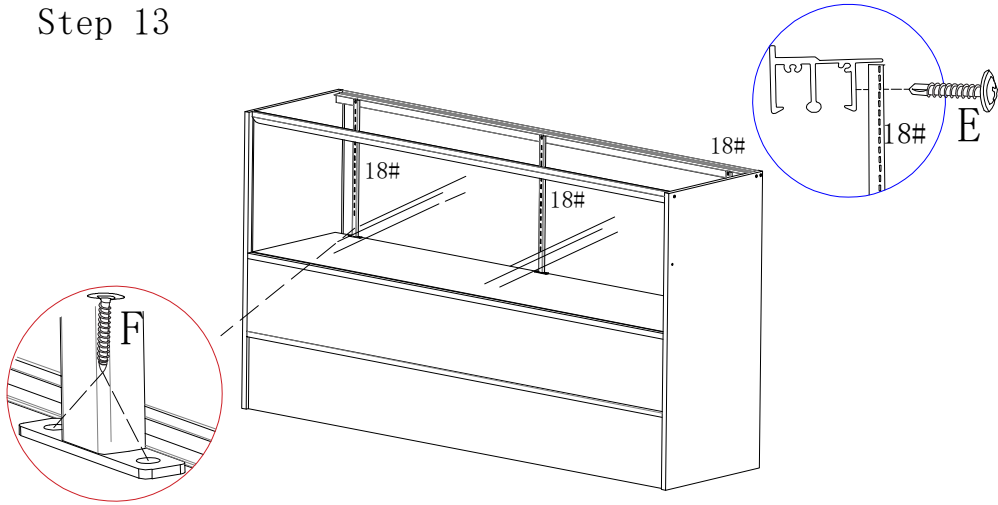
M4X19mm  
E 3pcs

M4X13mm  
F 6pcs

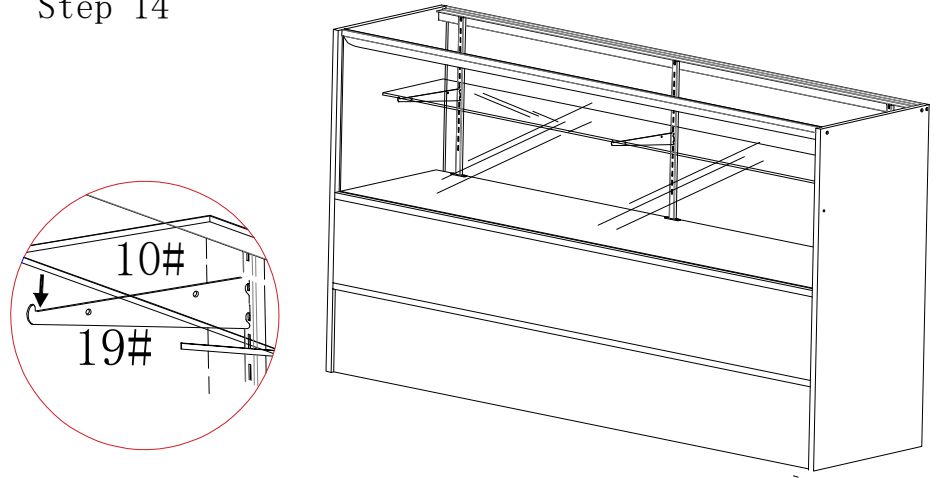
1428×254MM  
10# 1pc

10"  
19# 3pcs

### Step 13



### Step 14

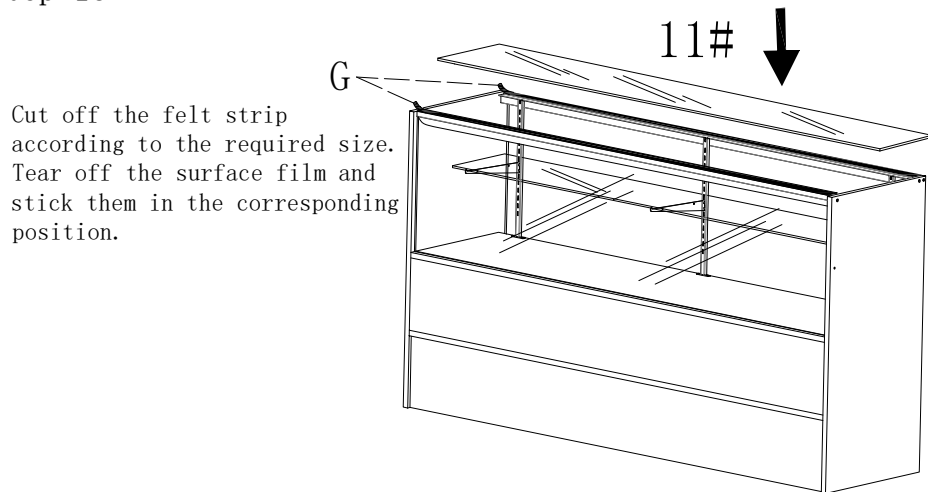


1487×430MM  
11# 1pc

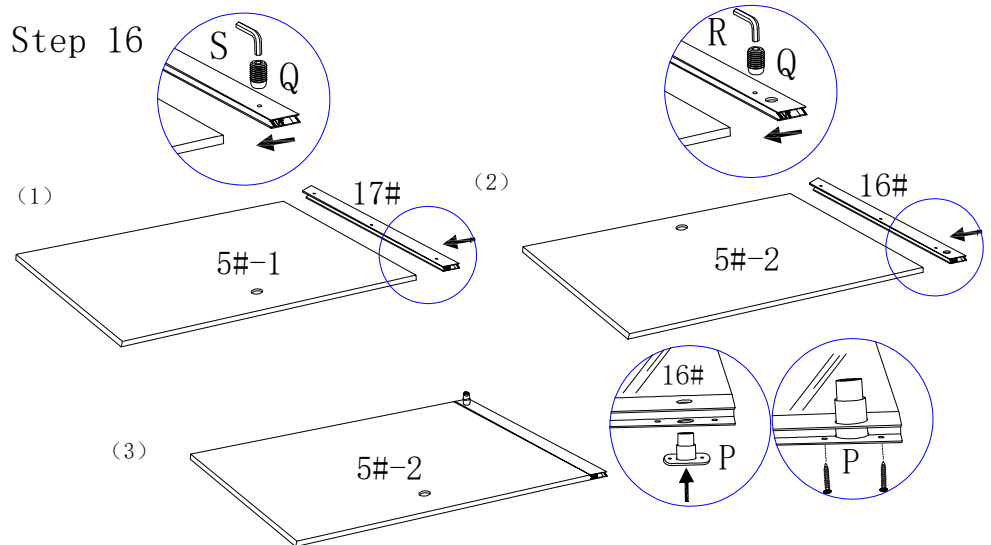
G 1pc

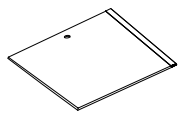
5# 2pcs P 1pc M4×4MM Q 6pcs R 1pc 16# 1pc 17# 1pc

### Step 15

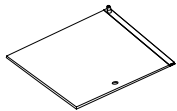


### Step 16





5#-1 1pc



5#-2 1pc



J 1pc

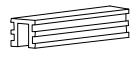
M6 × 12MM



H 2pcs

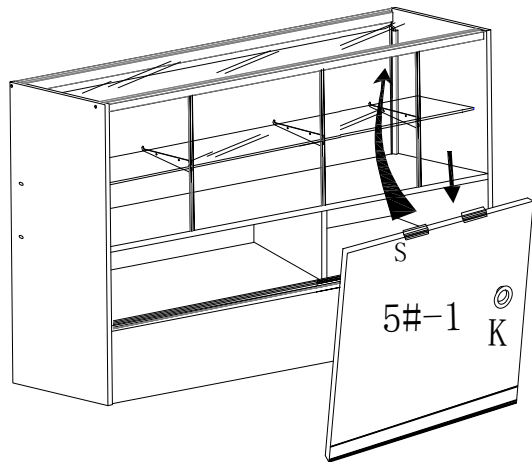


K 2pcs

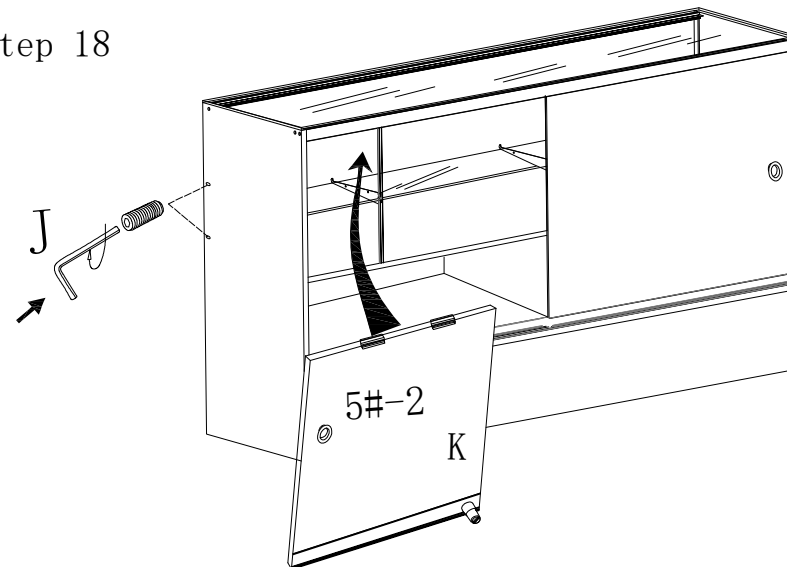


S 4pcs

Step 17

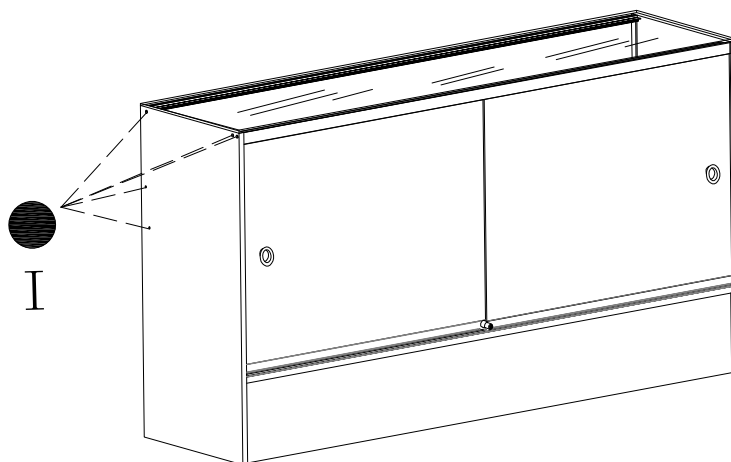


Step 18



I 8pcs

Step 19



FSH5-WD SHOWCASE  
ASSEMBLY INSTRUCTION