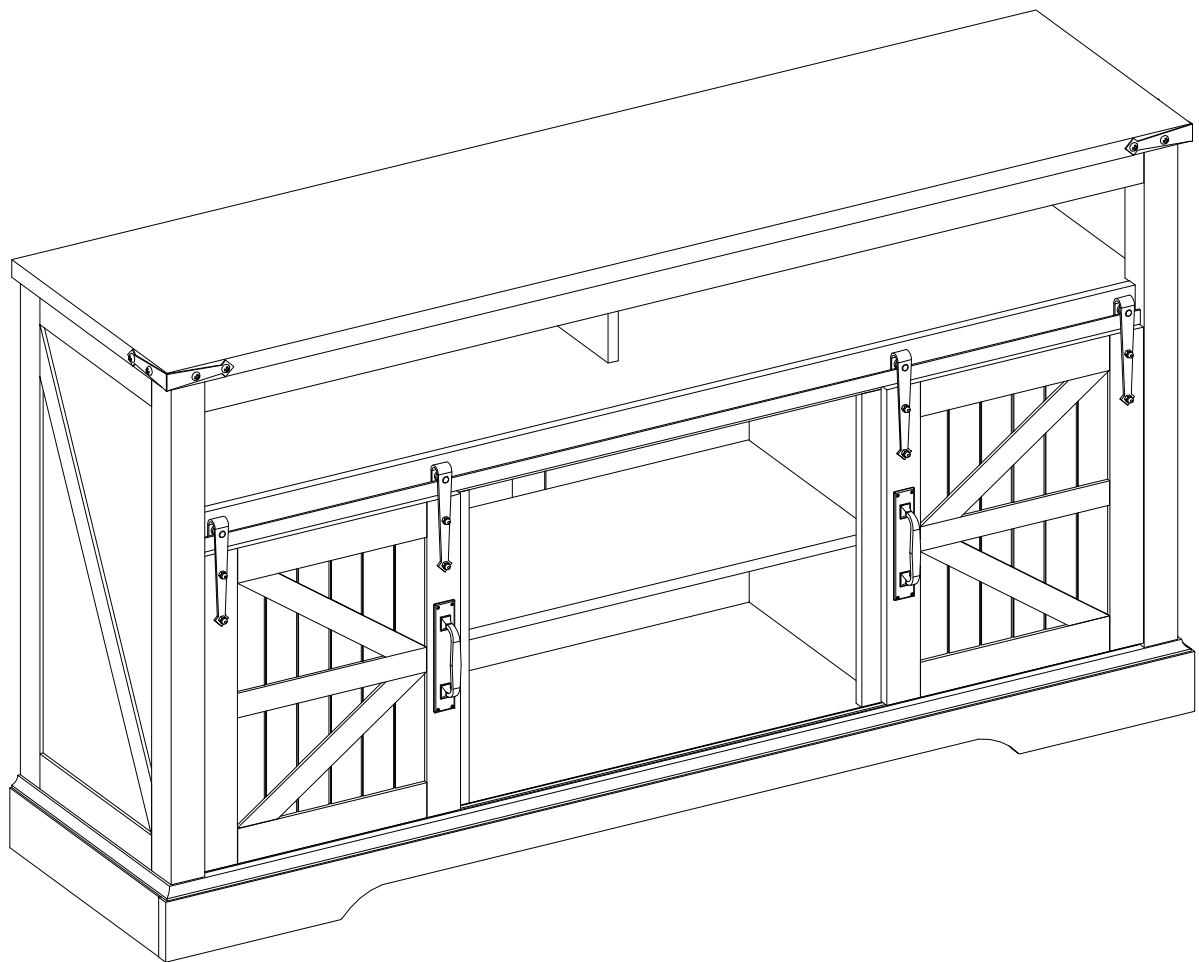
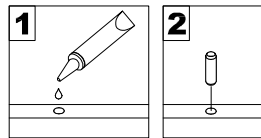


Assembly Instructions

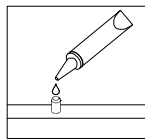


General Assembly Guidelines

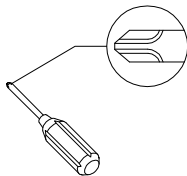
- I. Ensure that all parts and hardware are available before beginning assembly.
- II. Follow each step carefully to ensure the proper assembly of this product.
- III. Two people are recommended for ease in the assembly of this product.
- IV. The three main types of hardware used to assemble this product are : wood dowels , screws and bolts.
- V. The provided glue is to secure wood dowels in place . When first inserting dowels , locate the appropriate hole for the dowel , place a small amount of glue in the hole and insert the dowel . Wipe away excess glue immediately.



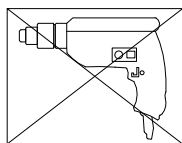
In future assembly steps when dowels are necessary to attach assembly parts together , place a small amount of glue on the end of the dowel before attaching parts together . Wipe away excess glue immediately.



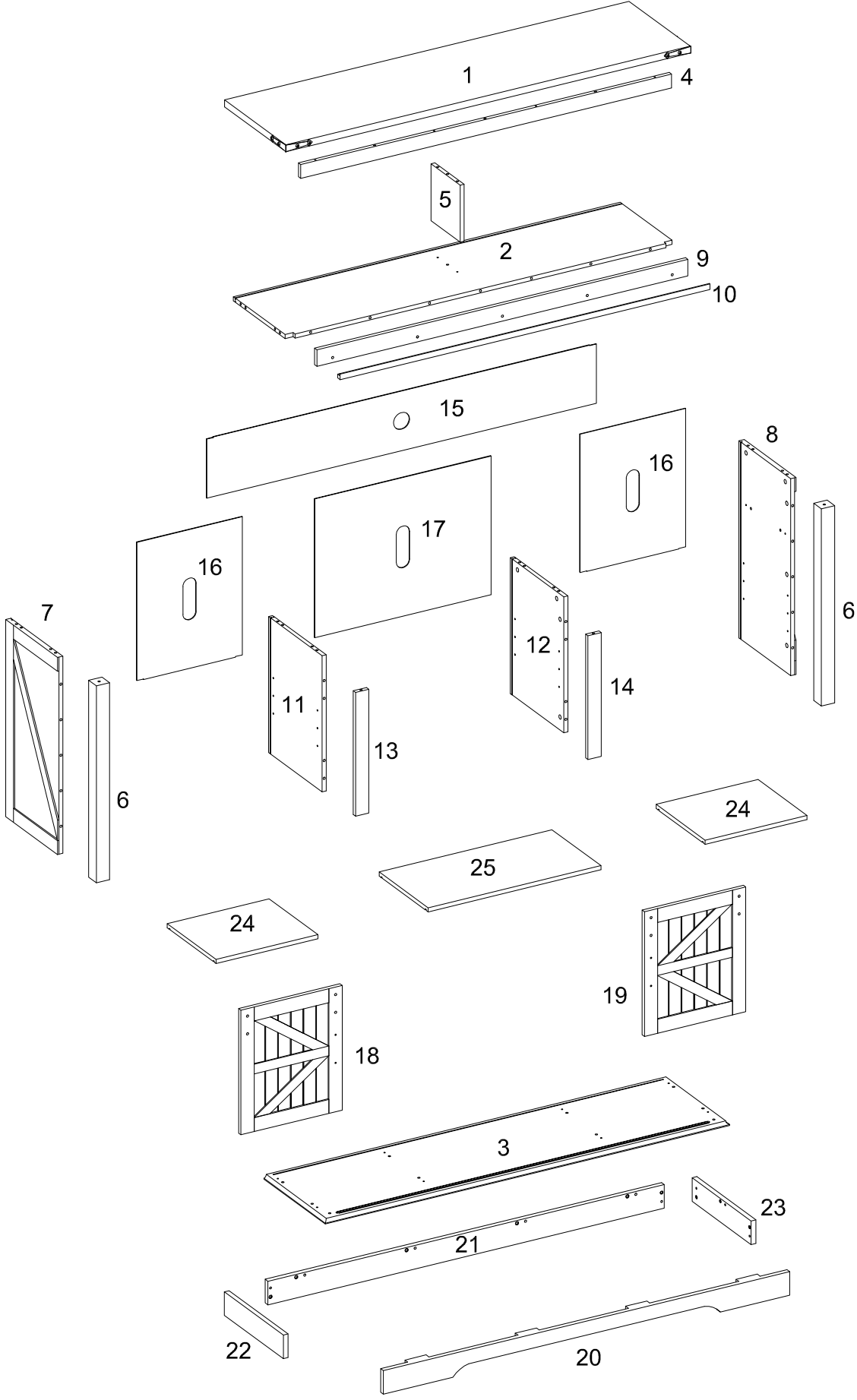
- VI. A Phillips head screwdriver is required for the assembly of this product .




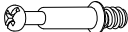


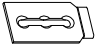

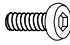
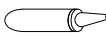
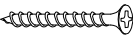
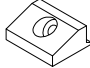
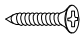




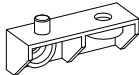
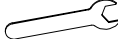

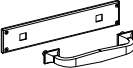
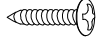
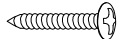


- VII. Power tools should not be used to assemble this product .

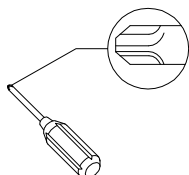


Parts List



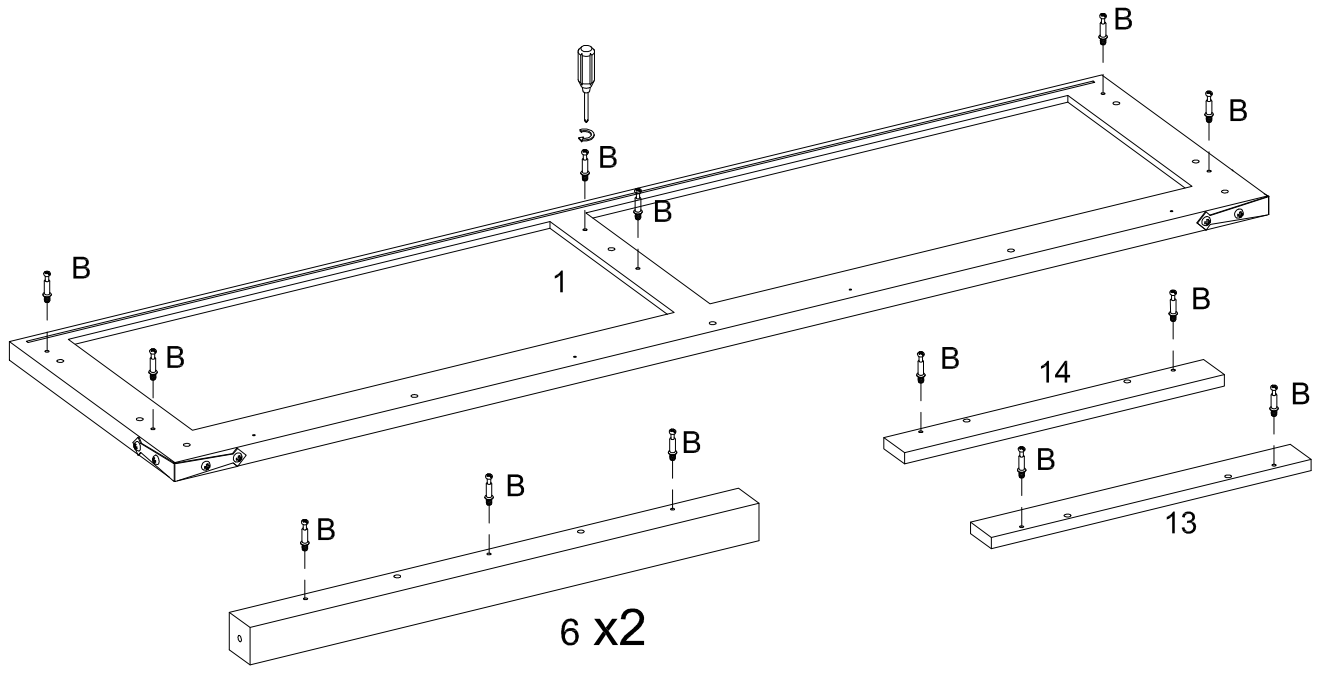
Hardware List

A		Ø8x30mm	Wood dowel	42 pcs
B		Ø6x35mm	Cam bolt	28 pcs
C		Ø15x11mm	Cam lock	28 pcs
D			Sticker	28 pcs
E			Plate	4 pcs
F		Ø8x5x16mm	Shelf support pin	12 pcs
G		Ø6x13mm	Bolt	28 pcs
H			Glue	1 pcs
I		Ø4x50mm	Screw	14 pcs
J			Plastic wedge	16 pcs
K		Ø3x17mm	Flat-head screw	16 pcs
L		M 4	Hex key	1 pcs
M			Pulley	4 pcs
N			Nut	8 pcs
O		Ø6x25mm	Bolt	13 pcs
P			Connector	14 pcs
Q			Wrench	1 pcs
R		Ø4x12mm	Handle bolt	4 pcs
S			Handle	2 pcs
T		Ø4x12mm	Screw	14 pcs
U		Ø4x25mm	Screw	2 pcs
V			Plastic strap	2 pcs
W			Nut	2 pcs

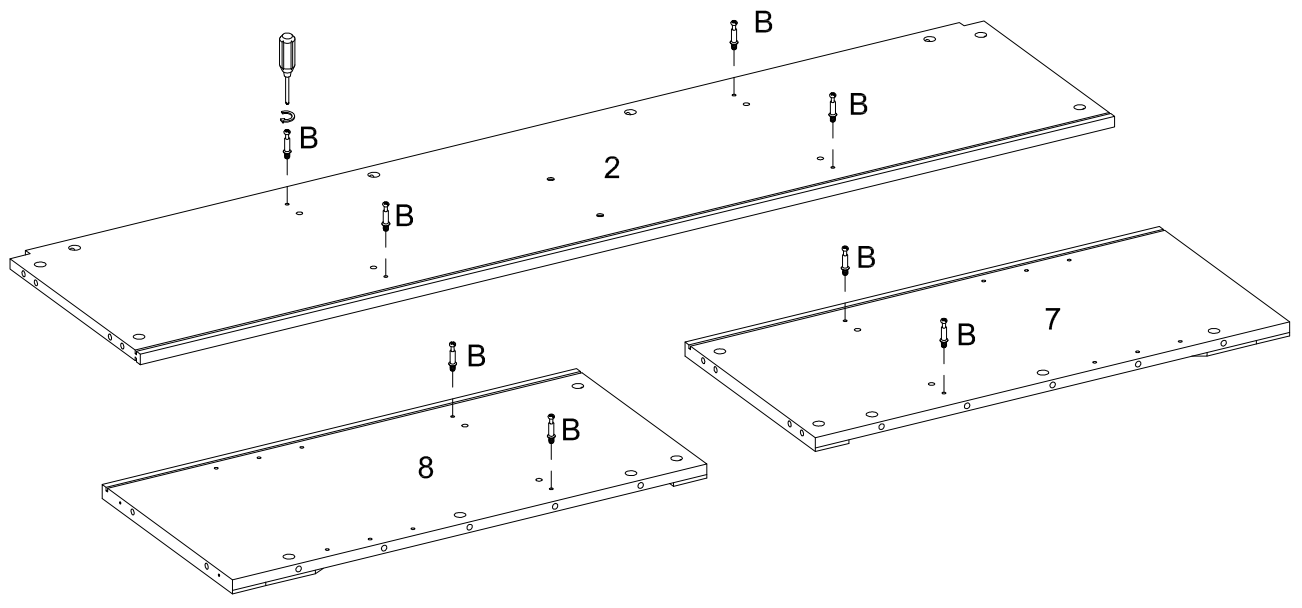


Philips head screwdriver required for assembly
(not included)

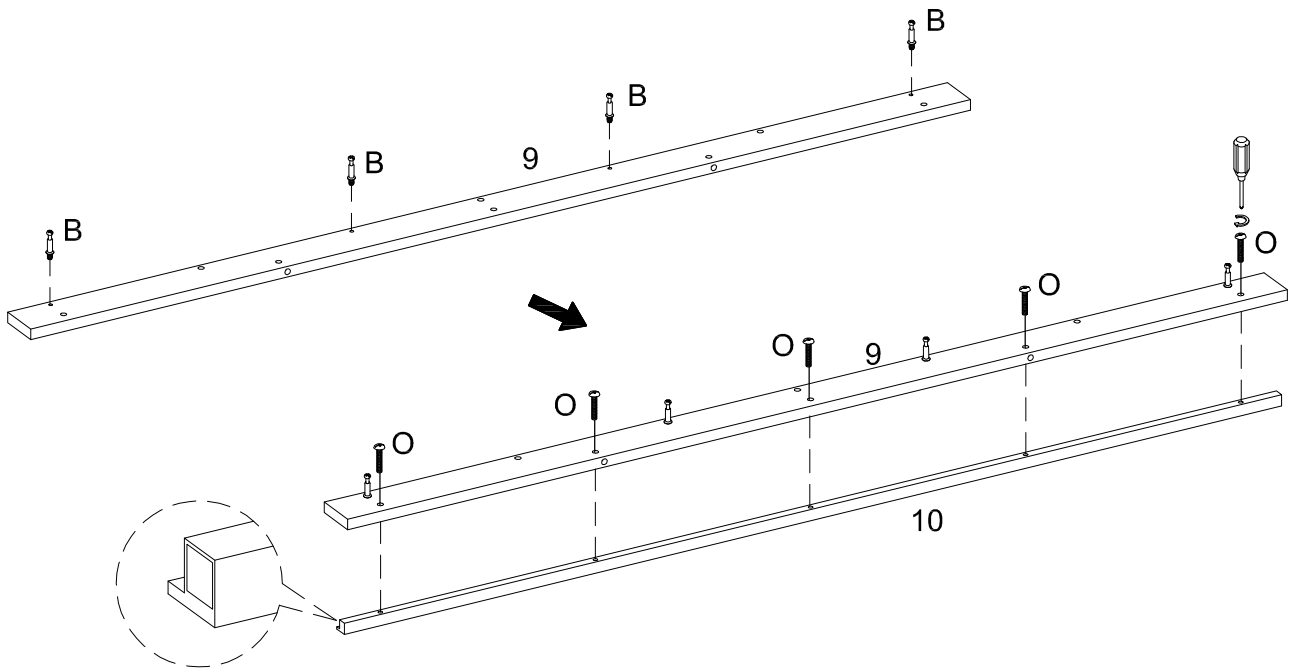
Step 1



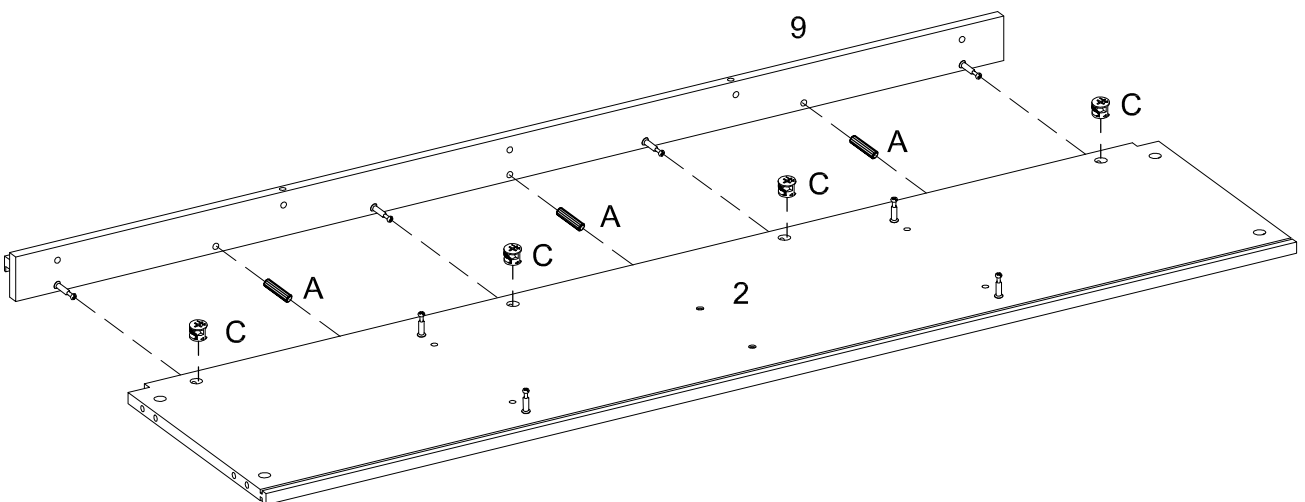
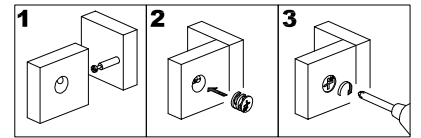
Step 2



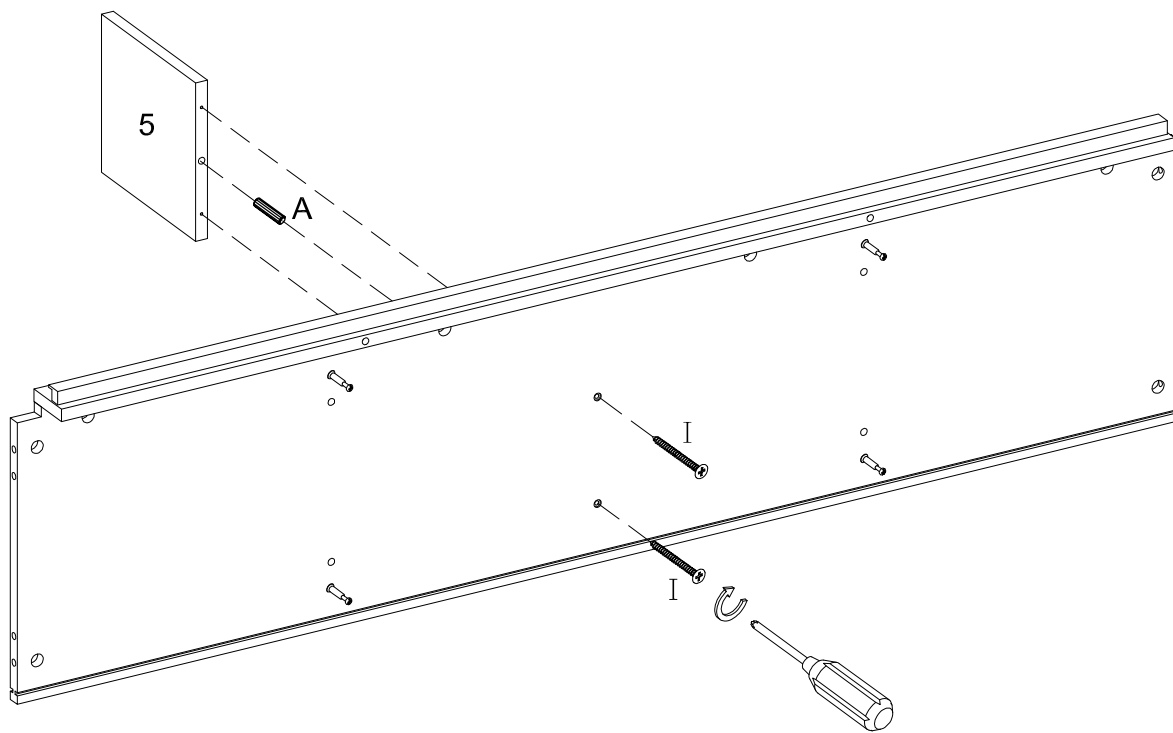
Step 3



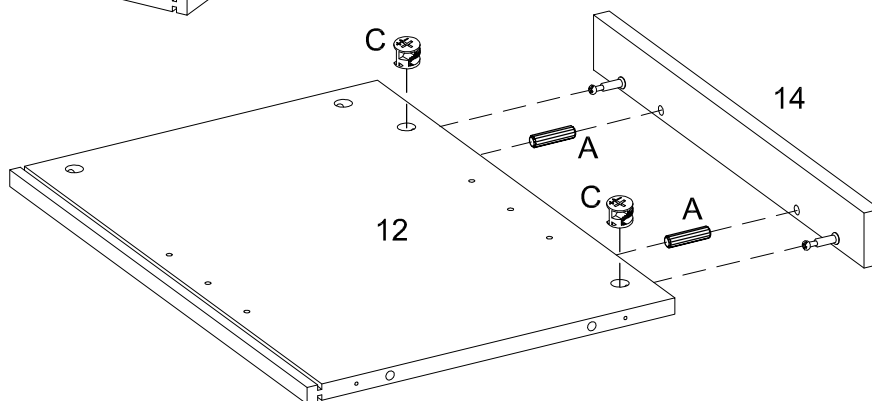
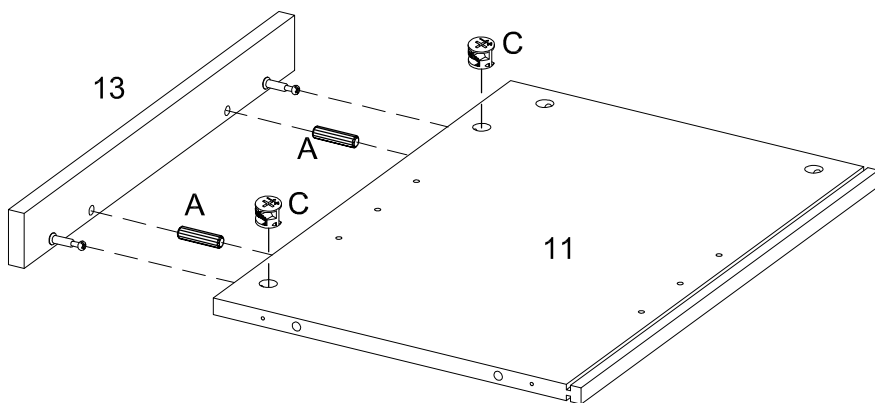
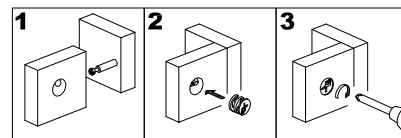
Step 4



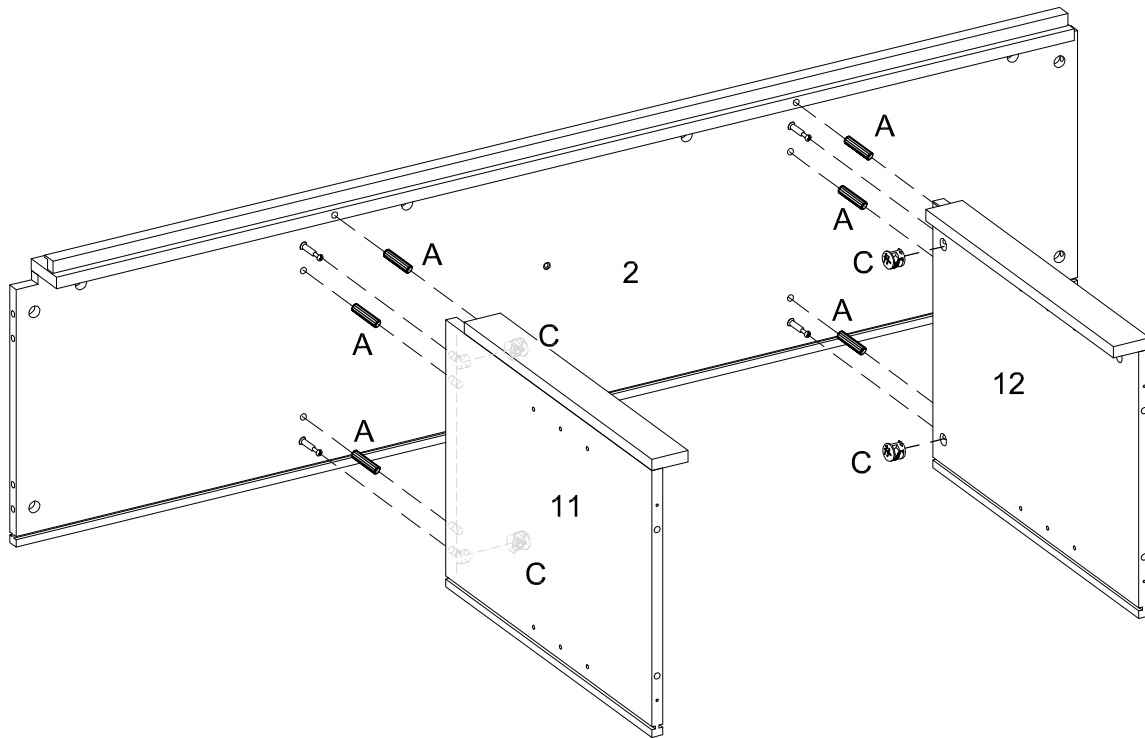
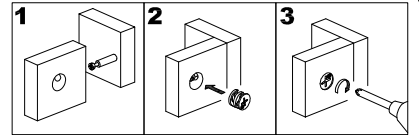
Step 5



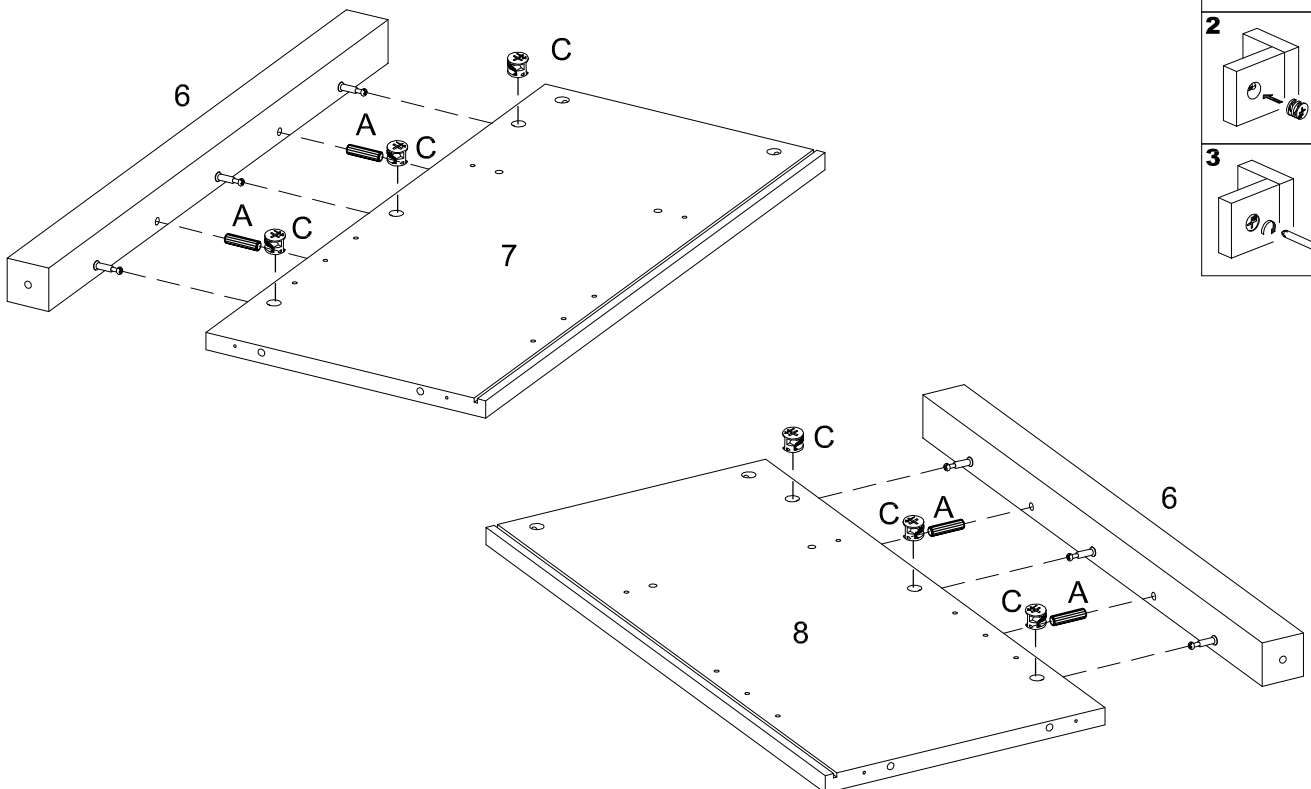
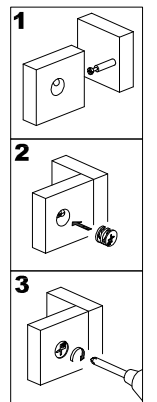
Step 6



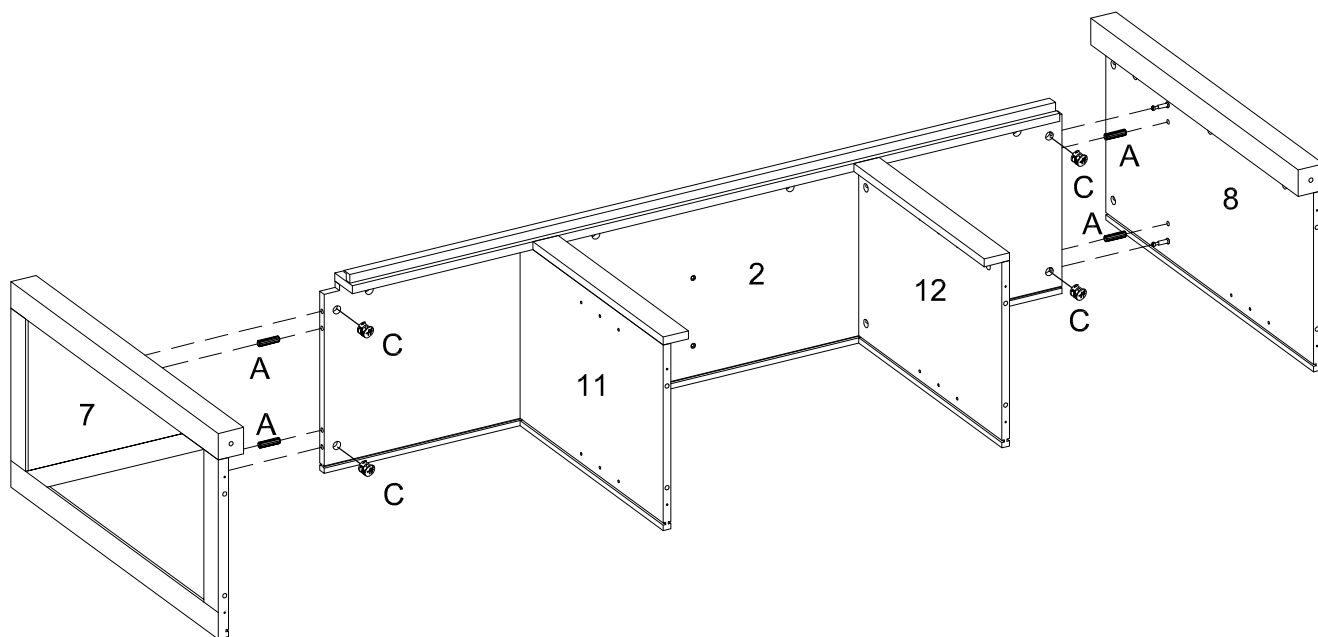
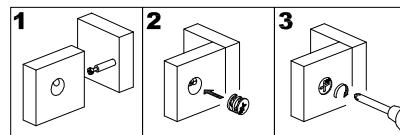
Step 7



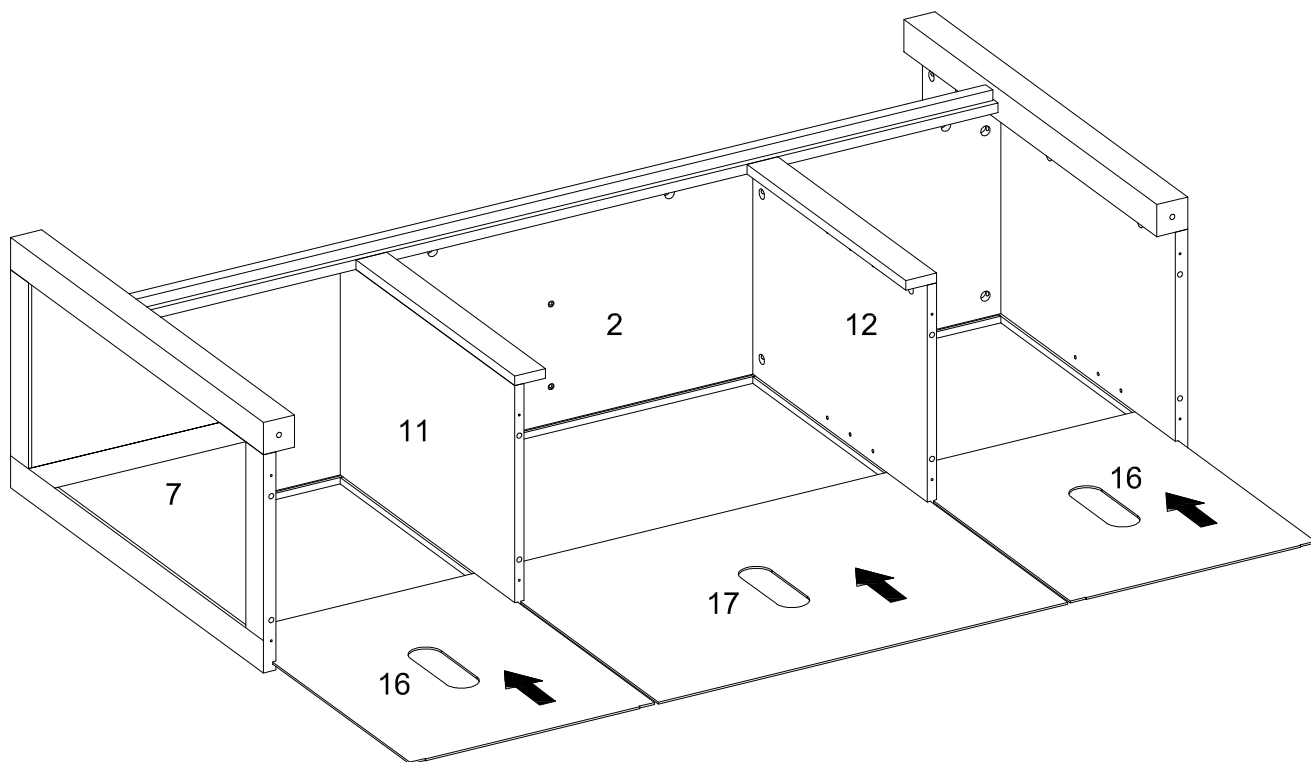
Step 8



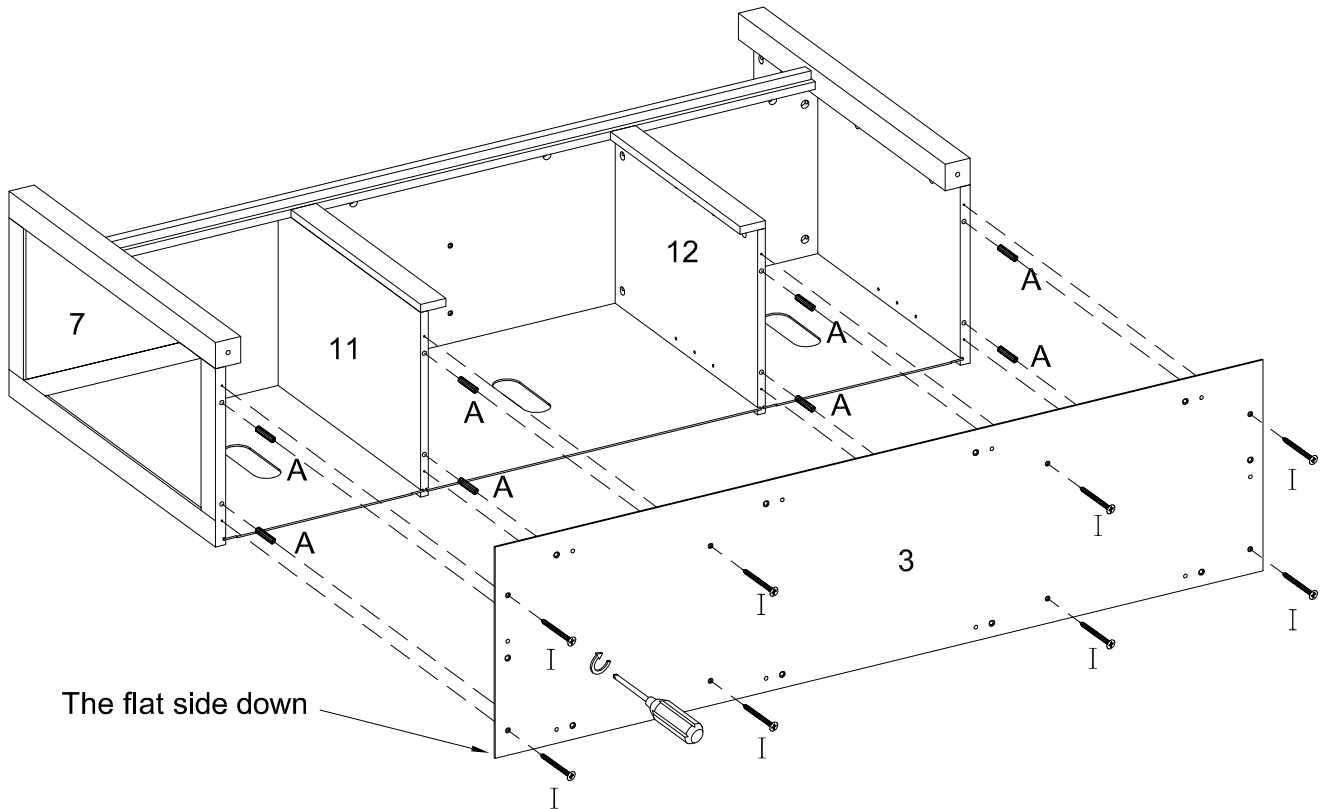
Step 9



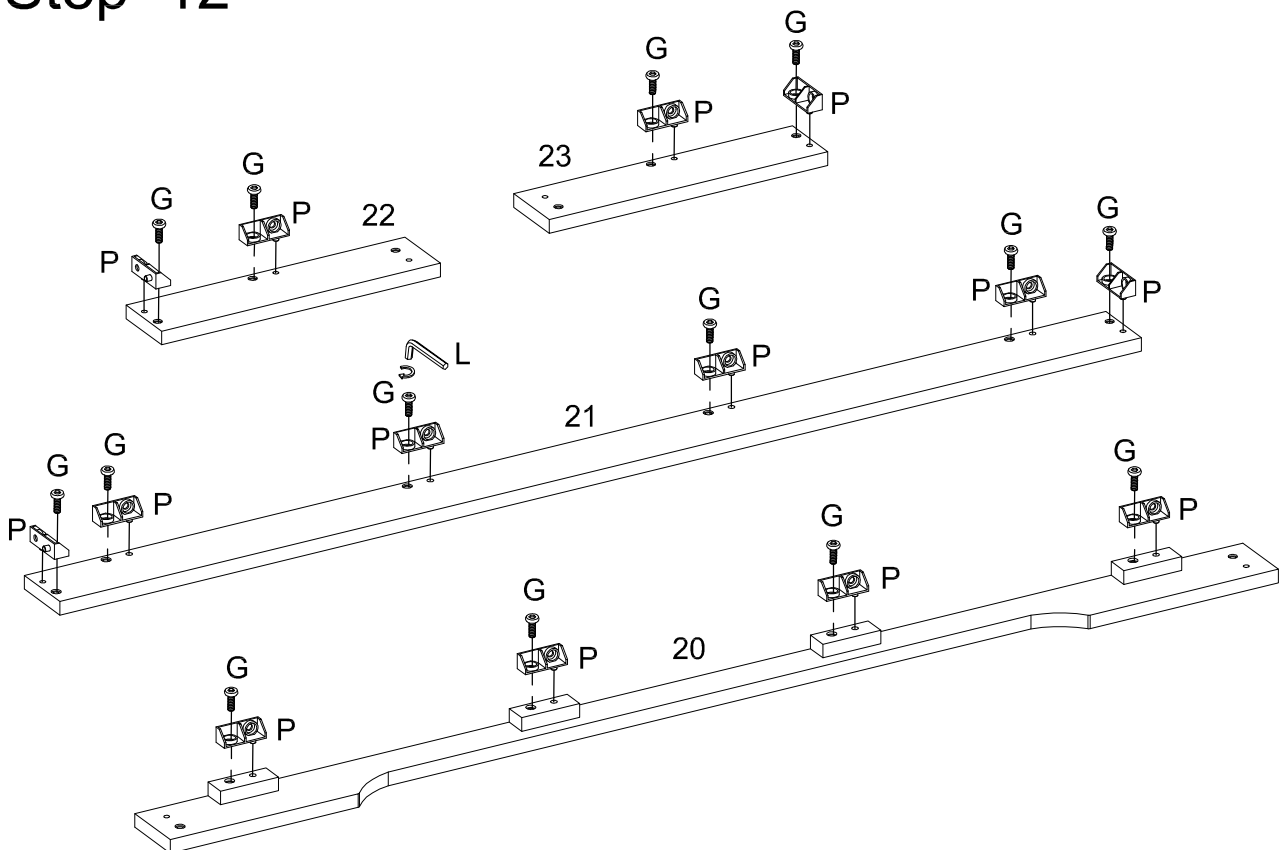
Step 10



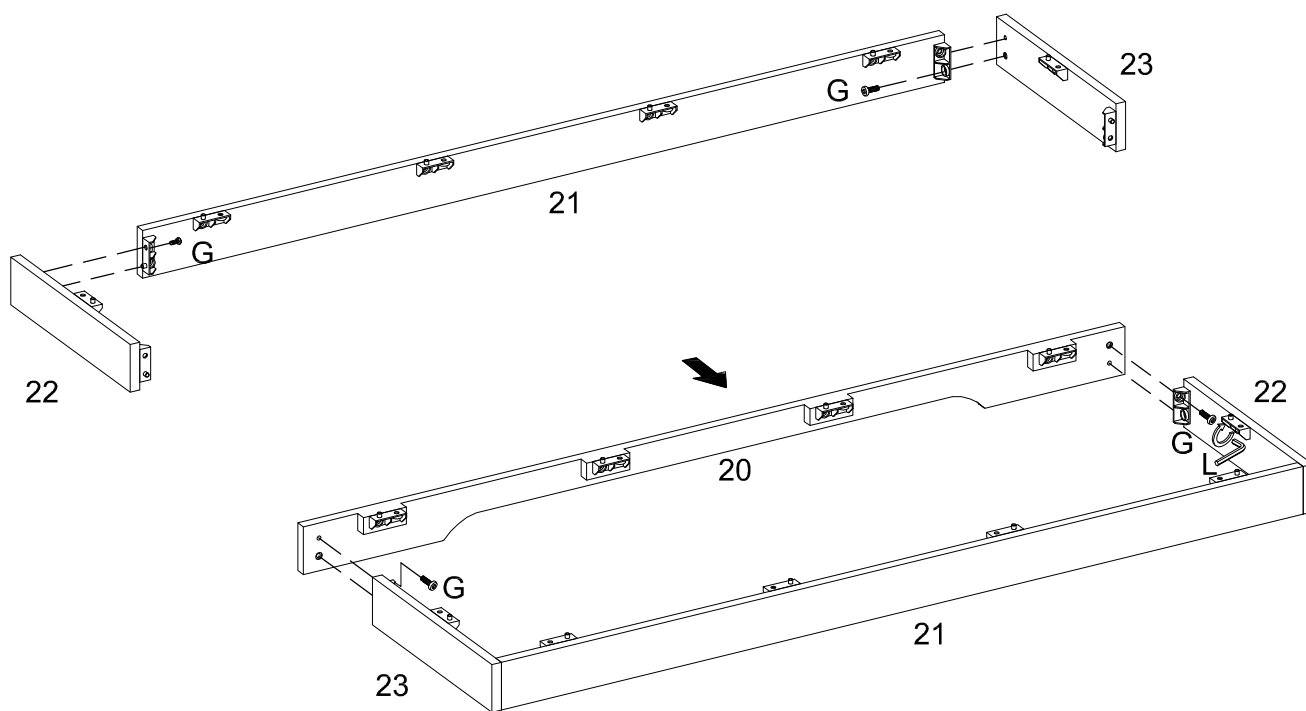
Step 11



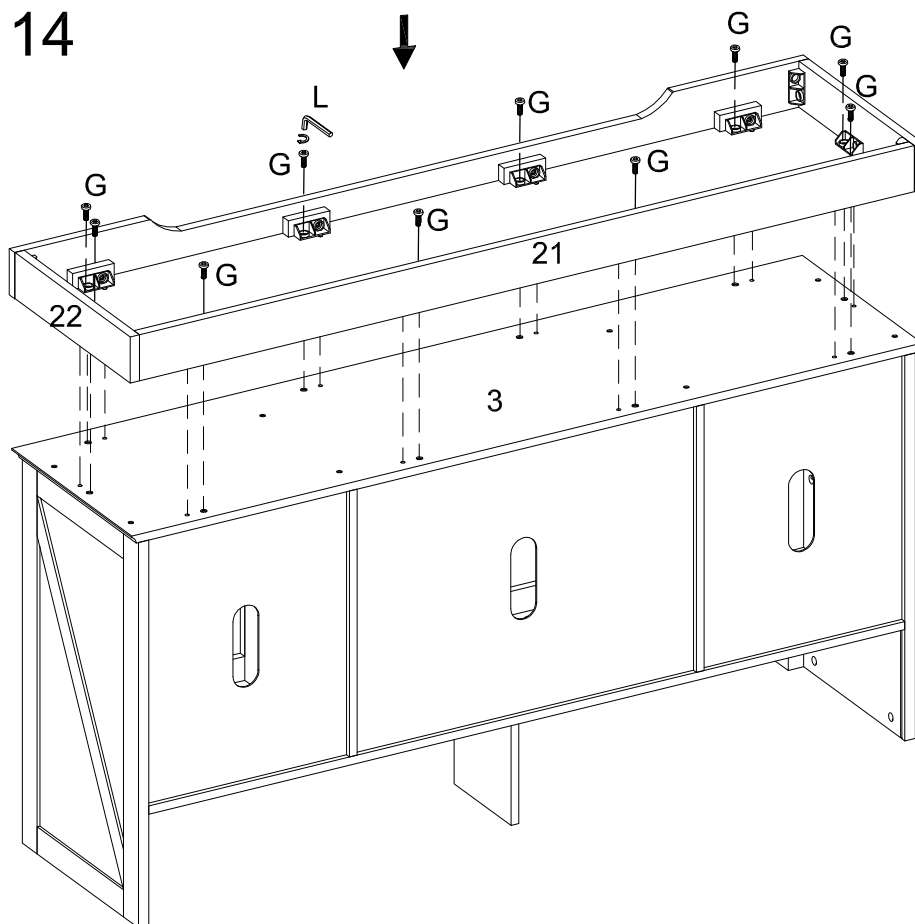
Step 12



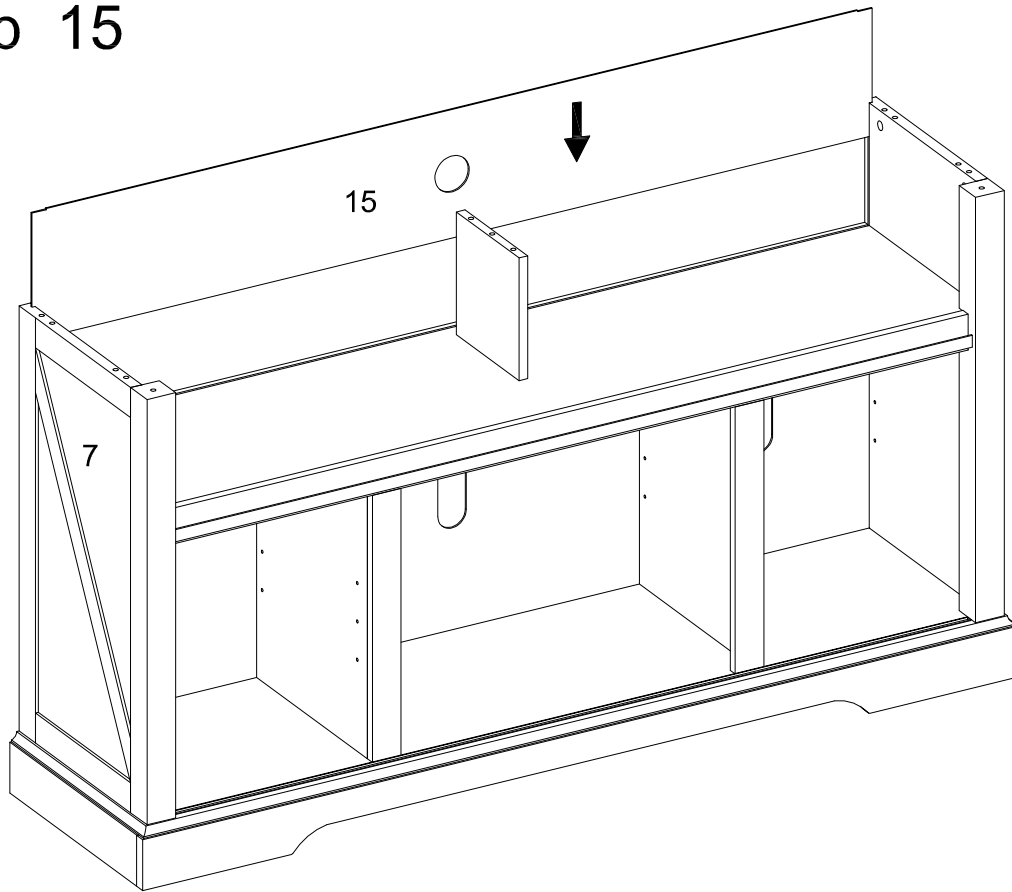
Step 13



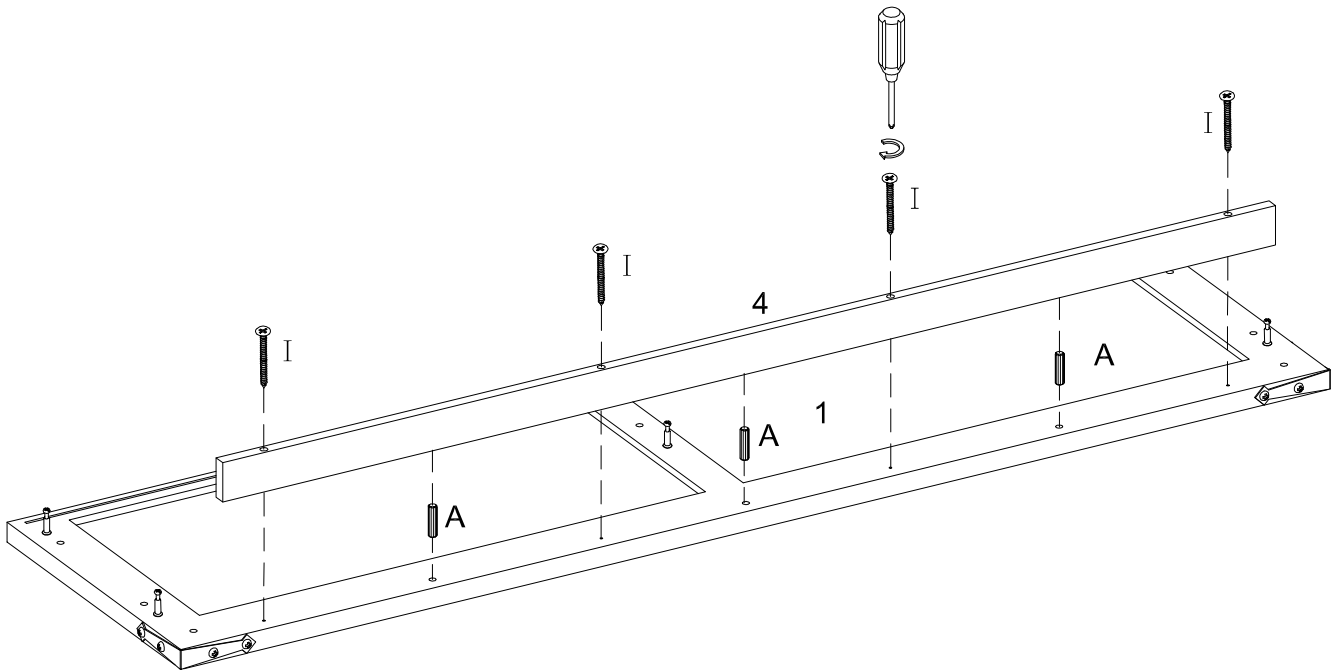
Step 14



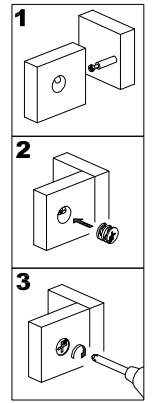
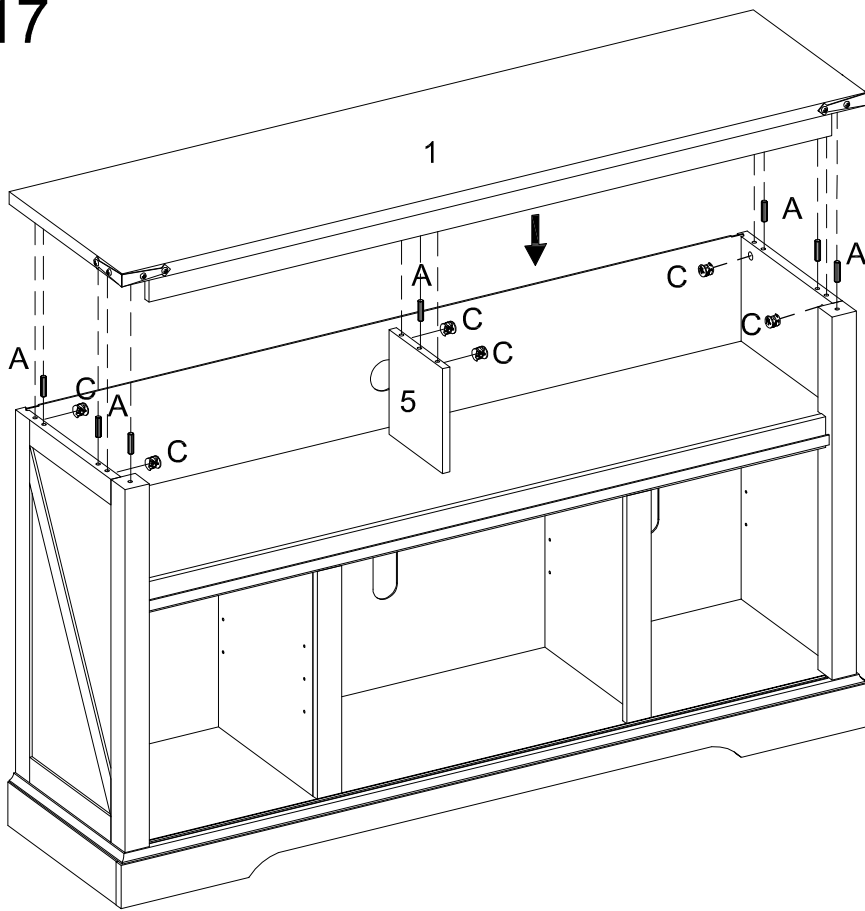
Step 15



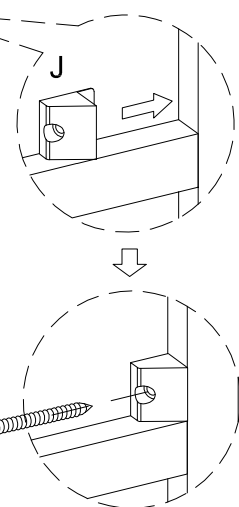
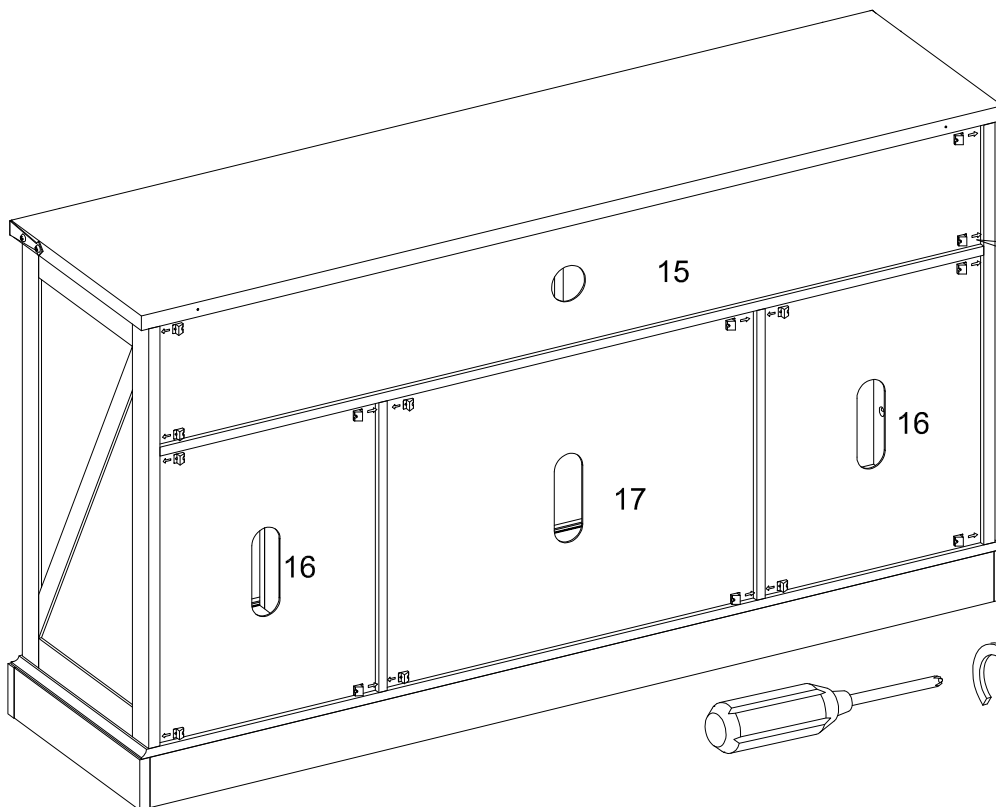
Step 16



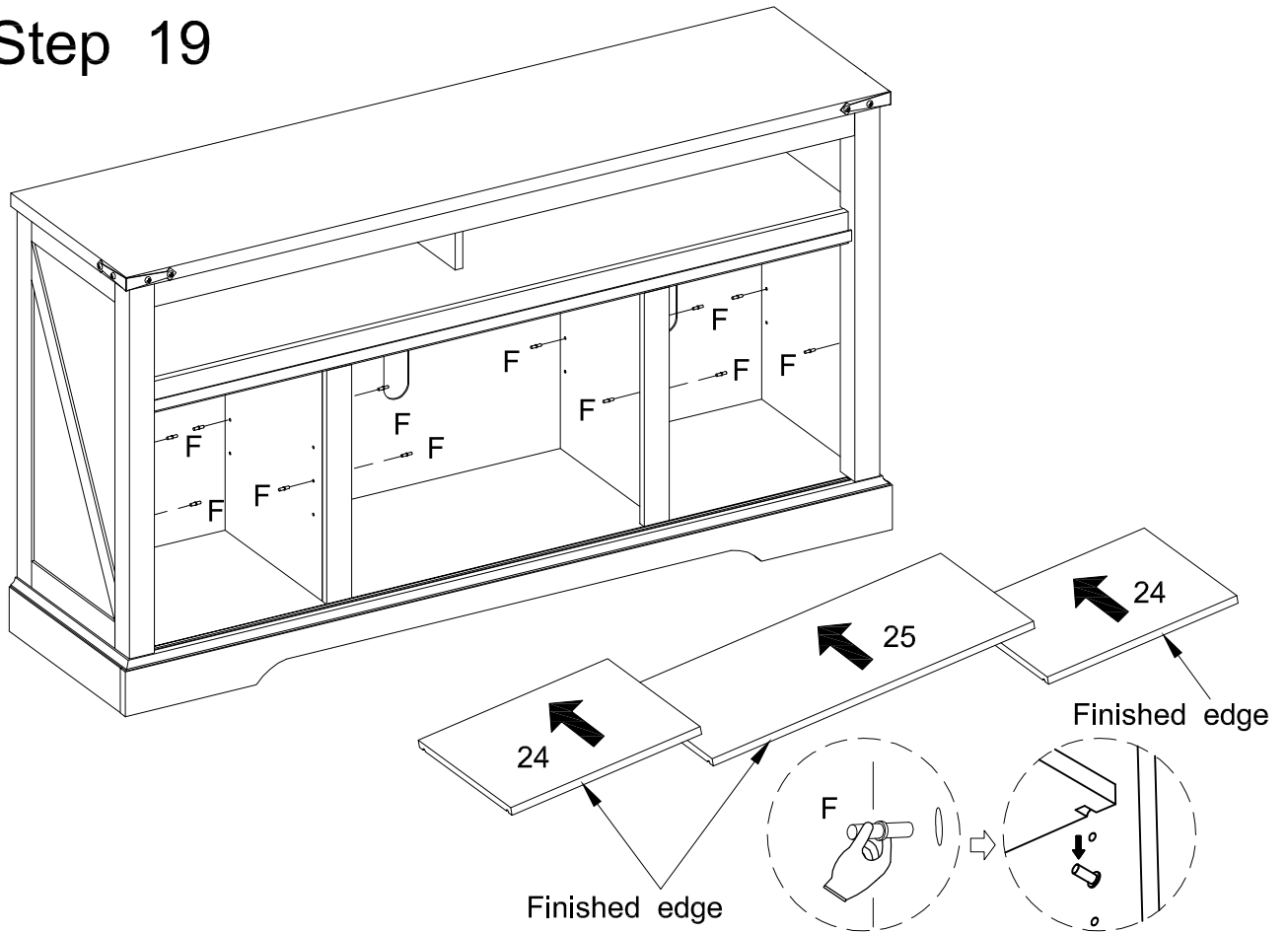
Step 17



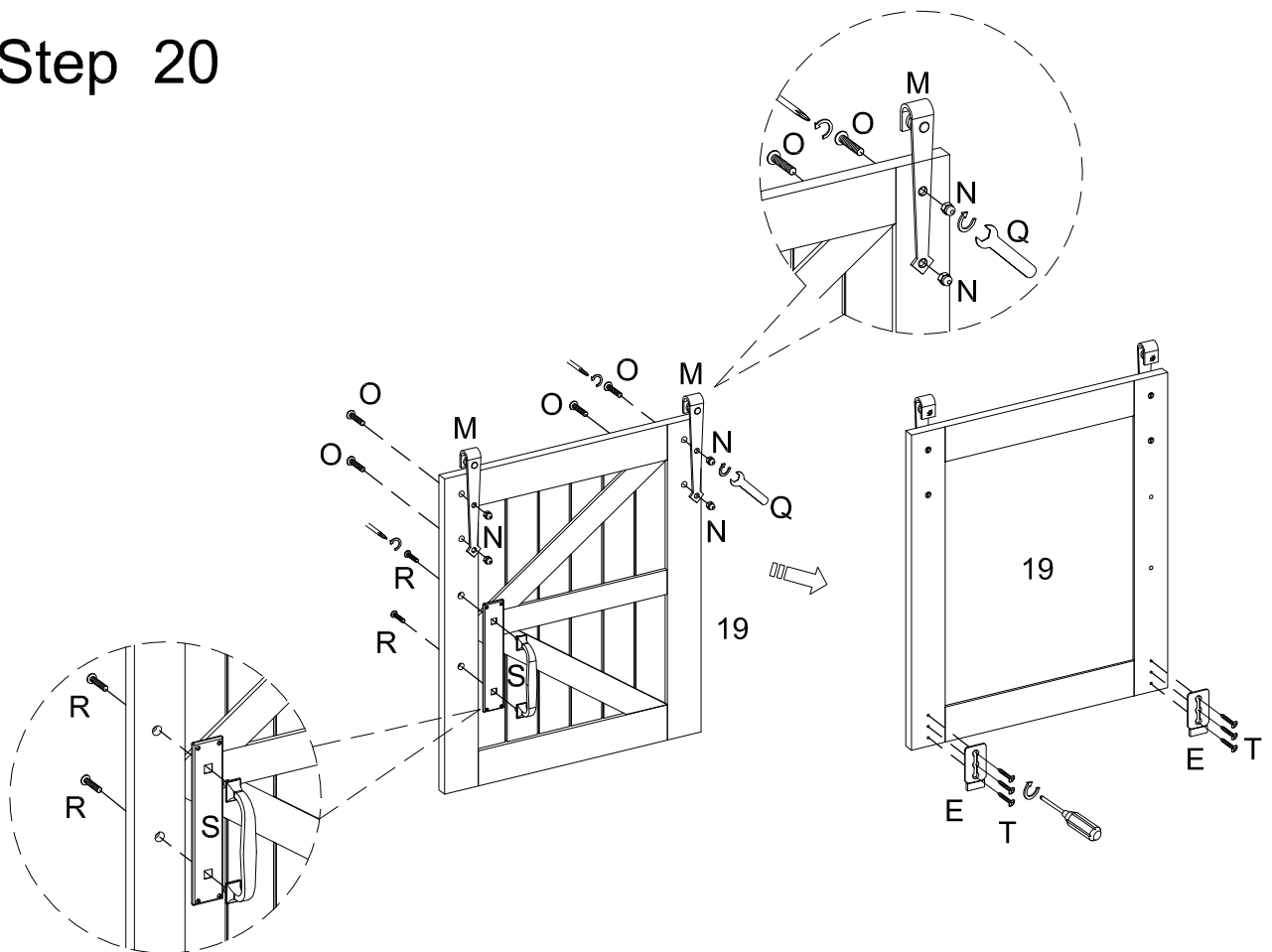
Step 18



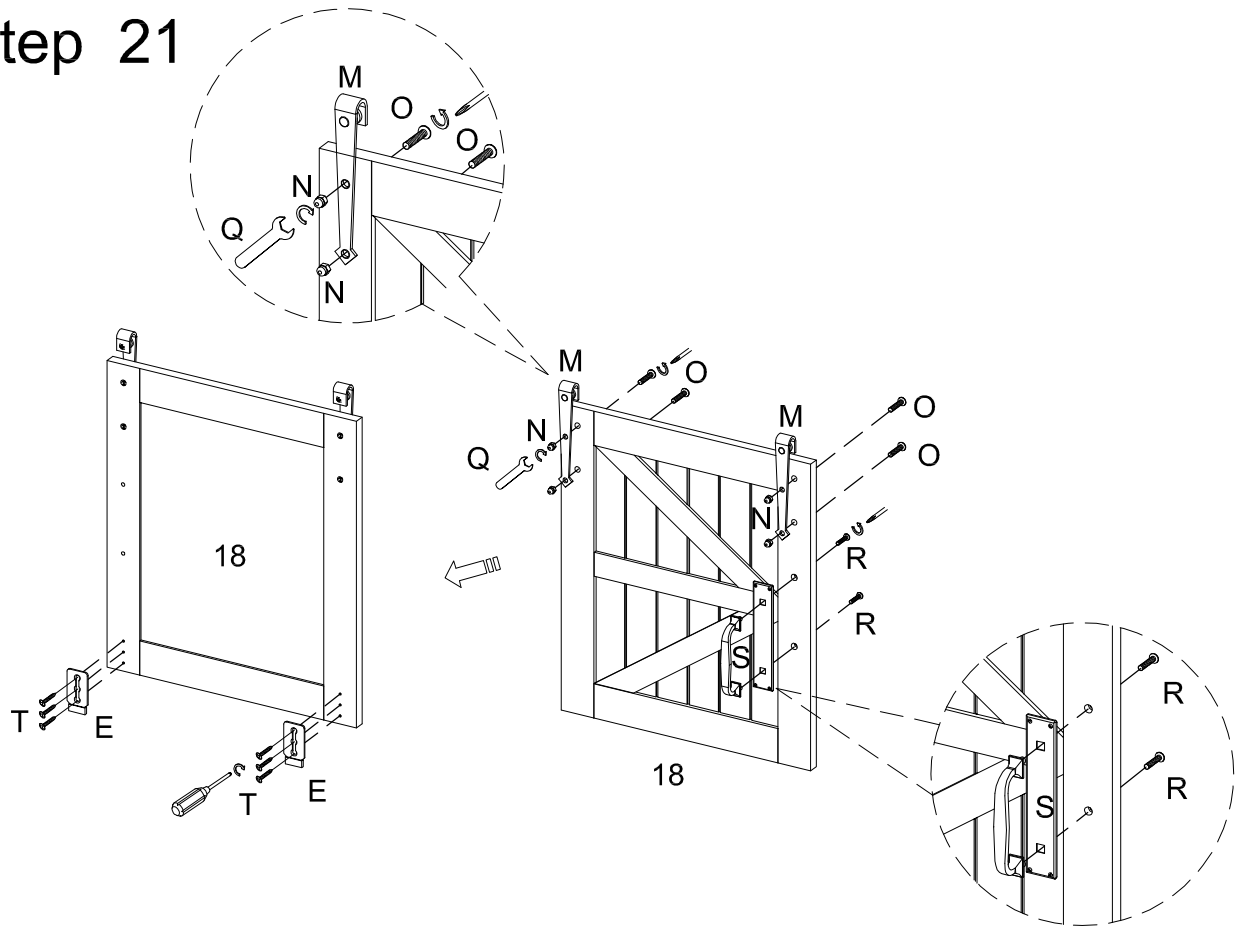
Step 19



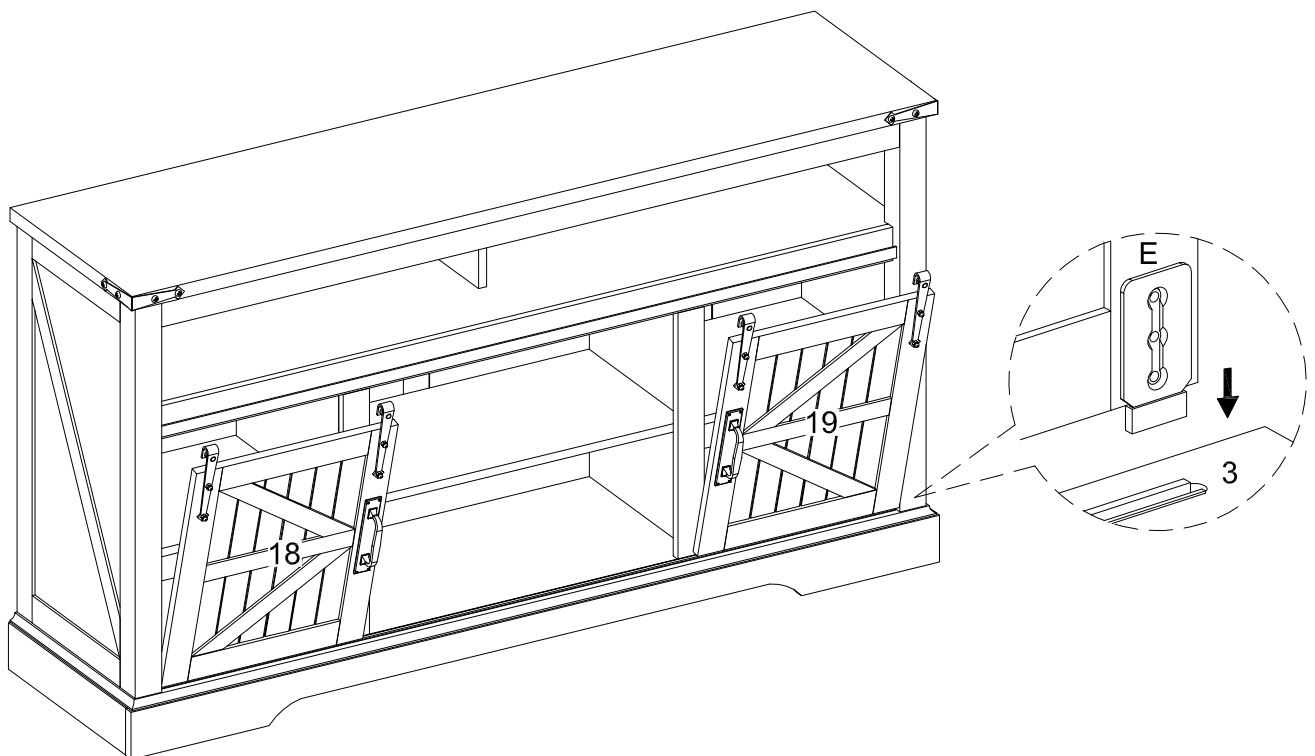
Step 20



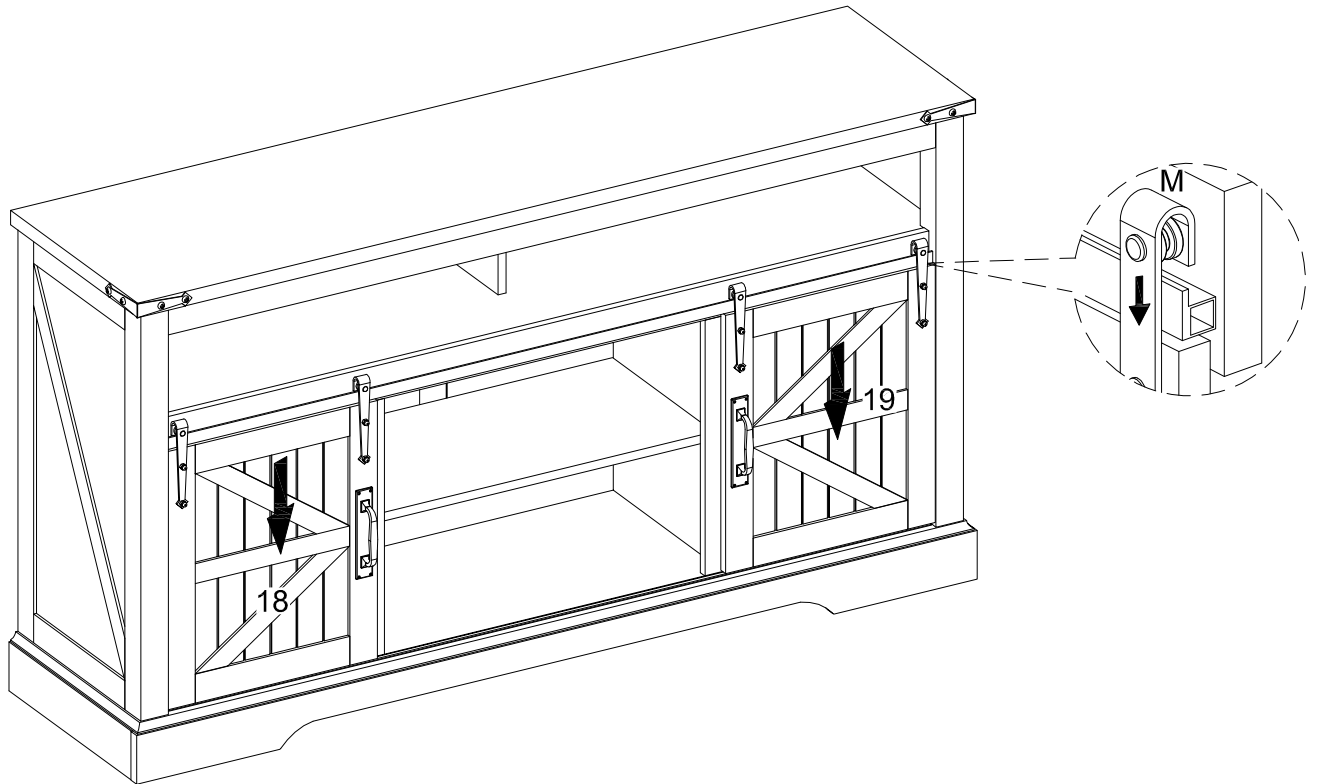
Step 21



Step 22



Step 23



Step 24

WARNING

Serious or fatal injuries can occur from furniture tipping over. To prevent the furniture from tipping over we recommend that it is permanently fixed to the wall. Wall anchor and hardware are included with this product. Please make sure hardware is suitable for your walls before installing, as different wall materials may require different types of anchors.

