

# ASSEMBLY INSTRUCTIONS

## SIDEBOARD

ASSEMBLY

1.5 Hours

2 -Person Assembly

Tools Required (Not Provided):

REQUIREMENTS

Assembly Time

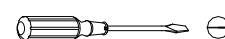


Phillips Screwdriver



(Approximate)

Flat Head Screwdriver



### Thank you for purchasing our product!

Please refer and use this assembly instruction to assemble the product.  
Contact our customer service department in case there are any missing or damage parts or hardware.  
Replacement parts are normally shipped within 2 or 3 days.

### PRODUCTS PURCHASED THROUGH OUR AUTHORIZED VENDORS ONLY ARE ELIGIBLE FOR REPLACEMENT PARTS.

We appreciate your business!

**THIS PRODUCT IS FOR INDOOR AND HOUSEHOLD USE ONLY - NOT FOR COMMERCIAL USE.**

### ASSEMBLY PREPARATION

1. Remove all packaging materials, staples and packing straps from the carton.
2. Refer to Parts List and Hardware List and ensure they are correct before assembly.  
Contact customer service for missing parts.
3. Place all wooden parts on a clean, flat and soft surface (e.g. carpet or rug) to prevent parts from getting scratched.

### SAFETY PRECAUTION

1. KEEP ALL HARDWARE PARTS OUT OF REACH OF CHILDREN.
2. DISPOSE PLASTIC PACKAGING MATERIAL IMMEDIATELY TO AVOID ANY RISK OF SUFFOCATION TO CHILDREN AND ANIMALS.

### TIPS FOR ASSEMBLY

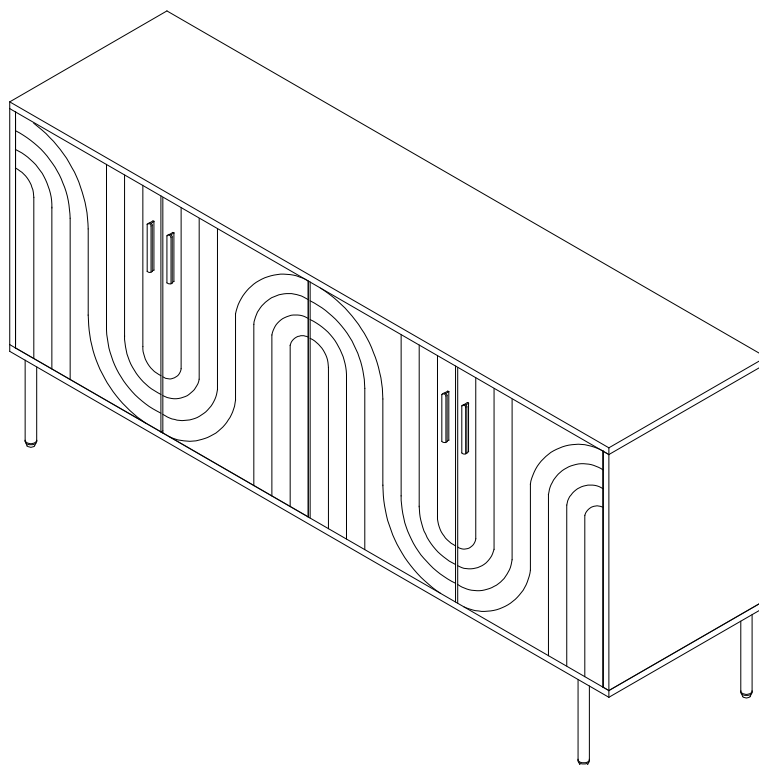
1. Allow ample room for assembly and in close proximity to where product will be placed.
2. Assemble the product on a surface that does not scratch or damage the exterior gloss and finish of the furniture.
3. Identify all of the parts, hardware and quantities required for each step.
4. During assembly, do not over-tighten any fittings as this may cause damage.
5. DO NOT USE POWER TOOLS TO ASSEMBLE THIS PRODUCT.
6. Always place the product on a flat, level surface.
7. Do not sit or stand on the partially assembled product; only use the product for which it is intended.

### CARE AND MAINTENANCE












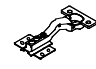




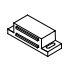


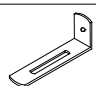
1. Wipe clean with a soft, dry cloth; avoid the use of harsh chemicals or household cleaners as they may damage the exterior finish of the furniture.
2. Hardware may loosen over time. Periodically, check that all connections are tight; re-tighten as necessary.
3. Solid wood is impacted by heat and humidity fluctuations which may cause small joint separations or hairline cracks; place the furniture away from direct sunlight and air conditioning vents, heating vents or units to protect the furniture.

# ASSEMBLY INSTRUCTIONS

## SIDEBOARD






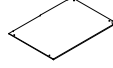
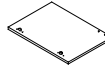
### Hardware List

ITEM	DESCRIPTION	PART	QTY	ITEM	DESCRIPTION	PART	QTY
A	Cam-bolt	 6*35mm	6 pcs	K	Shelf Pin		8 pcs
B	Cam-lock	 15*10mm	6 pcs	L	Handle		4 pcs
C	Wood Dowel	 8*30mm	12 pcs	M	Handle Bolt	 4*16mm	8 pcs
D	Bolt	 6*14mm	20 pcs	N	Screw	 7*40mm	6 pcs
E	Screw	 3*12mm	4 pcs	O	Allen Key		1 pc
F	Screw	 3*14mm	4 pcs	P	Hinge		4 pcs
G	Screw	 3.5*12mm	50 pcs	Q	Hinge		4 pcs
H	Magnetic Plate		4 pcs	R	Plastic Anchor		2 pcs
I	Magnetic Catch		2 pcs	S	Screw	 3.5*40mm	2 pcs
J	Screw	 2.5*10mm	25 pcs	T	Bracket		2 pcs

# ASSEMBLY INSTRUCTIONS

## SIDEBOARD

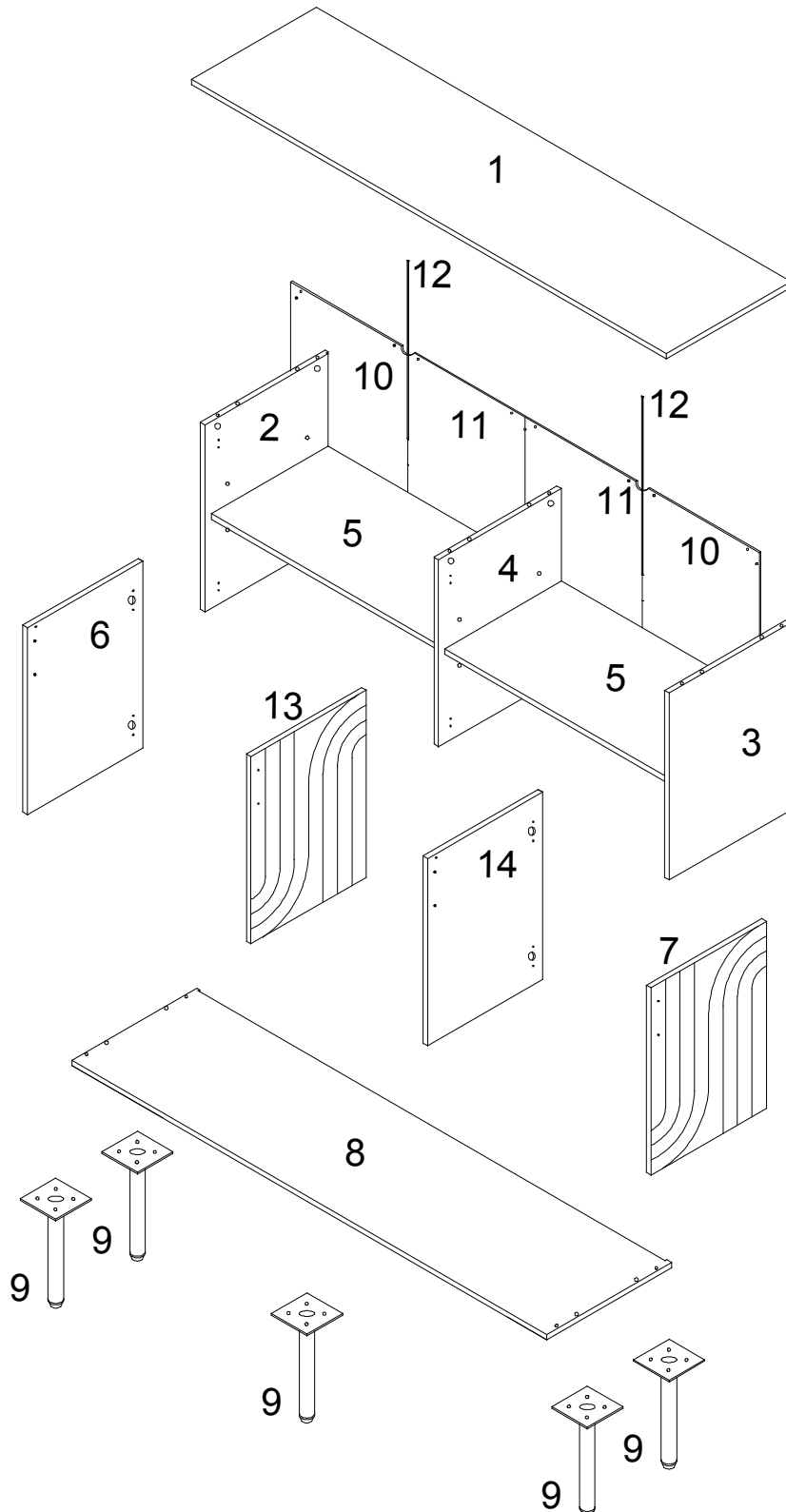
### Parts List

ITEM	DESCRIPTION	PART	QTY	ITEM	DESCRIPTION	PART	QTY
1	Top Panel		1 pc	8	Bottom Panel		1 pc
2	Left Panel		1 pc	9	Leg		5 pcs
3	Right Panel		1 pc	10	Side Back Panel		2 pcs
4	Divide Panel		1 pc	11	Middle Back Panel		2 pcs
5	Adjustable Shelf		2 pcs	12	Back Panel Connect Bar		2 pcs
6	Left Door		1 pc	13	Middle Left Door		1 pc
7	Right Door		1 pc	14	Middle Right Door		1 pc

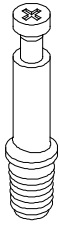
# ASSEMBLY INSTRUCTIONS

## SIDEBORD

### ASSEMBLY OVERVIEW



# Instructions For Fastening CAM-BOLT AND CAM-LOCK

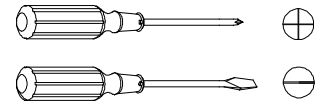


CAM-BOLT

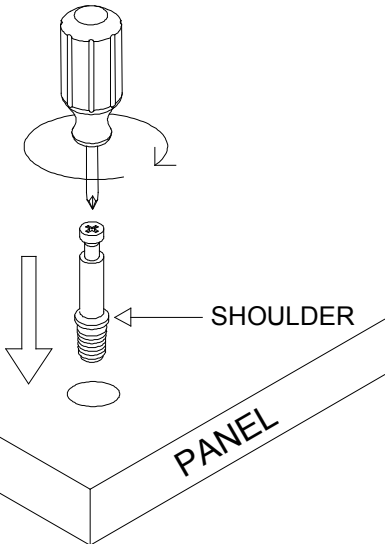


CAM-LOCK

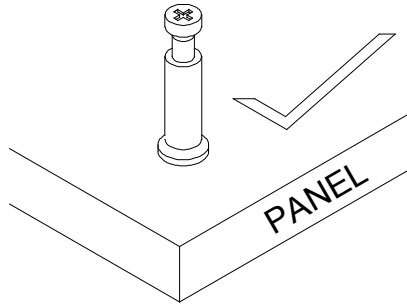
## Tools Required



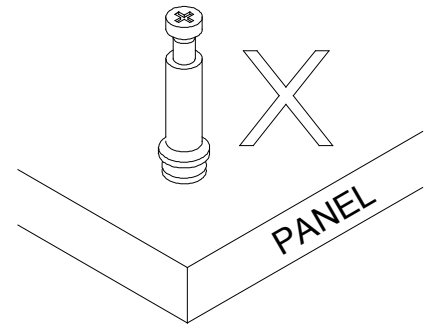
### INSERTING AND TIGHTENING CAM-BOLT



Place Cam-bolt on pre-drilled hole and screw in vertically.



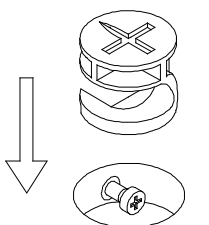
Shoulder is flushed (on the same level) with the panel.



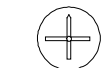
Shoulder is above the panel.

Place Cam-bolt to the designated pre-drilled holes on the panel. Use a Phillips Screwdriver to tighten Cam-bolt vertically until shoulder is flushed (on the same level) with panel. Do not over-tighten or under-tighten.

### INSERTING CAM-LOCK



Insert Cam-lock with arrow align to Cam-bolt head.



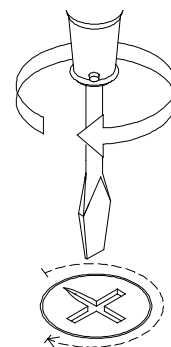
CORRECT



WRONG

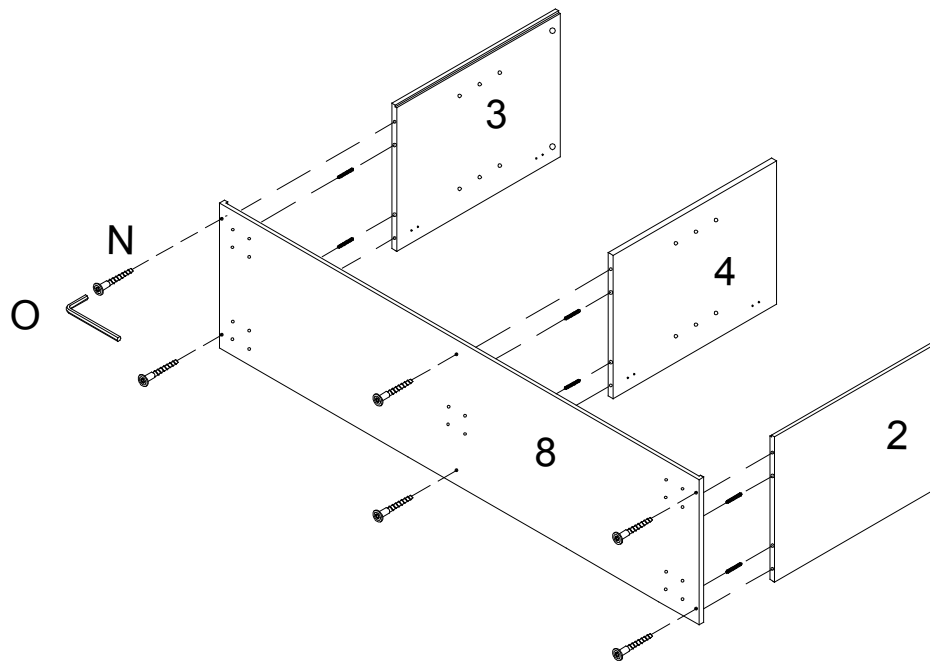
Align the arrow on the Cam-lock to the Cam-bolt head and insert the Cam-lock. Ensure Cam-lock is fully inserted.

### TIGHTENING CAM-LOCK



Use a Flat-head Screwdriver to turn Cam-lock clockwise so it locks onto the head of the Cam-bolt. Turn until it is snug (about 3/4ths of a turn) -- over-tightening could damage Cam-lock or/and Cam-bolt.

## STEP 1

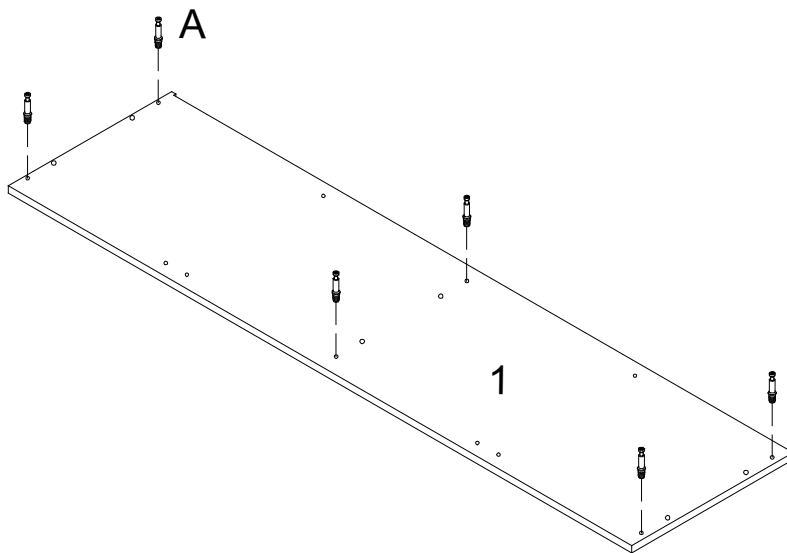


C		6 pcs
N		6 pcs
O		1 pc



- Prepare and position the parts as shown on a material that does not scratch and damage the parts.  
Note: The back edge (with groove) of (2, 3 & 8) has to face up.
- Insert Wood Dowel (C) to the inner two holes on the bottom edge of Left Side Panel (2), Right Panel (3) and Divide Panel (4).
- With assistance, attach Bottom Panel (8) to (2, 3 & 4) via the Wood Dowels.
- Use Screw (N) to fasten (8) to (2, 3 & 4) and tighten with Allen Key (O).

## STEP 2

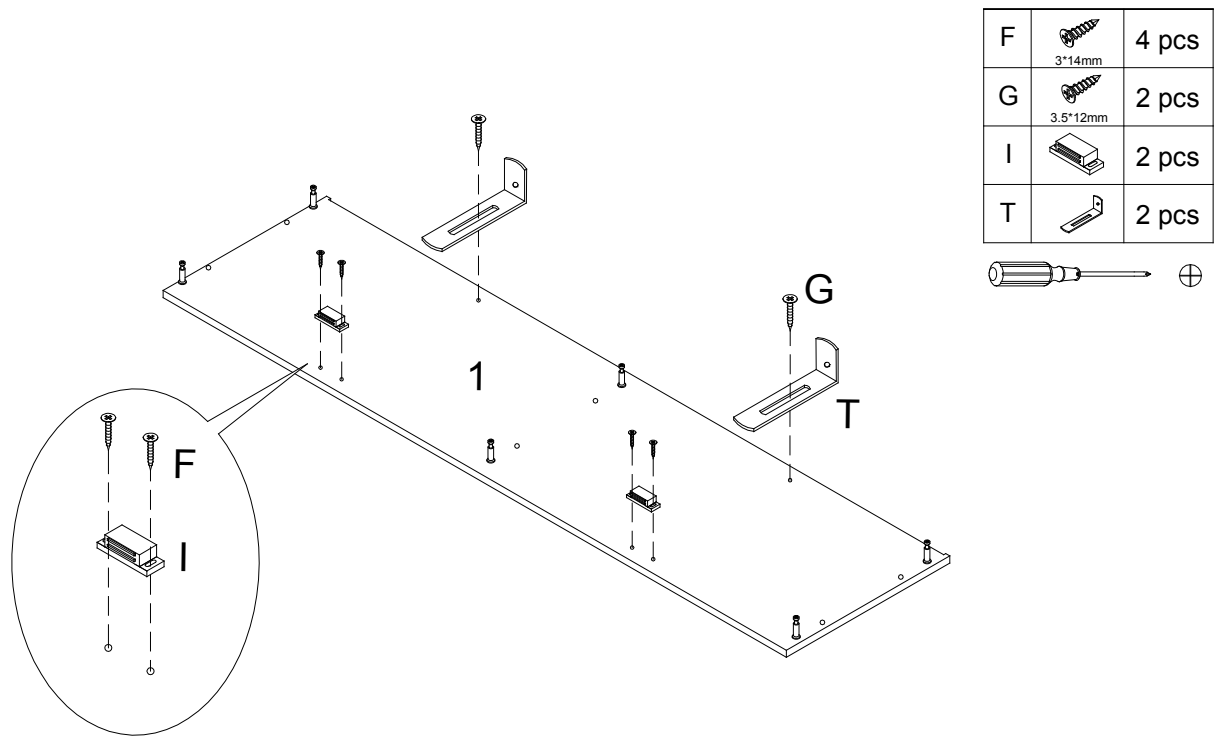


A		6 pcs
---	--	-------



- Lay Top Panel (1) bottom-side up on a material that does not scratch or damage the part.
- Screw in Cam-bolt (A) into the designated holes on (1). Refer to Page 5 for instructions on inserting and tightening Cam-bolt.

## STEP 3

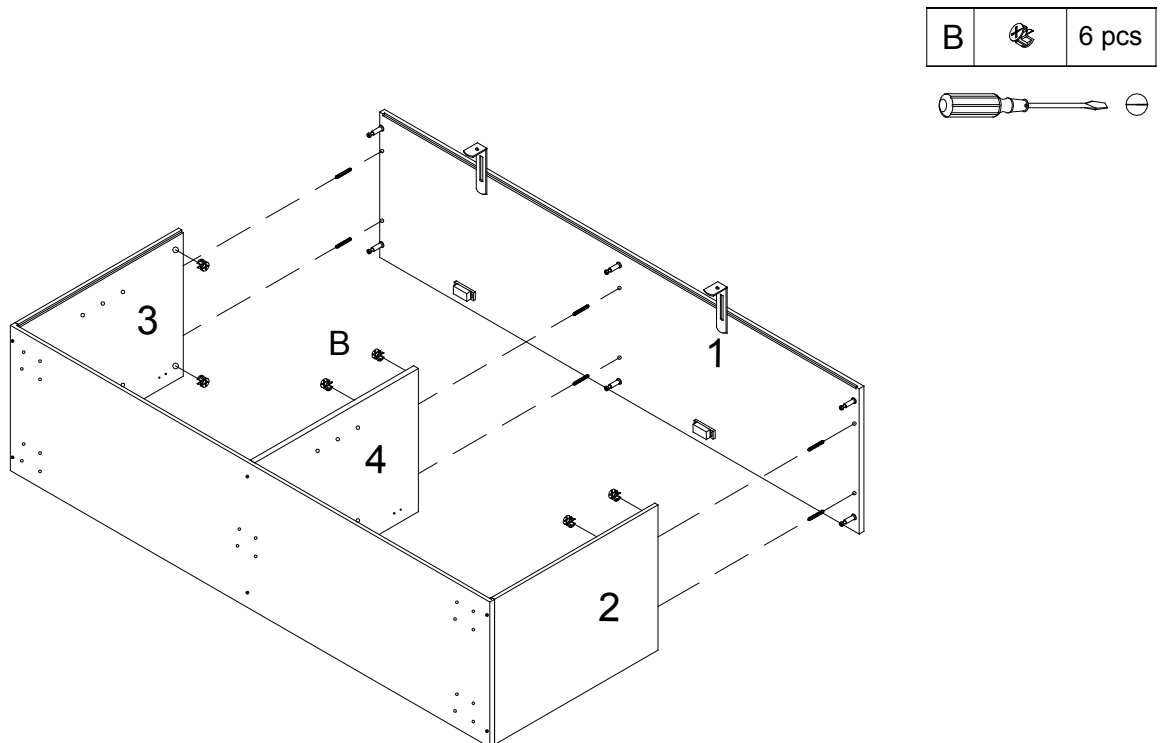


a) Attach Bracket (T) to Top Panel (1) by using Screw (G) as shown.

Do not tighten completely to allow the bracket to slide.

b) Fasten Magnetic Catch (I) to designated screw holes on front edge of (1) with Screw (F).

## STEP 4




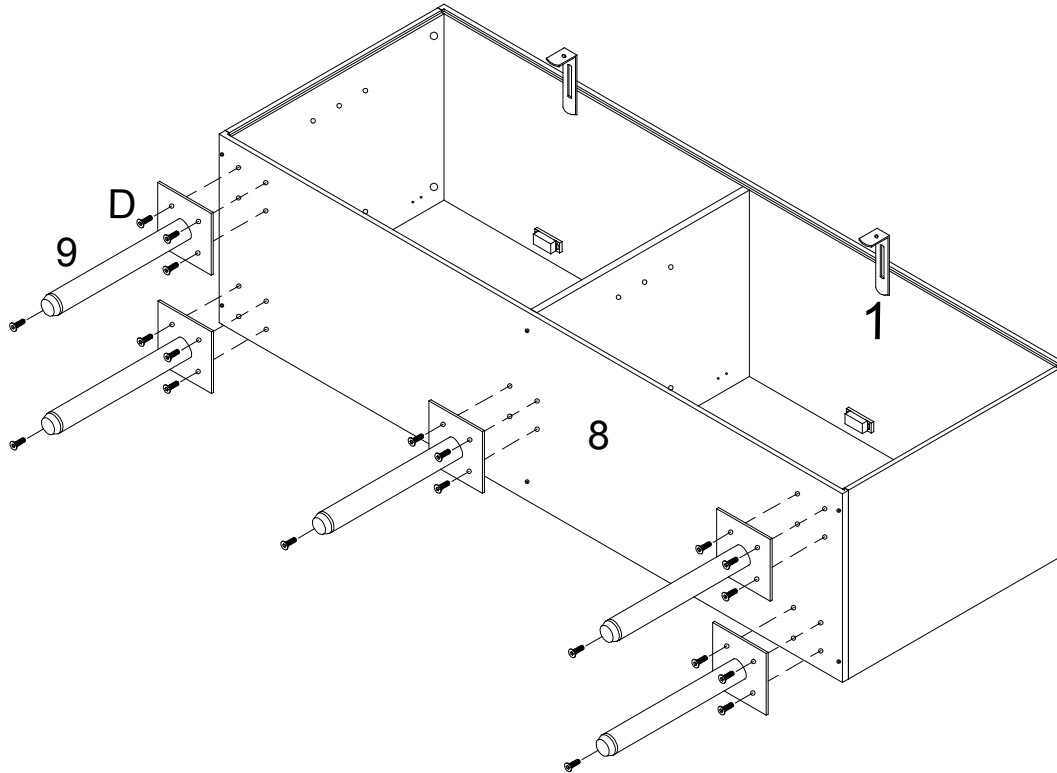
a) Insert Wood Dowel (C) to the inner two holes on top edge of Left & Right Panel (2 & 3) and Divide Panel (4).

b) Attach Top Panel (1) to (2, 3 & 4) via Wood Dowel and Cam-bolt on (1).

c) Insert Cam-lock (B) into the designated holes on (2, 3 & 4) then turn clockwise to lock onto Cam-bolt. Refer to Page 5 for instructions on inserting and tightening Cam-lock.

## STEP 5

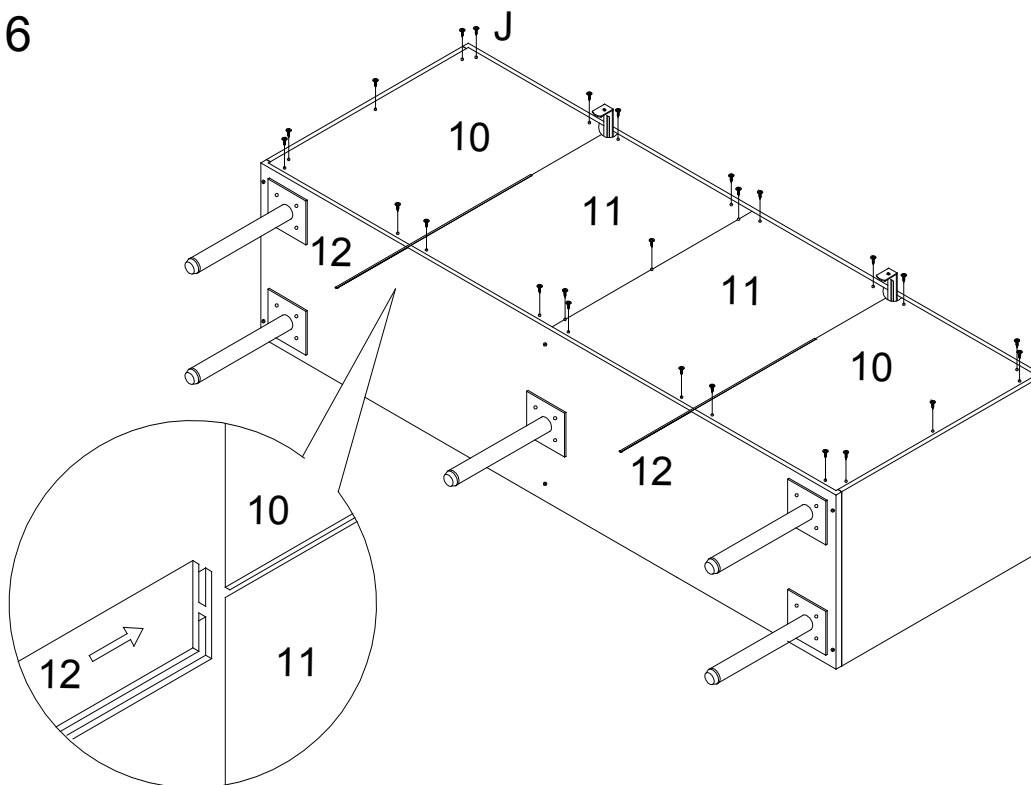
D		20 pcs
---	--	--------



- Align screw holes on Leg (9) to screw holes on Bottom Panel (8) and fasten (9) to Bottom Panel with Bolt (D).
- Do not tighten bolts completely until all 4 bolts are in place on each leg.

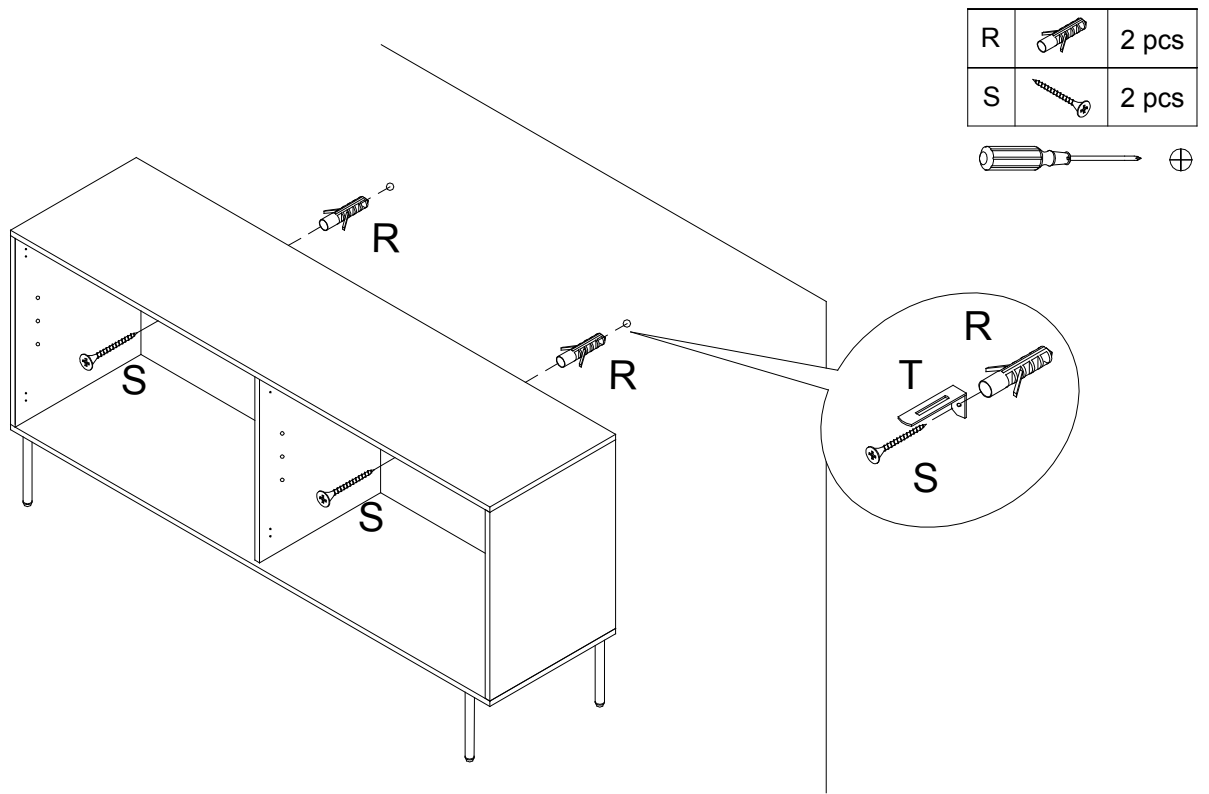
## STEP 6

J		25 pcs
---	---	--------



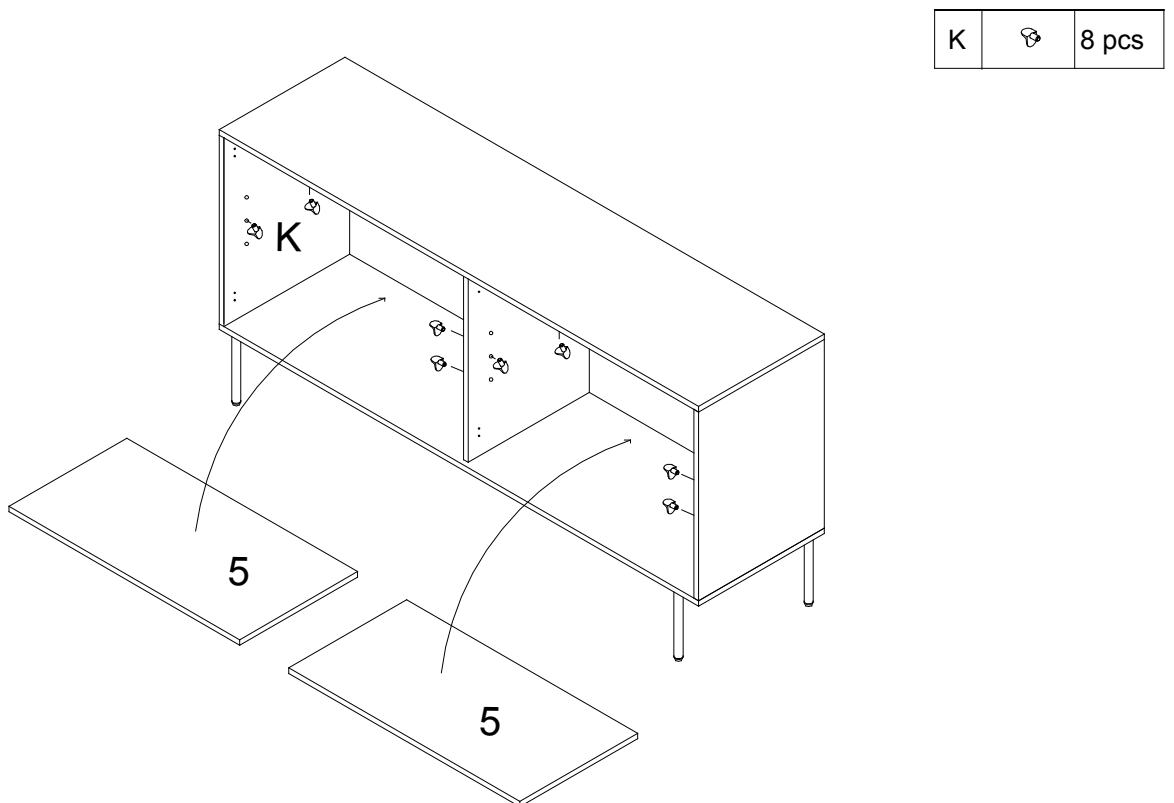
- Use Back Panel Connect Bar (12) to join Back Panel (10 & 11).
- Fit the 2 sets of Back Panel (10 & 11) squarely to the back of unit and fasten with Screw (J) at each pilot hole location as indicated.

## STEP 7



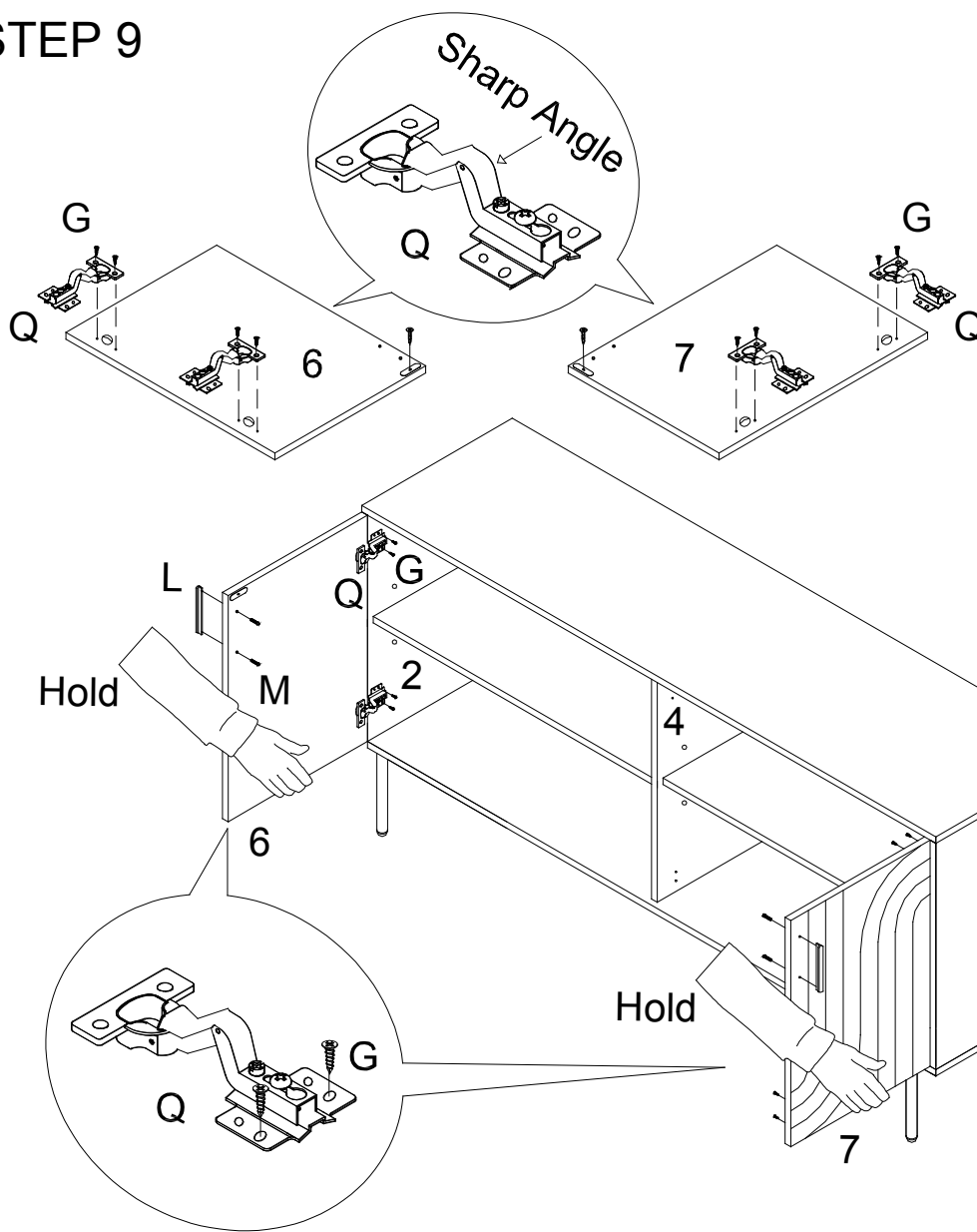
- Drill two holes in the dry wall per the length and diameter of Plastic Anchor (R) and the distance between the holes and the height need to be the same as the screw holes on Bracket (T) on the underside of Top Panel.
- Press Plastic wall anchor (R) into each of the 2 drilled holes. Ensure that the anchor fits securely in the wall.
- Drive Screw (S) through the screw hole on adjustable Bracket (T) into the screw hole on (R) to secure the Sideboard to the wall.

## STEP 8



- Insert Shelf Pin (K) into the designated holes on the same level at the desired height on each side and divide panel.
- Place Adjustable Shelf (5) by tilting it slightly to fit between each side and divide panel and then level the shelf to sit on Shelf Pin (K).

## STEP 9

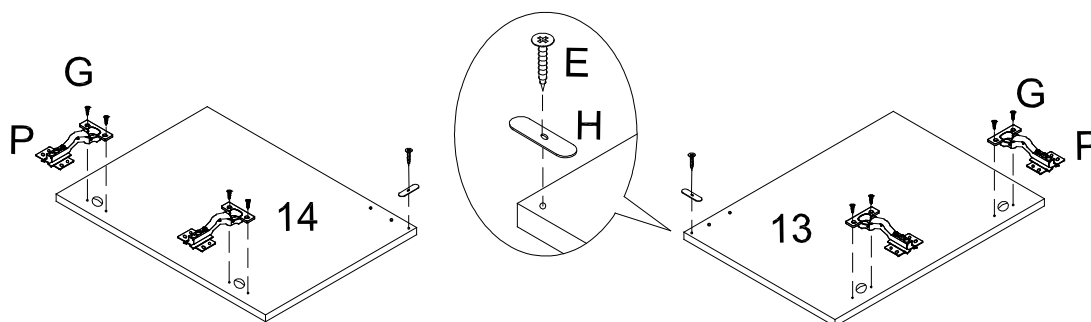


E	3*12mm	2 pcs
G	3.5*12mm	16 pcs
H		2 pcs
L		2 pcs
M		4 pcs
Q		4 pcs



- Lay Left and Right Door (6 & 7) bottom-side on a material that does not scratch and damage the parts.
- Attach Magnetic Plate (H) to Door (6 & 7) using Screw (E) as shown.
- DISTINGUISHED BETWEEN HINGE (G) AND HINGE (P).
- Install Hinge (Q) to Left Door (6) and Right Door (7).
- Install Hinge (P) to Middle Left Door (13) and Middle Right Door (14).
- Use Screw (G) to fasten Hinge. Do not tighten screw completely until both screws are in place on each hinge.

## STEP 10

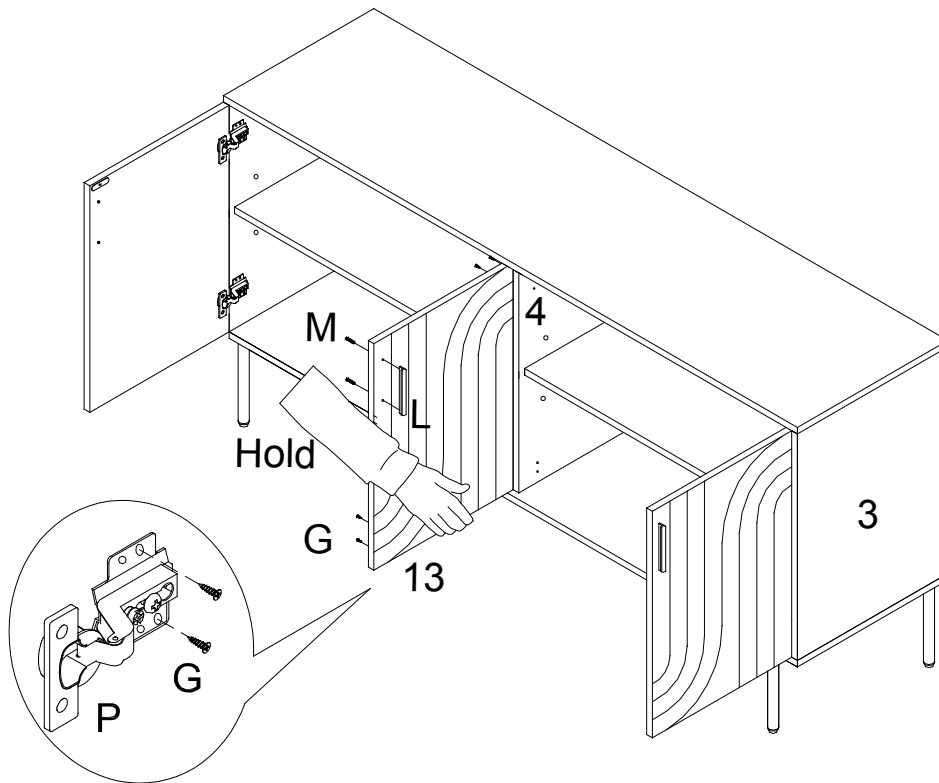





E	3*12mm	2 pcs
G	3.5*12mm	8 pcs
H		2 pcs
P		4 pcs



- Use Screw (G) to fasten Left Door (6) with Hinge (Q) to Left Panel (2).
- Use Screw (G) to fasten Right Door (7) with Hinge (Q) to Right Panel (3).
- Attach Handle (L) to Door with Handle Bolt (M).

# STEP 11

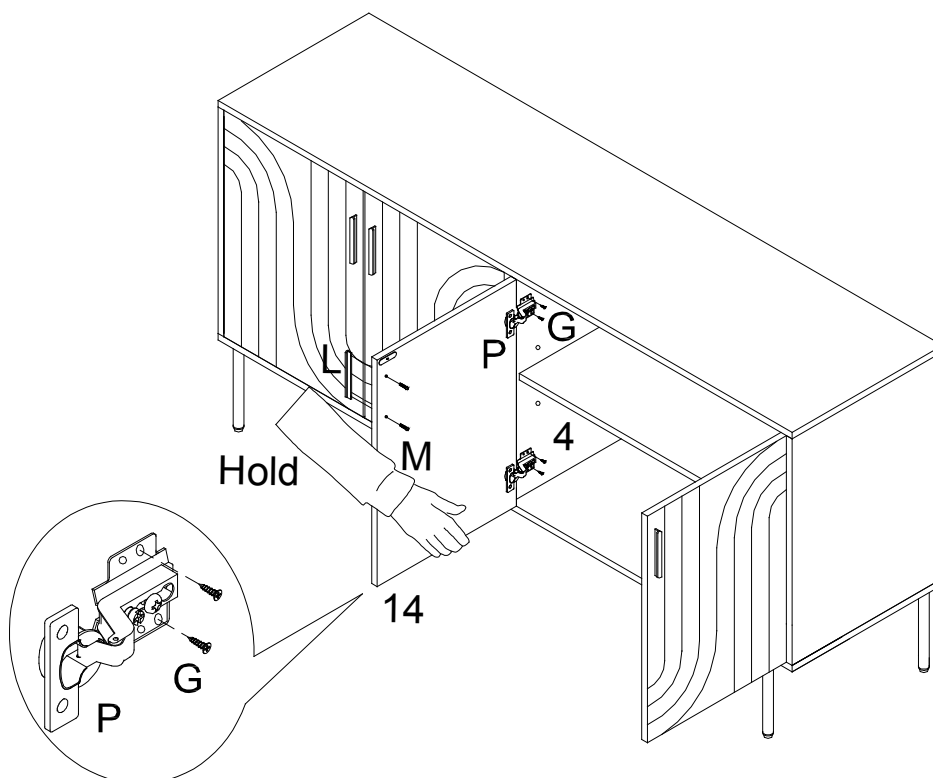





G	 3.5*12mm	4 pcs
L		1 pc
M		2 pcs



- Use Screw (G) to fasten Middle Left Door (13) with Hinge (P) to Divide Panel (4).
- Attach Handle (L) to Door with Handle Bolt (M).

# STEP 12

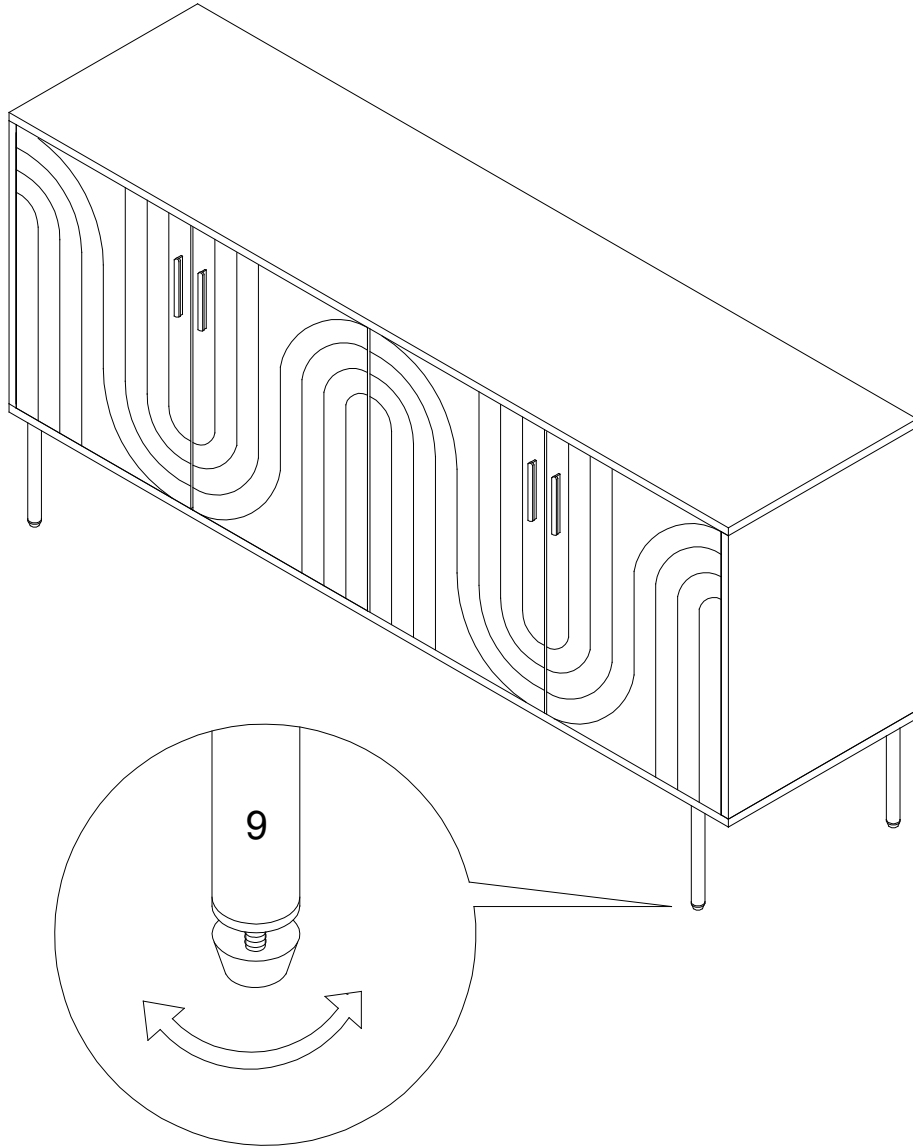


G	 3.5*12mm	4 pcs
L		1 pc
M		2 pcs



- Use Screw (G) to fasten Middle Right Door (14) with Hinge (P) to Divide Panel (4).
- Attach Handle (L) to Door with Handle Bolt (M).

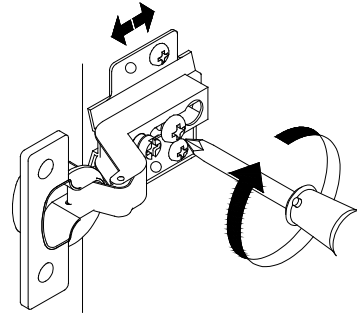
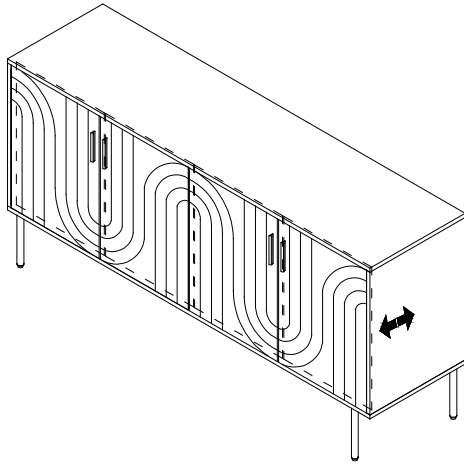
# STEP 13



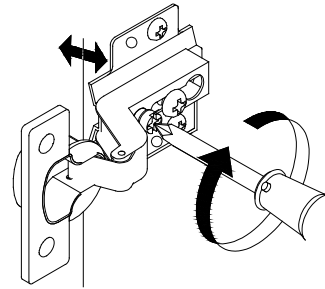
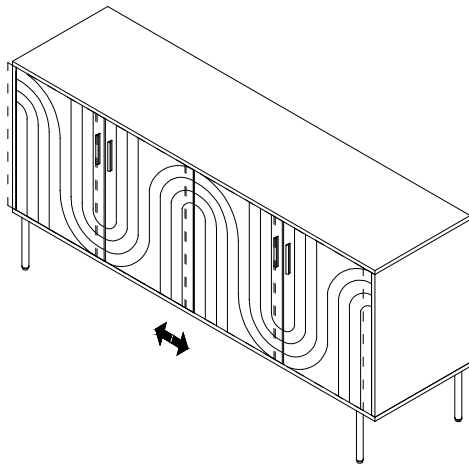
Adjust the adjustable Leg Stud on Leg (9) to level the Sideboard if necessary.

# STEP 14

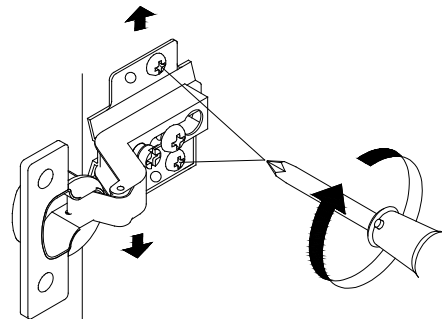
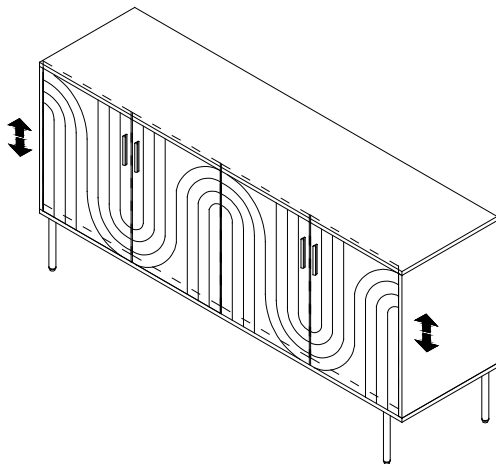
Door Adjustments - If necessary, adjust the doors to reduce gap between doors and also for a better fit.



Adjust the back screw as shown to adjust the door front and back.




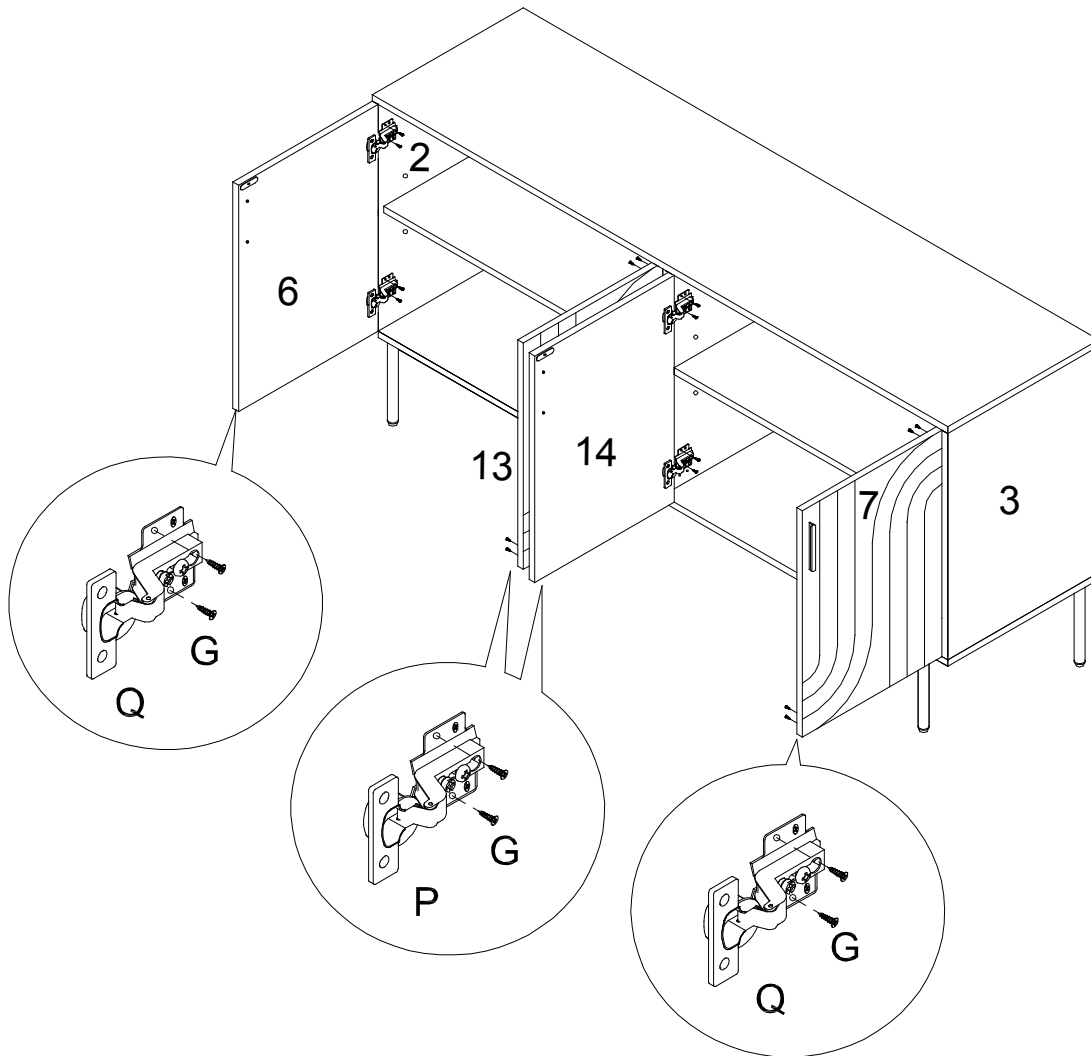
Adjust the front screw as shown to adjust the door left and right.



Adjust two screws as shown to adjust the door up and down.

# STEP 15

G		16 pcs
---	--	--------



After the door adjustment is complete, use 2x Screw (G) to fix the position of the hinge.

The assembly of the Sideboard is complete.