



Unlimited Creativity, Astonishing Quality, Excellent Service



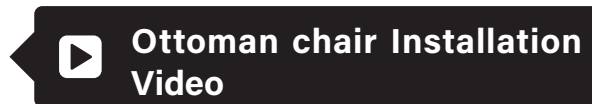
**Assembly Instruction**  
**OTTOMAN**

# READ BEFORE INSTALLATION

1. If you encounter any problems, such as missing accessories or damaged parts, please contact us and send us pictures in time (email: [jm@nicesoulfurniture.com](mailto:jm@nicesoulfurniture.com)), our after-sales team will reply you within 24 hours.
2. 2 persons needed for assembly.
3. Using an electric drill in slow mode, Our allen wrench is preferred.
4. DO NOT tighten the screws completely until align all the screws with the holes.

## Back cushion NOTE

1. The back cushion is vacuumed sealed. After opening the bag, some time and fluffing will be required for the cushion to return to the original thickness.
2. Rub and flap the cushion to original thickness before use.



**Scan the QR to watch the installation video**

# Hardware

2 SETS IN BOX



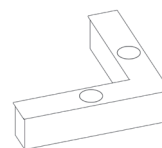
# F  
M6 \* 35  
x 24



# W  
Washer  
x 16



# H  
Allen key  
x 1



# G  
Sofa legs  
x 4

## Spare part

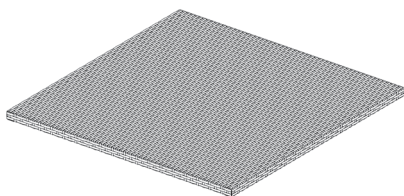


Screwdriver

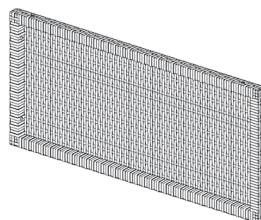


Wicker

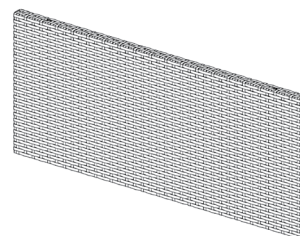
You can use it to repair our sofa ( when you have a damaged edge or comer )  
Watch our video to learn more.



# L  
x 1

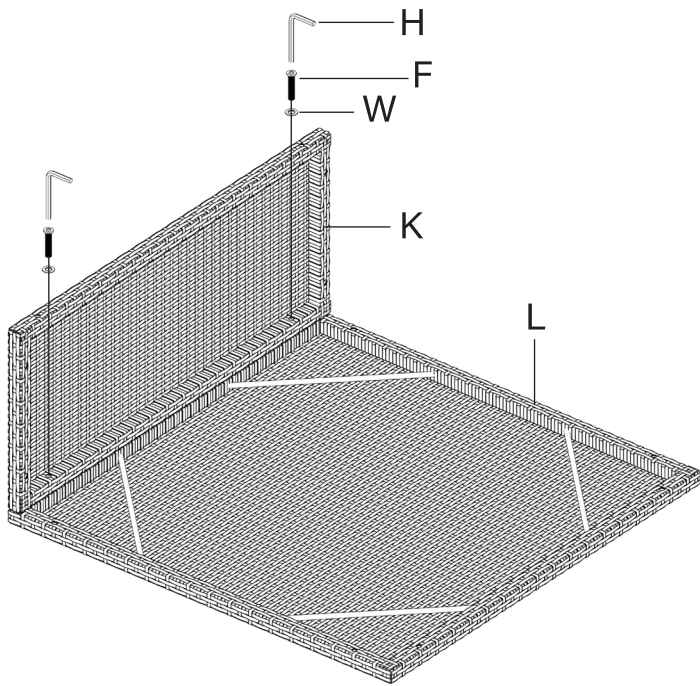


# M  
65cm / 25.6in  
x 2

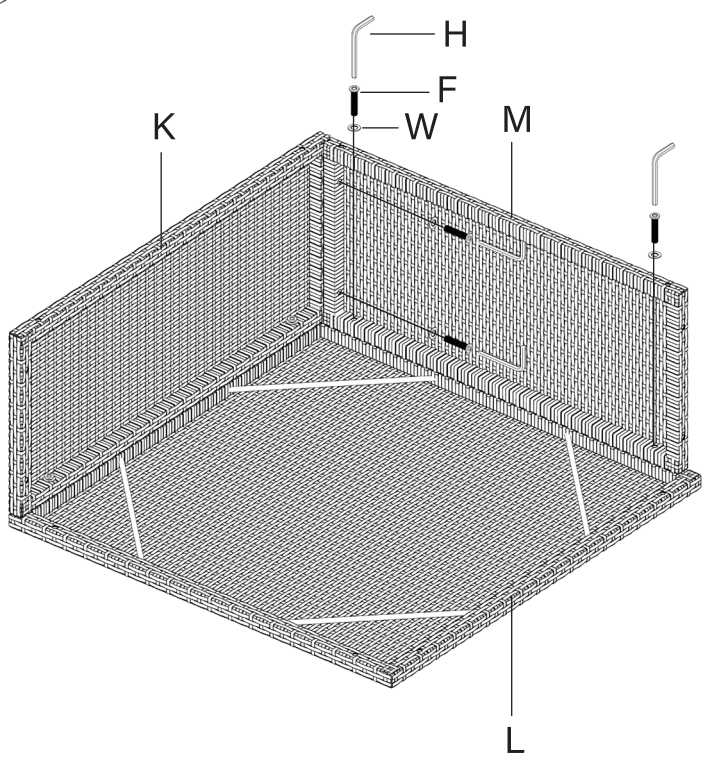


# K  
70cm / 27.5in  
x 2

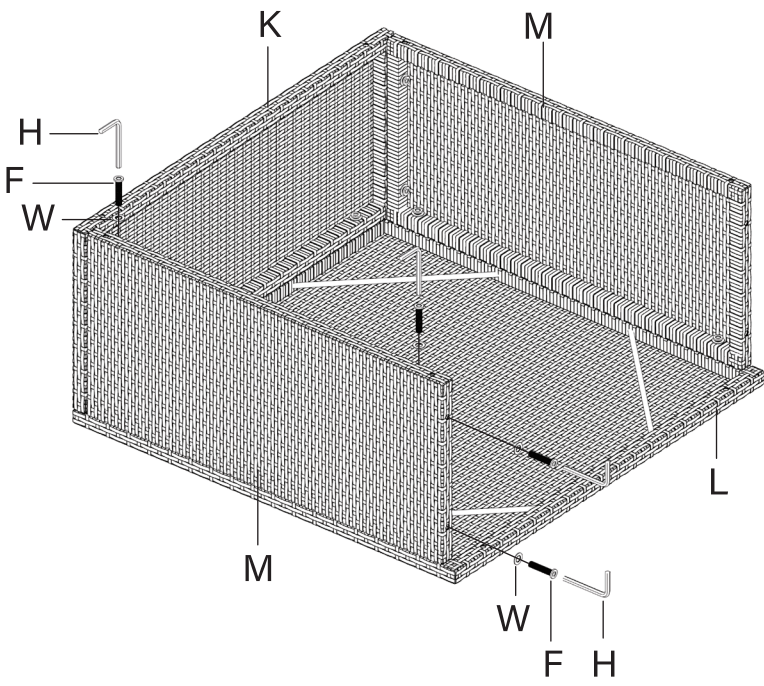
1



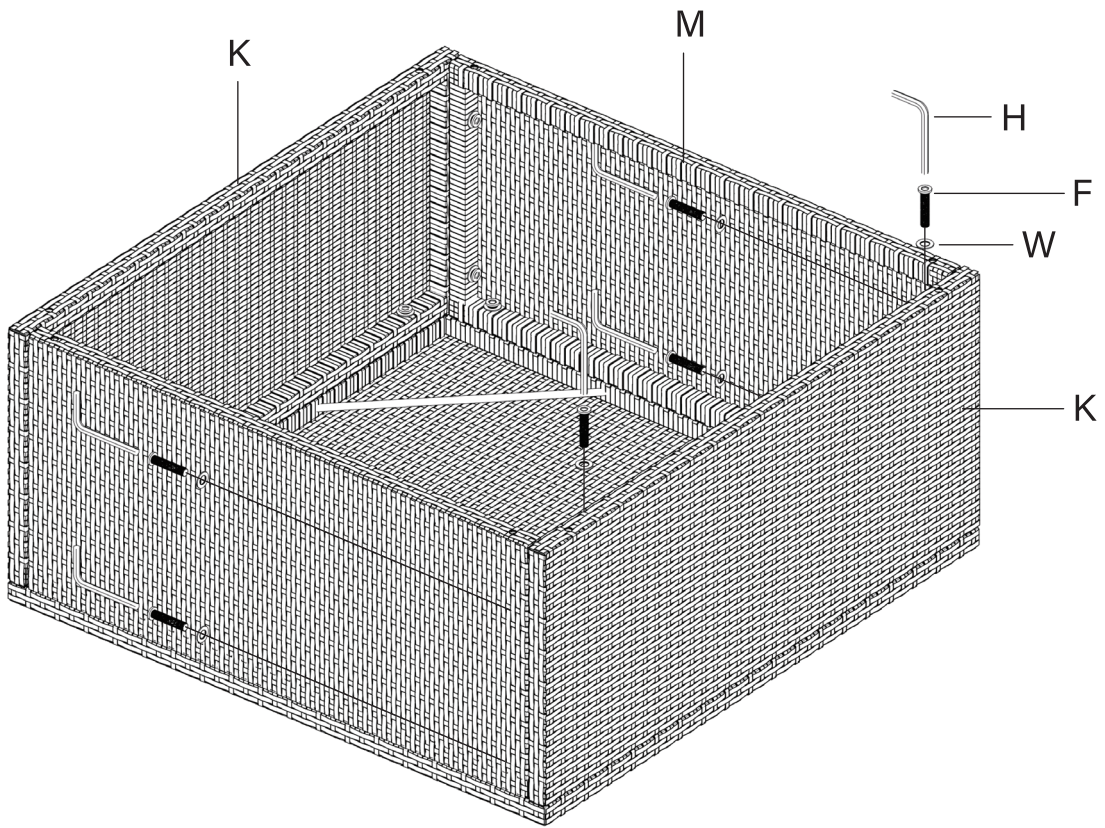
2



3



4



5

