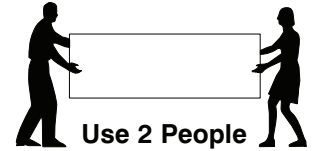
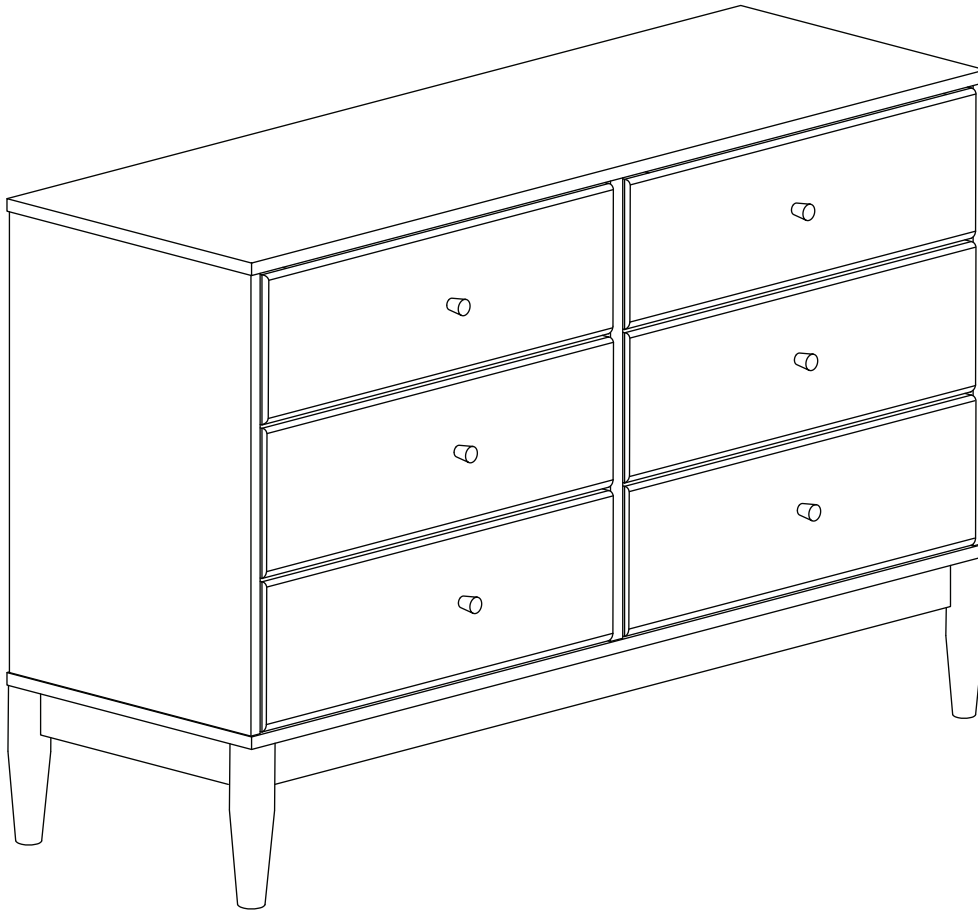


# 9009 6 Drawer Dresser

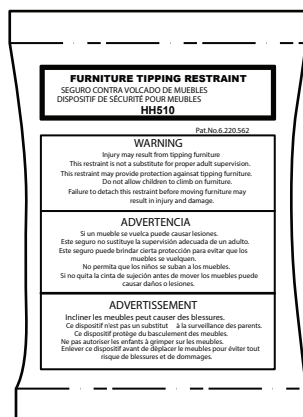
## Assembly Instructions

WI-0724



**Note:** Do not assemble using power tools. This can cause the bolts to be overtightened

### WARNING



Anti Tipping Kit  
Anti Tipping Kit x 1



Children have died from furniture tipover.

To reduce the risk of furniture tipover:

- ALWAYS install anti-tip device provided.
- NEVER put a TV on this product.
- NEVER allow children to stand, climb, or hang on any drawers, doors or shelves.
- NEVER open more than one drawer at a time.
- DO NOT defeat or remove the drawer interlock system; it is an important stability and safety system.
- Place heaviest items in the lowest drawer.

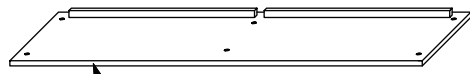
# 9009 6 Drawer Dresser

## Assembly Instructions

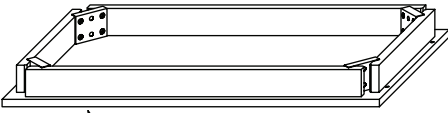
WI-0724

### 1 Parts List

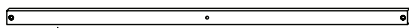
Parts in Box A:



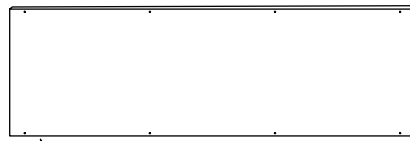
**A** Top Panel x 1



**B** Bottom Panel x 1



**C** Support Bar x 2



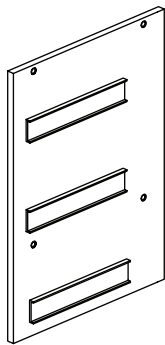
**D** Back Panel (Wider) x 1



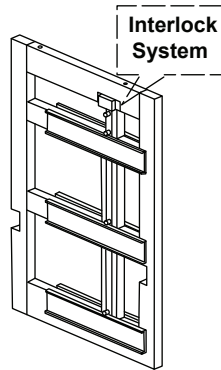
**E** Back Panel (Narrow) x 1



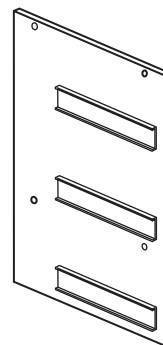
**F** Post x 4



**G** Side Panel (Left Hand) x 1



**H** Center Frame x 1



**J** Side Panel (Right Hand) x 1

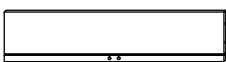
Parts in Box B:



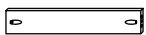
**K** Drawer Bottom x 6



**L** Drawer Face x 6

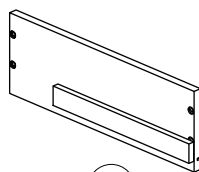


**M** Drawer Back x 6



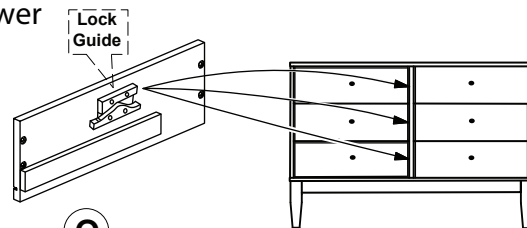
**N** Drawer Rail x 6

Parts for **LEFT** Side Drawer



**P**

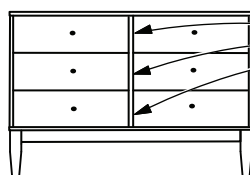
**LEFT** Drawer Side (Left Hand) x 3



**Q**

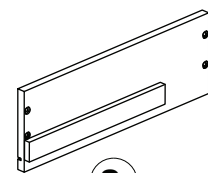
**LEFT** Drawer Side (Right Hand) x 3

Parts for **RIGHT** Side Drawer



**R**

**RIGHT** Drawer Side (Left Hand) x 3



**S**

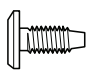

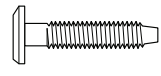
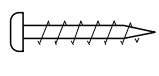
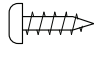
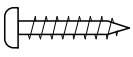
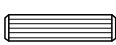
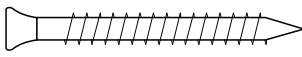
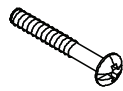

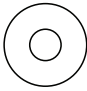
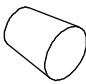
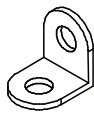

**RIGHT** Drawer Side (Right Hand) x 3

# 9009 6 Drawer Dresser

## Assembly Instructions

WI-0724

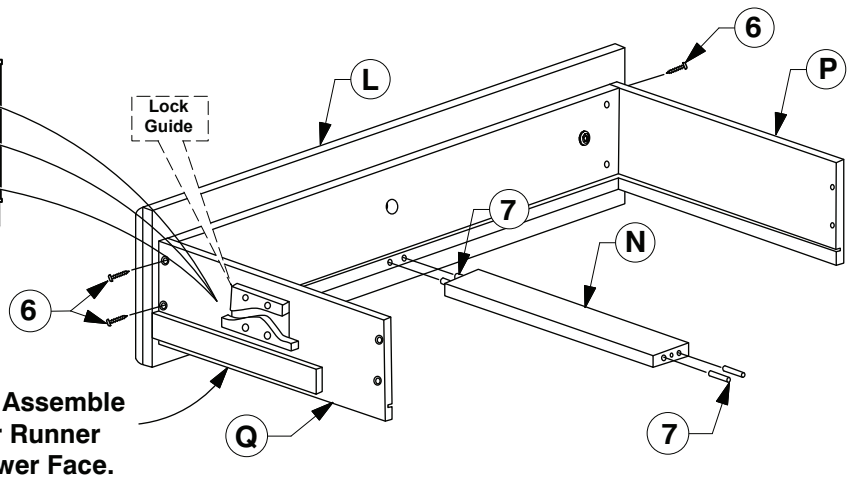
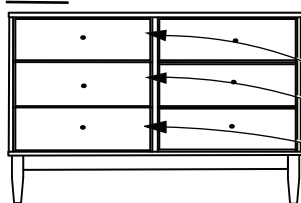
### 2 Hardware List

- |   |   |  |   |   |
|---|---|--|---|---|
|  |  |   |  |  |
| 1 M6 x 15mm JCB x 16  | 2 M6 x 60mm JCB x 10  | 3 M6 x 30mm JCB x 2  | 4 Wood Screw (M4 x 32mm) x 16   | 5 Wood Screw (M4 x 20mm) x 24   |
|  |  |  |  |  |
| 6 Wood Screw (M4 x 25mm) x 60   | 7 M6 x 25mm Wood Dowel x 24   | 8 CSK Cap Wood Screw (M6 x 60mm) x 6   | 9 M4 x 22mm Wood Screw x 6  | 10 Spring Washer x 8  |
|  |  |  |  |   |
| 11 Flat Washer x 8  | 12 Handle (1005) x 6  | 13 'L' Bracket (5005-3) x 8  | 14 Allen Key x 1  |   |

### 3 Assemble the Drawers.

#### STEP 3.1

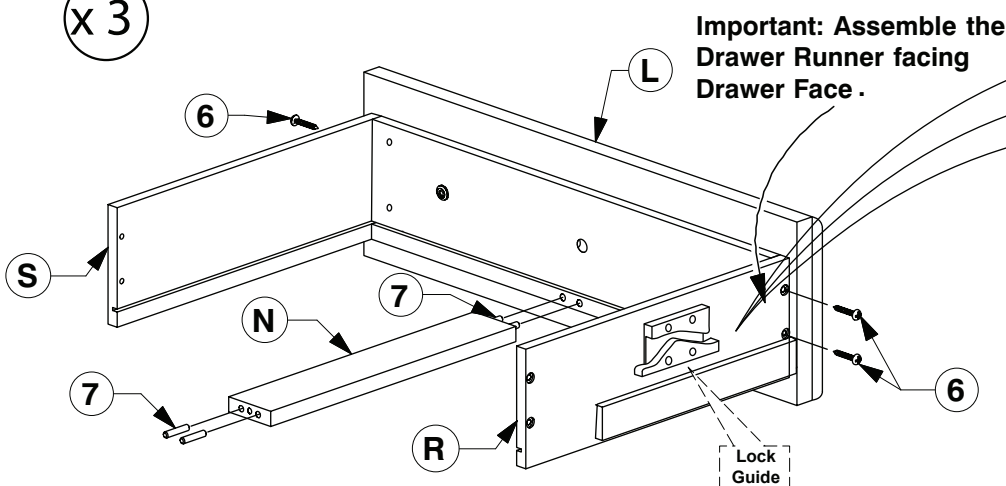
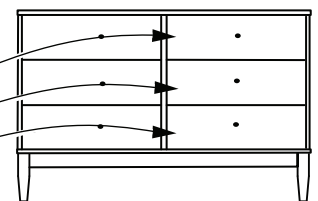
LEFT



Important: Assemble the Drawer Runner facing Drawer Face.

x 3

RIGHT



Important: Assemble the Drawer Runner facing Drawer Face.

# 9009 6 Drawer Dresser

## Assembly Instructions

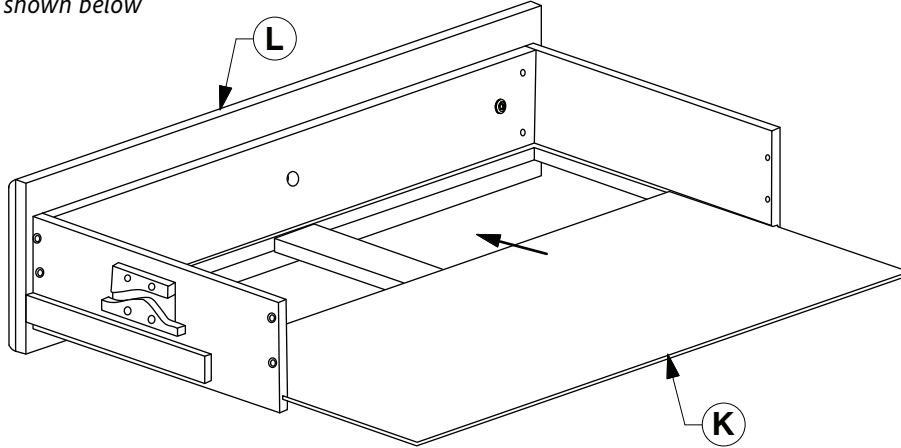
WI-0724

### 3 Assemble the Drawers.

#### STEP 3.2

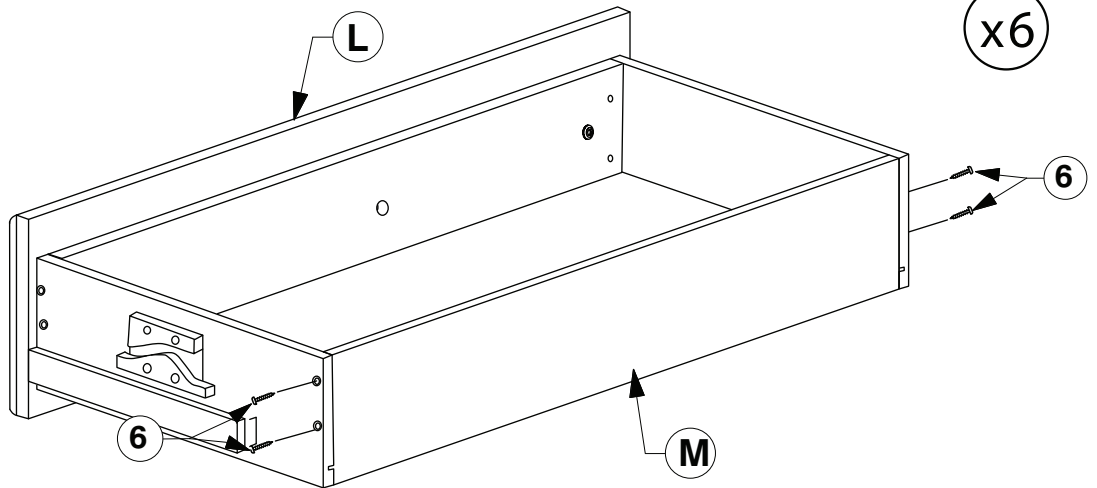
x6

\* 3 Assemble the left and right drawers as shown below



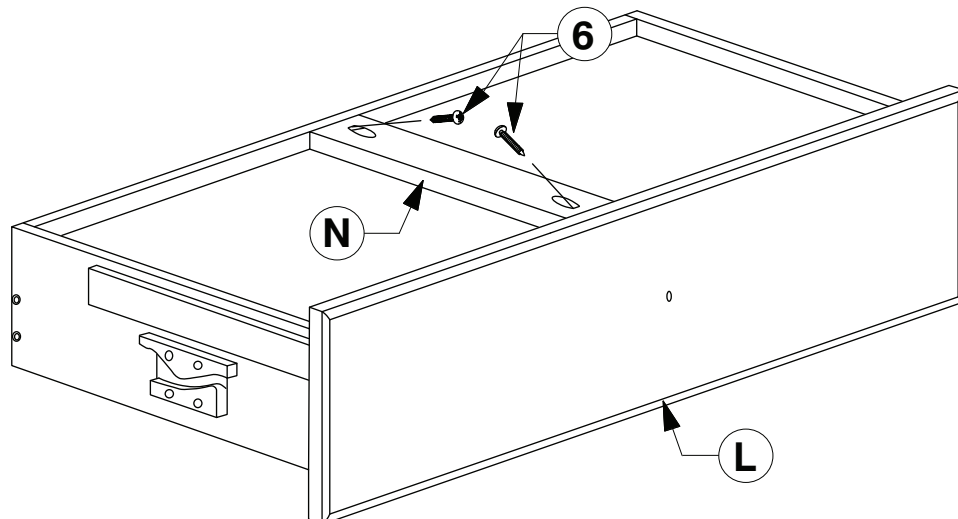
#### STEP 3.3

x6



#### STEP 3.4

x6

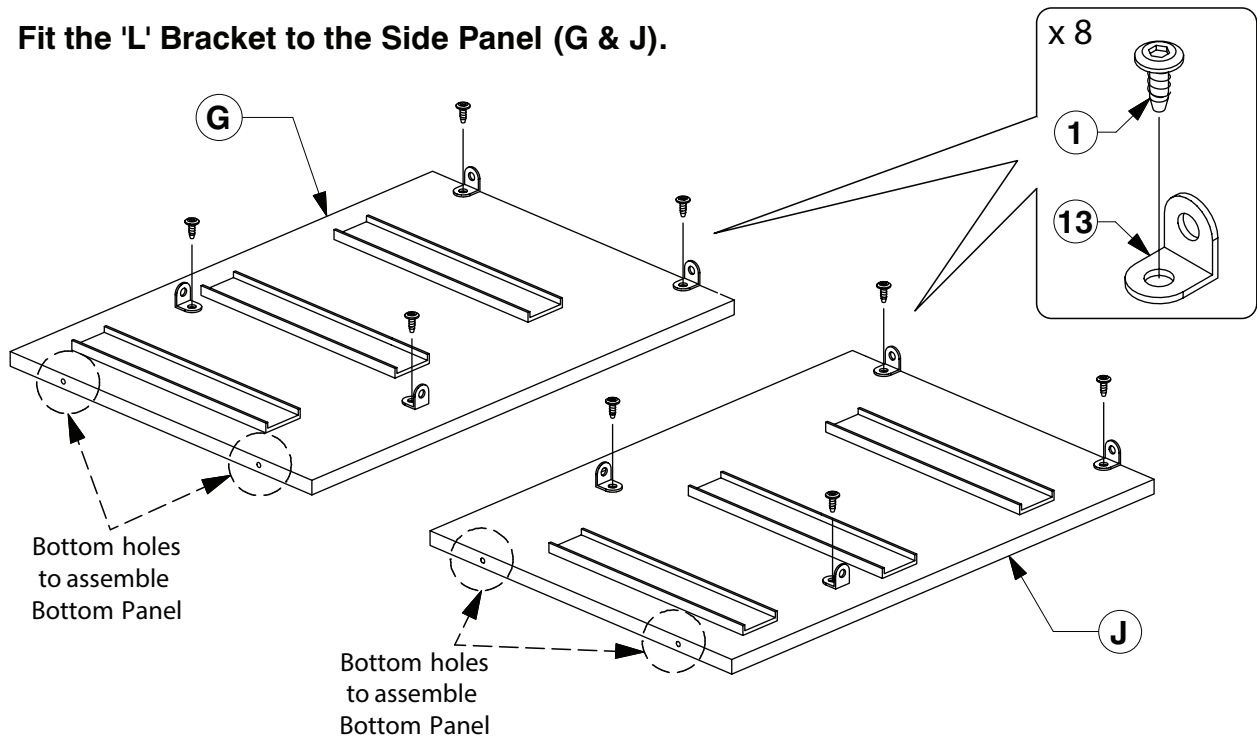


# 9009 6 Drawer Dresser

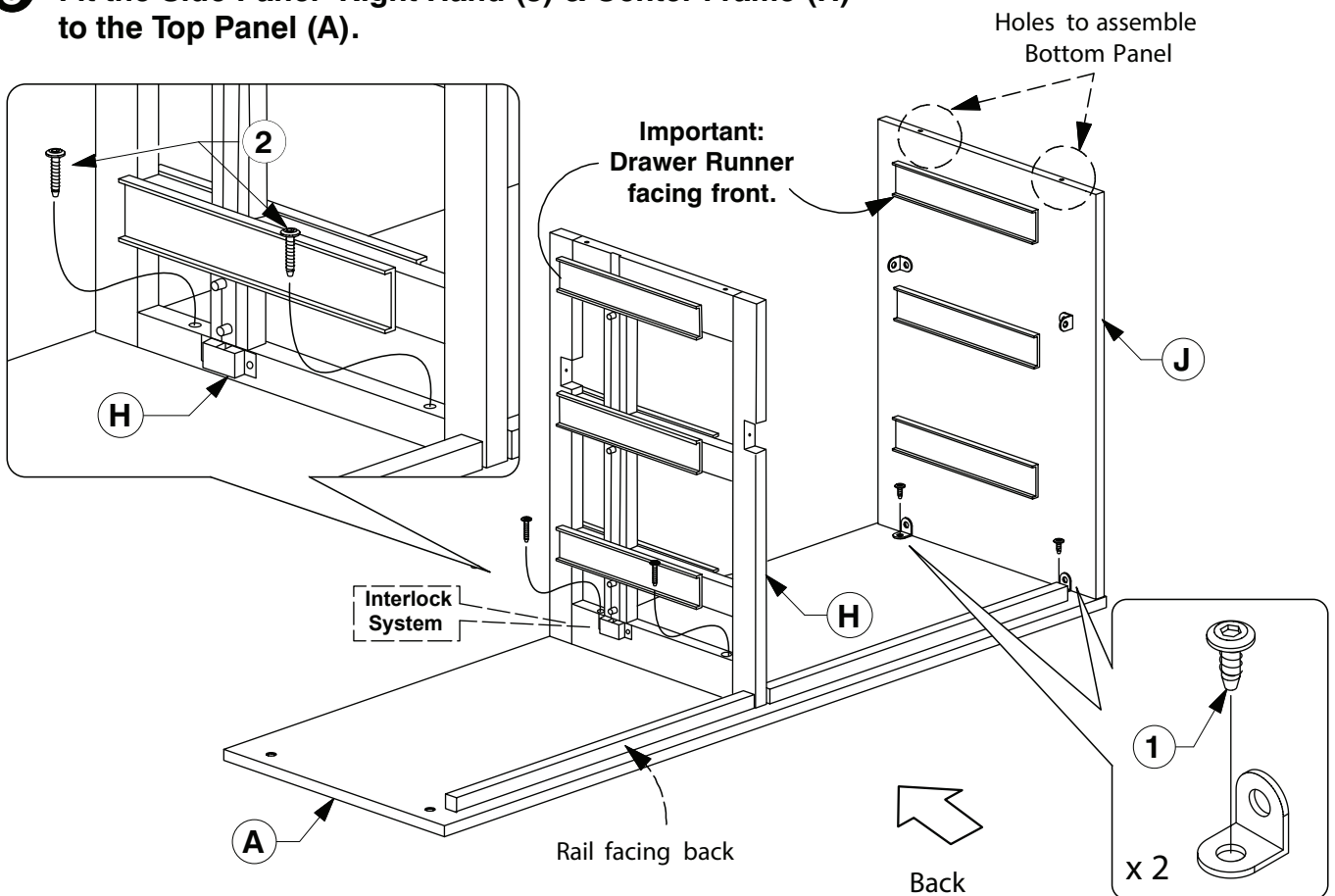
## Assembly Instructions

WI-0724

### 4 Fit the 'L' Bracket to the Side Panel (G & J).



### 5 Fit the Side Panel- Right Hand (J) & Center Frame (H) to the Top Panel (A).

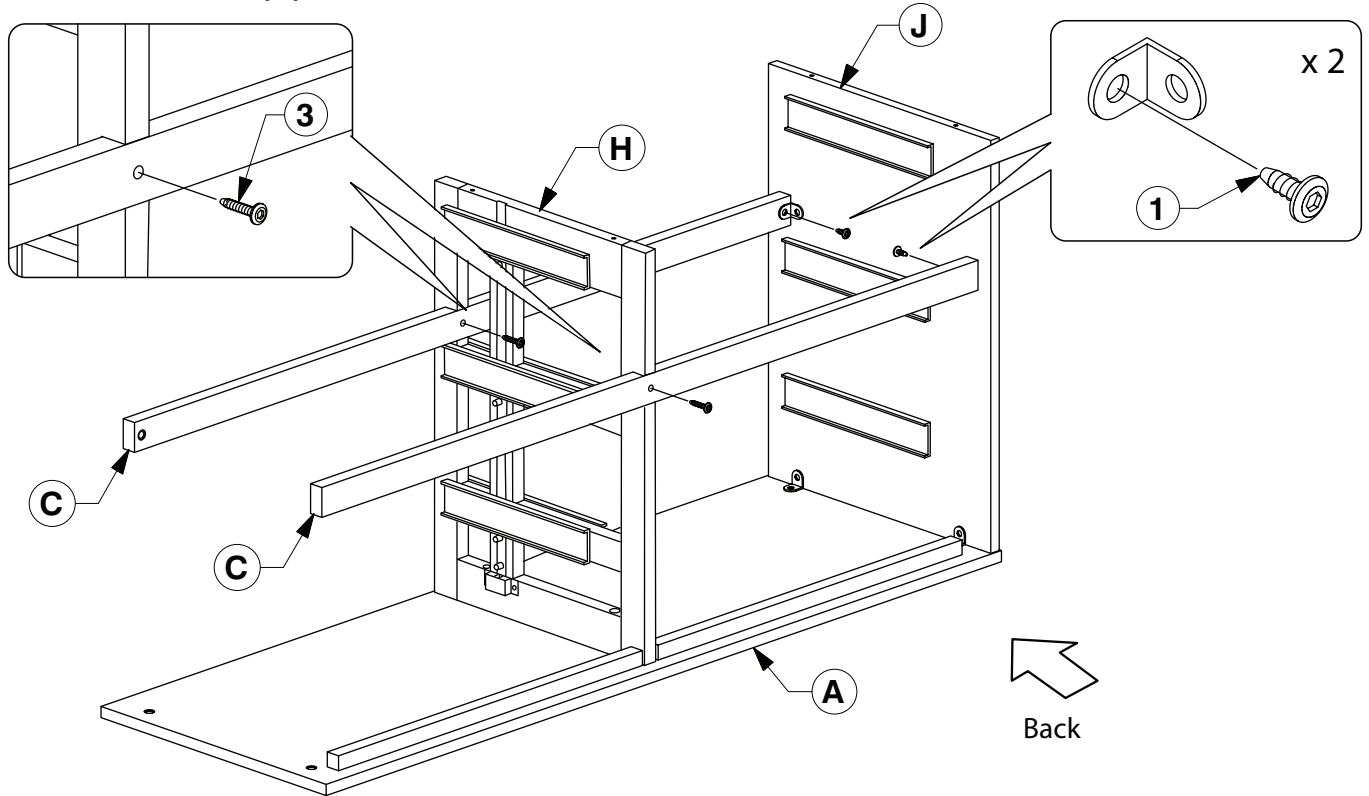


# 9009 6 Drawer Dresser

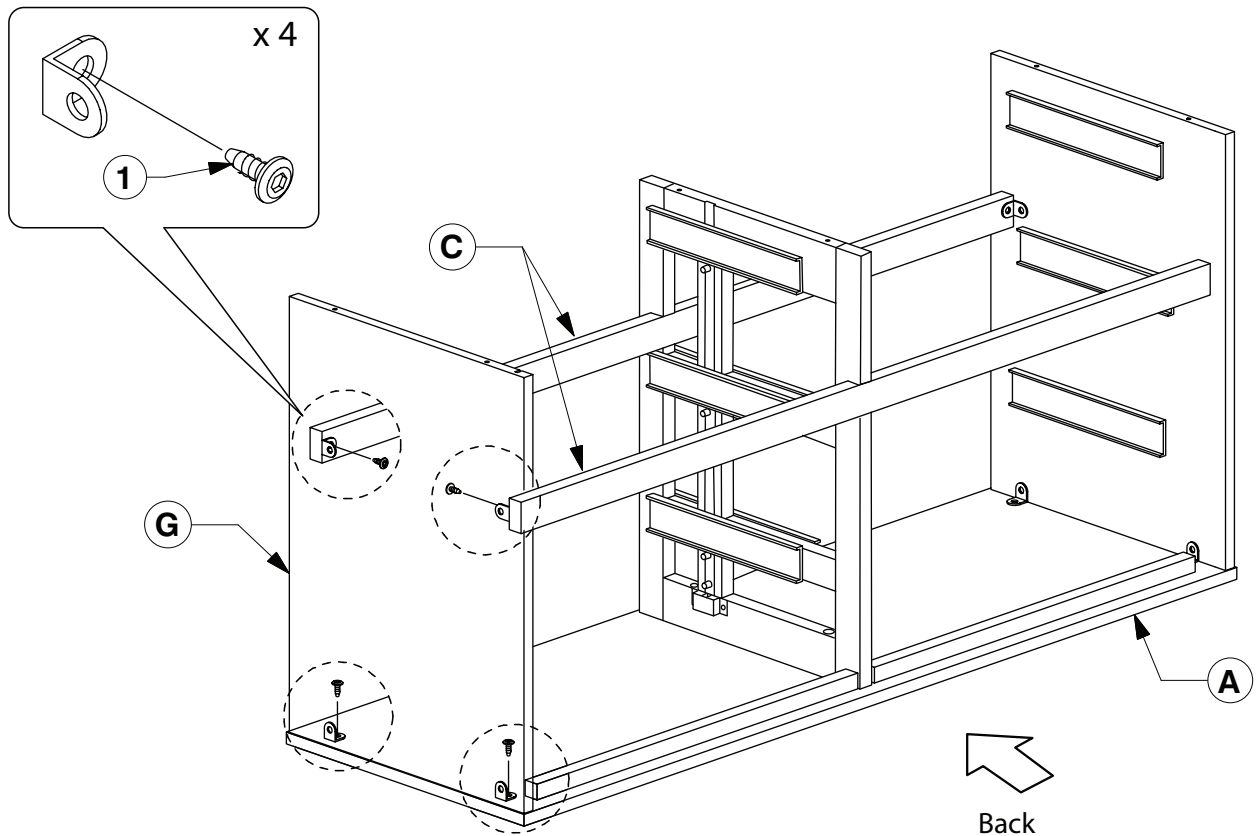
## Assembly Instructions

WI-0724

- 6** Fit the Support Bar (C) to the Side Panel- Right Hand (J) & Center Frame (H) as shown.



- 7** Fit the other side of Side Panel- Left Hand (G) to the Top Panel (A) & Support Bar (C).

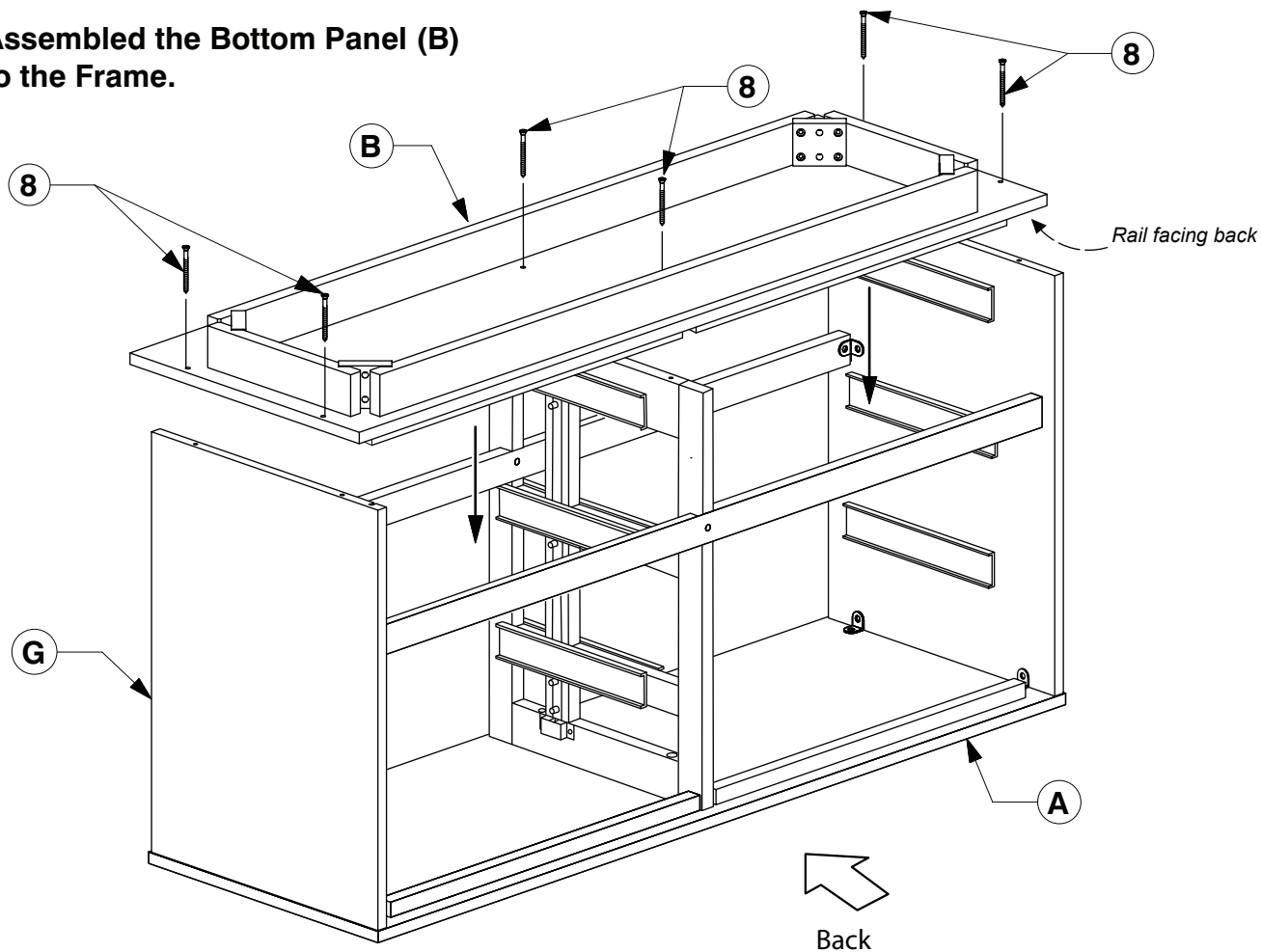


# 9009 6 Drawer Dresser

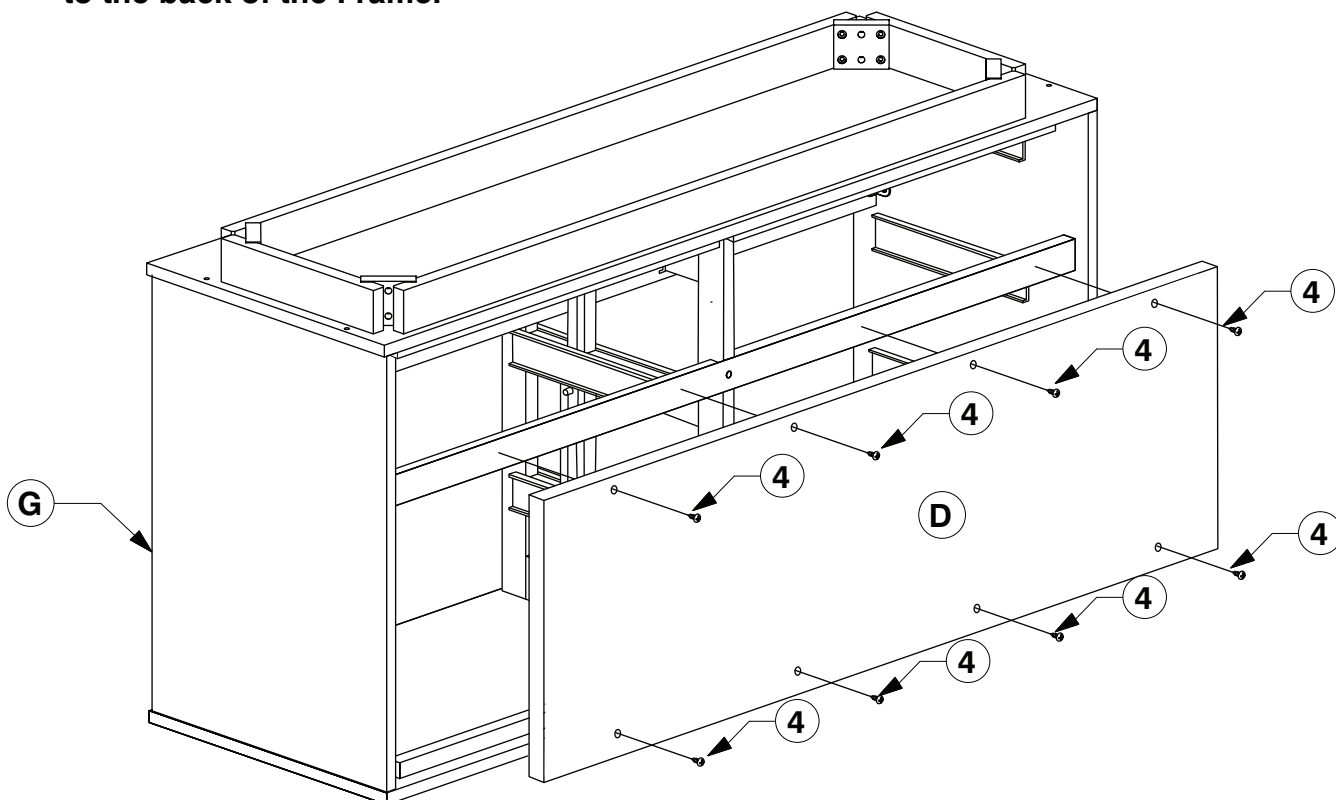
## Assembly Instructions

WI-0724

- 8** Assembled the Bottom Panel (B) to the Frame.



- 9** Attached the Back Panel- wider (D) to the back of the Frame.

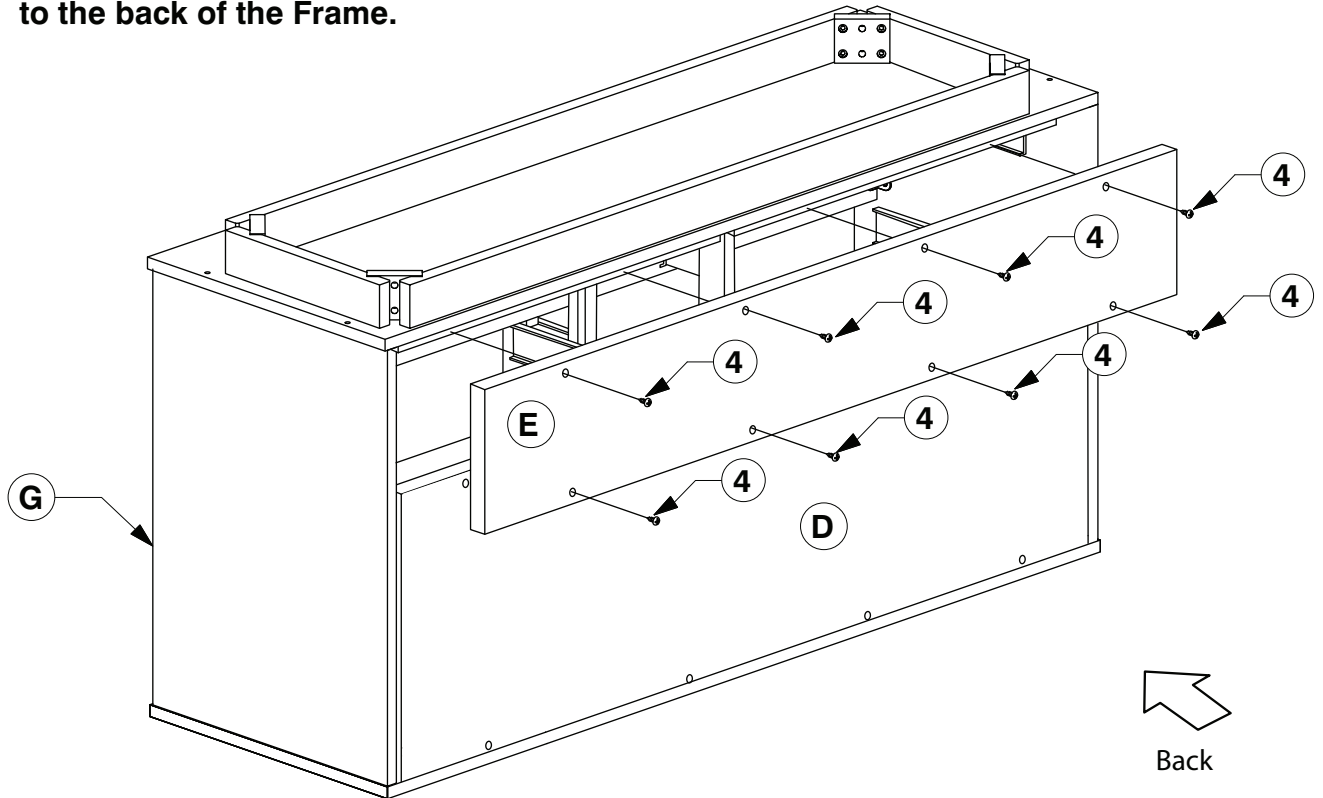


# 9009 6 Drawer Dresser

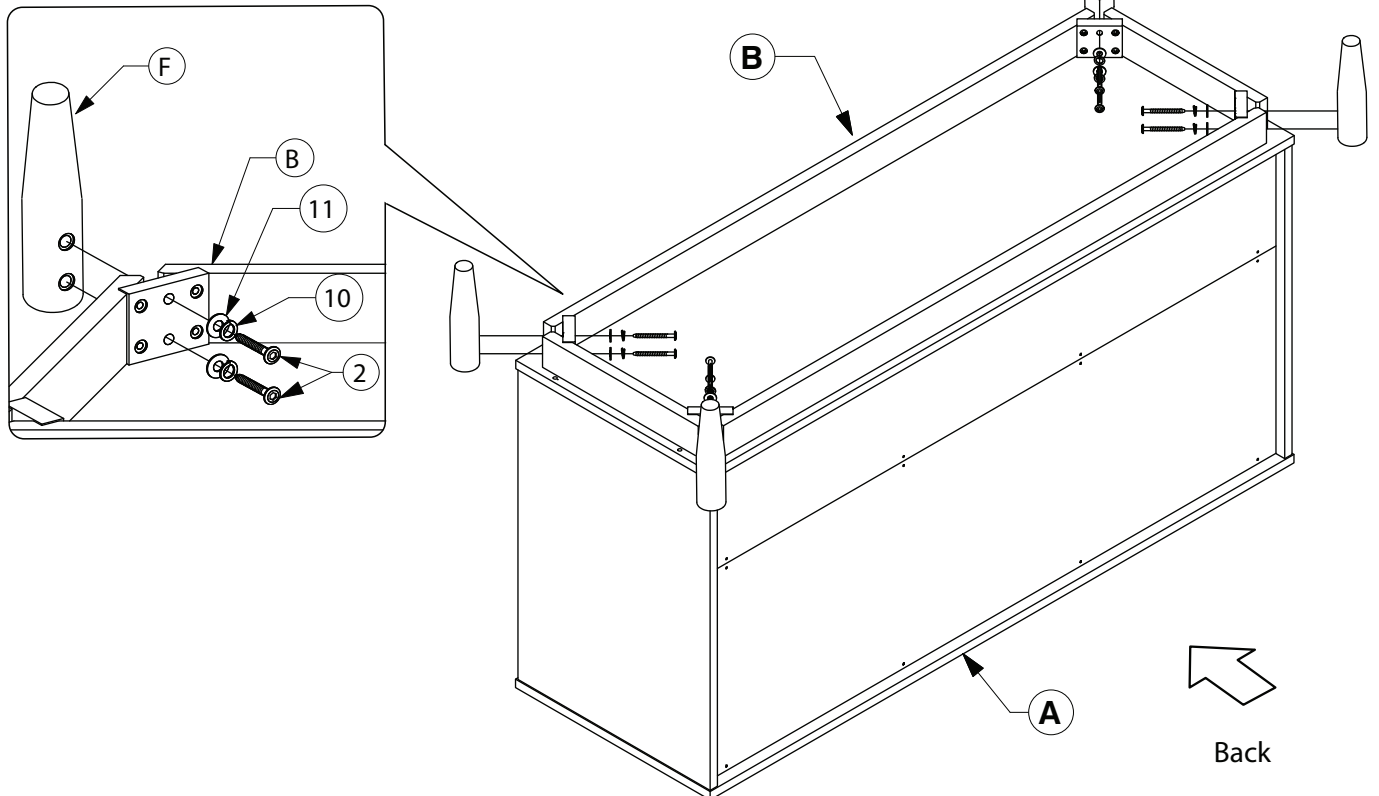
## Assembly Instructions

WI-0724

- 10** Attached the Back Panel- narrow (E) to the back of the Frame.



- 11** Fit the Post (F) to the Bottom Panel (B) as shown below.



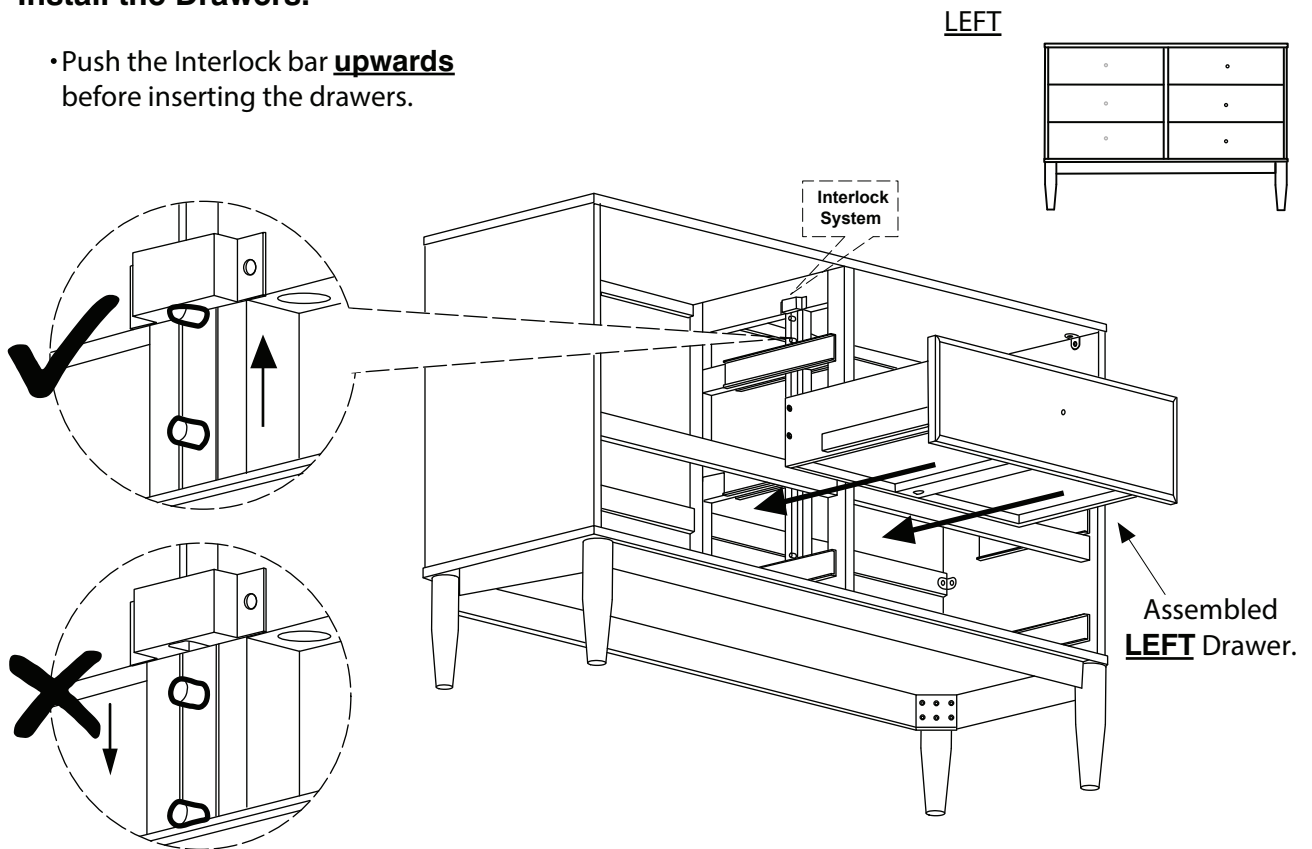
# 9009 6 Drawer Dresser

## Assembly Instructions

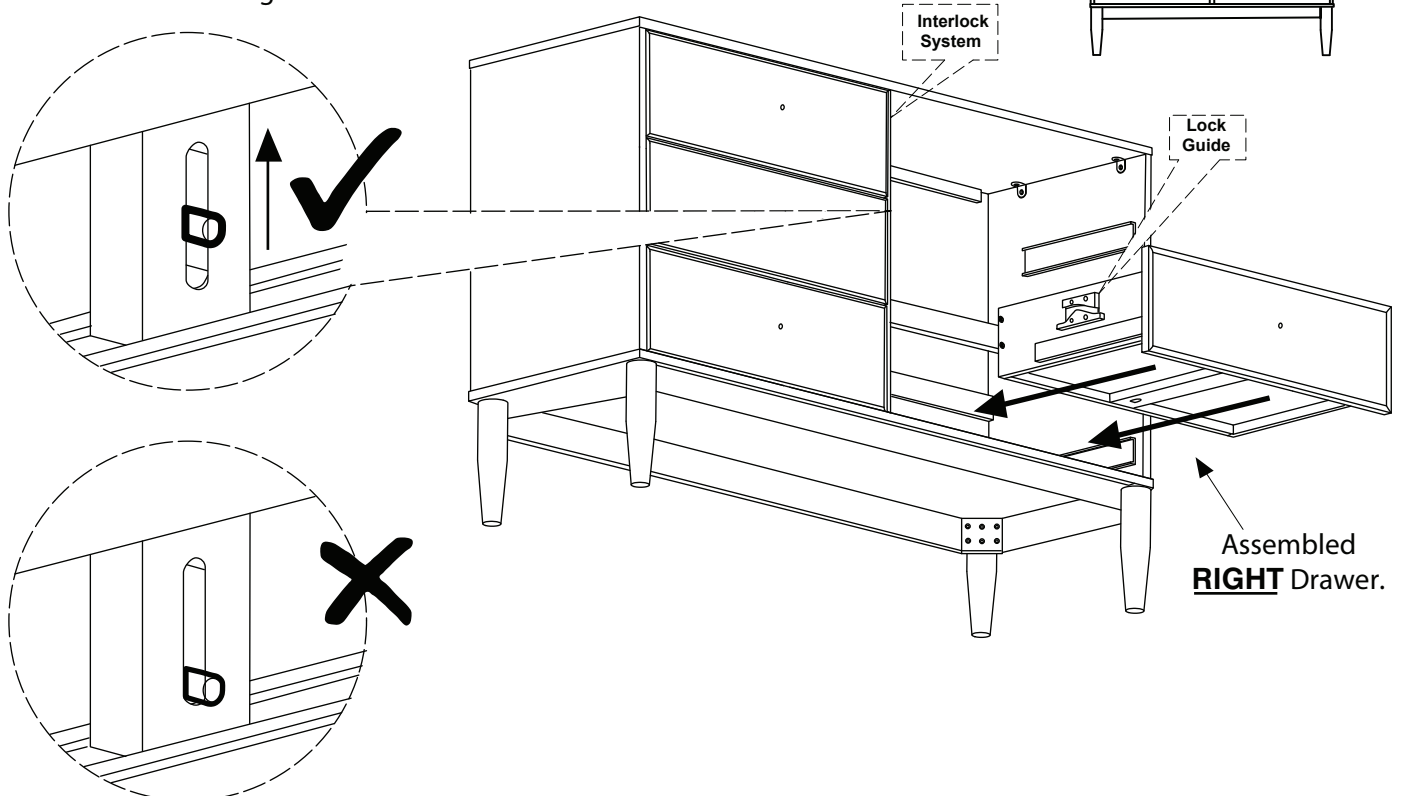
WI-0724

### 12 Install the Drawers.

- Push the Interlock bar **upwards** before inserting the drawers.



- Push the Interlock bar **upwards** before inserting the drawers.



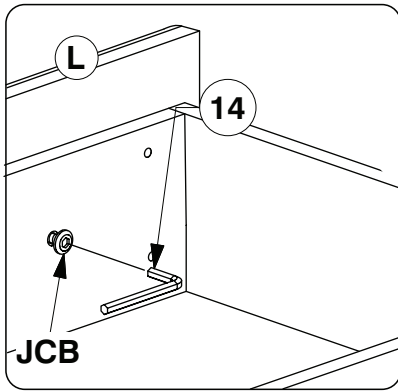
# 9009 6 Drawer Dresser

## Assembly Instructions

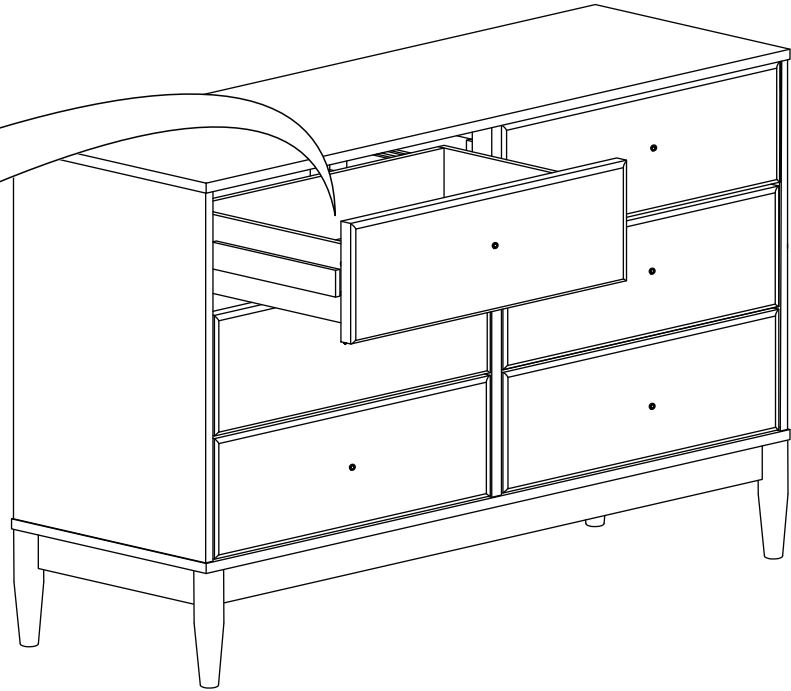
WI-0724

### 13 Adjust the Drawer Face (L).

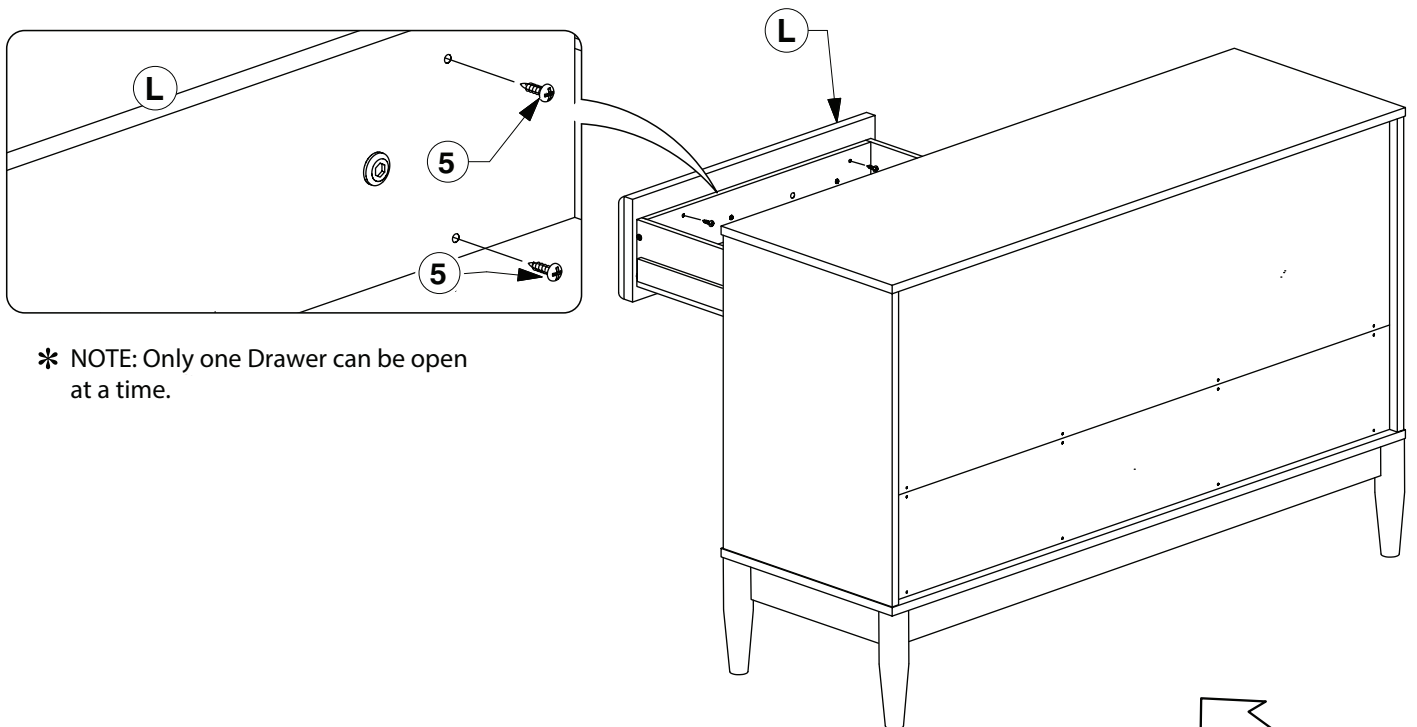
- \* NOTE: Before fitting the Wood Screws .  
Loosen the JCBs on the Drawer Face if  
the face needs alignment .



- \* NOTE: Only one Drawer can be open  
at a time.



### 14 After the Drawer Faces (L) are aligned, secure with wood screws.



- \* NOTE: Only one Drawer can be open  
at a time.



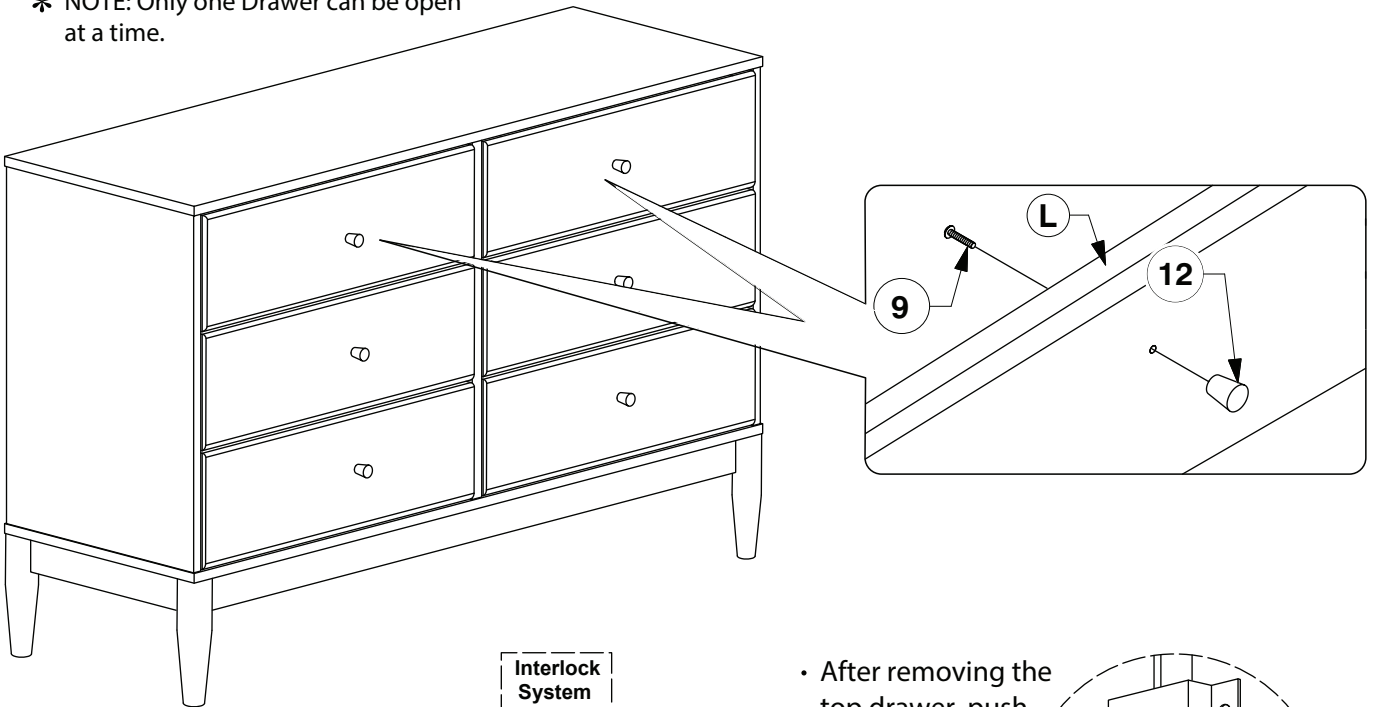
# 9009 6 Drawer Dresser

## Assembly Instructions

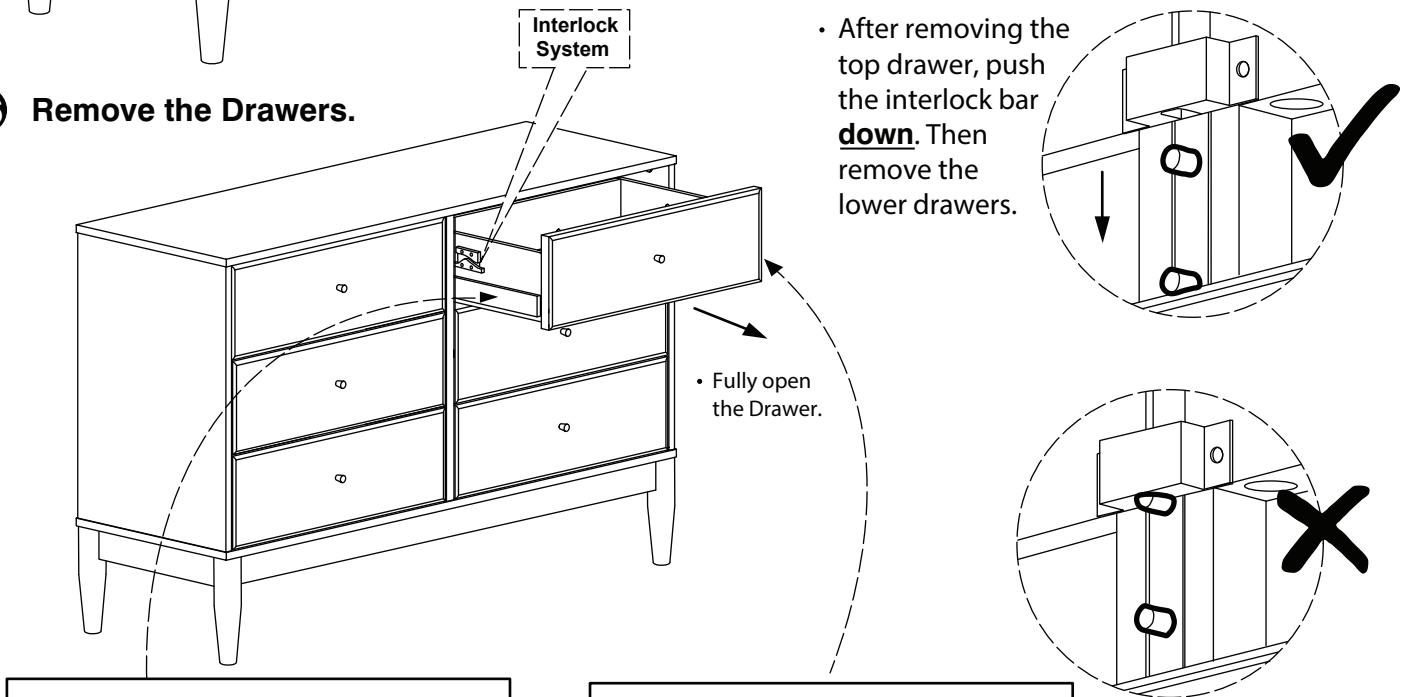
WI-0724

### 15 Finally, fit the Handle to the Drawer Face (L).

\* NOTE: Only one Drawer can be open at a time.

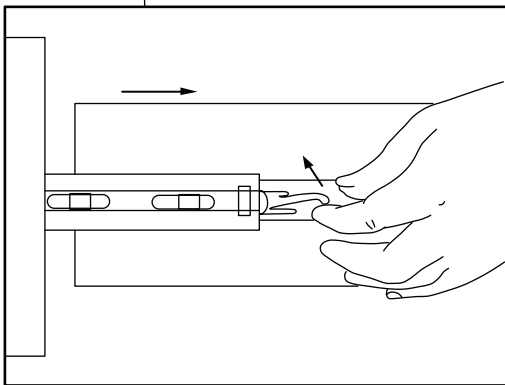


### 16 Remove the Drawers.

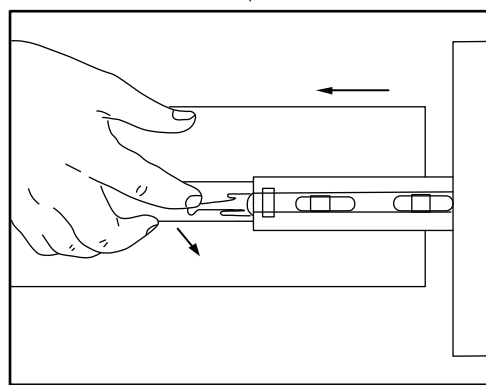


• After removing the top drawer, push the interlock bar **down**. Then remove the lower drawers.

• Fully open the Drawer.



• Lift the **LEFT** side clip up.



• Push the **RIGHT** side clip down.