

**INSTALLATION GUIDE****5 HOLES ROMAN TUB FAUCET**

MODEL	FINISH
S2043W-CH	CHROME
S2043W-BN	BRUSHED NICEKL
S2043W-MB	Matte Black
S2043W-BG	Brushed Gold
S2043W-MG	Matte Black And Gold

**HOT LINE: +1-866-203-0866**

## THANK YOU

Dear Valued Customer,

Thank you for choosing SUMERAIN products. We would like to take this opportunity to express our sincere gratitude for your recent purchase. We hope you are completely satisfied with your new product. Rest assured, we meticulously engineer all SUMERAIN products and put them through rigorous factory tests to ensure their prolonged, trouble-free use under normal conditions.

Installing this product is as simple as it gets. All you need are some basic tools and our handy step-by-step illustrated guide. We wholeheartedly welcome any questions or feedback you may have. We eagerly anticipate the opportunity to assist you in the future. If you have any inquiries regarding this product, please do not hesitate to contact us at +1-866-203-0866 or email us at [supports@sumerain.com](mailto:supports@sumerain.com).

Once again, we extend our gratitude for selecting SUMERAIN products. We remain committed to providing exceptional customer service.

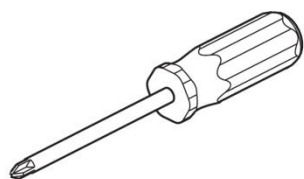
Sincerely,

SUMERAIN Customer Service Department

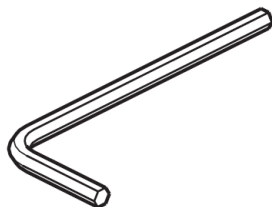
## BEFORE PROCEEDING

1. Unpack your new product and verify that all components are present in the package. Until you're ready to install, it's best to keep the product in its original box.
2. Identify the water supply inlets and turn off the water supply valves. You'll typically find these valves near the water meter. If you're replacing an existing unit, make sure to remove the old one and clean the mounting surface thoroughly.
3. Adhere to all plumbing and building codes applicable in your area.
4. If you're not confident about installing the product yourself, we strongly recommend seeking help from a professional.

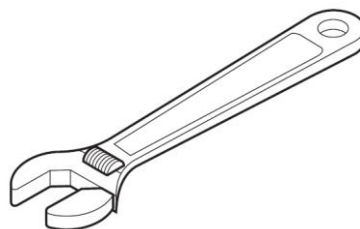
## TOOLS RECOMMENDED



Philips screwdriver



Allen wrench



Adjustable wrench



Channel locks



Teflon tape

## LIMITED LIFETIME CONSUMER WARRANTY

VERSION: 140320.15.3

This product has been manufactured and tested to the highest quality standards by HONGKONG SUMERAIN SANITARY INDUSTRY Co., Limited ("SUMERAIN"). This warranty applies solely to SUMERAIN products purchased by consumers in the United States after January 1st, 2020. In the event of a faucet experiencing leaks or drips during regular usage, SUMERAIN will provide the necessary faucet cartridge to the purchaser, free of charge, in order to restore the faucet to proper working condition. If any defects are identified during normal residential use, SUMERAIN will, at its discretion, perform repairs, provide replacement parts or products, or make appropriate adjustments to ensure the product's optimal functionality.

### WHO IS COVERED BY THE WARRANTY

This warranty provides exclusive coverage to the original consumer purchaser, including those who have made purchases through online retail platforms. However, online retail customers who are specifically covered by the "Online CONSUMER Limited Lifetime WARRANTY & Return policy" are also included. Please note that this warranty is non-transferable and cannot be assigned to any other party.

### WHAT IS COVERED BY THE WARRANTY

This warranty is applicable only to the SUMERAIN manufactured product that you have purchased. SUMERAIN provides the following warranty against defects in material or workmanship: under normal installation, use, service, and maintenance, if the product or any of its components prove to be defective due to improper workmanship or materials, SUMERAIN will, at its discretion, provide free replacement parts or replace the entire product.

### FINISH WARRANTY

Customers are responsible for thoroughly inspecting the product for any material or finish defects within three days of receiving it. Please note that SUMERAIN does not cover surface finish defects under warranty once the fixture has been installed.

### ELECTRONIC FAUCETS WARRANTY

SUMERAIN guarantees its LED components, including electronic faucets, valves, controllers, and battery-powered devices, against material and manufacturing defects for one year from the date of purchase, under normal use. The water flow impeller power device (LED faucet power generation device) is guaranteed to be free from manufacturing defects for the first three months from the date of purchase.

### LENGTH OF WARRANTY

As stated in the following, any replacement or repaired parts of the product will be covered for the duration of this warranty, which SUMERAIN provides for a period of 1 year from the original date of purchase.

### CIRCUMSTANCES THAT SUMERAIN WILL NOT WARRANT AND PAY FOR:

- A. Conditions, malfunctions, or damage that do not result from defects in material or workmanship.
- B. Conditions, malfunctions, or damage resulting from normal wear and tear, improper installation, improper maintenance, misuse, abuse, negligence, accidents, alterations, or the use of abrasive or caustic cleaning agents, "no-rinse" cleaning products, or the product in a manner contrary to the provided instructions. This includes home conditions such as excessive water pressure or corrosion.
- C. Labor or other expenses associated with disconnection, deinstallation, or return of the product for warranty service, as well as installation or reinstallation of the product.
- D. Accessories, connected materials, and products (including but not limited to hand shower flexible hose, spray flexible hose, hand shower, shower head), or related products that are not manufactured by SUMERAIN.

### TO OBTAIN WARRANTY PARTS OR INFORMATION

To obtain warranty parts or information professionally, please follow the steps below:

Contact your SUMERAIN retailer or dial the technical service phone number at +1-866-203-0866, or send an email to [supports@sumerain.com](mailto:supports@sumerain.com).

When applying for warranty service, you will need to provide the following information:

- a. Sales receipt or other evidence of purchase date and platform.
- b. Detailed description of the problem.
- c. Ship the product or defective parts to the designated Sumerain warehouse in the United States with prepaid postage. Please ensure careful packaging and insurance of the items. Once the warranty service is completed, any repaired or replaced products or parts will be shipped back to you with prepaid postage. If you have any further questions or need additional assistance, please contact the provided contact information.

### EXCLUSIONS & LIMITATIONS

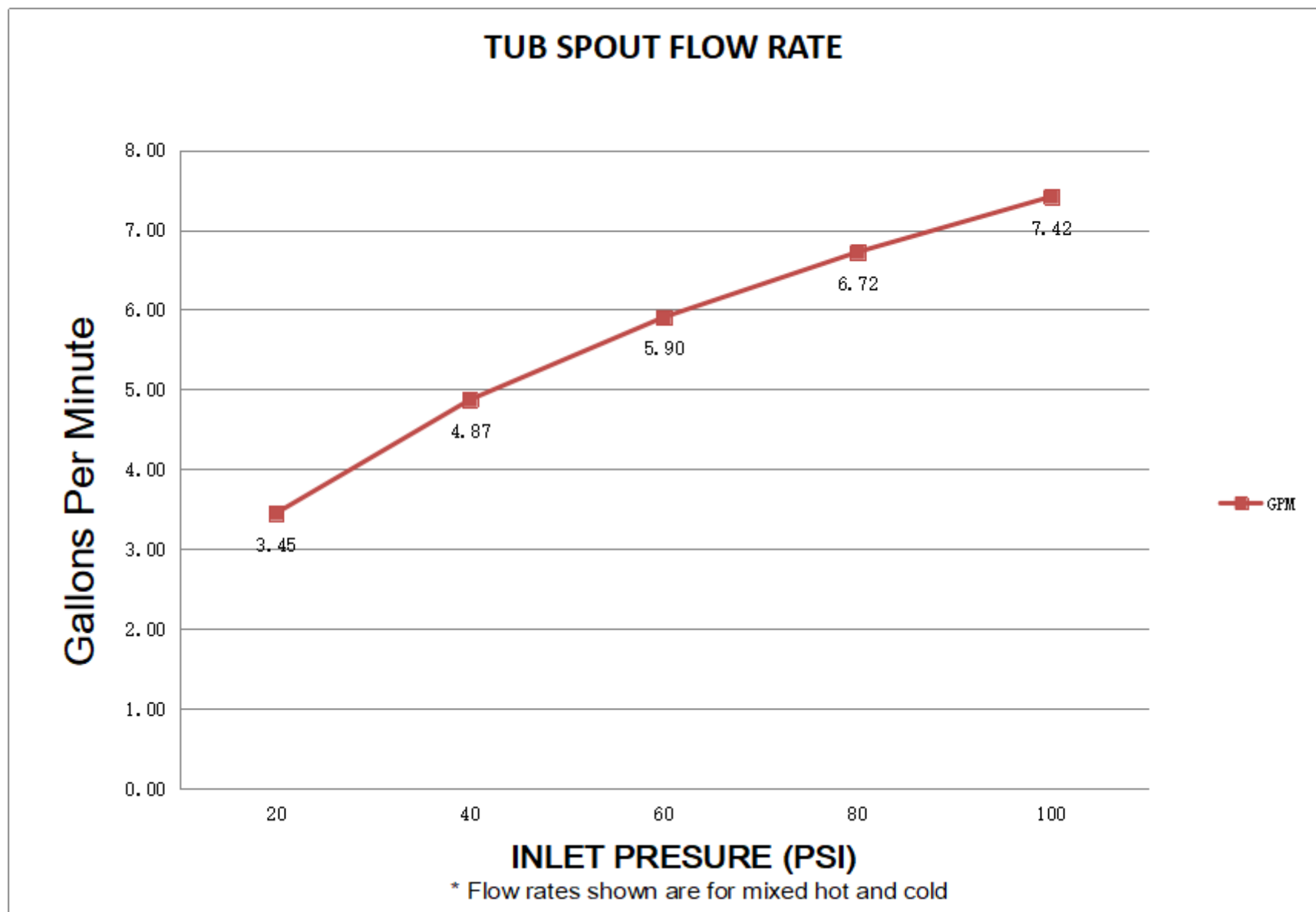
Pursuant to the terms of this warranty, repair, replacement (or, in limited circumstances, refund of the purchase price) shall be the sole remedy available to the purchaser. SUMERAIN assumes no obligations or liabilities and does not authorize any individual to create obligations or liabilities in relation to this product. SUMERAIN shall not be held liable to the purchaser or any party for any incidental, special, or consequential damages resulting from a breach of this warranty or any implied warranties (including merchantability). Please note that certain states do not allow the exclusion or limitation of incidental or consequential damages, therefore the aforementioned limitation or exclusion may not apply to you. This warranty grants you specific legal rights, and you may also have additional rights that vary from state to state. Before initiating any legal proceedings against us under the Magnuson-Moss Warranty Act, you may be legally required to provide us with a reasonable opportunity to rectify or resolve any non-compliance.

### PRODUCT INSTRUCTIONS & QUESTIONS

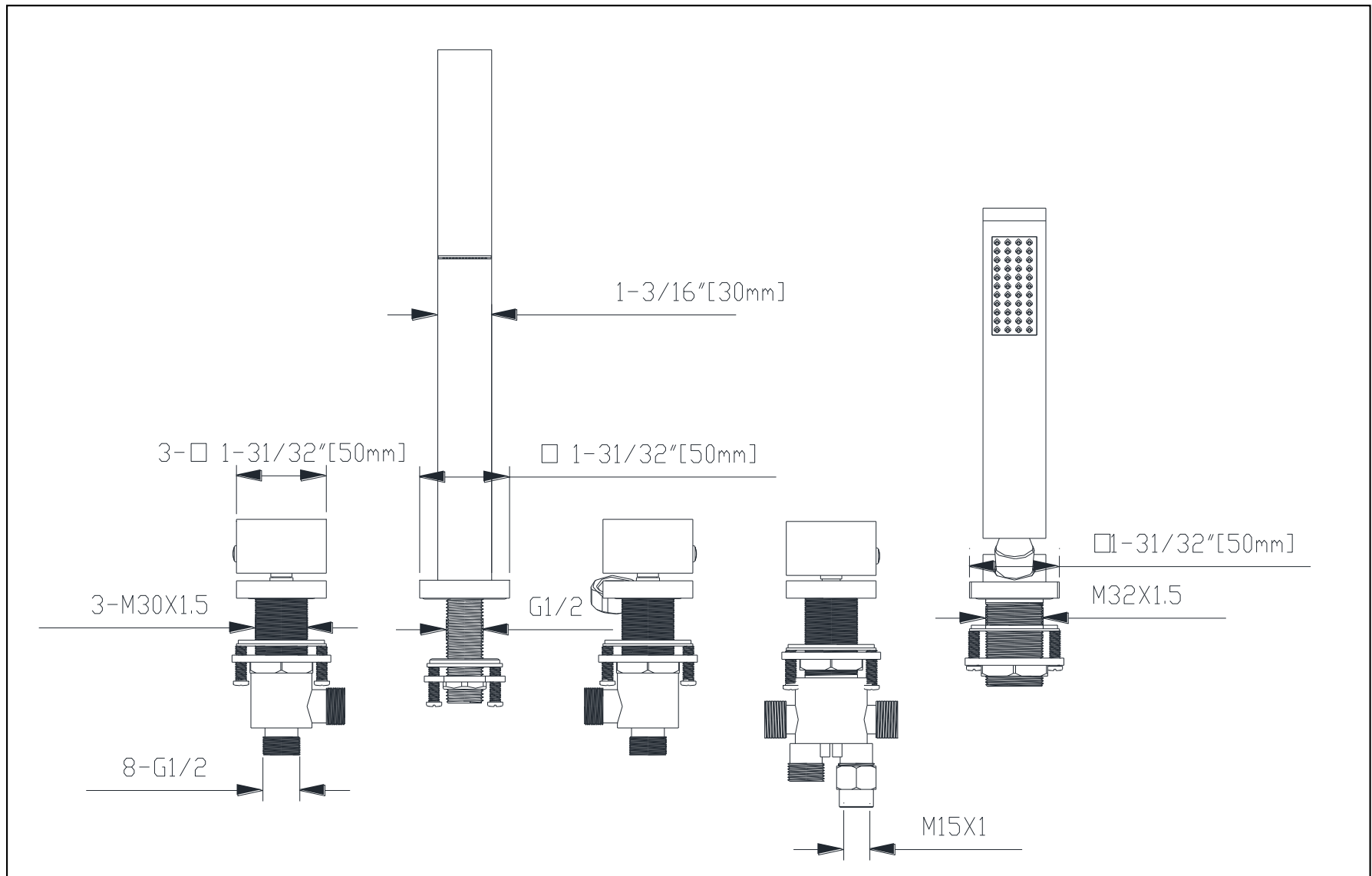
Prior to installation, we strongly recommend conducting a meticulous inspection of your SUMERAIN product to identify any potential damage or visible defects. It is crucial to thoroughly review the accompanying instructions regarding the correct installation, maintenance, and care procedures for the product. Should you have any inquiries regarding the utilization, installation, performance, or this warranty of your SUMERAIN product, please don't hesitate to reach out to us at +1-866-2030-866 or via email at [supports@sumerain.com](mailto:supports@sumerain.com). Our dedicated team is readily available to provide professional assistance and address any concerns you may have.

## FUNCTIONS AND SPECIFICATION

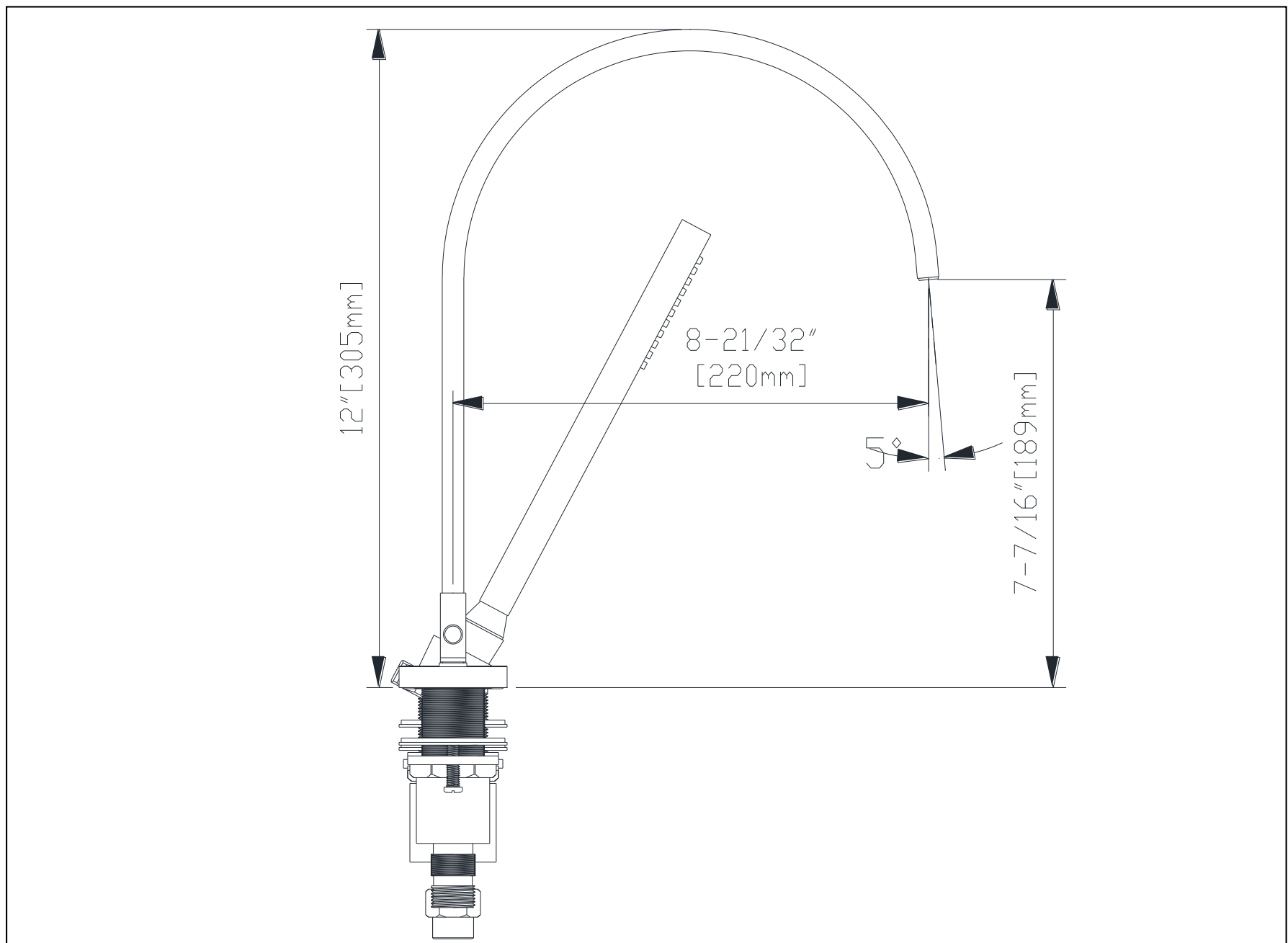
<b>Function</b>	Bathtub Faucets
<b>Feature</b>	Waterfall
<b>Style</b>	Contemporary
<b>Finish</b>	Chrome/Brushed Nickel/Matte Black/Brushed Gold
<b>Installation Holes</b>	Five Holes
<b>Number Of Handles</b>	Three Knobs
<b>Spout Total Height</b>	12"[305mm]
<b>Spout Reach</b>	8-21/32"[220mm]
<b>Spout Width</b>	1-3/16"[30mm]
<b>Spout Height</b>	7-7/16"[189mm]
<b>Hand Shower Height</b>	7-7/8"[200mm]
<b>Valve Type</b>	Ceramic Disc Valve
<b>Valve Body Material</b>	Brass
<b>Spout Material</b>	Stainless Steel
<b>Hand Shower Material</b>	Brass
<b>Spout Net Weight</b>	1.15lbs [0.52KG]
<b>Net Weight</b>	6.55lbs[2.97KG]
<b>Gross Weight</b>	7.58 lbs[3.44KG]
<b>Working water press</b>	29~116PSI[0.2 ~0.8 MPa]
<b>Spout Flow Rate</b>	5.9GPM[22.3L/M]@60PSI
<b>Packing box size</b>	17-29/32"[455mm]×11-5/8"[295mm]×2-15/16"[75mm]



## DIMENSION



Front view of faucet



Side view of faucet

## INSTALLATION STEPS

### 1. BEFORE PROCEEDING



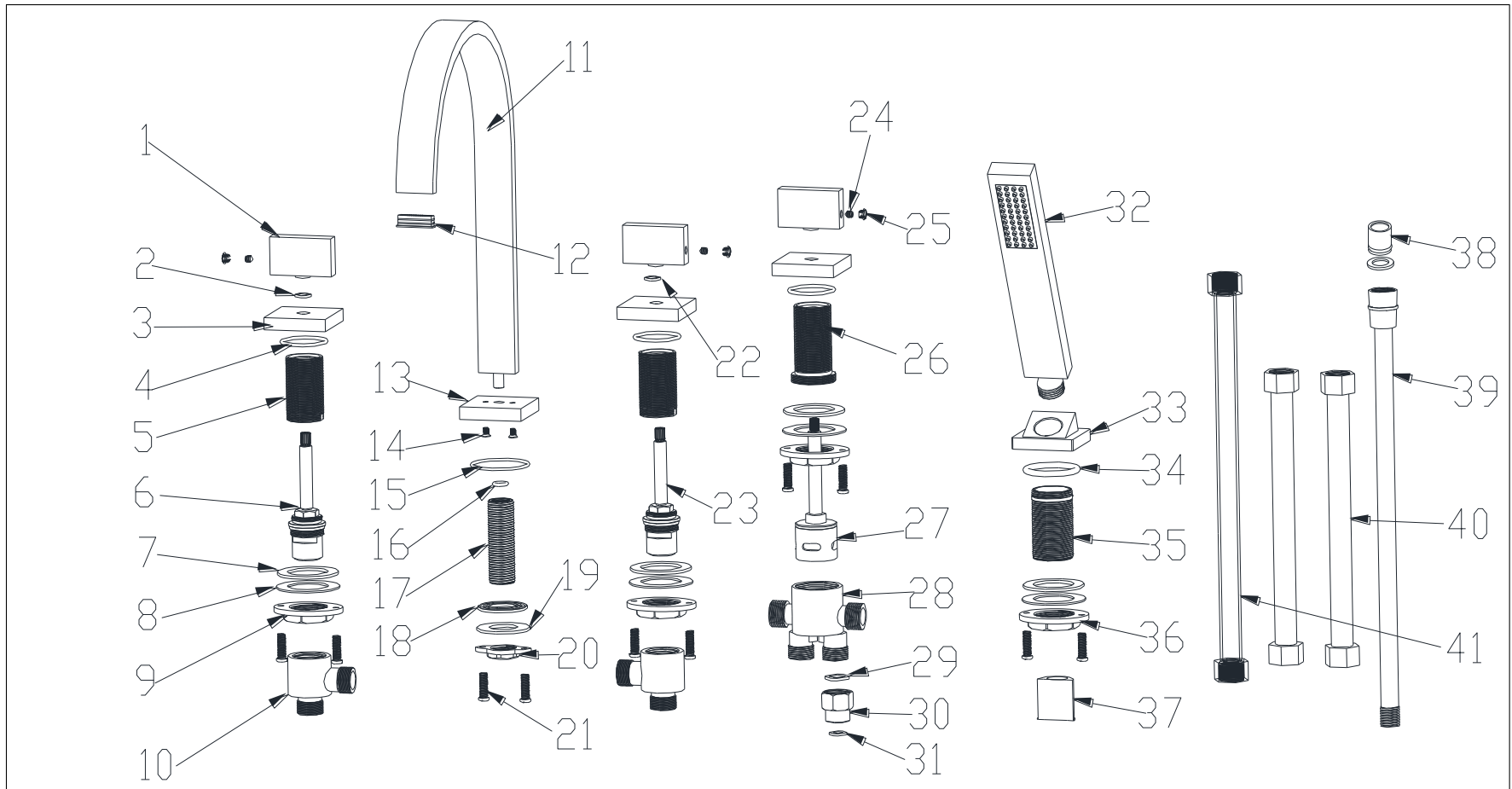
**WARNING:** Before proceeding with any operation, please read all instructions thoroughly. If you are uncertain about installing this product, please consult a professional! This product should be installed in accordance with all local and state plumbing and building codes. It is recommended to seek professional assistance.

### 2. SHUT OFF WATER SUPPLY

Locate the water supply inlets and shut off the corresponding water supply valves, typically found near the water meter. If replacing an existing unit, remove the old unit and thoroughly clean the mounting surface.

### 3. CHECKING THE CONTENTS OF THE BOX

Upon opening the box, check to ensure that all the following items are included.

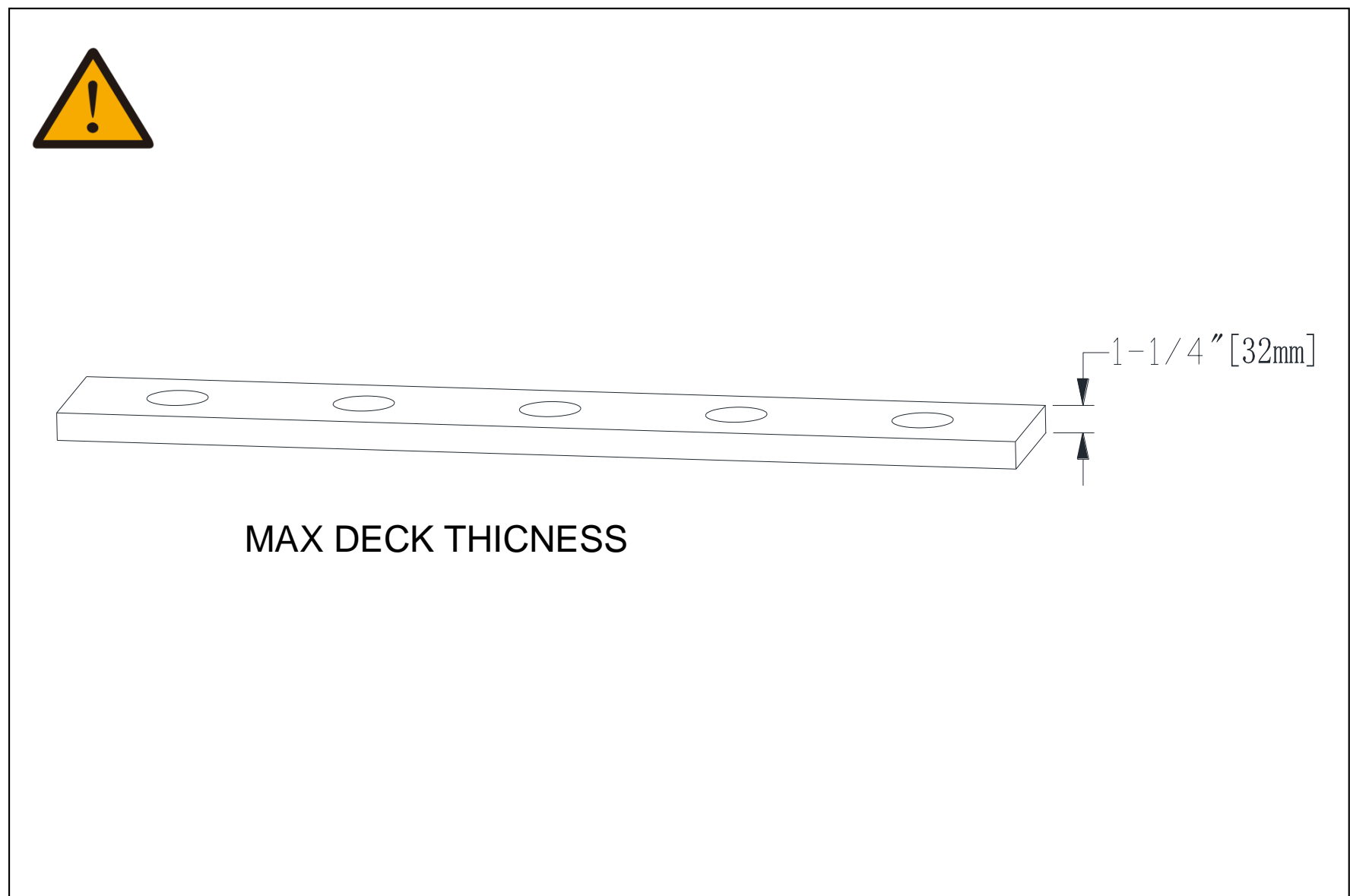
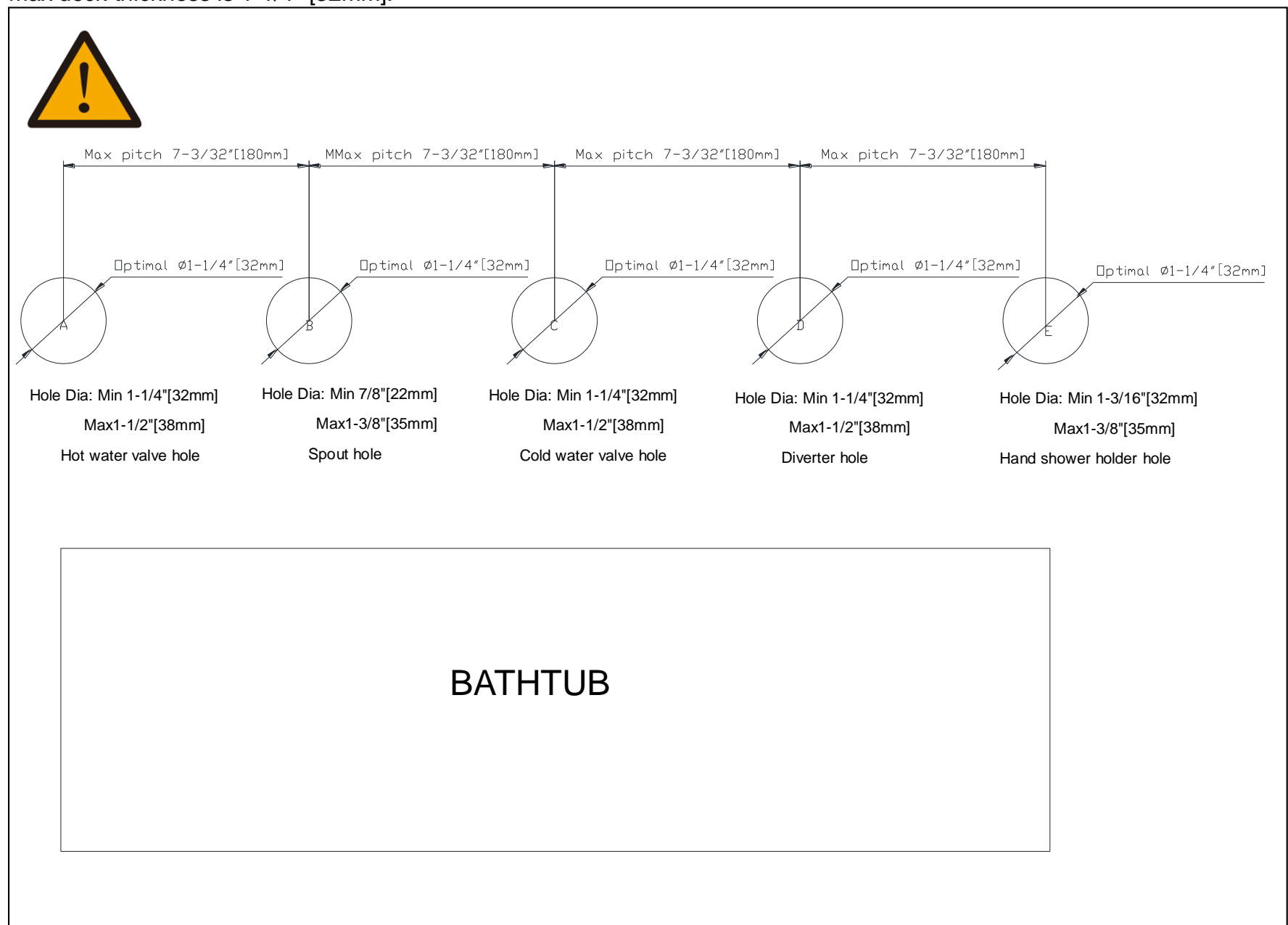


NO	ITEM NAME	MATERIAL	QTY	PART NO.	NO	ITEM NAME	MATERIAL	QTY	PART NO.
1	Knob	Zn Alloy No.3	3	PHD00006XX	22	Blue Plastic Washer	POM	1	PRW13101XX
2	Red Plastic Washer	POM	1	PRW13100XX	23	Cold Valve Cartridge	ASSEMBLE	1	PCT20911XX
3	Escutcheon	Zn Alloy No.3	3	PEC14080XX	24	Set Screw	SUS304	3	PSC05050XX
4	O-Ring	NBR	3	POR38025XX	25	Screw Cover	ABS	3	PSA00004XX
5	Cartridge Shank	HPB59-1	2	PNT20910XX	26	Diverter Cartridge Shank	HPB59-1	1	PSC21260PB
6	Hot Valve Cartridge	ASSEMBLE	1	PCT20910XX	27	Diverter Cartridge	ASSEMBLE	1	PCT33002XX
7	Rubber Washer	NBR	3	PRW45302XX	28	Diverter Valve Body	HPB59-1	1	PVB21265PB
8	Metal Gasket	SUS304	3	PRW45303XX	29	Rubber Washer	NBR	2	PRW19020XX
9	M30x1.5 Lock Nut	HPB59-1	3	PNT00029XX	30	Supply Fitting	HPB59-1	1	PCN21260XX
10	Hot/Cold Valve Body	HPB59-1	2	PVB20910PB	31	Rubber Washer	NBR	1	PRW14015XX
11	Spout	HPB59-1	1	PSP20430XX	32	Handheld Shower	ASSEMBLE	1	PHS00002XX
12	Aerator	ASSEMBLE	1	PAE13920XX	33	Handheld Shower Holder	Zn Alloy No.3	1	PHH21260XX
13	Escutcheon	HPB59-1	1	PEC20430XX	34	O-Ring	NBR	1	POR45035XX
14	Set Screw	SUS304	2	PSC04010XX	35	Shank	HPB59-1	1	PNT00010XX
15	O-Ring	NBR	1	POR47020XX	36	M32x1.5 Lock Nut	HPB59-1	1	PNT00027XX
16	O-Ring	NBR	1	POR12020XX	37	Shower Hose Sleeve	POM	1	PSA00012XX
17	Outlet Fitting	HPB59-1	1	PCN20430XX	38	Check Valve	ASSEMBLE	1	PAE00020XX
18	G1/2" Rubber Washer	NBR	1	PRW39222XX	39	Shower Hose	ASSEMBLE	1	PFH00016XX
19	G1/2" Metal Gasket	SUS304	1	PRW42232XX	40	G1/2" Hose	ASSEMBLE	2	PFH00020XX
20	G1/2" Lock Nut	HPB59-1	1	PNT00030XX	41	Double Lock Mesh Hose	ASSEMBLE	1	PFH00029XX
21	Set Screw	SUS304	10	PSC00001XX					

If any of these items are missing, please contact SUMERAIN consumer service by email to: [supports@sumerain.com](mailto:supports@sumerain.com)

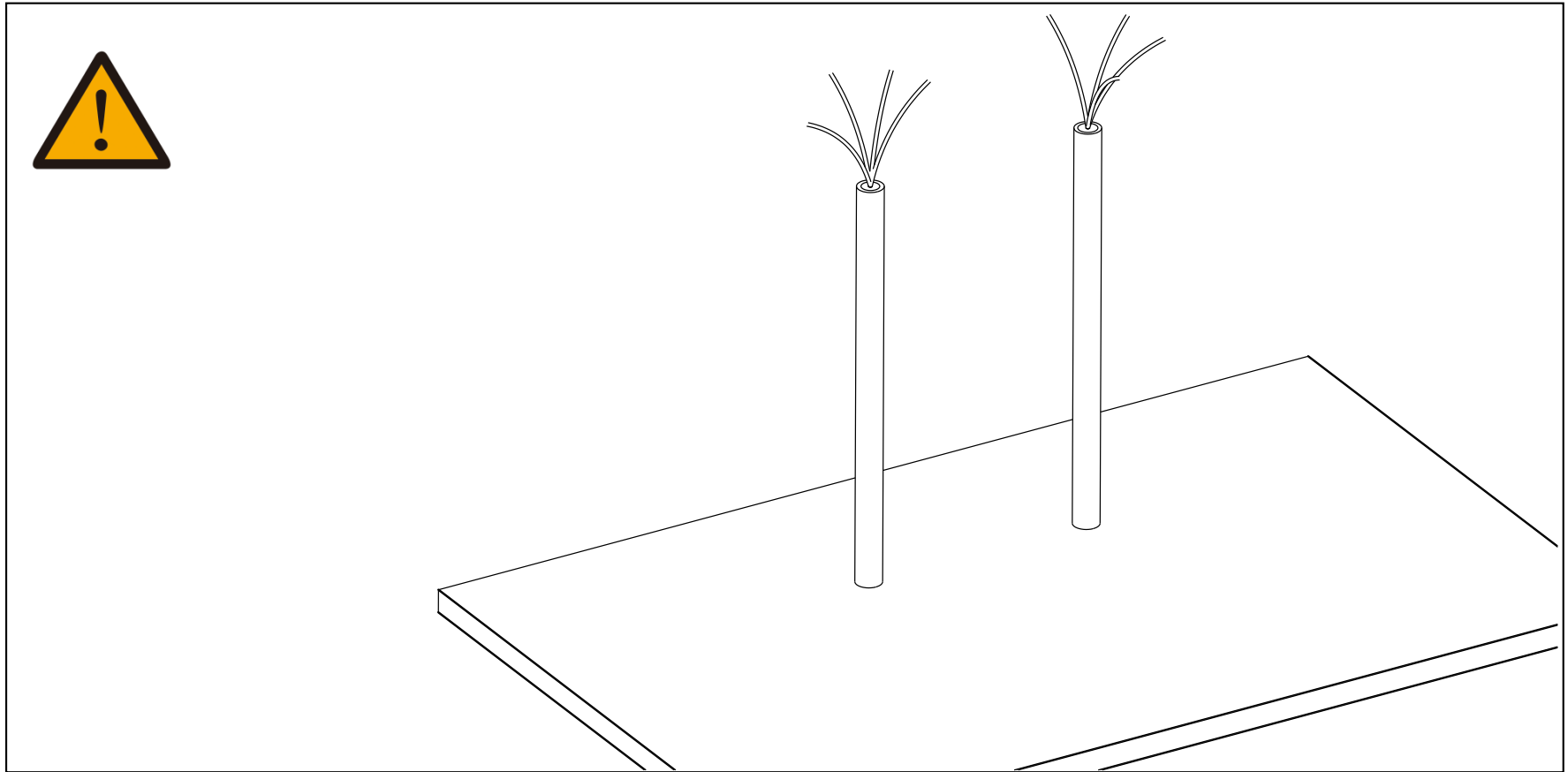
#### 4. INSTALLATION HOLES INSPECTION

Verify that the size and position of the holes are correct, the optimal diameter of mounting hole optional is 1-3/8" [35mm], the max deck thickness is 1-1/4" [32mm].

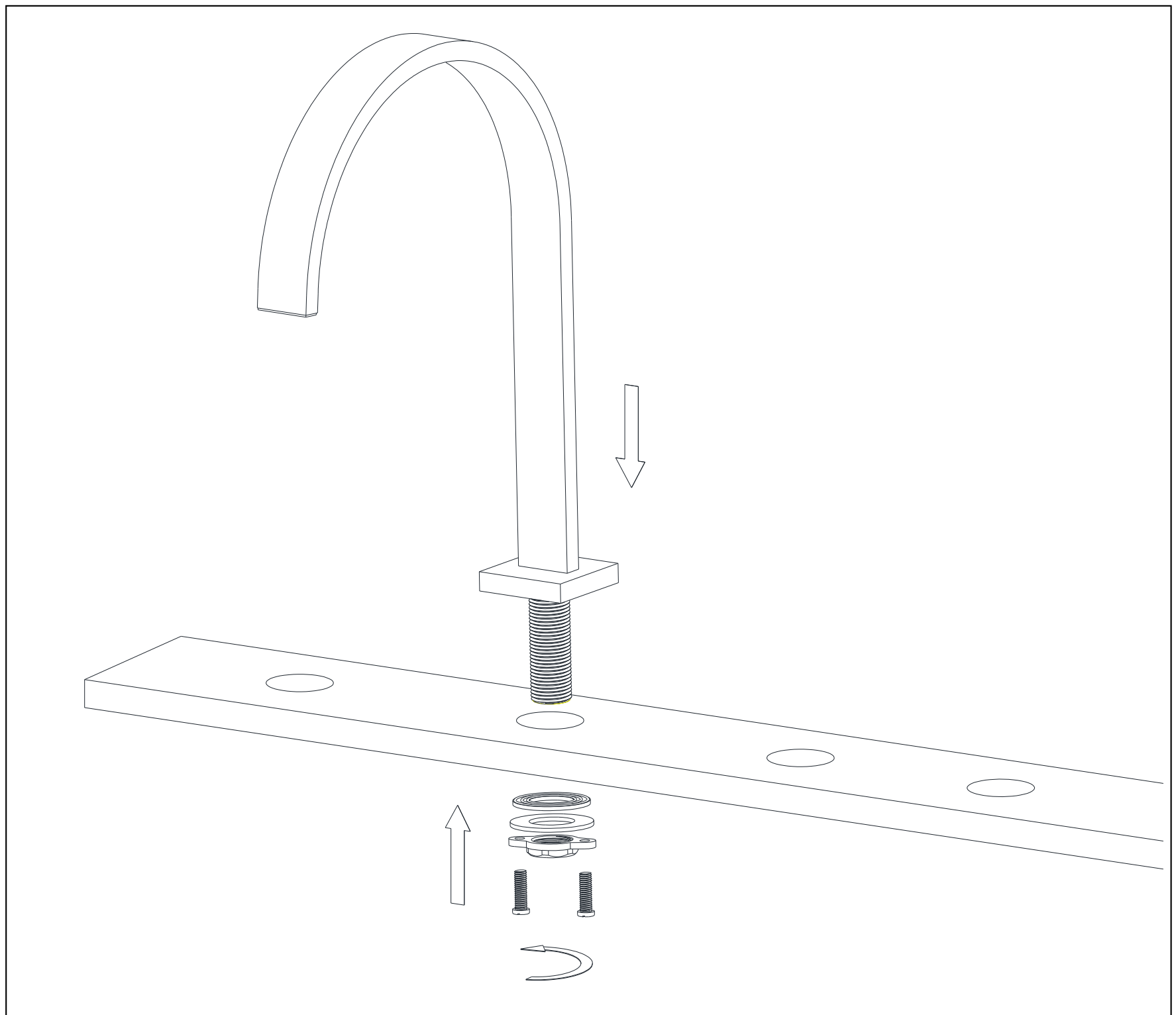


## 5. INSTALLATION

5.1 Turn on your shut-off valve for cleaning the hot and cold water supply pipe before connect to the faucet, allow the water flush 3~5 minutes to flush out dirt and debris. Shut off the water supply again after finish.

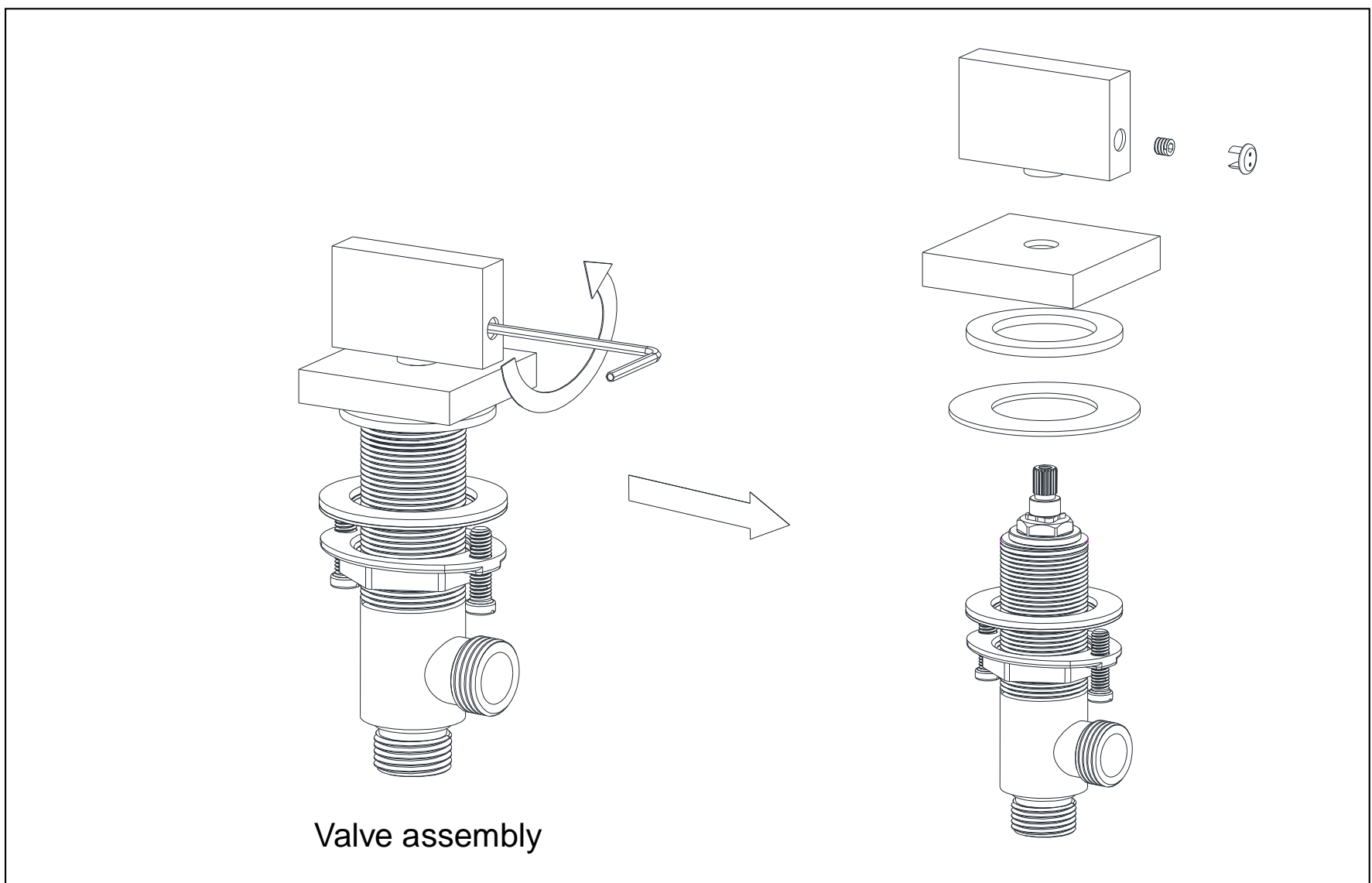


5.2 Position the spout onto the hole of mounting surface. Attach rubber washer, metal gasket and lock nut onto the spout's shank in sequence, and tighten the locknut from underneath using a wrench.



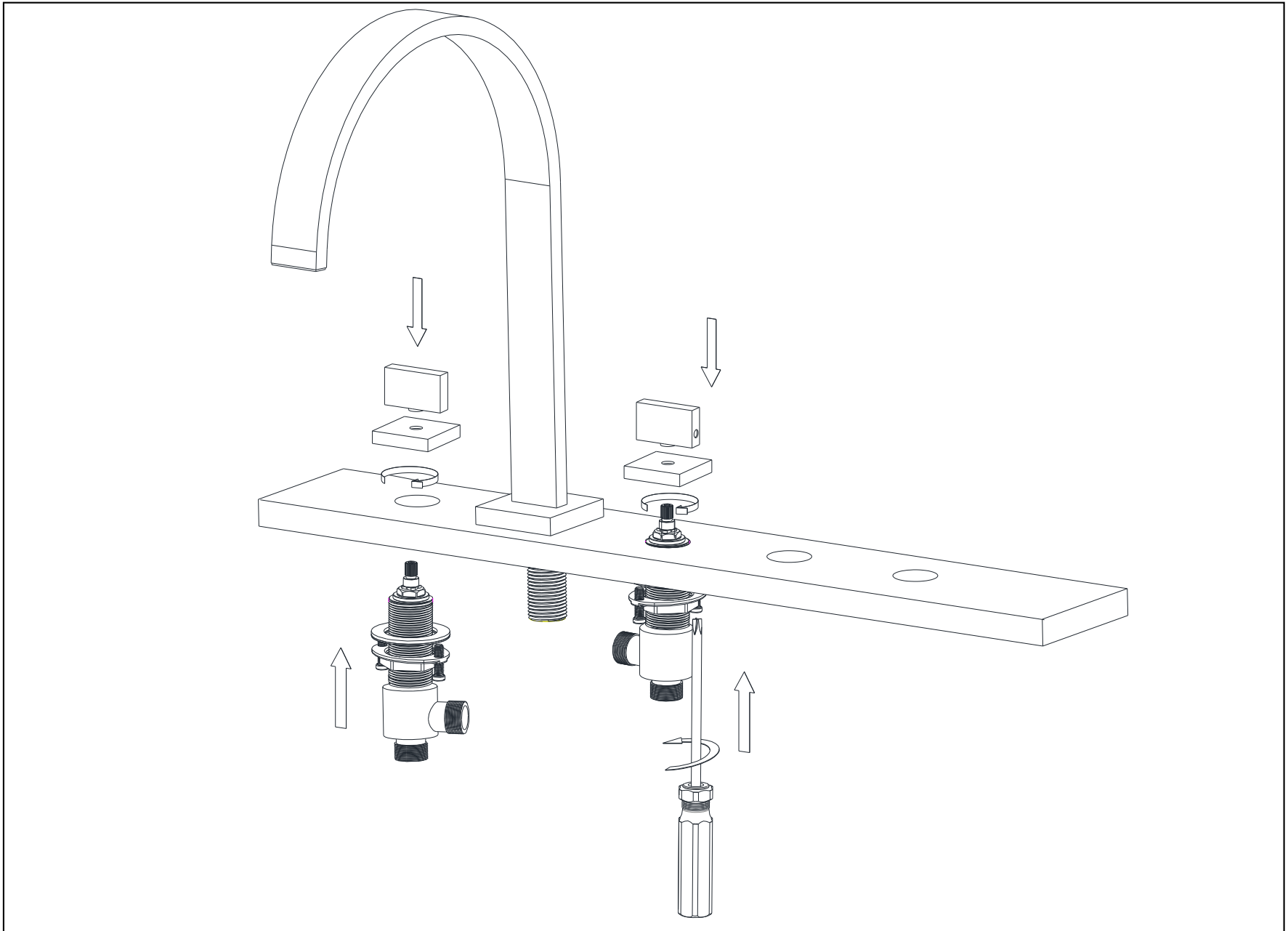


**5.3** Disassemble hot and cold water valve assembly to prepare for next step of installation. Take out the screw cover from the knob and use an Allen wrench to loosen the set screw inside by turning it counterclockwise. Then, disassemble the knob and the escutcheon from the valve assembly.

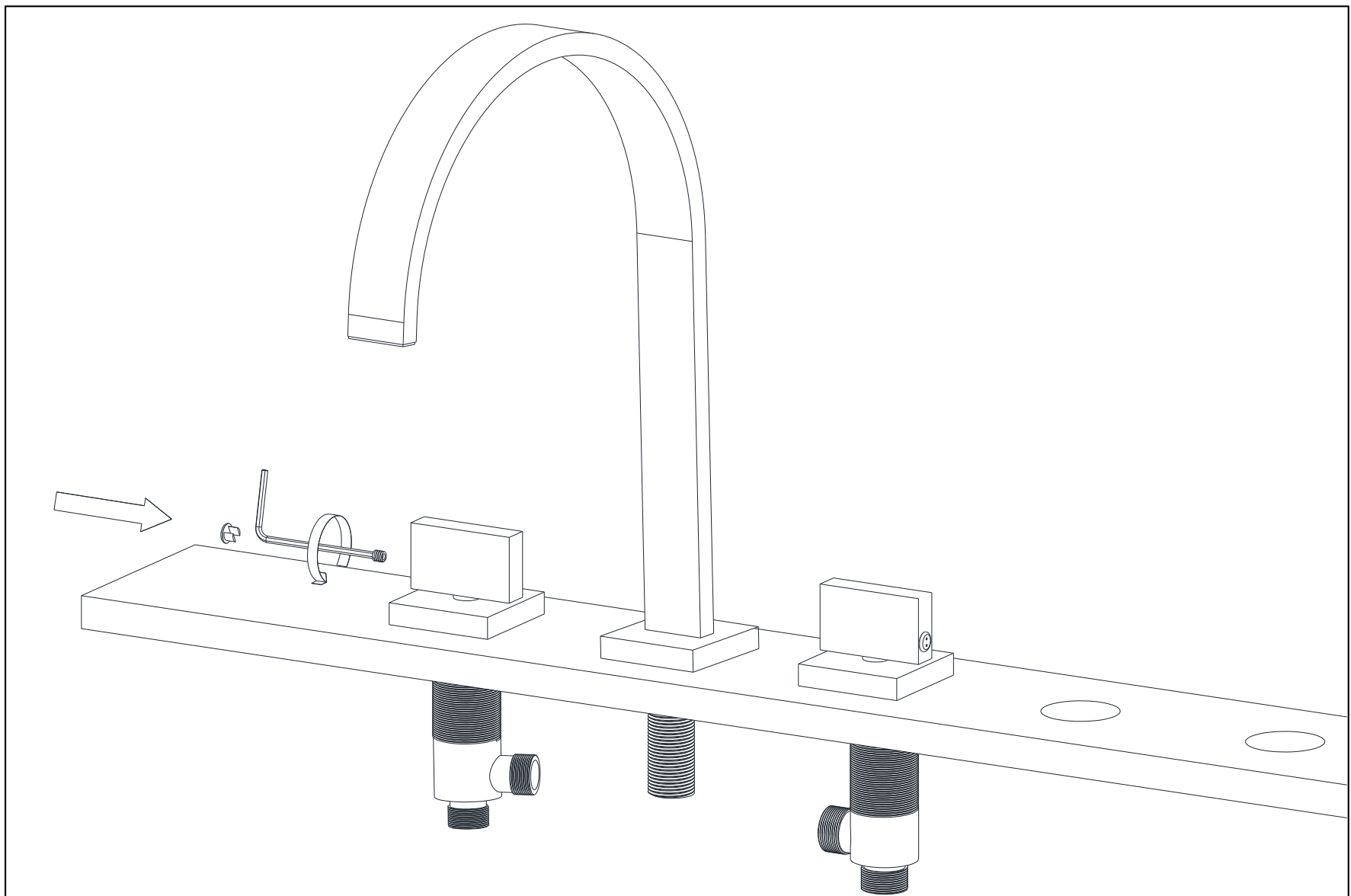


Valve assembly

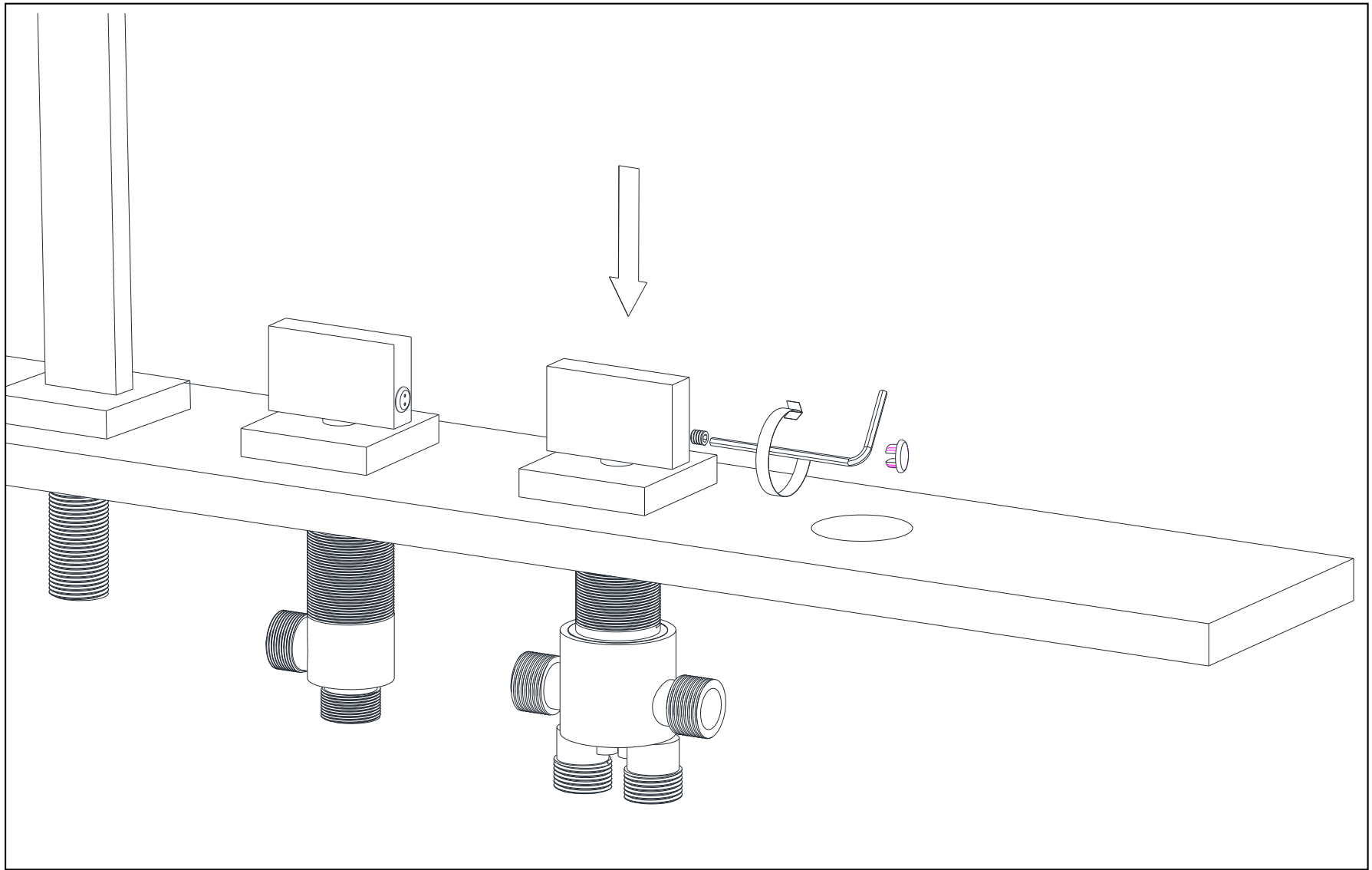
**5.4** Position the hot valve body and cold valve body, which includes rubber and metal washers and locknuts, from underneath the mounting surface. Then screw the escutcheons with O-rings and the knobs onto the valve bodies from above the mounting surface to secure the valve bodies in place. Adjust the escutcheons to the desired height as necessary, and secure the locknuts with a screwdriver.



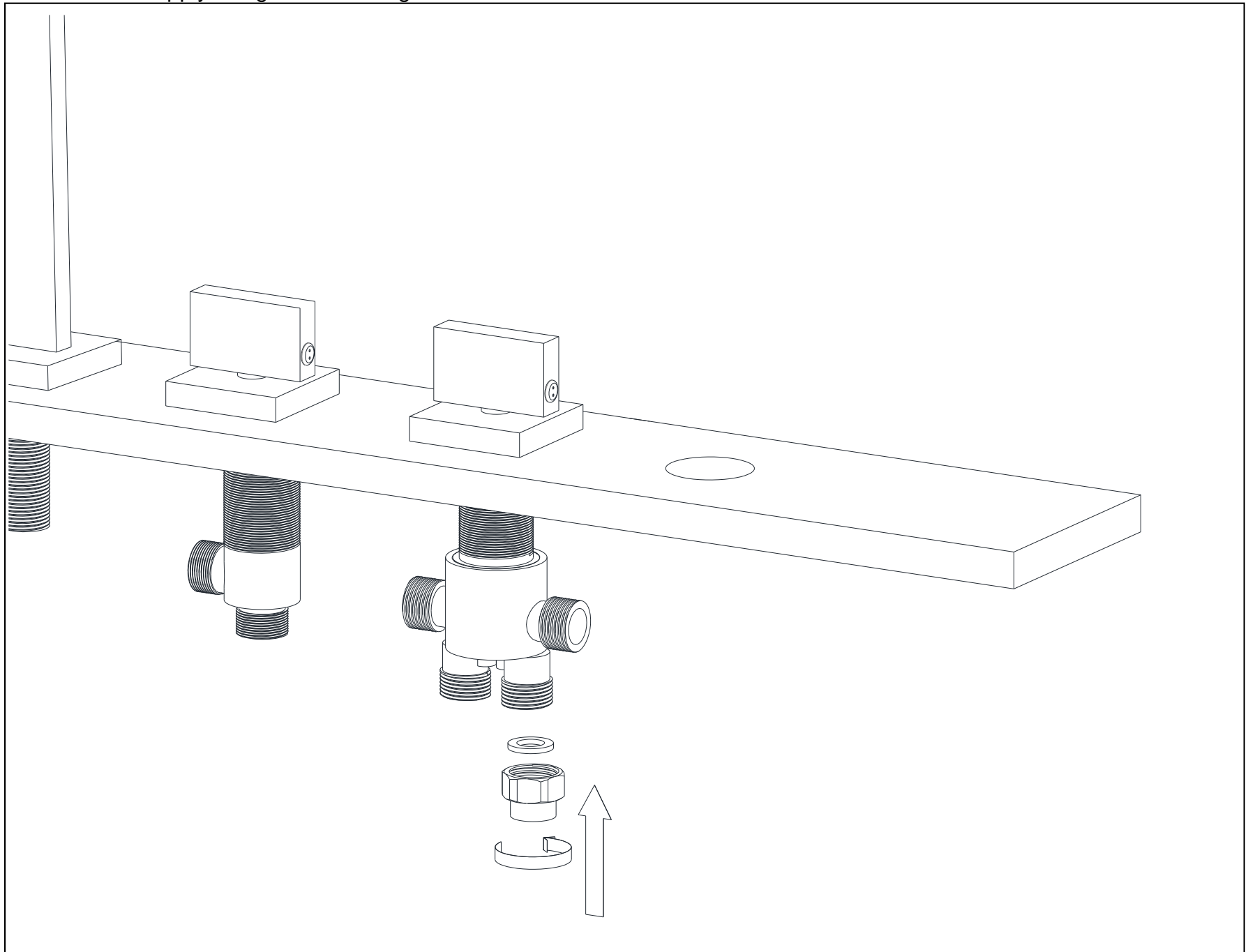
**5.5** Tighten the set screw to the knob using an Allen wrench. Repeat the same procedure for the right-side cold water valve assembly.



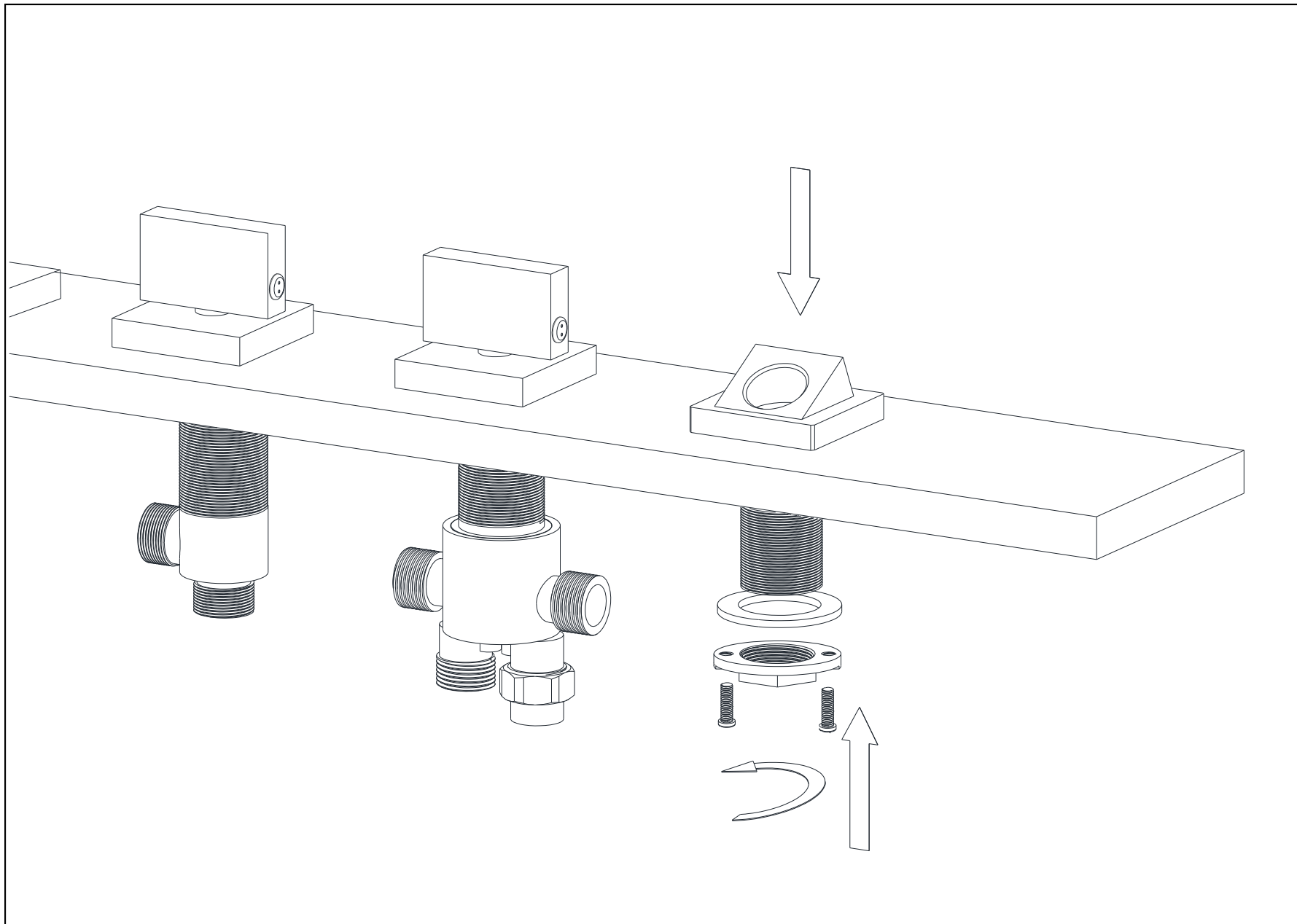
**5.6** Disassemble the diverter valve body as instructed in step 5.3. Then, place the diverter valve from beneath the mounting surface, and from above the mounting surface, tighten the escutcheon and knob to secure the valve body. Adjust the escutcheon to the appropriate height as needed, then tighten the locknut with a screwdriver. Finally, secure the set screw to the knob using an Allen wrench.



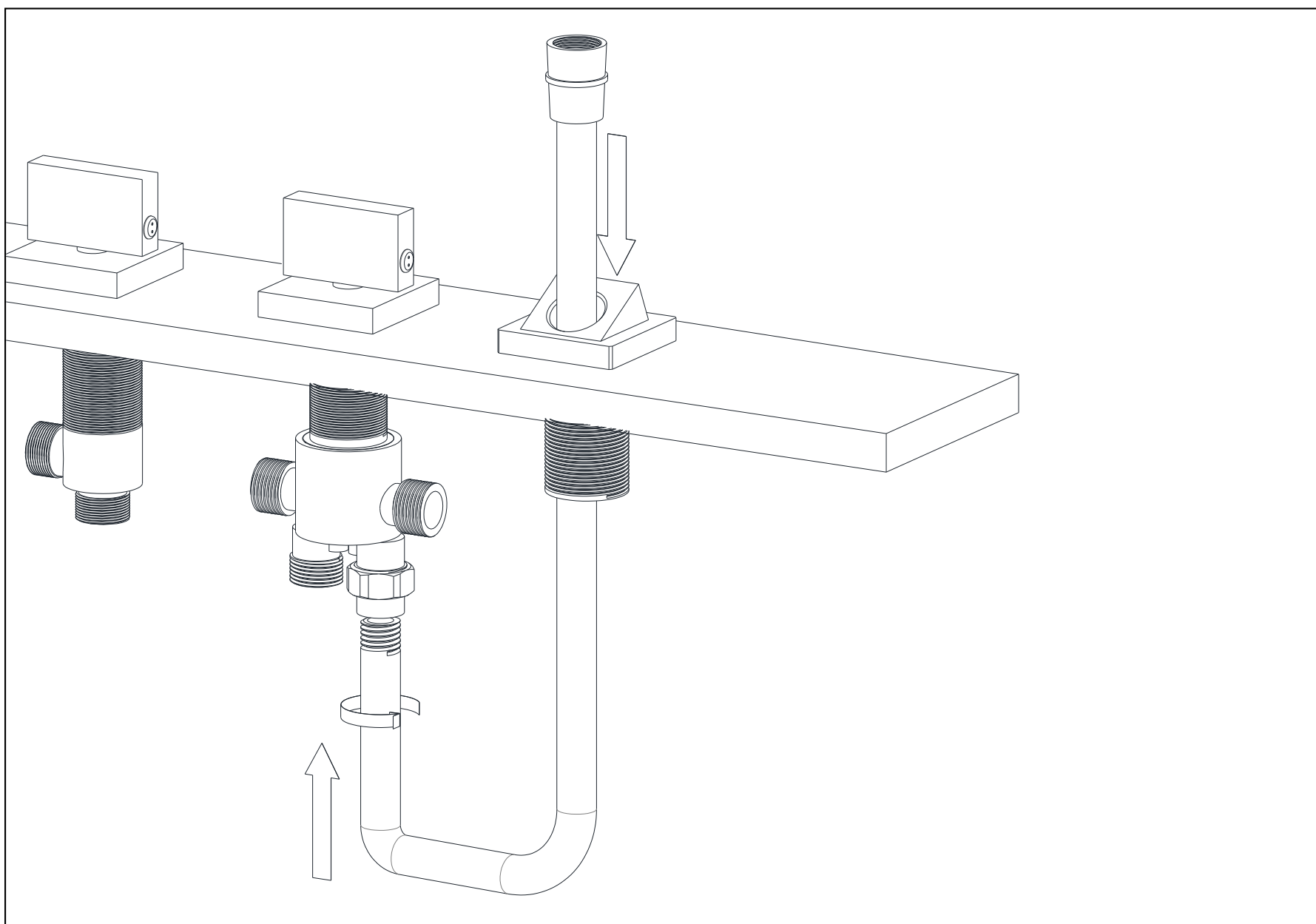
**5.7** Install the supply fitting as below diagram:



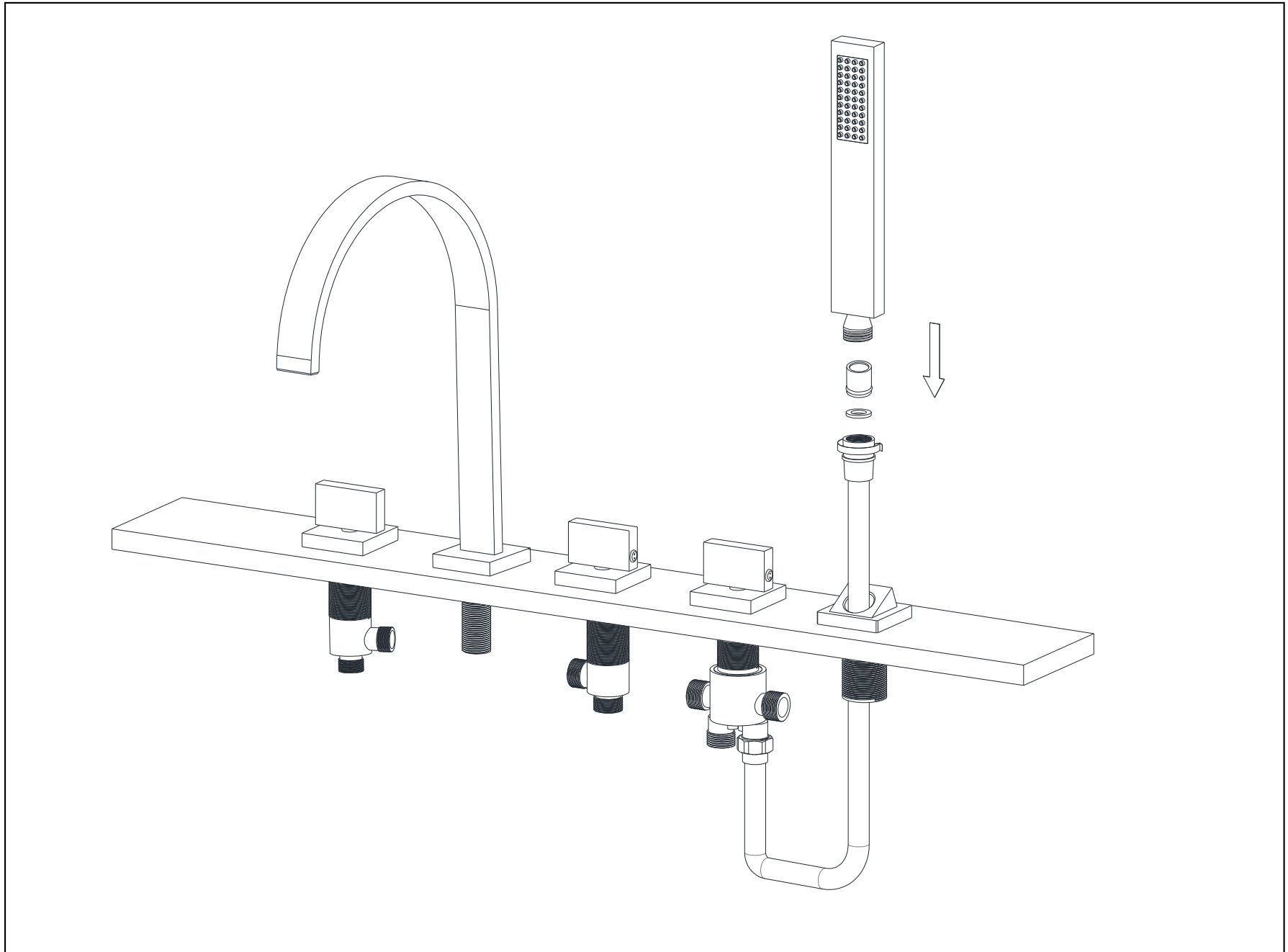
**5.8** Install hand shower holder as below. Secure from below the mounting surface with a rubber washer and a locknut.



**5.9** Through the shower hose across the center hole of hand shower holder and connect it to the water supply fitting, as below diagram:

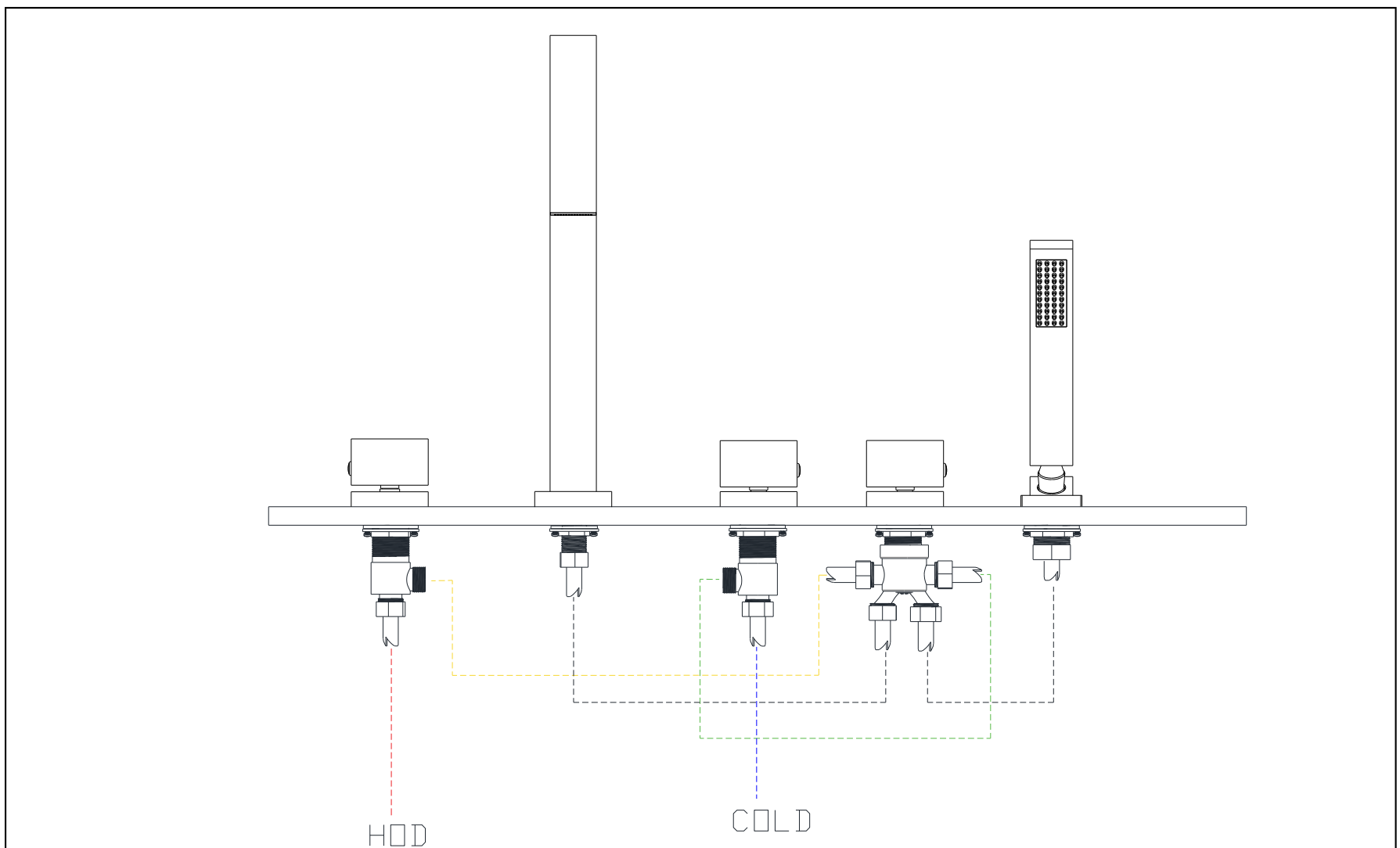


**5.10** Connect the hand shower to shower hose.

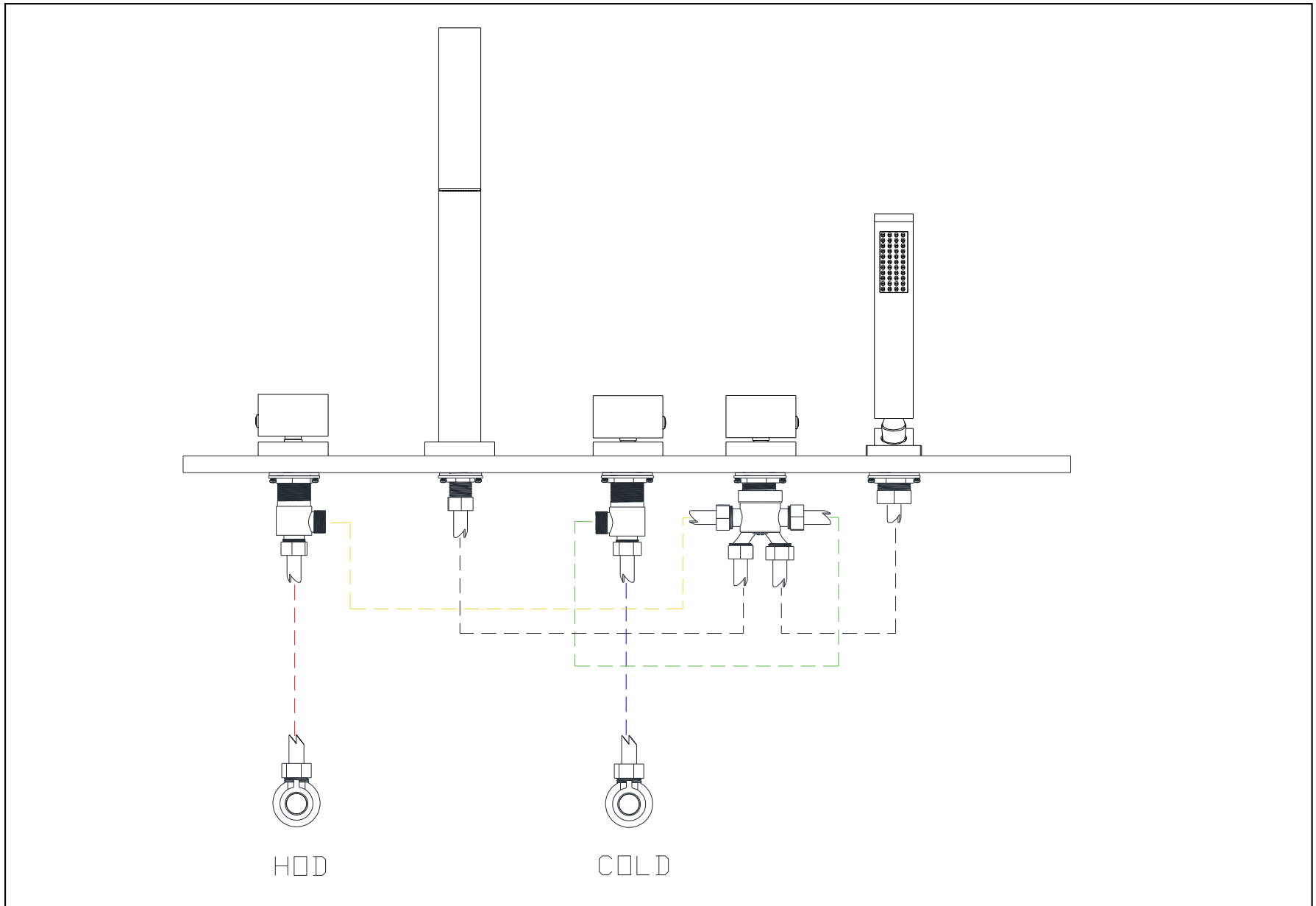


**5.11** Connect all components with flexible hose.

- 5.11.1 Connect cold valve's outlet connector to one of the Diverter's inlet connector with G1/2" hose.
- 5.11.2 Connect hot valve's outlet connector to another Diverter's inlet connector with G1/2" hose.
- 5.11.3 Connect spout water inlet connector with one of Diverter's outlet connector with G1/2" hose.
- 5.11.4 Connect shower hose water inlet connector to Diverter's another outlet connector.



**5.12** Connect hot valve body's inlet connector and cold water inlet connector to stop valve separately with flexible hose. Connect the hot and cold valve bodies' inlet connectors to the stop valves using flexible hoses. The water inlet connections for both the hot and cold valve bodies are 1/2".



## **6. INSPECTION**

**6.1** Turn on hot and cold water supply and check all connection for ensuring no leaking anywhere,

**INSTALLATION FINISHED**

## CLEARING RECOMMENDATION FOR SUMERAIN PRODUCTS

Modern lavatory faucets, kitchen faucets, and showers are built using a wide variety of materials to cater to the market's demands for design and functionality. To avoid damage and potential returns, adhering to specific cleaning guidelines is crucial.

### Cleaning Materials for faucets & showers

When cleaning faucets and showers, it is important to consider the following professional terms:

- Acidic cleaning agents are essential for lime removal.
- Ensure to use only cleaning agents that are specifically designed for this particular application.
- Avoid using cleaning agents containing hydrochloric, formic, phosphoric, or acetic acid, as they can cause significant damage.
- Avoid mixing different cleaning agents, as this can cause harmful chemical reactions.
- Avoid using abrasive cleaning agents or tools, including unsuitable cleaning powders, sponge pads, or microfiber cloths that could damage the surface.

### Cleaning instructions for faucets & showers

Please follow the cleaning material manufacturer's instructions. In addition, pay attention to the following points:

- Clean faucets and showers regularly as needed to maintain their optimal function and appearance.
- Apply the recommended amount of cleaning product for the specified duration. Be sure not to leave the cleaner on the faucets longer than necessary to avoid potential damage.
- Regular cleaning can help prevent calcification. If you notice scale deposits on the faucet surface or spout, use a commercial descaler such as Lime-Away® or CLR®.
- In case of rust formation due to hard water conditions, gently abrade the affected area with aluminum foil soaked in water until the surface is smooth. Subsequently, apply a modest amount of chrome polish or a suitable product like automotive wax (for instance, Meguiar's®, Turtle Wax®) to buff the surface.
- Solid stainless steel faucets and spouts, especially waterfall spouts, typically lack a protective coating. Although stainless steel is naturally resistant to tarnishing, it can oxidize over time and react to its environment. Therefore, it's crucial to keep stainless fixtures clean and dry. Use a cleaner specifically designed for stainless steel, such as Weiman® or CLR®.
- When using a spray cleaner, it is recommended that you first apply it to a soft cloth or sponge rather than spraying it directly onto the faucet. This method helps prevent water droplets from entering the faucet opening and causing potential damage.
- After cleaning, thoroughly rinse with clean water to remove any residue from the cleaner.

### Important

Residues from liquid soap, shampoo, and shower gel can also contribute to damage. Therefore, it's crucial to thoroughly rinse these substances off with clean water after use.



**Note:** if the surface is already damaged, the application of cleaning materials might exacerbate the damage.

**Components with damaged surfaces must be replaced or injury could result.**

**Note that any damage resulting from improper treatment is not covered by the warranty.**

# SUMERAIN®

### SUMERAIN INTERNATIONAL GROUP INC

Address: 1226 NORTH KING ST NUM 522  
WILMINGTON, DE 19801  
United States

Tel: +1(866)203-0866

Web: <http://www.sumerain.com>

E-mail: [supports@sumerain.us](mailto:supports@sumerain.us)

### HONGKONG SUMERAIN SANITARY INDUSTRY CO., LIMITED

Address: FLAT/RM 3B 3/F BANK TOWER  
NOS.351&353 KING'S ROAD  
NORTH POINT  
HK

Tel: +86-750-2731579

E-mail: [supports@sumerain.com](mailto:supports@sumerain.com)

### SUMERAIN EUROPE SUPPORT

Address: Flottwellstr. 15  
10785 Berlin,  
Deutschland

Tel: +49 (0)30/23975898

E-mail: [de@sumerain.com](mailto:de@sumerain.com)