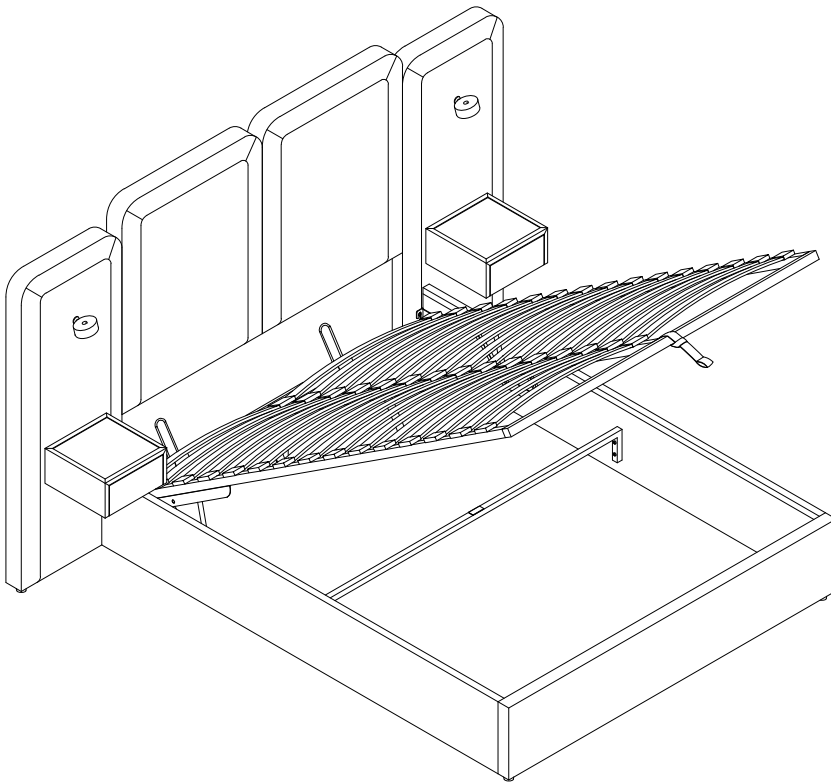


ASSEMBLY INSTRUCTION



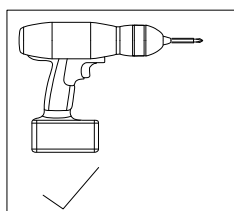
Please **TEAR OFF** this shrink film from side!
DO NOT USE CUTTER!

IMPORTANT NOTE

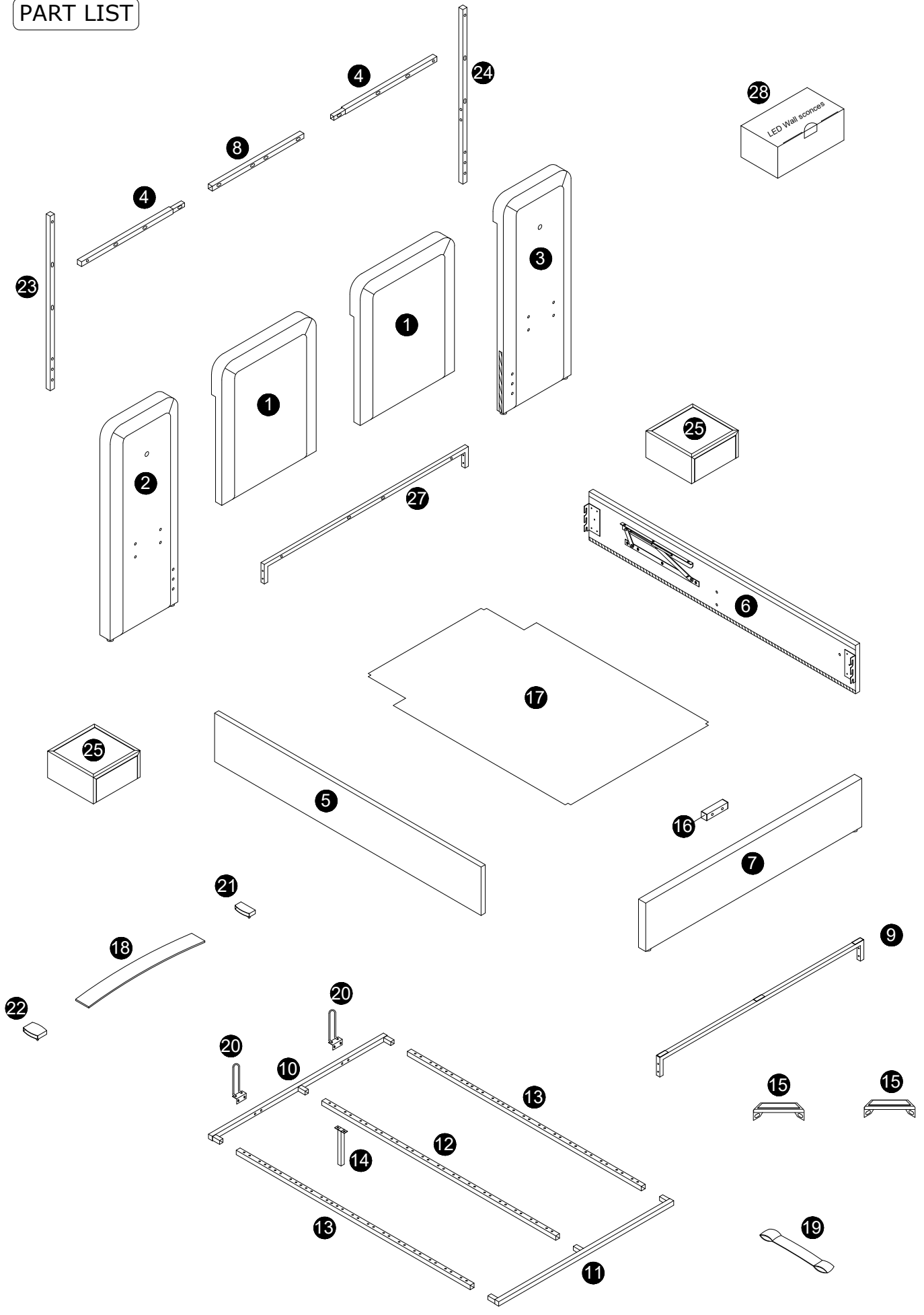
1. For the protection of your furniture, place all parts on a clean and smooth surface to prevent any damage.
2. Keep fittings out of children's reach and keep children well away from construction area.
3. When moving your assembled bed, it is best to lift the bed and never to drag it.
4. Do not use this product if parts are missing, damaged or worn.
5. This product should only be used on firm, level ground.
6. Please periodically check all fittings and re-tighten as necessary.
7. Do not use the bed unless all bolts and screws are firmly secured.
8. For further assistance, please provide a screenshot of your order and contact us.



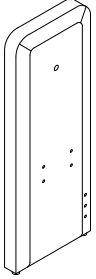
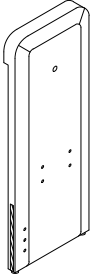
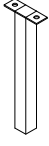

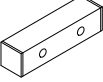
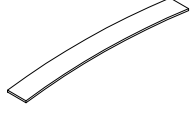
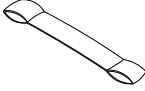


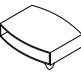
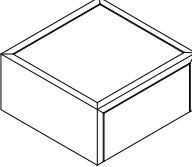
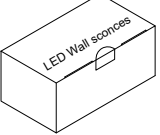
Minimum two
person assembly



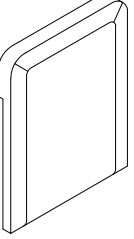
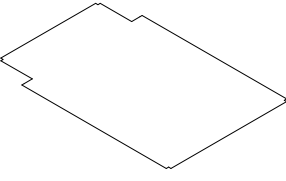
PART LIST



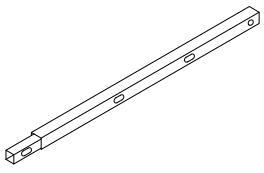
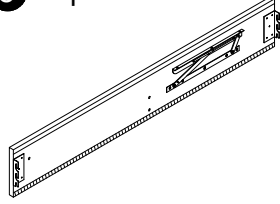
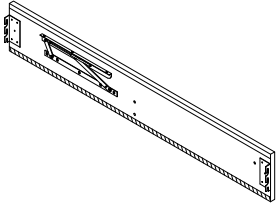
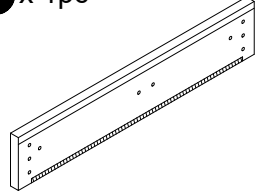
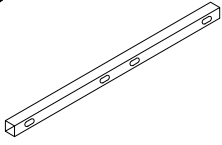
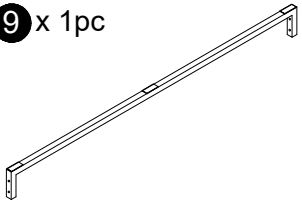
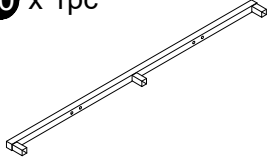
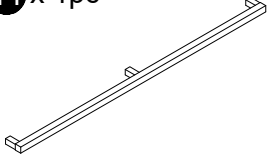
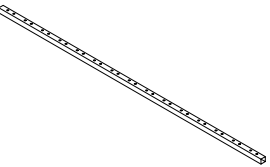
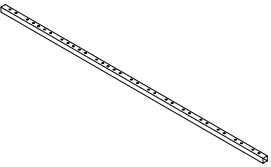


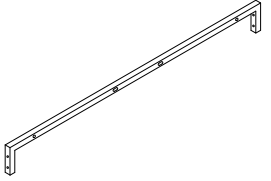
Components of Carton A

| | | | |
|------------------------------------------------------------------------------------------------------------|------------------------------------------------------------------------------------------------------------|----------------------------------------------------------------------------------------------------------------------|-------------------------------------------------------------------------------------------------------------|
| <p>2 x 1pc</p>  | <p>3 x 1pc</p>  | <p>14 x 1pc (25x205mm)</p>  | <p>15 x 2pcs</p>  |
| <p>16 x 1pc</p>  | <p>18 x 30pcs</p>  | <p>19 x 1pc</p>  | <p>20 x 2pcs</p>  |
| <p>21 x 30pcs</p>  | <p>22 x 15pcs</p>  | <p>25 x 2pcs</p>  | <p>28 x 1pc</p>  |


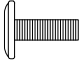





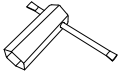

Components of Carton B

| | | | |
|------------------------------------------------------------------------------------------------------------|------------------------------------------------------------------------------------------------------------|--|--|
| <p>1 x 2pcs</p>  | <p>17 x 1pc</p>  | | |
|------------------------------------------------------------------------------------------------------------|------------------------------------------------------------------------------------------------------------|--|--|

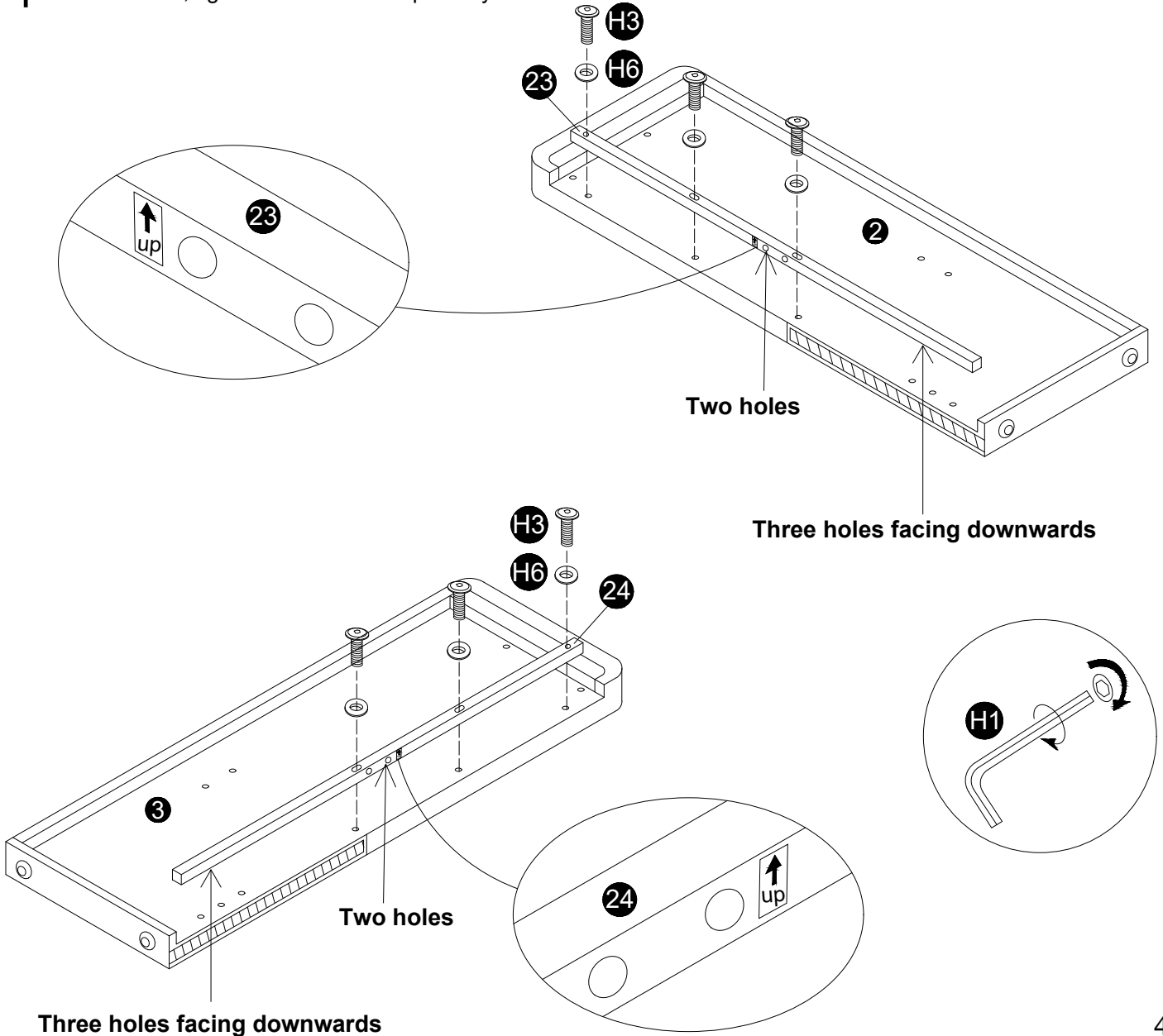
Components of Carton C

| | | | | |
|------------------------------------------------------------------------------------------------------------|-------------------------------------------------------------------------------------------------------------|-------------------------------------------------------------------------------------------------------------|--------------------------------------------------------------------------------------------------------------|--------------------------------------------------------------------------------------------------------------|
| <p>4 x 2pcs</p>  | <p>5 x 1pc</p>  | <p>6 x 1pc</p>  | <p>7 x 1pc</p>  | |
| <p>8 x 1pc</p>  | <p>9 x 1pc</p>  | <p>10 x 1pc</p>  | <p>11 x 1pc</p>  | |
| <p>12 x 1pc</p>  | <p>13 x 2pcs</p>  | <p>23 x 1pc</p>  | <p>24 x 1pc</p>  | <p>27 x 1pc</p>  |

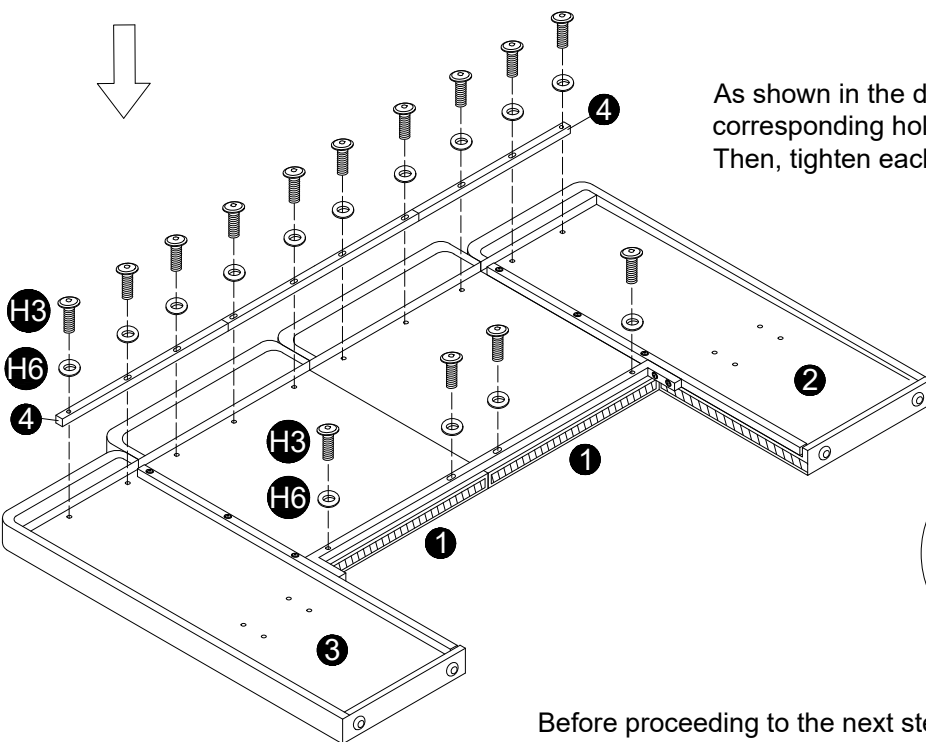
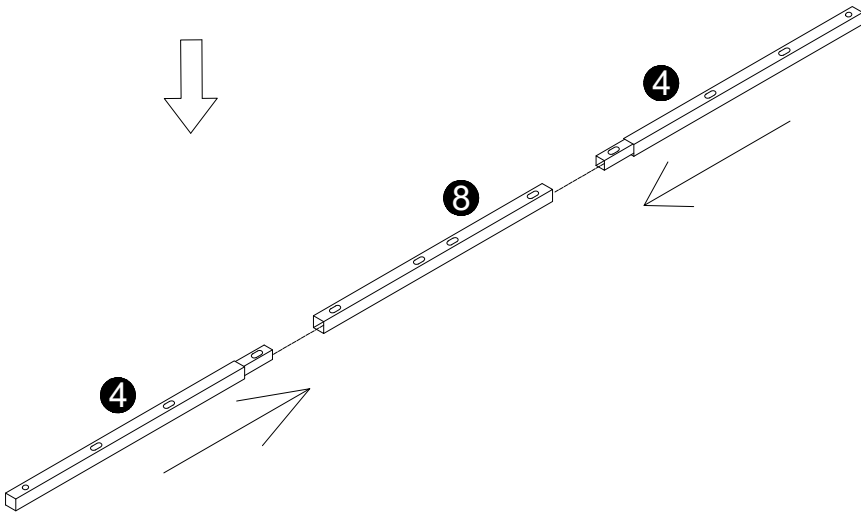
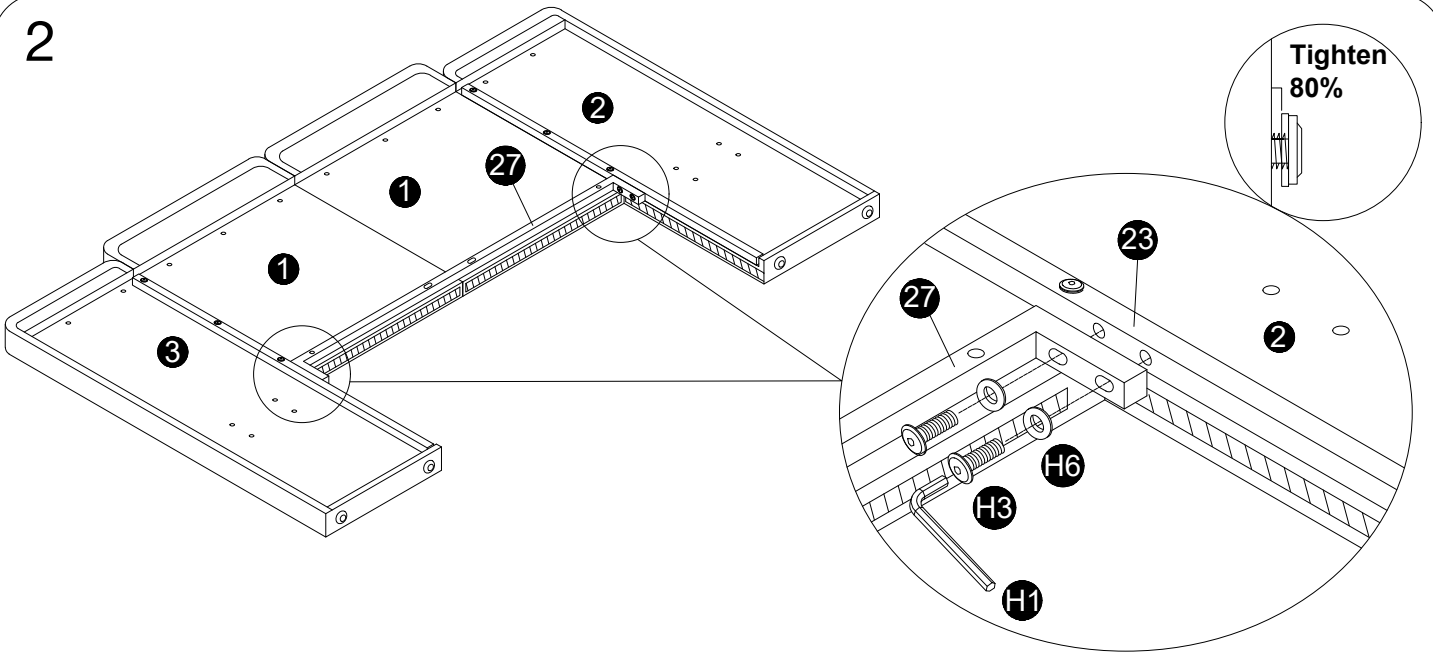
HARDWARE LIST

| | | | |
|---------------------------------------------------------------------------------------------------------------|----------------------------------------------------------------------------------------------------------------|-----------------------------------------------------------------------------------------------------------------|-----------------------------------------------------------------------------------------------------------------|
|  H1 M5 x 1pc |  H2 M8x25mm x 28pcs |  H3 M8x50mm x 36pcs |  H4 M8x60mm x 6pcs |
|  H5 M8 x 14pcs |  H6 M8x22mm x 38pcs |  H7 M8 x 14pcs |  H8 x 1pc |
|  H9 M8x80mm x 8pcs | | | |

1 As shown in the diagram, align the screws with the corresponding holes and pre-fix them. Then, tighten each screw separately.



2

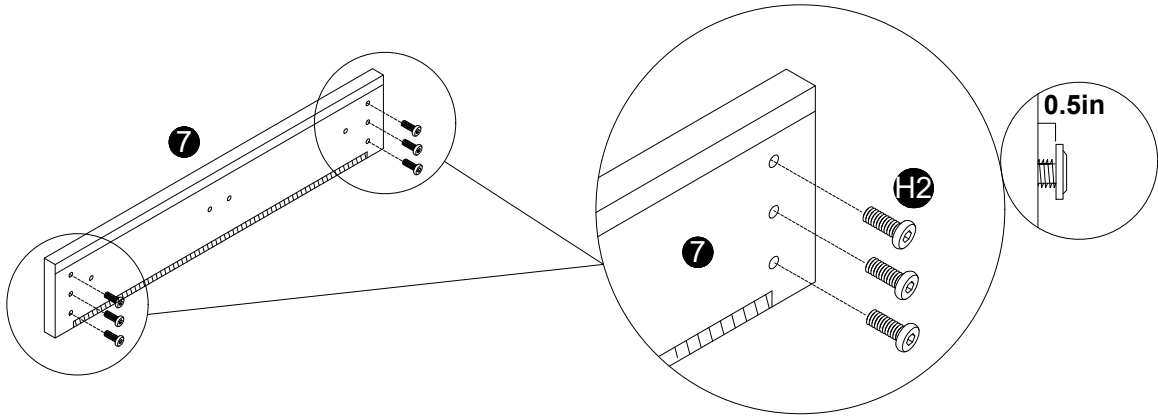


As shown in the diagram, align the screws with the corresponding holes and pre-fix them. Then, tighten each screw separately.

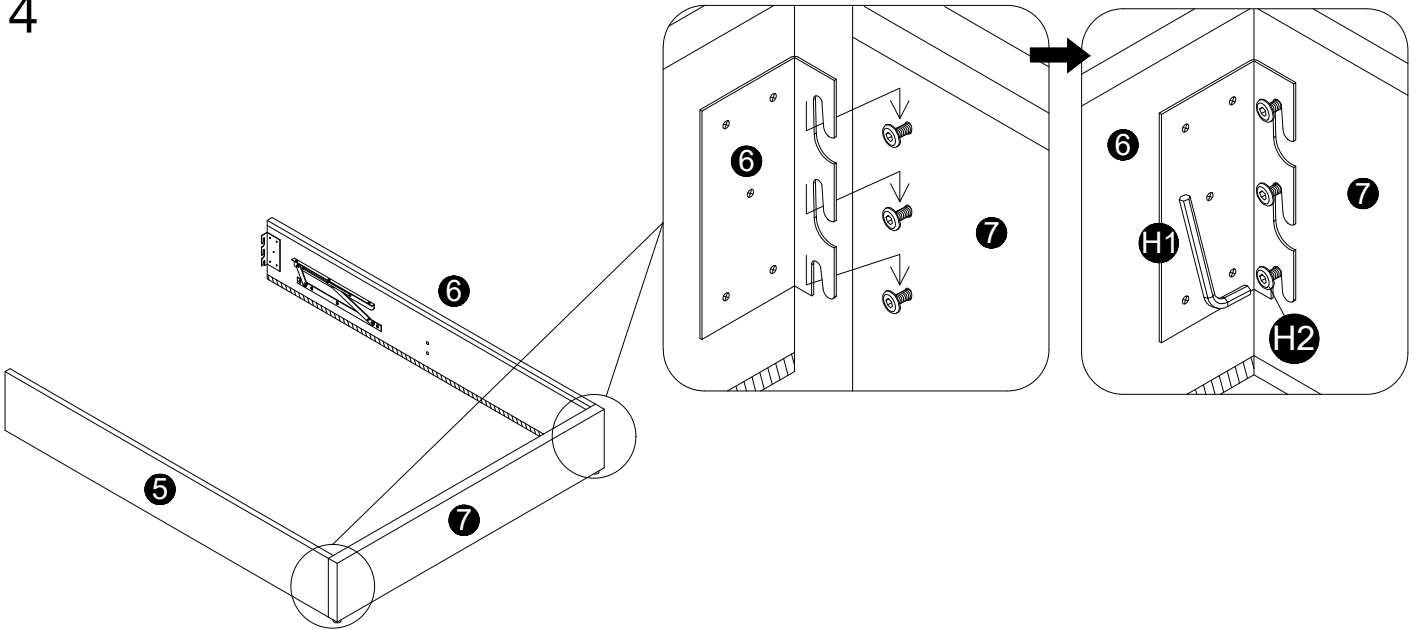
Before proceeding to the next step, tighten all the screws.

5

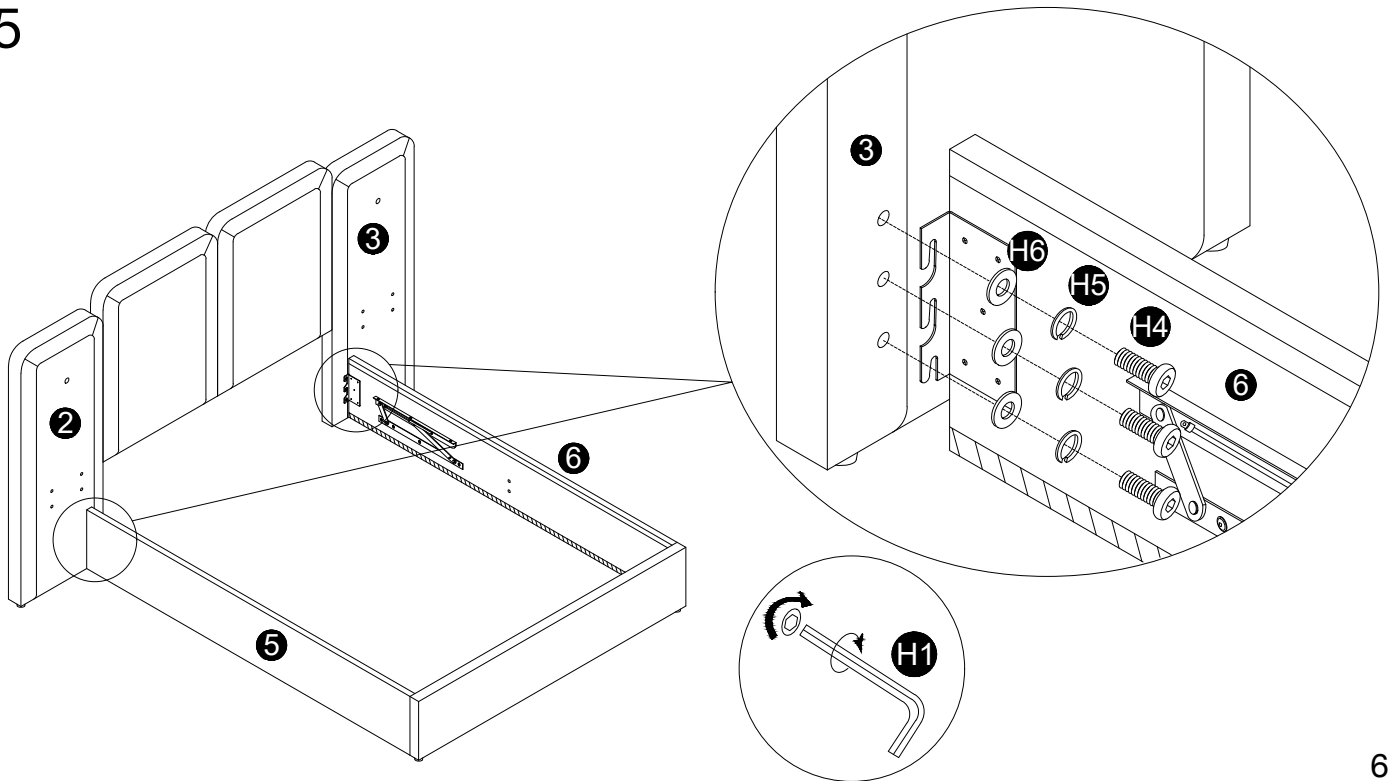
3



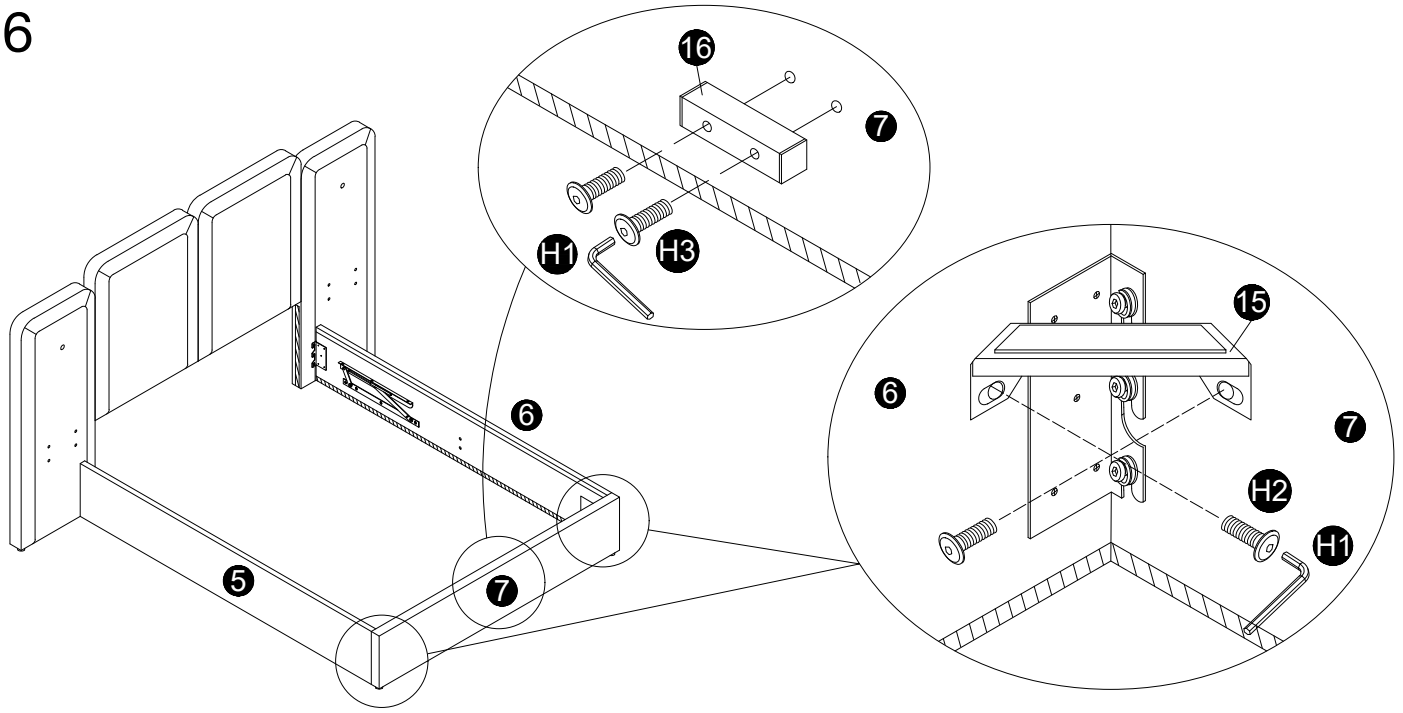
4



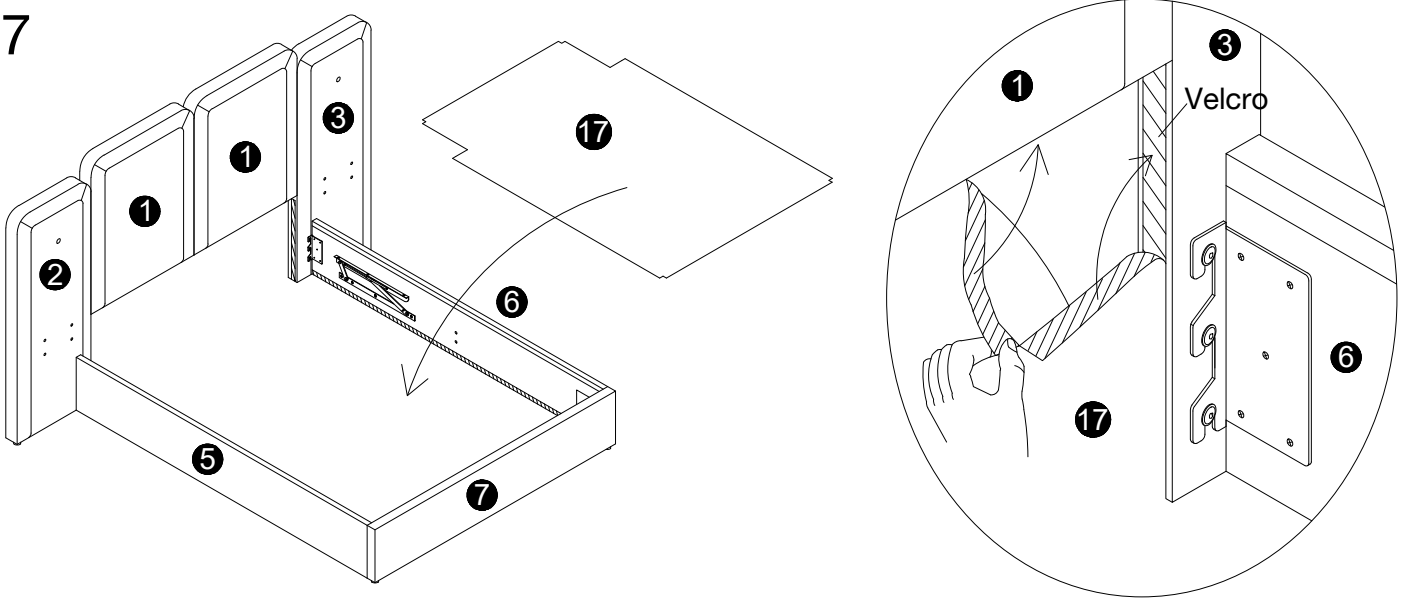
5



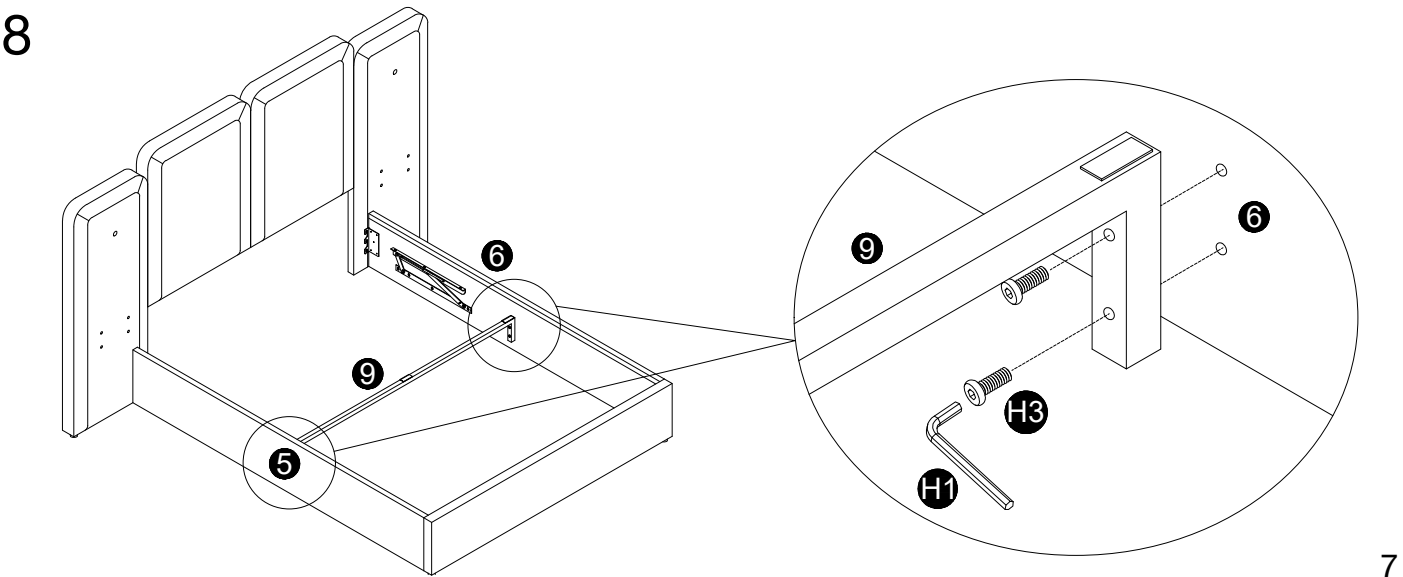
6



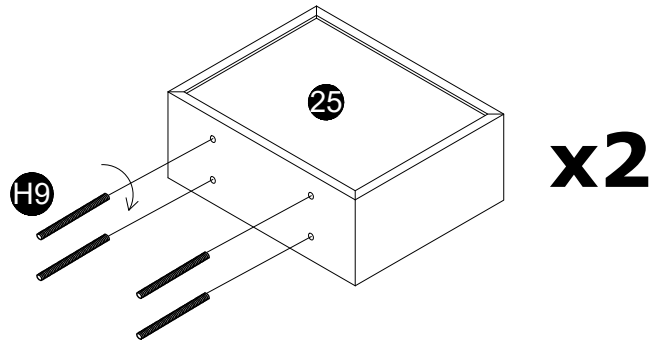
7



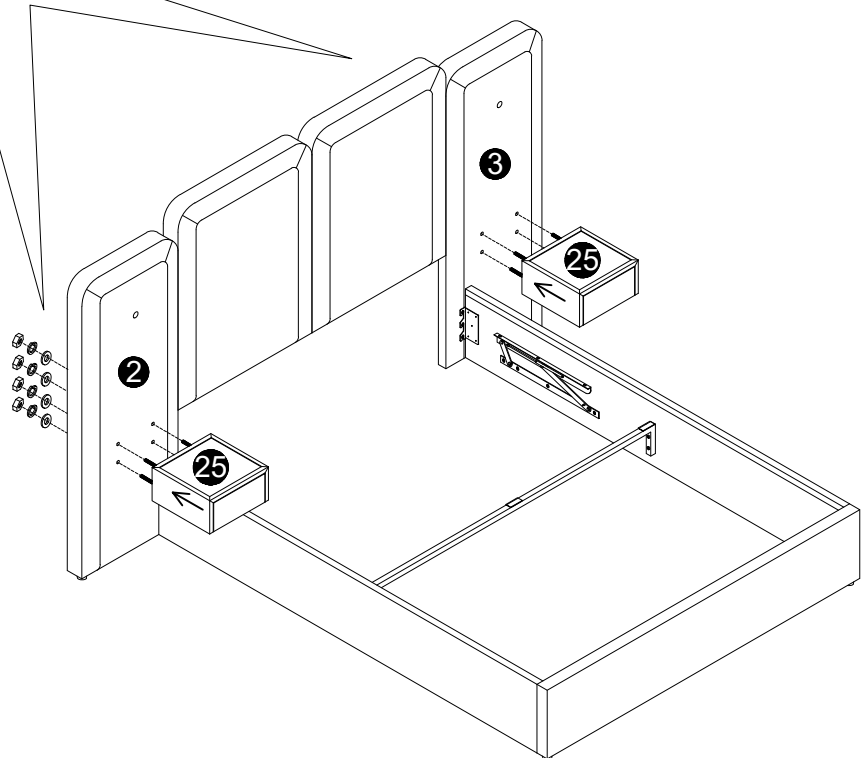
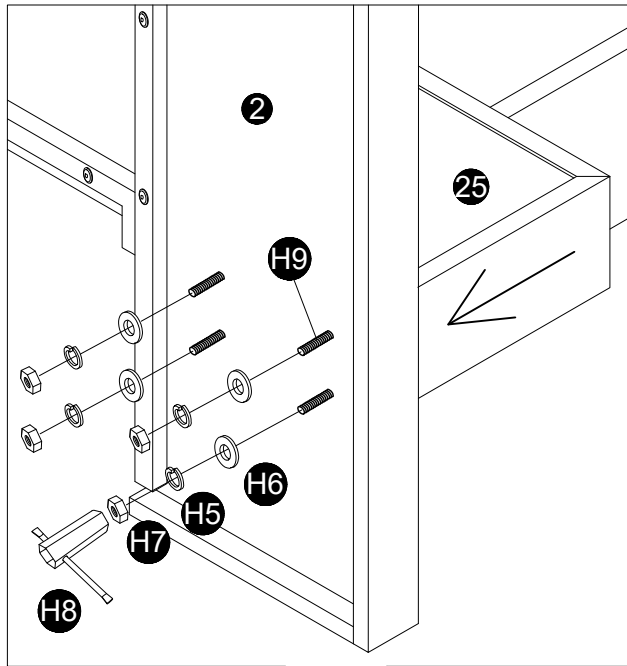
8



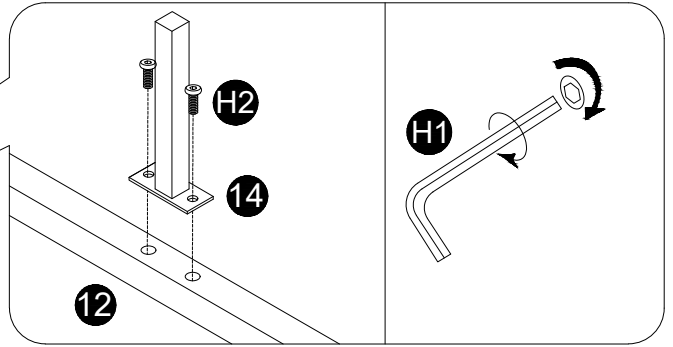
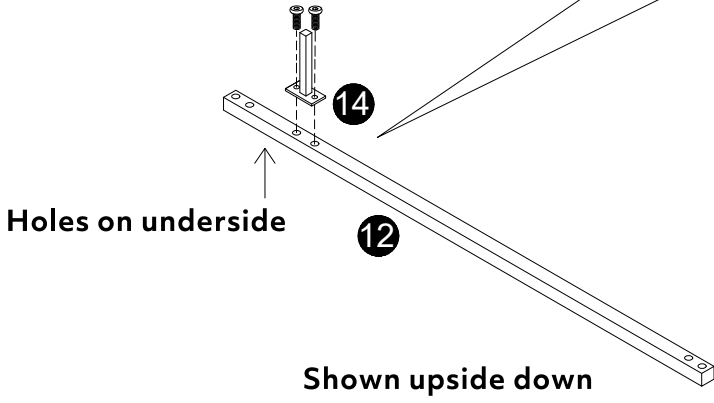
9



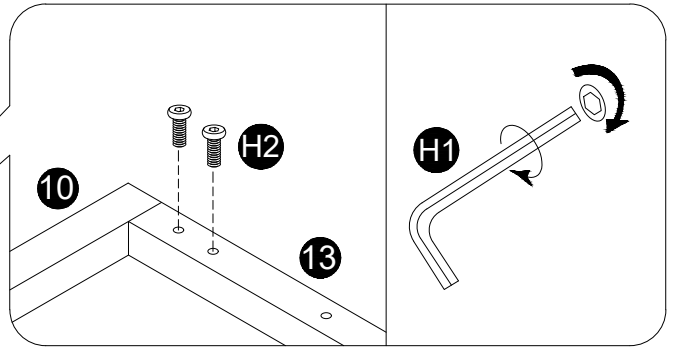
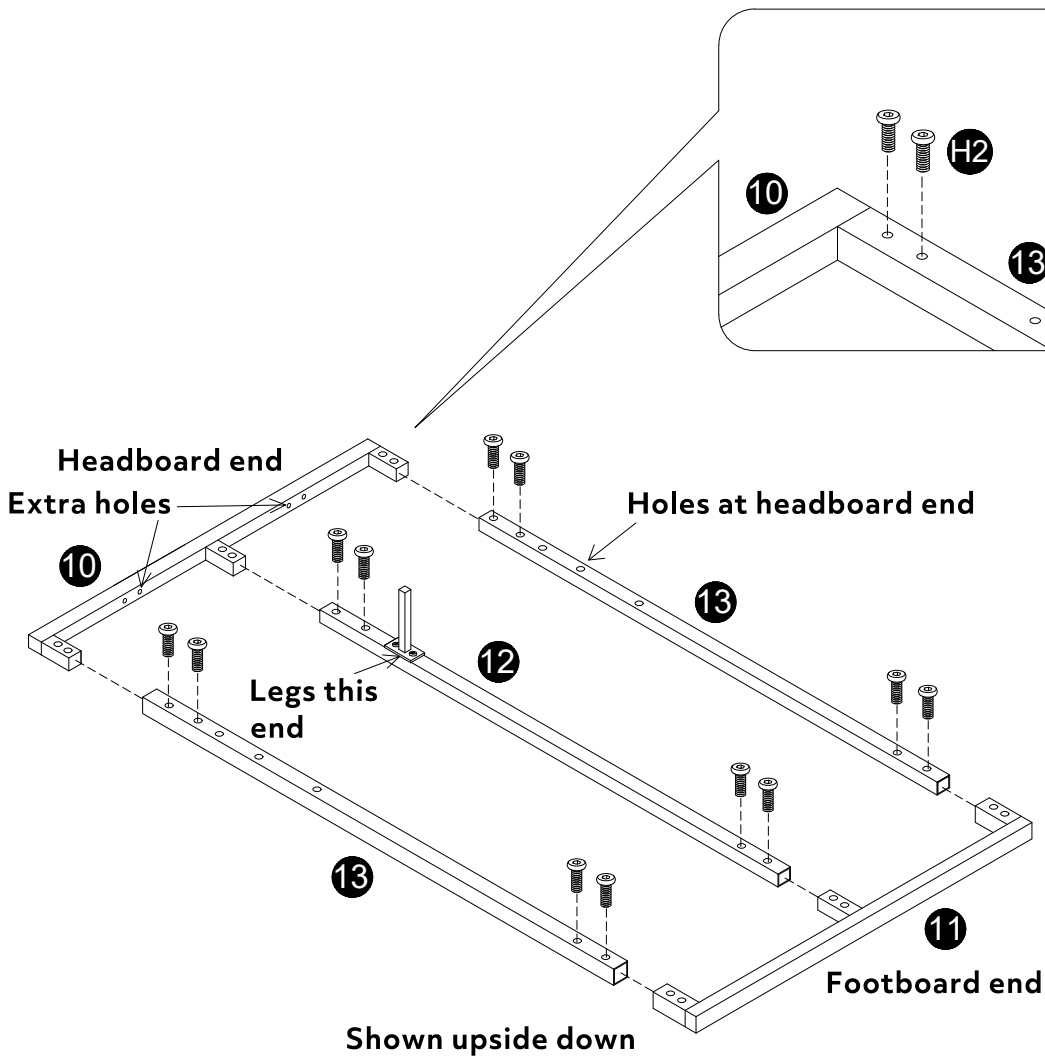
10



11

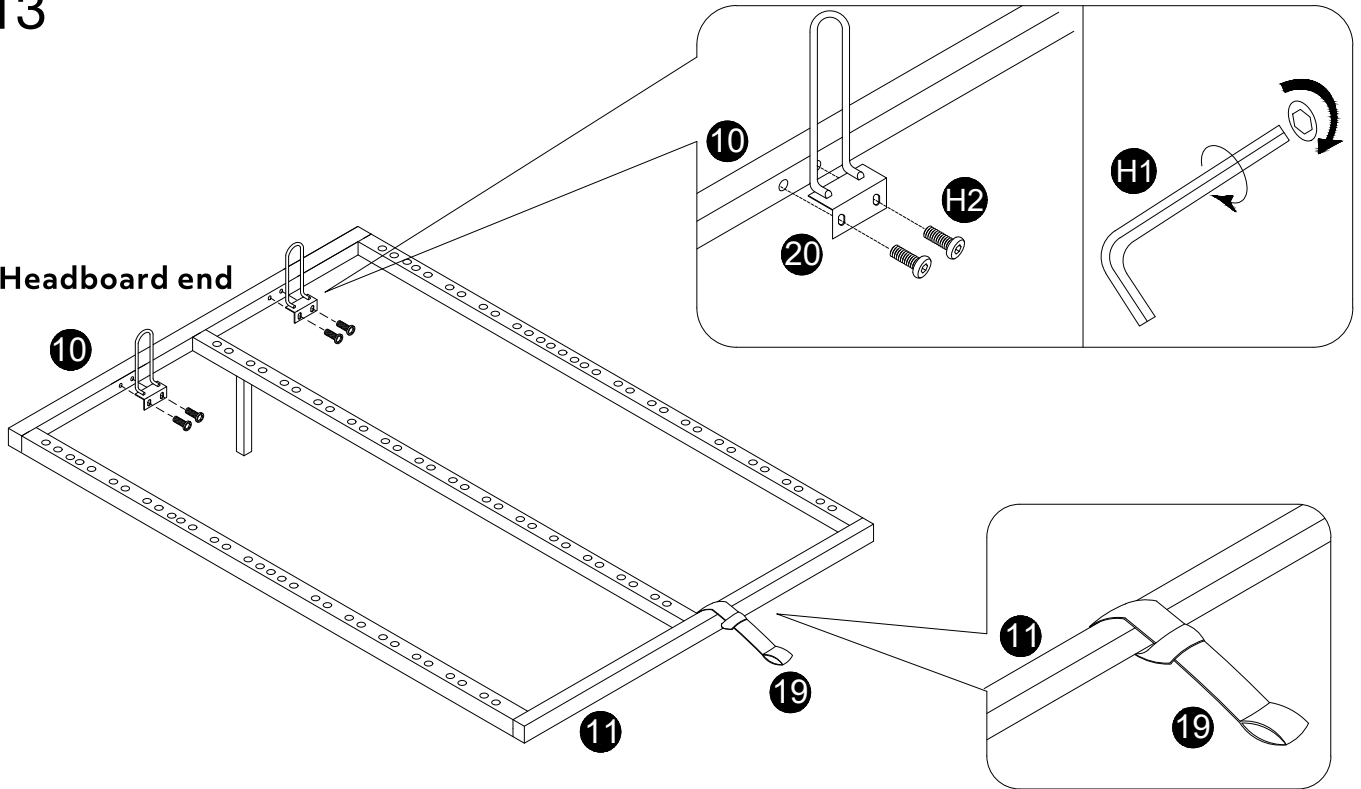


12

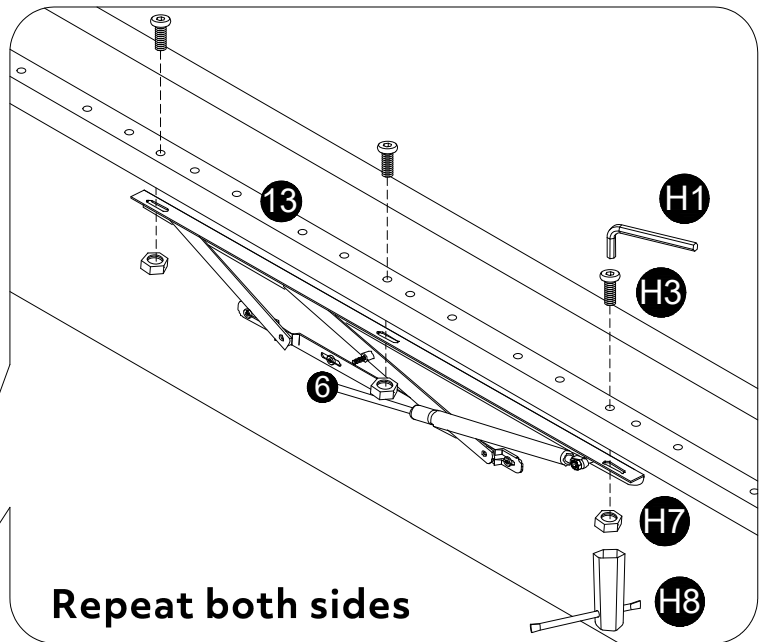
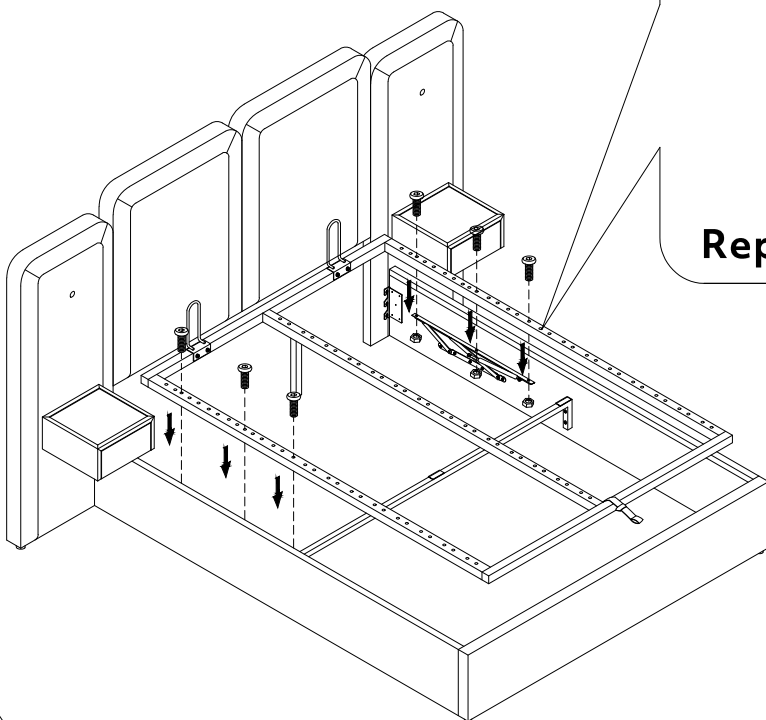


13

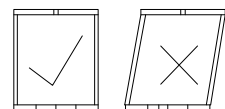
Headboard end



14

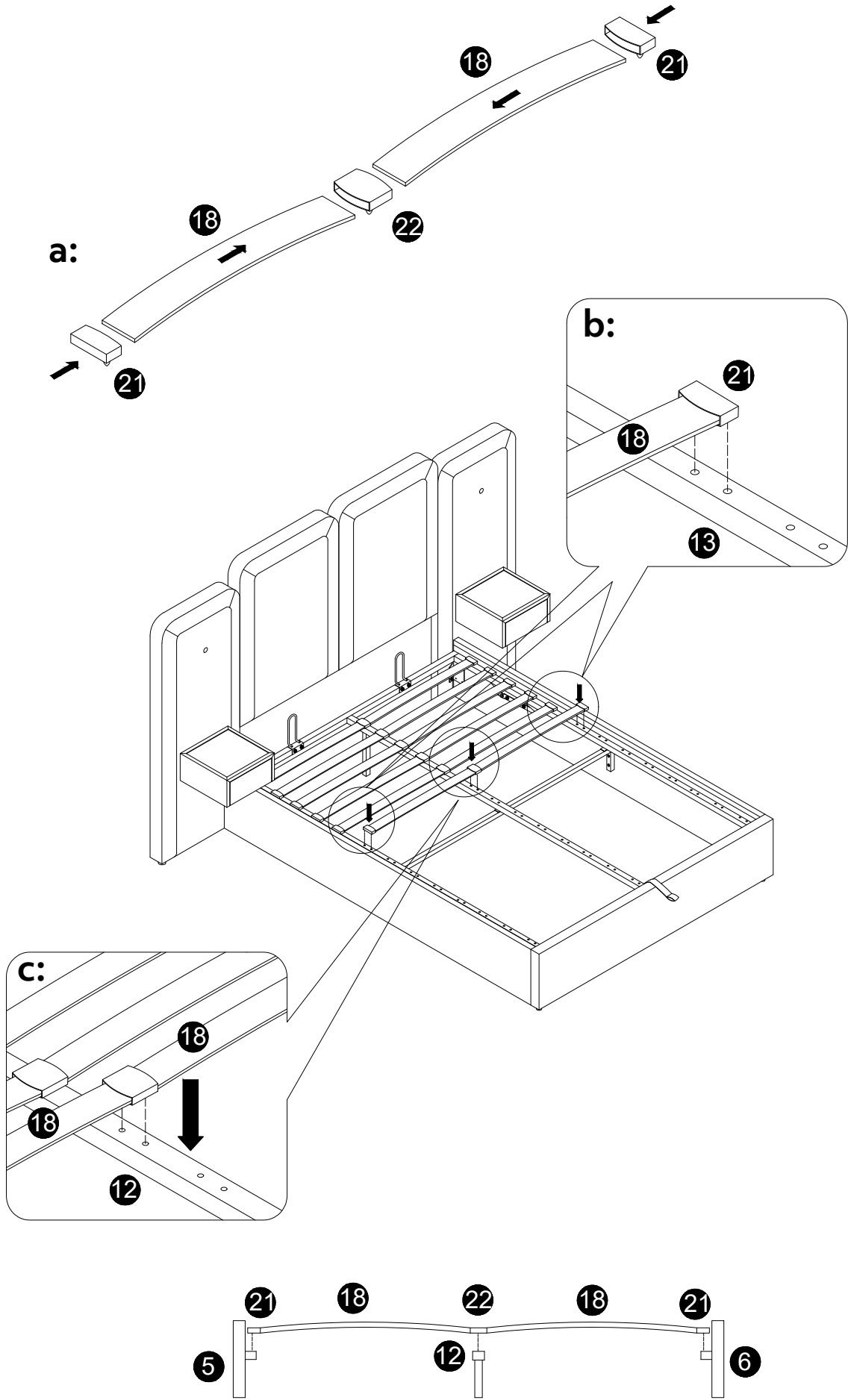


Beware of risk of entrapment from folding hinges!



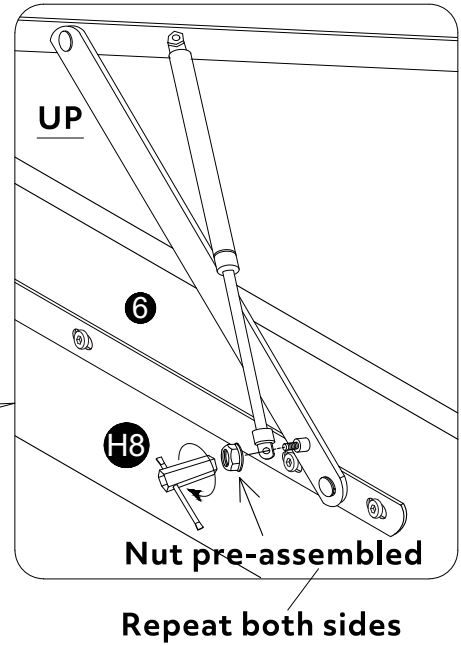
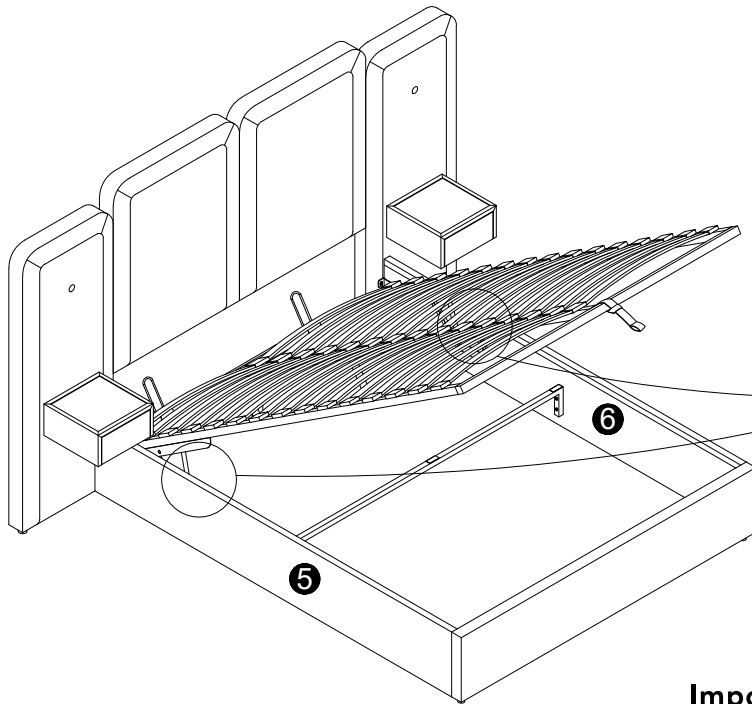
Ensure frame is square

15



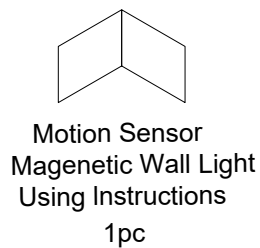
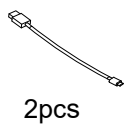
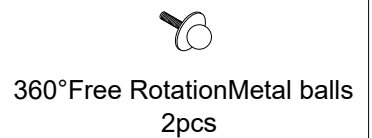
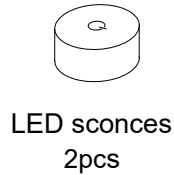
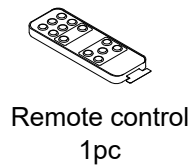
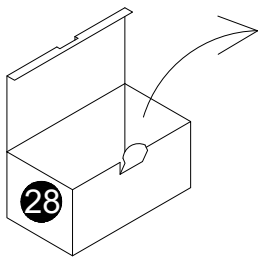
16

Warning: Two people required. Frame to be fully supported at all times!

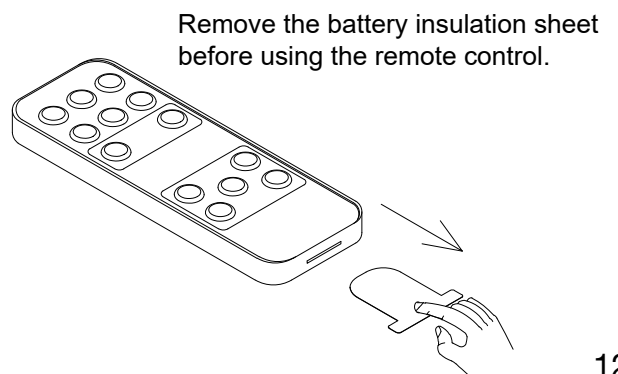
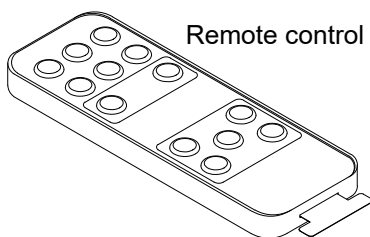


Important: Before proceeding, check and ensure all screws and fixings are fully tightened.

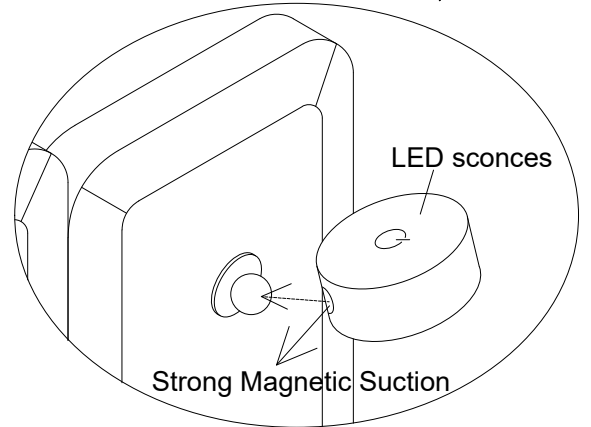
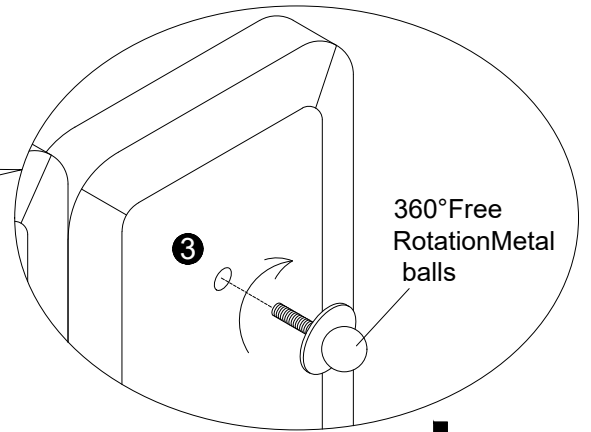
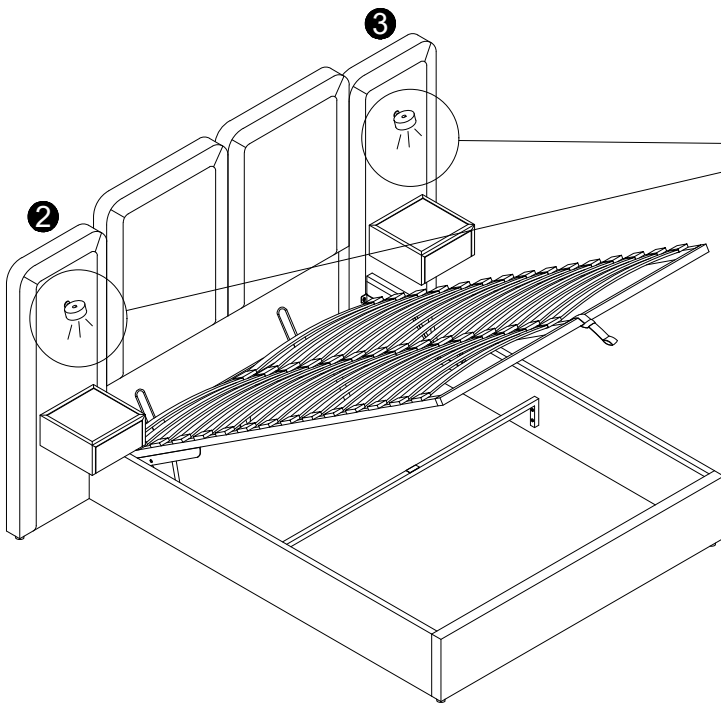
17



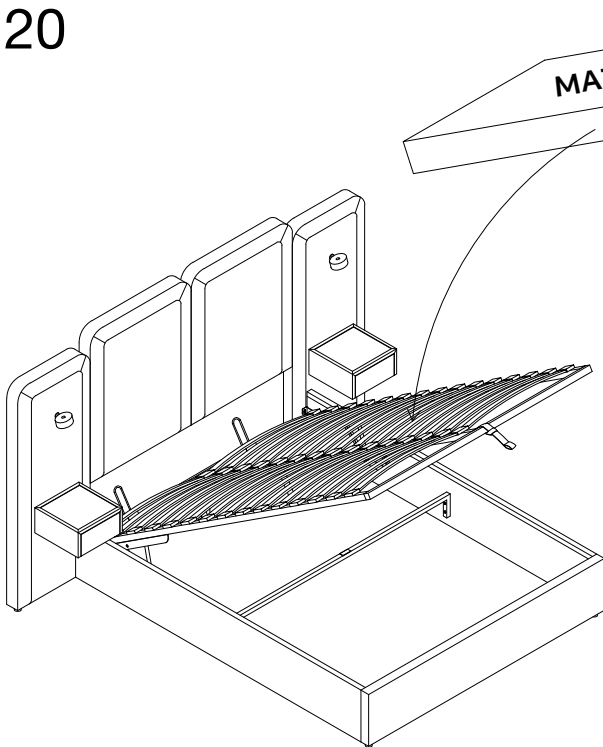
18



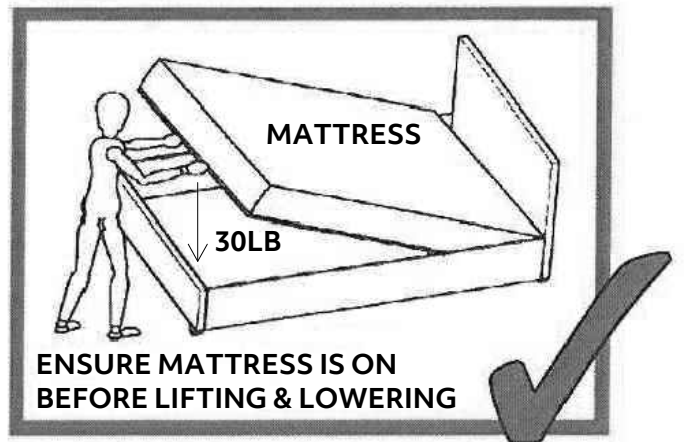
19



20



After placing the mattress on frame, push down the frame with 30lbs force.



Job Complete !

In the interest of our environment please dispose of all packaging thoughtfully.