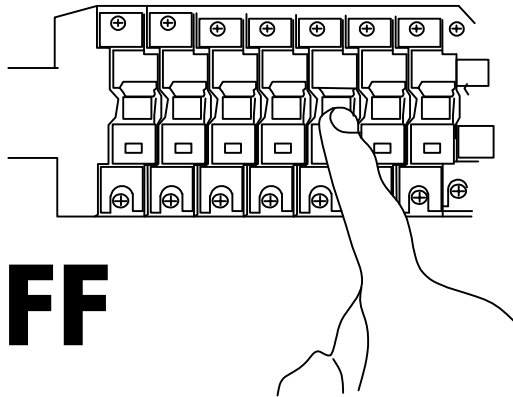


Installation sequence

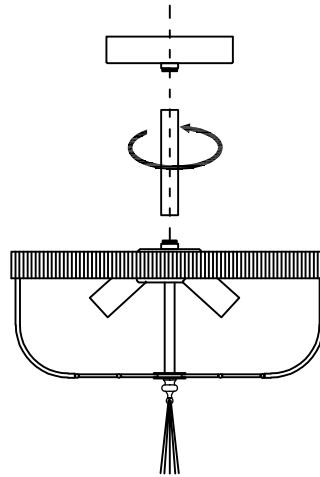
1



STEPS1

Turn off the power

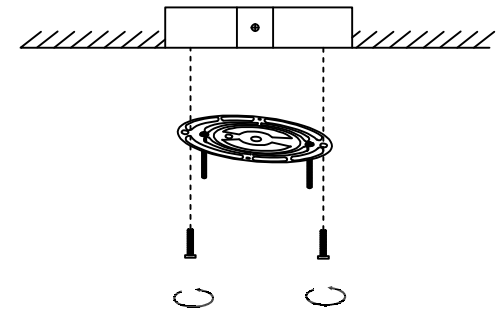
2



STEPS2

Install the connecting pipe and base

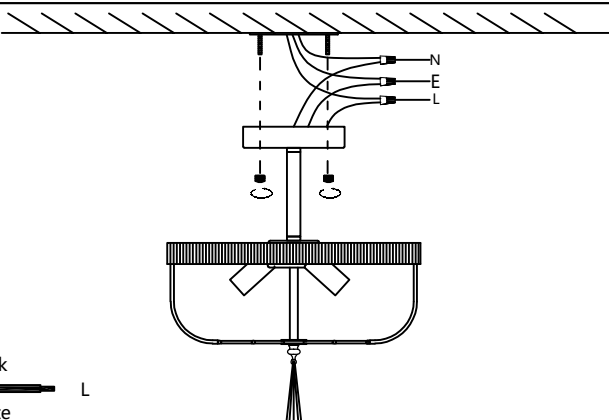
3



STEPS3

Install the bracket

4

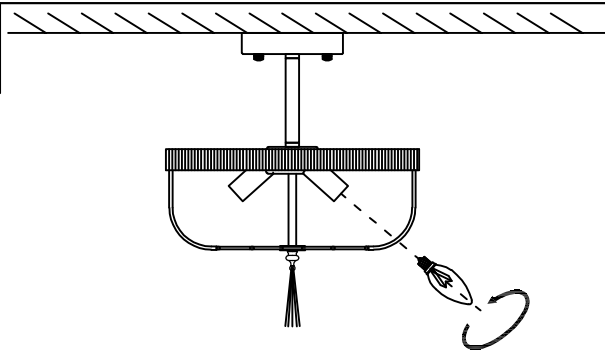


black — L
white — N
Earth — E

STEPS4

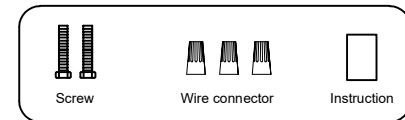
1. Connect the power cord of the lamp body to the reserved power supply Cable, pay attention to the positive and negative poles
2. Fix the lamp body to the bracket with nuts

5



STEPS5

Intall the bulb



Before installation, please check whether the accessories are complete. If you have any problem, please contact our customer service in time.

Note:

1. Voltage: 120V-60Hz
2. Bulb Type: E12 / MAX-40W
3. Before installation, please cut off the power supply to prevent electric shock.
4. Please be sure the installation step according to the company's instructions.