

# ASSEMBLY INSTRUCTIONS

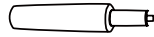
Ax5



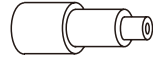
Bx1



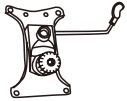
Cx1



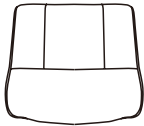
Dx1



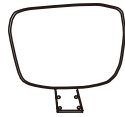
Ex1



Fx1



Gx2



Hx1



Ix12



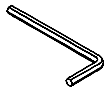
M6x25mm

Jx4

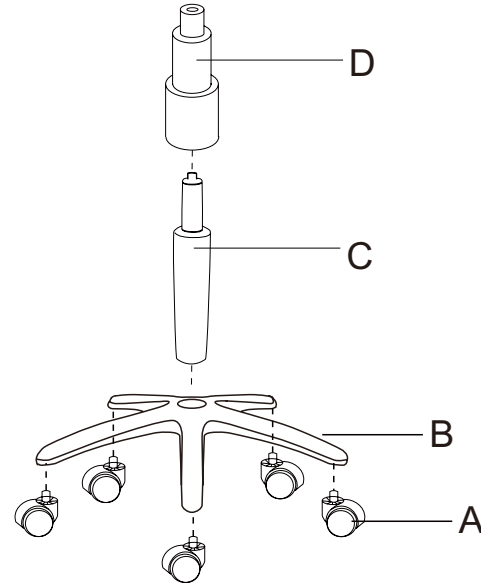


M6x20mm

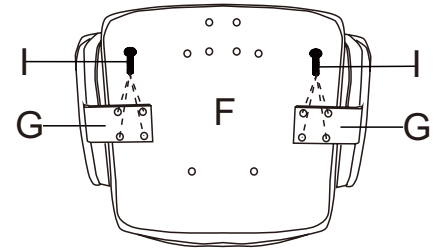
Kx1



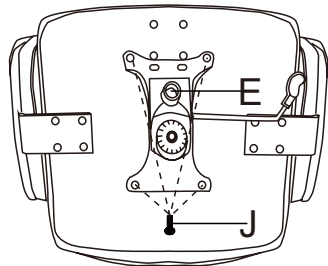
STEP 1



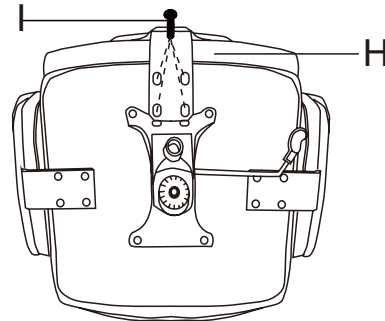
STEP 2



STEP 3



STEP 4



STEP 5

