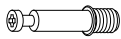




UPDF

WWW.UPDF.CN

x 24



Φ6x35mm

B

x 24



Φ15x9mm

C

x 22



Φ6x30mm

D

x 8



M3.5x12mm

E

x 2



M3x10mm

F

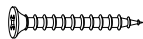
x 2



M3.5x14mm

G

x 8



M4x35mm

H

x 12



M4x20mm

I

x 3

J

x 3



K

x 2



L

x 1



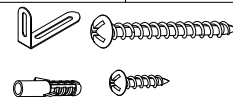
M

x 1



N

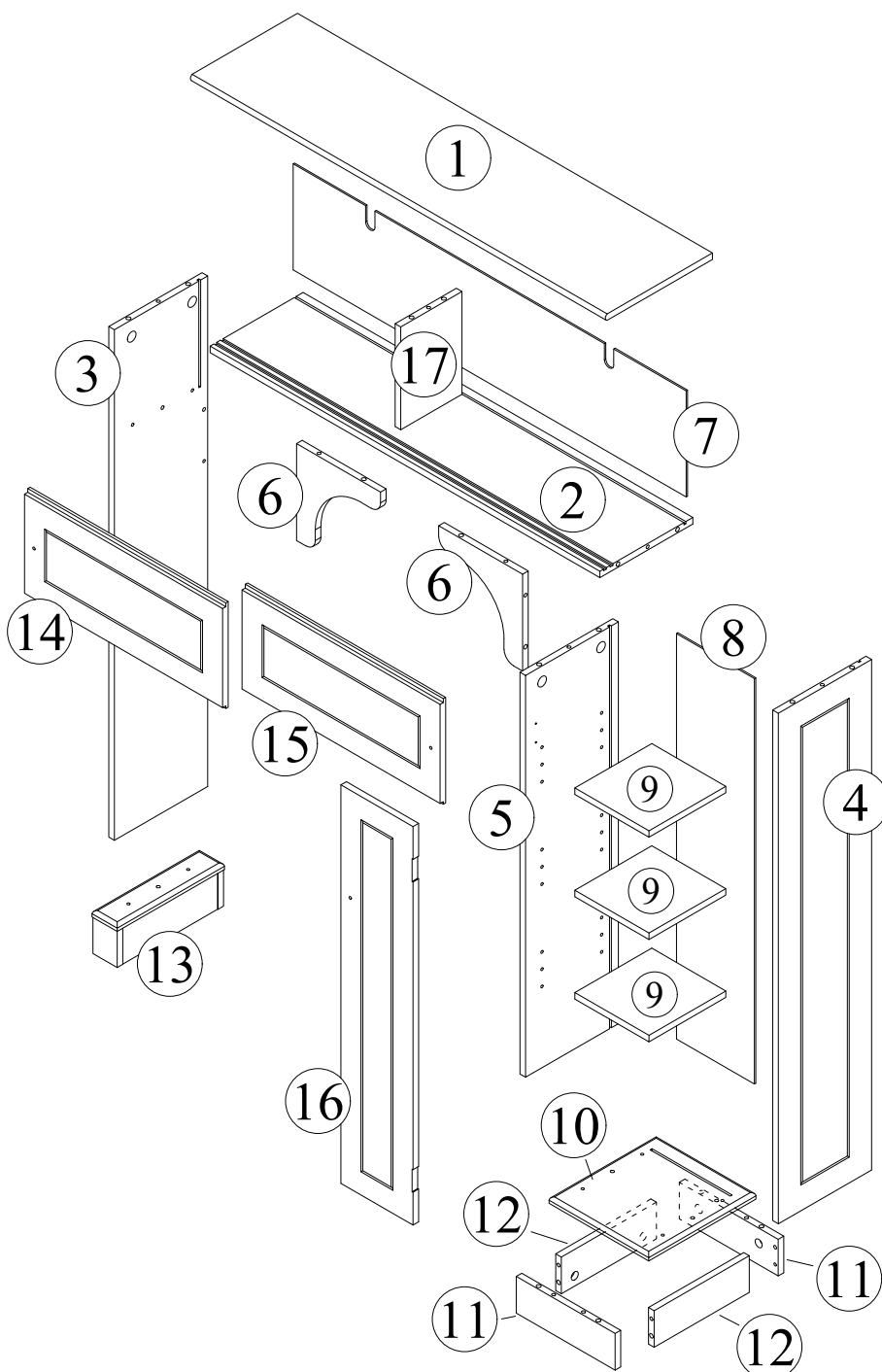
x 2

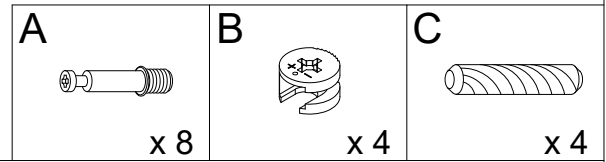
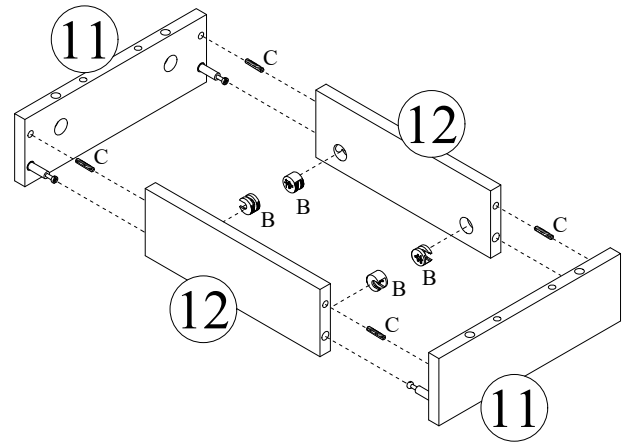
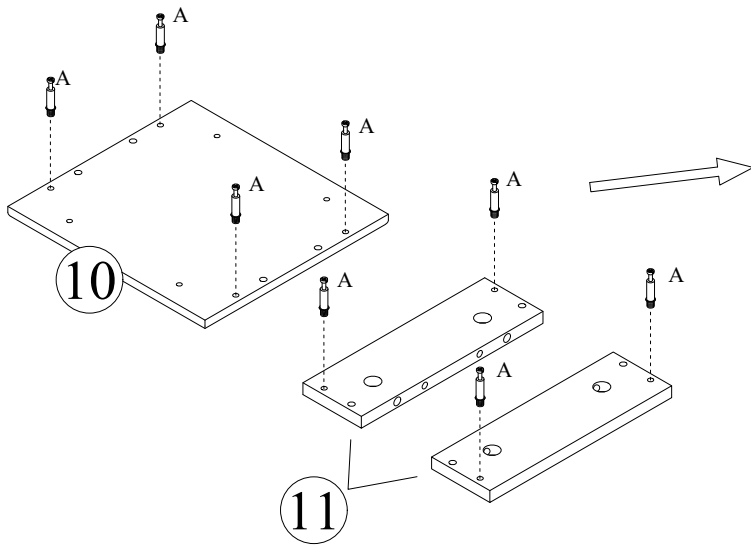


M4x35mm/M4x12mm

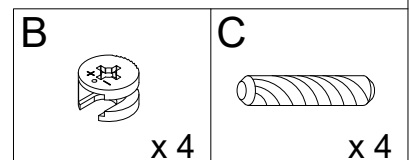
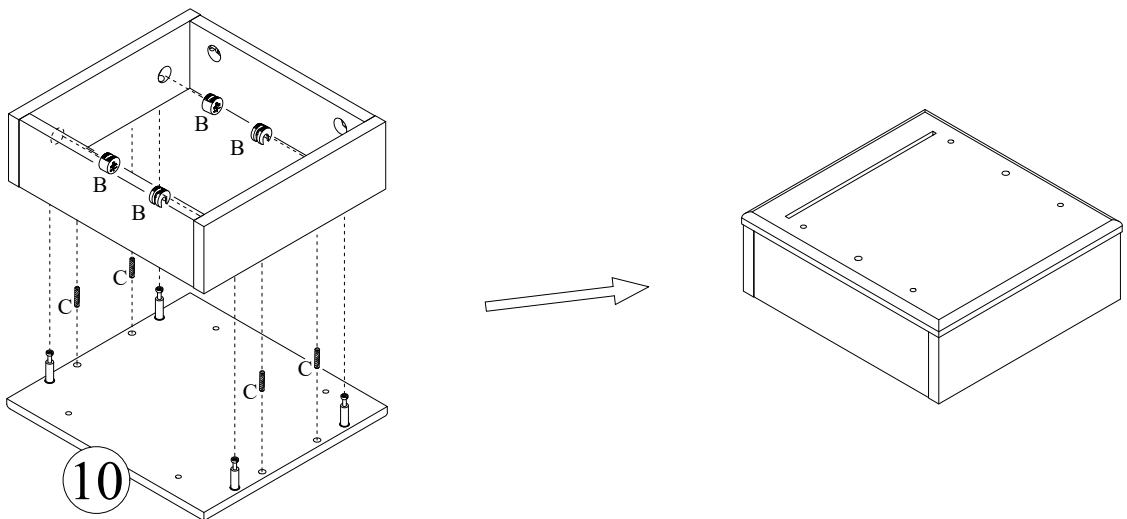
O

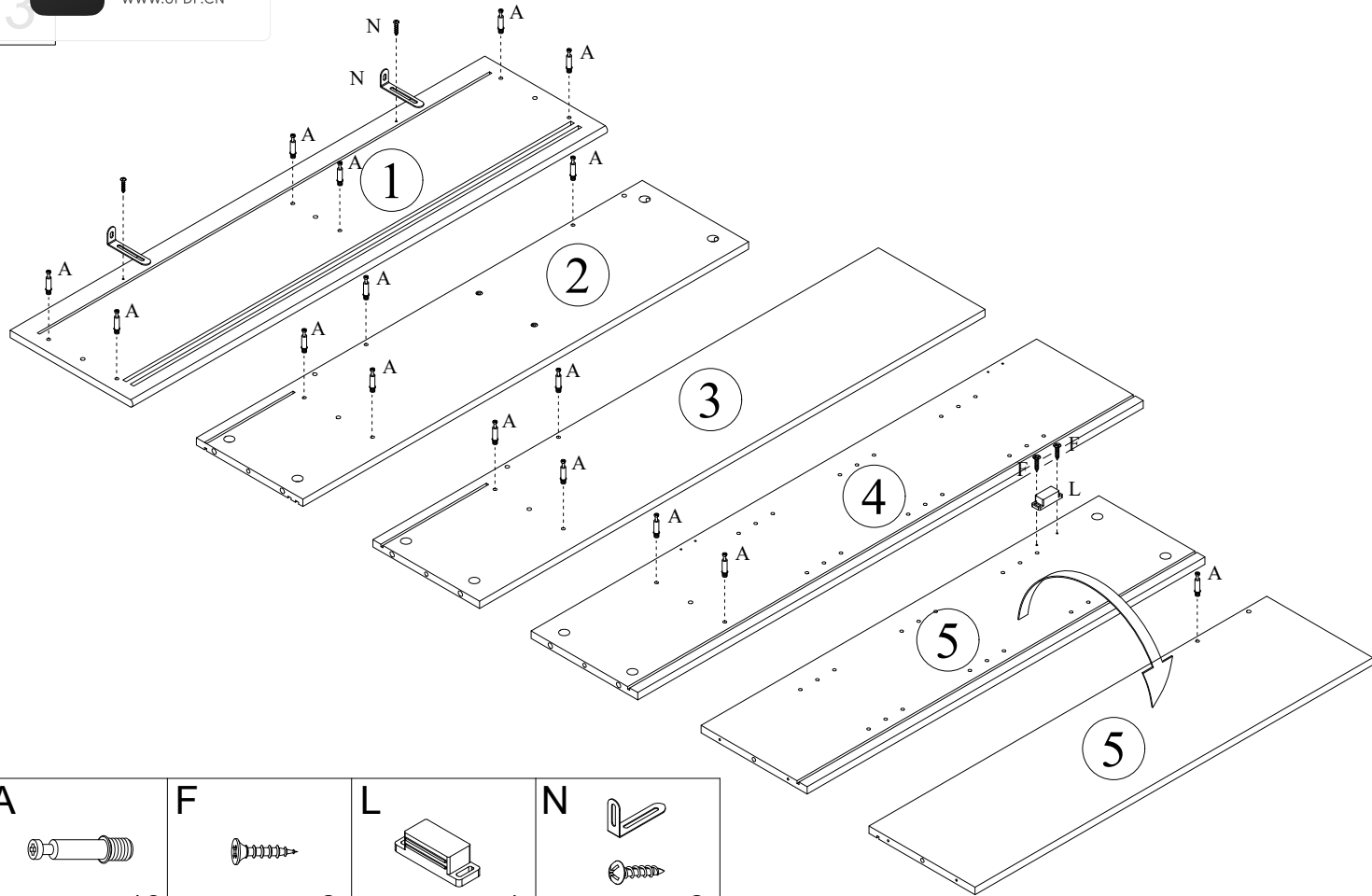
x 8

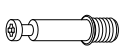
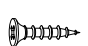
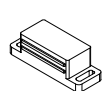
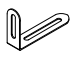




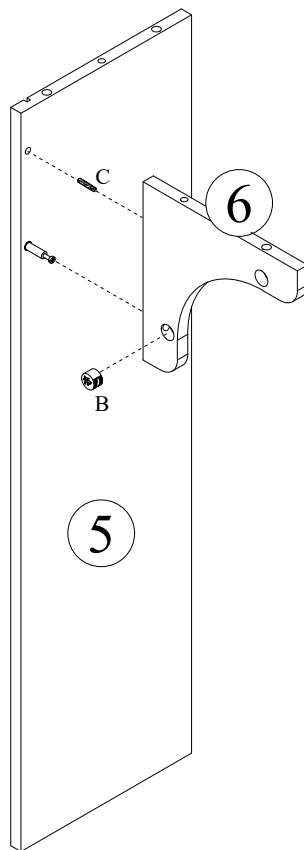
2


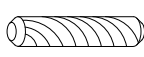


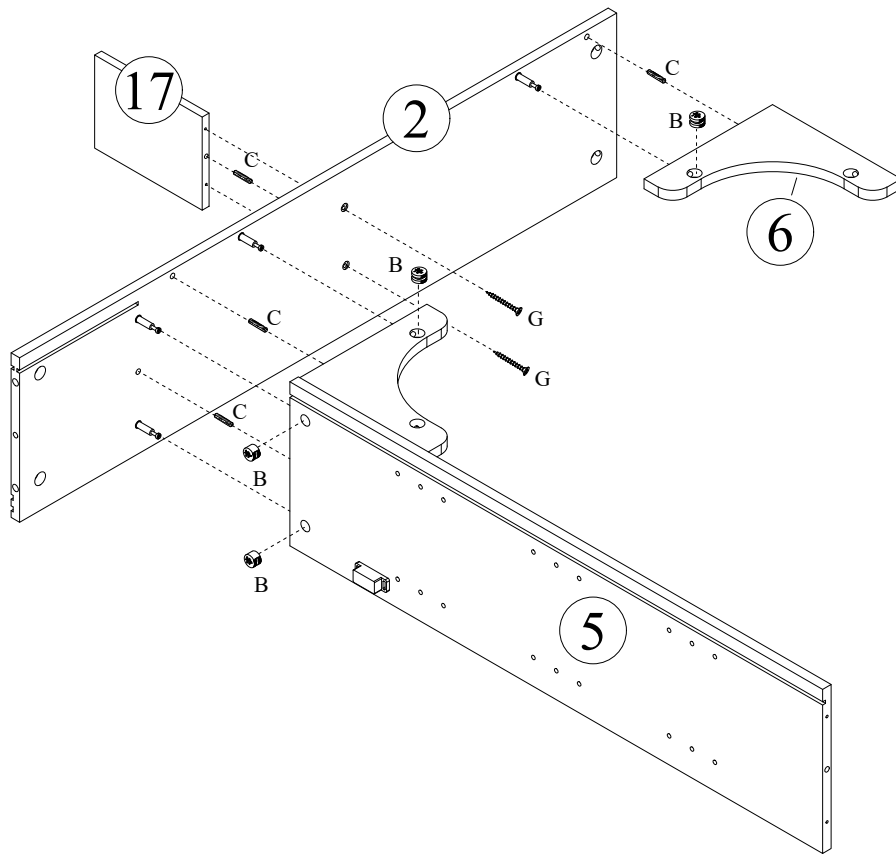


<p>A</p>  <p>x 16</p>	<p>F</p>  <p>x 2</p>	<p>L</p>  <p>x 1</p>	<p>N</p>  <p>x 2</p>
---	---	---	---

4

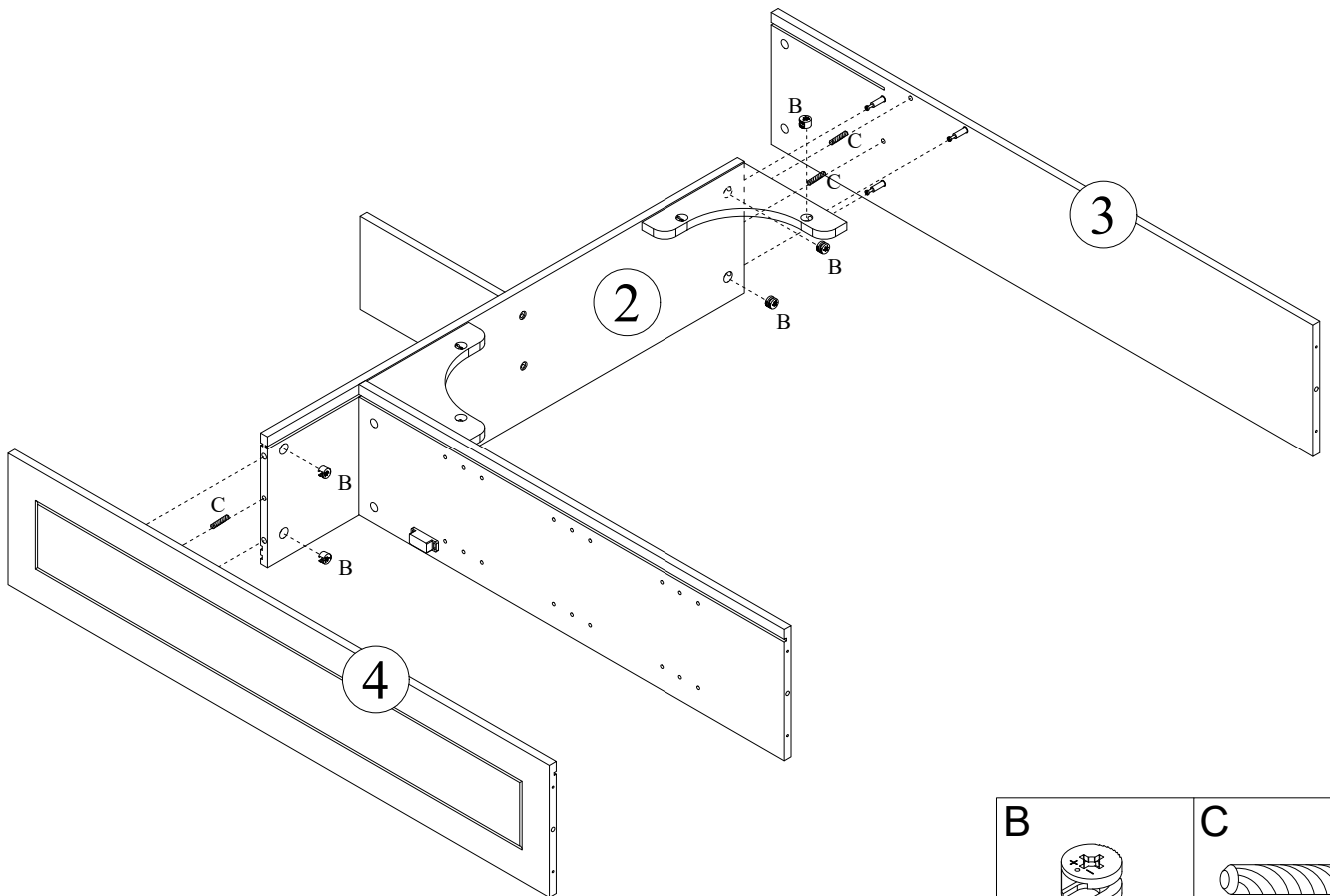


<p>B</p>  <p>x 1</p>	<p>C</p>  <p>x 1</p>
--	--

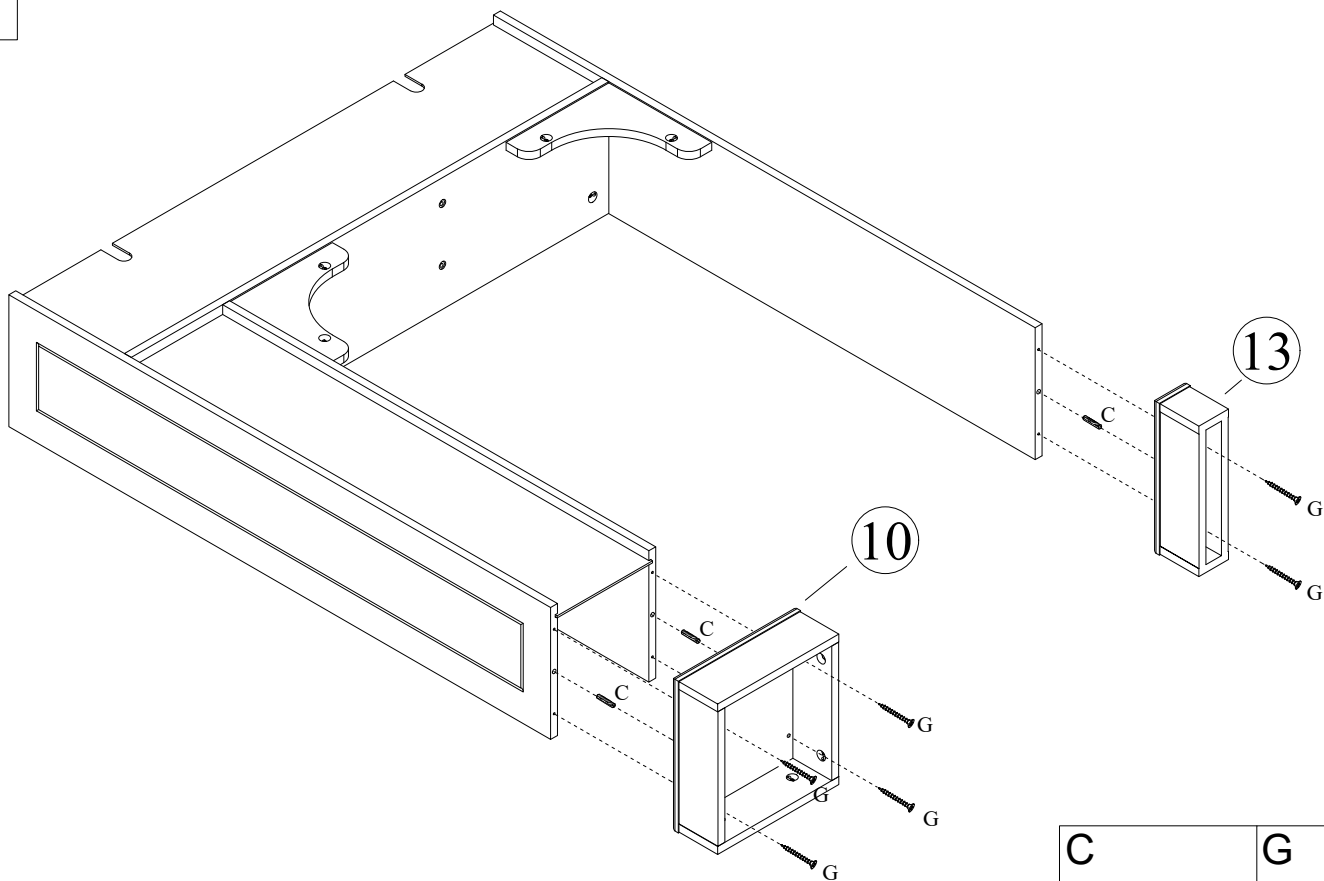
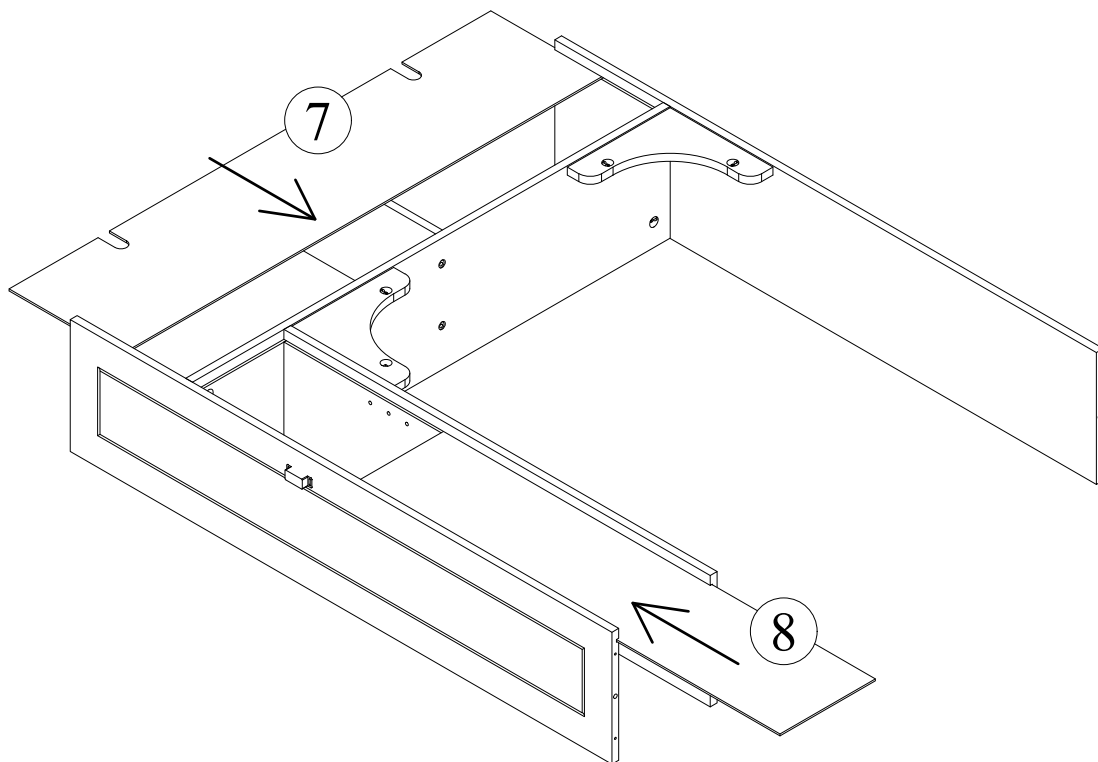


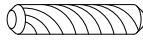
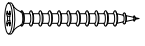
B		x 4
C		x 4
G		x 2

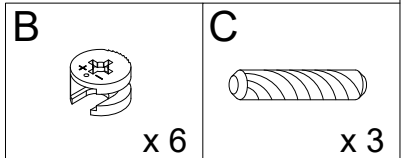
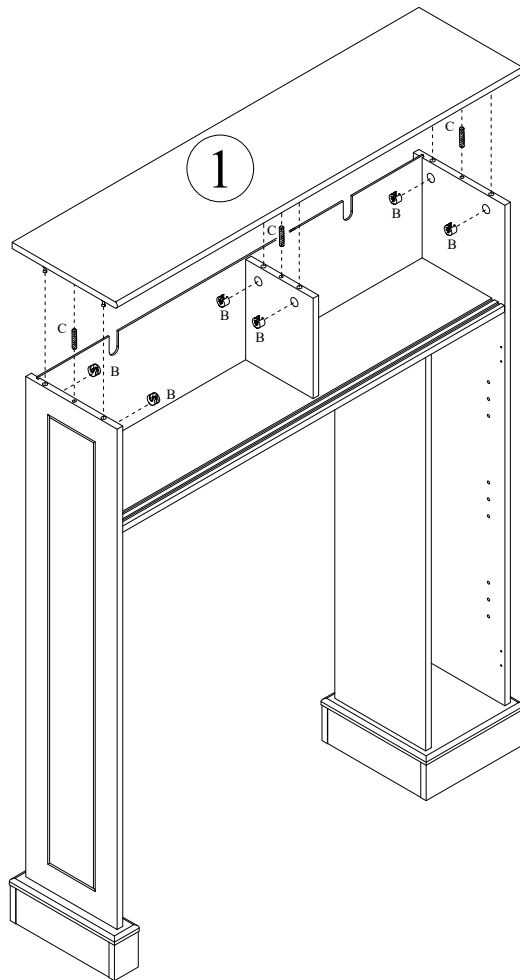
6



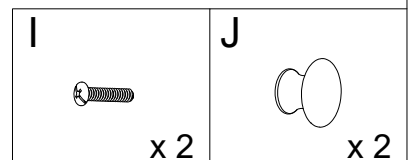
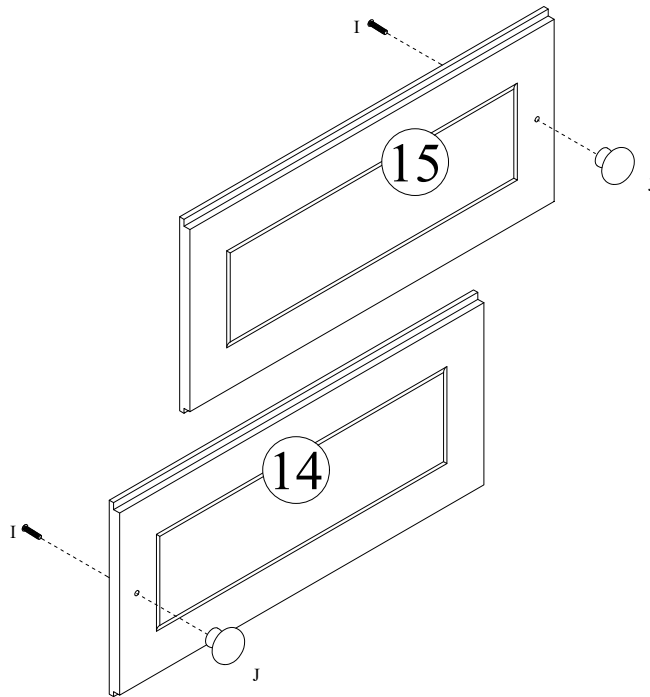
B		x 5
C		x 3



C  x 3	G  x 6
--	--

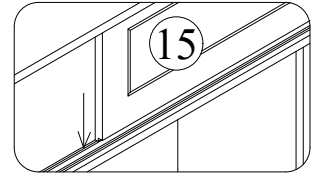
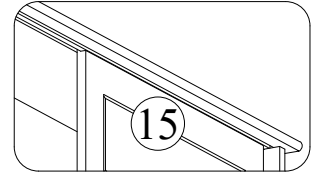
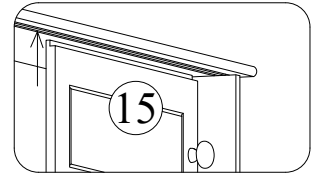
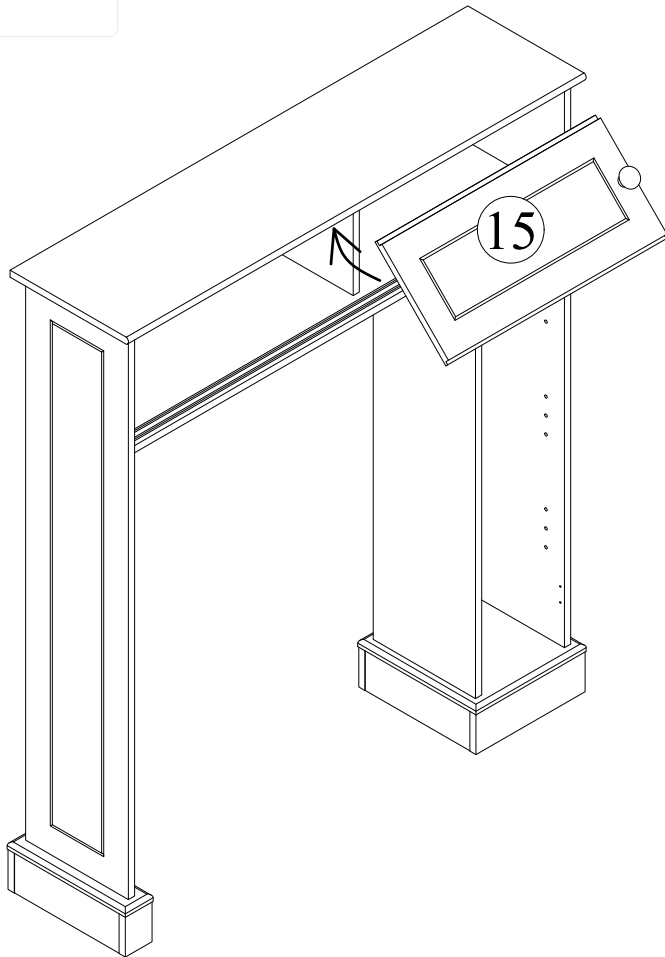


10

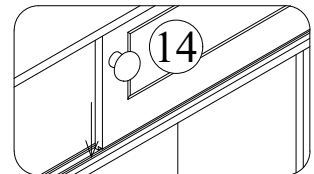
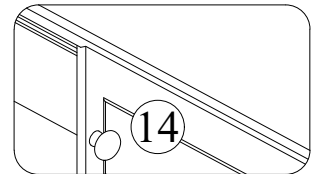
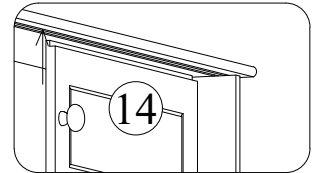
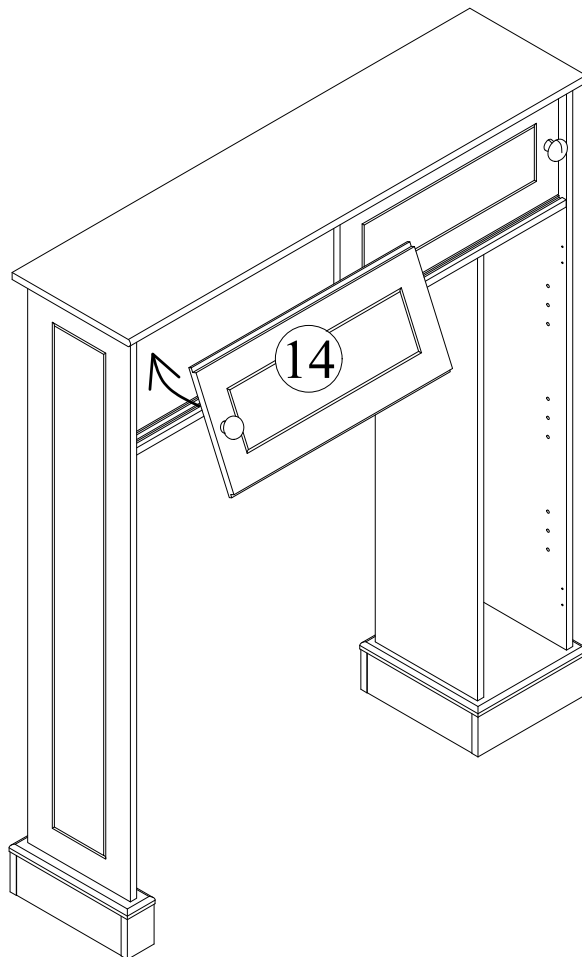


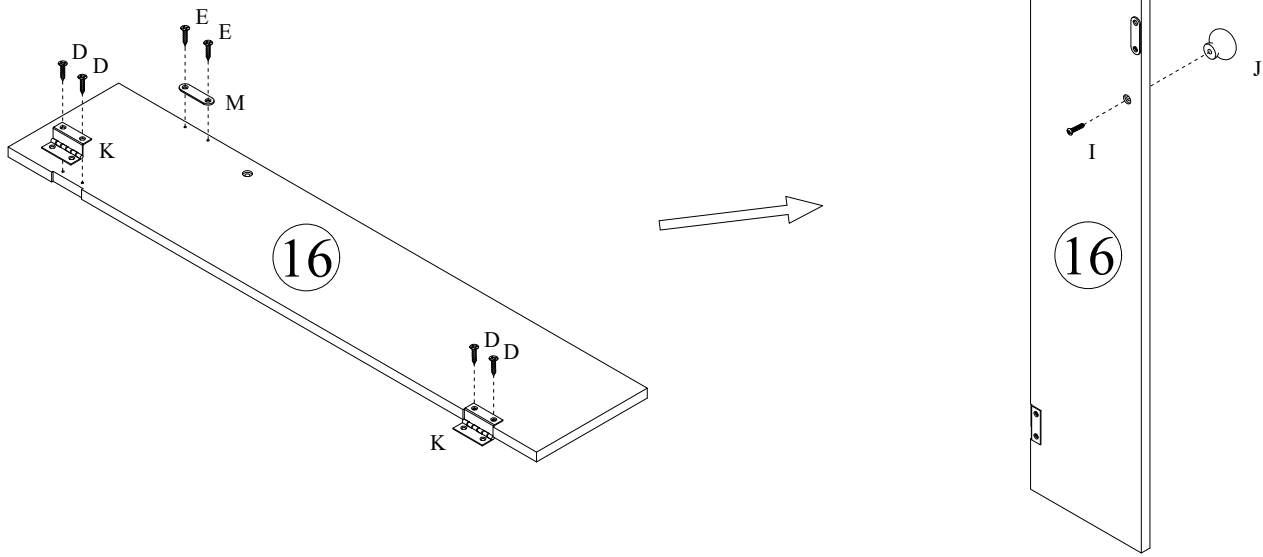



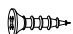


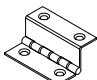

11

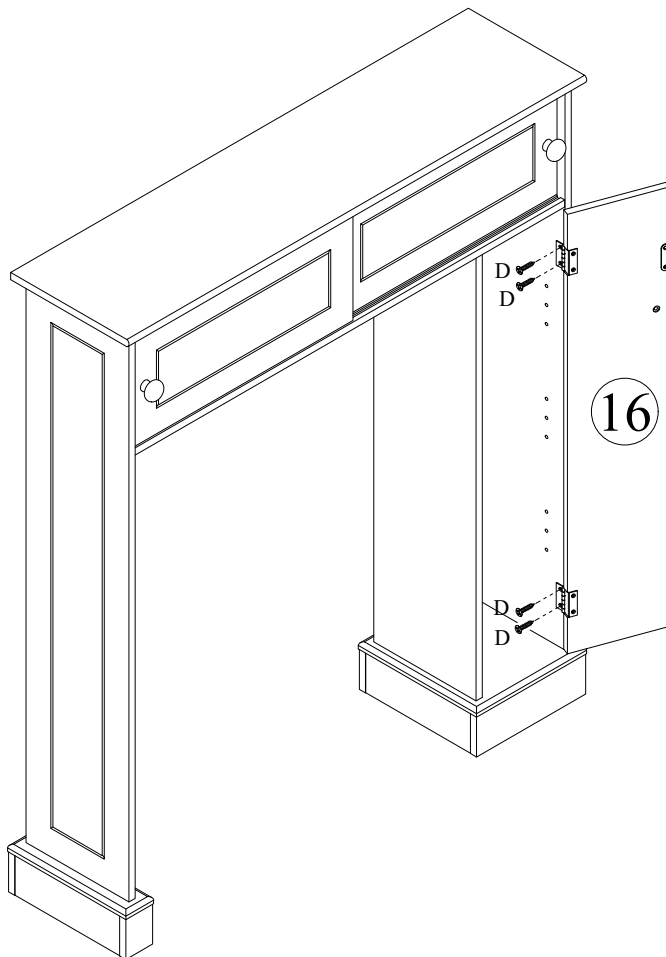



12

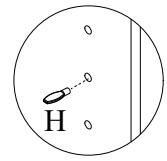
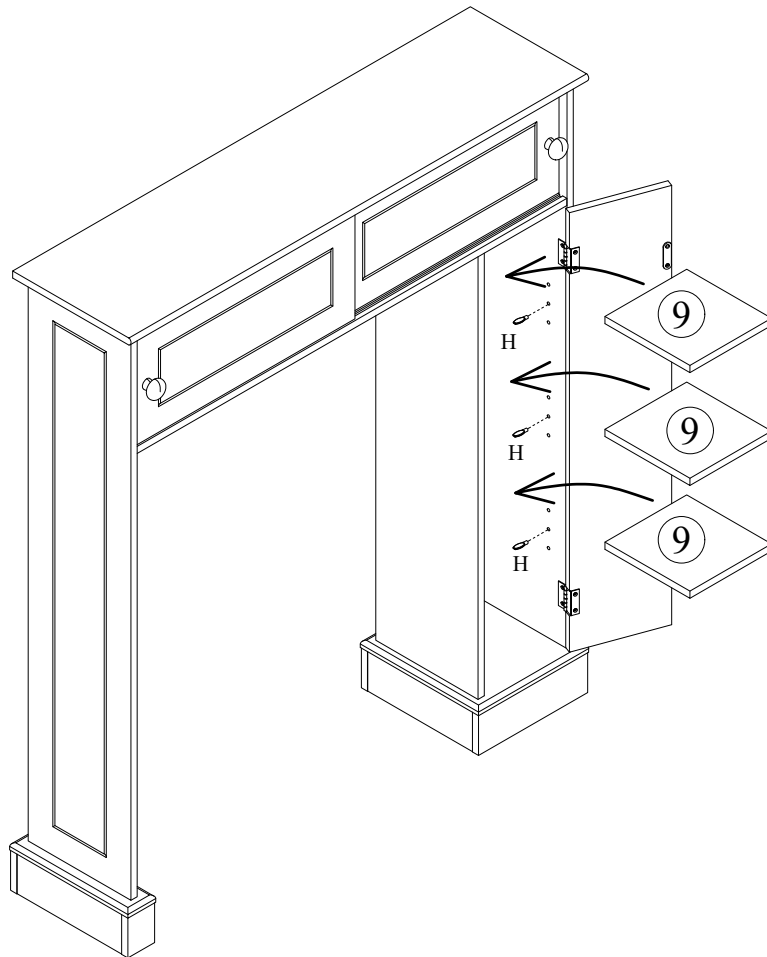




<p>D</p>  <p>x 4</p>	<p>E</p>  <p>x 2</p>	<p>I</p>  <p>x 1</p>	<p>J</p>  <p>x 1</p>	<p>K</p>  <p>x 2</p>	<p>M</p>  <p>x 1</p>
--	--	--	---	---	---



<p>D</p>  <p>x 4</p>
--



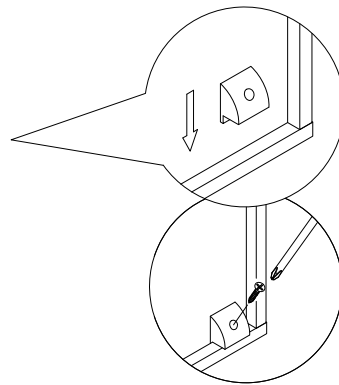
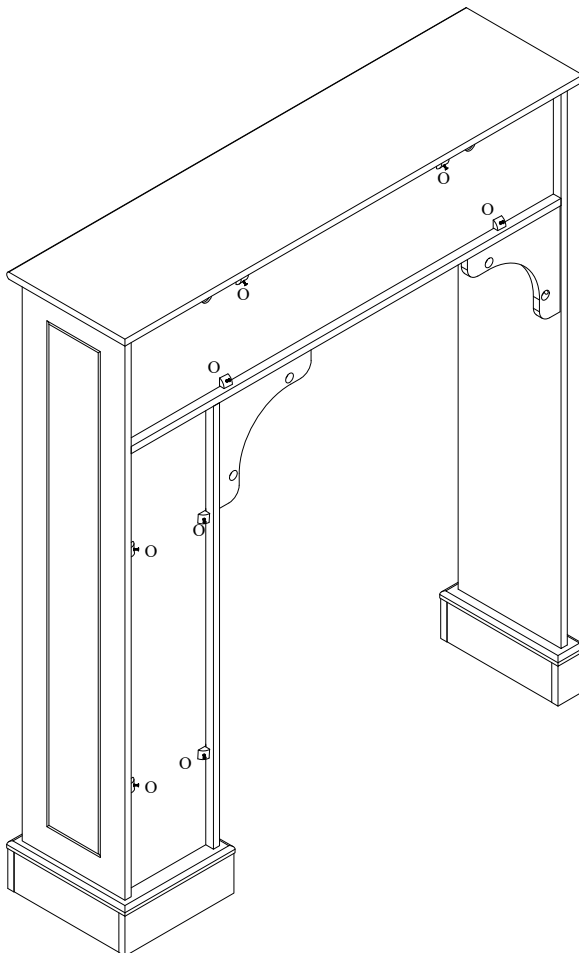
x 12

H



x 12

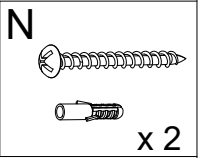
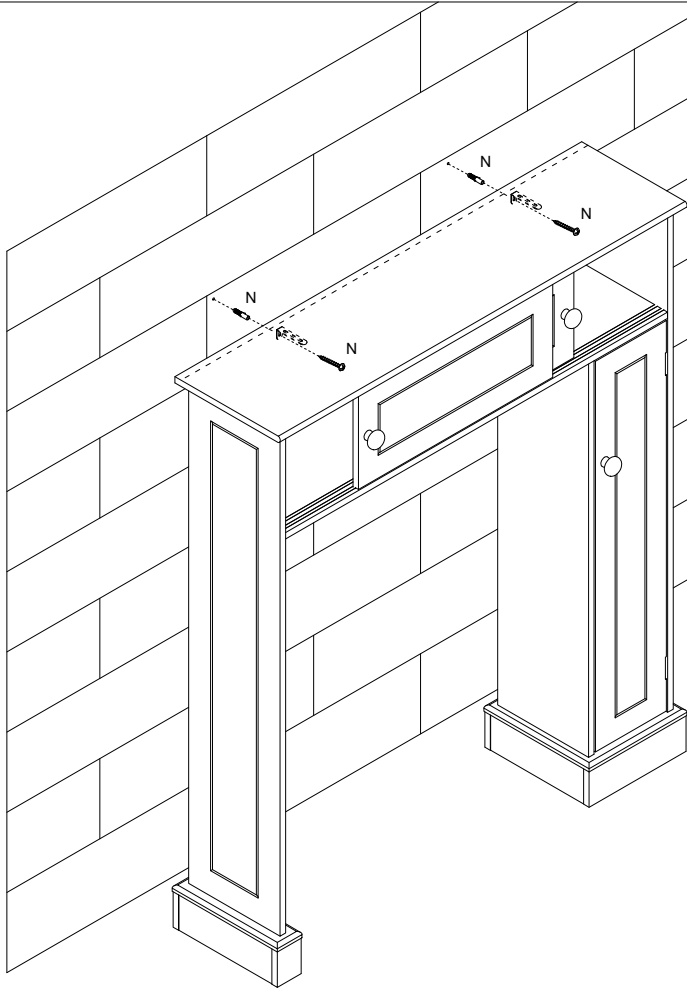
16



O



x 8



18

