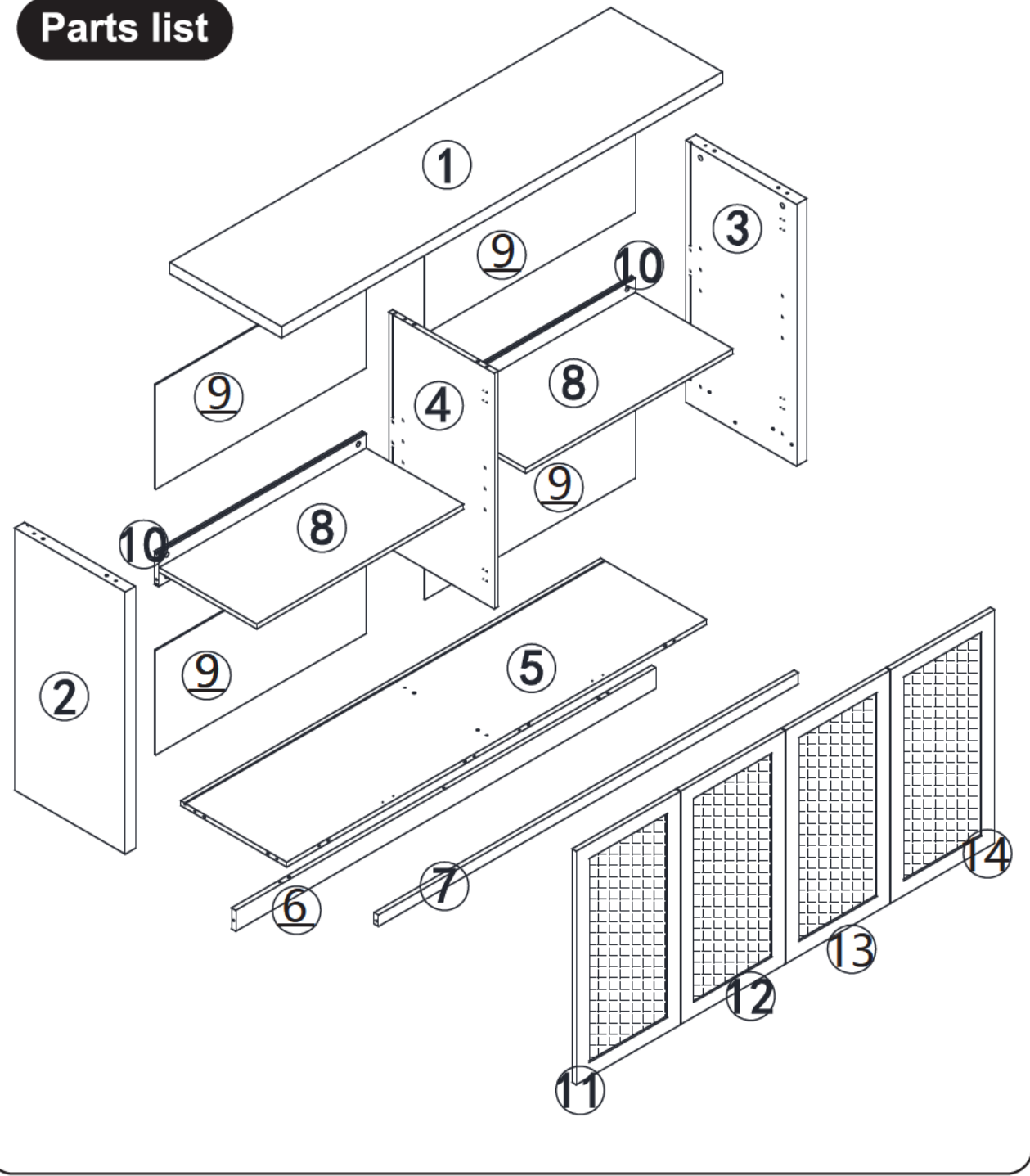
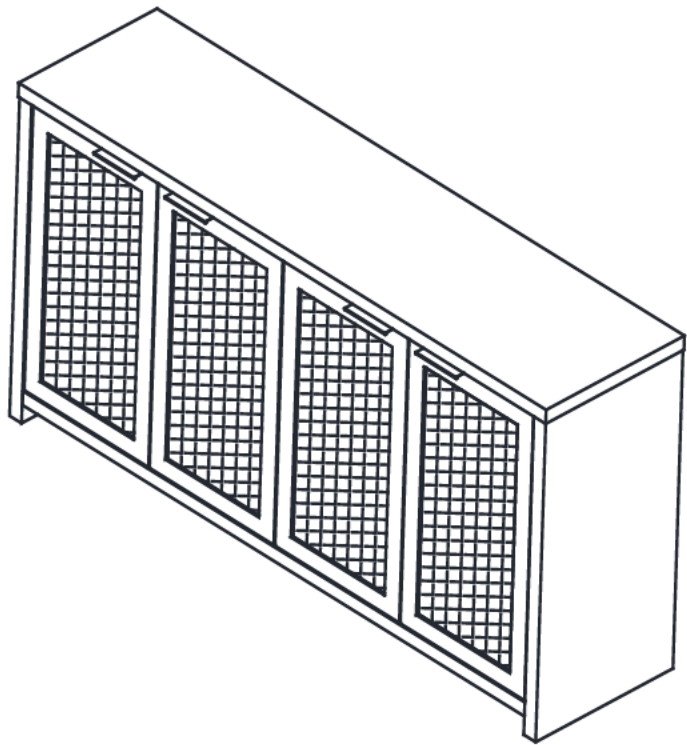























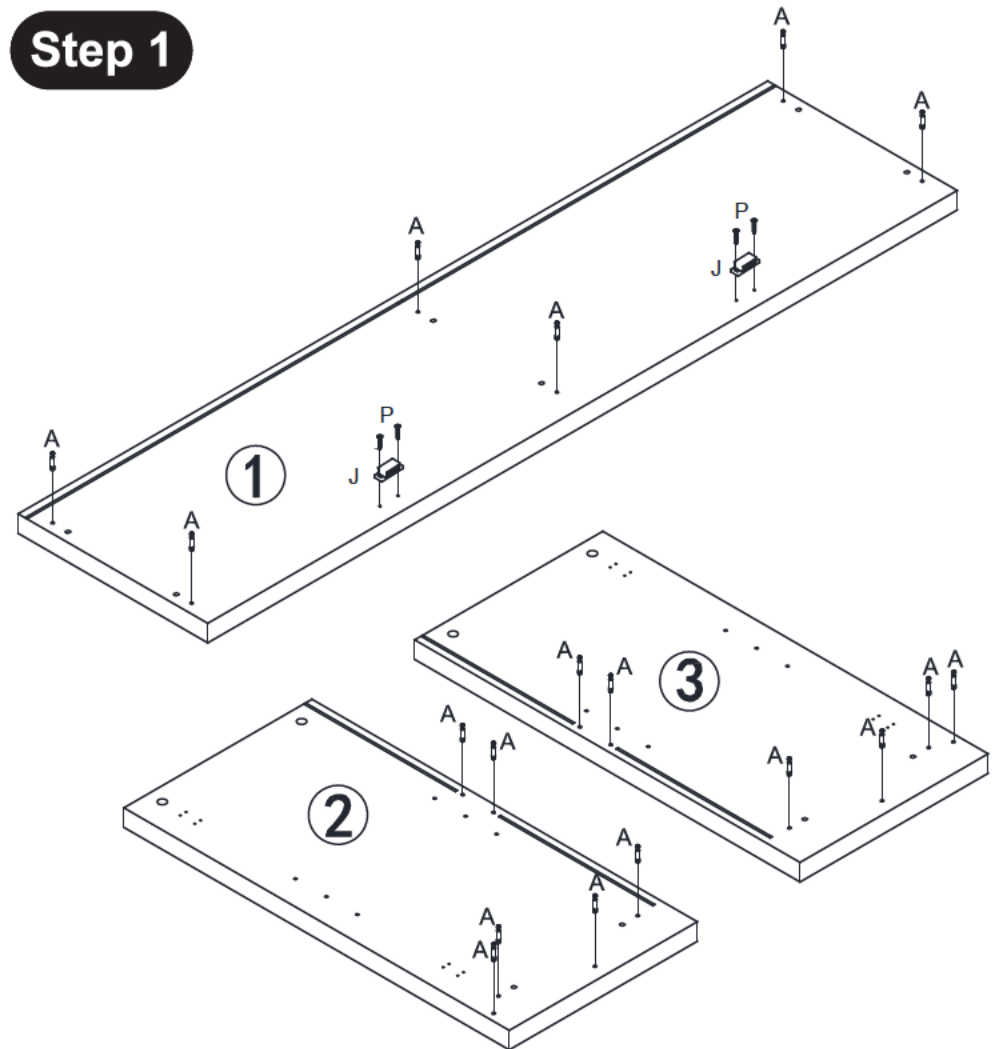
# Parts list






## Hardware list

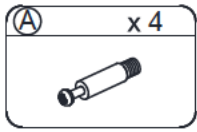
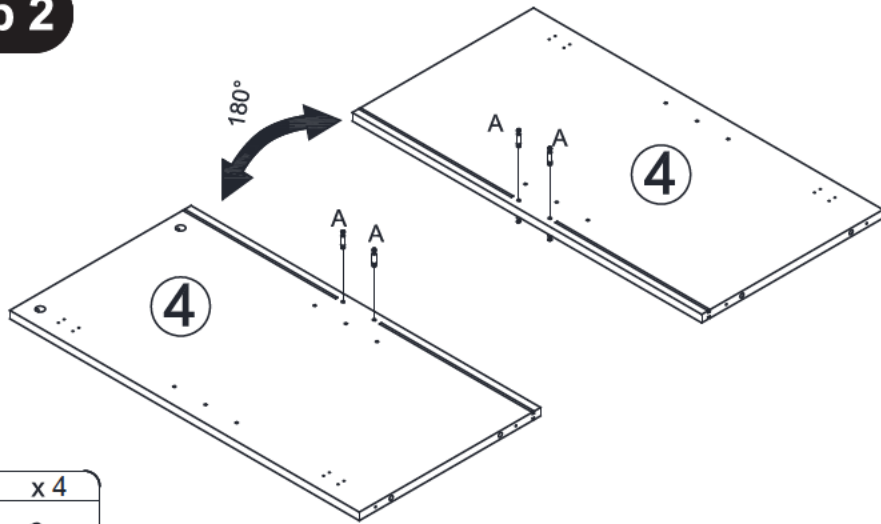
<b>A</b> x29 	<b>B</b> x29 	<b>C</b> x18 $\phi 8 \times 30 \text{MM}$ 	<b>D</b> x2 $\phi 4 \times 35 \text{MM}$ 	<b>E</b> x16 $\phi 3 \times 12 \text{MM}$ 
<b>F</b> x4 	<b>G</b> x12 	<b>P</b> x20 $\phi 3 \times 16 \text{MM}$ 	<b>I</b> x8 	<b>J</b> x4 
<b>K</b> x8 	<b>L</b> x29 	<b>M</b> x4 $\phi 26$ 	<b>N</b> x4 $\phi 26$ 	<b>O</b> x48 $\phi 3.5 \times 14 \text{MM}$ 
<b>H</b> x2      				

## Step 1

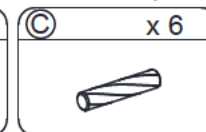
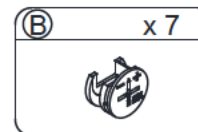
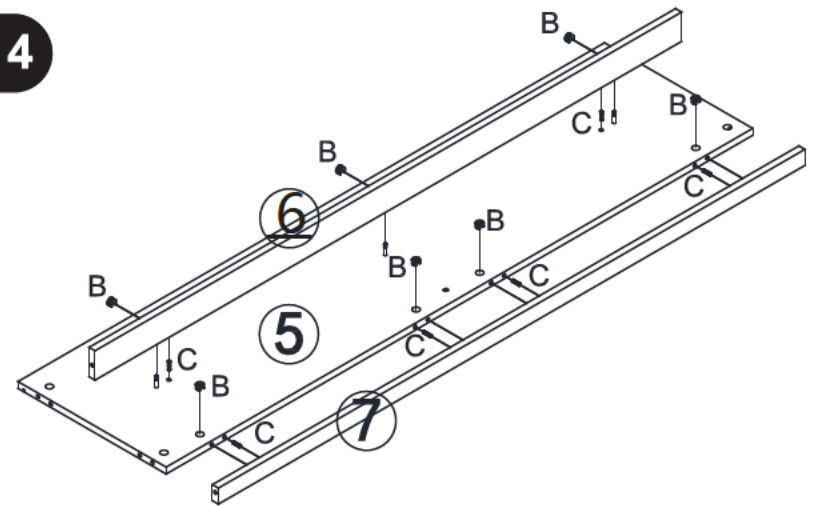


<b>A</b> x18 	<b>P</b> x4 	<b>J</b> x2 
---	--	--

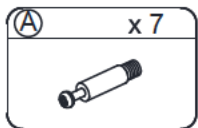
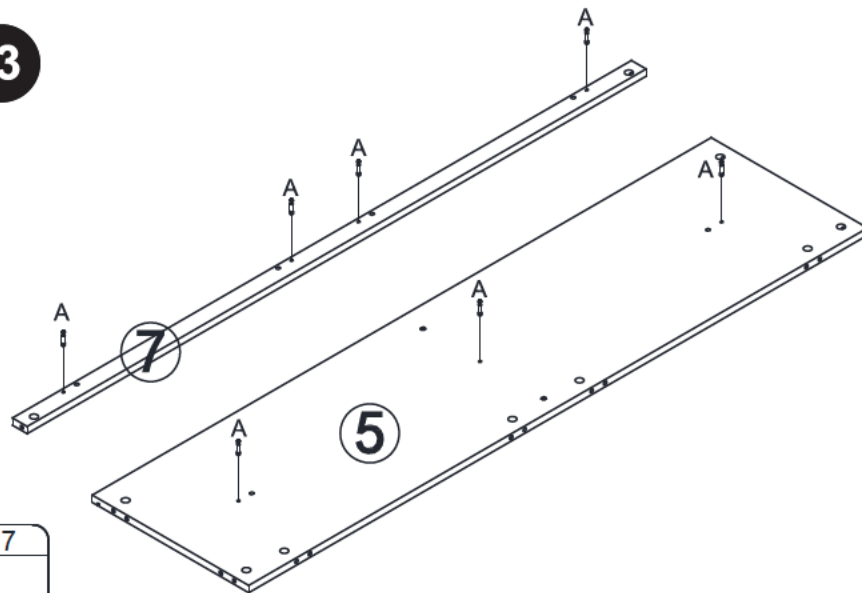
### Step 2



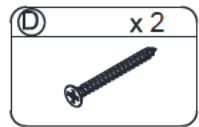
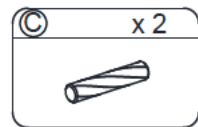
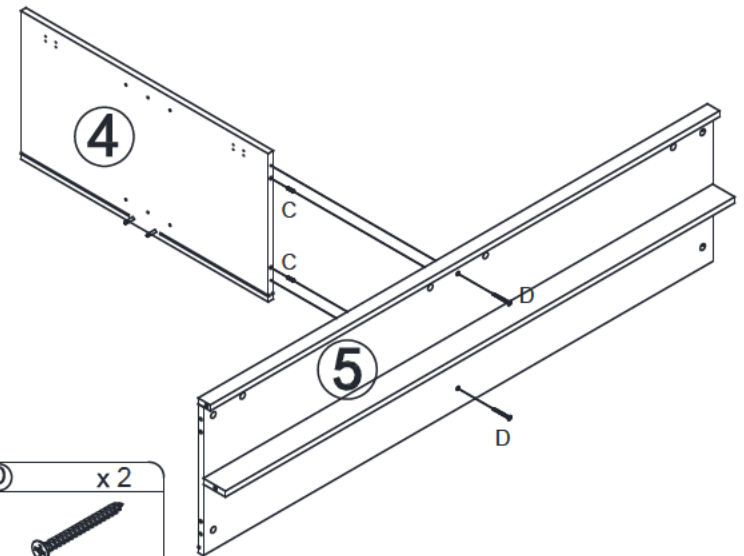
### Step 4



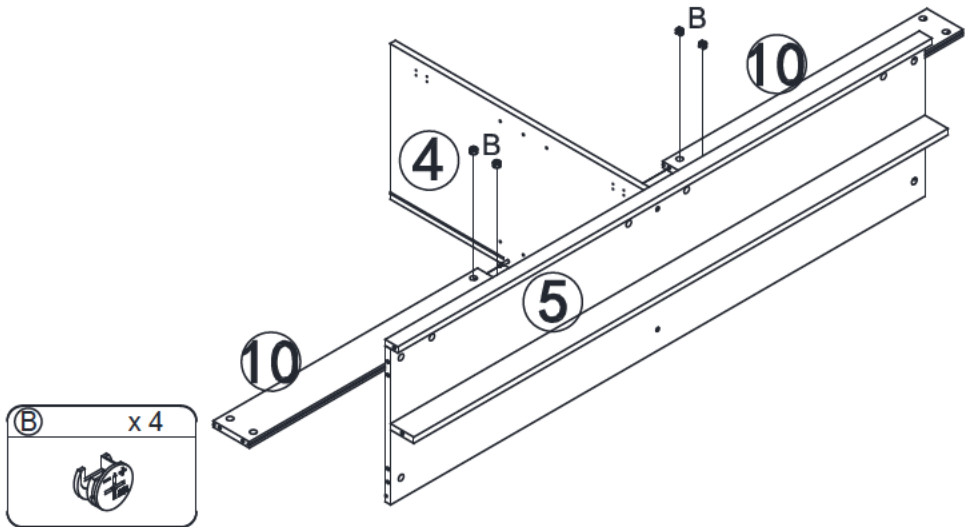
### Step 3



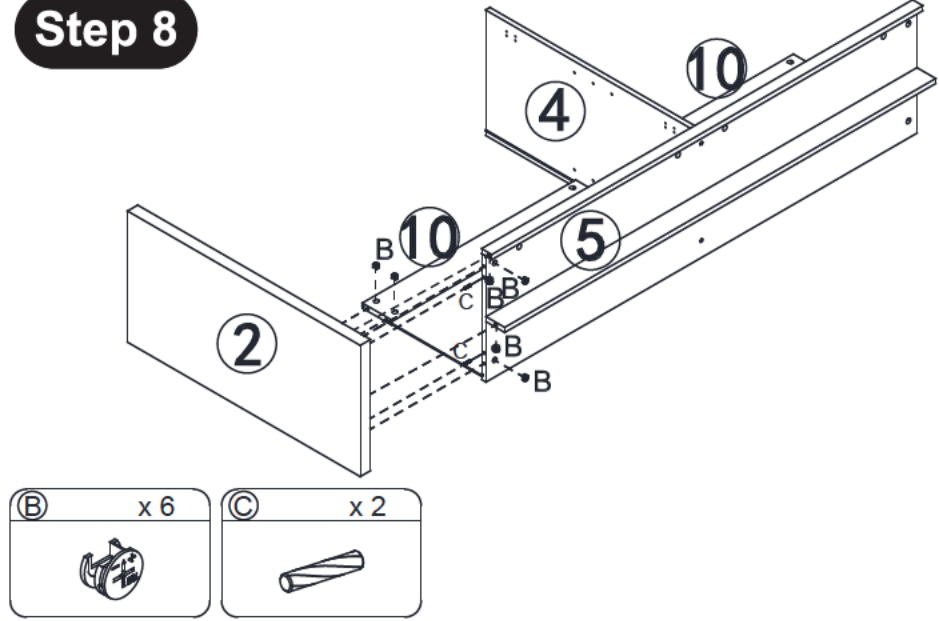
### Step 5



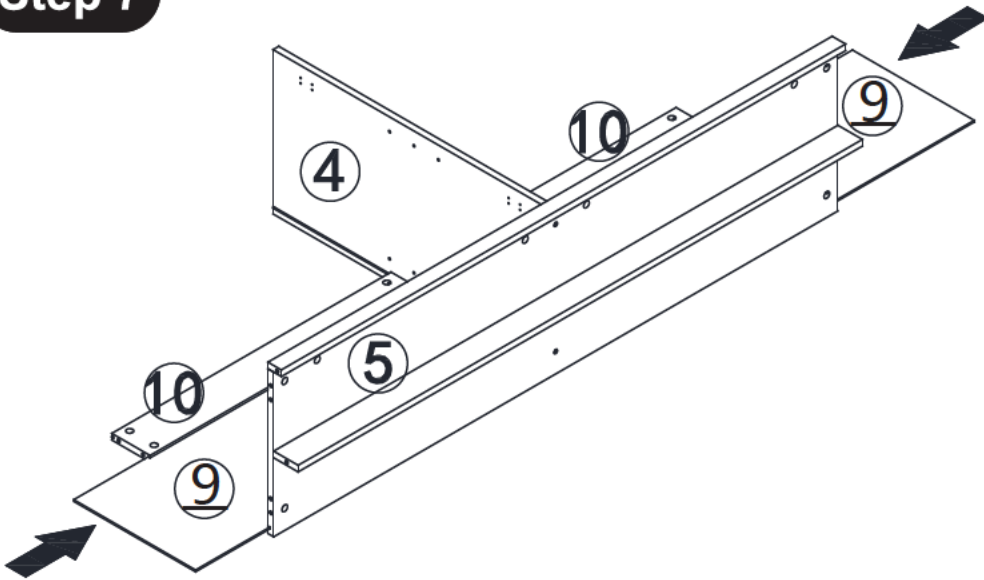
### Step 6



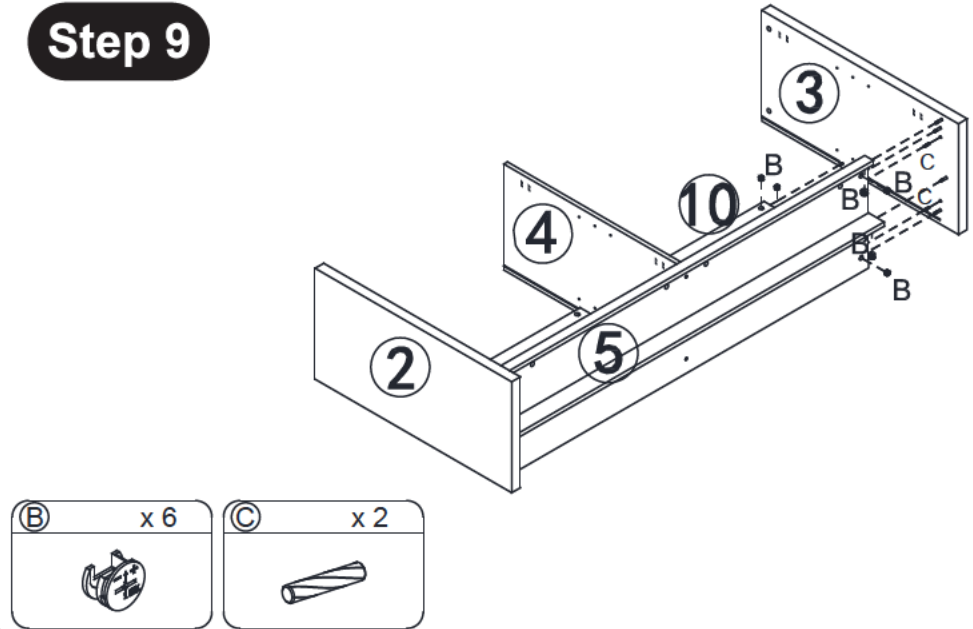
### Step 8



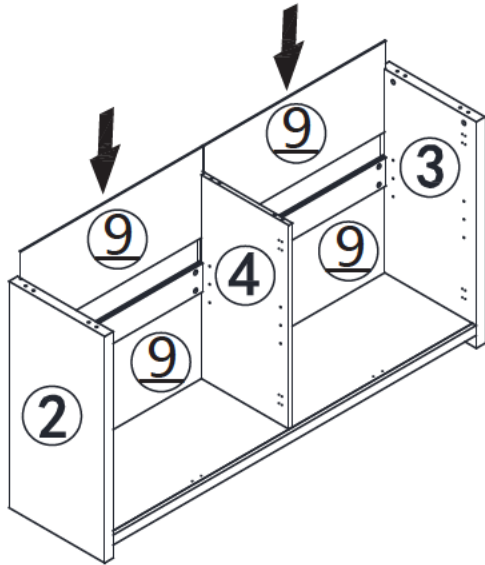
### Step 7



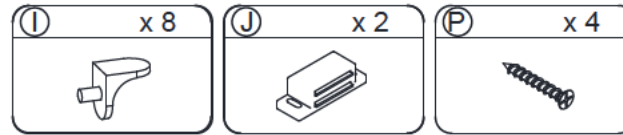
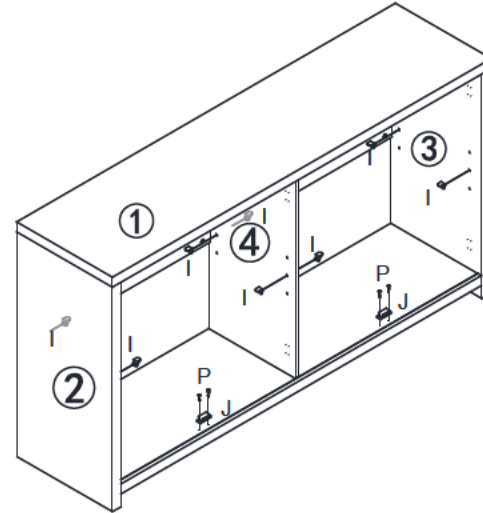
### Step 9



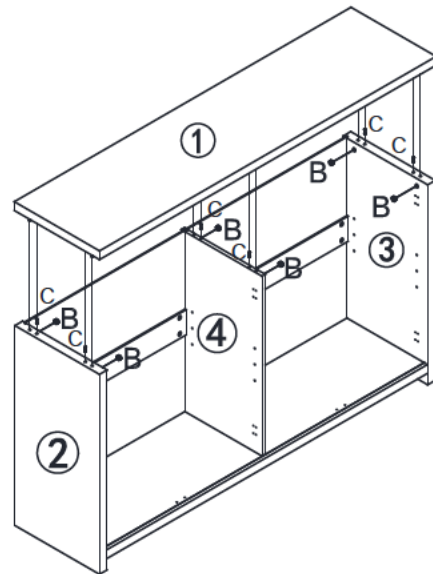
### Step 10



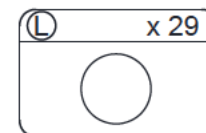
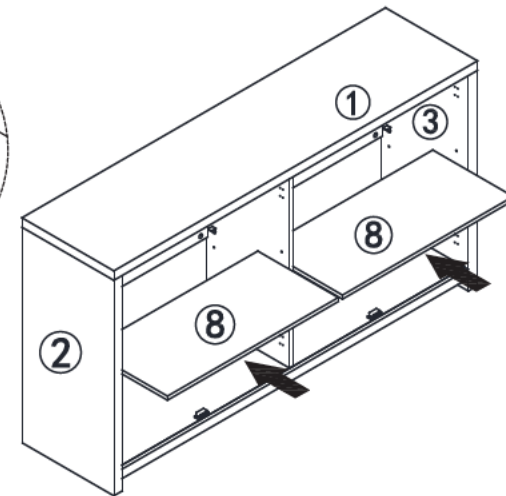
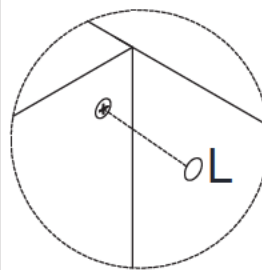
### Step 12



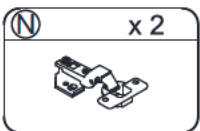
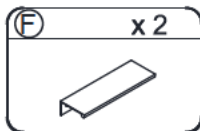
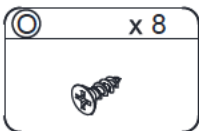
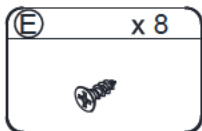
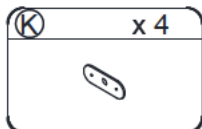
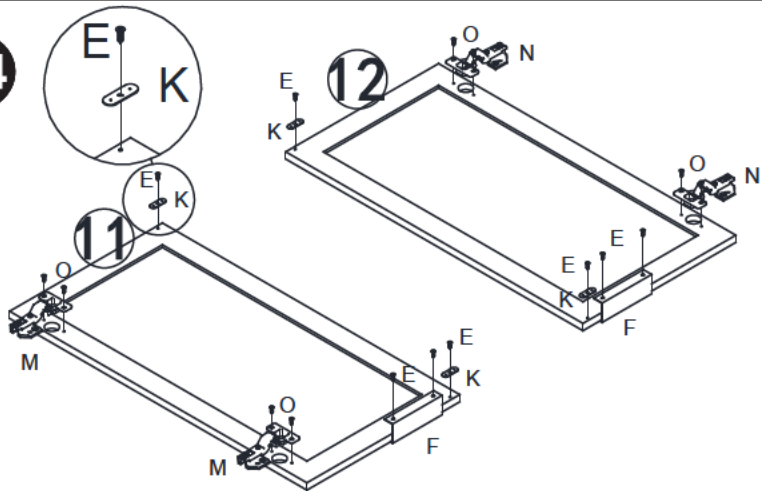
### Step 11



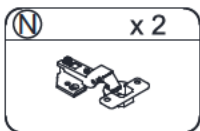
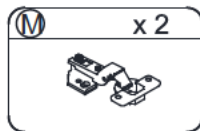
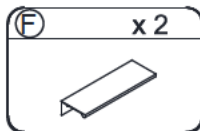
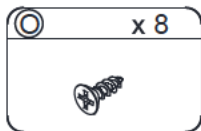
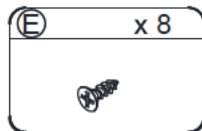
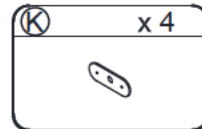
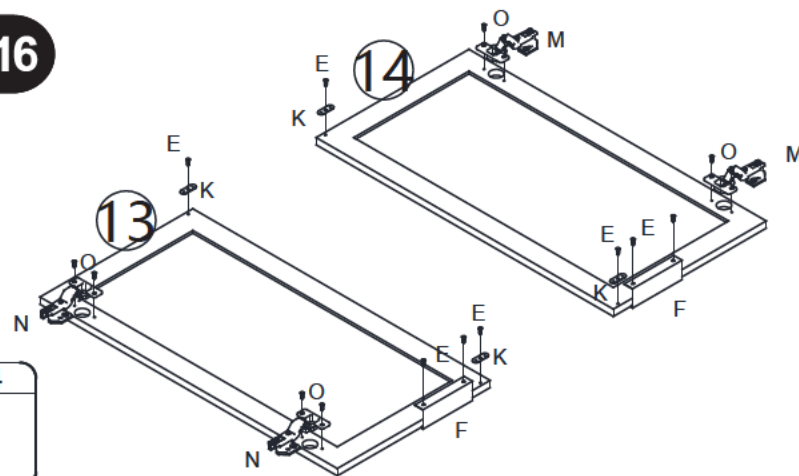
### Step 13



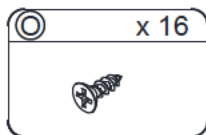
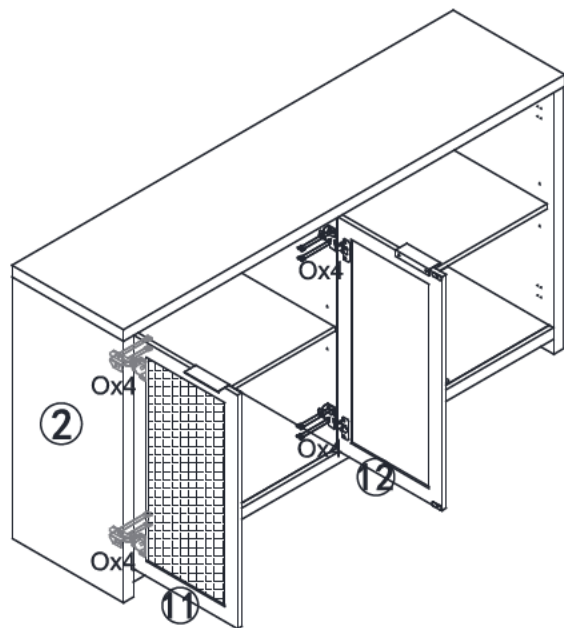
### Step 14



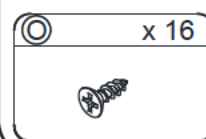
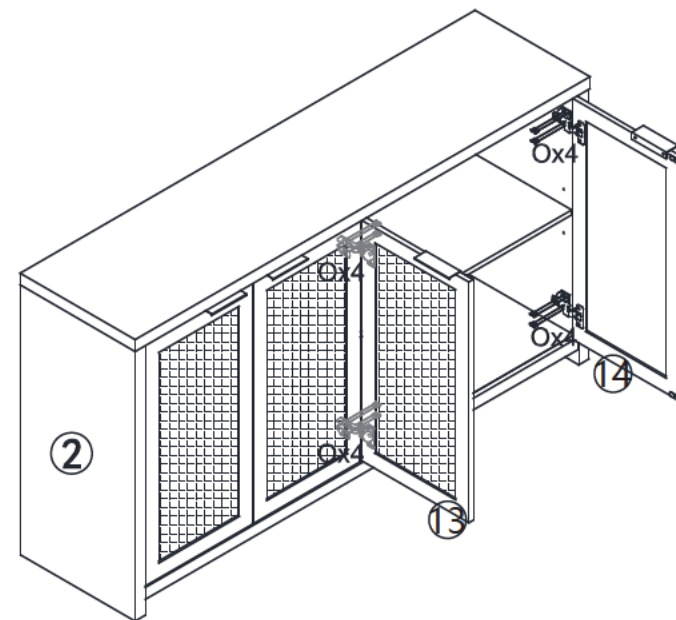
### Step 16



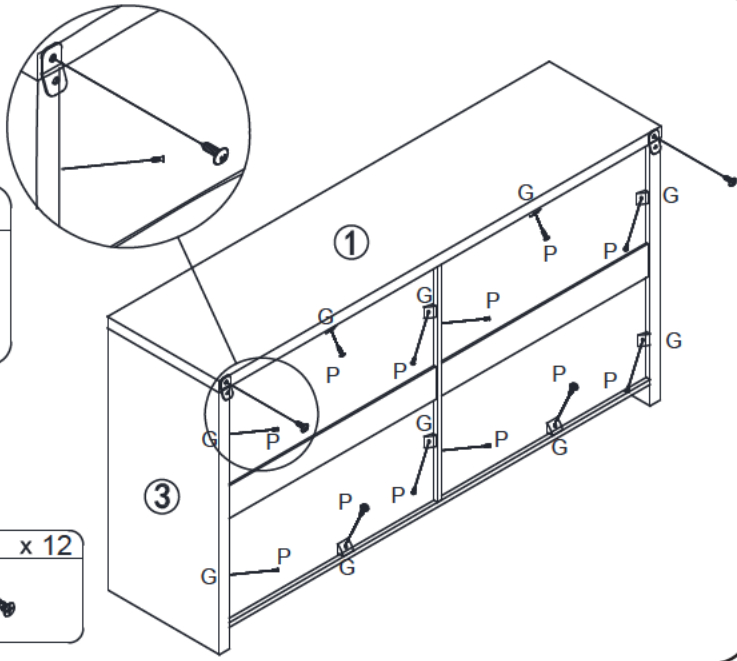
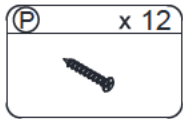
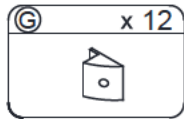
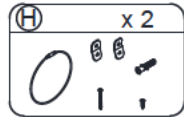
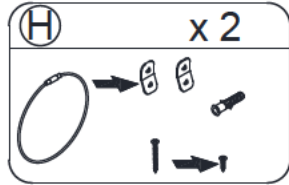
### Step 15



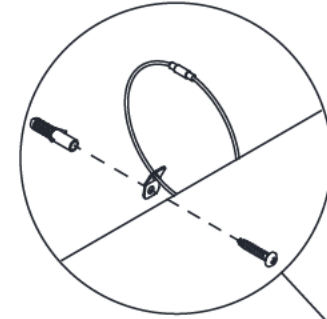
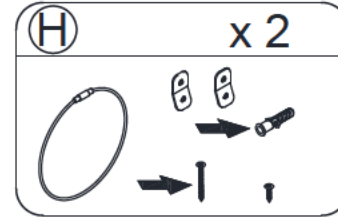
### Step 17



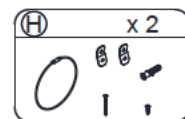
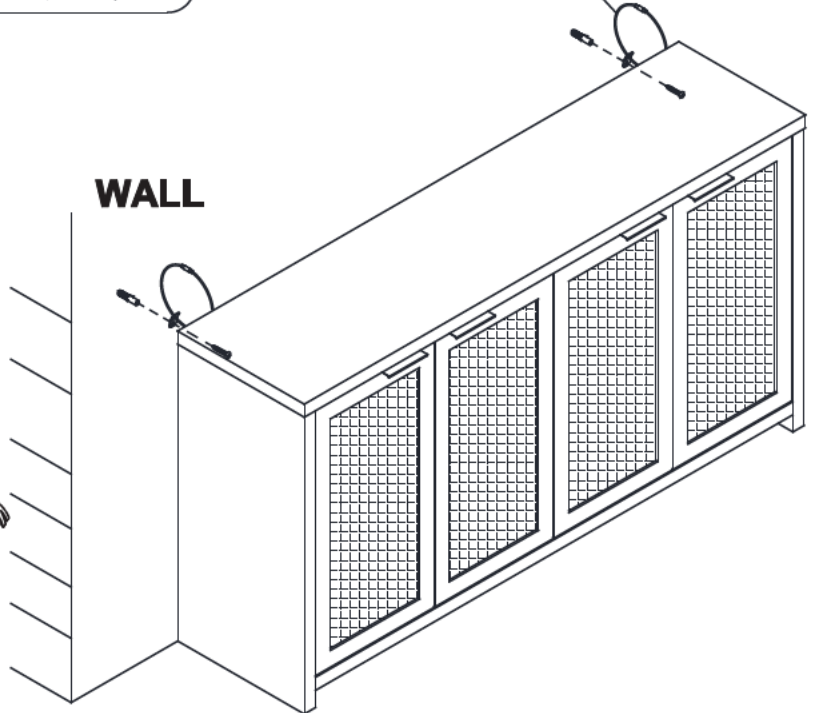
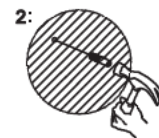
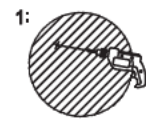
### Step 18



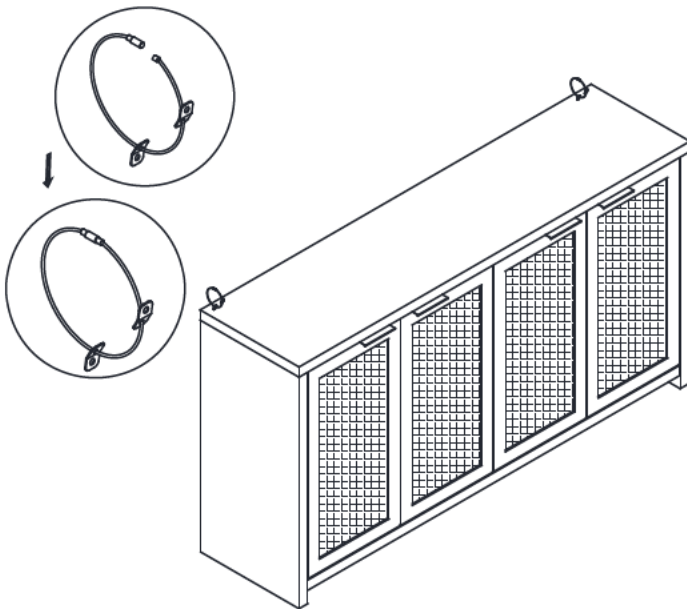
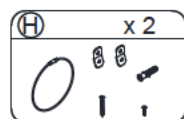
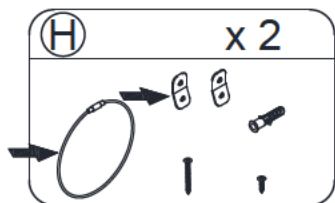
### Step 20



WALL



### Step 19



# **WARNING**



**Children have died from furniture tipover.  
To reduce the risk of furniture tipover:**

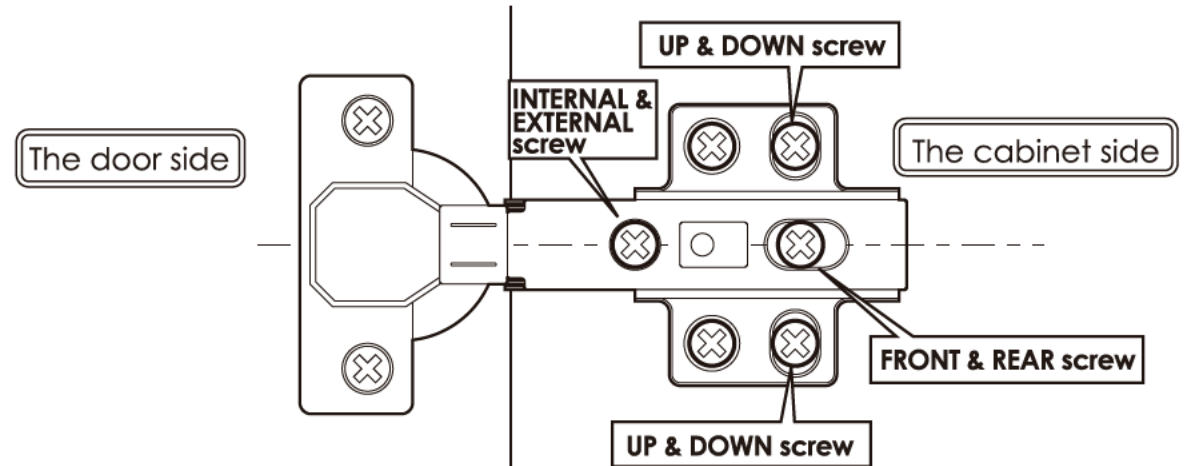
- **ALWAYS** install Anti-tip device provided.
- **NEVER** put a TV on this product.
- **NEVER** allow children to stand, climb or hang on drawers, doors, or shelves.
- **NEVER** open more than one drawer at a time.
- **Place heaviest items in the lowest drawers.**

***This is a permanent label.  
Do not remove!***

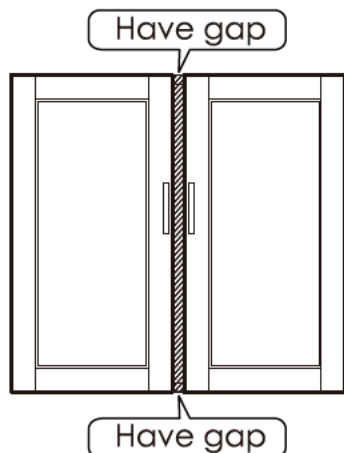
## Adjusting the door

- Before adjusting the hinge, please check whether the cabinet is skewed.
- If the skew can not be repaired, please remove the anti-tipping device first, then adjust the cabinet to vertical position.
- Please adjust the hinge with the door open.
- Please operate it with more than 2 people, one person holds the door and the other one adjusts the screw.
- Have trouble adjusting the door? Please check out our video on adjusting the door via our website or contact [care@oakhamdesign.com](mailto:care@oakhamdesign.com) !

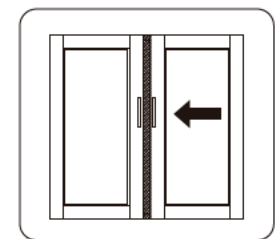
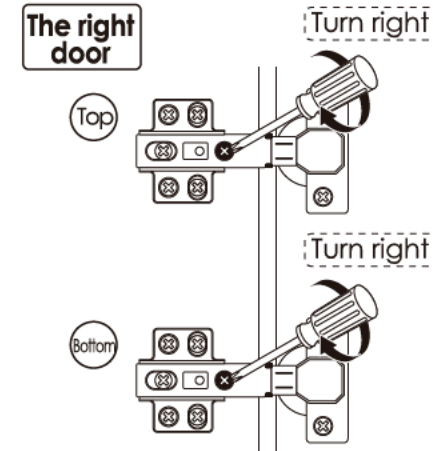
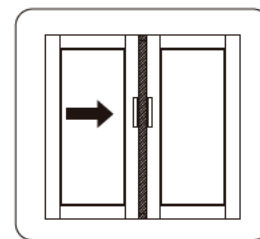
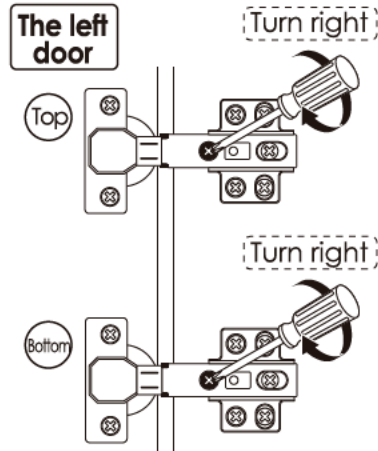
### Components Name



### Obvious gaps between doors or Doors don't look closed



- 1 Turn "internal & external screw" to the right can make the door approach inside. Please adjust the doors little by little.



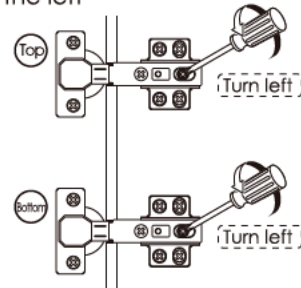
※ If the 2 doors are overlap, please turn the "internal & external screw" to the left.

### When door is crooked



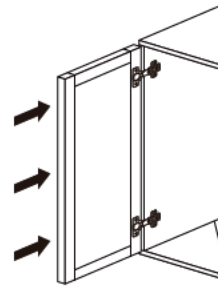
Please take the following steps to adjust first.

- 1 Rotate the "front and rear screws" to the left

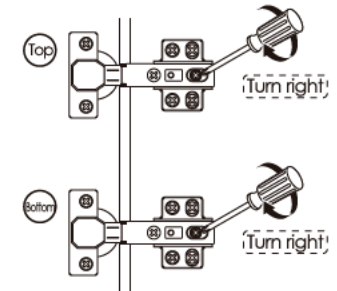


※ After adjusting the "front and rear screw", the door still does not change, please turn the "internal & external screw" to the right slightly.

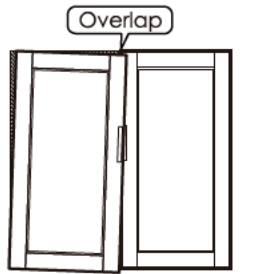
- 2 Push the door to the cabinet



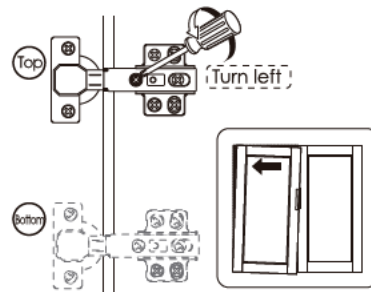
- 3 Rotate the "front and rear screws" to the right



### When door is leaning



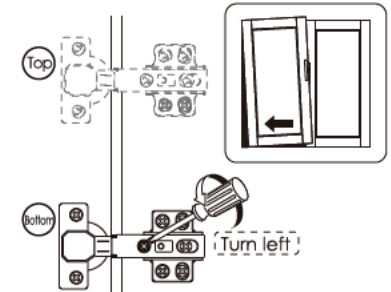
- 1 Turn "internal & external screw" to the left can make the top of the door tilted outward.



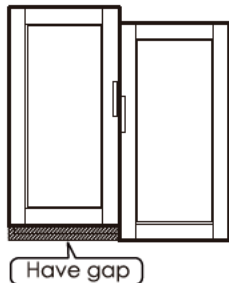
Protruding to the upside



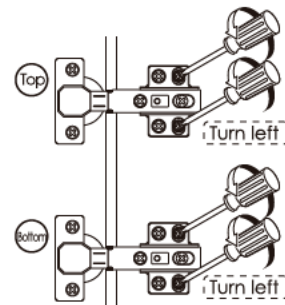
- 1 Turn "internal & external screw" to the left can make the bottom of the door tilted outward.



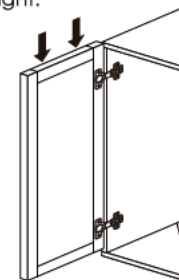
### When the door is higher on top



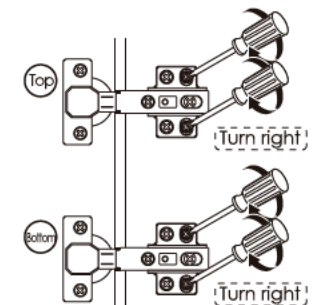
- 1 Turn "up & down screw" to the left



- 2 Lower the door's height so that 2 doors are of the same height.



- 3 Turn "up & down screw" to the right



※ If the door is lower on bottom, please lift up the left door slightly on step 2