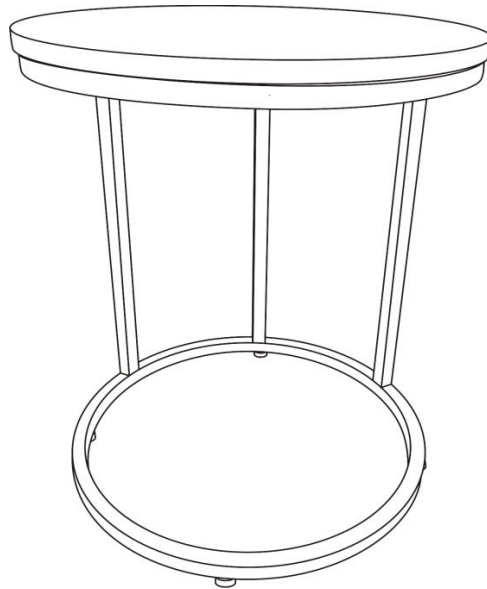


Assembly Instructions

Caution: You must read this before you proceed


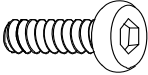

End Table



Part List

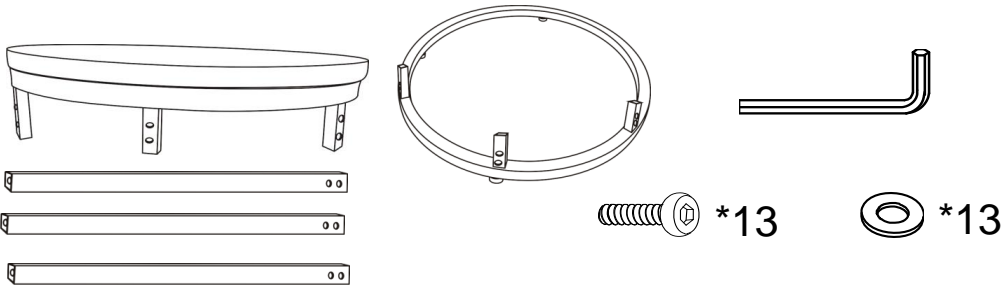
| Label | Picture | Description | QTY |
|-------|--|-------------|-----|
| A | A line drawing of the table top, showing a flat, circular surface with a slightly raised edge and three legs attached to the bottom. | Table Top | 1 |
| B | A line drawing of a circular support bar with three legs attached to the bottom. | Support Bar | 1 |
| C | A line drawing of a single leg, showing a rectangular cross-section with a small foot at the bottom. | Leg | 3 |

Hardware

| Label | Picture | Description | QTY |
|-------|---|----------------|-----|
| ① |  | Washer | 13 |
| ② |  | Bolt (M6*16mm) | 13 |
| ③ |  | Allen Key | 1 |

Assembly Preparation

Before Beginning Assembly:



The diagram illustrates the components for assembly preparation. On the left, a table top is shown with four legs attached. Below it are three long, thin rectangular pieces, likely the table's base or support rails. In the center is a circular table top with a hole in the middle. To the right of the circular top is an Allen key. Further right are 13 bolts and 13 washers, each labeled with '*13'.



- Read instructions, cover to cover-



- Have 2 adults on hand for assembly-



- Do not assemble on flooring or carpet-



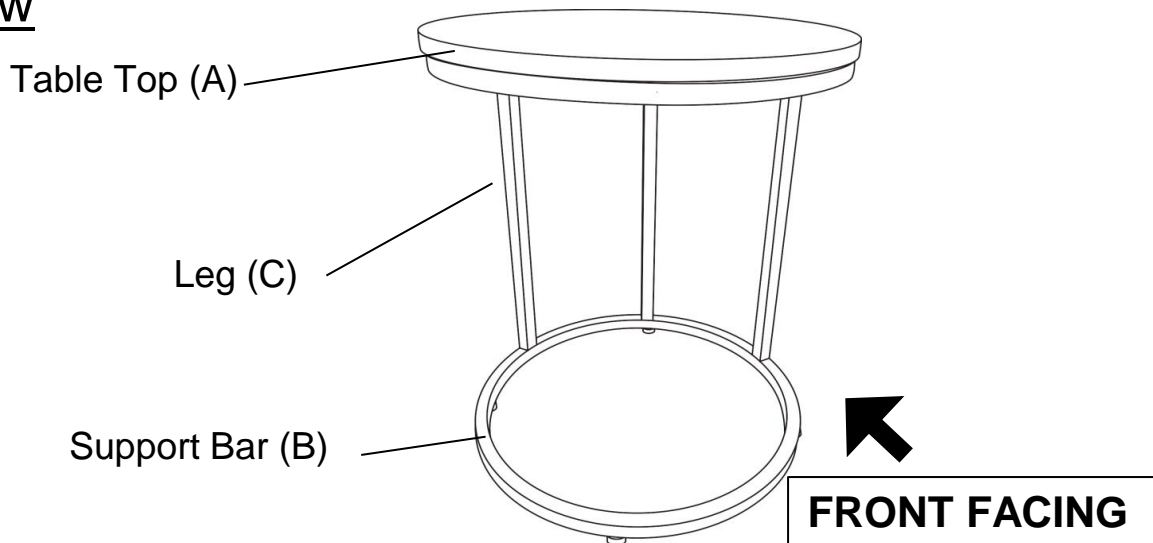
- Assemble on a clean non-marring surface (packing foam)-



- Save all packaging until finished-

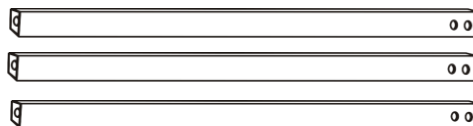
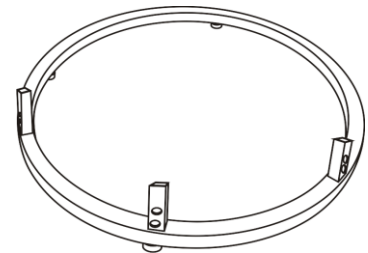
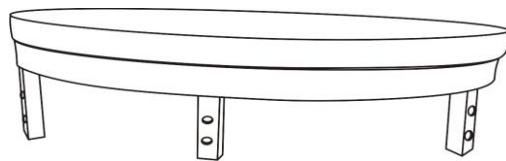
Assembly Steps

Overview



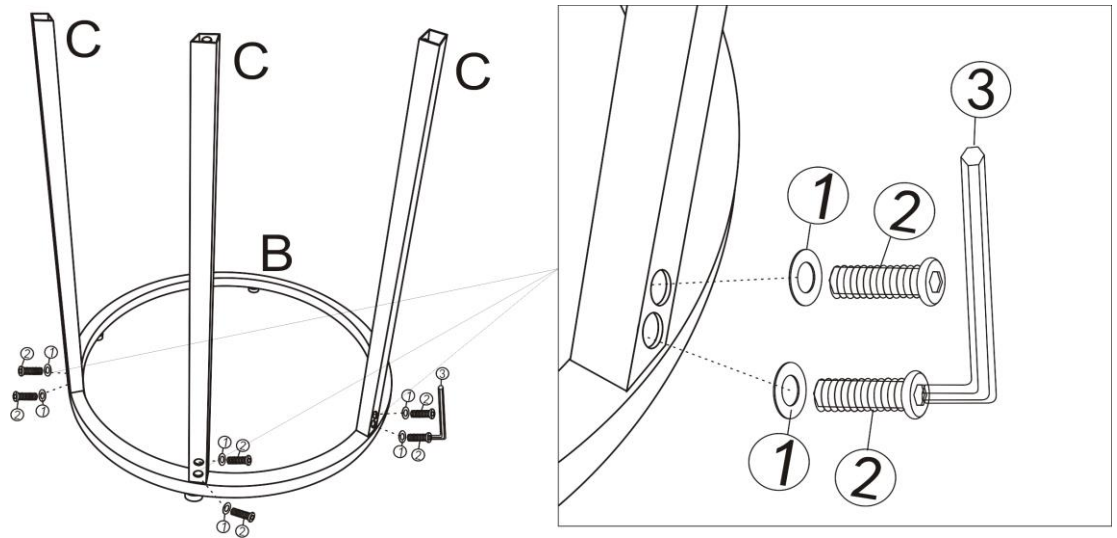
This Table has multiple parts and may require up to 30 minutes to assemble. To give you an overview of the Table parts, the above picture is to help you put the various parts into perspective. Please read through the instructions below to familiarise yourself with the parts and steps before assembly.

Step 1



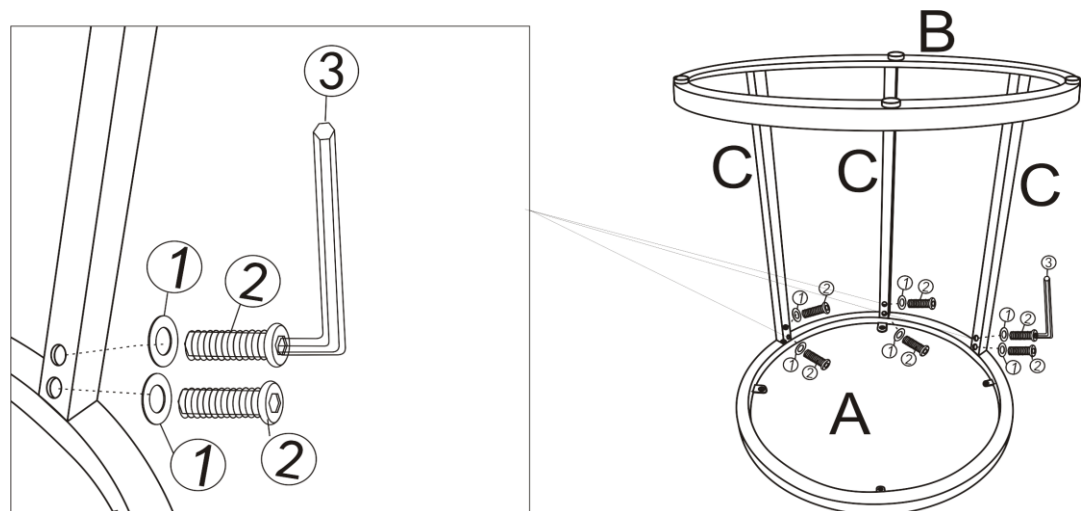
Open the carton and place all the parts onto a clean, non-marring surface.

Step 2



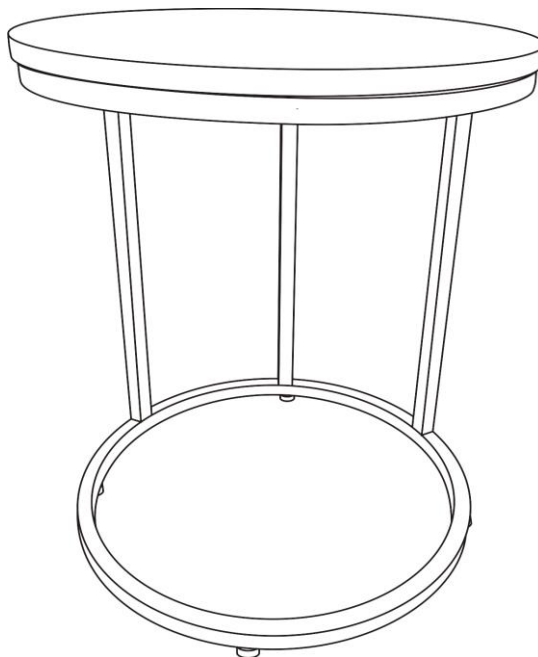
Align the mounting positions on the Support Bar(B) and the Leg(C), then attach using Washers(①) and Bolts(②) with Allen Key(③) as shown.
Do not fully tighten the Bolts.

Step 3



Align the mounting positions on the Table Top(A) and Leg(C), then attach using Washers(①) and Bolts(②) with Allen Key(③) as shown.
Do not fully tighten the Bolts.

Step 4



In a sequential manner, drive in and fully tighten all Bolts at all joints.
Your End Table is now ready to for use.
This End Table can only be used on a flat, level surface.

Care & Maintenance



- Furniture may scratch floors. We recommend using furniture pads to protect your floors.



- Do not put hot items directly on furniture surface.



- Do not clean furniture with harsh cleansers or polish.



- Do not place furniture under direct sunlight.



- Do not place furniture near heating or cooling vents.



- Do not write on furniture without a padded barrier to protect the surface.



- Do not place furniture outside . For indoor use only.



- Not for commercial use. For residential use only.



- Stains may be removed with mild soap solution and damp cloth.



- Children should not climb or jump on the furniture.



- Dust and pick-up spills using a clean, non-colored, lint-free cloth.