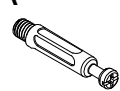


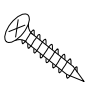

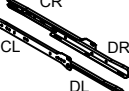
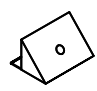
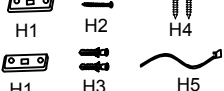
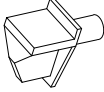

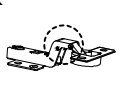
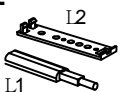

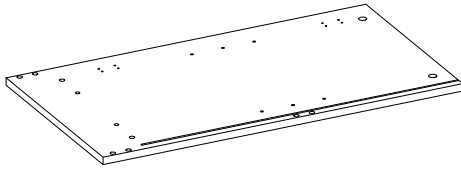


X3

<p><b>A</b></p>  <p>∅7*40mm 66PCS</p>	<p><b>B</b></p>  <p>∅15*11mm 66PCS</p>	<p><b>C</b></p>  <p>∅8*30mm 12PCS</p>	<p><b>D</b></p>  <p>∅3.5*14mm 86PCS</p>	<p><b>E</b></p>  <p>∅3.5*35mm 12PCS</p>	<p><b>F</b></p>  <p>CR CL DR DL L=350mm 3PCS</p>	<p><b>G</b></p>  <p>16PCS</p>	<p><b>H</b></p>  <p>H1 H2 H4 H1 H3 H5 2PCS</p>
<p><b>I</b></p>  <p>4PCS</p>	<p><b>J</b></p>  <p>9PCS</p>	<p><b>K</b> Insert</p>  <p>∅35mm 4PCS</p>	<p><b>L</b></p>  <p>L2 L1 5PCS</p>	<p><b>M</b></p>  <p>∅21mm 66PCS</p>			

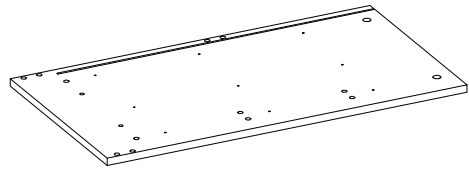
1



740\*399.5\*15mm

1 PC

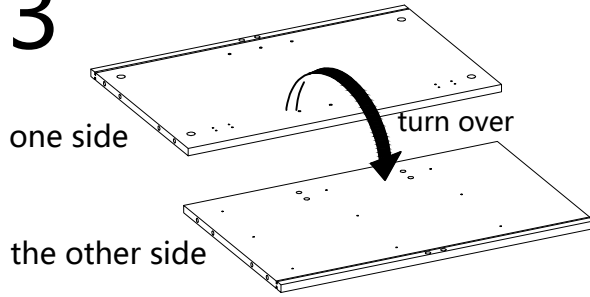
2



740\*399.5\*15mm

1 PC

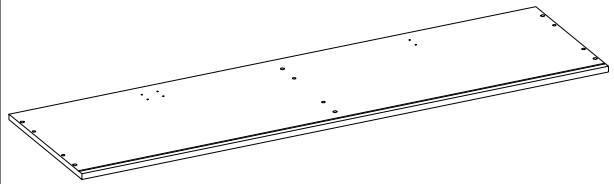
3



645\*399.5\*15mm

1 PC

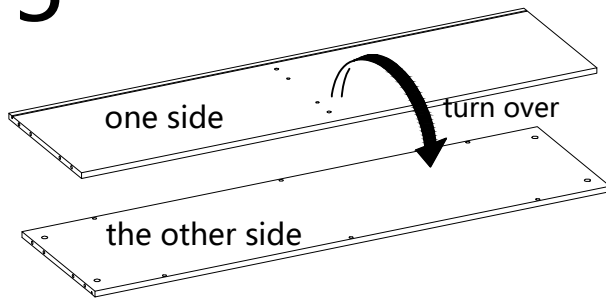
4



1445\*400\*15mm

1 PC

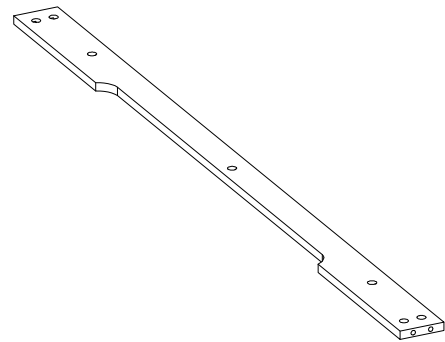
5



1413\*399.5\*15mm

1 PC

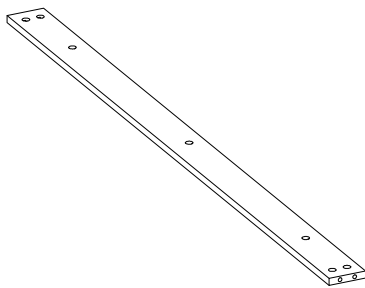
6



1413\*80\*15mm

1 PC

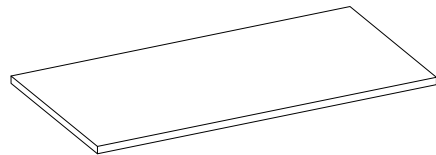
7



1413\*80\*15mm

1 PC

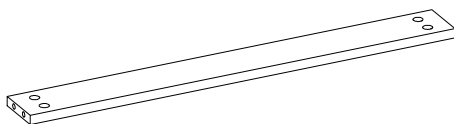
8



679\*355\*15mm

1 PC

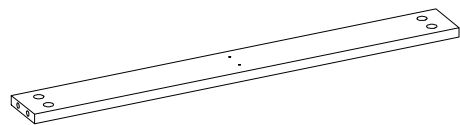
9



699\*76\*15mm

2 PCS

10

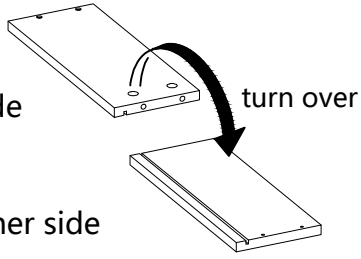


699\*76\*15mm

2 PCS

11

one side



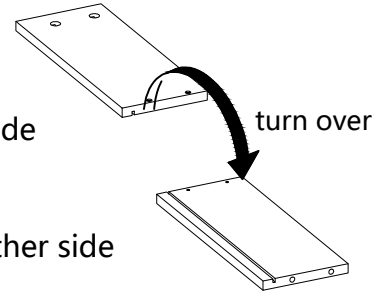
the other side

350\*140\*15mm

3 PCS

12

one side

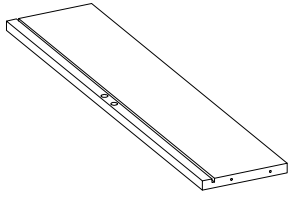


the other side

350\*140\*15mm

3 PCS

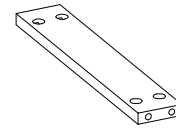
13



644\*140\*15mm

3 PCS

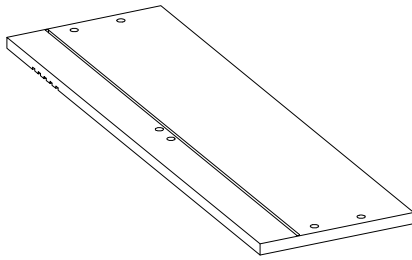
14



335\*60\*15mm

3 PCS

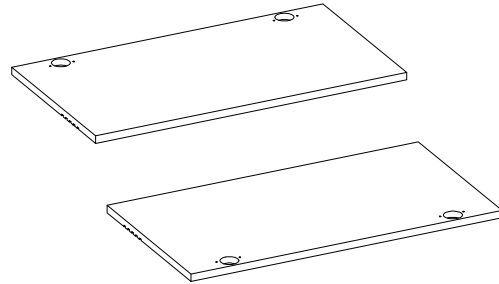
15



211\*694\*15mm

3 PCS

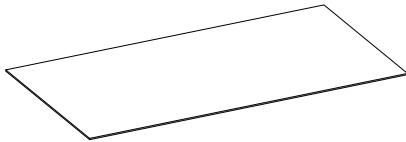
16



640\*345.5\*15mm

2 PCS

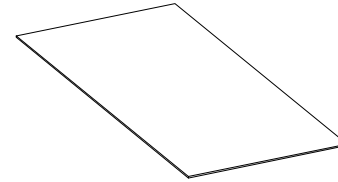
17



654\*345\*3mm

3 PCS

18



326.5\*708\*3mm

4 PCS

19



L=697mm

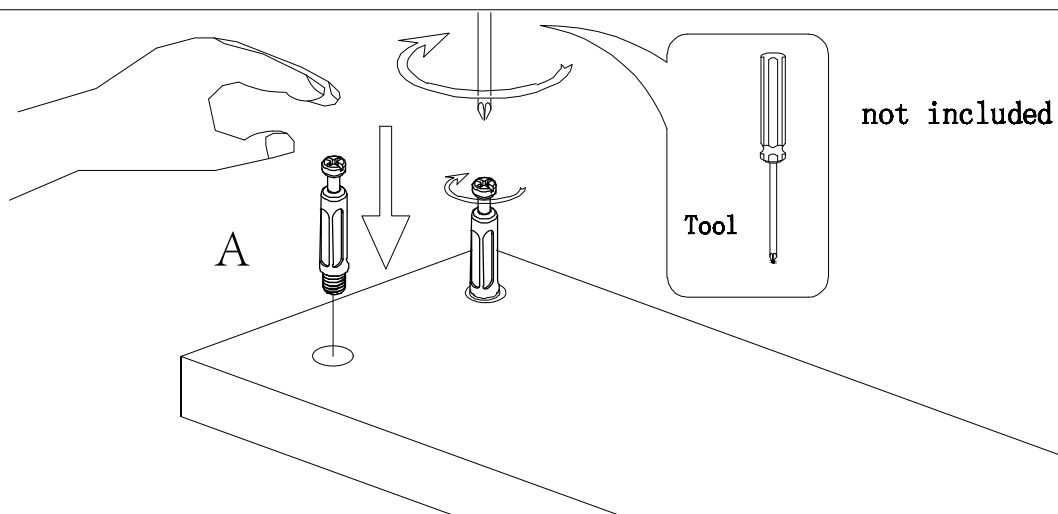
2 PCS

# Hardware installation demonstration

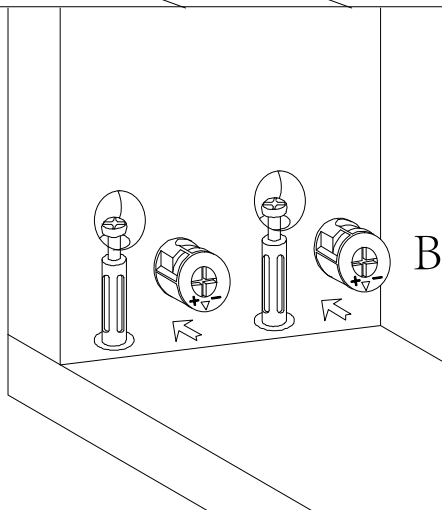


NOTE: Please make sure "A" hardware tightened and can't be pulled out!

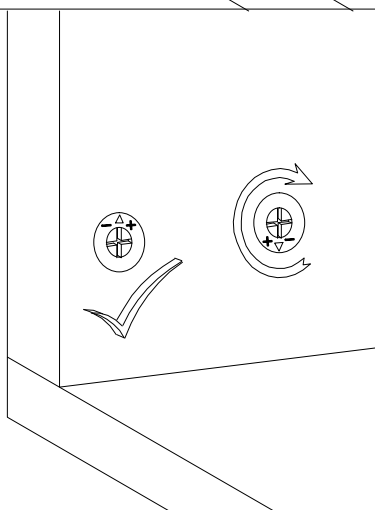
I



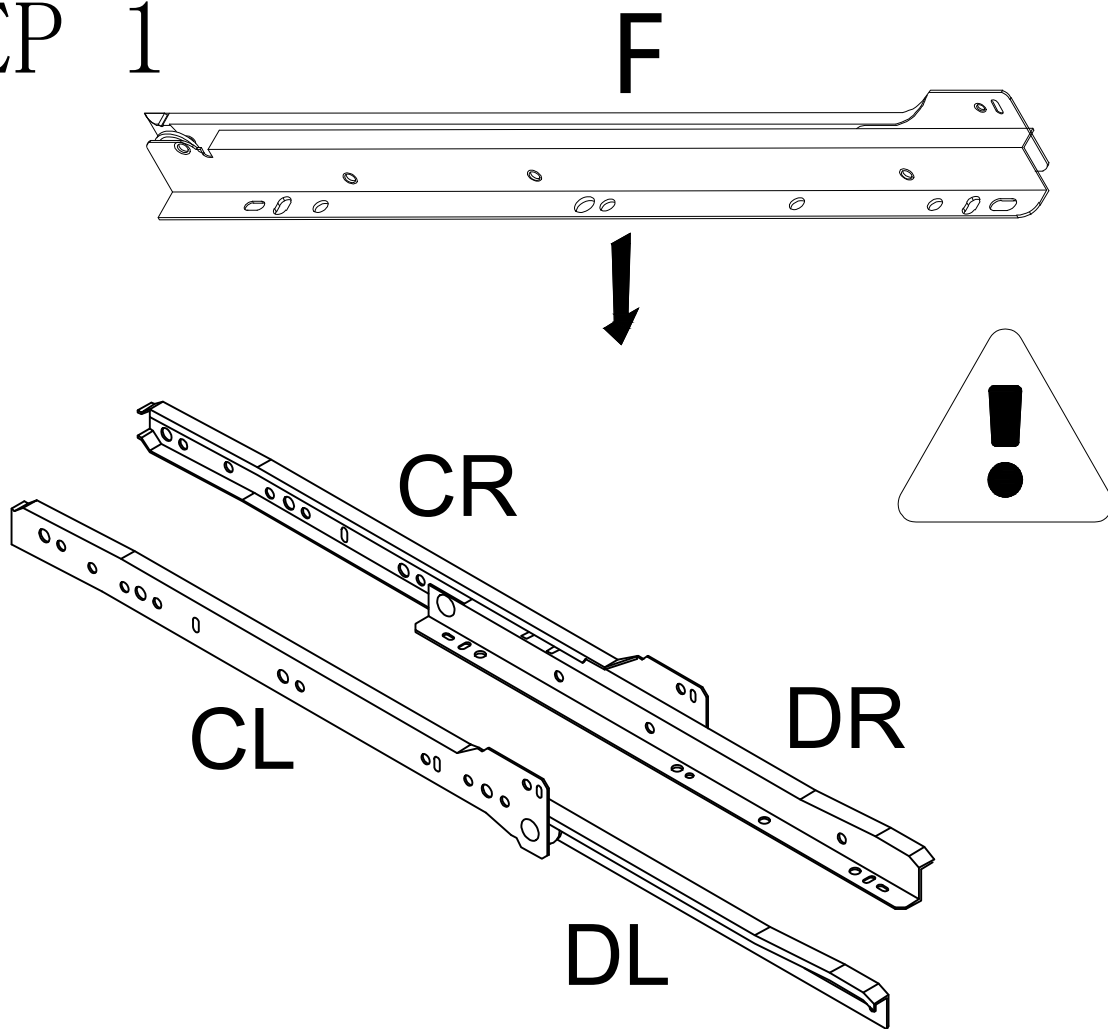
II



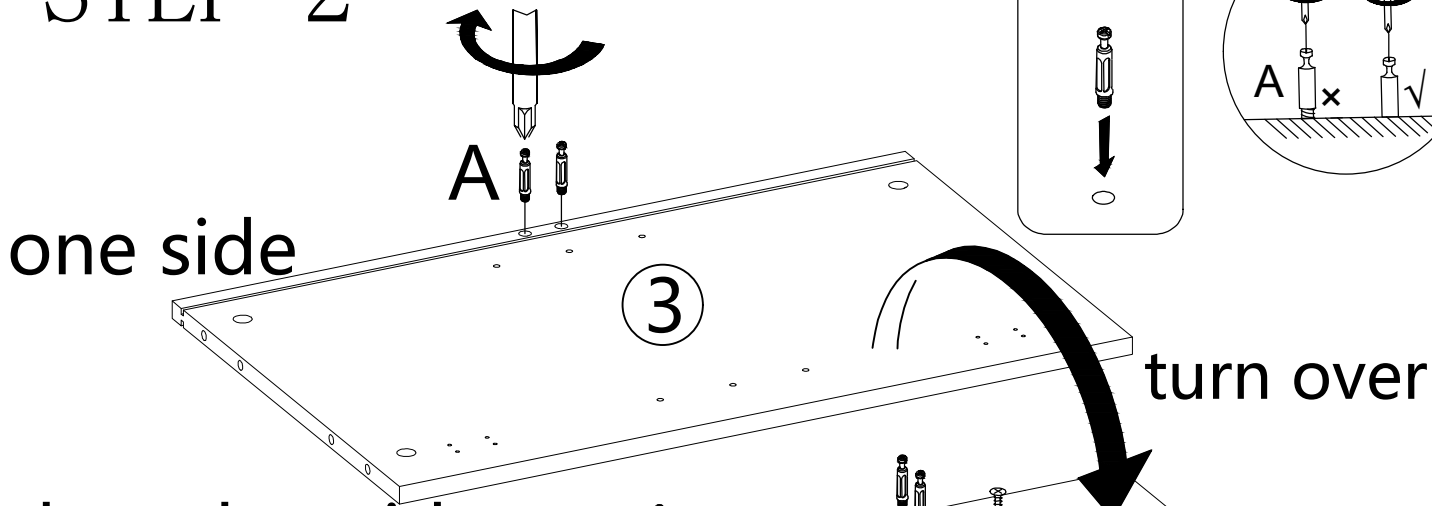
III



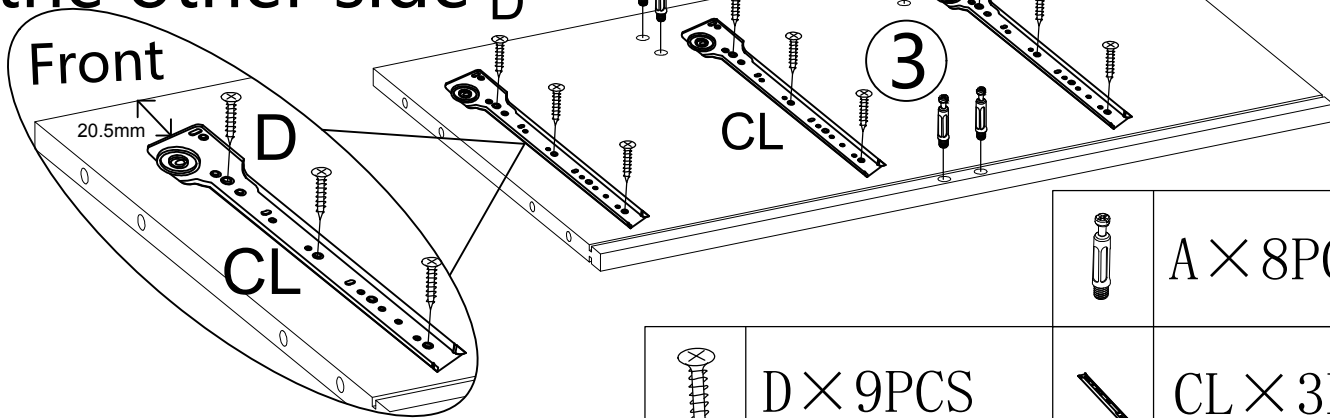
# STEP 1






# STEP 2

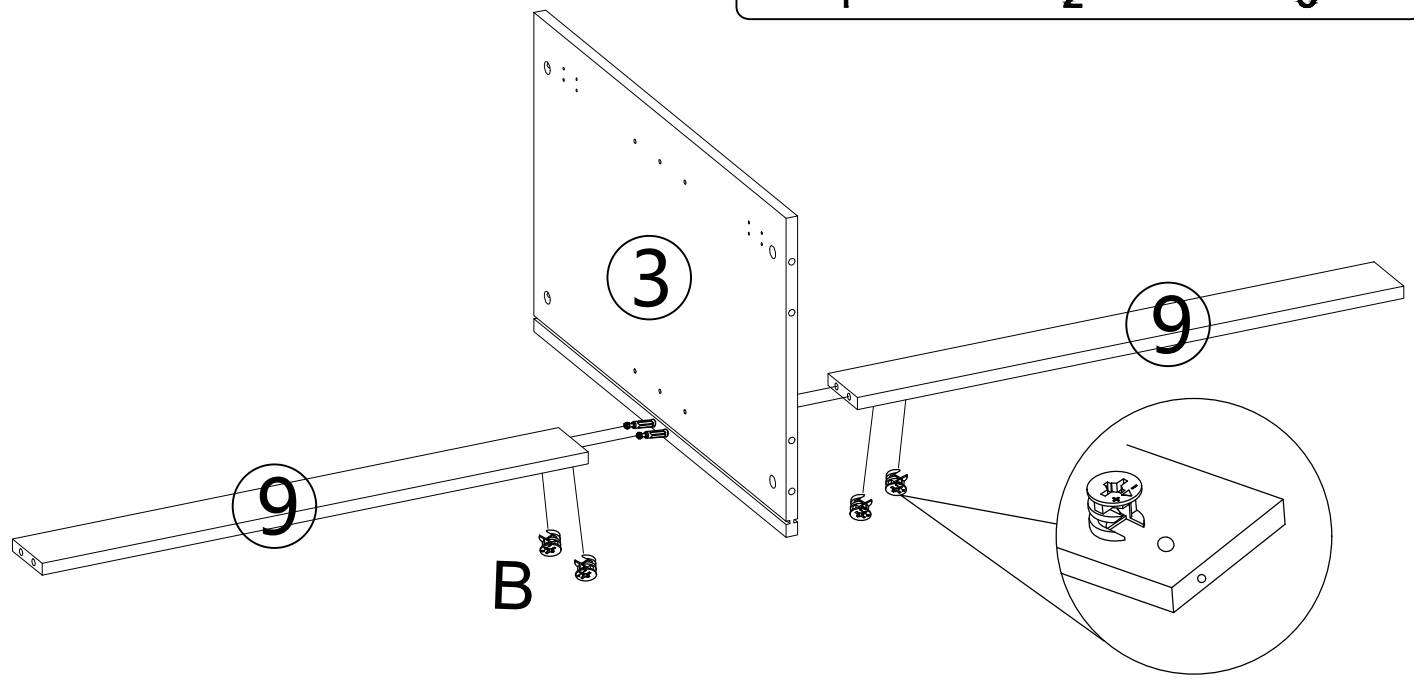
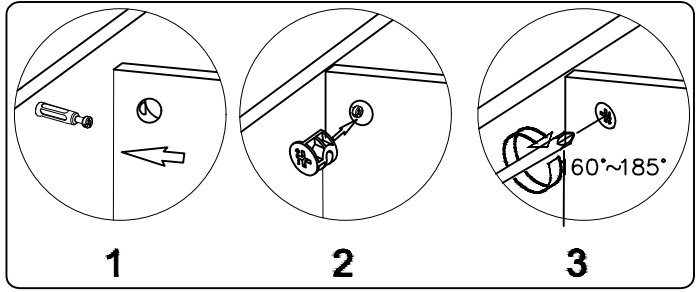



the other side



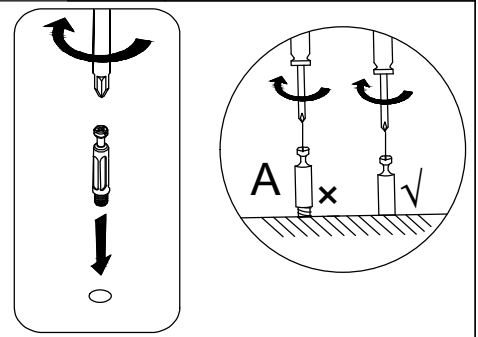
	D × 9PCS		A × 8PCS
	CL × 3PCS		

# STEP 3

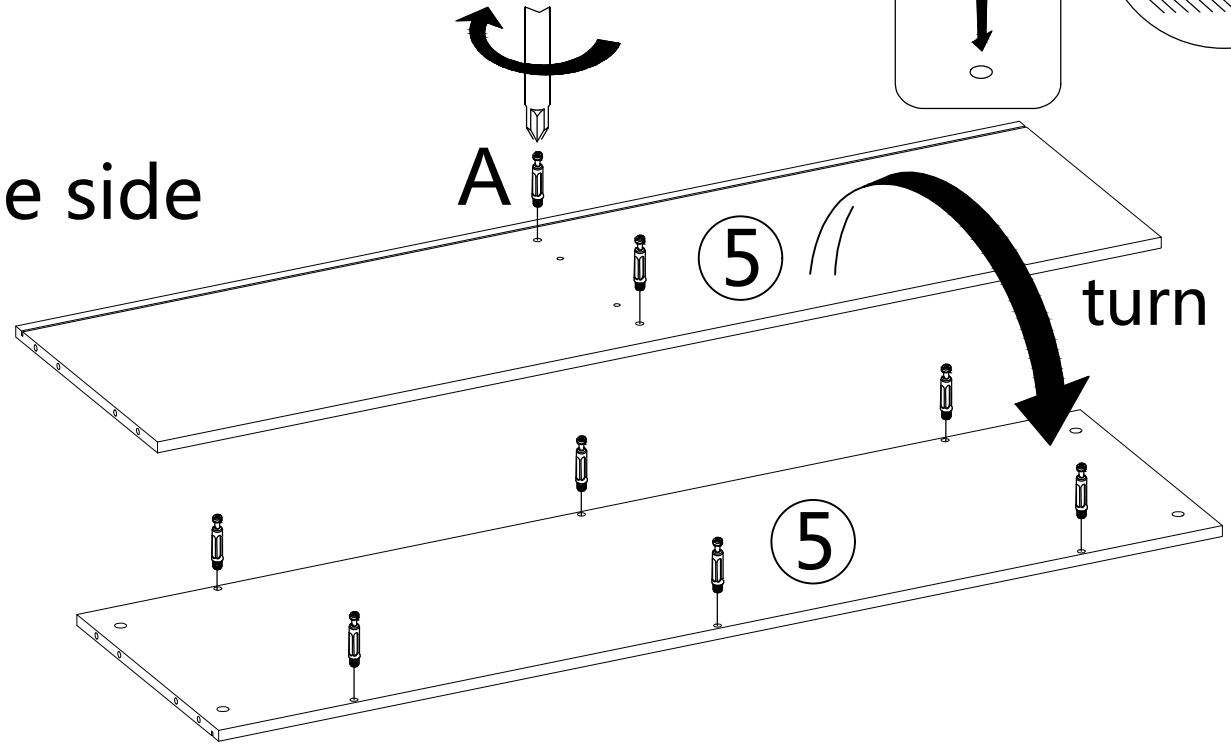


	B × 4PCS
---	----------

# STEP 4



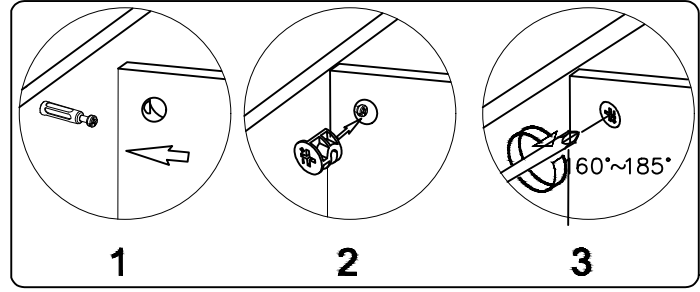
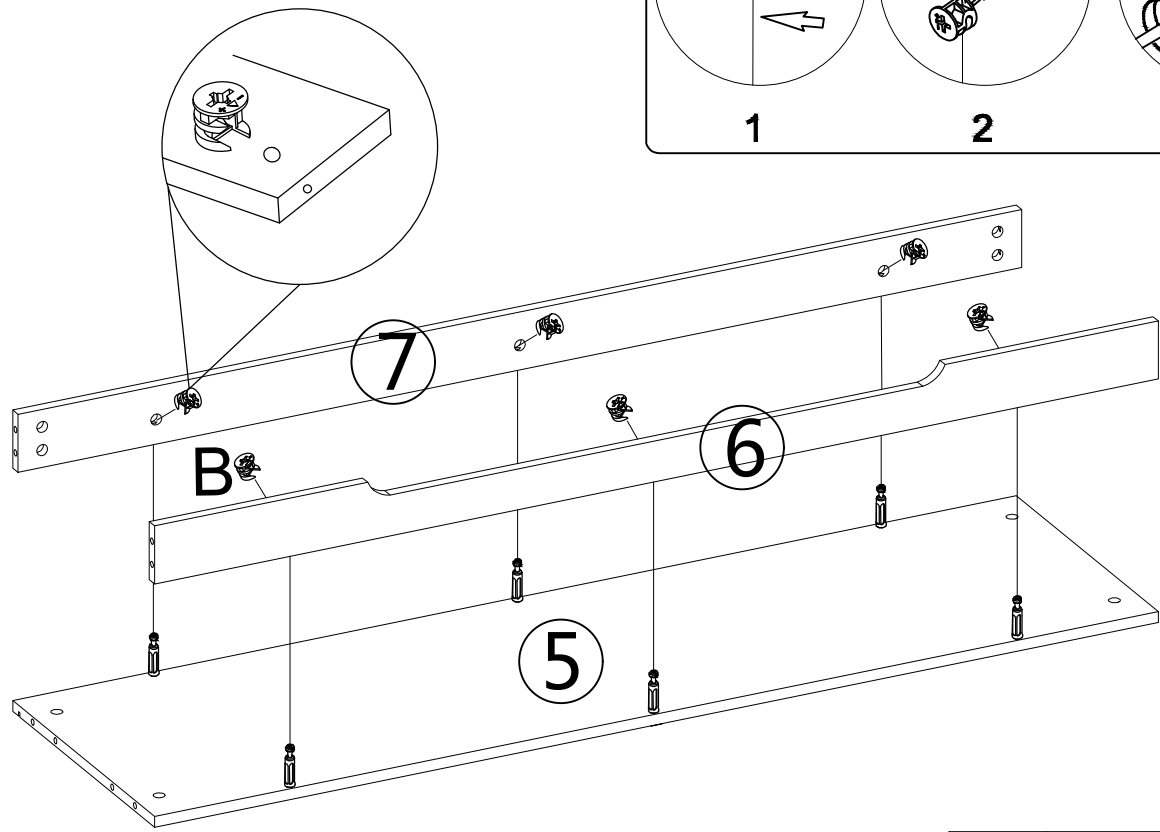
one side




the other side

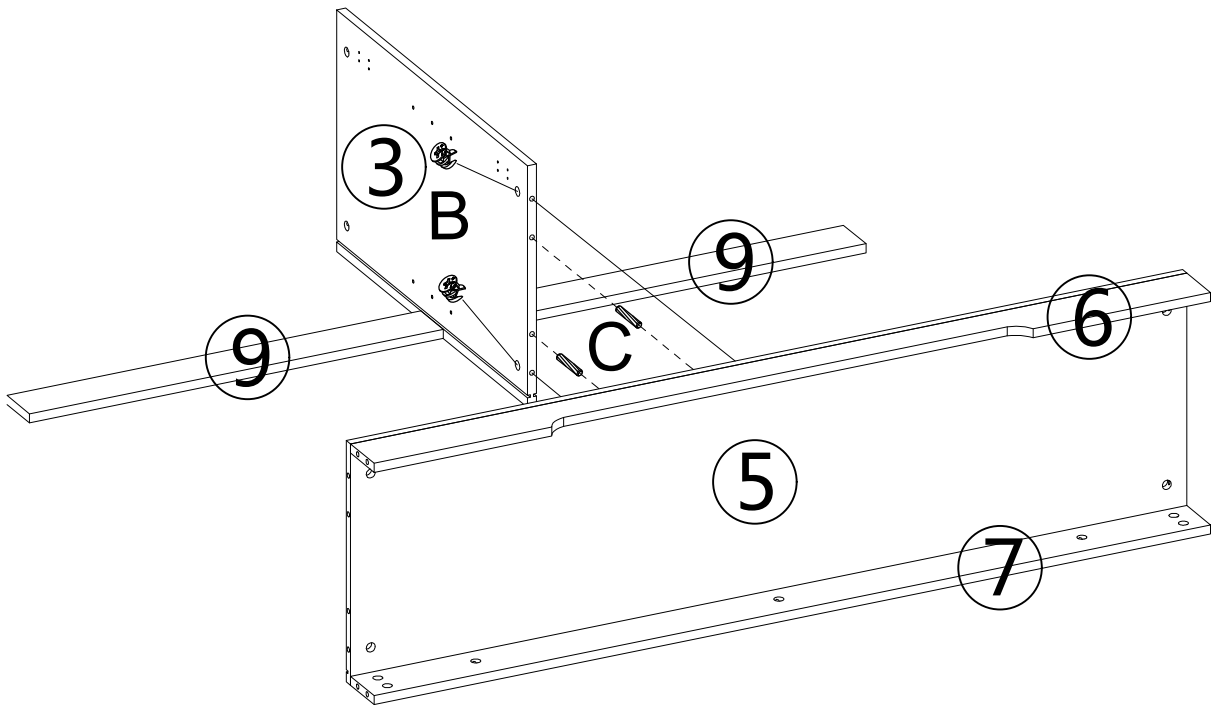
	A × 8PCS
---	----------



# STEP 5



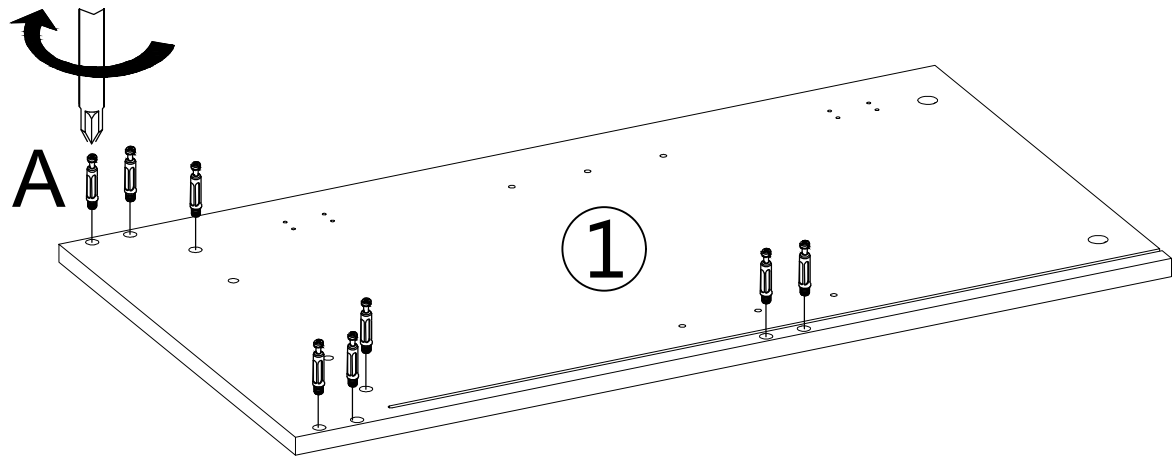
	B × 6PCS
---	----------


# STEP 6



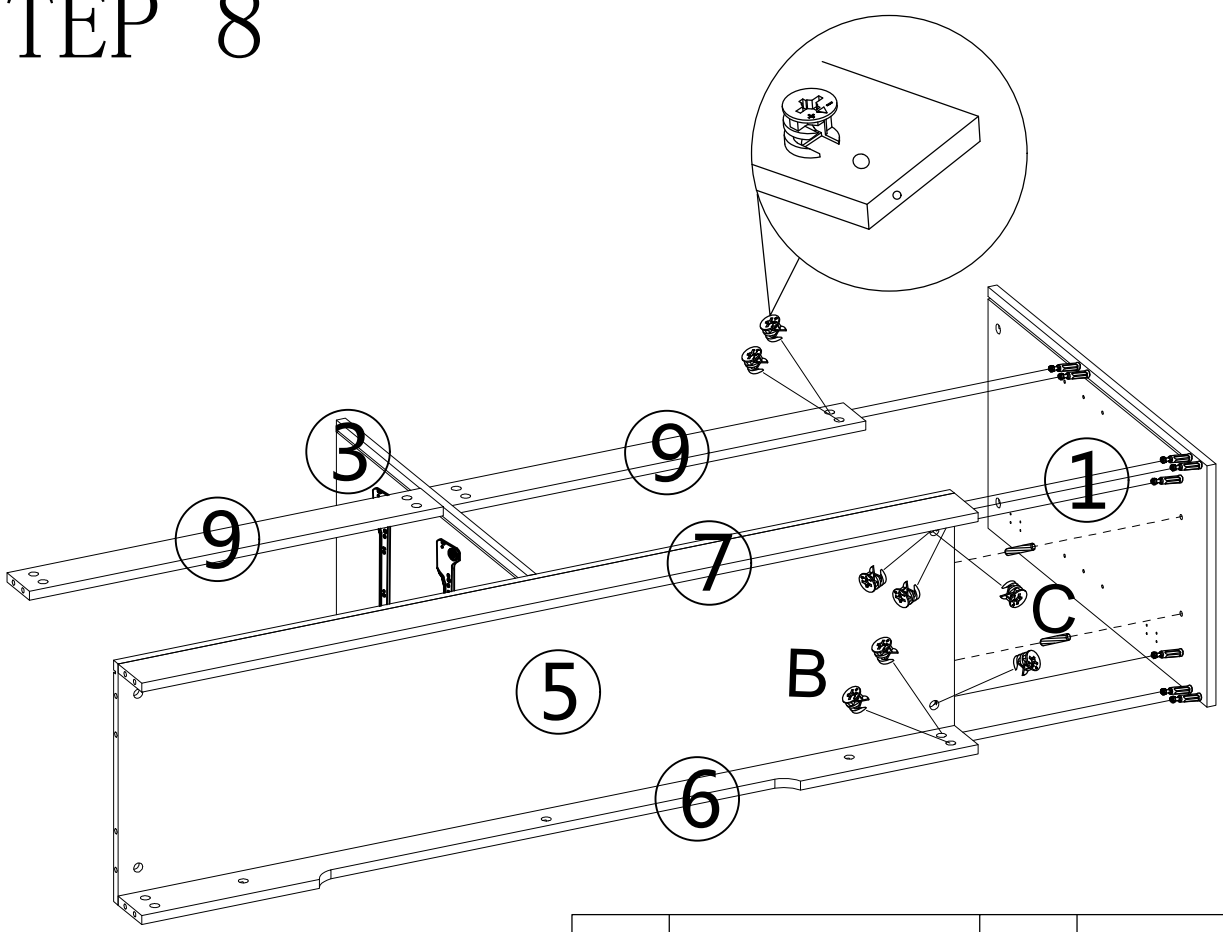
	B × 2PCS		C × 2PCS
---	----------	---	----------



# STEP 7



	A × 8PCS
--	----------

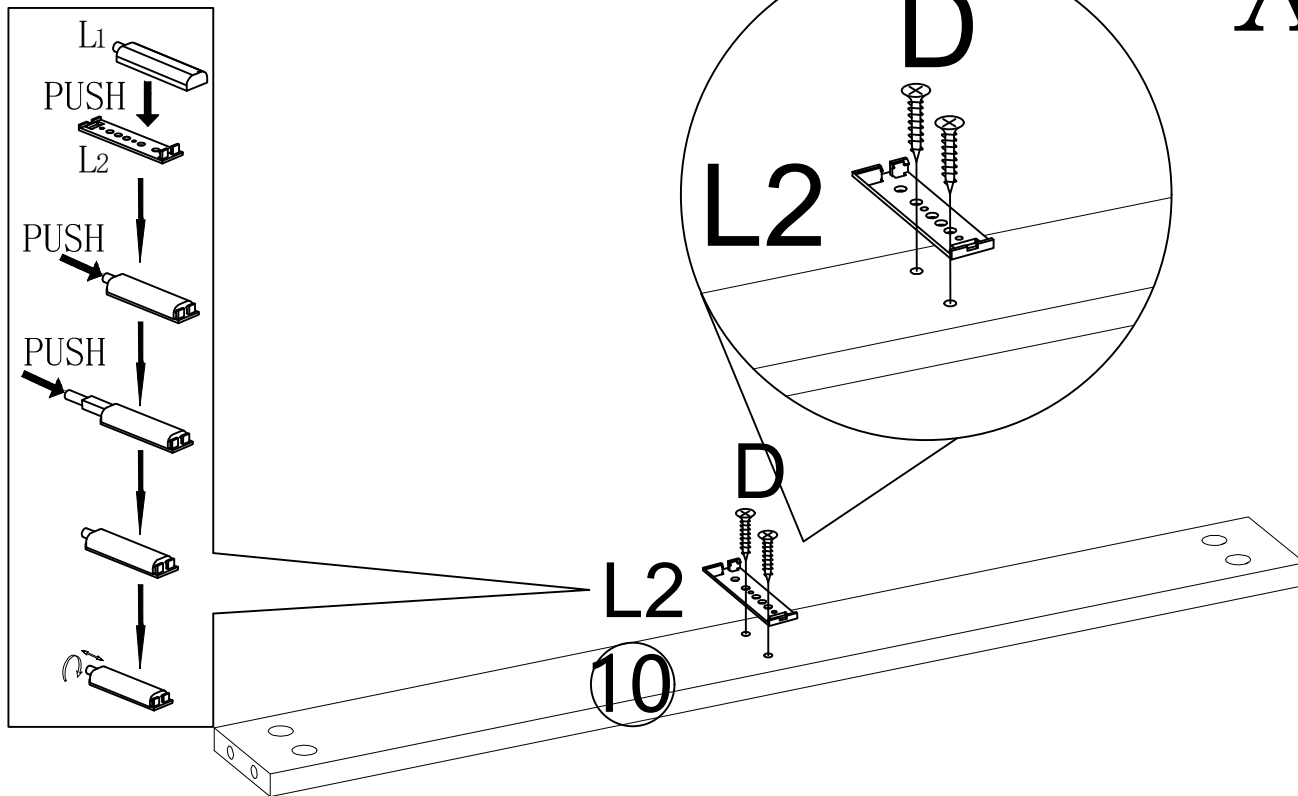
# STEP 8


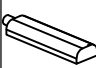
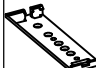


	B × 8PCS		C × 2PCS
---	----------	---	----------

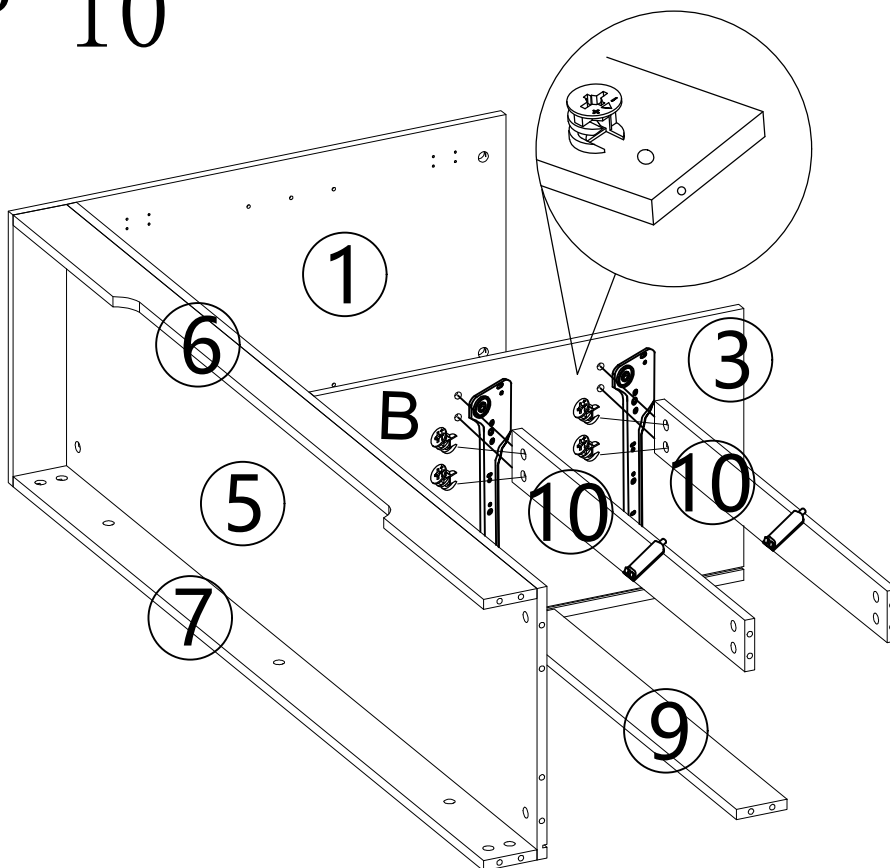
# STEP 9


# X2



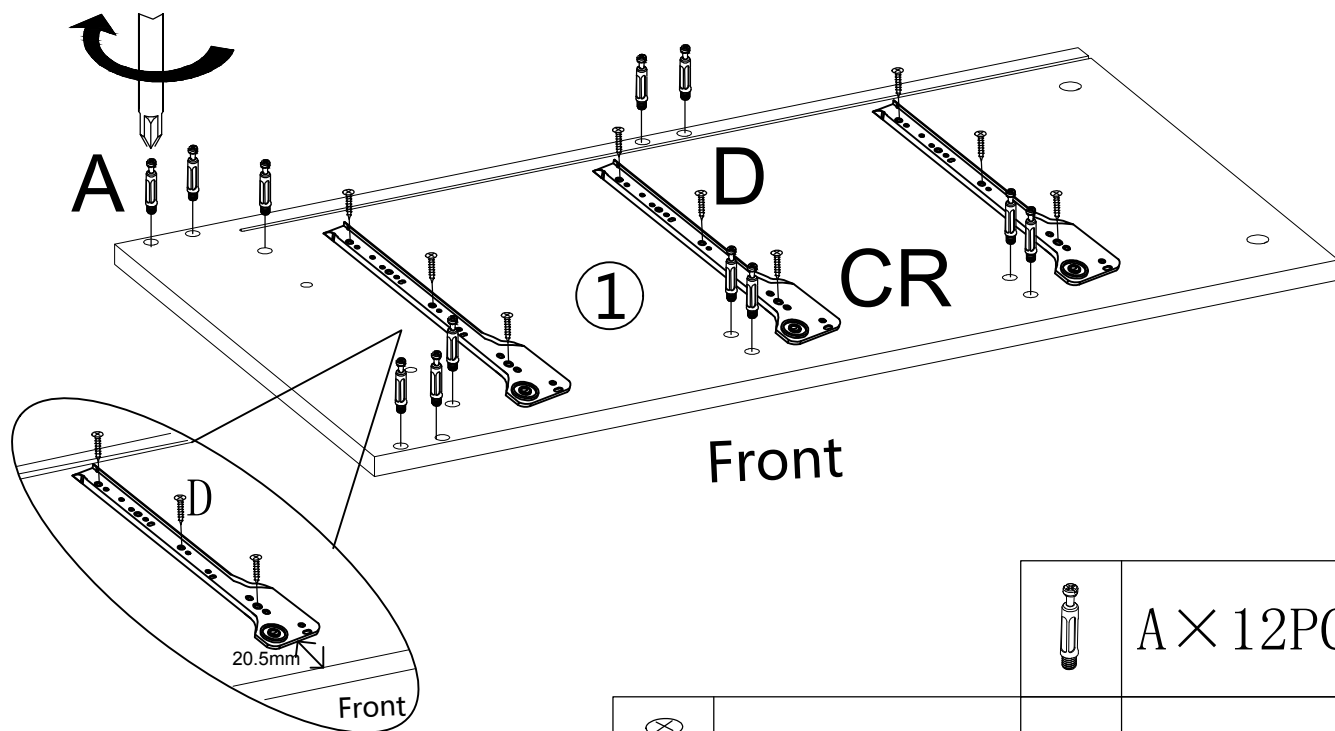
	D × 2PCS		L1 × 1PC		L2 × 1PC
---	----------	---	----------	---	----------




# STEP 10



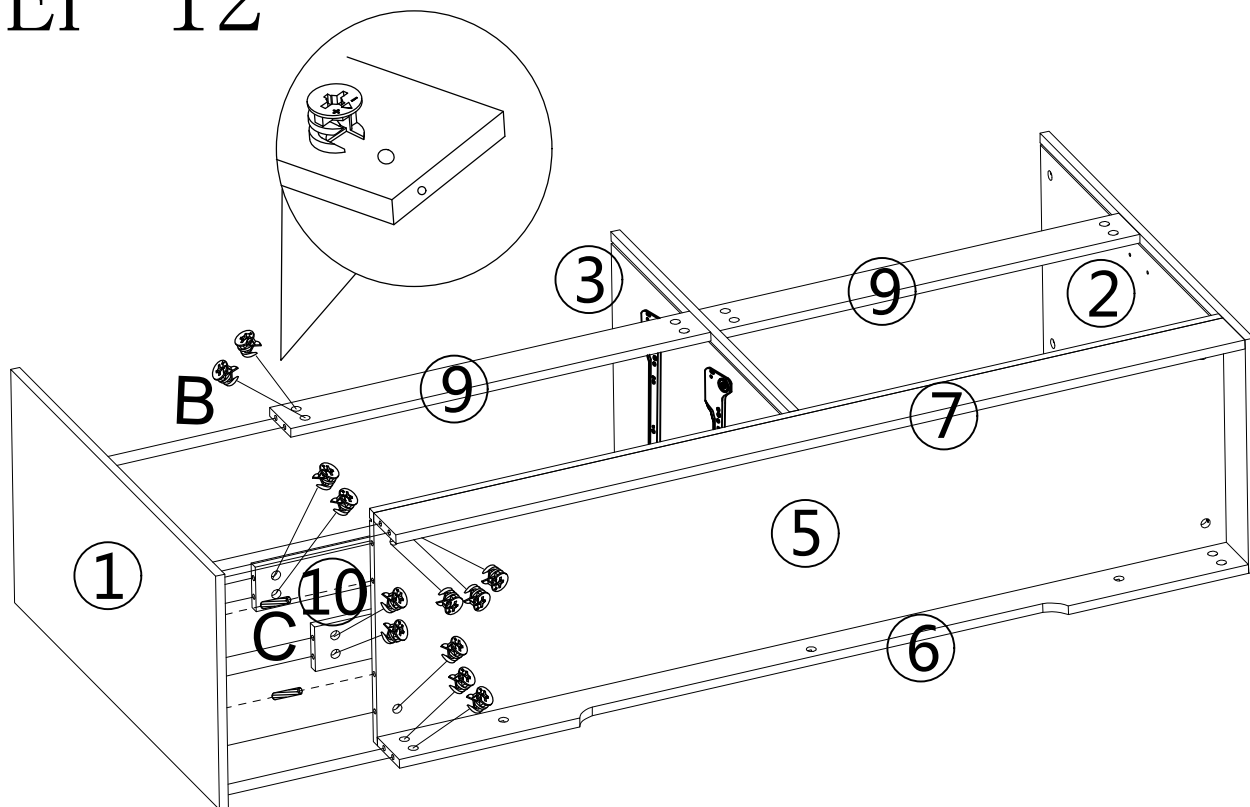
	B × 4PCS
---	----------



# STEP 11



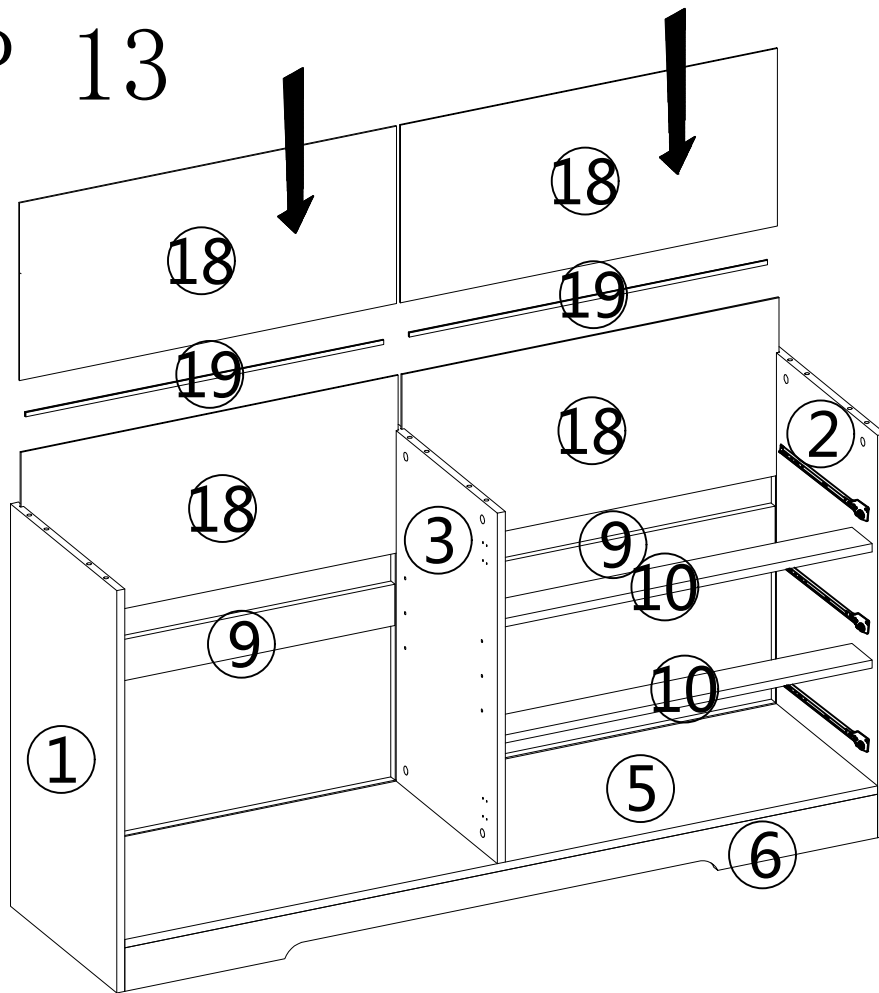
	A × 12PCS
	D × 9PCS
	CR × 3PCS

# STEP 12

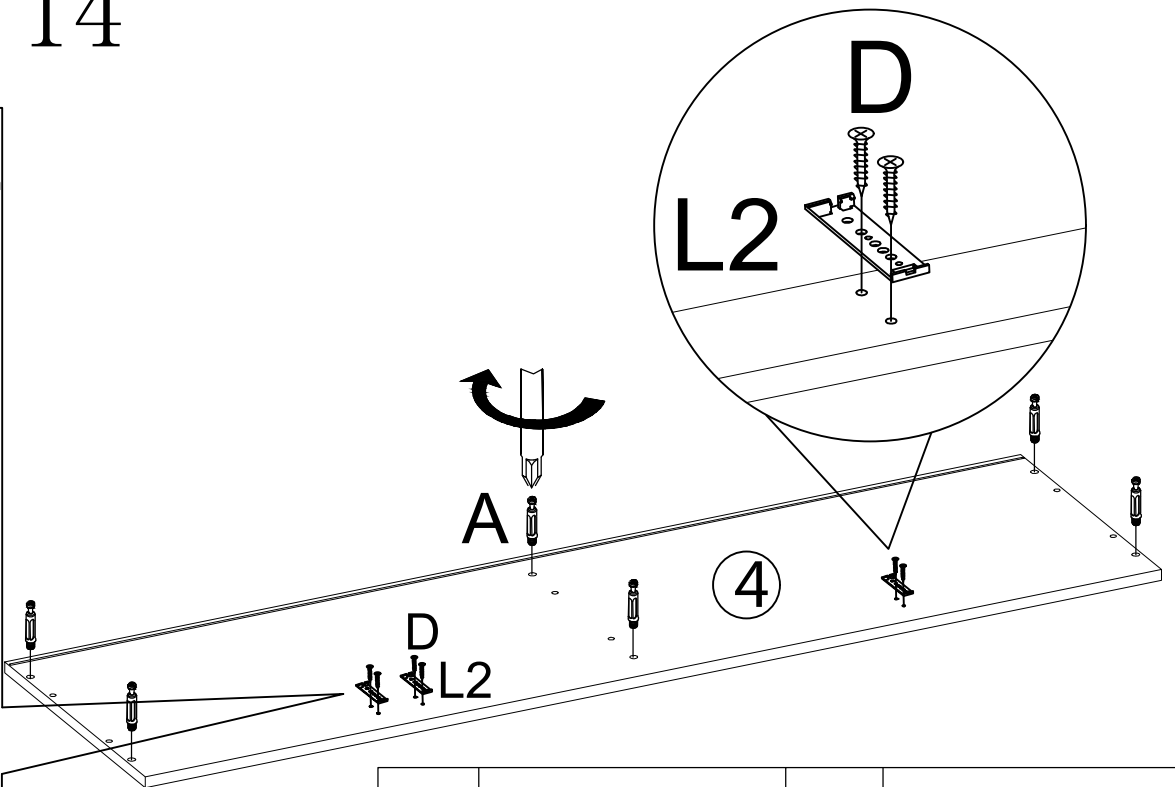
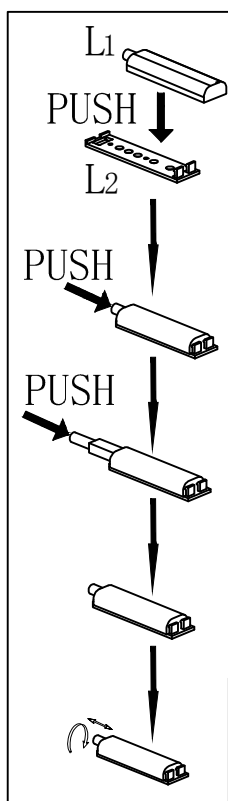




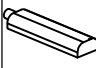
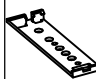
	B × 12PCS		C × 2PCS
---	-----------	---	----------

# STEP 13

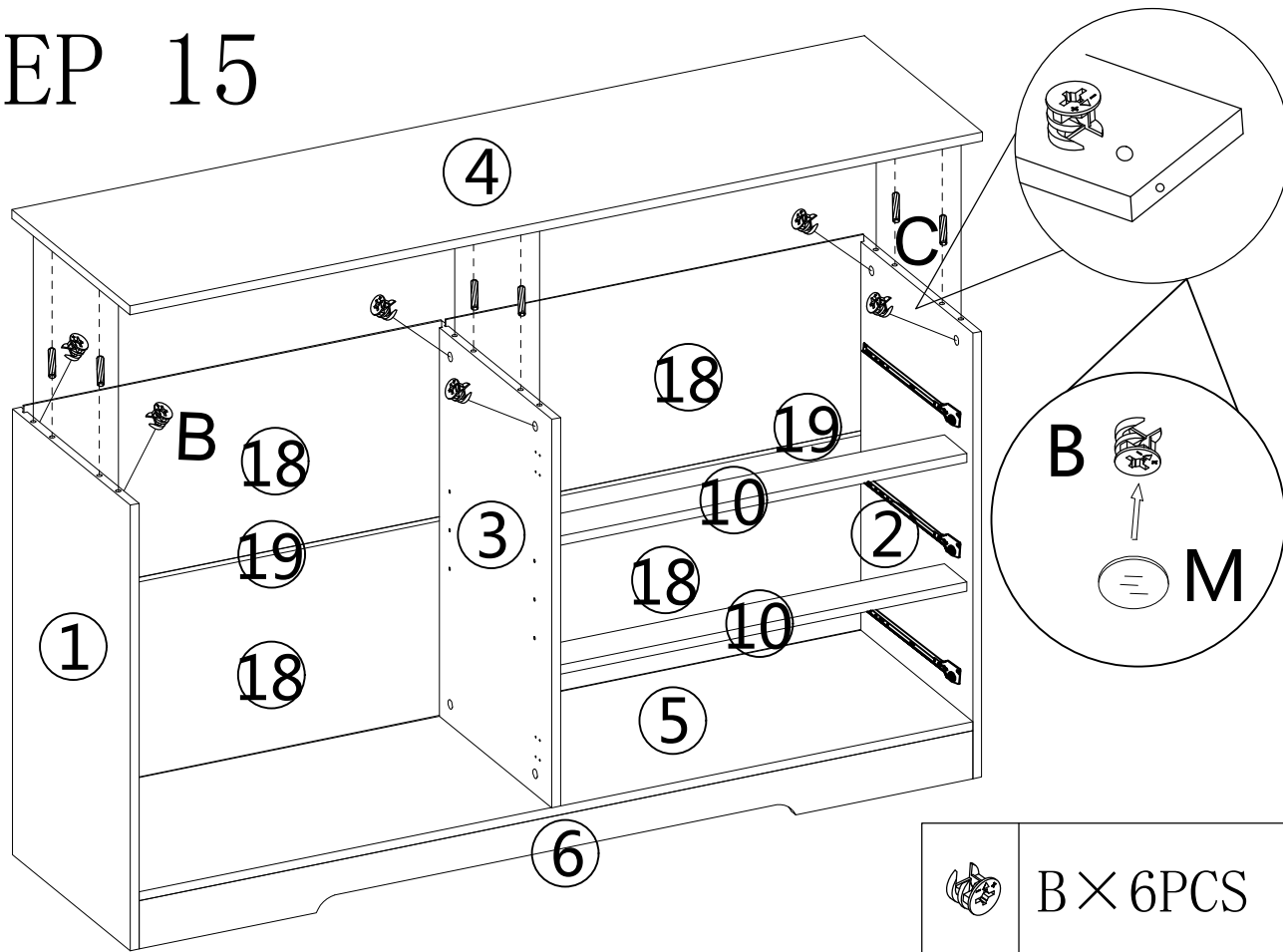





# STEP 14



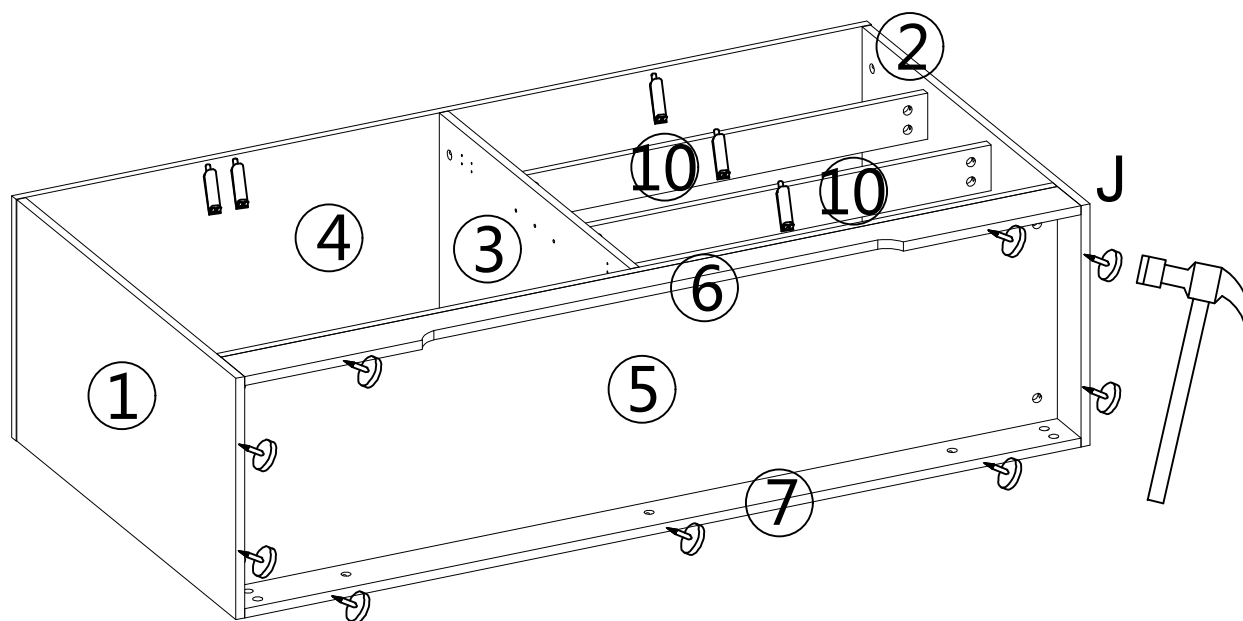
	A × 6PCS		D × 6PCS
	L1 × 3PCS		L2 × 3PCS


# STEP 15



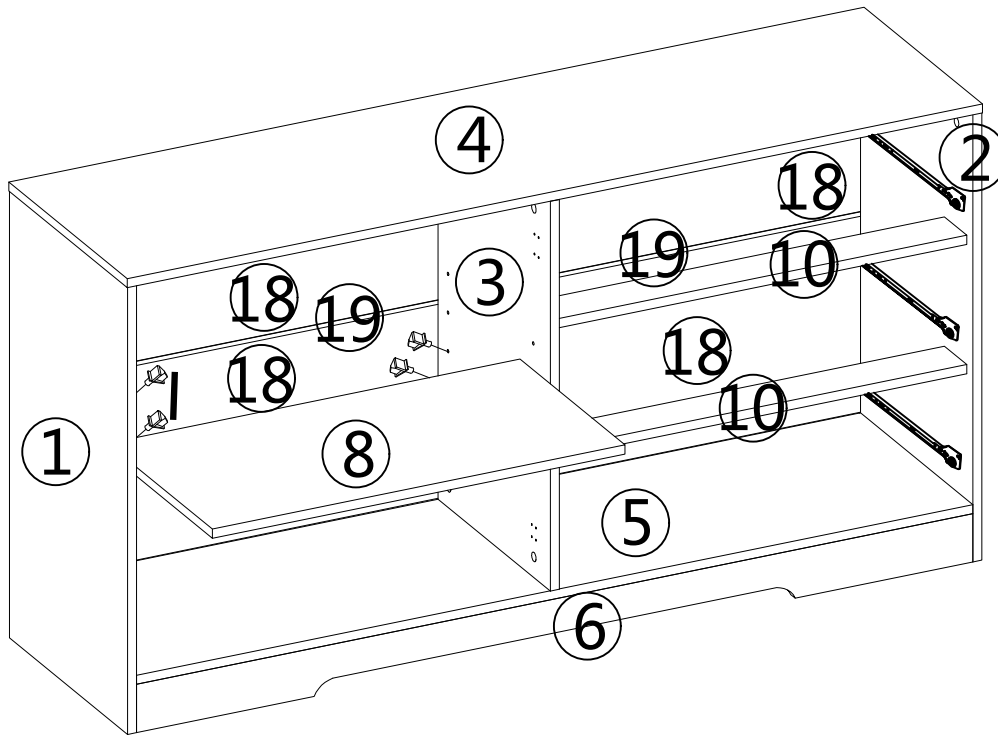
	B × 6PCS
	C × 6PCS
	M × 42PCS

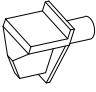
# STEP 16



	J × 9PCS
---	----------

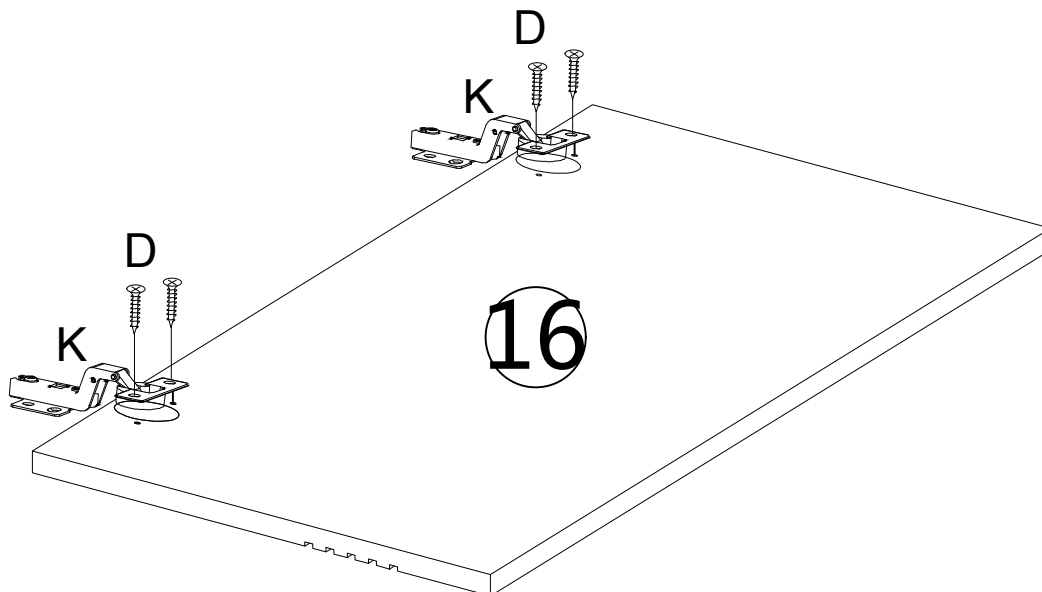
# STEP 17





	I × 4PCS
--	----------

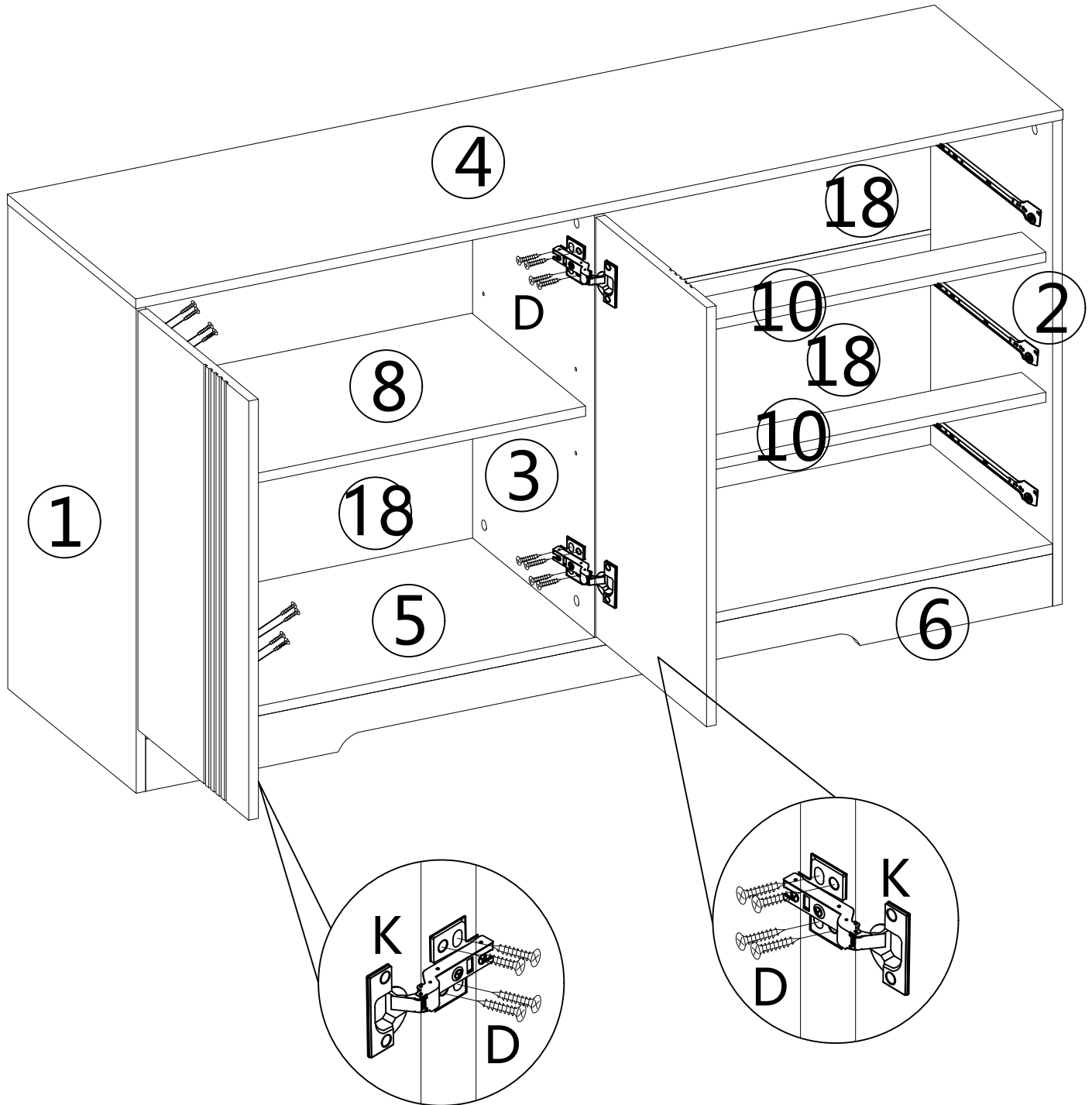
# STEP 18


# X2



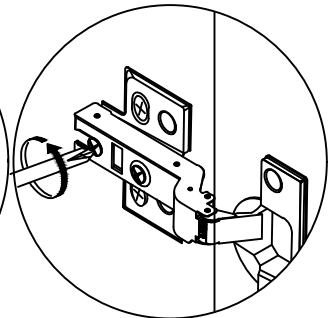
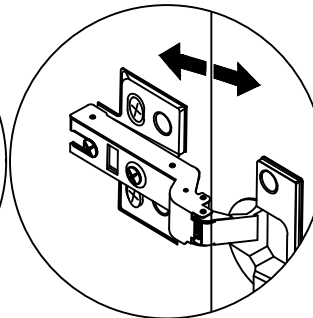
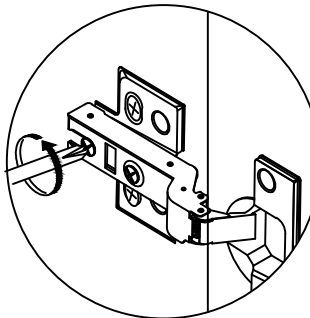
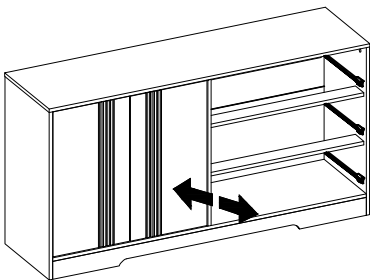
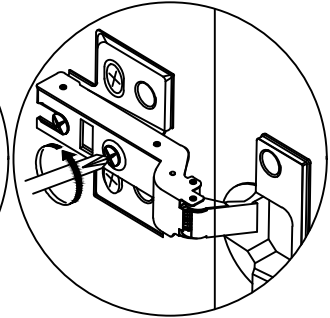
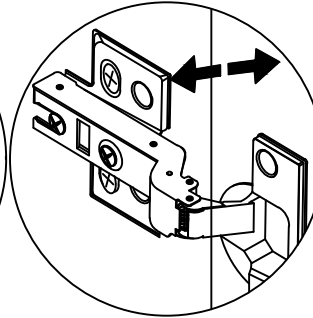
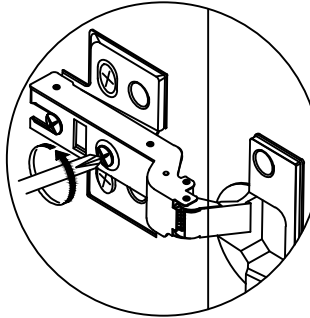
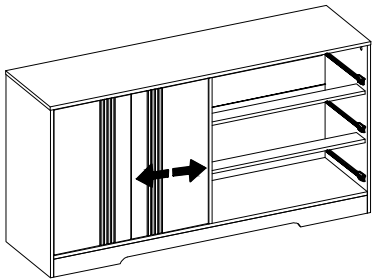
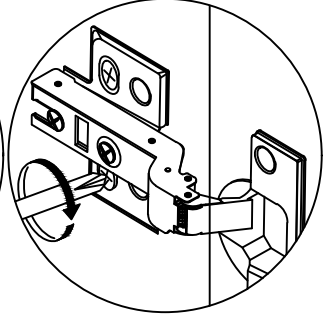
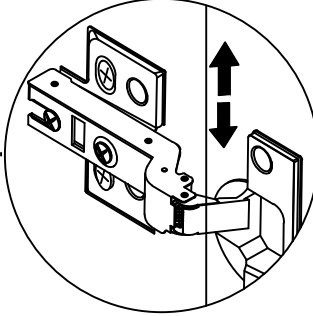
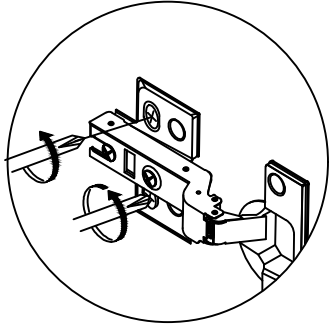
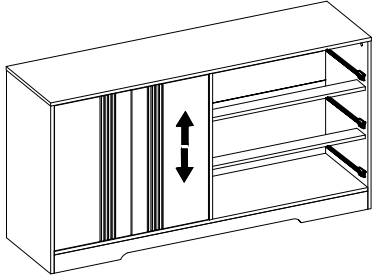
	D × 4PCS		K × 2PCS
---	----------	---	----------

# STEP 19



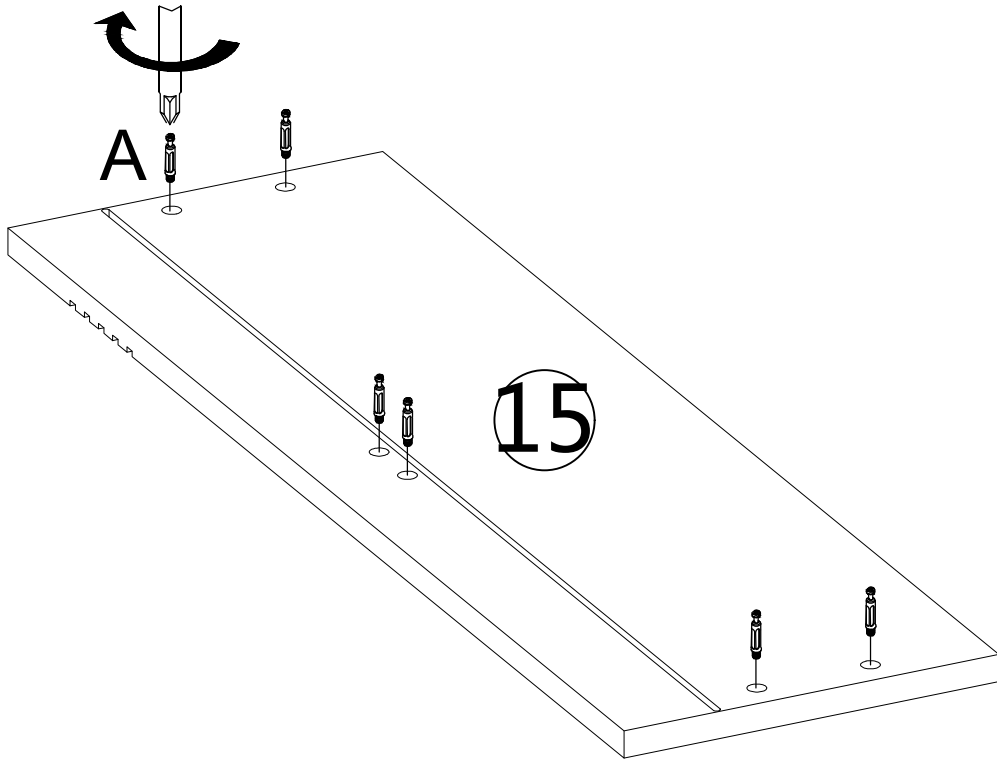
	D × 16PCS
---	-----------

# STEP 20



STEP 21

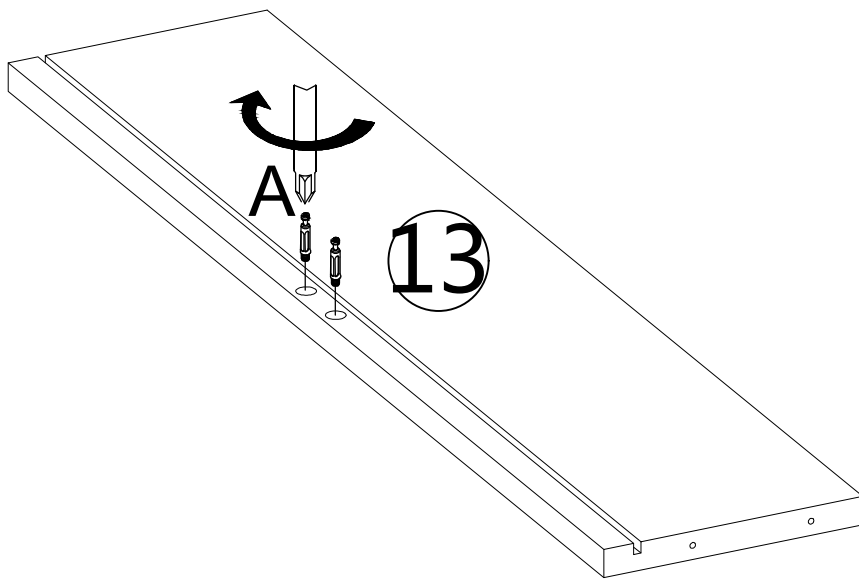
X3




	A × 6PCS
---	----------

STEP 22

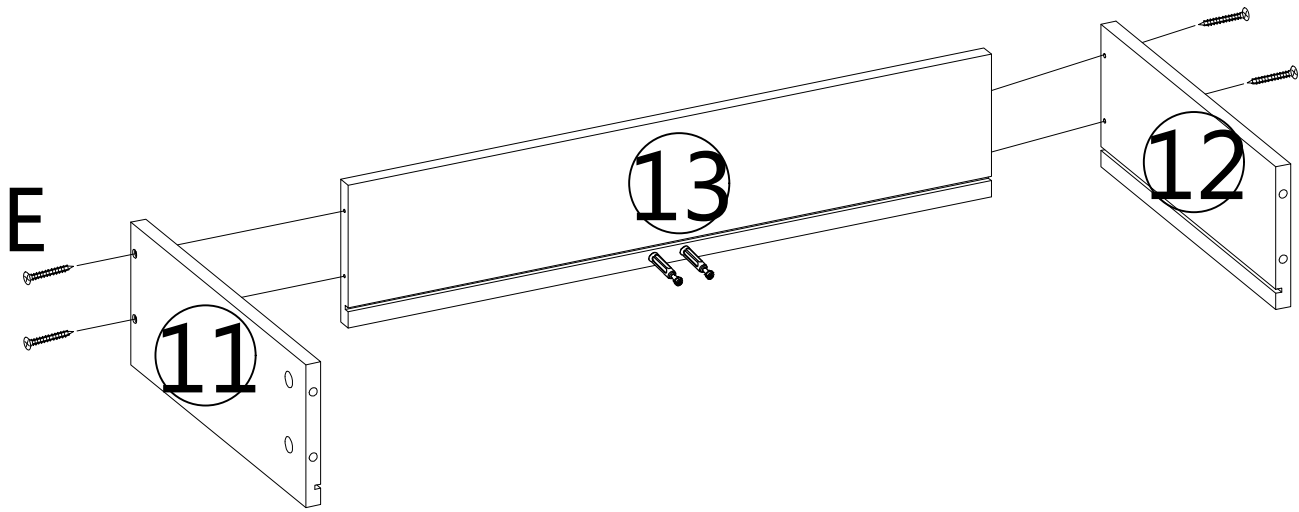
X3



	A × 2PCS
---	----------

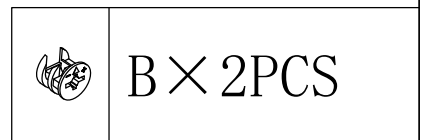
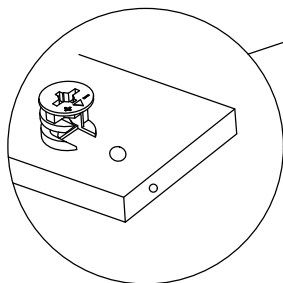
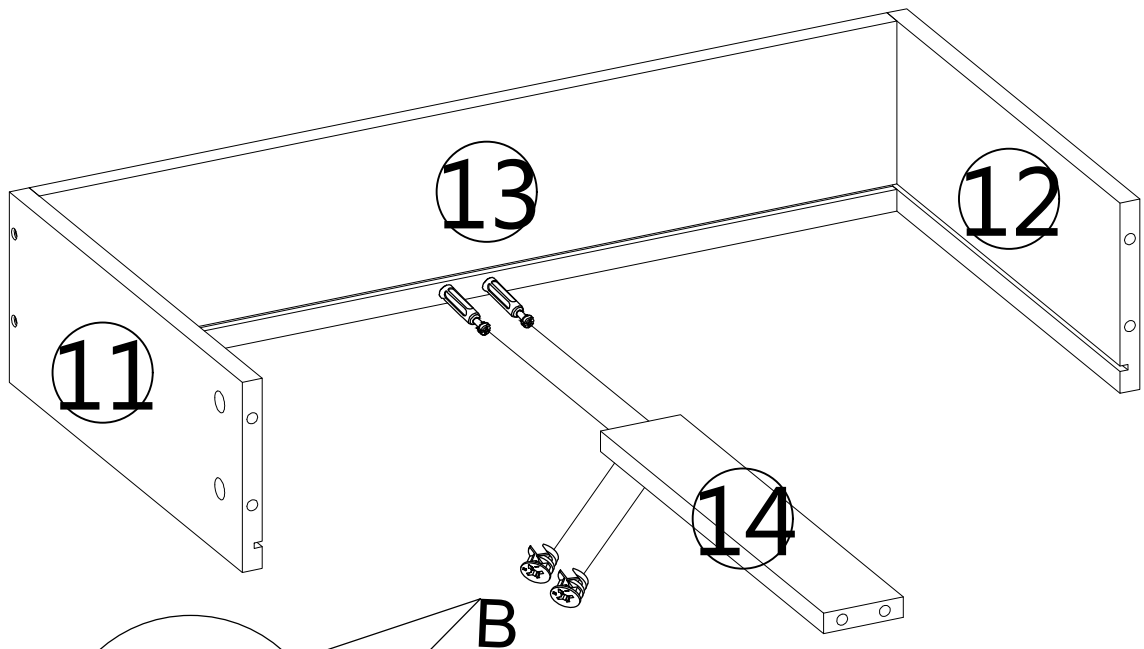
STEP 23

X3



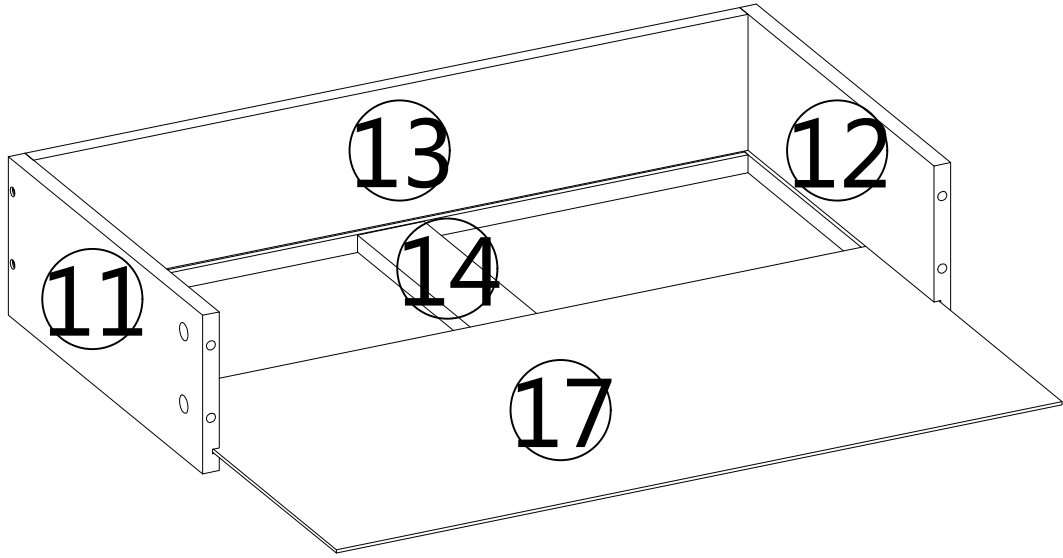
STEP 24

X3



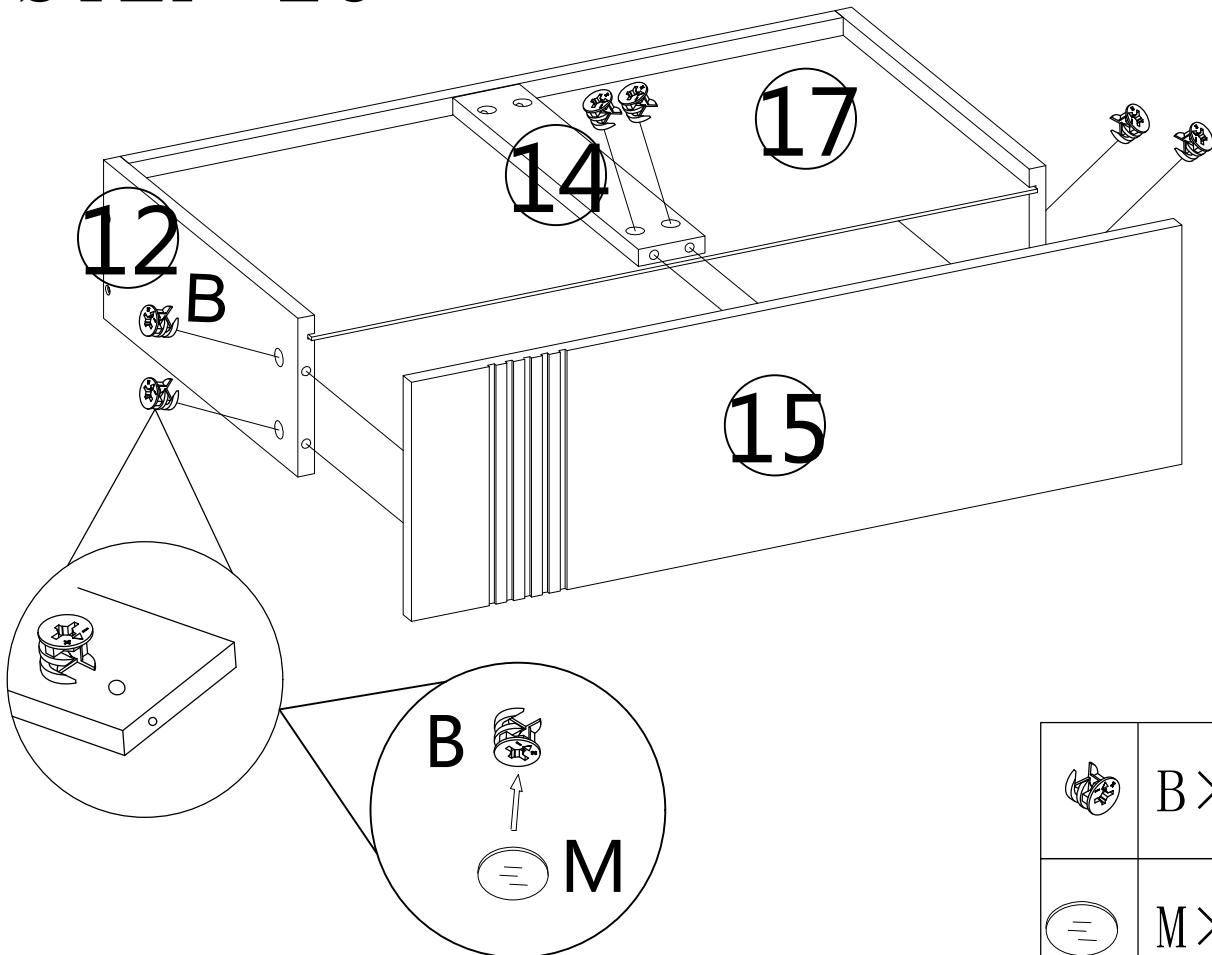
STEP 25



X3



STEP 26

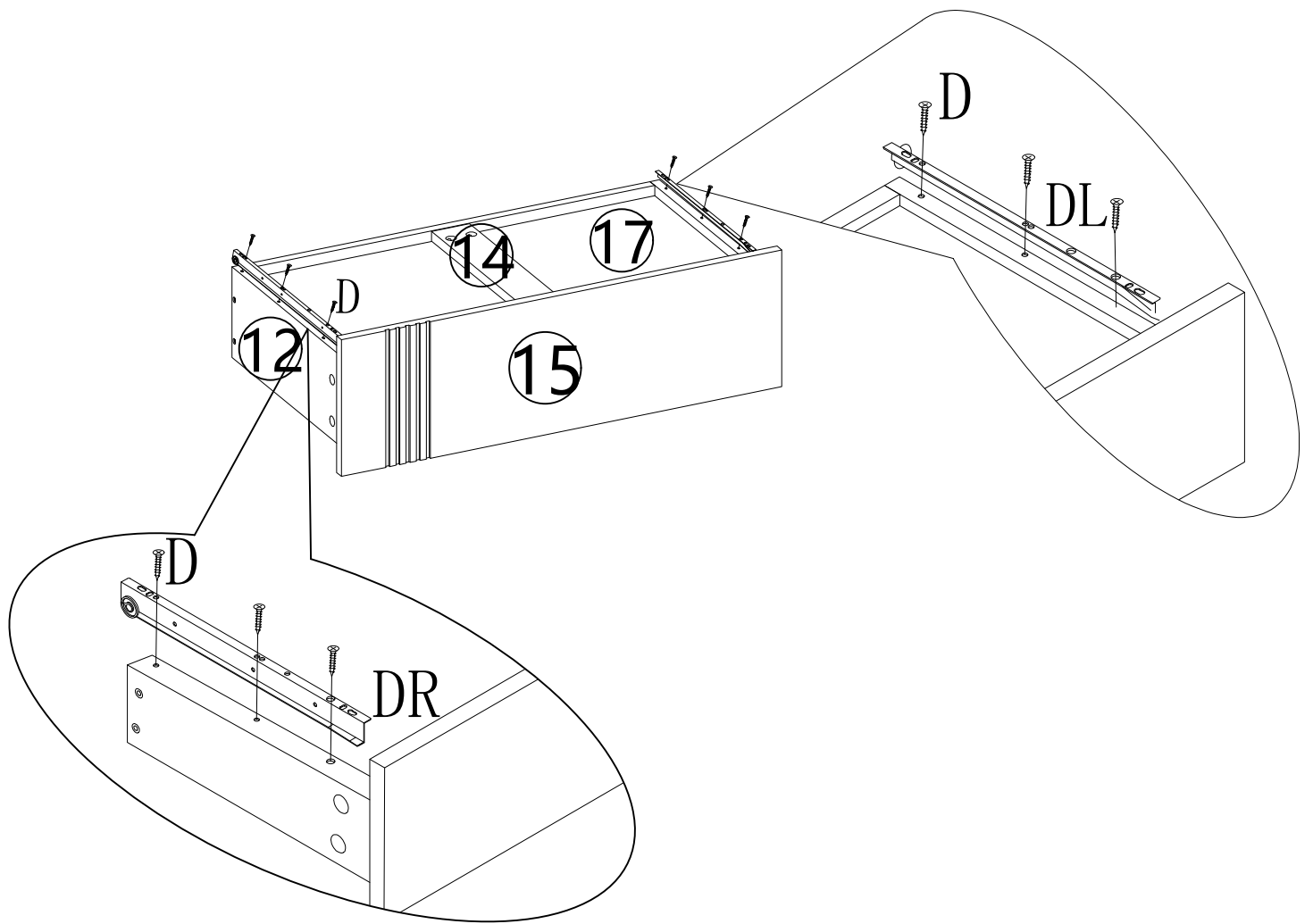
X3

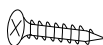




	B × 6PCS
	M × 8PCS

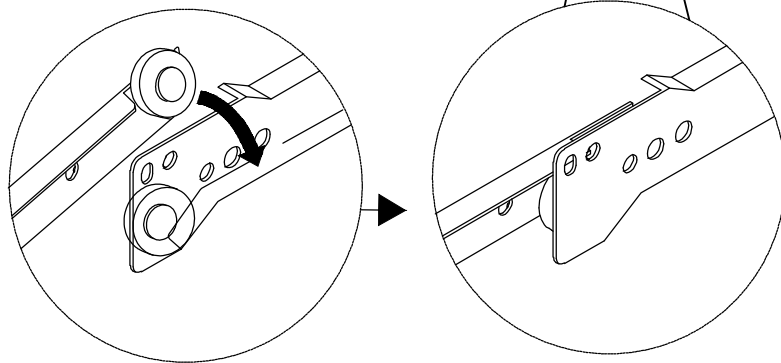
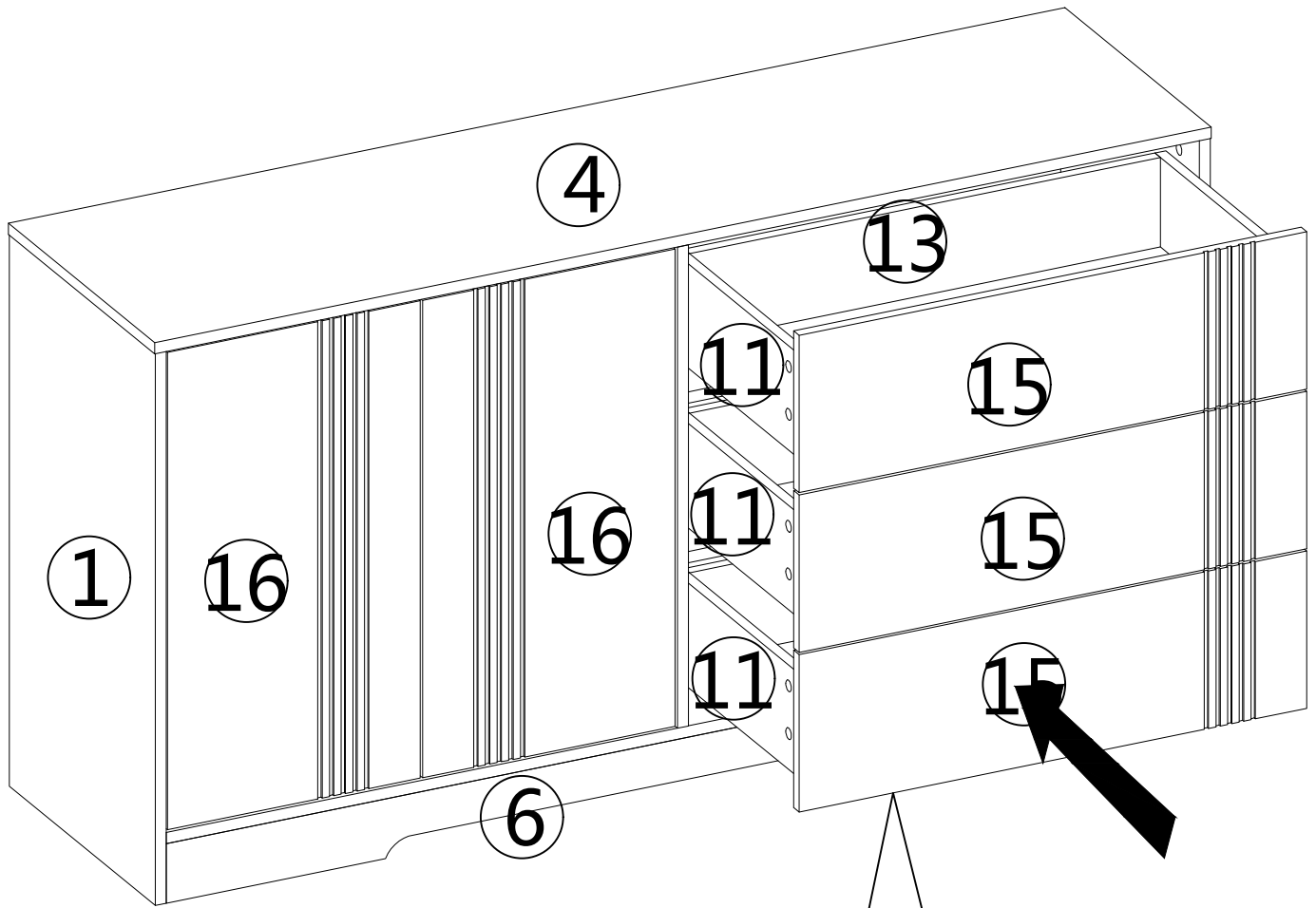
# STEP 27

# X3

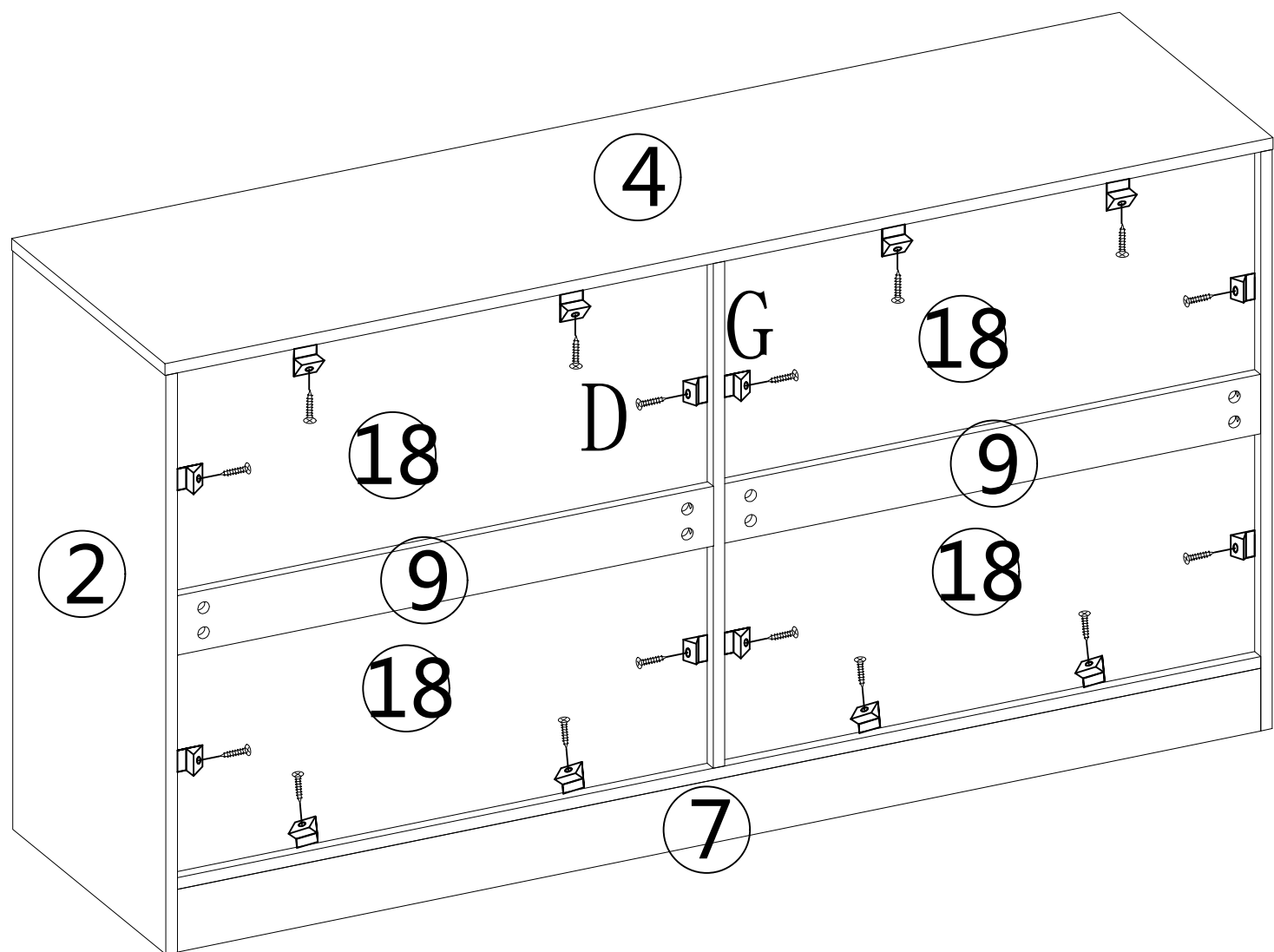




	D × 6PCS
	DR × 1PCS
	DL × 1PCS

# STEP 28

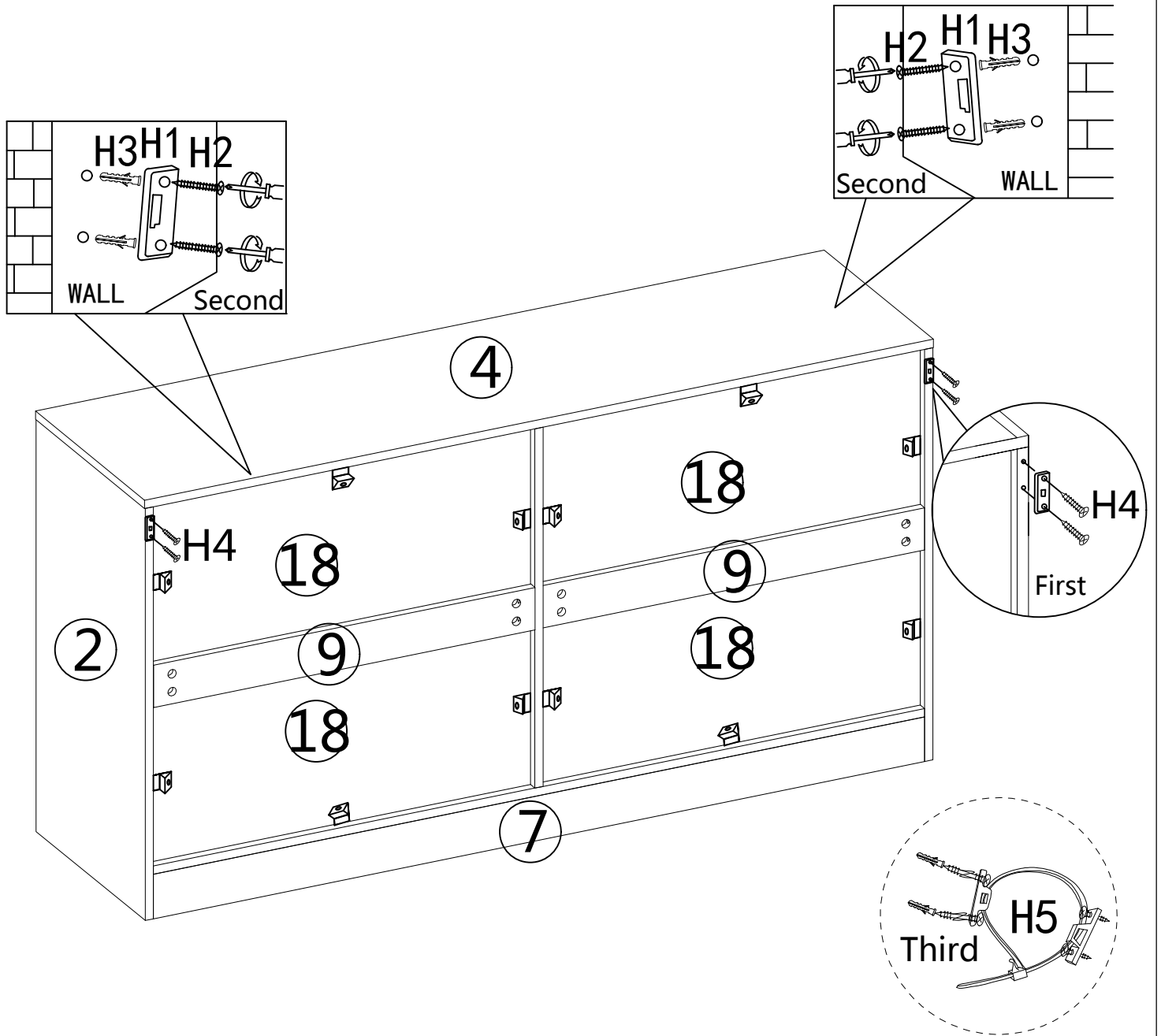


# STEP 29



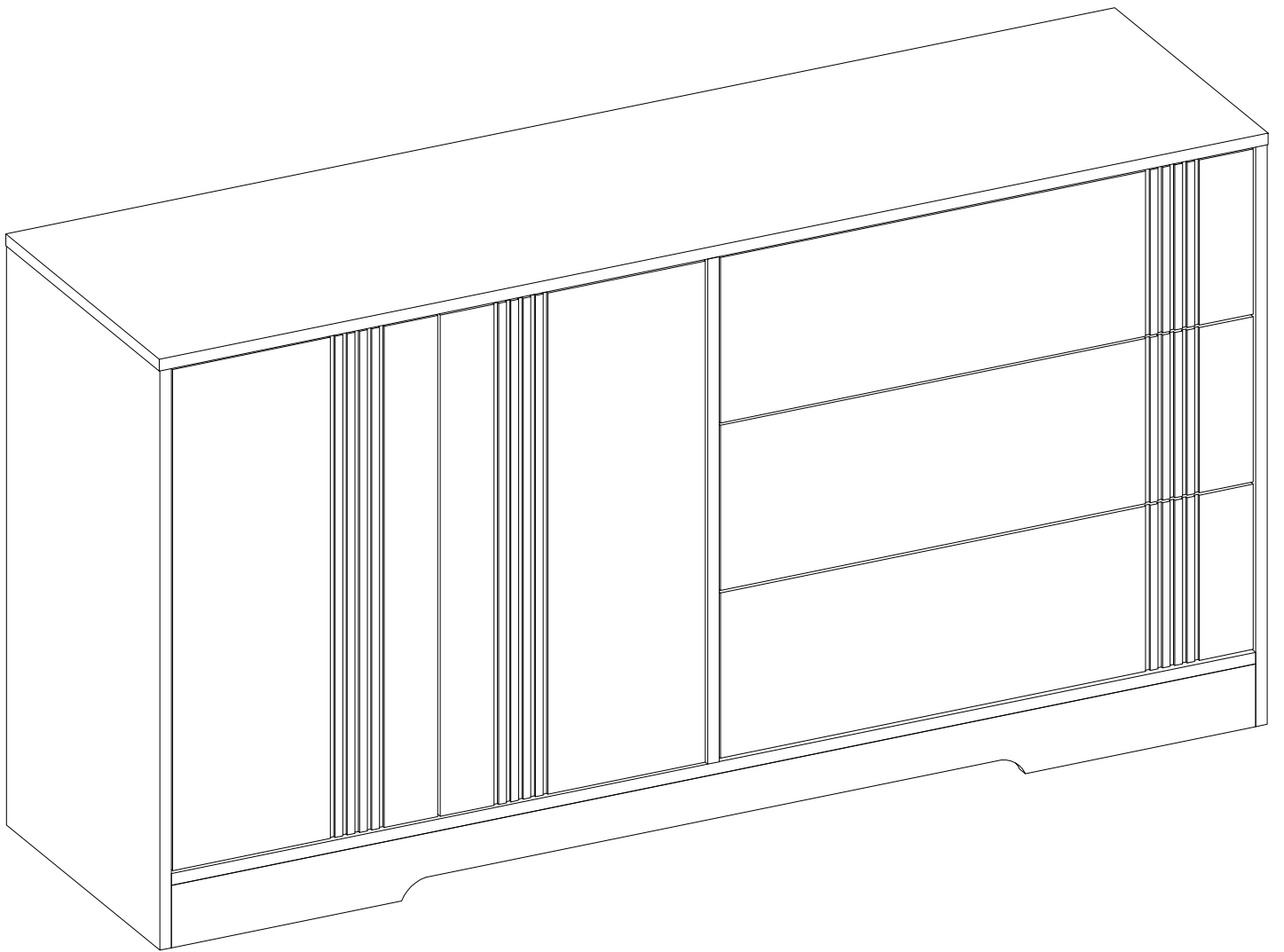
	D × 16PCS
	G × 16PCS

# STEP 30



		H1 × 2PCS
		H2 × 4PCS
		H3 × 4PCS
		H4 × 4PCS
		H5 × 2PCS

END





## WARNING



Children have died from furniture tipover. To reduce the risk of furniture tipover:

- **ALWAYS** install tipover restraint provided.
- **NEVER** put a TV on this product.
- **NEVER** allow children to stand, climb or hang on drawers, doors, or shelves.
- **NEVER** open more than one drawer at a time.
- Place heaviest items in the lowest drawers.

