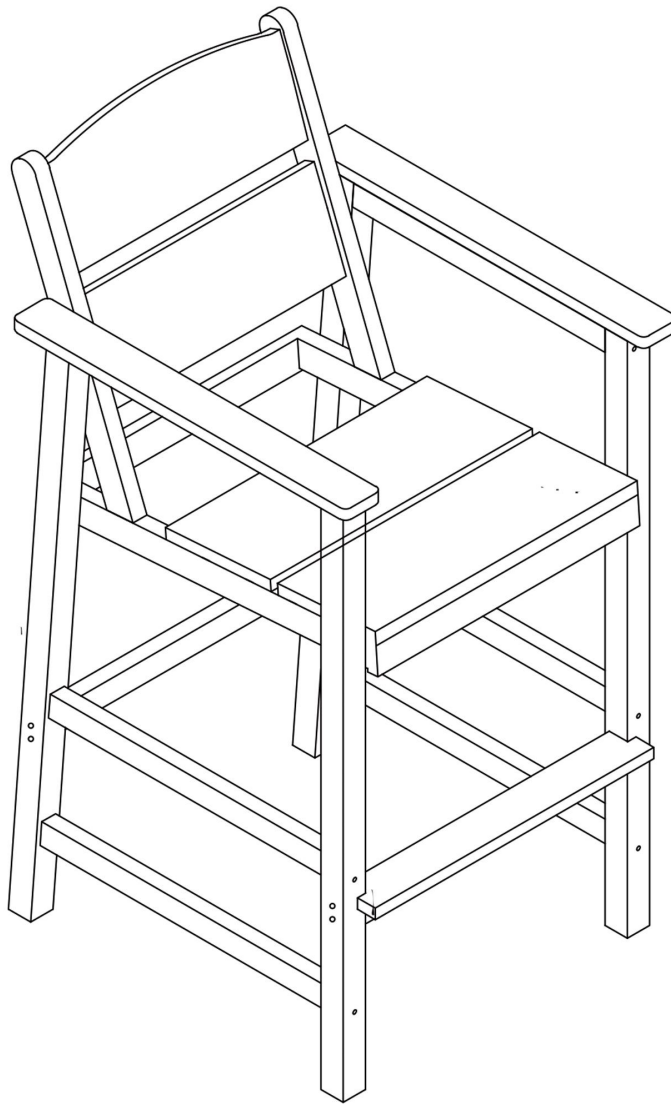


USER'S MANUAL

Product Name: **Bar Chair**



THIS INSTRUCTION BOOKLET CONTAINS **IMPORTANT SAFETY INFORMATION**.
PLEASE READ AND KEEP FOR FUTURE REFERENCE.

Contact Us

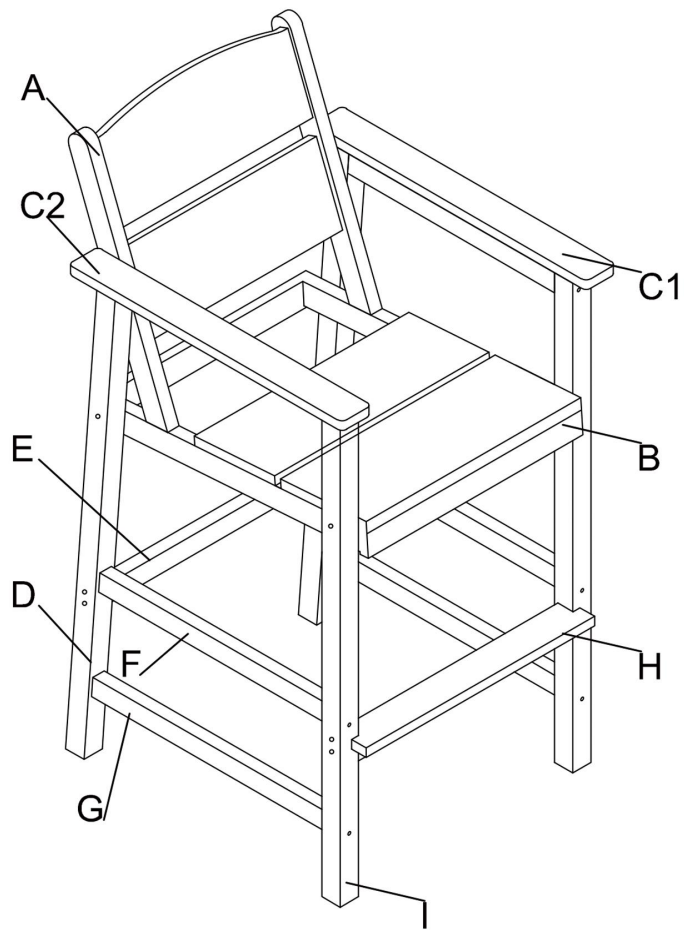
If you have any problem, please give us a chance to make it right for you!



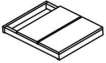












Contact our friendly customer service department for help first. Replacements for missing or damaged parts will be shipped ASAP!

Before You Start

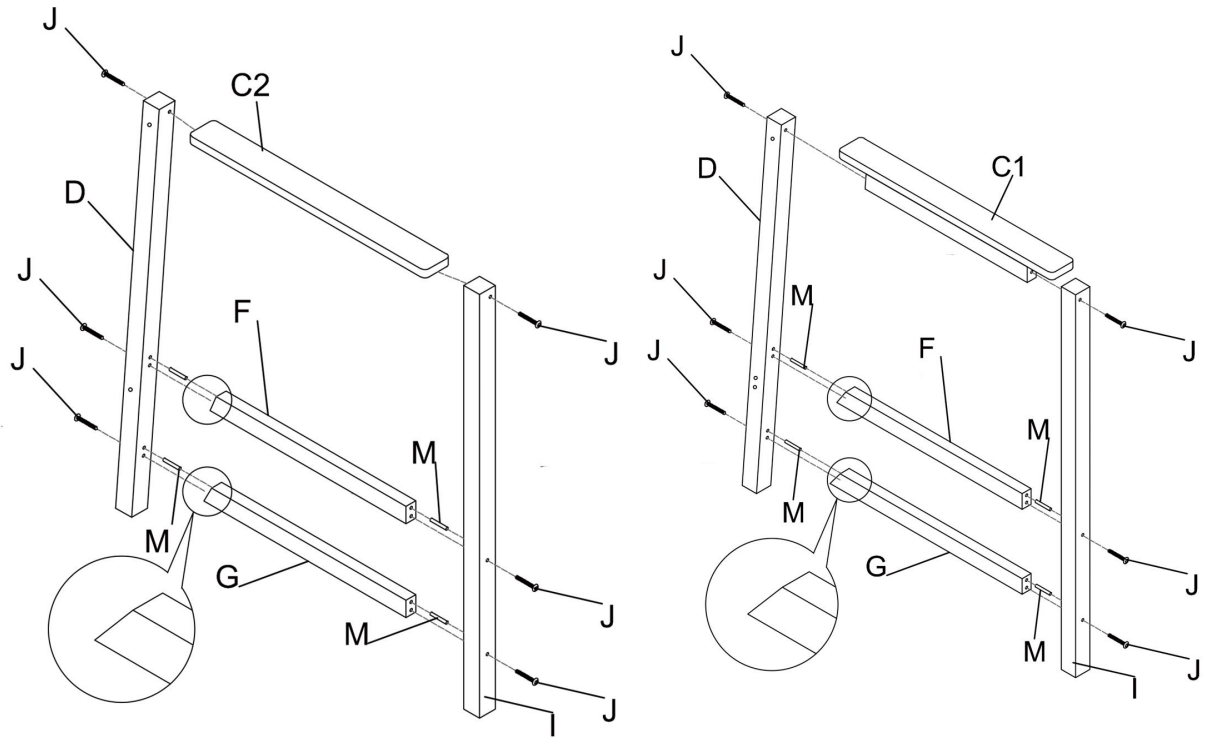
- Please read all instructions carefully.
- Retain instructions for future reference.
- Separate and count all parts and hardware.
- Read through each step carefully and follow the proper order.
- We recommend that, where possible, all items are assembled near to the area in which they will be placed in use, to avoid moving the product unnecessarily once assembled.
- Always place the product on a flat, steady and stable surface.
- Keep all small parts and packaging materials for this product away from babies and children.

KNOW YOUR PARTS

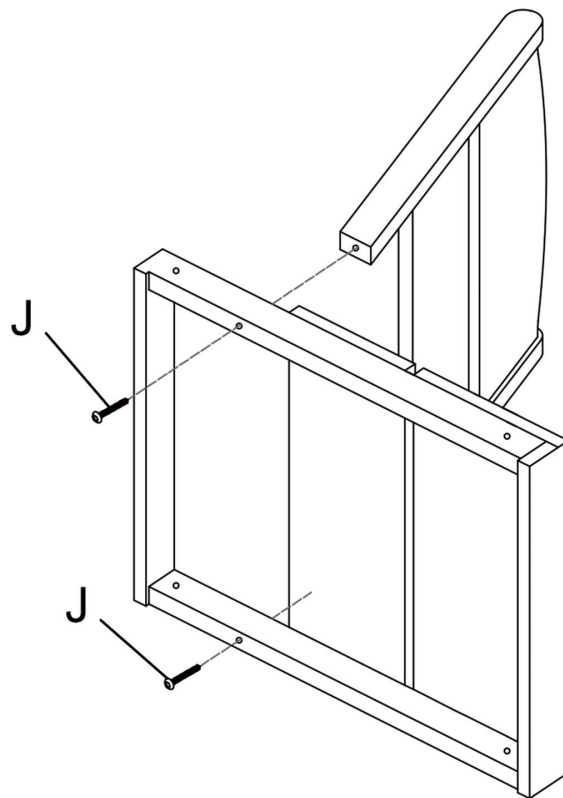


	A X1	 (J) M6*70mm X23
	B X1	 (K) M6*55mm X2
	C1 X1	 (L) M6*80mm X4
	C2 X1	 (M) Ø6*38 X8
	D X2	 (N) 4mm X1
	E X1	
	F X2	
	G X2	
	H X1	
	I X2	

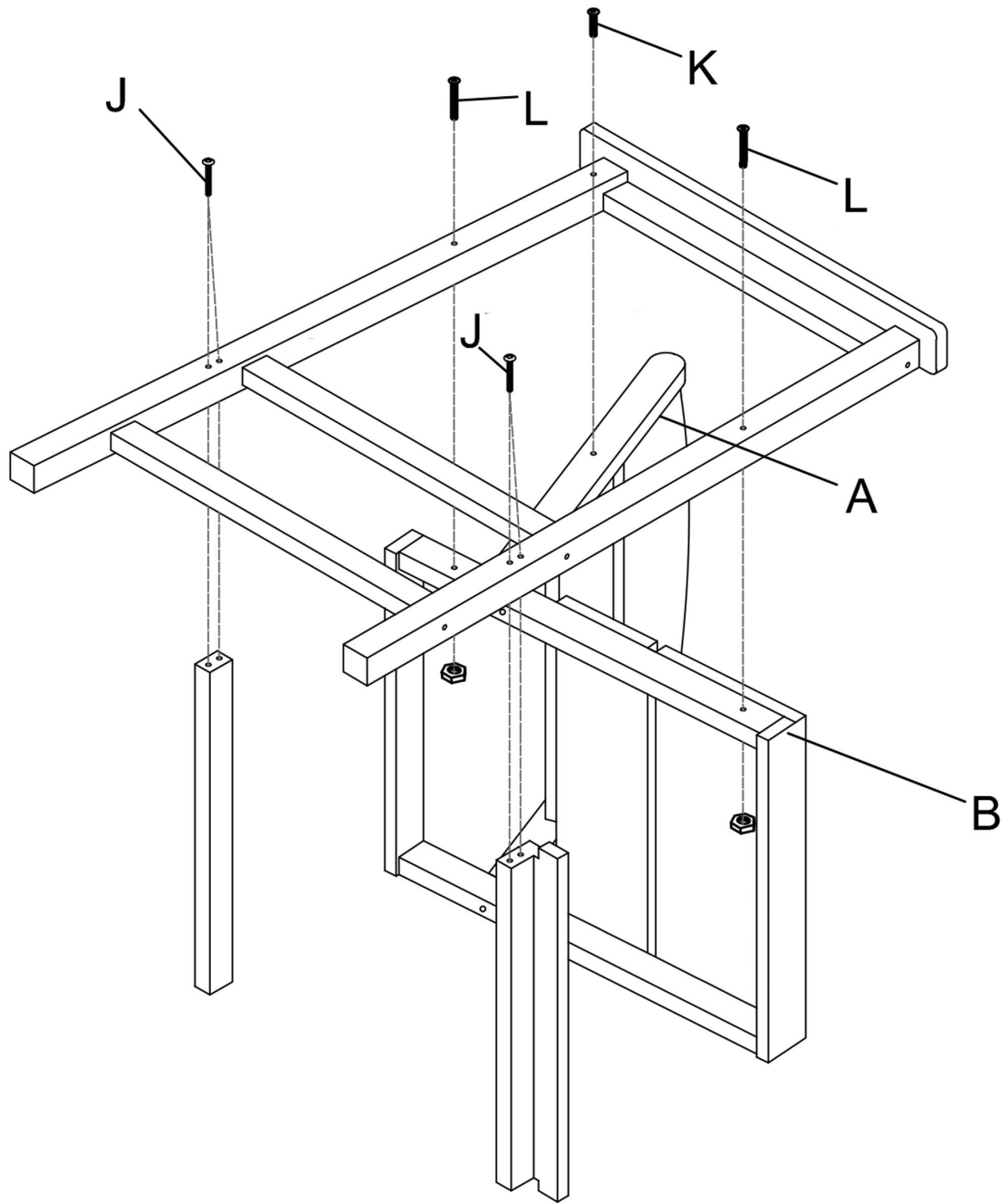
Step 1:



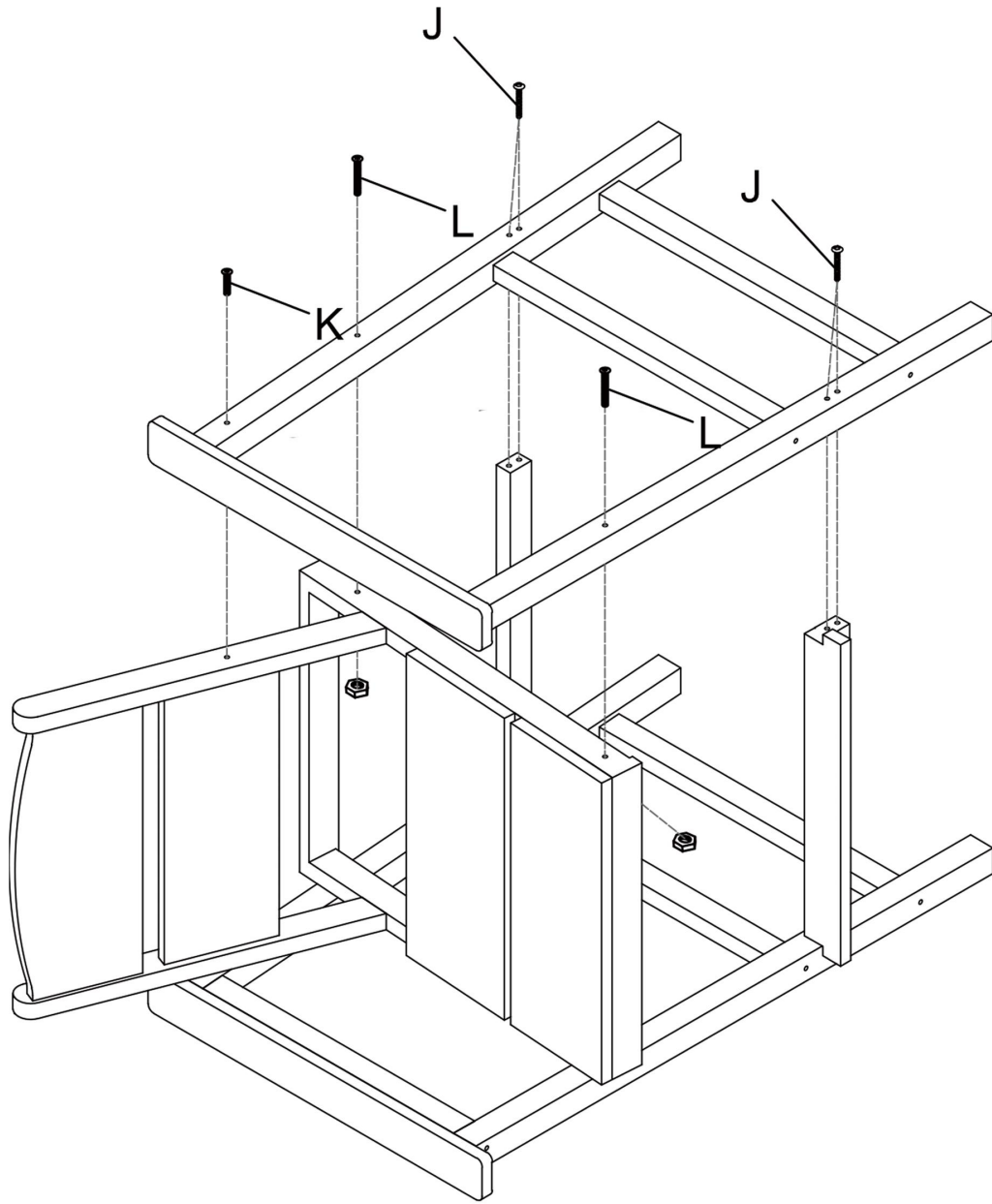
Step 2:



Step 3:



Step 4:



Step 5:

Notice

Tighten all screws after installation

