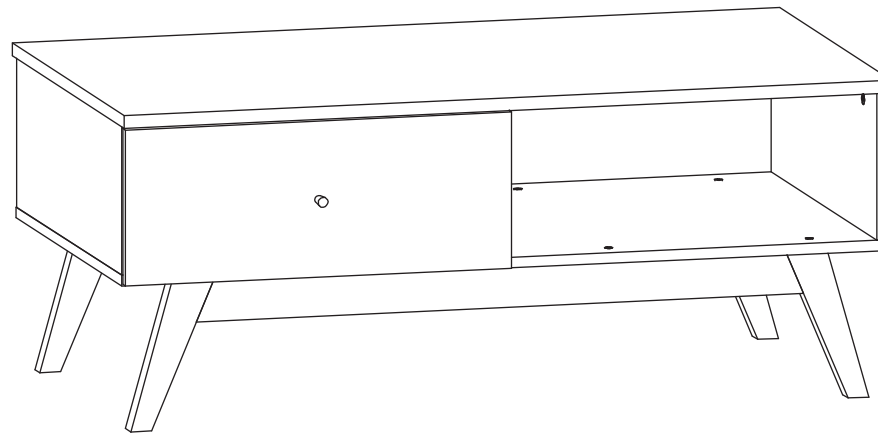


# COFFEE TABLE

## ASSEMBLY INSTRUCTIONS

---

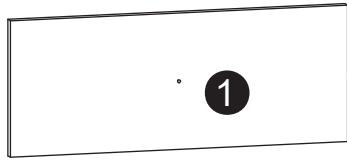
- Please DO NOT dispose packaging material till you are satisfied with the finished product.
- Place all the parts on a clean and smooth surface such as rug or carpet to avoid the parts being from dirty or scratched.
- Before you begin assembly, please read and follow the assembly instructions step by step process for successful assembly completion.



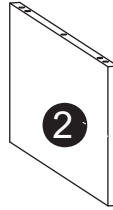
### **WARNING**

- To prevent injury and damage to this unit, PROHIBIT climbing on it.
  - This product is designed for home use and not intended for commercial use.
  - Recommended # of people needed for handling: 2 (however it is always better to have an extra hand.)
  - THIS INSTRUCTION BOOKLET CONTAINS **IMPORTANT** SAFETY INFORMATION. PLEASE READ AND KEEP FOR FUTURE REFERENCE.
-

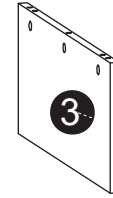
# PARTS



S606-0006  
QTY:1



S606-1009  
QTY:1



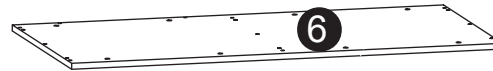
S606-1010  
QTY:1



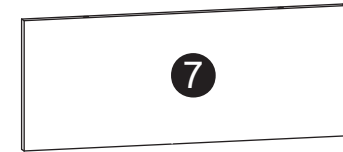
S606-1011  
QTY:1



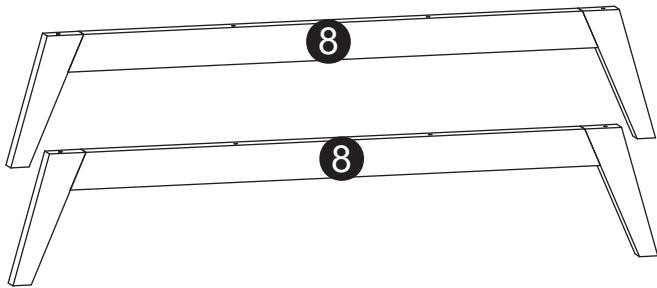
S606-2007  
QTY:1



S606-2008  
QTY:1



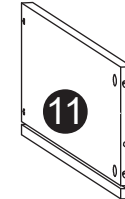
S606-4002  
QTY:1



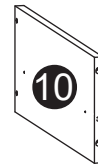
S606-5004  
QTY:2



S606-9009  
QTY:1



ZK1-524  
QTY:1



ZK1-523  
QTY:1



ZS4-5513  
QTY:1

**NOTICE TO CONSUMER:**  
Please do not dispose off packaging materials until product are fully tested, to prevent losing of Parts or Hardware.

---

# HARDWARE

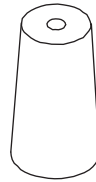
---



W154\1  
2 x



W154\2  
2 x



C472  
1 x



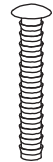
Z1  
1 x



E1  
17 x



R42  
13 x



F25  
4 x



P78  
1 x



P140  
12 x



F1  
16 x



F9  
2 x



R1  
9 x



R15  
4 x



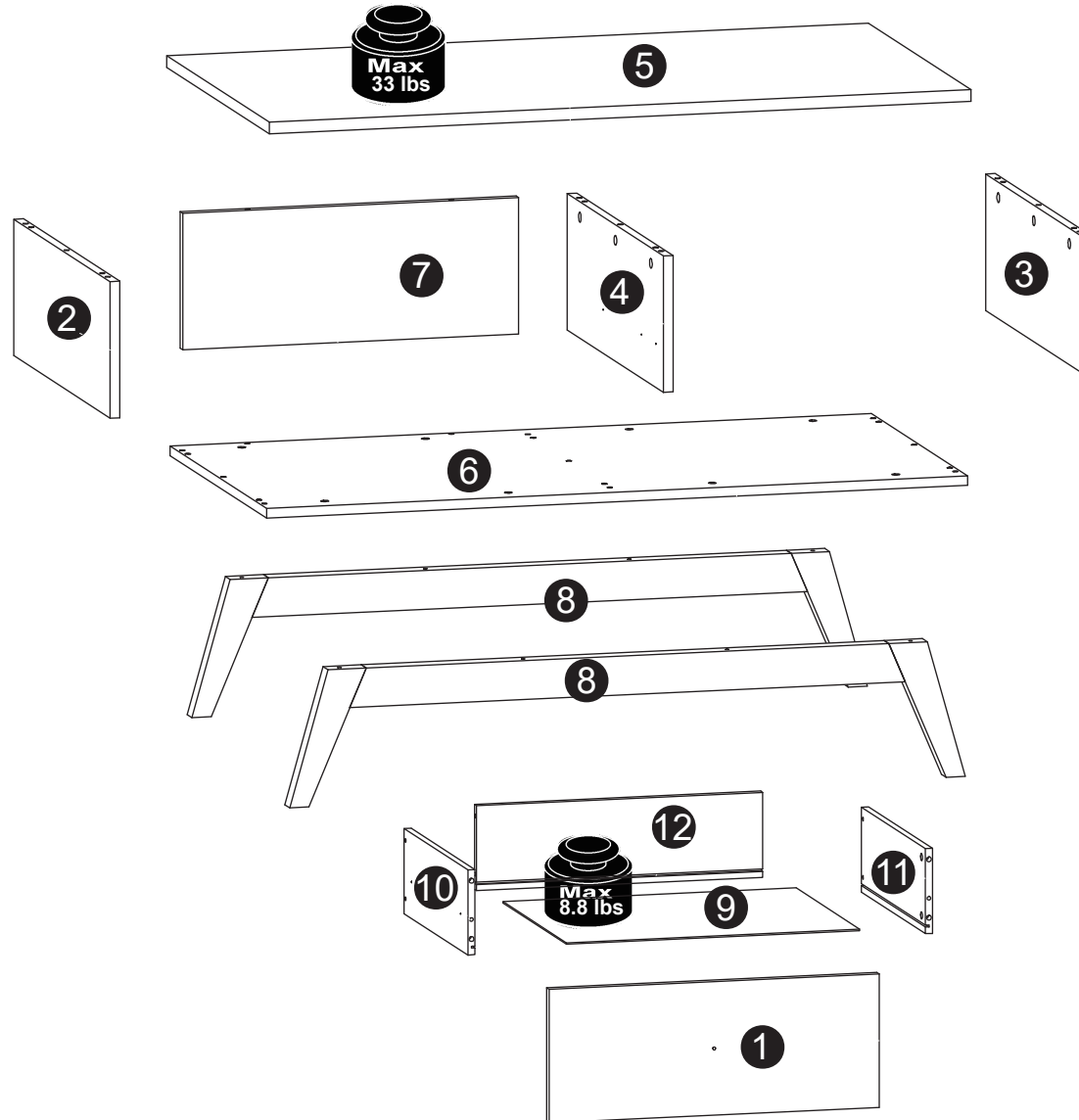
S59  
4 x



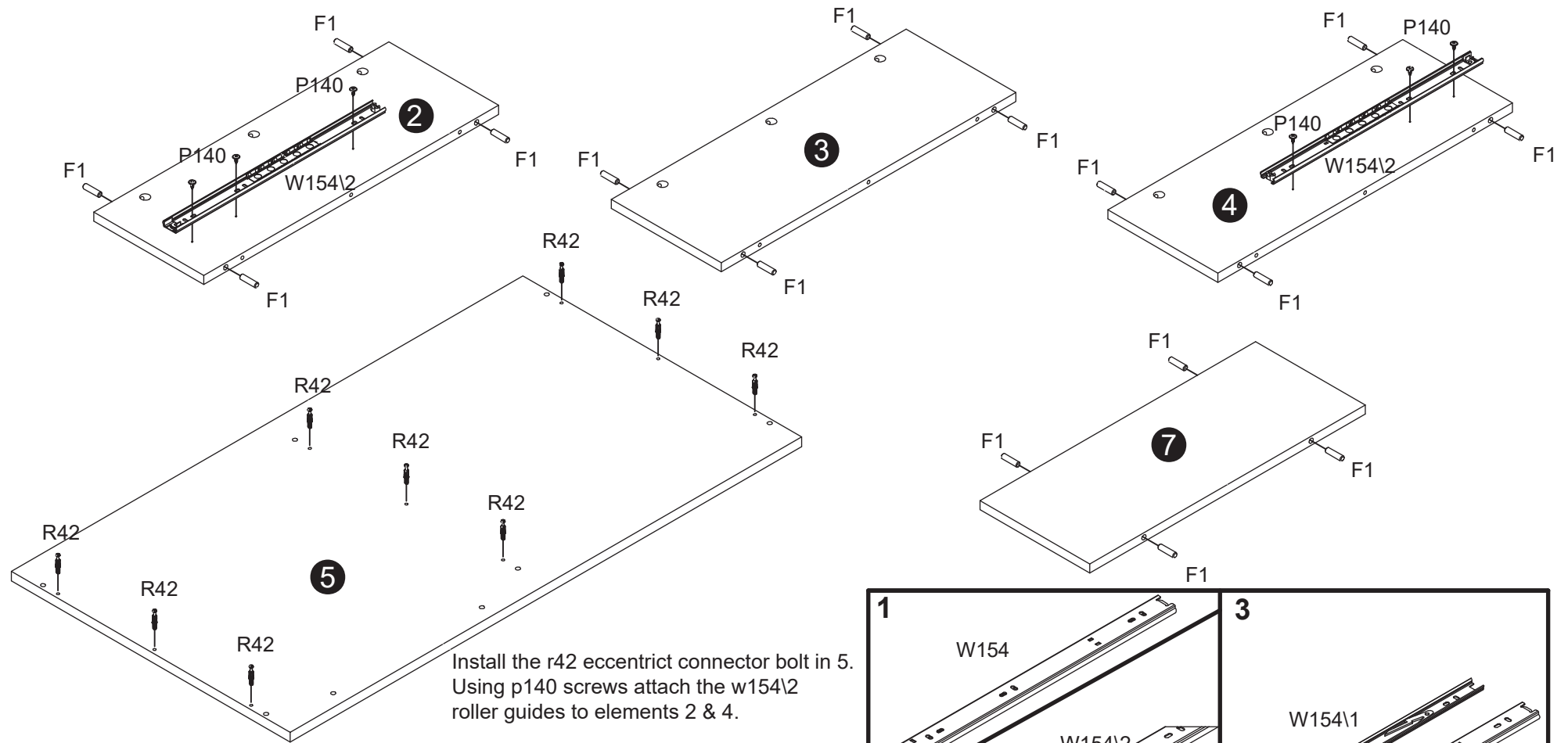
S68  
5 x

---

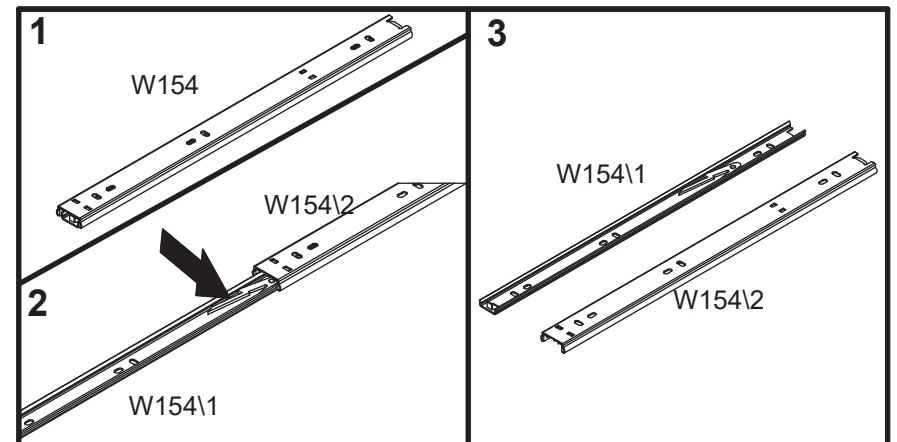
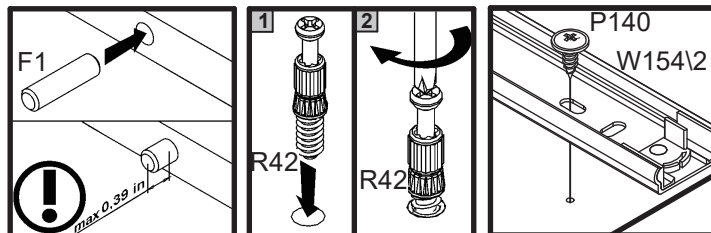
Step 1 :



## Step 2 : Install f1 dowel pins in elements 2, 3, 4 & 7.

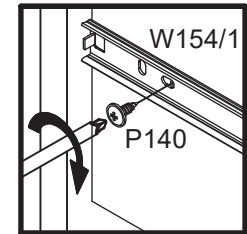
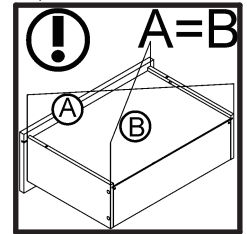
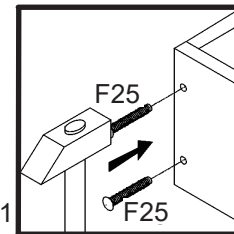
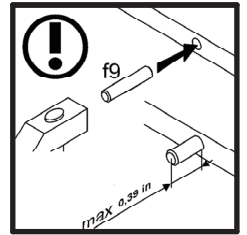
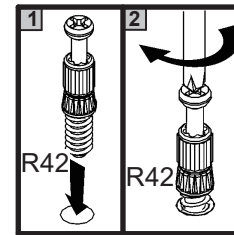
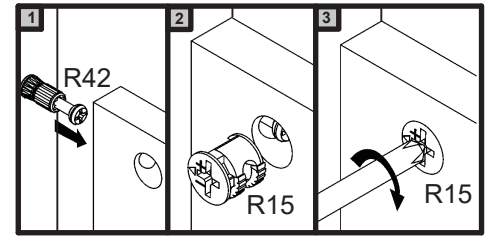
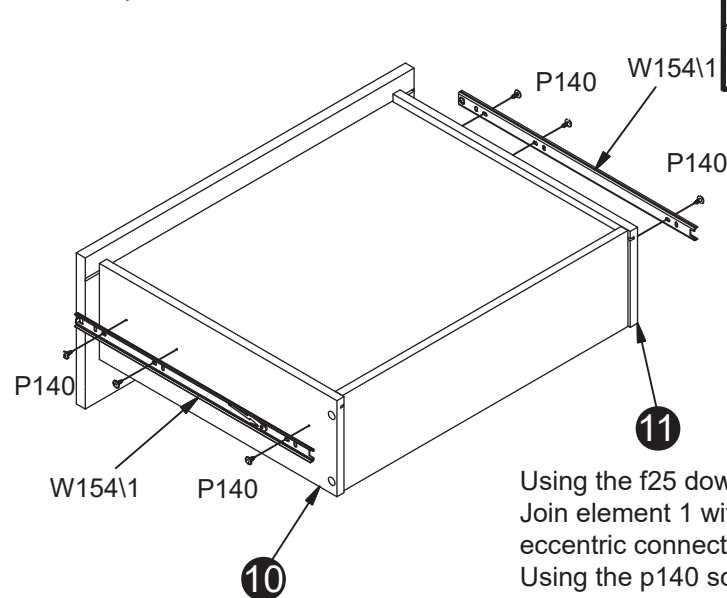
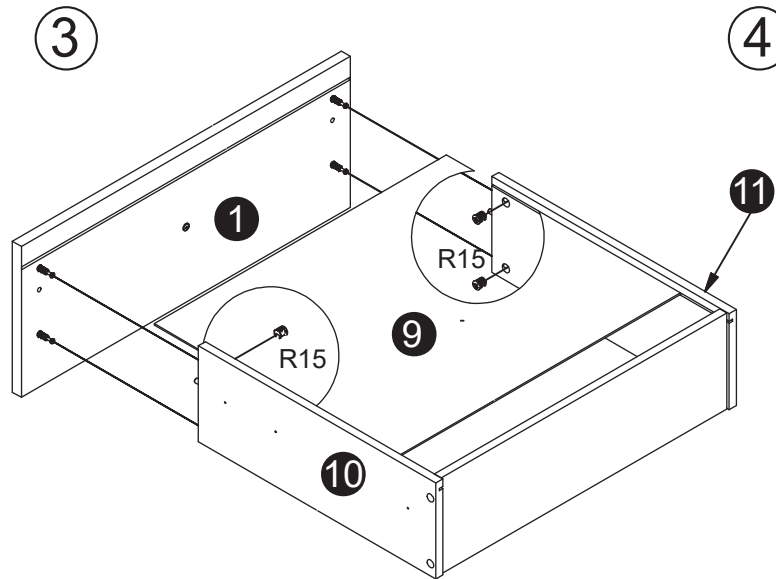
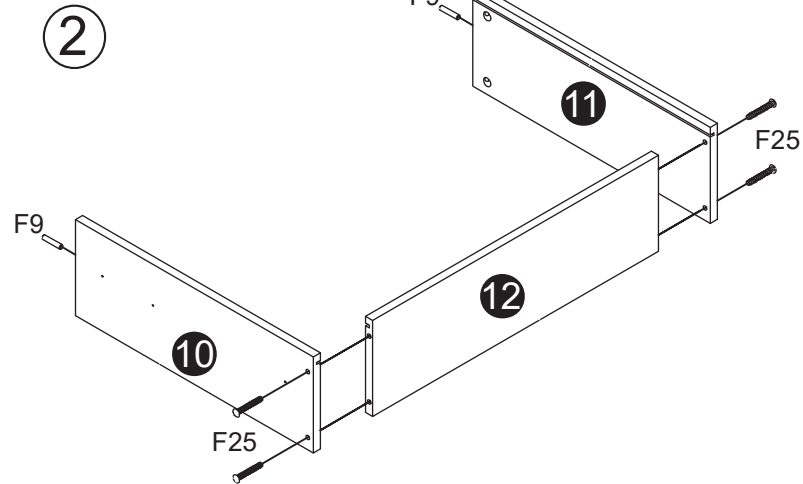
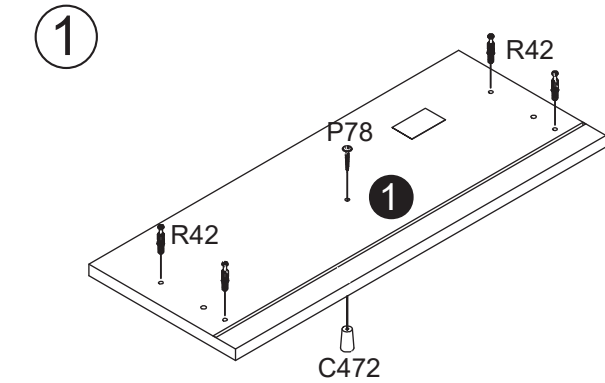


Install the r42 eccentric connector bolt in 5.  
Using p140 screws attach the w154\2 roller guides to elements 2 & 4.



# Step 3 :

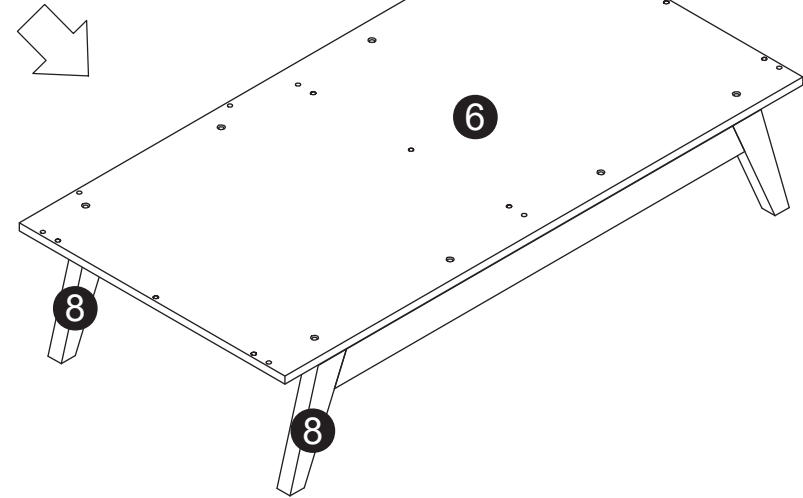
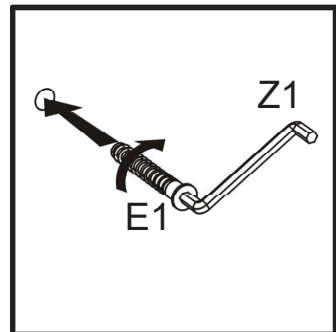
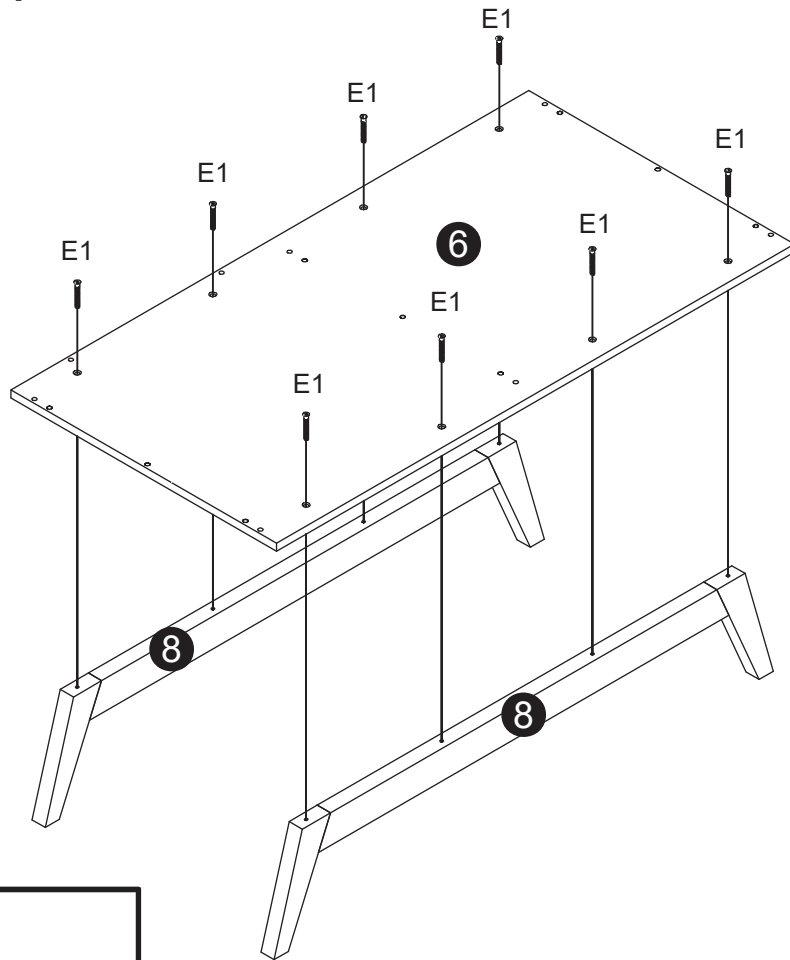
Install the r42 eccentric connector bolts in element 1.  
Insert f9 dowel pins in elements 10 & 11.



Using the f25 dowel pins attach elements 10 & 11.  
Join element 1 with 10 & 11 using the r15 & r42 eccentric connectors and slide in drawer bottom 9.  
Using the p140 screws attach the w154/1 roller guides to elements 10 and 11.

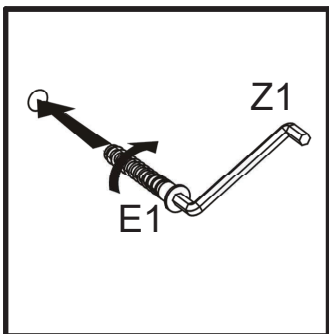
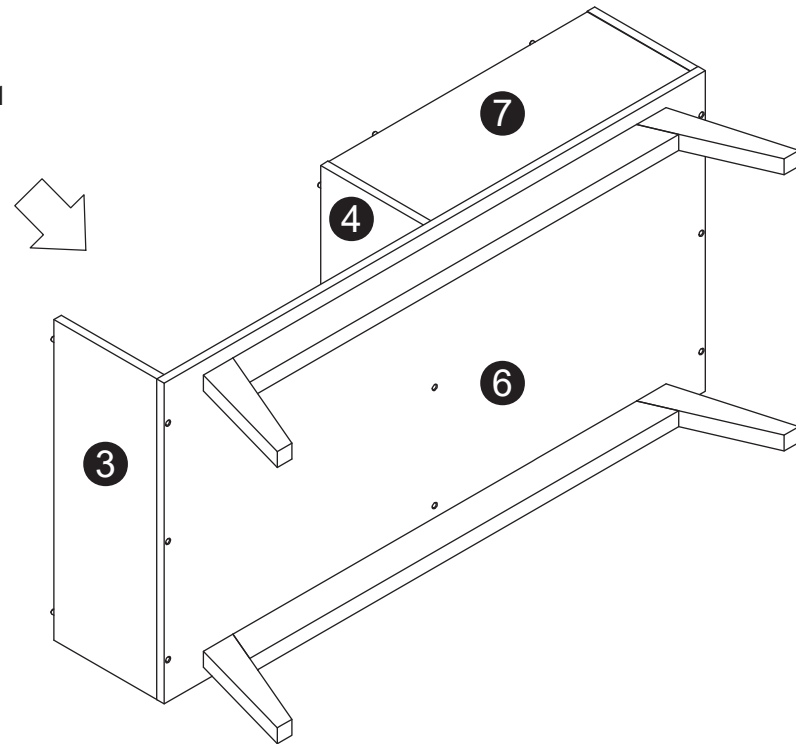
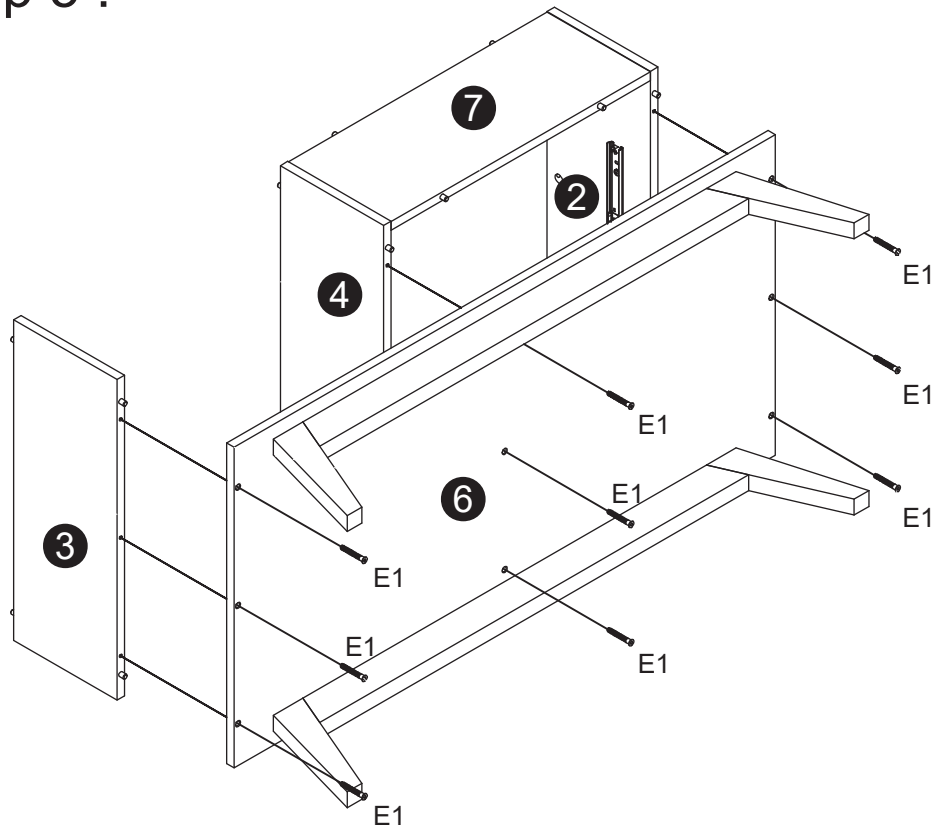
# Step 4 :

Using e1 confirmant screws attach element 6 to the legs 8.

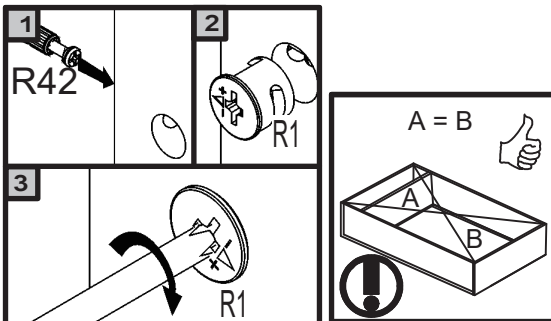
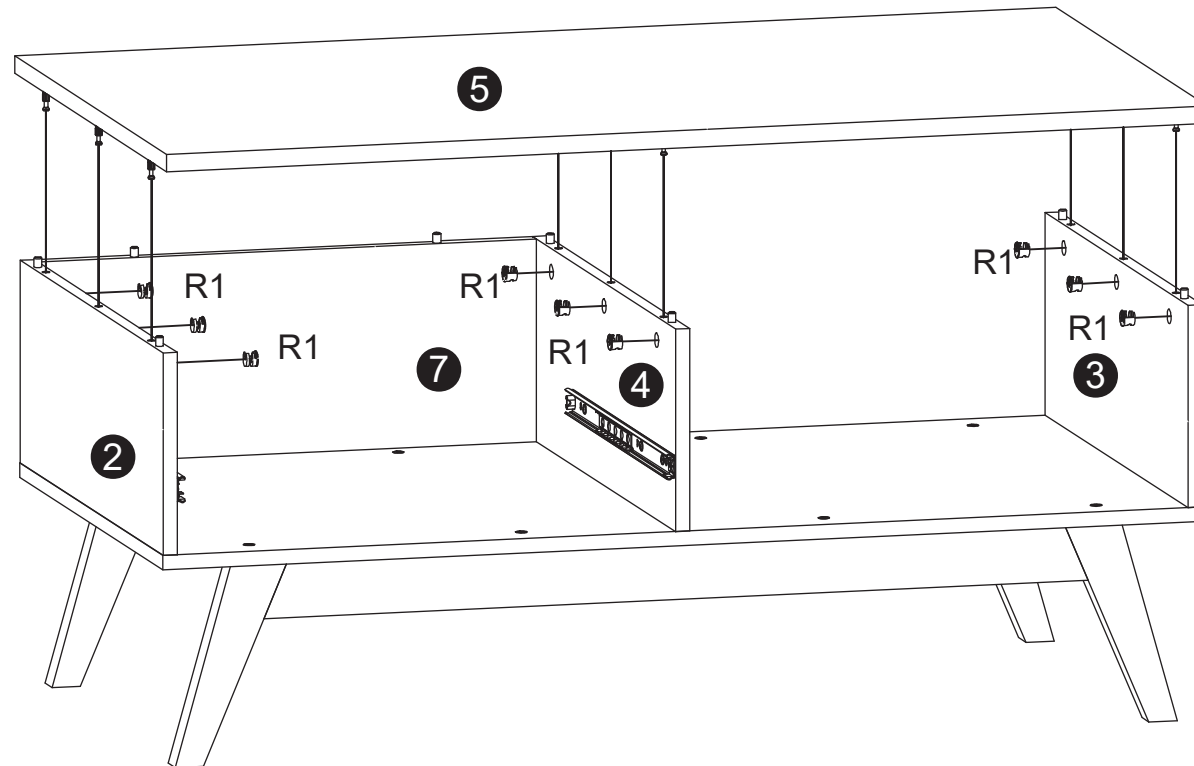


# Step 5 :

Using e1 confirmant screws attach elements 2, 3, 4 to element 6.



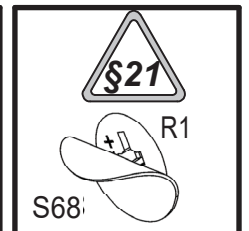
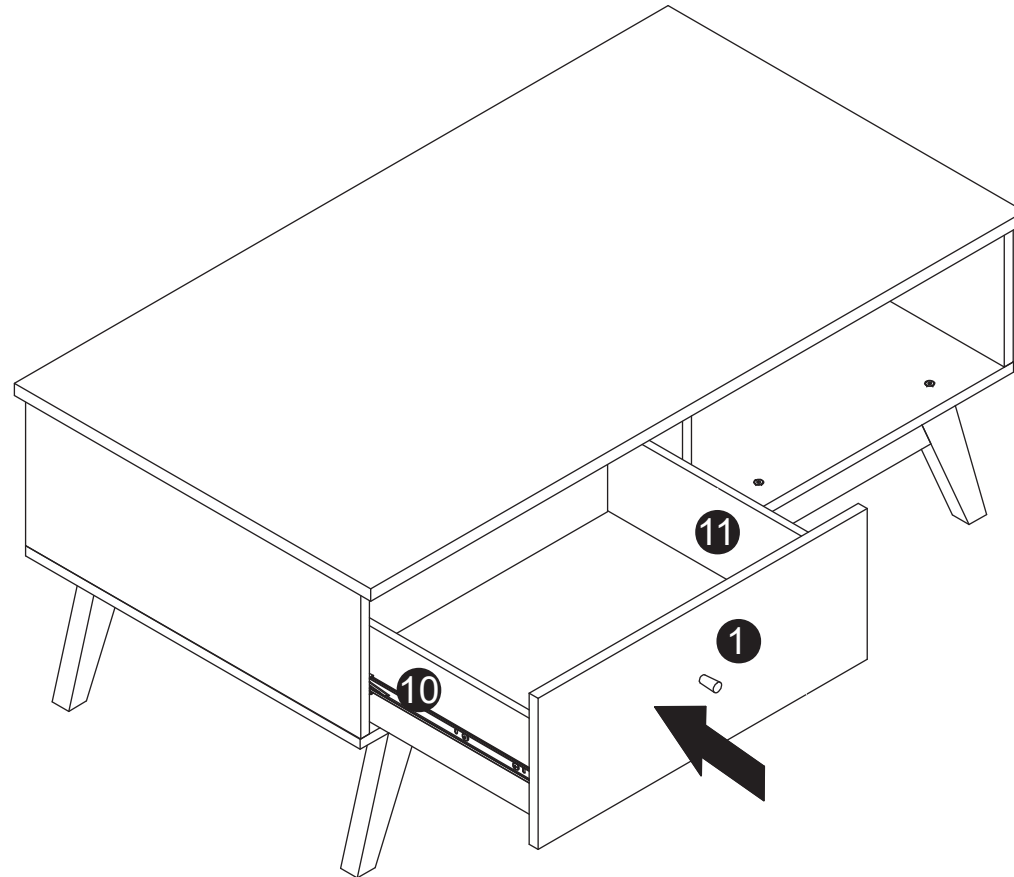
## Step 6 :



Using the r1 & r42 eccentric connectors attach the top 5 to elements 2, 3 & 4.

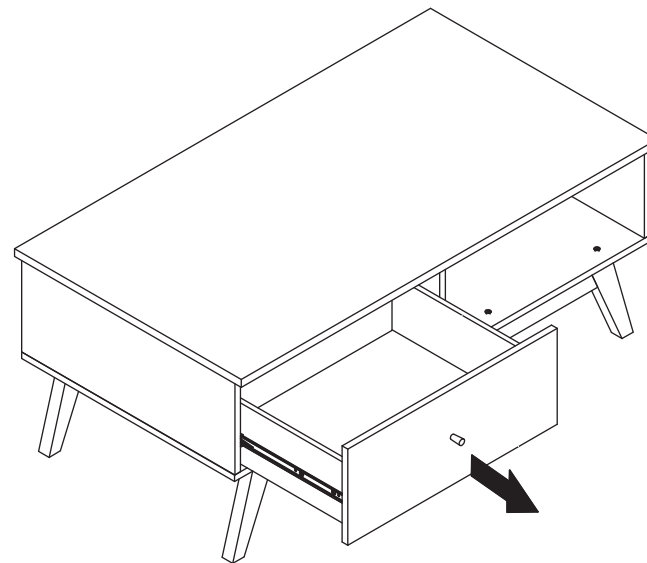
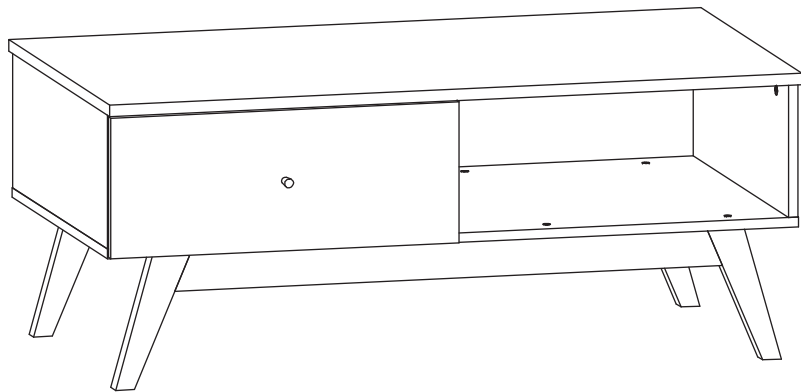
---

Step 7 :



---

## FUNCTIONS :



---

# Warranty

This products carry a one year limited warranty pursuant to the terms set forth herein. This warranty is valid only to the original purchaser with proof of purchase, and constitutes the original purchaser's sole and exclusive remedy. Pursuant to this warranty. Warrants that all products sold pursuant to this agreement shall be free of any defects in parts and workmanship if used under normal operating conditions.

THIS IS THE ONLY WARRANTY IT IS MADE EXPRESSLY IN OF ALL IMPLIED WARRANTIES OF MERCHANTABILITY OR FITNESS FOR ANY PARTICULAR PURPOSE.

Should any parts or workmanship prove defective, , either repair or replace the product at no charge (parts only) to the original purchaser for the duration of the product's full warranty. are under limited warranty for 1 year from original date of purchase.

At all times, Reserves the right to substitute materials with that of a similar quality if the original material is not available. will not be responsible for any freight charges incurred in repairing or replacing products.

DOES NOT WARRANT DAMAGE DUE TO MISUSE OR NEGLIGENCE. This remedy is the original purchaser's SOLE AND EXCLUSIVE REMEDY under the Contract of Sale, and in no event shall consequential damages be recovered by the original purchaser. This warranty gives you specific legal rights, and you may also have rights which vary from state to state.