

**CEILING FAN
USE AND CARE GUIDE**

Safety Information

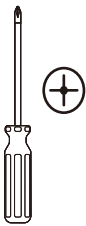
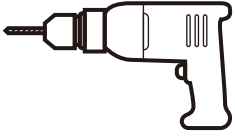
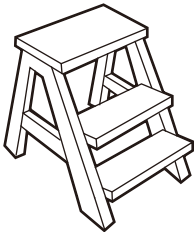

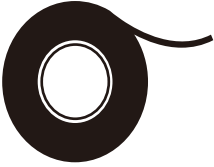
- To reduce the risk of electric shock, always turn off the power at the circuit breaker or fuse box before beginning installation, maintenance, or cleaning.
- All wiring must comply with the National Electrical Code (ANSI/NFPA 70-1999) and all applicable local electrical codes. For safety and to prevent damage, installation must be performed by a licensed electrician. The manufacturer is not responsible for any damage, malfunction, or injury resulting from improper installation, unauthorized modification, or failure to follow these instructions.
- The outlet box and supporting structure must be securely installed and capable of safely supporting the full weight of the ceiling fan. Use only UL-listed outlet boxes clearly marked “Suitable for Fan Support.”
- After installation, the distance between the trailing edge of the blades and the floor must be at least 7 ft (2.1 m) to ensure safe operation.
- Do not operate the reversing switch or place any objects in the path of the blades while the fan is running to avoid collision hazards.
- During installation or cleaning, use caution to avoid bending the blade brackets or touching motor components, which may cause injury or equipment damage.
- This fan must not be used with any solid-state speed control device, as doing so may cause a fire hazard or motor damage.
- Before installing the light fixture, double-check that the power supply has been turned off to prevent electric shock.

Precautions

- Do not throw objects, jump, or hold infants beneath the ceiling fan while it is operating. Contact with the rotating blades may cause injury or damage.
- Avoid running the ceiling fan continuously for extended periods. It is recommended to turn it off for a short break after every 2–3 hours of use to prevent the motor from overheating.
- Install the ceiling fan away from flammable materials such as curtains, paper, or other combustible items to avoid potential safety hazards.
- If the ceiling fan shows signs of abnormal heat, smoke, unusual odors, or other irregularities, immediately disconnect the power supply, stop using the fan, and contact qualified service personnel. Do not attempt to disassemble or repair the motor yourself.
- This product is intended for indoor use in dry environments only. Avoid using it in humid, high-temperature, or direct sunlight conditions, as these may shorten the product’s service life.

Pre-installation Preparation

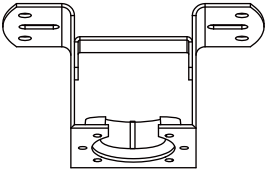
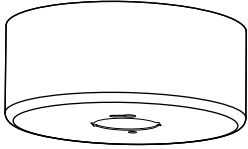

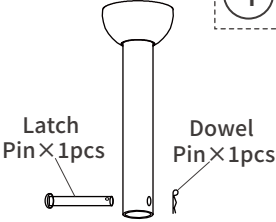

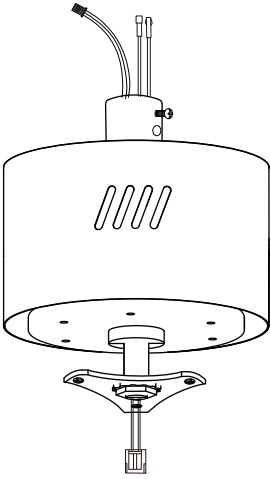
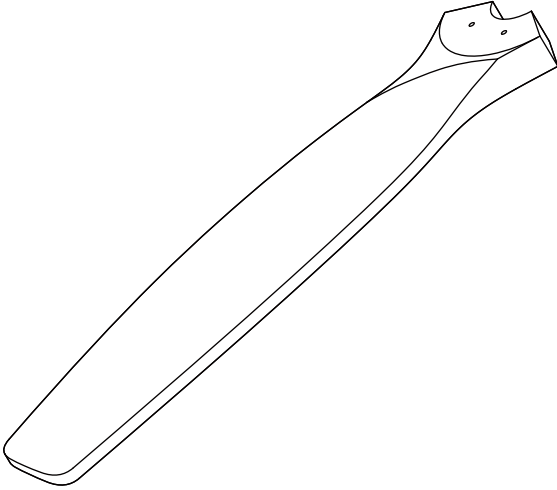
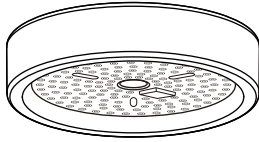
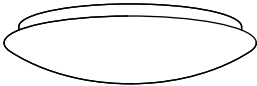
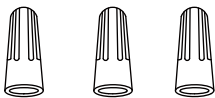
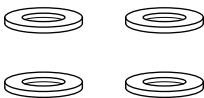
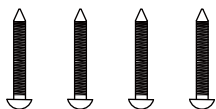
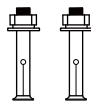
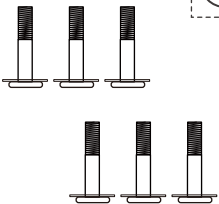

Required Tools

				
Philips screwdriver	Impact drill	Step ladder	Wire stripper	Electrical tape

Pre-installation Inspection

- After unpacking, please check that all parts are included and free from damage . If you find any issues, contact our after-sales service promptly.
- Before installation, ensure that all screws and fasteners are properly tightened, and verify that the ceiling structure at the mounting location is stable and capable of supporting the ceiling fan' s weight.
- When using tools such as screwdrivers, handle them carefully and apply controlled force and angle to avoid causing impact damage, scratches, or dents to the wooden components.

Parts List

 <p>①</p>	 <p>②</p>	 <p>③</p>	 <p>④</p> <p>Latch Pin × 1 pcs Dowel Pin × 1 pcs</p>	 <p>⑤</p>
<p>Mounting Bracket x 1 pcs</p>	<p>Hanger Bell x 1 pcs</p>	<p>Decorative Cover x 1 pcs</p>	<p>Downrod x 1 pcs</p>	<p>Joint Cover x 1 pcs</p>
 <p>⑥</p>	 <p>⑧</p>		 <p>⑨</p>	 <p>⑩</p>
<p>Motor x 1 pcs</p>	<p>Blades x 3 pcs</p>		<p>Lamp Panel × 1 pcs</p>	<p>Lamp Shade x 1 pcs</p>
 <p>⑬</p>	 <p>⑭</p>	 <p>⑮</p>	 <p>⑯</p>	 <p>⑰</p>
<p>Wire Connectors x 3 pcs</p>	<p>Washers x 4 pcs</p>	<p>Screws x 4 pcs</p>	<p>Expansion Screws x 2 pcs</p>	<p>Cross Recessed Step Screws (with Washers) x 6 pcs</p>
 <p>⑱</p>				
<p>Allen wrench x 1 pcs</p>				

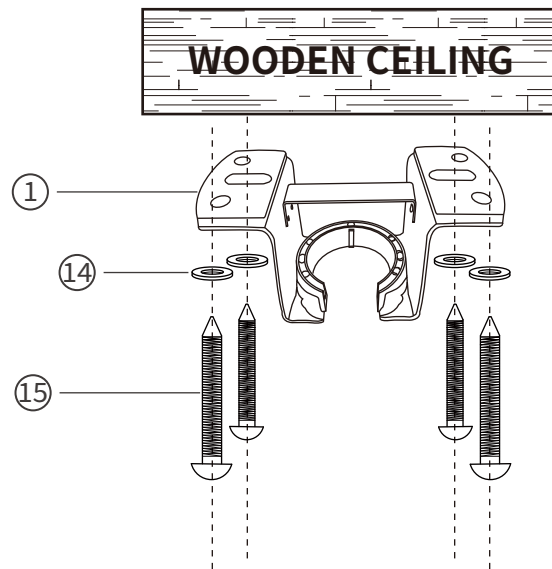
Detailed Installation Steps

1 Fix the Mounting Bracket

Select the appropriate installation method based on your ceiling type:

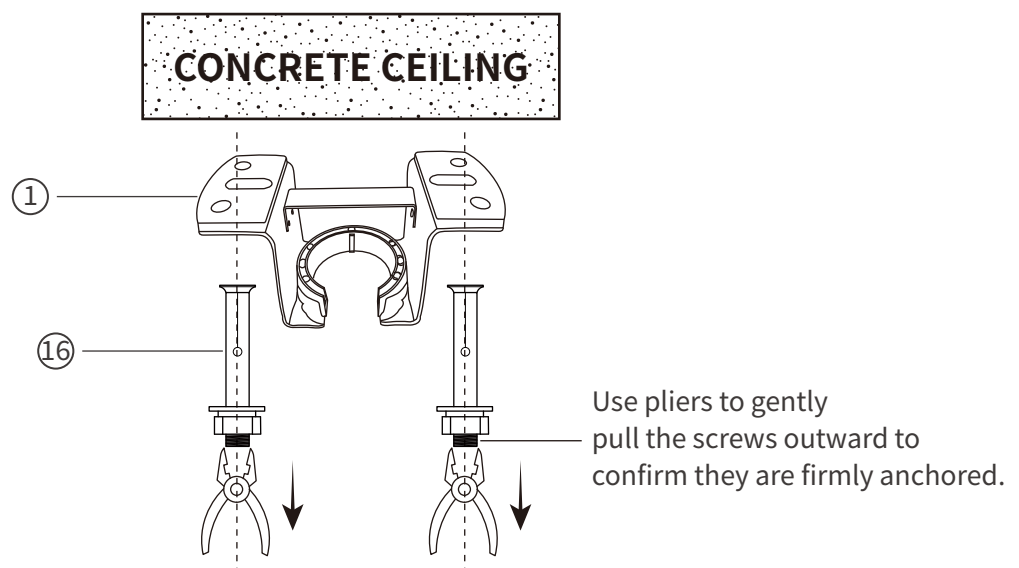
- **Note:** This fan cannot be installed on drywall.

CASE 1: WOODEN CEILING



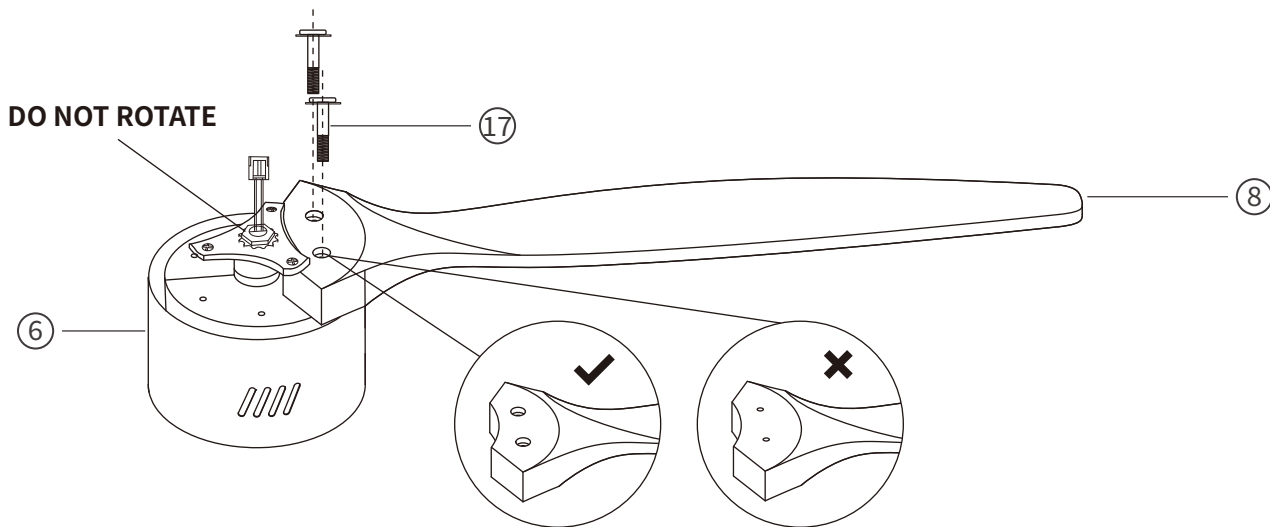
- Use **screws** (15) to secure the **mounting bracket** (1) directly onto the wooden beam or other load-bearing structure. Tighten the screws until the bracket is firmly fixed.

CASE 2: CONCRETE CEILING



- Use an impact drill to drill the required holes. Insert the **expansion screws** (16) through the **mounting bracket** (1) (bow-shaped hanging plate) and fasten it securely to the ceiling to ensure the bracket does not loosen.

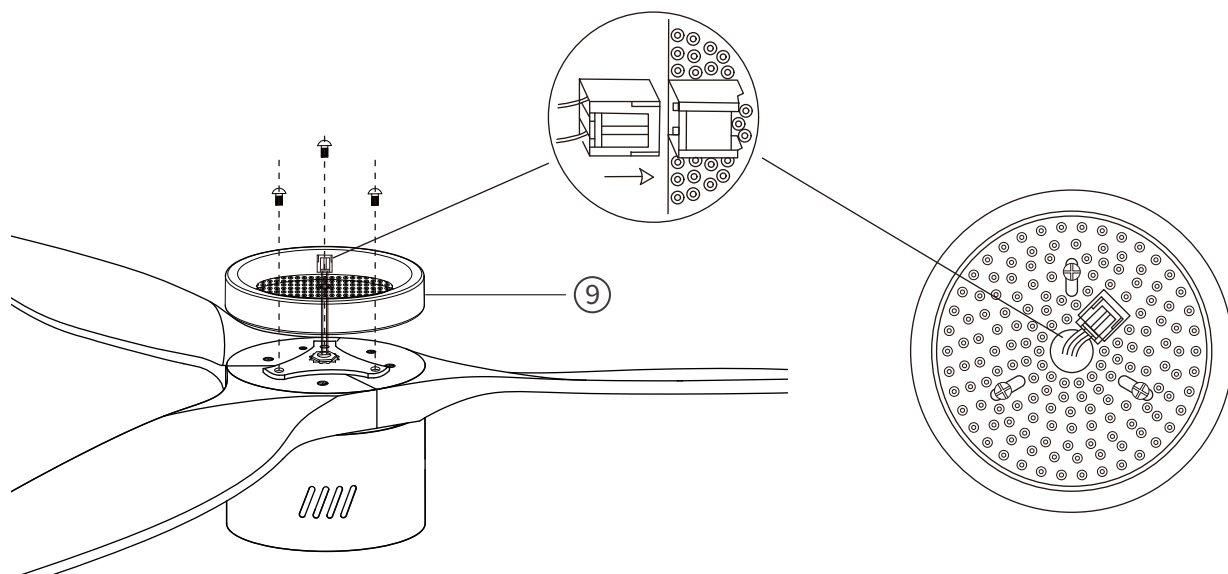
2 Install the Motor and Blades



Note: When installing the blades, ensure the correct orientation—the larger hole should face toward you. Place the washer on the side with the larger hole. When attaching the first two blades, leave the screws slightly loose to allow adjustment for the third blade. After all three blades are properly aligned, tighten all screws securely.

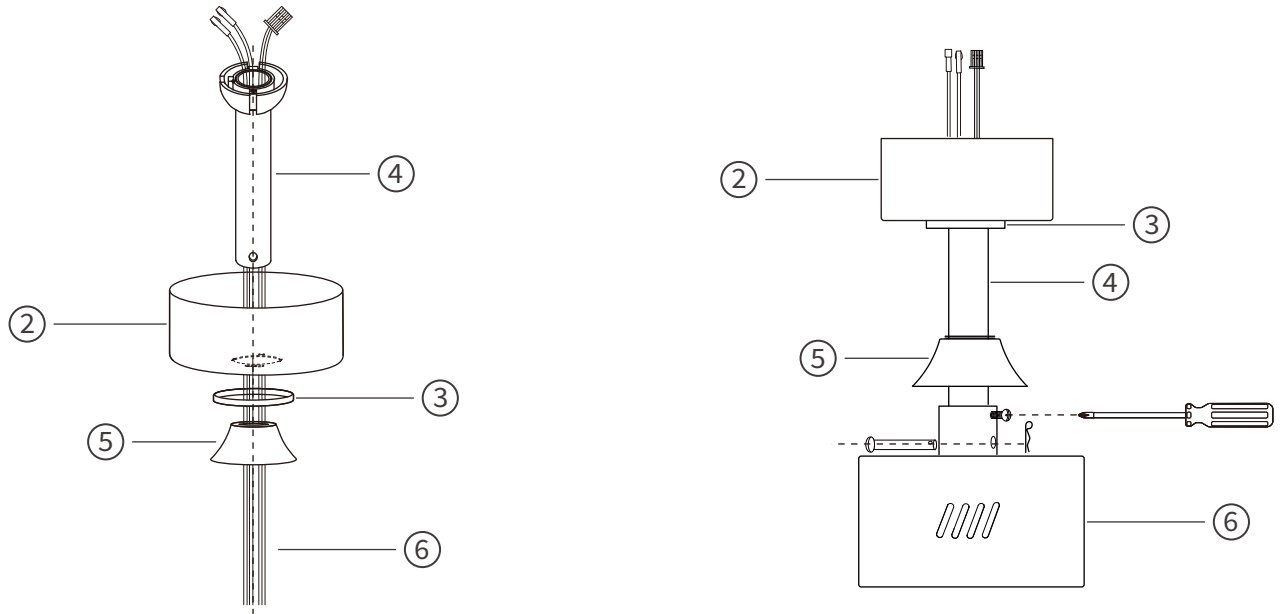
- Install the three **blades** (8) onto the **motor's blade bracket** (6) using the Phillips **step screws with gaskets** (17), attaching them one by one. Tighten each screw securely to prevent the blades from loosening.
- After installation, check that all blades are level and that the distance from each blade to the motor is consistent to help minimize wobbling during operation.

3 Install the Light Fixture Component

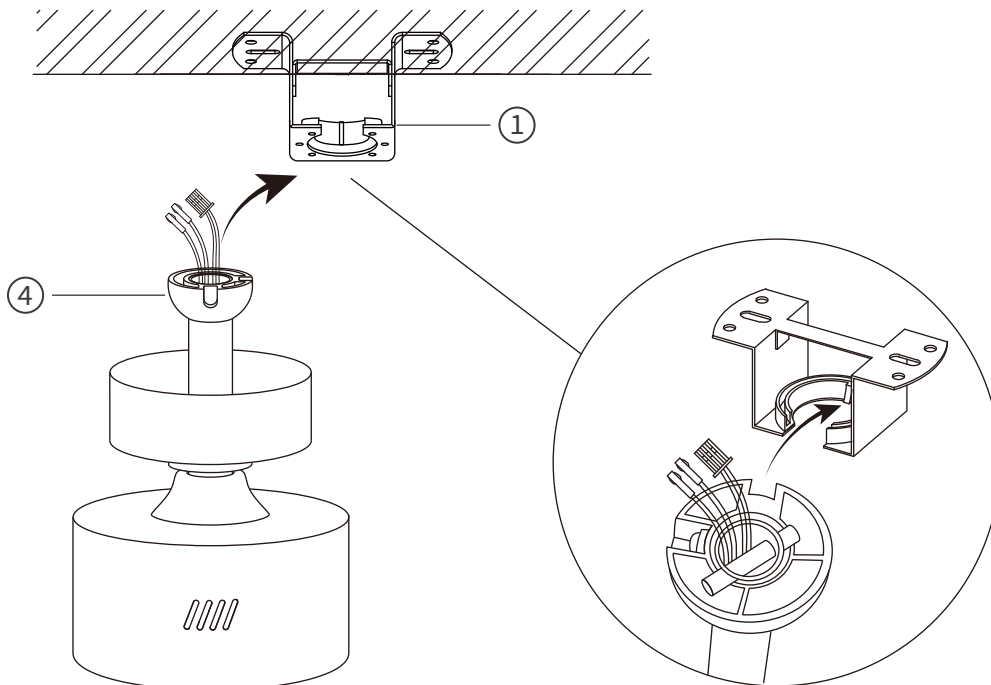


- Install the **lamp panel** (9) onto the circular plate beneath the motor using the screws provided. Connect the wiring terminals into the LED lamp panel socket, ensuring they are inserted correctly for a secure electrical connection.

4 Assemble the Downrod Component

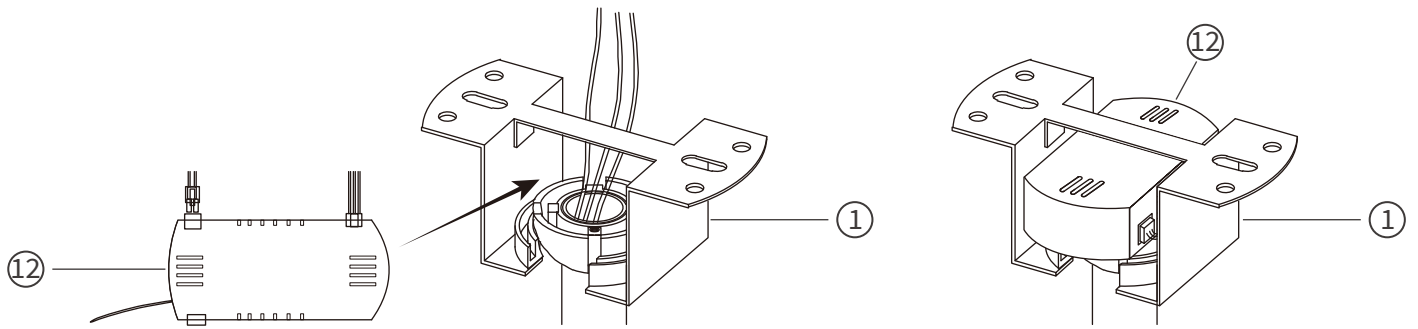


- Pass the **hanging bell** (②), **decorative cover** (③), and **joint cover** (⑤) through the downrod in order, ensuring that each component faces the correct direction.
- Connect the downrod to the hanging bell using the bolt, insert the dowel pin to secure it, and tighten all screws at the connection to ensure a stable assembly.

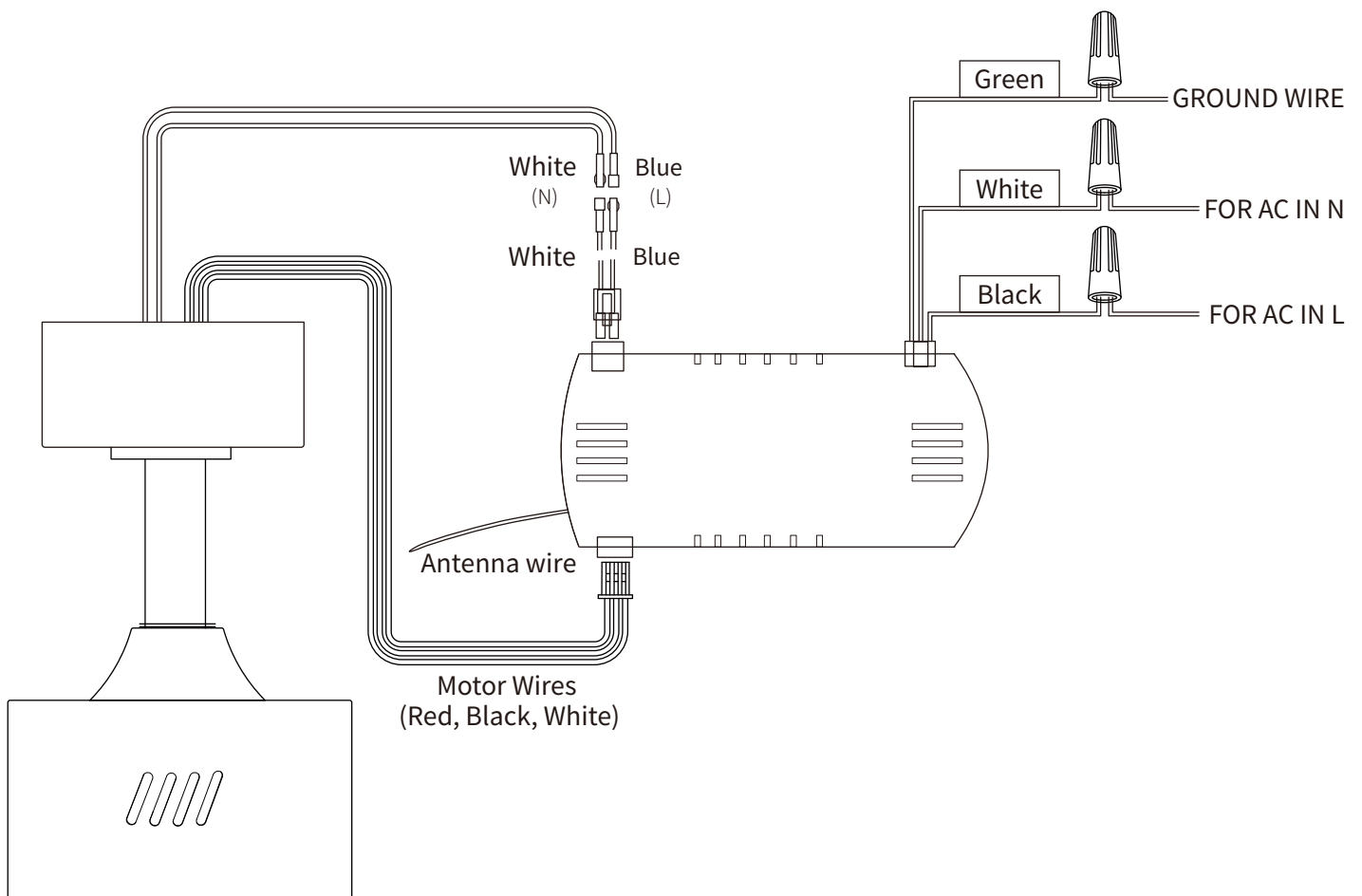


- Align the semicircular hanging ball with the slot on the **mounting bracket** (①) and press it into place, making sure the raised strip on the hanging ball fully engages with the groove of the bracket for enhanced stability.

5 Connect the Circuit and Controller

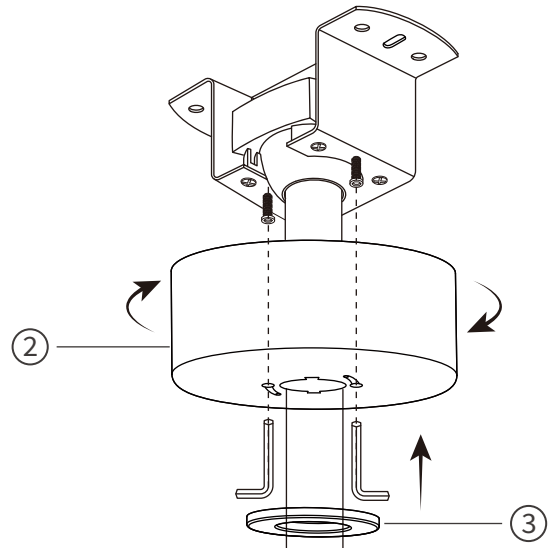
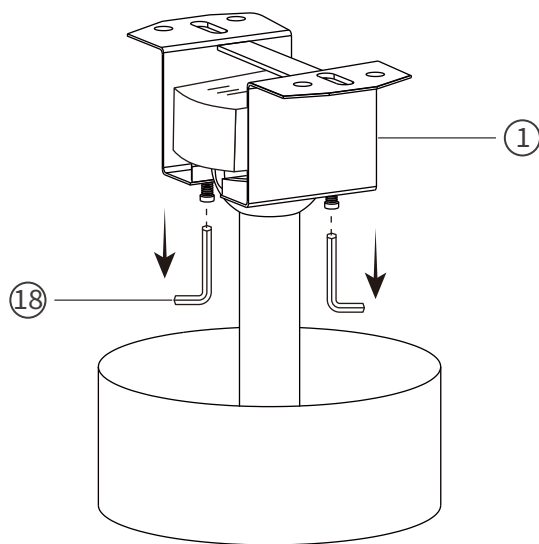


- Place the **controller** (12) (receiver) horizontally between the mounting bracket and the hanging ball, securing it properly in position.

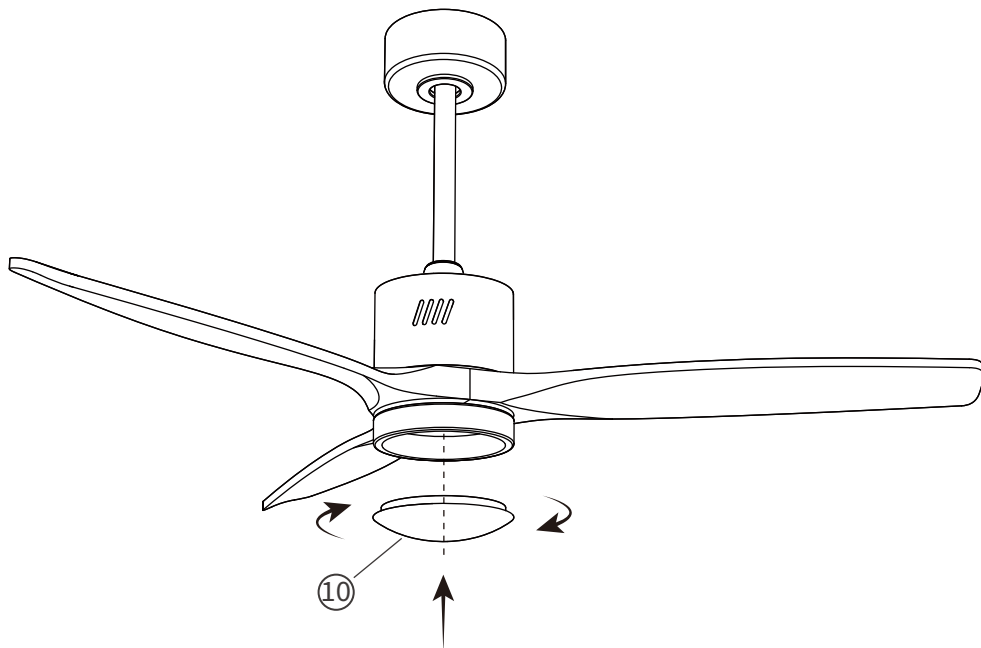


- Follow the wiring labels to complete the connections: Connect the ceiling fan's live wire (L) and neutral wire (N) to the household live and neutral wires, connect the ground wire securely, fasten each connection with wire connector caps, and wrap them with insulating tape for reinforcement.
- Verify that all wire connections are correct and firmly secured. Carefully organize any excess wiring and push it neatly into the outlet box.

6 Complete the Installation

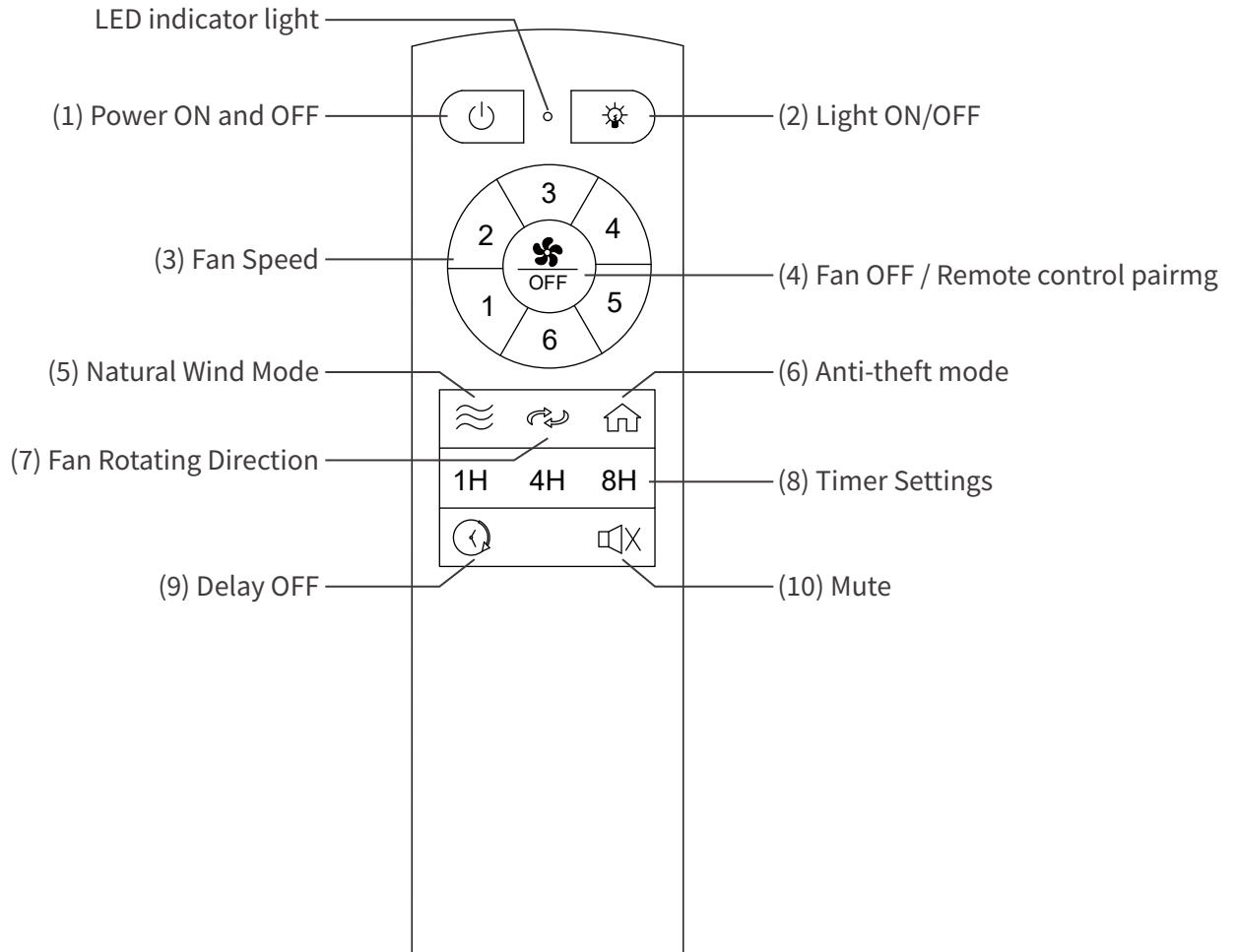


- Use an **Allen wrench** (18) to slightly loosen the screws—do not remove them completely. Gently rotate the **hanger bell** (2) in the indicated direction until the screws align with the slots, then tighten the screws securely.
- Install the hanging bell and decorative cover to conceal the connection points and wiring, creating a clean and finished appearance.



- Place the **lamp shade** (10) onto the lamp panel and rotate it clockwise until it locks into place. Do not apply excessive force to avoid damaging the lamp shade.
- Recheck all components to ensure that every screw is tightened and that no parts are loose.
- Restore power and perform a test run to confirm that the ceiling fan and light operate correctly.

Operation Instructions



Precautions for Using the Remote Control

- The remote control must be paired with the controller (receiver) before use to ensure proper signal reception.
- This fan includes forward and reverse modes. Before changing the direction, turn off the fan and wait until the blades come to a complete stop before operating the direction switch.
- Check the remote control battery regularly and replace it when the power is low to prevent operational issues.
- Keep the remote control away from impacts, moisture, and direct sunlight to extend its service life.

Maintenance and Cleaning

- **Regular Inspection:** Inspect the support connections, blade mounting screws, wire connections, and other key components every six months. Tighten any loose parts promptly. Every 2–3 years, check the wear on screws and pin shafts and replace them if necessary.
- **Cleaning method:** Always turn off the power before cleaning. Use a soft or lint-free cloth to gently wipe the blades, motor housing, and lamp shade. Avoid using water or chemical cleaners to prevent motor damage or the risk of electric shock.
- **Blade Maintenance:** A thin layer of furniture wax can be applied to wooden blades to enhance protection and improve surface gloss. For minor scratches, a small amount of shoe polish may be used to lightly cover the blemishes.
- **Motor Maintenance:** The motor is equipped with sealed, permanently lubricated ball bearings and does not require additional oiling.
- **Long-Term Non-Use:** If the ceiling fan will not be used for an extended period, clean it in advance, disconnect the power supply, and ensure the fan remains free of dust buildup and potential electrical aging.

Troubleshooting

Problem	Solution
The fan will not start.	<ul style="list-style-type: none"><input type="checkbox"/> Check the main and branch circuit fuses or breakers.<input type="checkbox"/> Check the line wire connections to the fan and switch wire connections in the switch housing.
The fan is noisy.	<ul style="list-style-type: none"><input type="checkbox"/> Ensure all motor housing screws are snug.<input type="checkbox"/> Ensure the screws that attach the fan blade bracket to the motor hub are tight.<input type="checkbox"/> Ensure the wire nut connections are not ratting against each other or the interior wall of the switch housing.<input type="checkbox"/> Allow a 24-hour "breaking in" period. Most noises associated with a new fan disappear during this time.<input type="checkbox"/> If you are using the Ceiling Fan light kit, ensure the screws securing the glassware are tight.<input type="checkbox"/> Check that the light bulbs are also secure.<input type="checkbox"/> Ensure the canopy is a short distance from the ceiling. It should not touch the ceiling.<input type="checkbox"/> Ensure your outlet box is secure and rubber isolator pads were used between the mounting plate and outlet box.
The fan wobbles.	<ul style="list-style-type: none"><input type="checkbox"/> Ensure all blades are level and equidistant from the motor to prevent wobble.

Warranty

Warranty Period

- The fan motor is covered by a 5-year warranty from the original purchase date, ensuring it is free from manufacturing and material defects at the time it leaves the factory.
- The controller is covered by a 3-year warranty from the original purchase date.
- The complete fan unit (excluding the motor and controller, which are covered under their respective warranties above) is warranted for 2 years from the original purchase date.
- **Note:** Glass lamp shades and acrylic components are not included in the 2-year warranty for the full fan unit.

Warranty Scope

- The warranty applies only to quality issues occurring under normal use and does not cover damage resulting from accidents, misuse, improper installation, unauthorized modifications, or the use of non-original accessories.
- Changes in the appearance of components—such as coating oxidation, discoloration, or fading—caused by environmental or climate conditions are not covered by the warranty.
- A slight wobble during normal fan operation is considered a normal characteristic and is not classified as a quality defect.

Warranty Service

- To receive warranty service, a valid proof of purchase must be provided.
- All costs related to product removal and reinstallation are the responsibility of the user, and the shipping fees for returning the product for repair must be paid by the user.
- Any unauthorized repair or modification will void the warranty.