



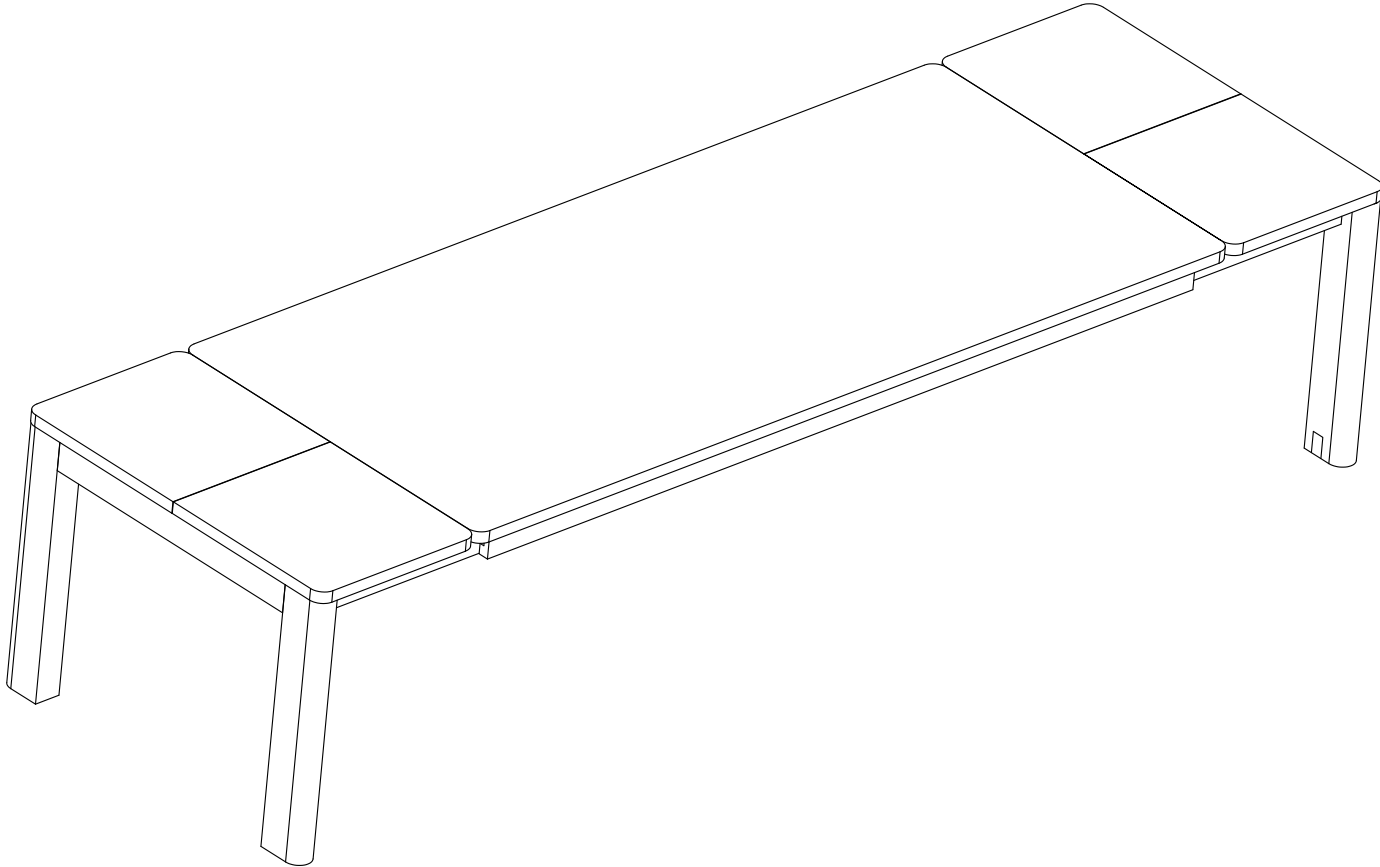


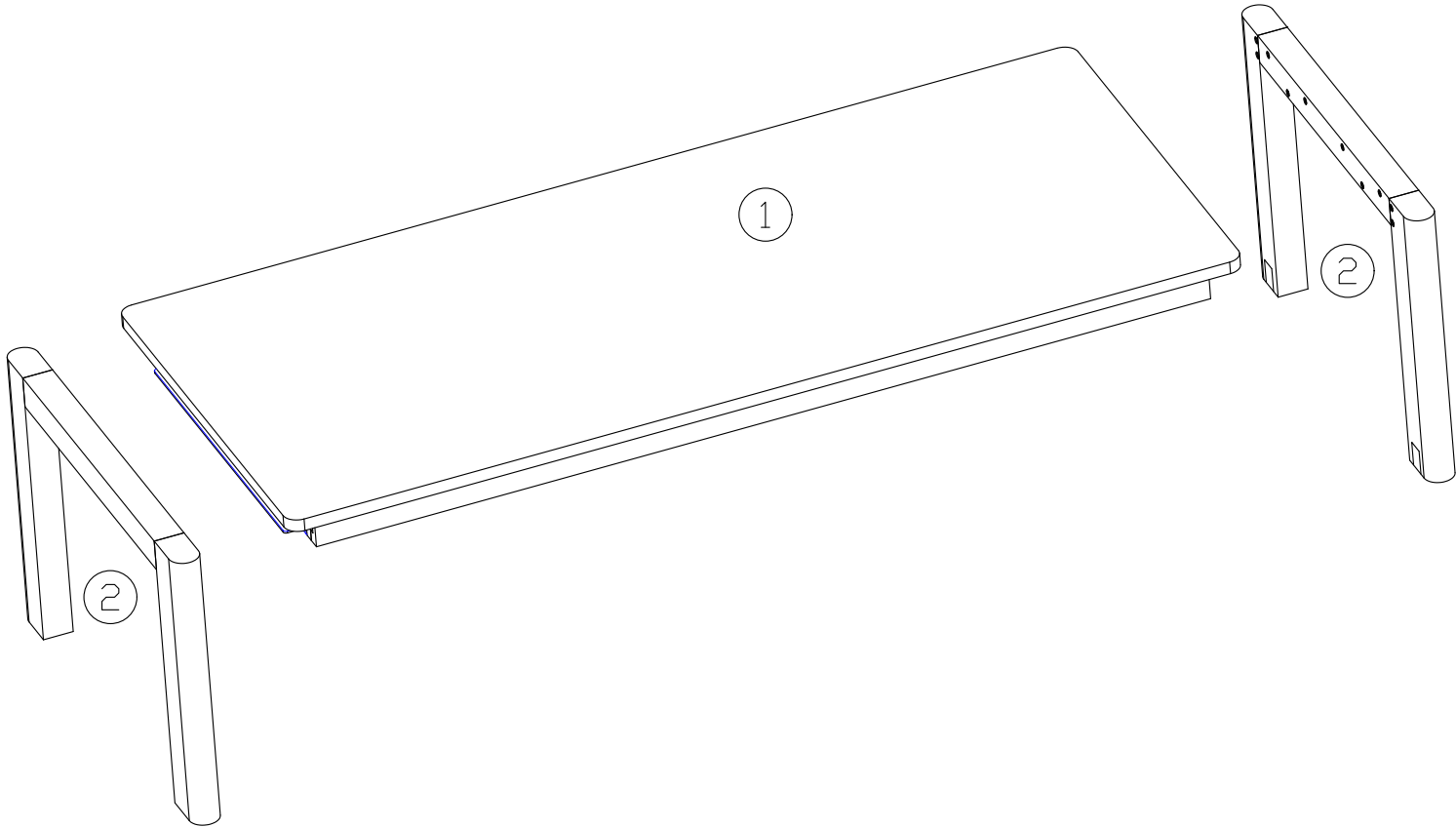
# ASSEMBLY INSTRUCTION FOR DOUBLE EXTENSION DINING TABLE

## HARDWARE LIST

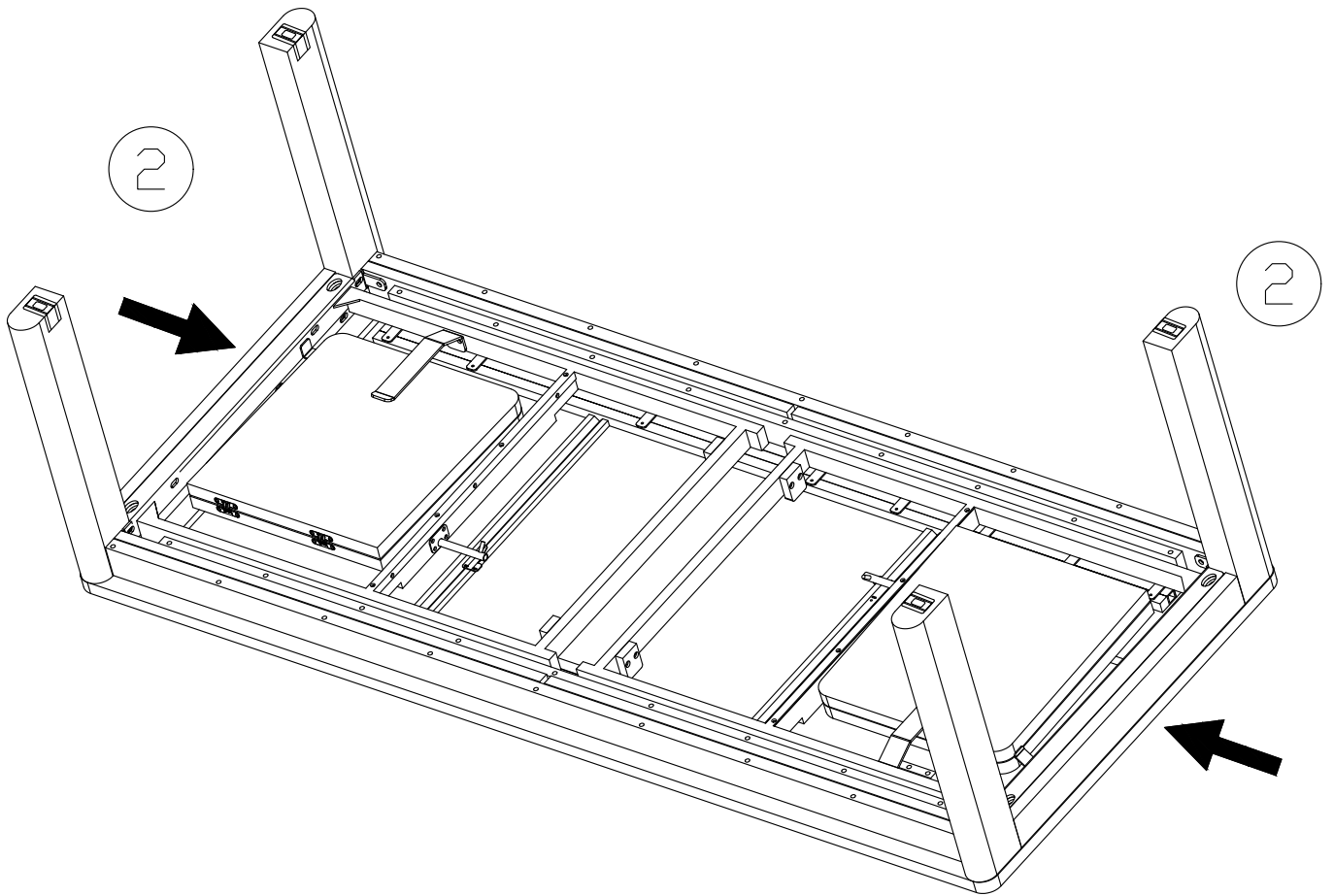
|   |   |              |            |    |
|---|---|--------------|------------|----|
| A |  | Bolt         | M10 x 25mm | 24 |
| B |  | Washer       | 10 x 20mm  | 24 |
| C |  | Lock Washer  | 10 mm      | 24 |
| D |  | Allen Wrench | 8 mm       | 1  |



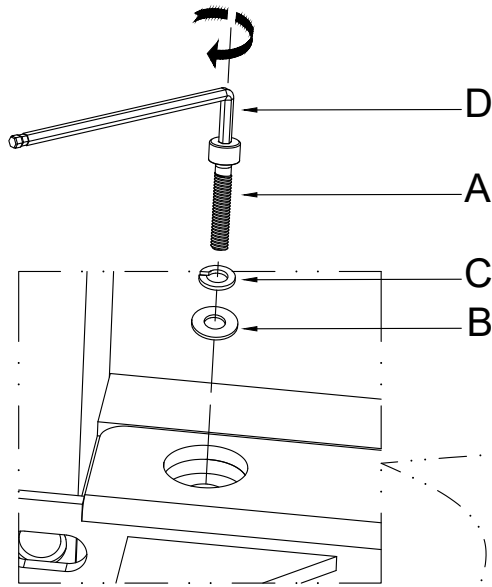
## COMPONENTS



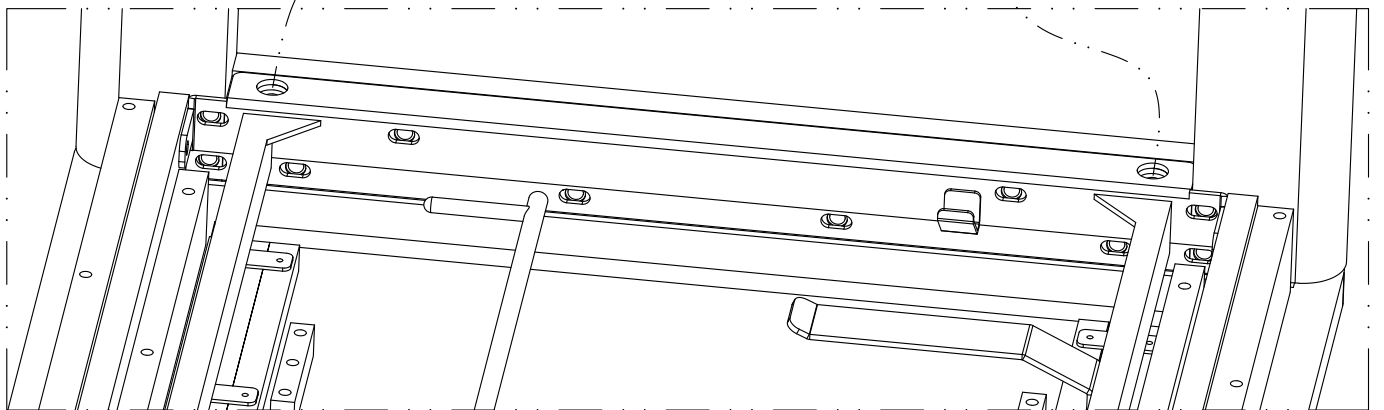
1



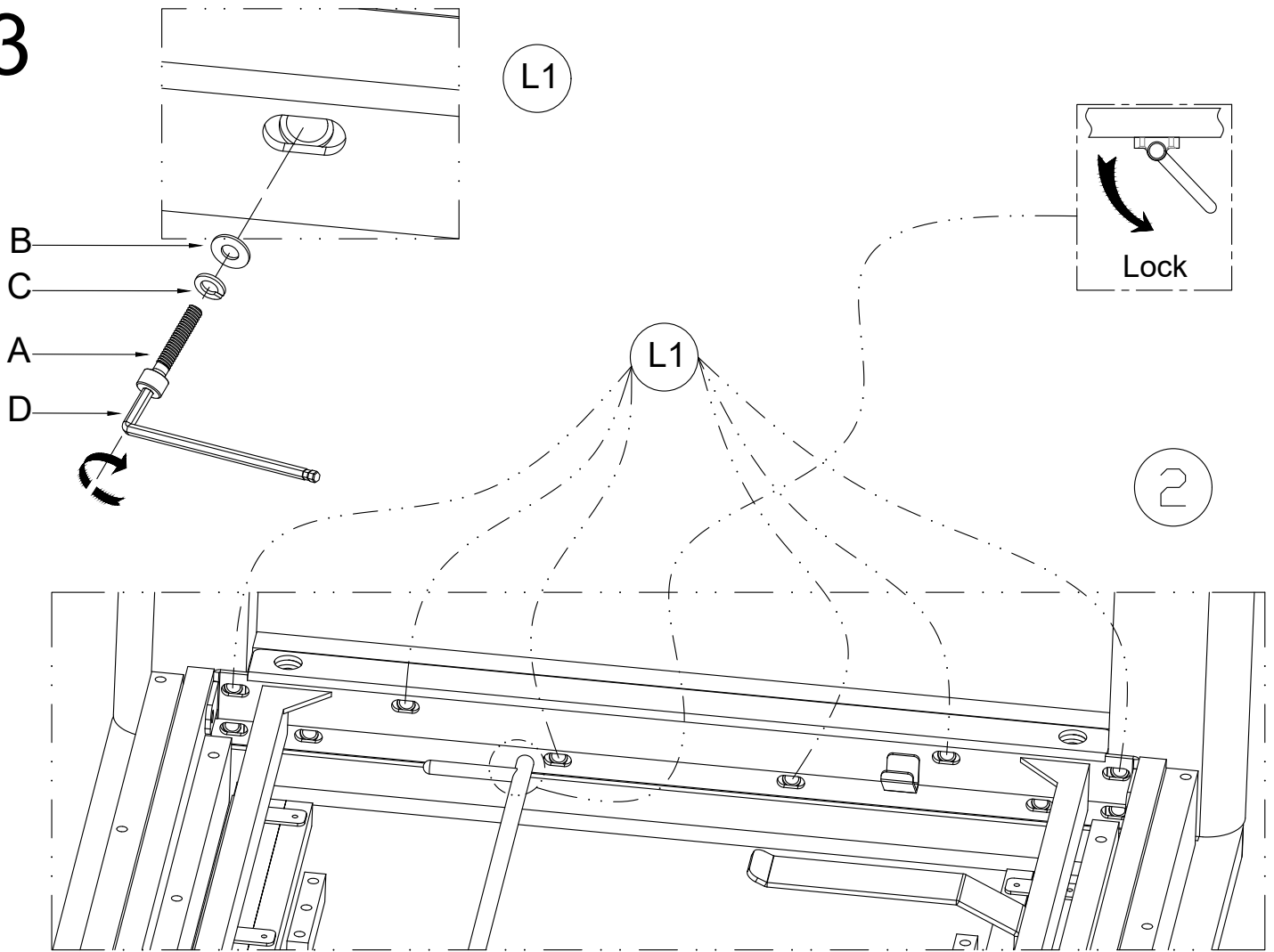
2



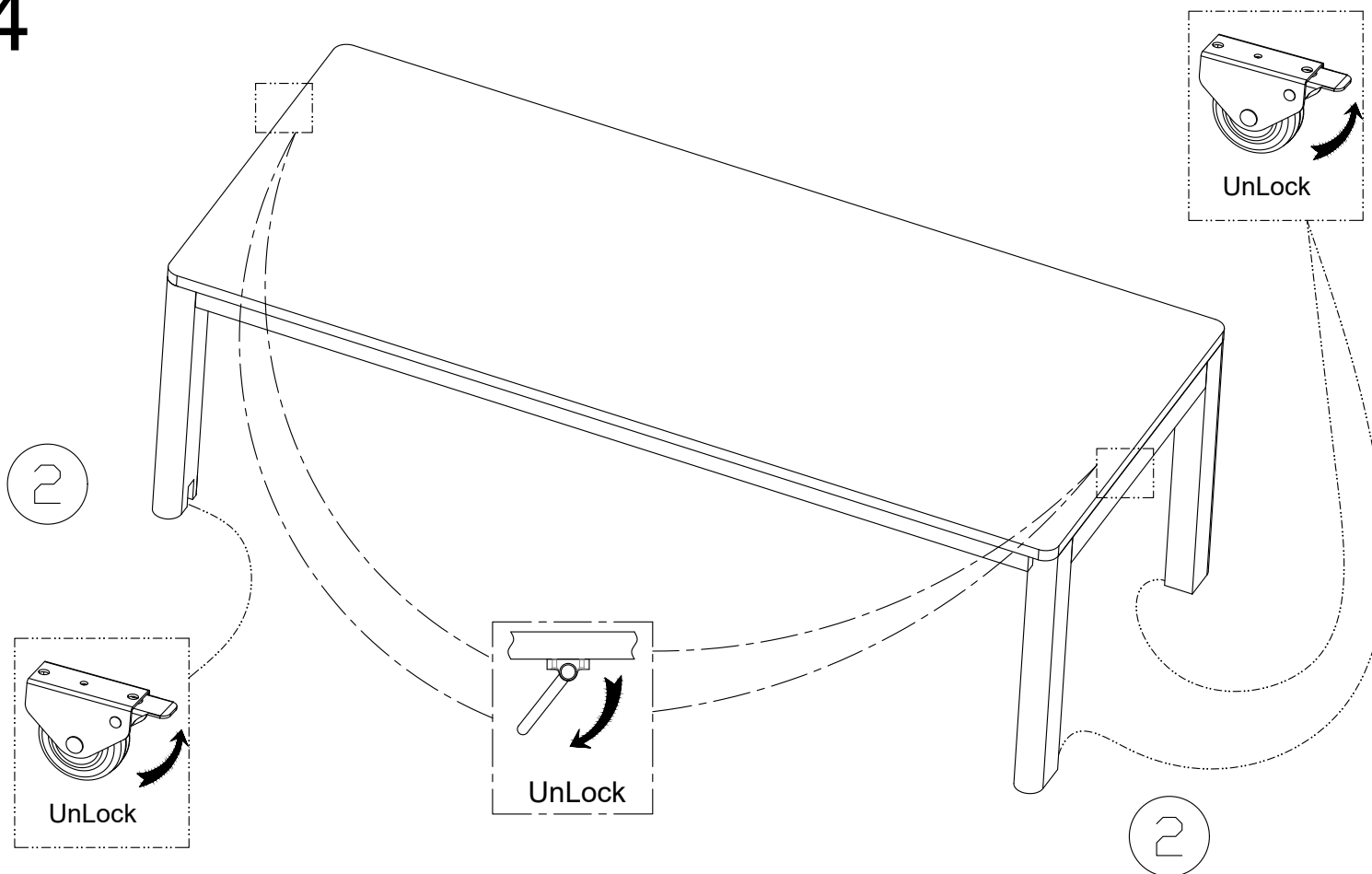
2



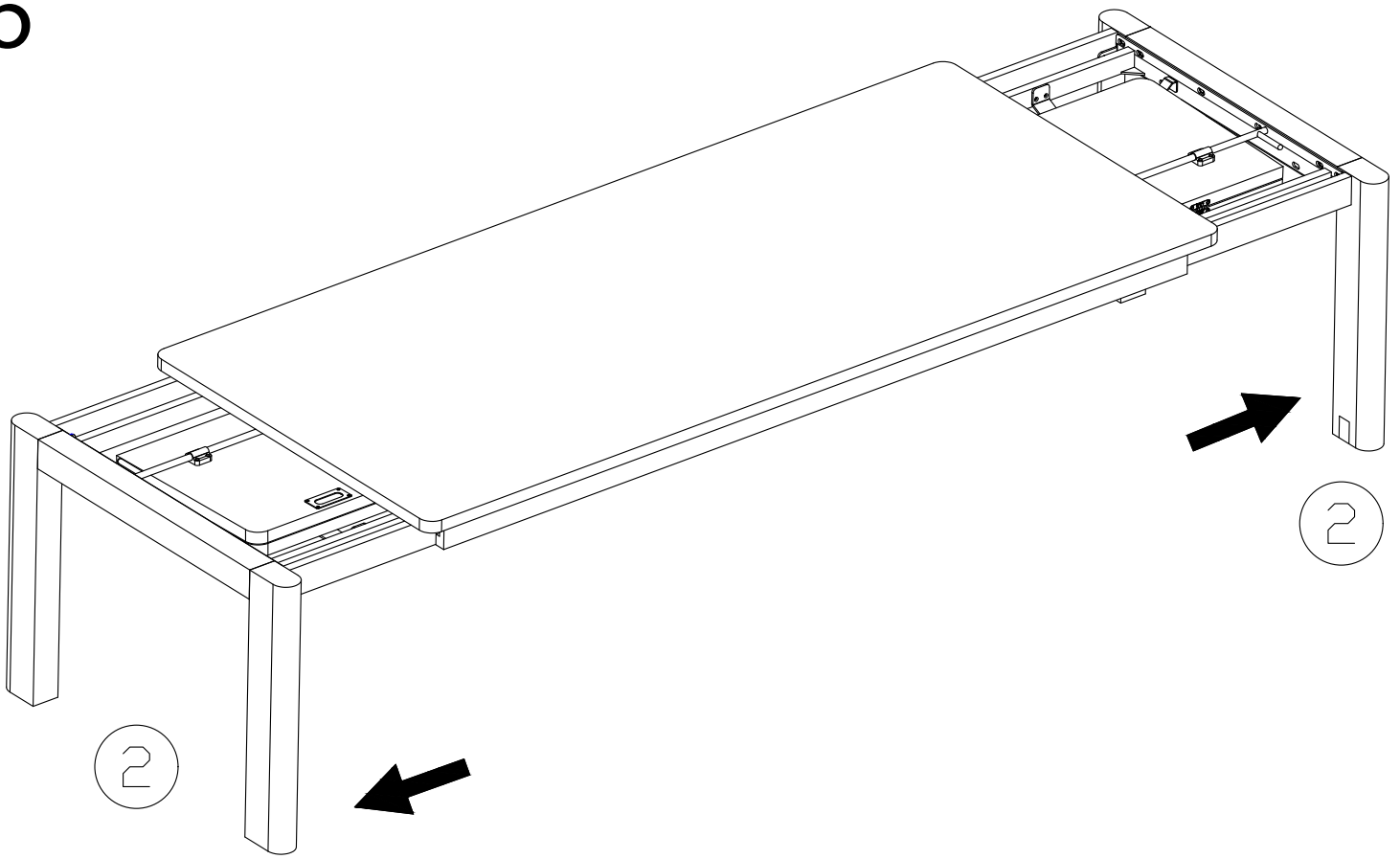
3



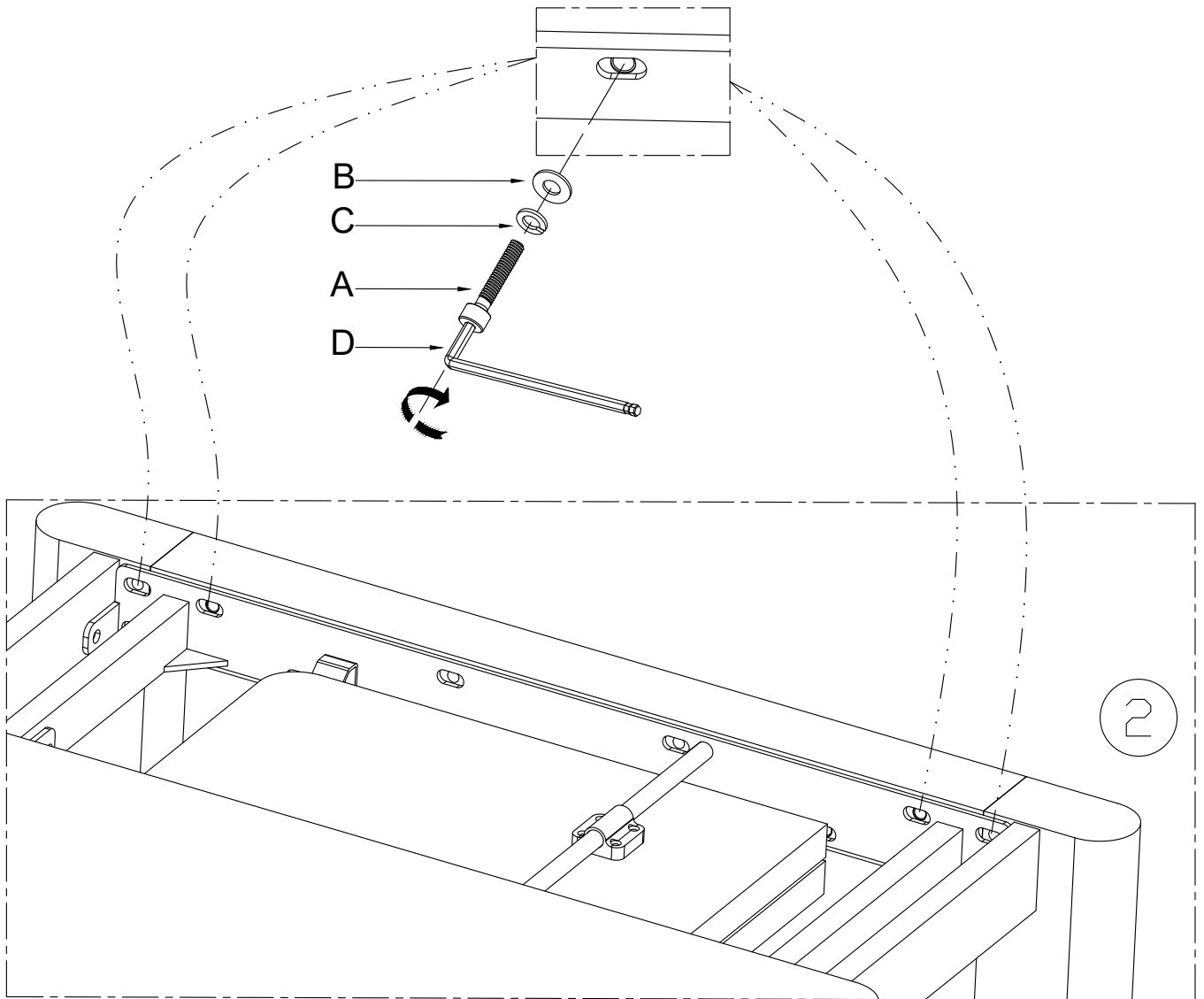
4



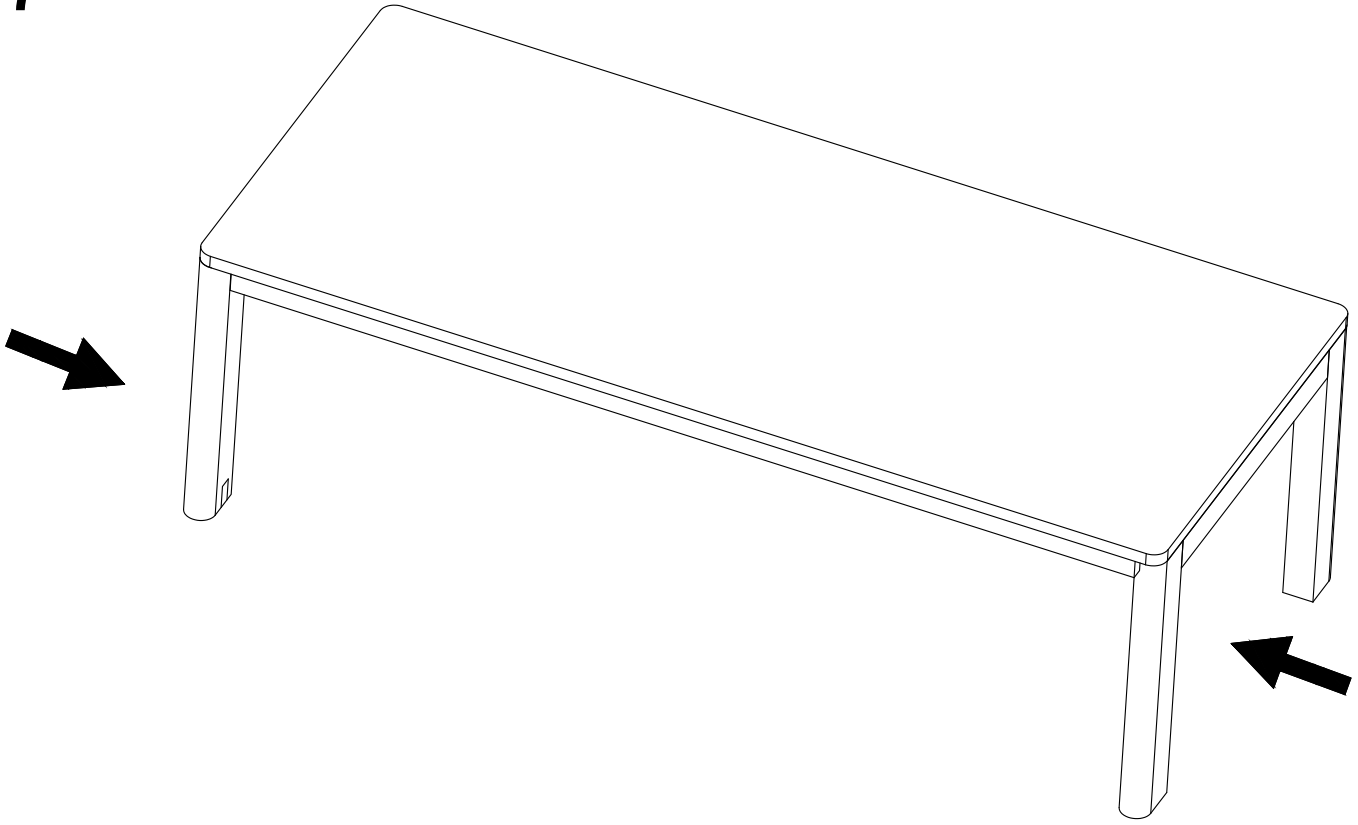
5



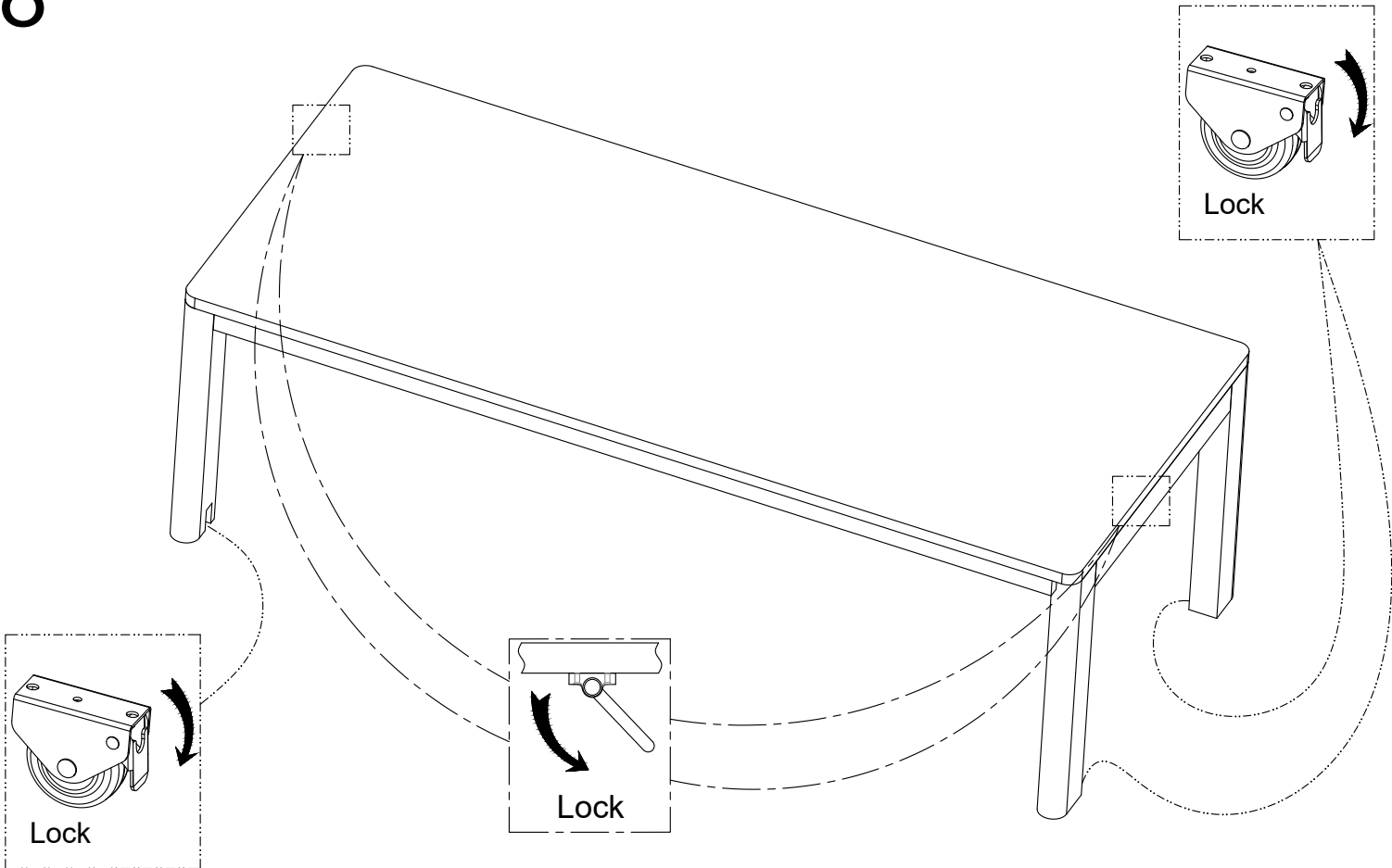
6



7

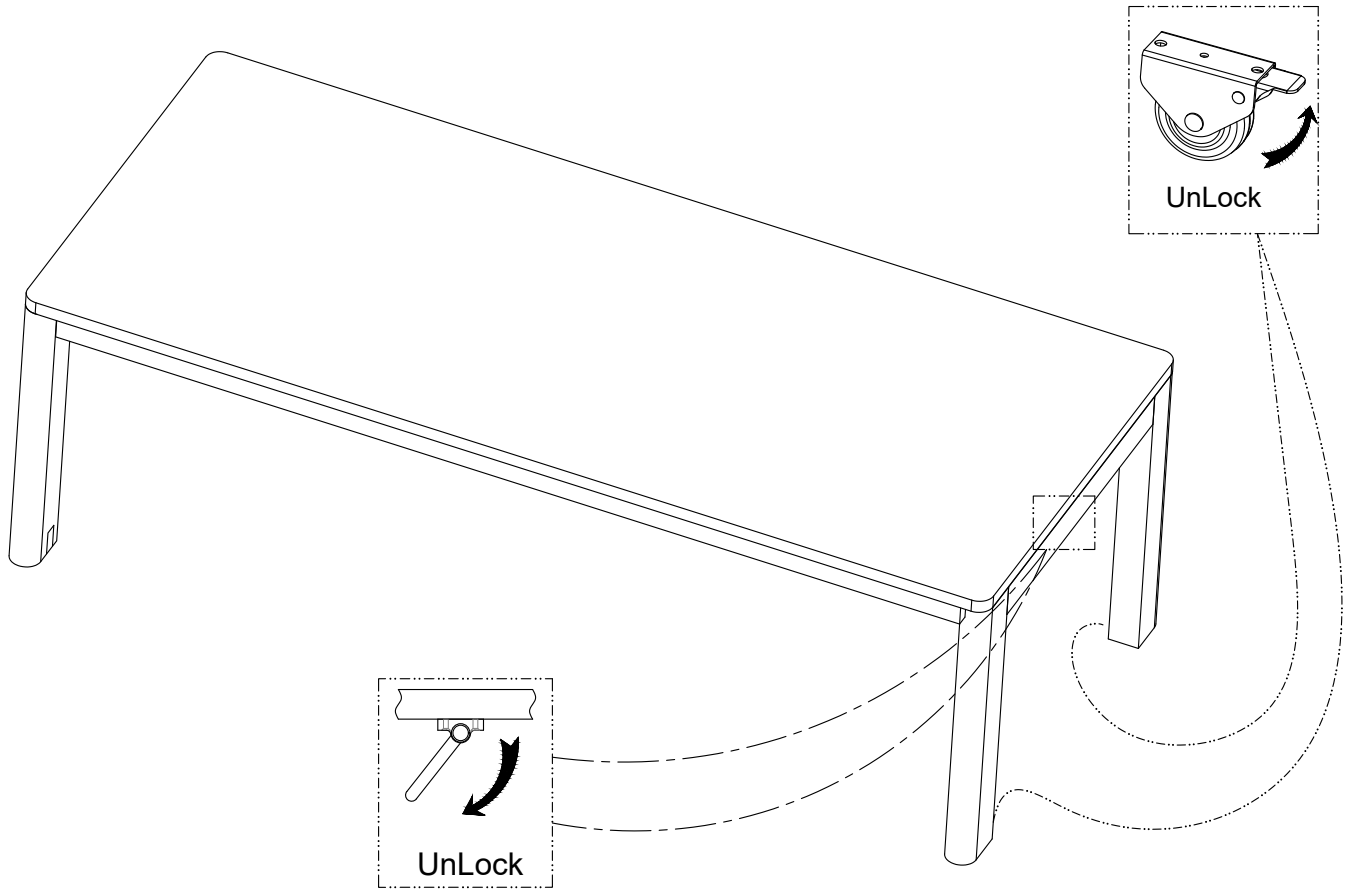


8

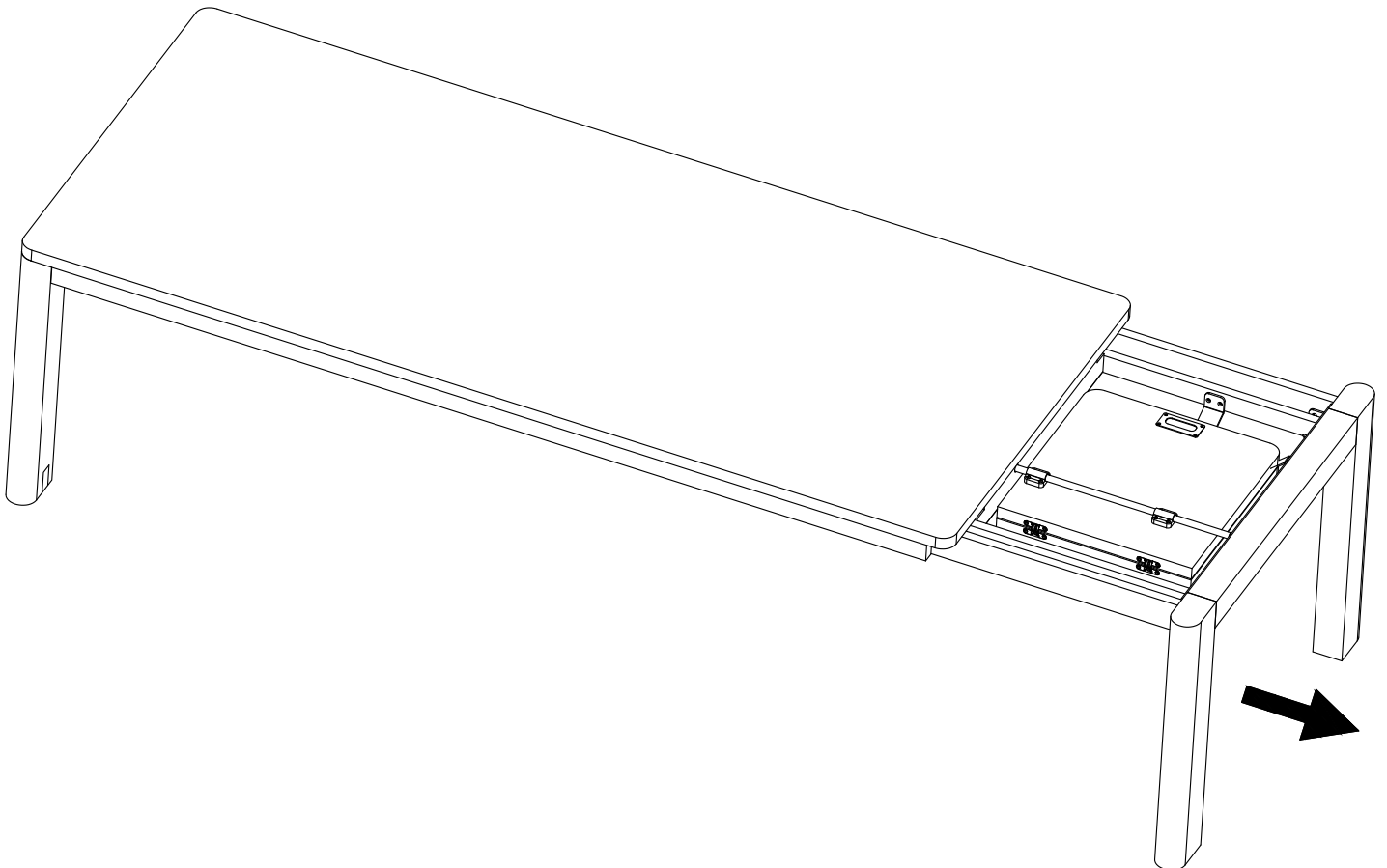


9

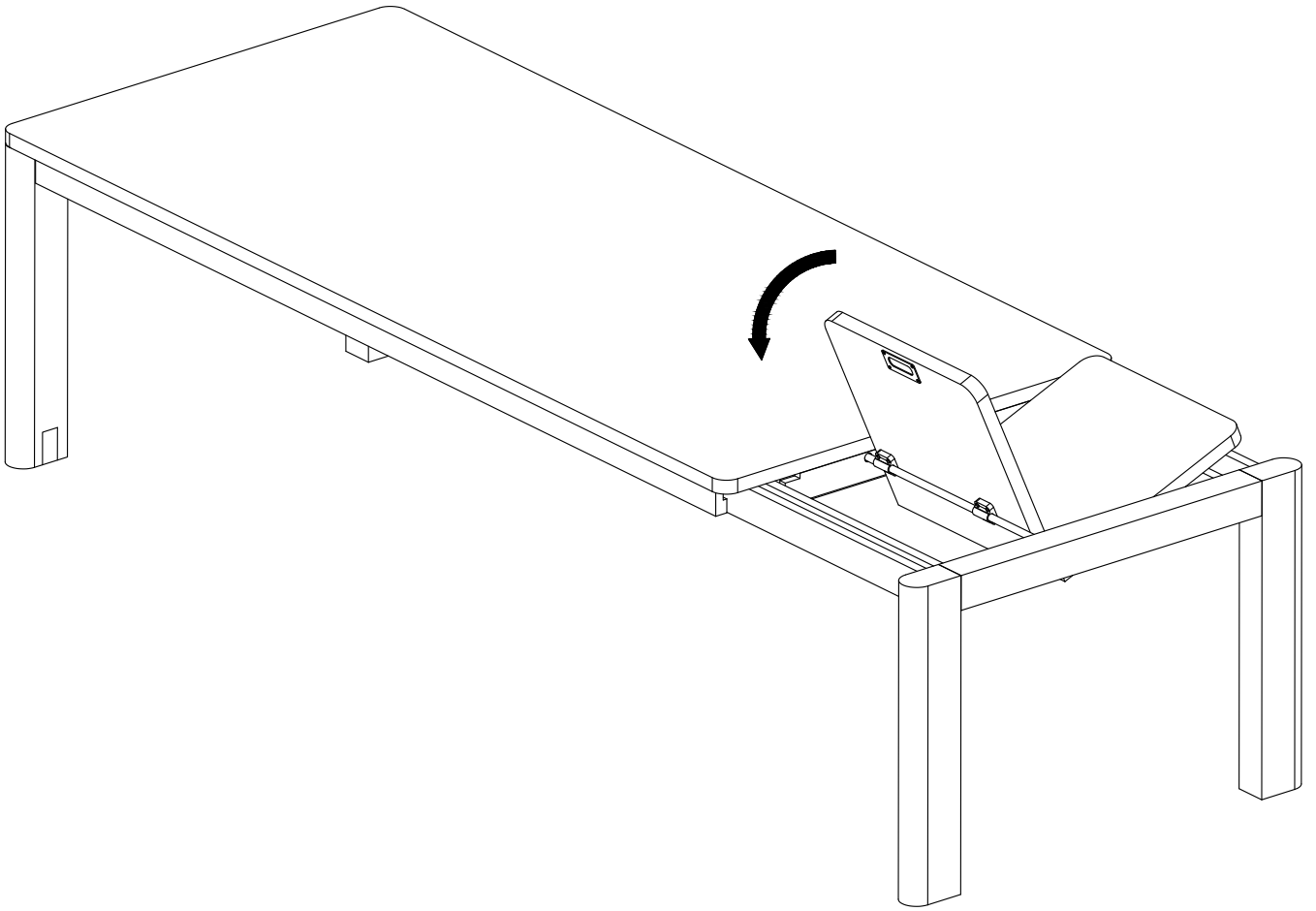
MANUAL USER



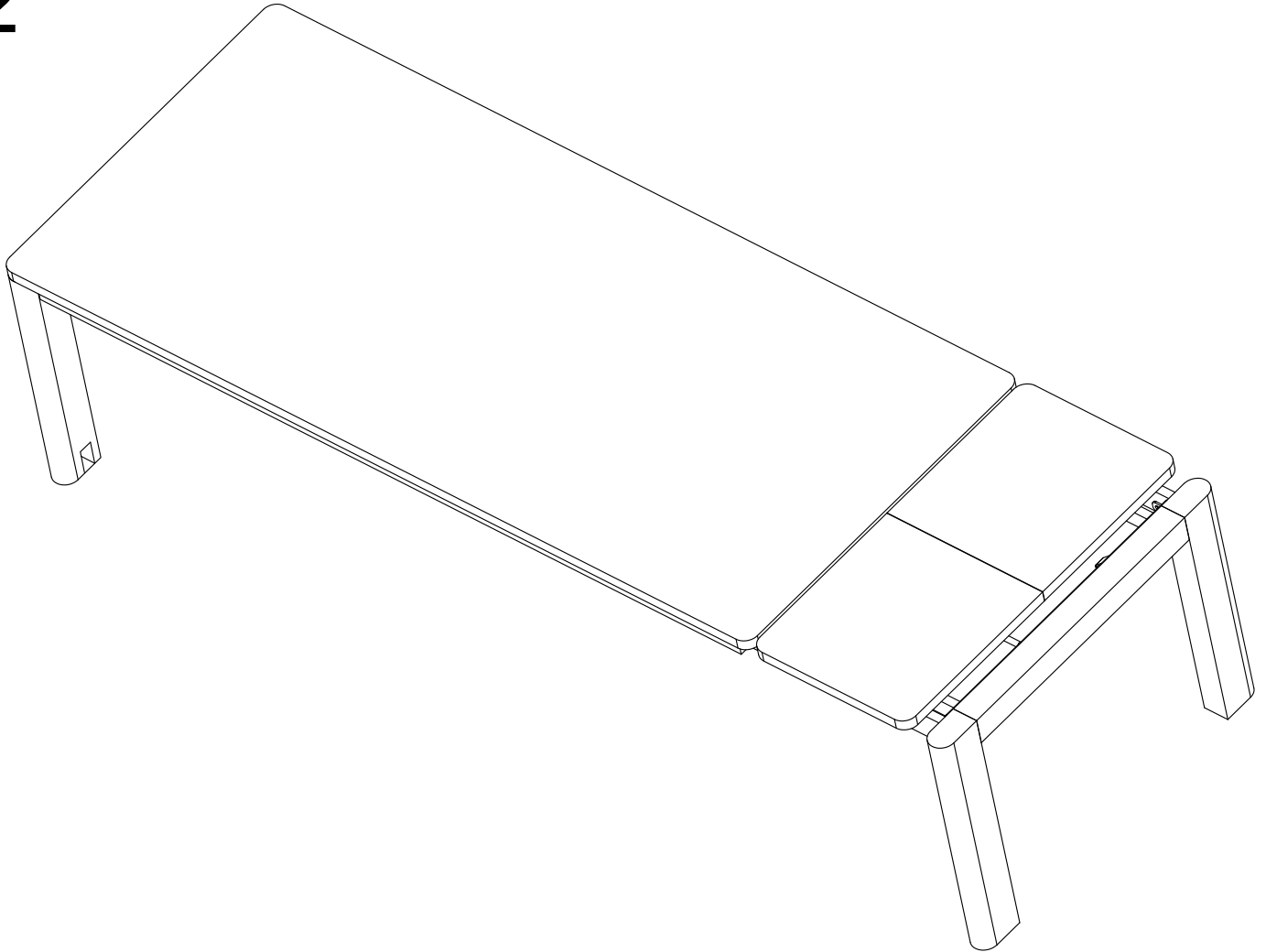
10



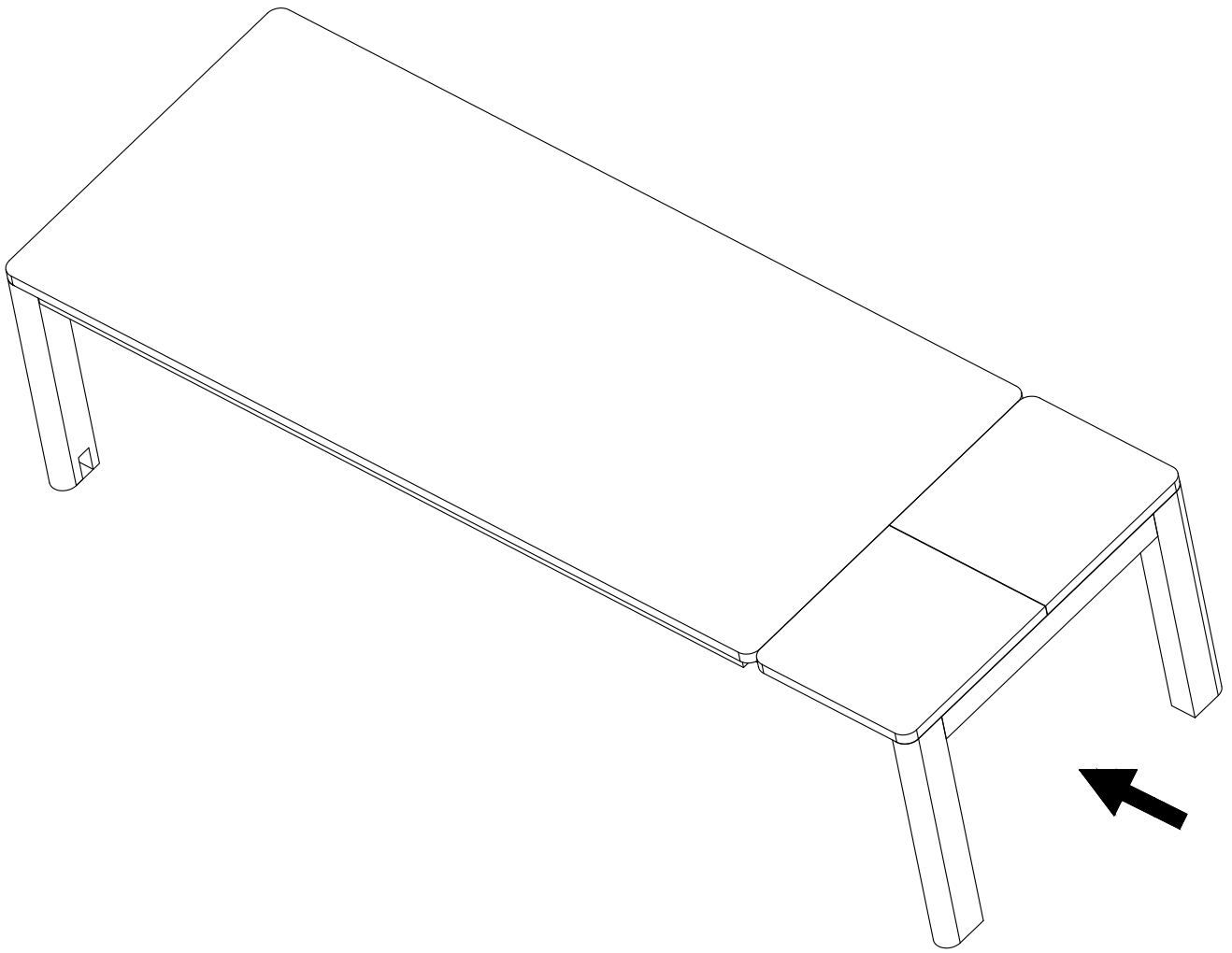
11



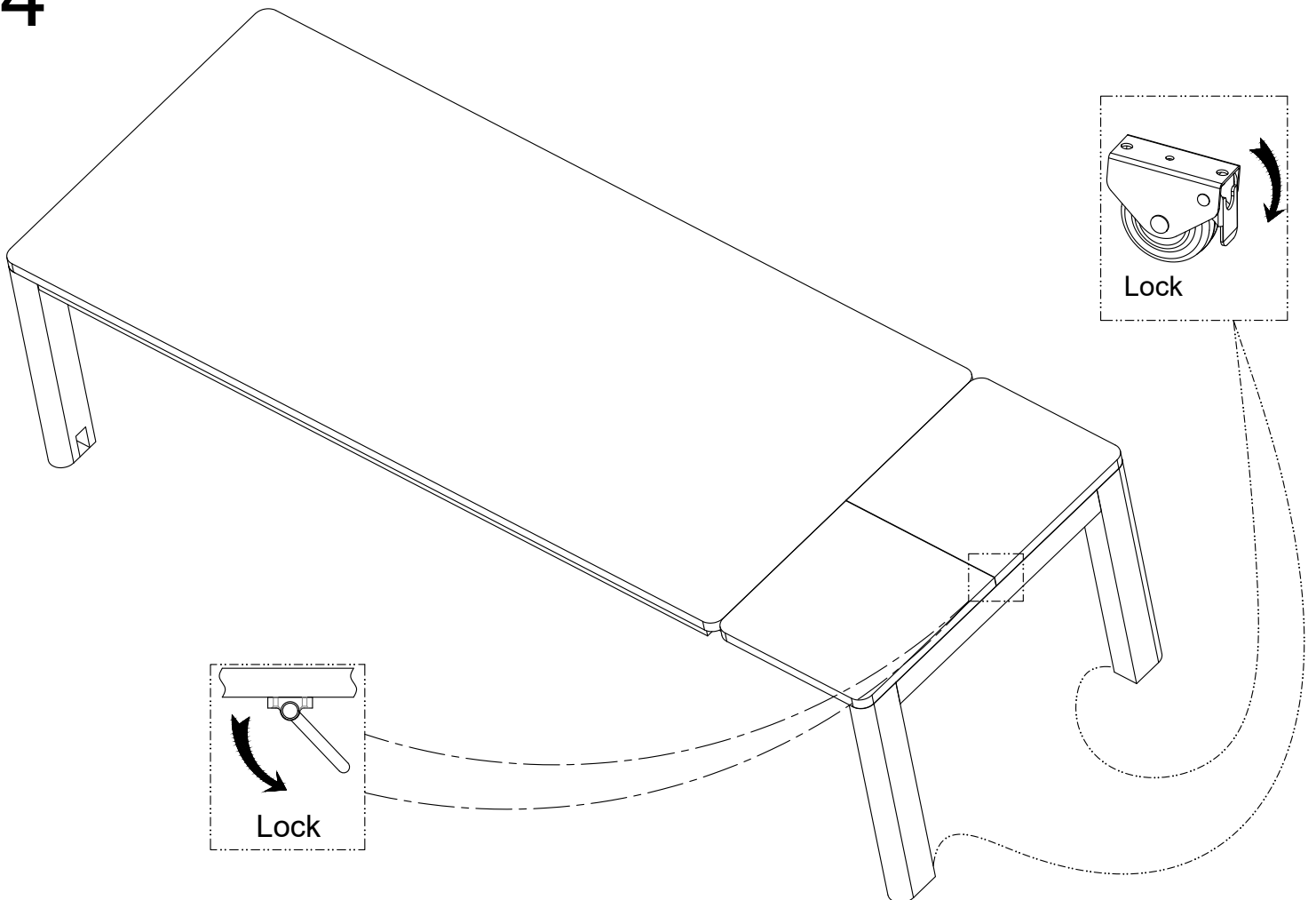
12



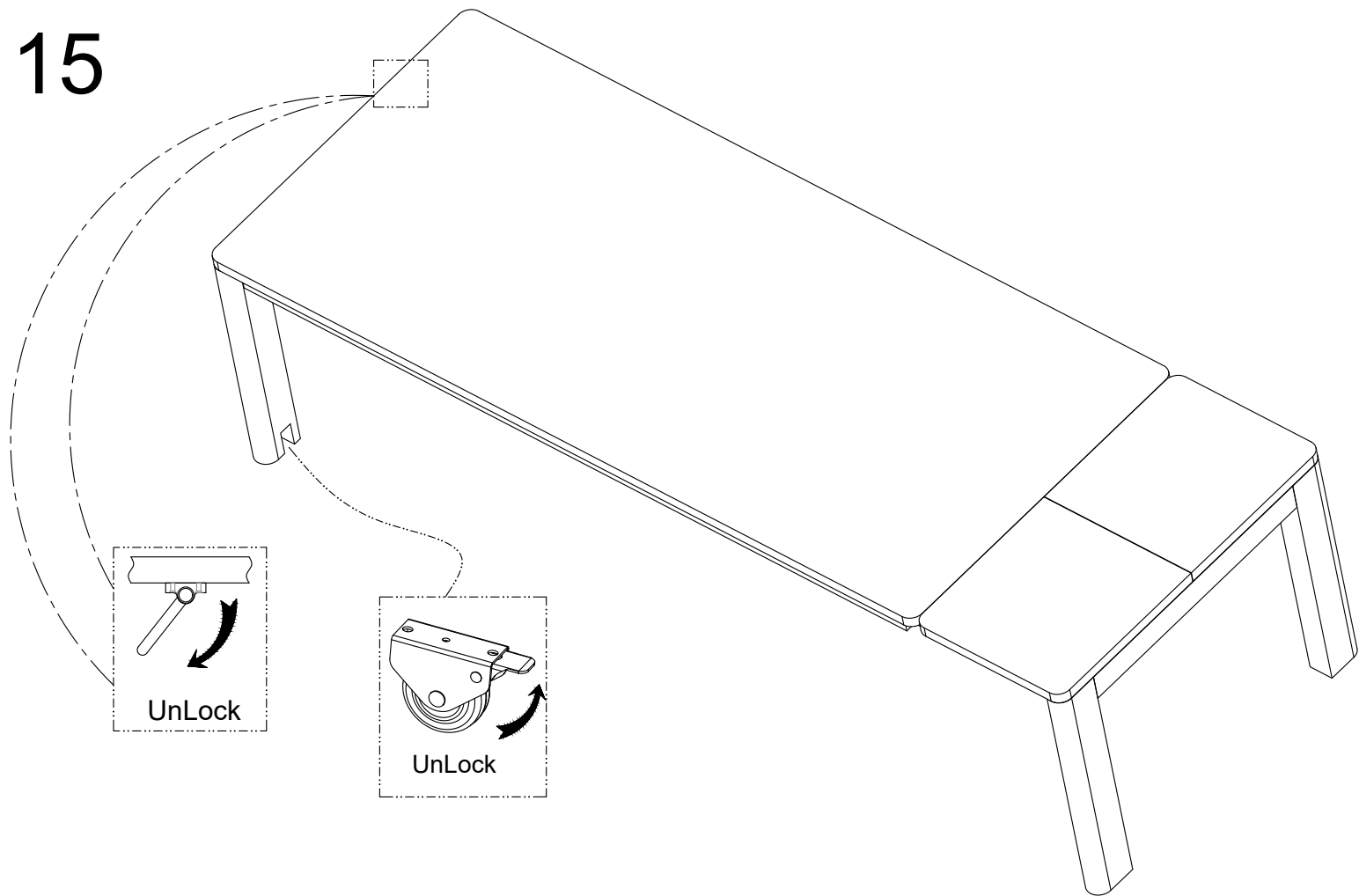
13



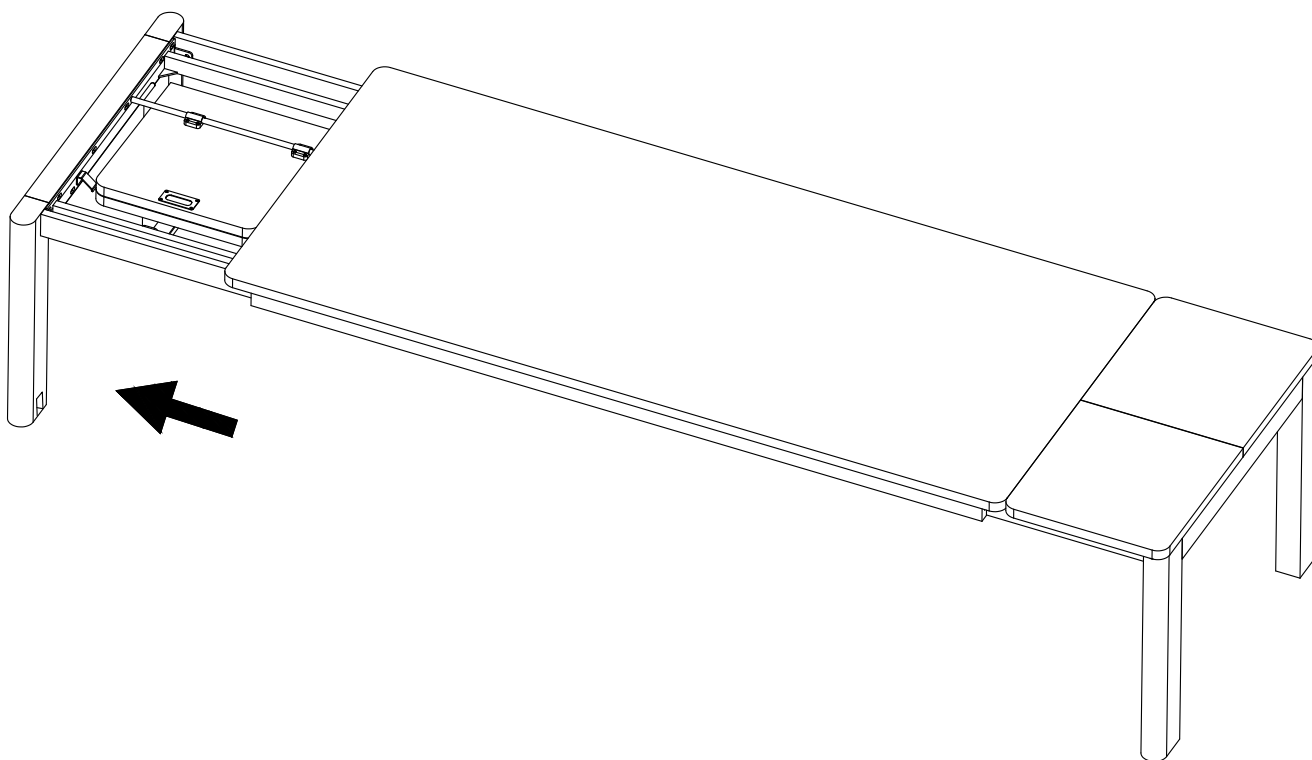
14



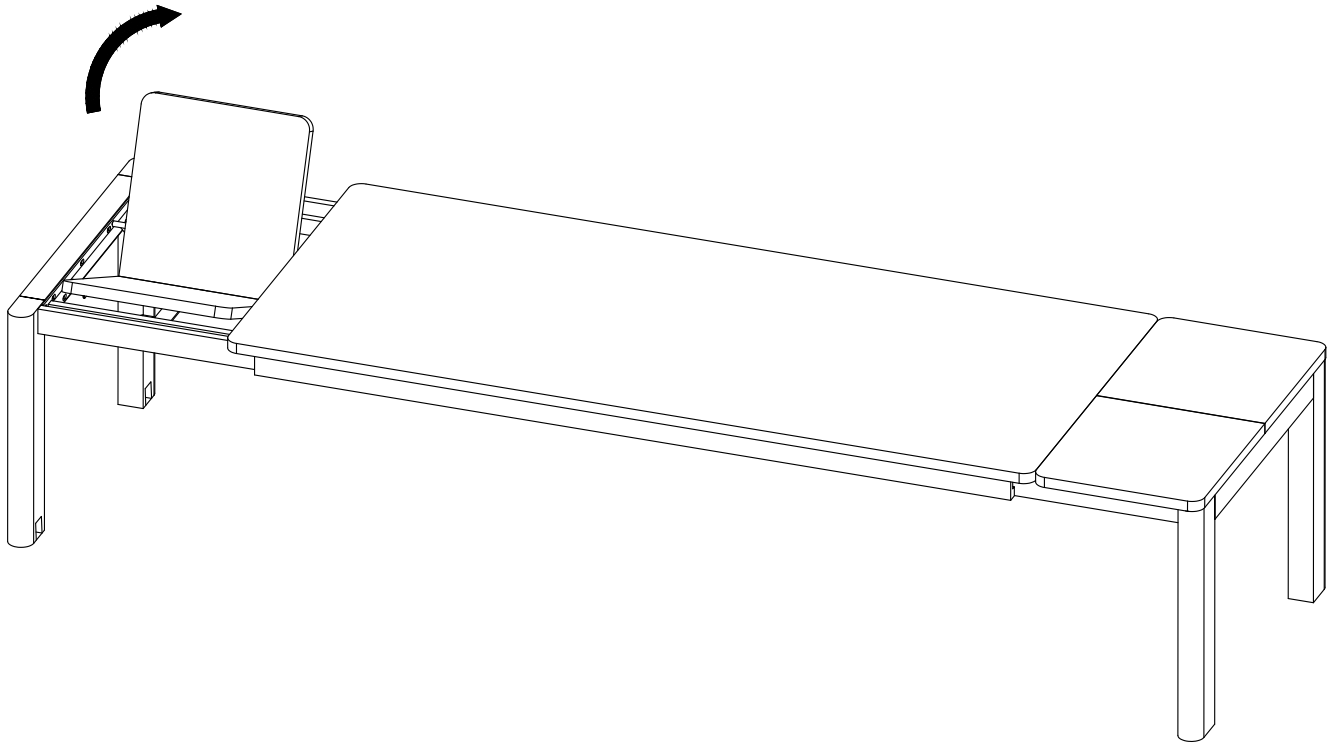
15



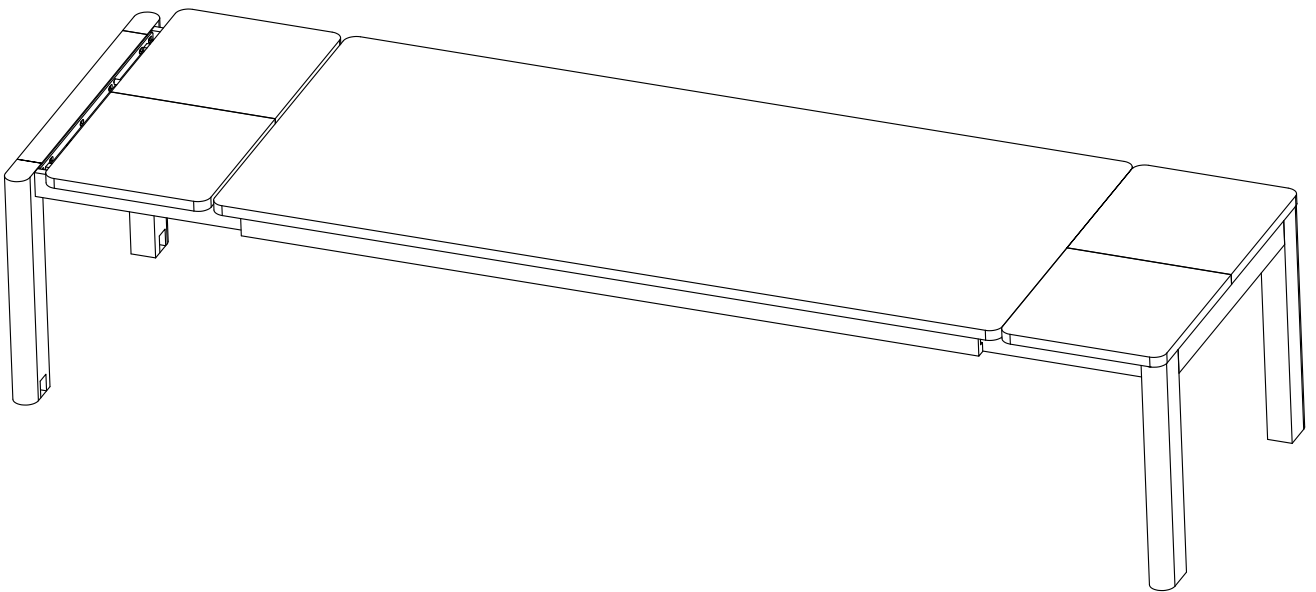
16



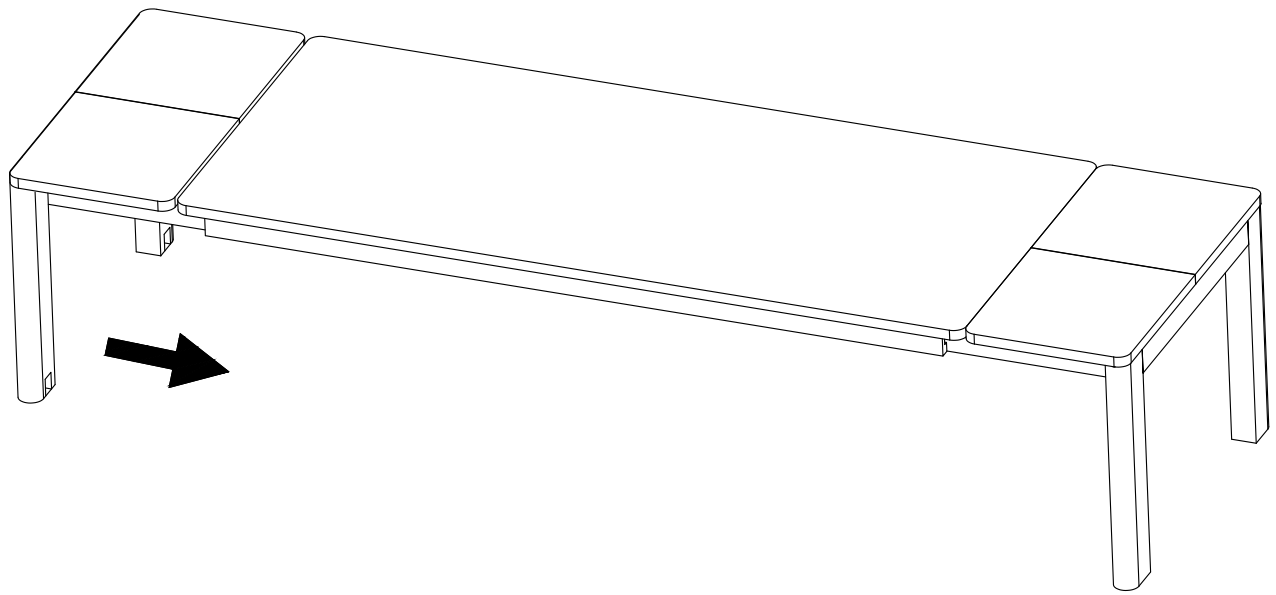
17



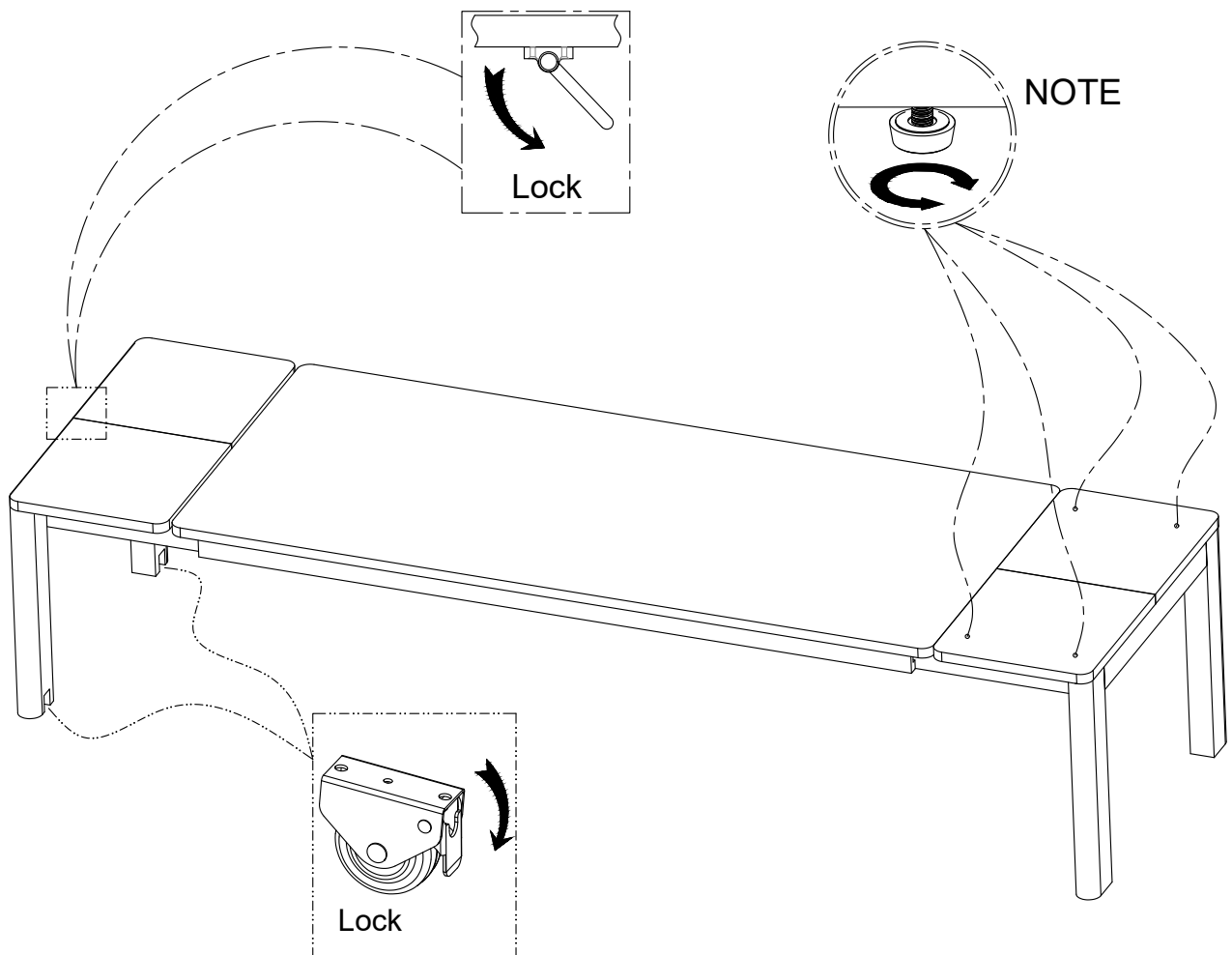
18



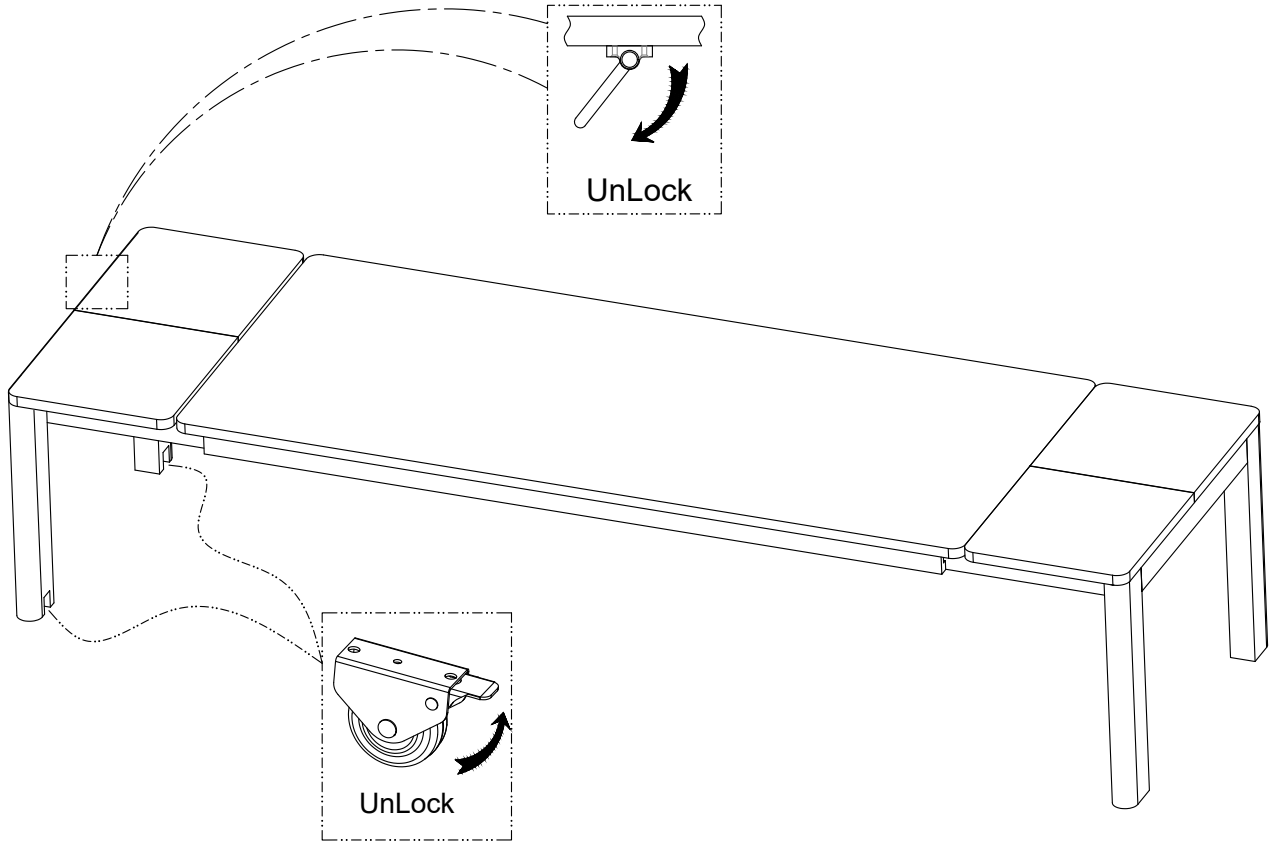
19



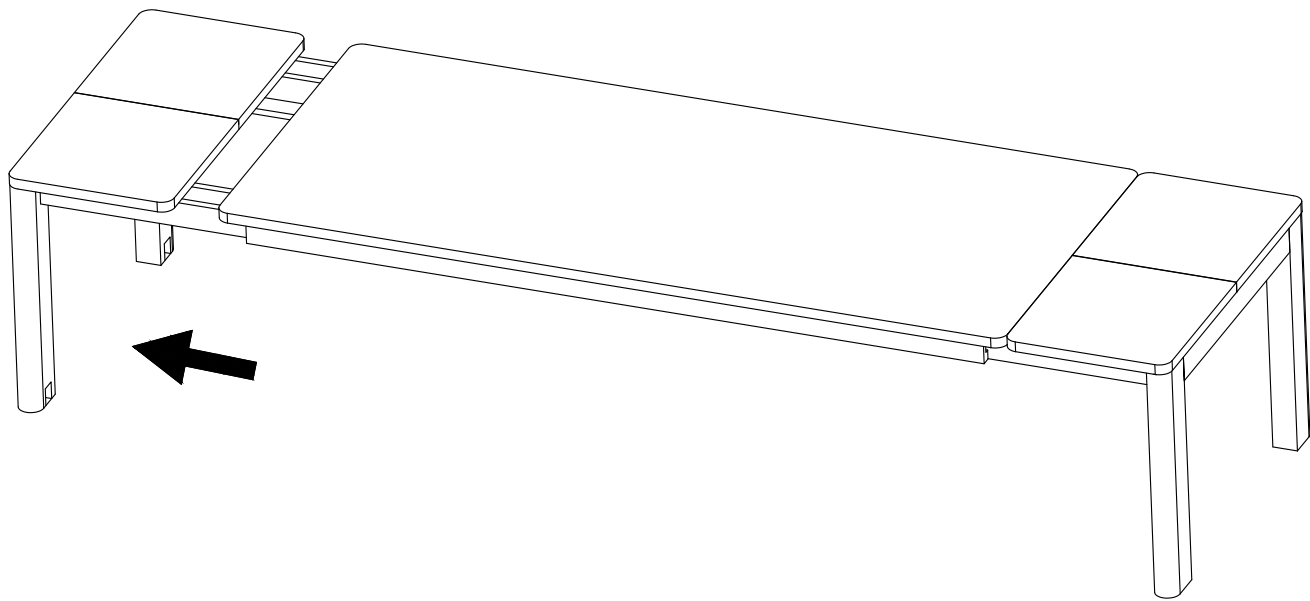
20



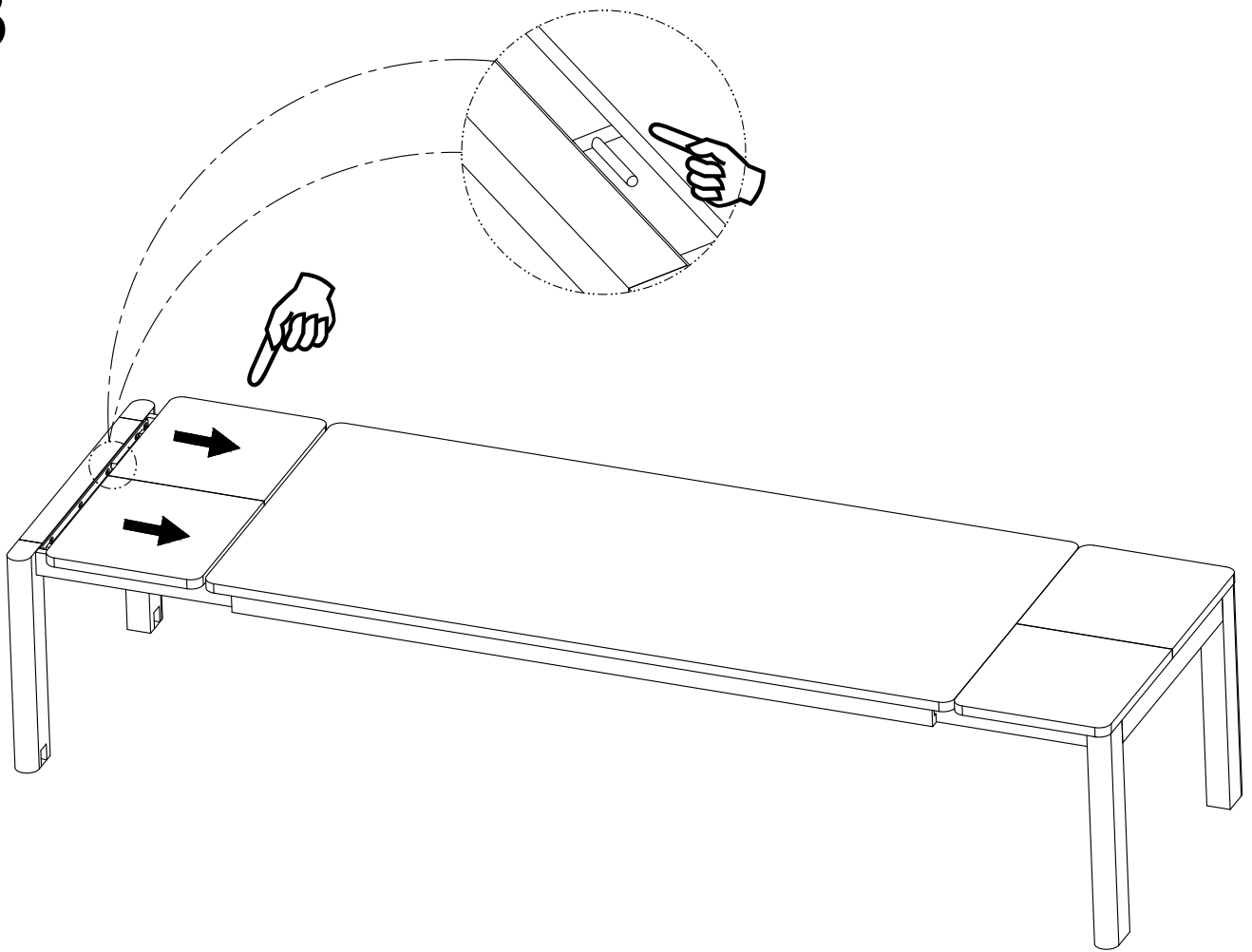
# 21



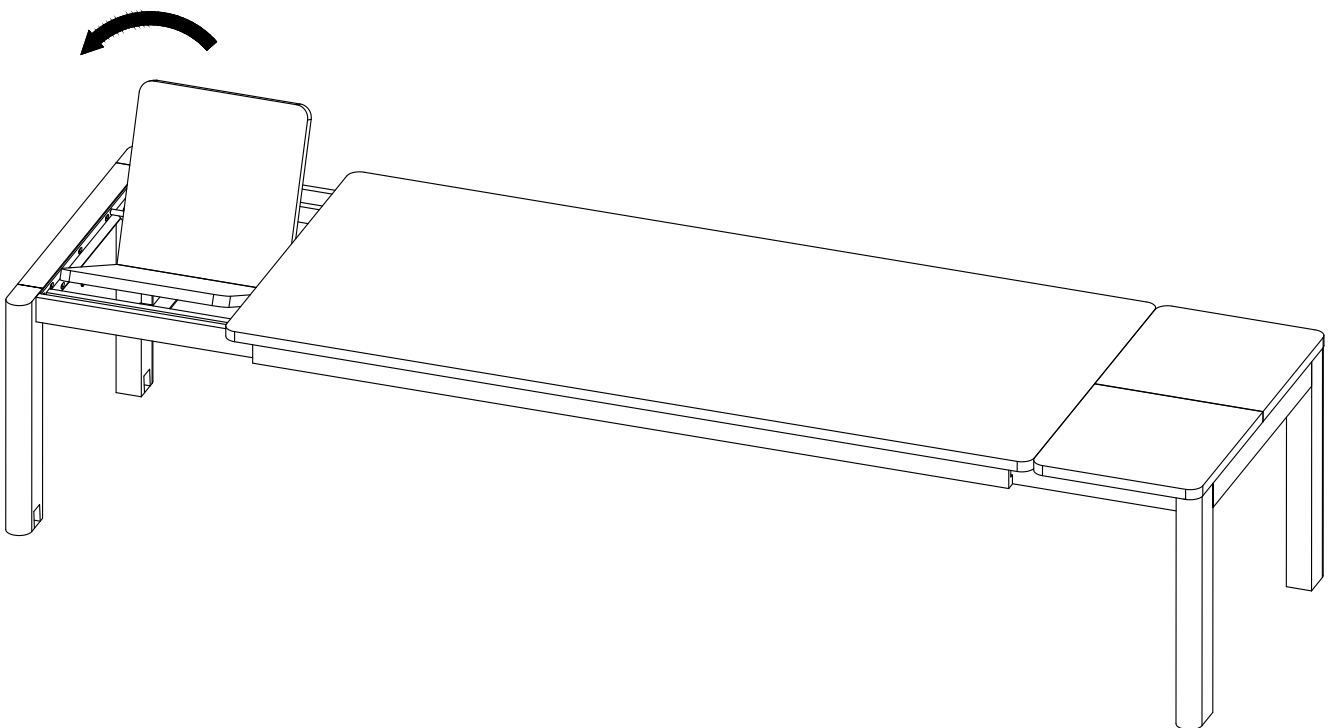
# 22



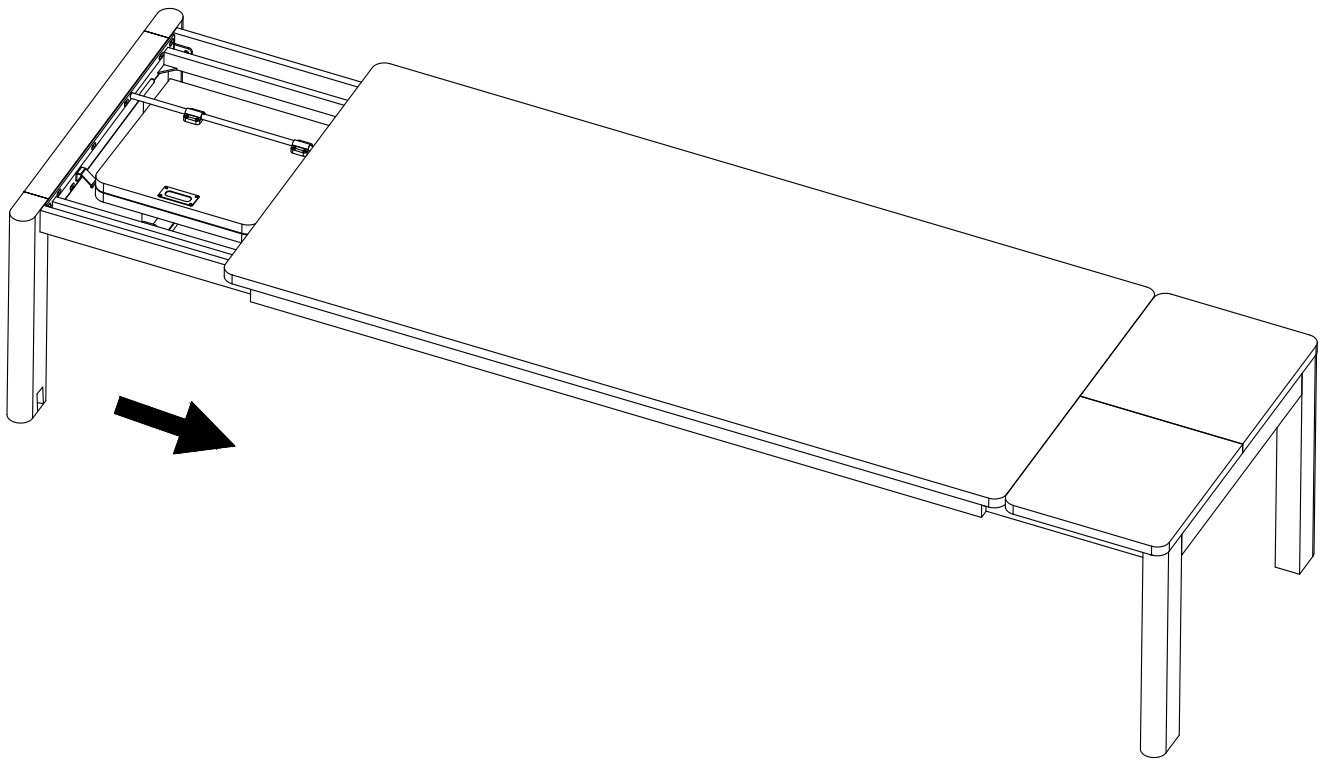
23



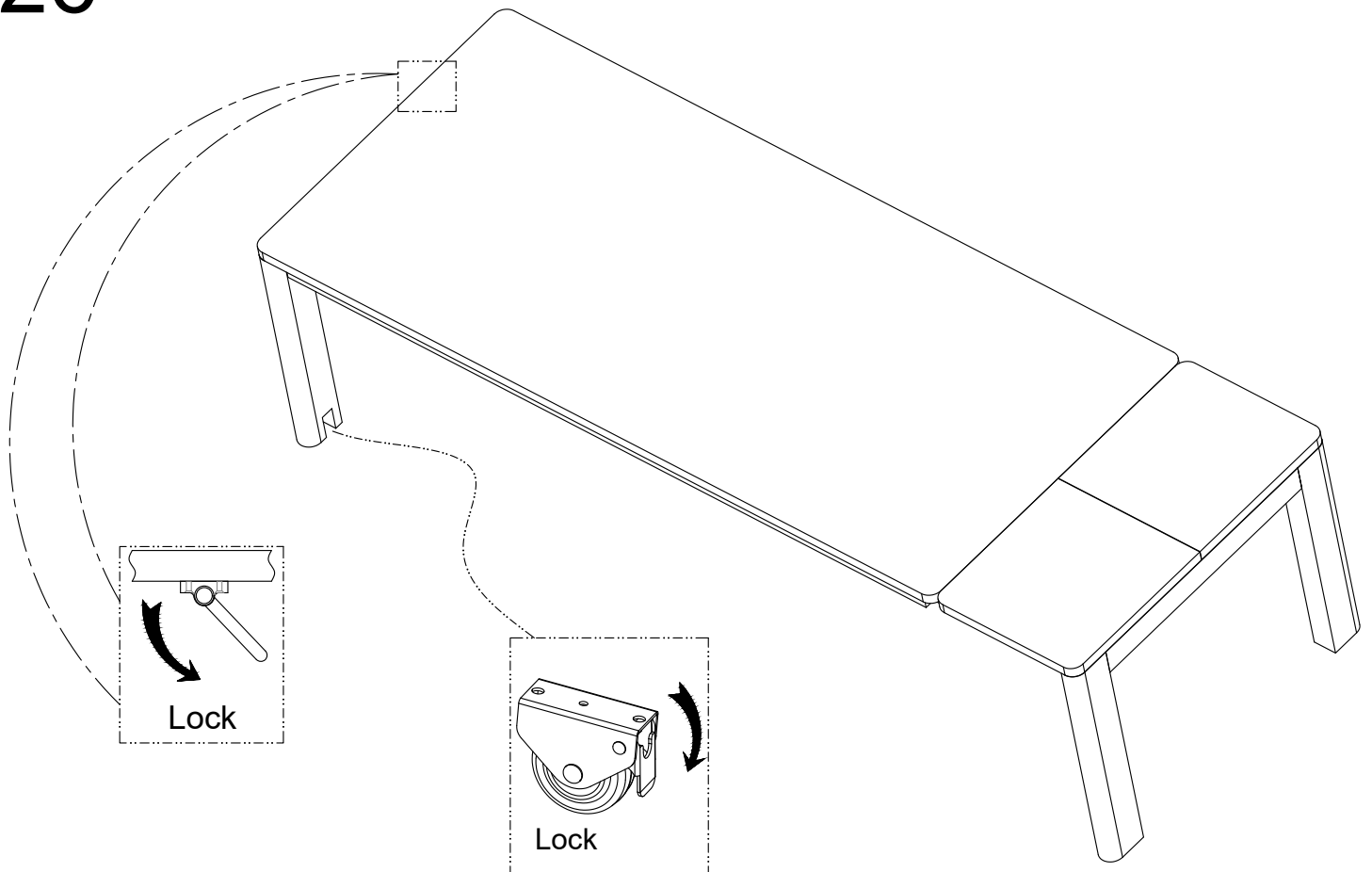
24



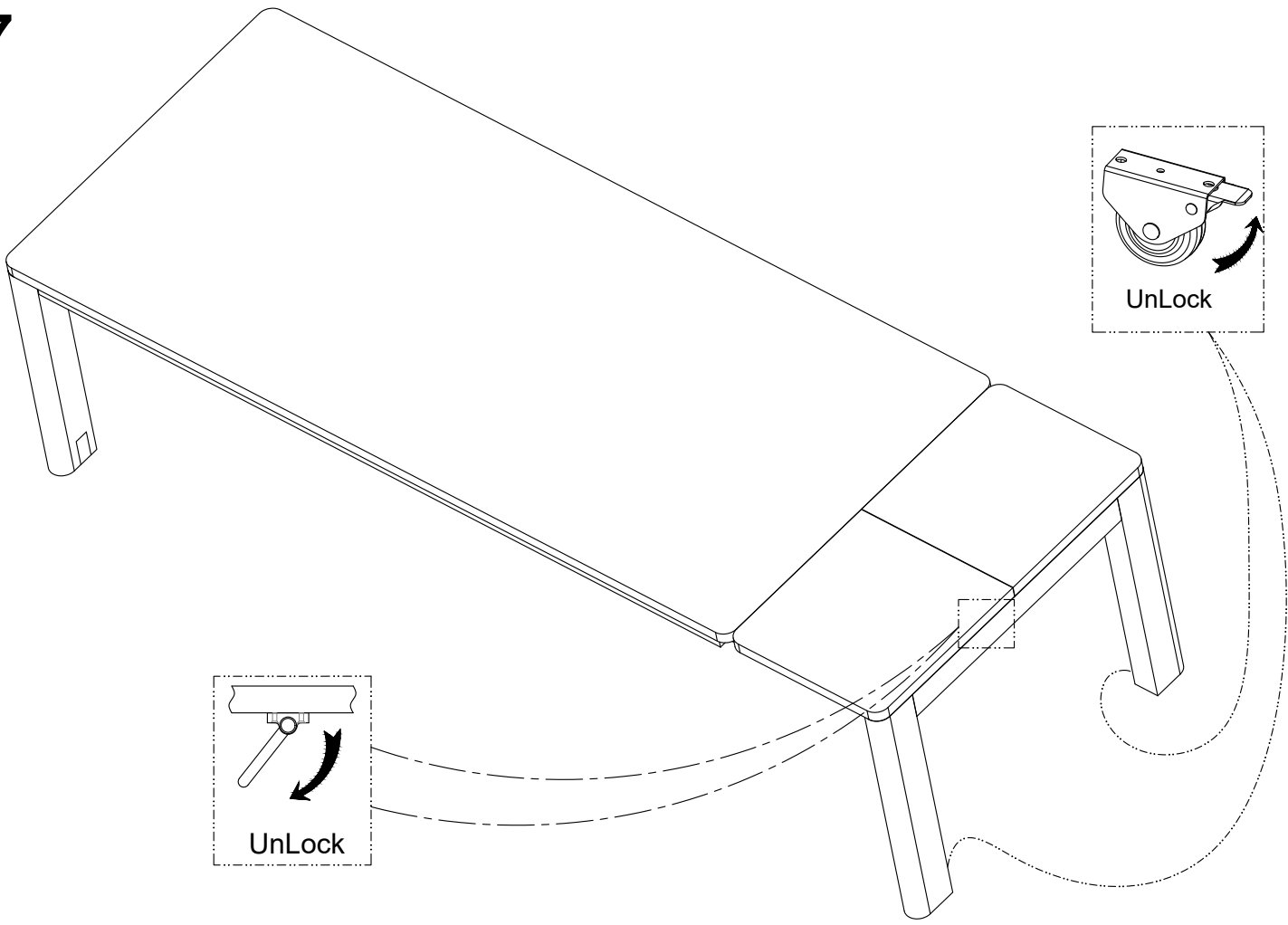
# 25



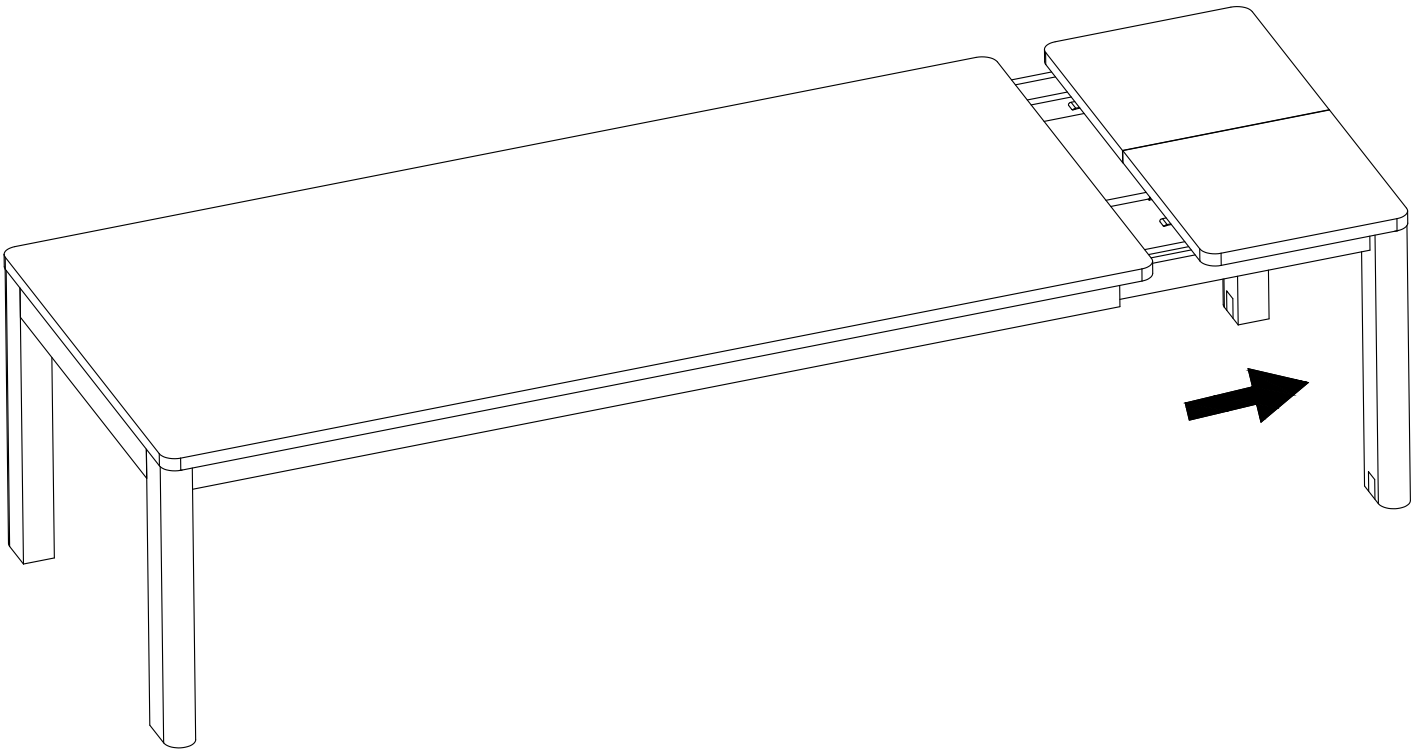
# 26



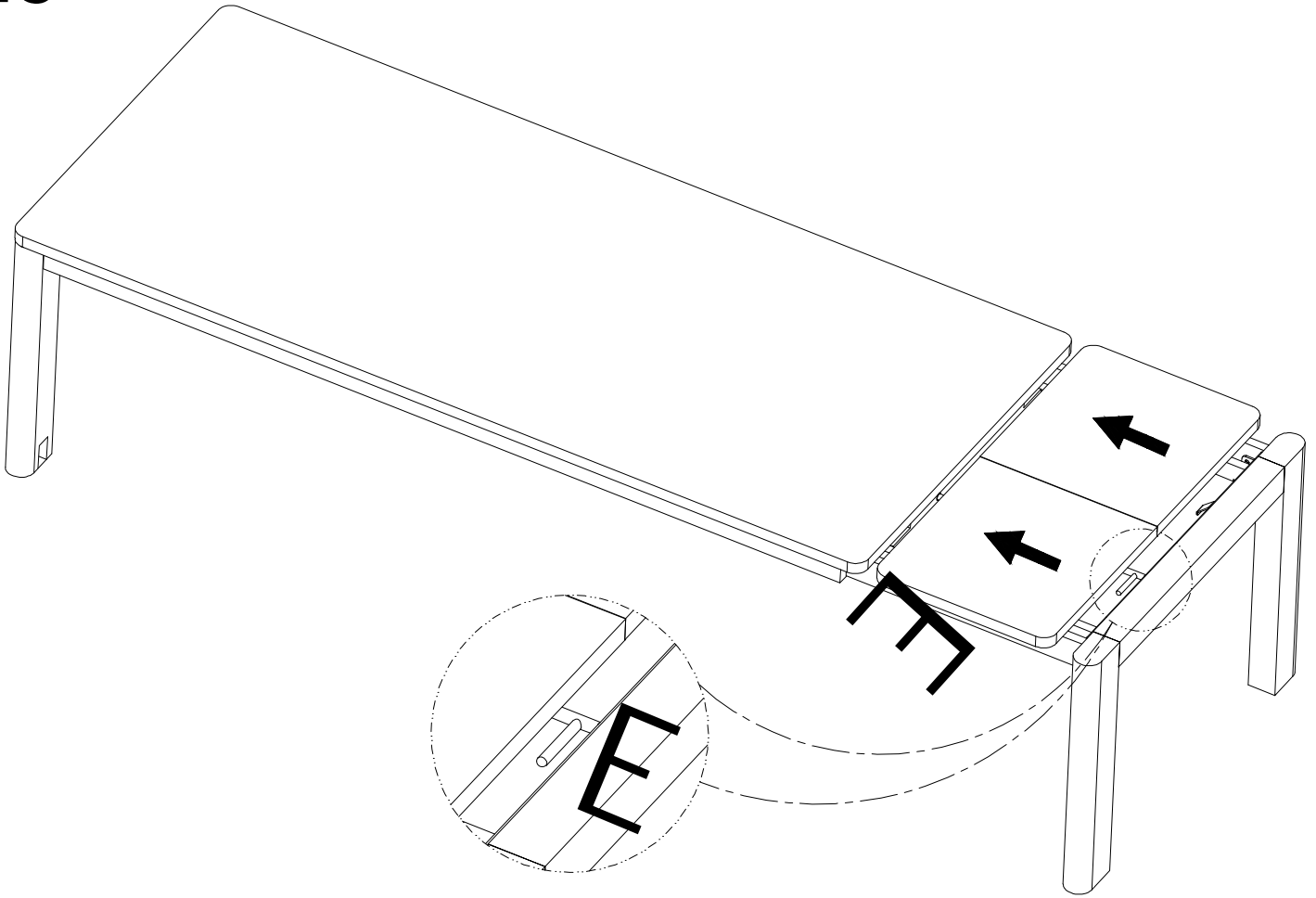
27



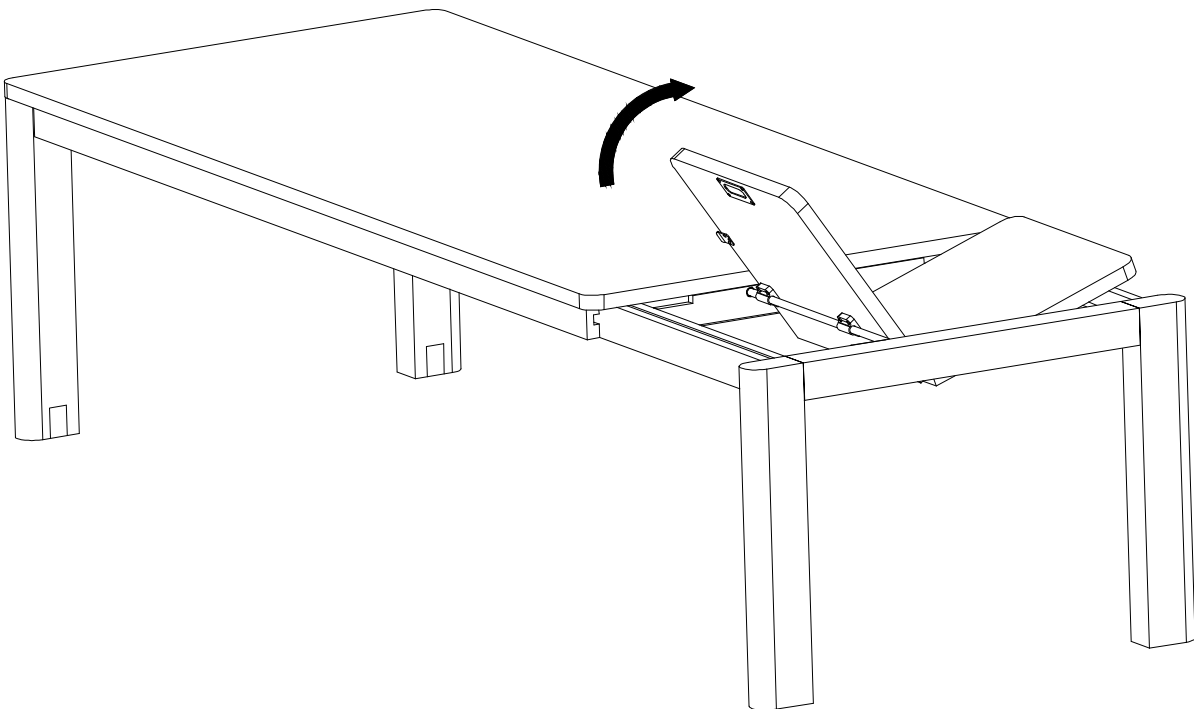
28



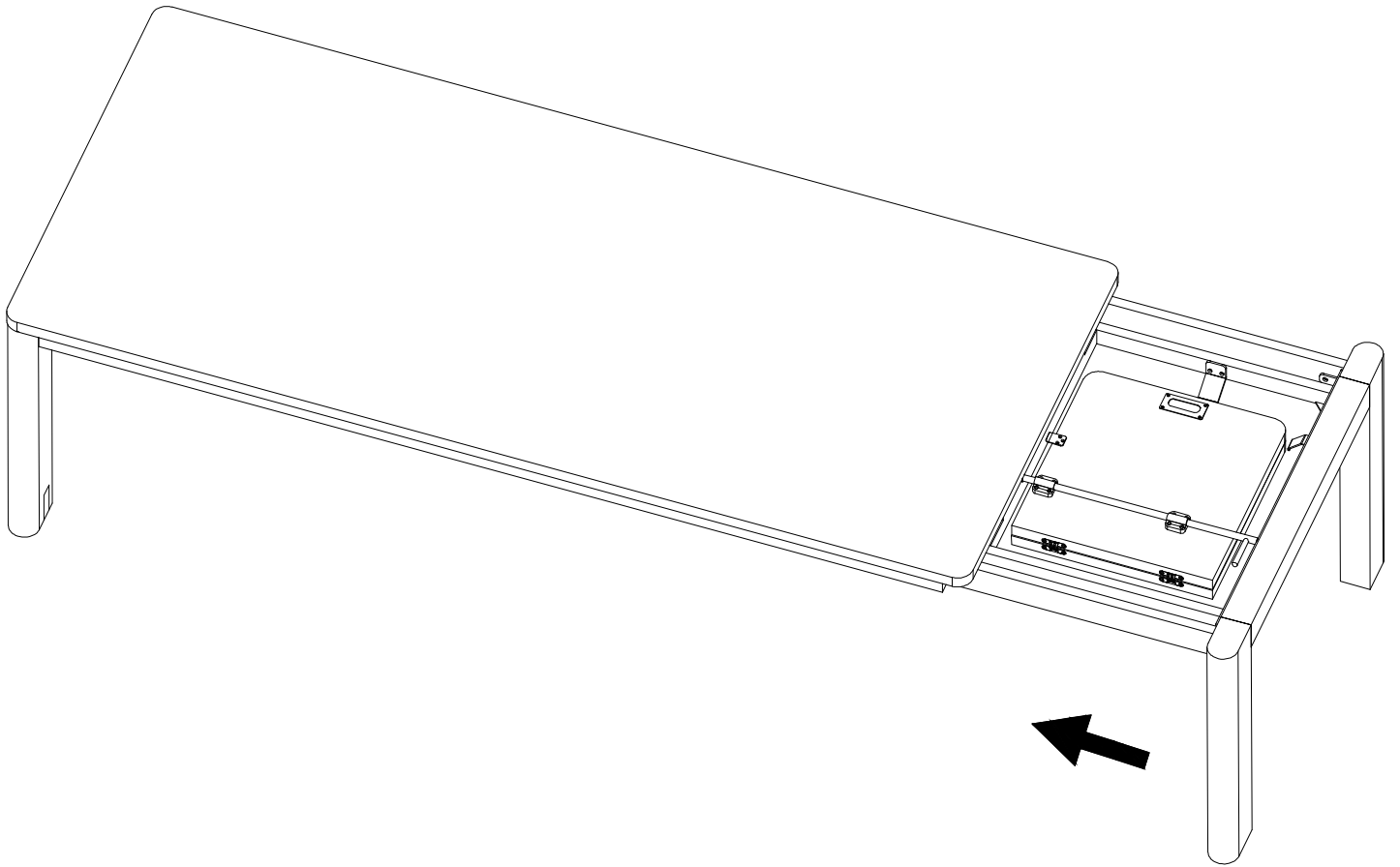
29



30



31



32

