

Under Cabinet Range Hood

6" Diameter Round Top Vent or
3¼"x10" Rectangle Top/Back Vent

Installation & User Manual

Applicable Models:

C01-G Series — Touch/Gesture/Remote Control

C01-K Series — Button + Knob Control

NOTICE: Read and save these instructions.

Installer: Leave this guide with the Homeowner.

Homeowner: Keep this guide for future reference.



TABLE OF CONTENTS

1. Safety Information

| | |
|--------------------------------------|---|
| 1.1 General Safety Precautions | 1 |
| 1.2 Electrical Safety | 3 |
| 1.3 Installation Warnings | 4 |
| 1.4 Proper Venting | 4 |

2. Product Overview

| | |
|----------------------------|---|
| 2.1 Specifications | 5 |
| 2.2 Product Image | 6 |
| 2.3 Accessories List | 7 |

3. Installation Instructions

| | |
|--|----|
| 3.1 Preparation | 8 |
| 3.2 Tools Required | 10 |
| 3.3 C01 Series Installation (C01-G / C01-K)..... | 11 |
| 3.4 Venting Methods..... | 16 |

4. Operating Instructions

| | |
|--------------------------------------|----|
| 4.1 For G Series Models (C01-G)..... | 17 |
| 4.2 For K Series Models (C01-K)..... | 19 |

5. Cleaning & Maintenance

| | |
|---------------------------------------|----|
| 5.1 Filter Cleaning/Replacement | 20 |
| 5.2 Cleaning Exterior Surfaces | 20 |
| 5.3 Replacing The LED Lights | 21 |

6. Troubleshooting Guide

22

7. Frequently Asked Questions

23

8. Warranty & Customer Support

24

1. Safety Information

1.1 General Safety Precautions

⚠ WARNING: If the information in this manual is not followed exactly, a fire or explosion may result causing property damage, personal injury, or loss of life.

- Before beginning installation, please read and follow these important instructions for the safety of your home and the people living in it.
- The instructions in this manual are intended for qualified installers and certified service technicians. Installation and electrical wiring must be completed by qualified professionals and in accordance with applicable codes and standards.
- DO NOT attempt to install this appliance yourself. Injury could result from installing the unit due to lack of appropriate electrical and technical background.
- The installer should leave these instructions with the consumer who should retain for local inspector's use and for future reference.
- Due to the size and weight of range hoods, two-person installation is highly recommended.
- Use care when handling the range hood, chimney cover, baffle filters, and any parts or accessories, as sharp edges may lead to injury. Use of gloves during installation is highly recommended.
- The manufacturer will not be responsible for any damage to property or to persons caused by incorrect installation, improper use of the appliance, or failure to heed the warnings listed.
- The manufacturer reserves the right to make changes to its products when considered necessary and useful, without affecting the essential safety and operating characteristics.
- This appliance is designed for general ventilating use only. DO NOT use to exhaust hazardous or explosive materials and vapors.
- The combustion air flow needed for safe operation of fuel-burning equipment may be affected by this unit's operation. Follow heating equipment guidelines and safety standards such as those published by the National Fire Protection Association (NFPA), American Society of Heating, Refrigeration and Air Conditioning Engineers (ASHRAE), and local code and government authorities.
- Sufficient air is needed for proper combustion and exhausting of gases through the ducting installed with range hoods to prevent backdrafting.
- Before servicing or cleaning the unit, fully disconnect the hood from power to avoid risk of electric shock and injury.

1. Safety Information

- Ducted range hoods **MUST ALWAYS** be vented to the outdoors or in some instances converted to recirculate the air.
- Some existing installations may already have an external damper at the exit point of the home. In this case, the damper in the transition piece of your hood needs to be removed, as these two dampers work against each other and will reduce the performance of the hood.
- Please consult an HVAC or installation professional for advice to comply with local regulations and ensure appropriate ventilation.
- When cutting or drilling into a wall or ceiling, be careful not to damage electrical wiring or other hidden utilities.
- All electrical wiring must be properly installed, insulated, and grounded. Range hoods come with a grounded 3-prong plug that must be plugged into a dedicated 15-amp circuit. Manipulating the plug or cutting the electrical cord will void your warranty.
- Electrical installation must be in accordance with the National Electrical Code ANSI/NPA 70 - latest edition or local codes.
- Old duct work should be cleaned or replaced, if necessary, to avoid the possibility of a grease fire or other hazard. Check all joints on duct work to ensure proper connection; all joints should be properly taped/secured.
- When a range hood ventilates air out of the room, the vented air must be replaced; this is called makeup air. If a makeup air system is needed, but not used, a hood may not function as expected due to negative air pressure.
- We do not currently provide makeup air units. Always consult applicable building codes regarding minimum and maximum airflow rates. Certain states may require additional items such as makeup air for larger CFM range hoods.
- Keep the motor, fans, baffle channels, filters, tunnels, grease cups, and grease-laden surface clean. Grease should not be allowed to accumulate inside or on the surface of the range hood; clean surfaces frequently.
- Take care when cleaning the range hood in spray form: never direct spray of water or cleaners onto the electrical wiring, motor, button panel, or LED lights.
- After installation, use a stainless steel cleaning product or wipe to eliminate any residues from protective film after removal.

1. Safety Information

1.2 Electrical Safety

IMPORTANT: Observe all governing codes and ordinances.

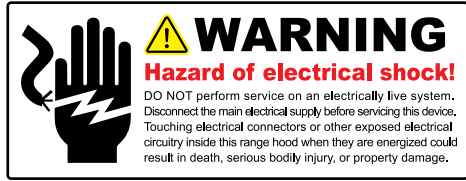
- It is the customer's responsibility:
 - To contact a qualified electrician.
 - To assure that the electrical installation is adequate and in conformance with National Electrical Code, ANSI/NFPA 70 - latest edition*, or CSA Standards C22.1-94, Canadian Electrical Code, Part 1 and C22.2 No. 0-M91 - latest edition** and all local codes and ordinances.
- DO NOT ground to a gas pipe.
- Check with a qualified electrician if you are not sure that the range hood is properly grounded.
- DO NOT have a fuse in the neutral or ground circuit.

IMPORTANT: Save this Installation Guide for electrical inspector's use.

- The range hood must be connected with copper wire/plug only.
- The range hood should be connected directly to the fused disconnect (or circuit breaker) box through flexible armored or non-metallic sheathed copper cable.
- A U.L. - or C.S.A. - listed strain relief must be provided at each end of the power supply cable.
- Wire sizes (copper wire only) and connections must conform with the rating of the appliance as specified on the model/serial rating label. Wire sizes must conform to the requirements of the National Electrical Code ANSI/NFPA 70 - latest edition*, or CSA Standards C22.1-94, Canadian Electrical Code Part 1 and C22.2 No. 0-M91 - latest edition** and all local codes and ordinances. A U.L. - or C.S.A. - listed conduit connector must be provided at each end of the power supply cable (at the range hood and at the junction box).
- Duct system must terminate to the outside (roof or side wall).
- DO NOT terminate the duct system in an attic or other enclosed area.
- DO NOT use 4" (10.2 cm) laundry-type wall caps.
- Use metal/aluminum duct only. Rigid metal/aluminum vent is recommended.
- DO NOT use plastic duct.
- Always keep the duct clean to ensure proper airflow.
- Calculate the following figures before installation:
 1. Distance from the floor to the ceiling.
 2. Distance from countertop/stove to range hood (recommend* 24" to 30").
 3. Height of hood and duct cover

1. Safety Information

1.3 Installation Warnings



1.4 Proper Venting

For the most efficient & quiet operation:

- A distance of 24" to 30" is recommended* between stove top and the bottom of range hood.
- It is recommended that the range hood be vented vertically through the roof through 6" or bigger round metal/aluminum duct work.
- The size of the duct should be uniform.
- Use no more than three 90° elbows.
- Make sure there is a minimum of 24" (61 cm) of straight duct between the elbows if more than one elbow is used.
- DO NOT install two elbows together.
- The length of duct system and number of elbows should be kept to a minimum to provide efficient performance.
- The duct system must have a damper. If roof or wall cap has a damper, DO NOT use damper (if supplied) on top of the range hood.
- Use aluminum foil tape to seal all joints in the duct system.
- Use caulking to seal exterior wall or roof opening around the cap.
- USE 6" ROUND ROOF OR RECTANGULAR WALL VENT CAP.

IMPORTANT:

- Use a rectangular to circular transition to connect range hood to ducting system.
- A minimum of a 6" round duct (standard for this range hood) must be used to maintain maximum airflow efficiency.
- Always use rigid type metal/aluminum ducts if available to maximize airflow when connecting to provided duct.
- ALWAYS, when possible, reduce the number or transitions and turns in the duct run. If a reducer is used, install a long reducer instead of a pancake reducer.
- Please use Duct Run Calculation below to compute total available duct run when using elbows, transitions and caps. Reducing the duct size will restrict airflow and decrease efficiency.
- If turns or transitions are required: Install as far away from opening and as far apart, between 2, as possible.
- Minimum mount height between stove top to hood bottom should be no less than 24".
- Maximum mount height between stove top to hood bottom should be no higher than 30".
- It is important to install the hood at the proper mounting height. Hoods mounted too low could result in heat damage and fire hazard; while hoods mounted too high will be hard to reach and will lose its performance and efficiency.
- If available, also refer to stove top manufacturer's height clearance requirements and recommended hood mounting height above range.

2. Product Overview

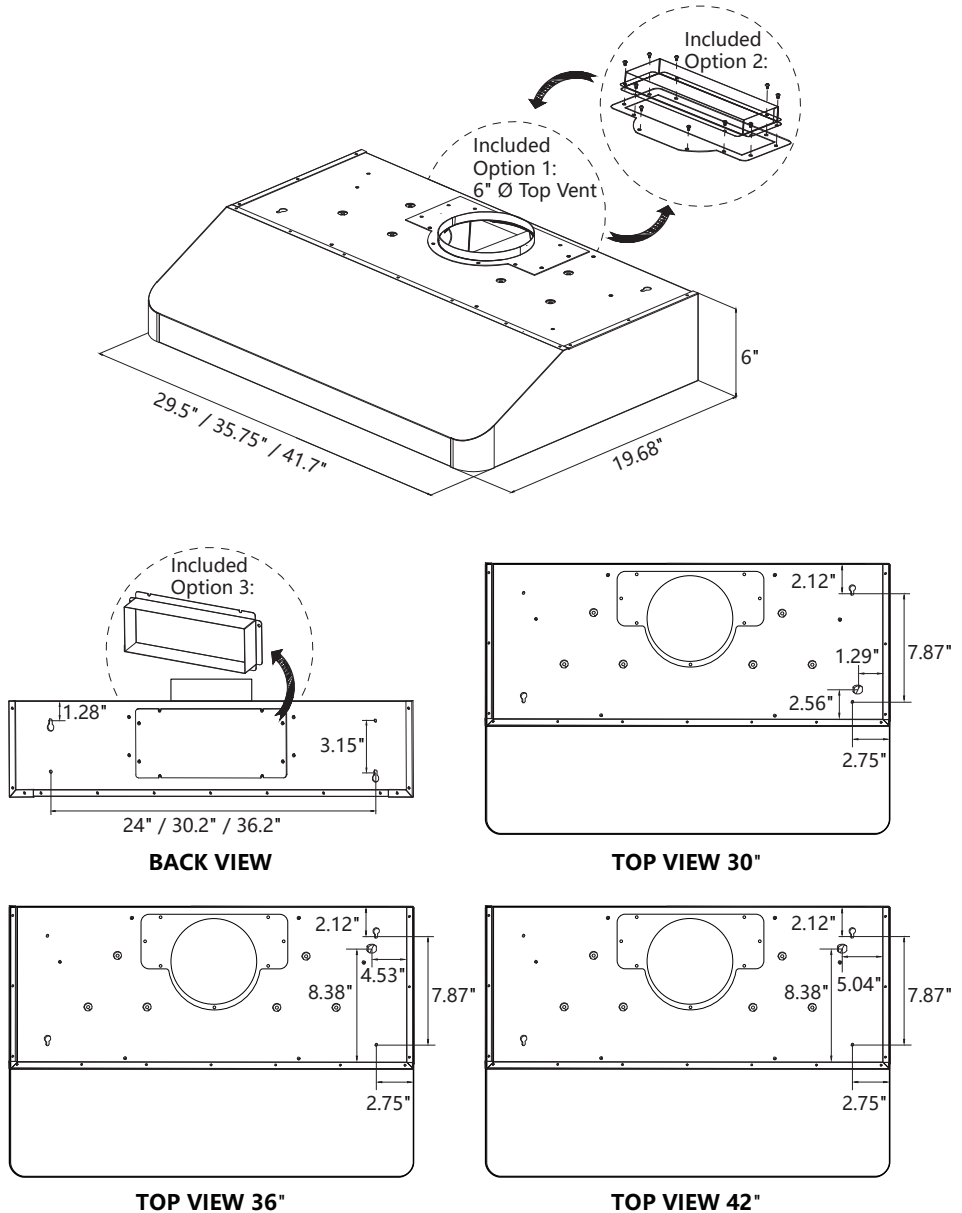
2.1 Specifications

| | |
|---------------------------|---|
| SERIES: MODEL | C01-G Series: C01-30G, C01-36G, C01-42G C01-K Series: C01-30K, C01-36K, C01-42K |
| CONTROL | Touch/Gesture/Remote Control (Only For G Series) Button + Knob Control (Only For K Series) |
| MATERIAL | Stainless Steel |
| POWER RATING | 120V/60Hz (USA & Canada standard) |
| CONSUMPTION/AMPERE | 150W/2A |
| NUMBER OF MOTORS | 2 |
| MOTOR TYPE | Single Chamber Ultra Quiet |
| FAN TYPE | Centrifugal Blower |
| EXHAUST | Top 6" Round, Top or Back 3¼" x 10" Rectangular |
| LIGHTS | 3-Watt LED Lights x 2 |
| SPEED LEVEL | 4 |

2. Product Overview

2.2 Product Image

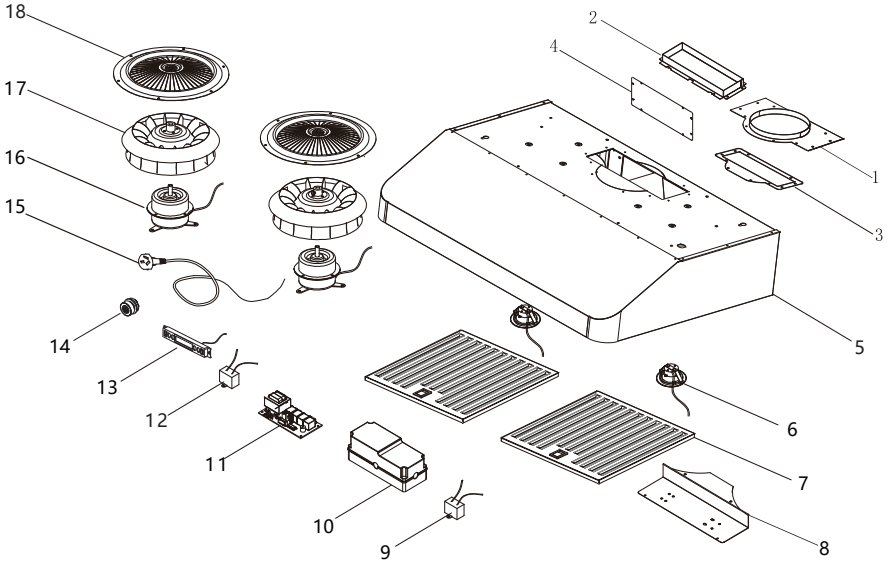
Model : C01-30G / C01-36G / C01-42G / C01-30K / C01-36K / C01-42K



2. Product Overview

2.3 Accessories List

Model : C01-30G / C01-36G / C01-42G / C01-30K / C01-36K / C01-42K



| No. | Description | Quantity |
|-----|-----------------------------------|-------------------|
| 1 | 6" Round Duct Connector | 1 |
| 2 | 3¼"x10" Rectangle Duct Connector | 1 |
| 3 | Rectangle Duct Connector Plate | 1 |
| 4 | Back Plate | 1 |
| 5 | Hood Body | 1 |
| 6 | LED Light | 2 |
| 7 | Stainless Steel Baffle Filter | 2(30")/3(36"/42") |
| 8 | Protective Panel | 1 |
| 9 | Right Capacitor | 1 |
| 10 | Plastic Box | 1 |
| 11 | Circuit Board | 1 |
| 12 | Left Capacitor | 1 |
| 13 | Control Panel (Only For G Series) | 1 |
| 14 | Knob Button (Only For K Series) | 1 |
| 15 | Power Cord | 1 |
| 16 | Motor | 2 |
| 17 | Fan Blade | 2 |
| 18 | Protective Panel | 2 |

3. Installation Instructions

3.1 Preparation



WARNING

Severe Injury

Hood may have very sharp edges. Please wear protective gloves if it is necessary to remove any parts for installing, cleaning or servicing.



WARNING

Excessive Weight

Require two or more persons to move and install this range hood. Spinal or other bodily injuries could occur if it is not followed.

Advanced Preparations:

- Read the entire installation guide and users manual thoroughly, understand instructions and warnings.
- Be familiar with the controls of the range hood by reading through Range Hood Operations.
- Place all supplied parts and required hardware on a flat, stable surface and verify the existence of all supplied parts.
- Place the range hood on a flat, stable surface. Connect the range hood to a designated standard outlet (please refer the product label for the suitable voltage of this unit) and verify no debris has entered the duct openings, then turn on the range hood. Verify all operations of the range hood by referring to Range Hood Operations.
- Carefully remove the white or blue plastic protective coat from the range hood.

Preparations:

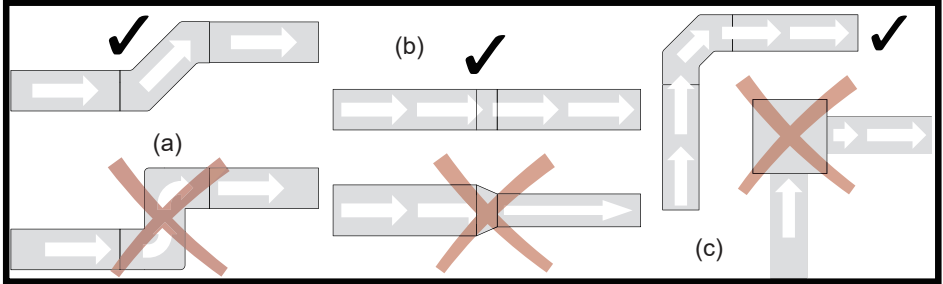
NOTE: To avoid damage to your hood, prevent debris from entering the vent opening.

- Decide the location of the venting pipe from the hood to the outside. Refer to Venting Methods.
- A straight, short vent run will allow the hood to perform more efficiently.
- Try to avoid as many transitions, elbows, and long run as possible. This may reduce the performance of the hood.
- Using 45 degree elbows is better than using 90 degree elbows.
- **IMPORTANT:** Peel white plastic protective coat off the hood, if any.
- Use aluminum tape to seal joints between pipe sections.

3. Installation Instructions

DO' S AND DON' TS FOR DUCT VENTING

- a. Avoid the use of sharp elbows. Use 45 degrees instead, if possible.
- b. DO NOT use REDUCERS. Keep the size of the duct the same, as per the manual. A reducer will reduce the CFM of the hood and increase the noise.
- c. DO NOT use plenum boxes. Boxes create turbulence and make the hood inefficient. Use a smooth elbow to guide the air outdoors.



THE HOOD MUST BE TESTED BEFORE INSTALLATION.

We will not be responsible for additional labour costs related to reinstallation of the hood due to transportation internal damage or wiring issues.

Calculating Vent System Length

To calculate the length of the system you need, deduct the equivalent feet for each vent piece used in the system from the recommended maximum duct run.

| Duct Run Calculation: | |
|---|-------|
| Recommended maximum run | |
| 6" round duct or 3¼" x 10" rectangle duct | 50 ft |
| Duct piece deduction | |
| Each 90° elbow used | 9 ft |
| Each 45° elbow used | 5 ft |
| Each 6" to 3¼" x 10" transition used | 7 ft |
| Side wall cap with damper | 0 ft |
| Roof cap | 0 ft |

Duct Run Calculation example:

One roof cap, two 90° elbow, and one 45° elbow used:

0ft + 9ft + 9ft + 5ft = 23ft used.

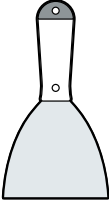
Deduct 23ft from 50ft, 27ft maximum available for straight duct run.

3. Installation Instructions

3.2 Tools Required



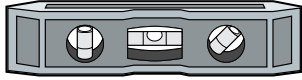
Phillips
Screwdriver



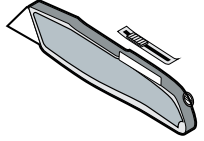
Putty Knife



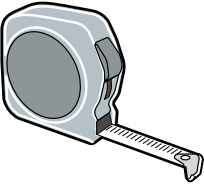
Pencil



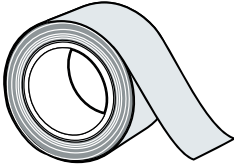
Level



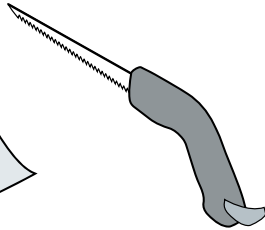
Utility Knife



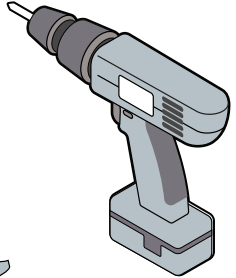
Tape Measure



Aluminum Tape



Drywall Knife



Power Drill

3. Installation Instructions

3.3 C01 Series Installation (C01-G / C01-K)

⚠ WARNING
Severe Injury
Hood may have very sharp edges. Please wear protective gloves if it is necessary to remove any parts for installing, cleaning or servicing.

⚠ WARNING
Hazard of electrical shock!
DO NOT perform service on an electrically live system. Disconnect the main electrical supply before servicing this device. Touching electrical connectors or other exposed electrical circuitry inside this range hood when they are energized could result in death, serious bodily injury, or property damage.

FRONT VIEW

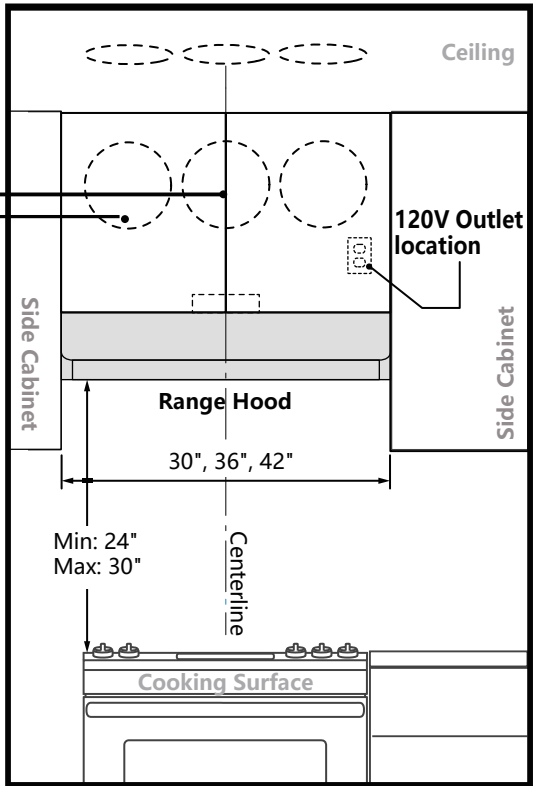
Measure the distance between the stove top and the bottom of range hood.

A distance of 24" to 30" is recommended*.

*Due to different ceiling height configurations, recommended height may not be applicable.

Preferred areas to install wall or roof vent ducting.

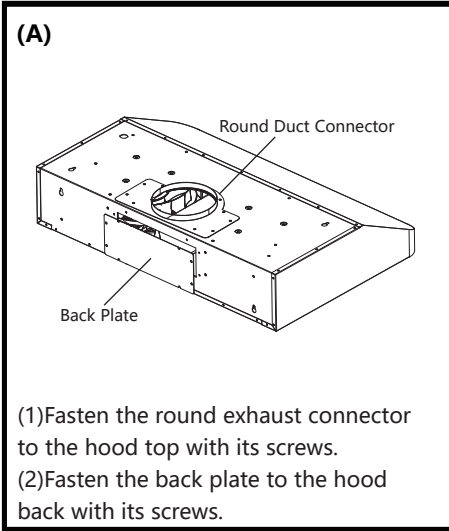
Wall or roof vent may be installed in these areas but not recommended.



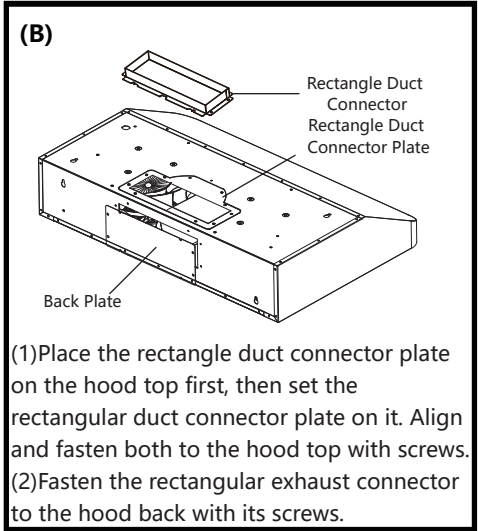
3. Installation Instructions

Select The Exhaust Connector

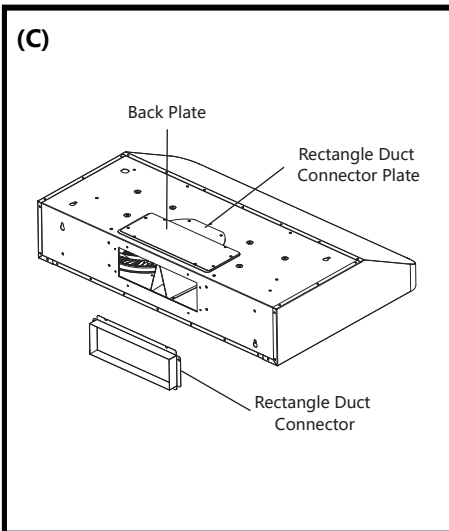
Option A: Top 6" Round Exhaust Connector



Option B: Top 3¼" x 10" Rectangular Exhaust Connector



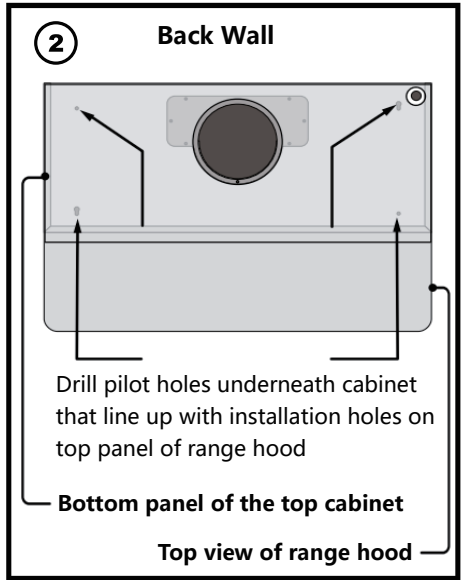
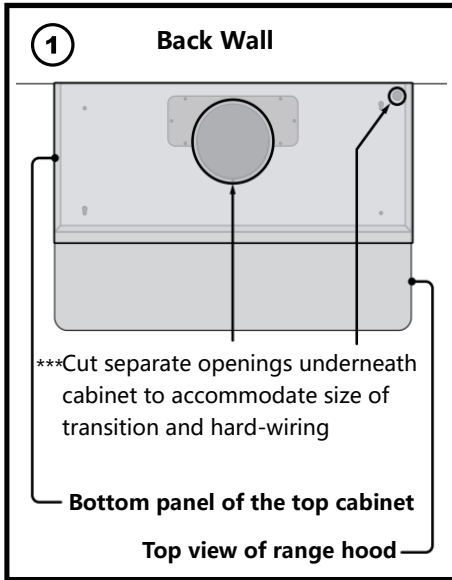
Option C: Back 3¼" x 10" Rectangular Exhaust Connector



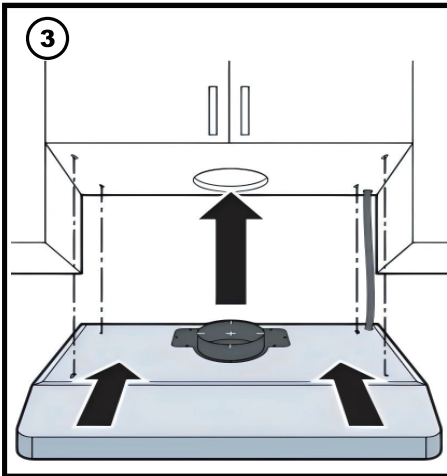
NOTE: Remove damper if you will be using a roof or wall cap that already has a built-in damper included.

3. Installation Instructions

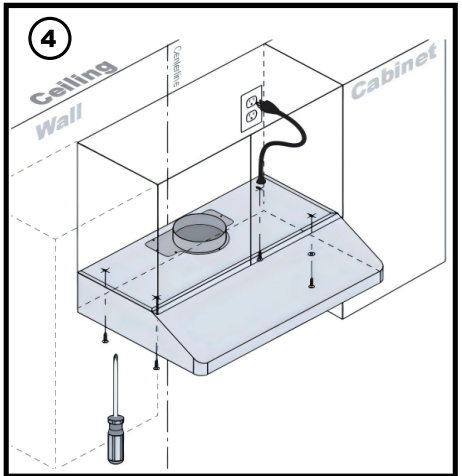
Round Transition



*** Ensure you have $\frac{1}{8}$ " space from wall to your cut out to accommodate size of connector for ducting



Lift and insert the range hood underneath the cabinet.
Ensure the wiring passes through the opening created below the cabinet.

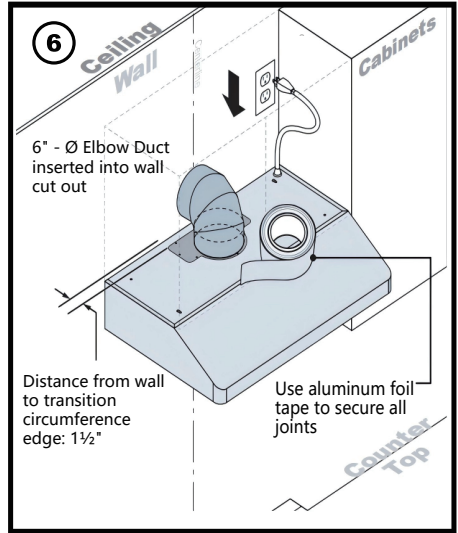
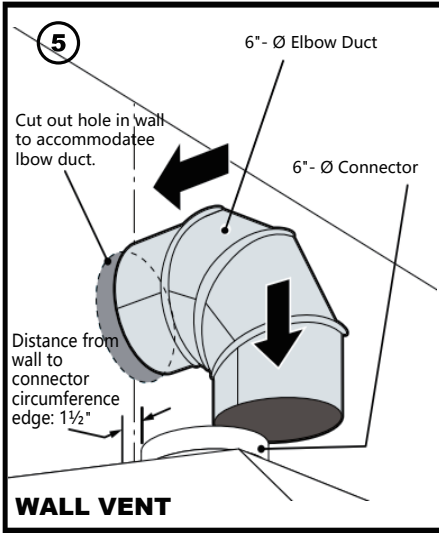


Secure with 4 screws from the inner side of the range hood.

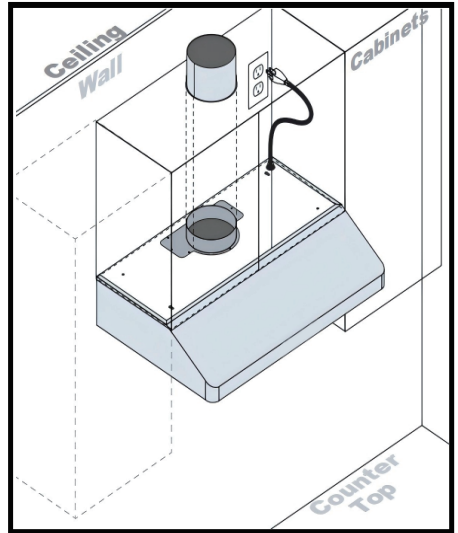
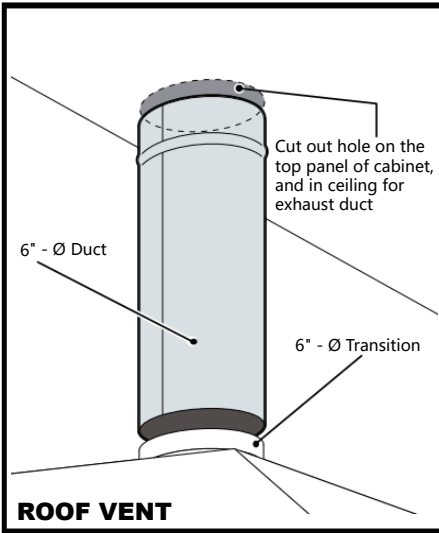
CAUTION: Make certain the range hood is secure before releasing!

3. Installation Instructions

Round Transition (continued)



Distance from wall to transition circumference edge for 6" - Ø Transition will be 1½". Use aluminum foil tape to make all joints secure and air tight.



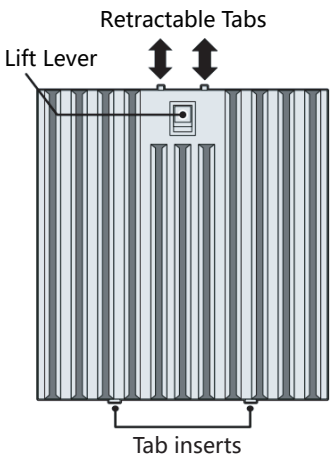
Use 6" round steel pipe to connect the exhaust on the hood to the ductwork above. Use aluminum foil tape to make all joints secure and air tight.

Ensure the cylinder duct passes through, leading to the roof cut out for exhaust connecting duct.

3. Installation Instructions

INSTALLATION(FILTERS)

BOTTOM VIEW

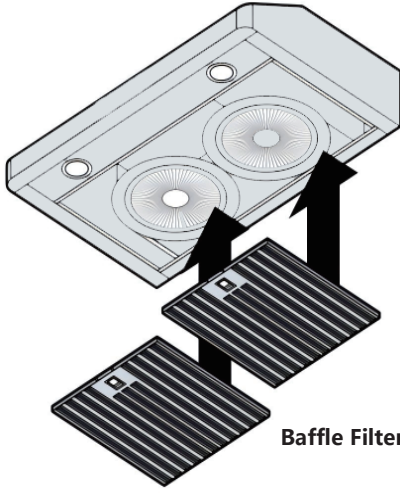


Retractable Tabs

Lift Lever

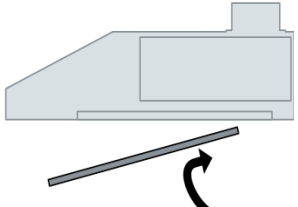
Tab inserts

*****Before installing, remove Protective white film*****

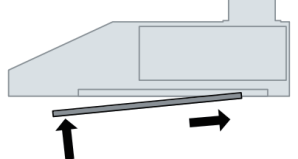


Baffle Filters

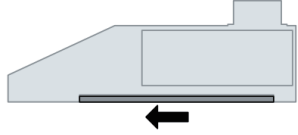
SIDE VIEW



Angle filter and direct tab inserts toward the aft slot of the range hood opening.



While continuing to install the filter, ensure you lift the lever for the retractable tabs to clear way for flush insertion.

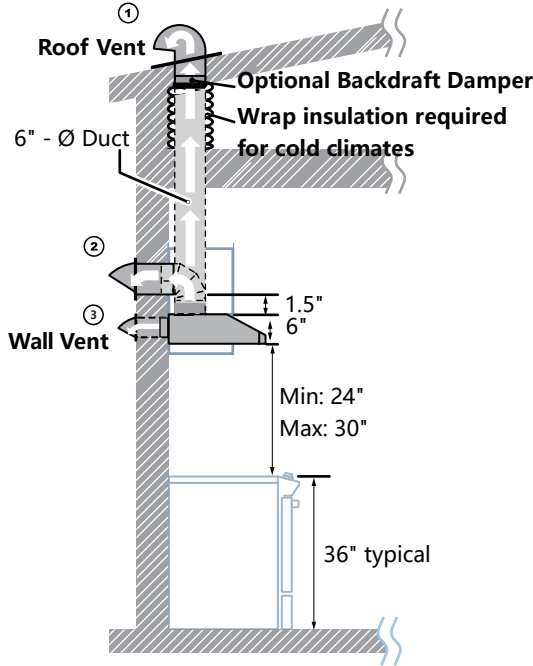


When filter sits flush within the opening, release the lever to lock in place.

3. Installation Instructions

3.4 Venting Methods

- This range hood is factory set for venting through the roof or wall.
- Duct work can terminate either through the roof or wall. To vent through a wall, a 90° elbow is needed.



NOTE: Exceeding the recommended height from the stove to the range hood will result in reduced suction.

IMPORTANT:

- NEVER exhaust air or terminate duct work into spaces between walls, crawl spaces, ceiling, attics or garages. All exhaust must be vented to the outside.
- Use metal/aluminum duct work only.
- Fasten all connections with sheet metals screws and tape all joints with certified Aluminum Tape.
- Use caulking to seal exterior wall or roof opening around the cap.
- Colder climates require wrapping insulation around the ducts and optional blowers.
- The system must have a Backdraft Damper.

4. Operating Instructions

4.1 For G Series Models (C01-G)



K1: Lighting

K3: Fan Speed

KG1, KG2: Gesture Sensing Point

K2: Delay Shut-Off

K4: Power

Note: When the power supply connected, all indicate lighting is On and then Off in 1 s.

4.1.1 Touch Control

Fan Control

- Press **K4** to power on the range hood.
- Then press **K3** to start at fan speed 1. Press **K3** again to increase the speed.
(Fan speed cycles: 1 → 2 → 3 → 4 → 0 → 1 → 2 → 3 → 4)

Light Control

- Press **K1** to turn the light on/off. (The light can be controlled independently, without turning on the hood.)
- When the light is on, press and hold **K1** to adjust the brightness.

Delay Shut-Off

- While the fan is running, press **K2** to activate the delay shut-off timer (default: 3 minutes).
- When the display starts flashing, press **K3** to adjust the countdown time (1–15 minutes).

4.1.2 Gesture Control

Fan Control

- You can turn on the fan by waving your hand when the hood is off.
 - Wave left to right to increase fan speed.
 - Wave right to left to decrease fan speed.
- (Fan speed cycles: 1 <—> 2 <—> 3 <—> 4 <—> 0 <—> 1 <—> 2 <—> 3 <—> 4)

Note: Your hand must pass quickly across both gesture sensors (**KG1** and **KG2**) for the motion to be recognized.

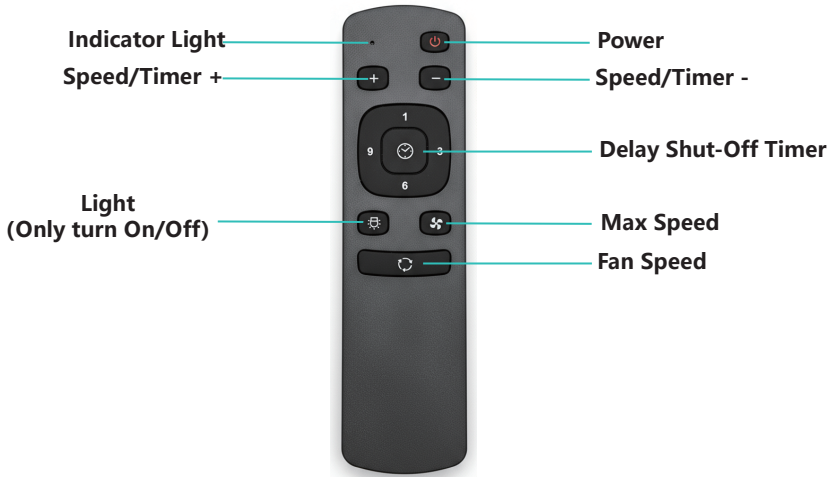
Light Control

- When waving from left to right, the light will turn on (not from right to left).

Enable/Disable Gesture Control

- When the hood is powered off, press and hold the **K2** button for 3 seconds to enable/disable the gesture function (the screen will prompt ON/OFF).

4. Operating Instructions



4.1.3 Remote Control

Indicator Light

- The indicator flashes when the remote is sending a command.

Fan Control

- Press **Power Button** to power on the range hood.
- Press **Speed/Timer + Button** to increase the speed.
- Press **Speed/Timer - Button** to decrease the speed.
- Press **Max Speed Button** to set the fan to speed 4.
- Press **Fan Speed Button** to start at fan speed 1. Press **Fan Speed Button** again to increase the speed.

(Fan speed cycles: 1 <—> 2 <—> 3 <—> 4 <—> 0 <—> 1 <—> 2 <—> 3 <—> 4)

Light Control

- Press **Light Button** to turn the light on/off. (The light can be controlled independently, without turning on the hood.)

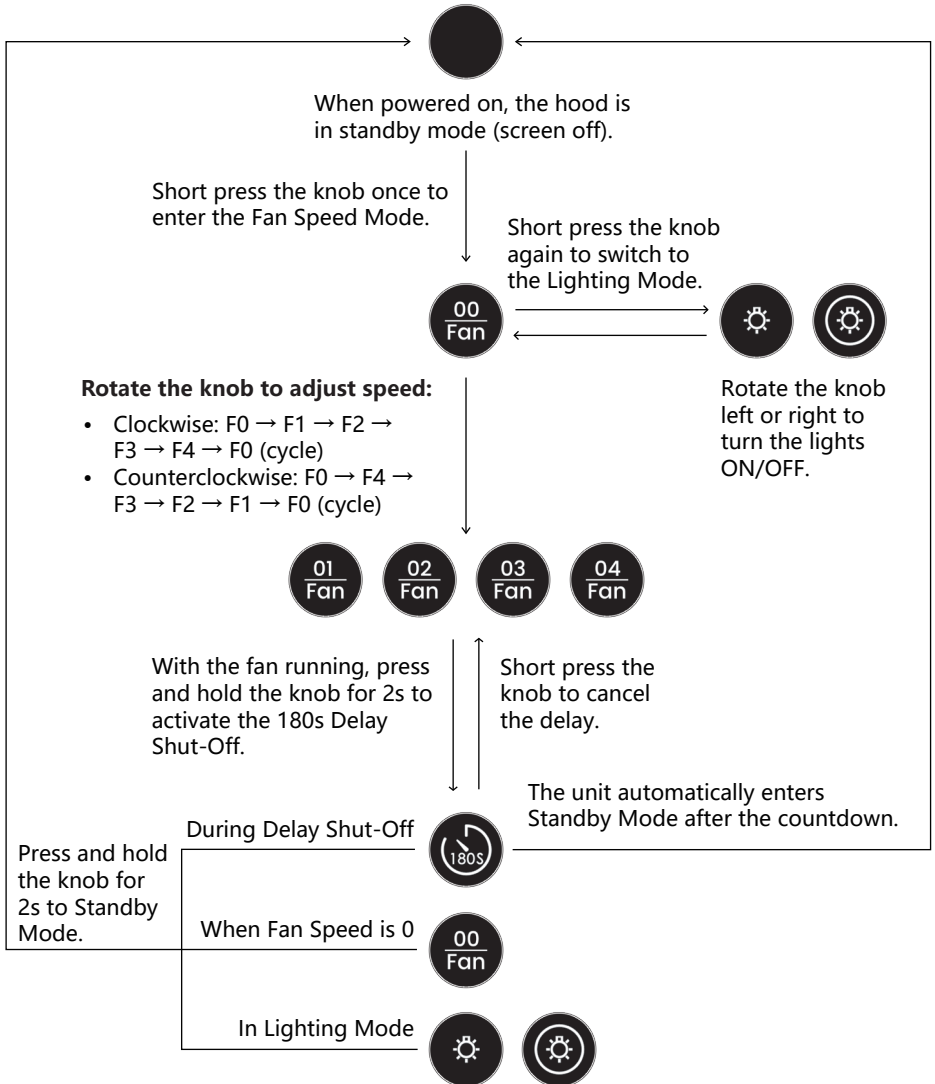
Delay Shut-Off

- While the fan is running, Press **Delay Shut-Off Timer Button** to activate the delay shut-off timer (default: 3 minutes).
- Press **Delay Shut-Off Timer Number Button** to set the delay time (in minutes).
- When the display starts flashing, press **Speed/Timer + Button** or **Speed/Timer - Button** to adjust the countdown time (1–15 minutes).

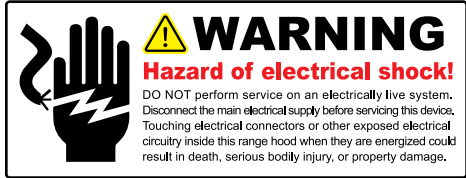
4. Operating Instructions

4.2 For K Series Models (C01-K)

| Standby Mode | Fan Speed Mode | Lighting Mode | Delay Shut-Off Mode |
|--------------|----------------|---------------|---------------------|
| | | | |



5. Cleaning & Maintenance



5.1 Filter Cleaning/Replacement

Operations:

- Read and understand all instructions and warnings in this manual before operating the appliance. Save these instructions for future reference.
- Always leave safety grills and filters in place. Without these components, operating blowers could catch on to hair, fingers and loose clothing.
- Never dispose of cigarette ashes, flammable substances or any foreign objects into blowers.
- Never leave cooking unattended. When frying, oil in the pan can easily overheat and catch fire. The risk of self combustion is higher when the oil has been used several times.
- Never cook on "open" flames under the range hood. Check deep-fryers during use: Superheated oil may be flammable.
- The saturation of greasy residue in the blower and filters may cause increased inflammability. Keep unit clean and free of grease and residue build-up at all times to prevent possible fires.
- Filters must be cleaned periodically and free from accumulation of cooking residue. Old and worn filters must be replaced immediately.
- DO NOT operate blowers when filters are removed. Never disassemble parts to clean without proper instructions. Disassembly is recommended to be performed by qualified personnel only. Read and understand all instructions and warnings in this manual before proceeding.
- SAFETY WARNING: Never put your hand into area housing the fan while the fan is operating!

5.2 Cleaning Exterior surfaces:

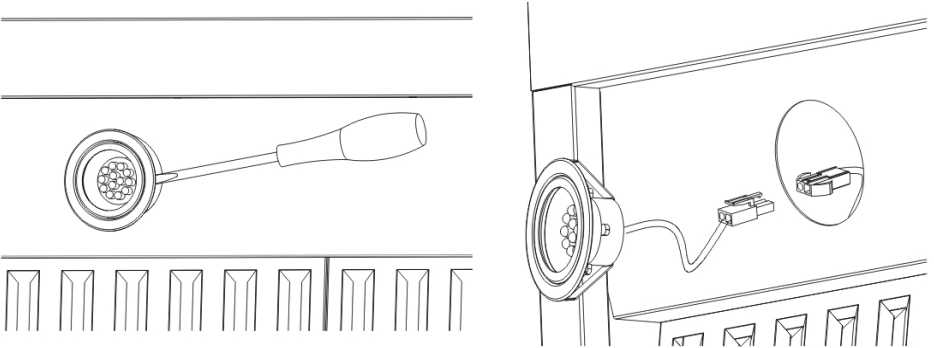
- Clean periodically with stainless steel cleaner and clean cotton cloth. Do not use corrosive or abrasive detergent (e.g. Comet Power Scrub®, EZ-Off® oven cleaner), or steel wool/scoring pads, which will scratch and damage the stainless steel surface. For heavier oil use liquid degreaser such as "Formula 409®" or "Fantastic®" brand cleaner.
- If the hood looks plothchy (stainless steel hood), use a stainless steel cleaner to clean the surface of the hood. Avoid getting cleaning solution onto or into the control panel. Follow directions of the stainless steel cleaner. CAUTION: Do not leave on too long as this may cause damage to the hood finish. Use a soft towel to wipe off the cleaning solution, gently rub off any stubborn spots. Use a dry soft towel to dry the hood.

5. Cleaning & Maintenance

- After cleaning, you may use non abrasive stainless steel polish such as 3M® or ZEP®, to polish and buff out the stainless luster and grain. Always scrub lightly, with clean cotton cloth, and with the grain.
- DO NOT allow deposits to accumulate or remain on the hood.
- DO NOT use ordinary steel wool or steel brushes. Small bits of steel may adhere to the surface and cause rusting.
- DO NOT allow salt solutions, disinfectants, bleaches, or cleaning compounds to remain in contact with stainless steel for extended periods. Many of these compounds contain chemicals.

5.3 Replacing the LED Lights:

- This range hood uses LED light: 3W 12V.
- Make sure the range hood is unplugged or turn OFF breaker.
 1. Gently pull defective LED light straight out and discard.
 2. Connect the LED light wires.
- Turn ON breaker and range hood to test for operation.



WARNING

LED Light can become extremely hot when turned on. DO NOT touch light until switched off and cooled. Touching hot lights could cause serious burns.

6. Troubleshooting

| Issue | Possible Cause | Solution |
|---|---|--|
| After Installation. Both motors and lights are not working. | The power is not on. | Make sure the circuit breaker and the unit's power is ON. Use a voltage meter to check the power supply. |
| | The wire connection is not secure. | Check and tighten wire connection. |
| | The control switch is defective. | Replace the control switch. |
| Lights are working, but motor(s) is not. | The motor(s) is defective. | Replace the motor. |
| | The capacitor(s) is defective | Replace capacitor(s). |
| | The control switch is defective. | Replace the control switch. |
| The range hood is vibrating. | The blower system is not secure. | Tighten the turbine impeller/squirrel cage and air chamber. |
| | The turbine impeller/squirrel cage is not balanced. | Replace the turbine impeller/squirrel cage. |
| | Hood is not secured in place. | Check the installation of hood, tighten the mounting bracket. |
| The motor is working. But the lights are not working. | LED light fixture(s) is defective. | Replace LED light fixture(s). |
| | The light wiring(s) is loose. | Check wire continuity from Control Switch to LED Driver to LED light fixture(s). |
| | The control switch or LED light driver is defective. | Replace the control switch or LED light driver. |
| The range hood is not venting out correctly. | The range hood is installed outside of the manufacture's recommended clearance. | Adjust the clearance between the rangehoods and cooktop to 24" to 30". For Island range hood, the clearance between the range hoods and cooktop is 30" to 36". |
| | There is no make up air inside the house. | Open the window to enhance the performance of the range hood by creating a sufficient make up air. |
| | Obstacle blocking the pipe work. | Remove all obstacles from the duct work. |
| | The pipe size is smaller than the suggested pipe size. | Change the ducting according to the manufacture's suggestion. |
| Cold air is coming into the home. | The pipe connection is not properly sealed. | Check the pipe installation. |
| | The damper is not properly installed or is missing from the installation. | Check the damper installation. |
| | The damper is not installed. | Installing the damper will help eliminate air backflow. |

7. Frequently Asked Questions

- **Can my hood be ductless?**

No, It must be duct your range hood to the outside.

- **Is the width of my range hoods description, the actual size?**

No — the actual width of the range hood will be slightly less than the generic description of the range hood in order to better fit cabinet cutouts.

- **Why is my range hood white/blue?**

This is a protective layer that is placed on all range hoods to prevent shipping damage.

- **How do I clean my baffle filters and how often?**

Your baffle filters should be washed with hot water and soap once per month or placed in a dishwasher for cleaning. Make sure filters are completely dry before reinstalling.

- **Can I turn off gesture control? (Only For G Series)**

Yes, When the hood is powered off, press and hold the Timer Key for 3 seconds to enable/disable the gesture function (the screen will prompt ON/OFF).

8. Warranty & Customer Support

TO OBTAIN SERVICE UNDER WARRANTY:

You must present proof of original purchase date.

Please provide an original dated proof of purchase (sales receipt / invoice) in order to obtain service under warranty.

Spare Parts Warranty:

- 5 Years warranty for LED lights and switch control.
- 10 Years warranty for motor and blowers.
- If any problem, please kindly send E-mail to us with your proof of purchase.

E-mail to Amazon: rangehoodservice06@163.com

Others: rangehoodservice10@163.com

Who is Covered:

This warranty is extended to the original purchaser for products purchased for ordinary home use.

This Warranty Will Be Voided When:

Product is damaged through negligence, improper installation, accident, abuse, misuse, natural disaster, insufficient or excessive electrical supply, abnormal mechanical or environmental conditions, or any unauthorized disassembly, repair, modification, or failure to follow installation instructions. When product is used commercially or other than its intended purpose. Damaged because of improper connection with equipment of other manufacturers. Repairs or modifications by anyone other than our company. This limited warranty also does not apply to any product on which the original identification information has been altered, obliterated or removed, has not been handled or packaged correctly or has been sold as second-hand.

What is Not Covered:

This warranty is valid in Canada and the United States. This warranty is non-transferable and applies only to the original purchaser and not to subsequent owners of the product. Any applicable implied warranties, including the warranty of merchantability, are limited in duration to the express warranty period set forth herein, commencing on the date of original purchase, after which no express or implied warranties apply to this product. To obtain warranty service, you may contact us. Before contacting us, please review our policy terms. Generally, you will be required to provide product identification information, such as the model number/name and a detailed description of the problem you are experiencing. You will also be required to provide proof of the original purchase date to verify that the product is a genuine range hood within the applicable warranty period. The information in this document is subject to change without notice, please contact us for updated details.