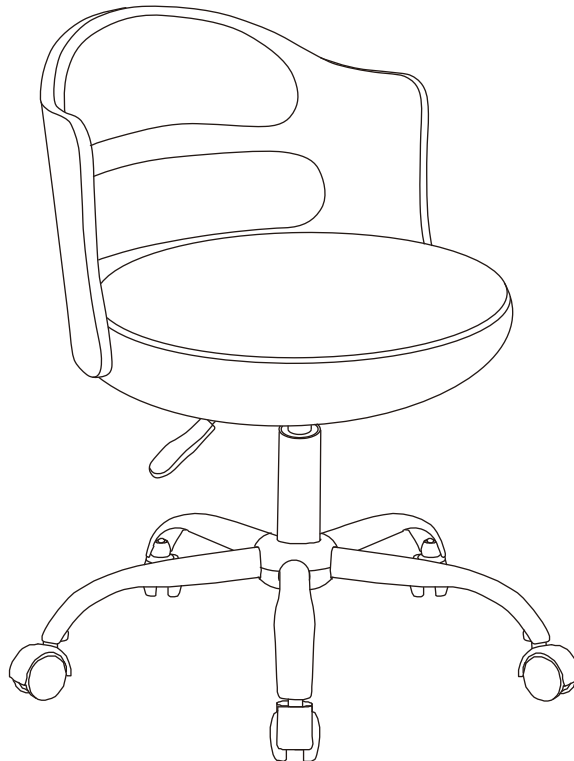


ASSEMBLY INSTRUCTIONS



Thank you for your purchase

⚠ Pls check all parts are included before assembly !

Pls follow these steps in order:

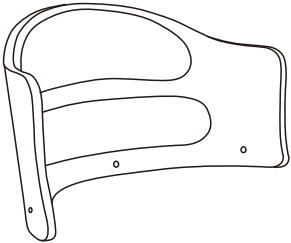
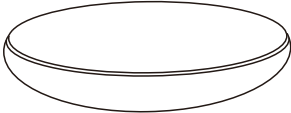
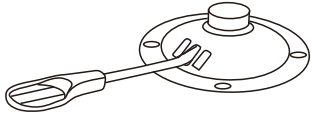
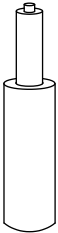

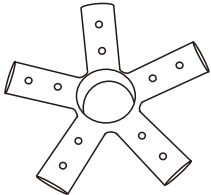
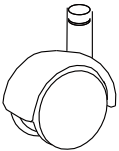
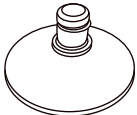
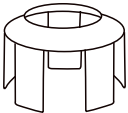
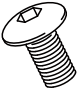
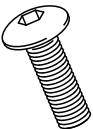
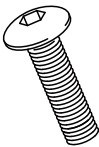

1) Base and wheels first, Backrest and seat next.

⚠ 2) **Only insert the gas lift when satisfied with the chair and sure you want to keep it.**

★Note that once the gas lift is in, it may be difficult to disassemble and fit its original packaging, which may restrict the possibility of returns.★

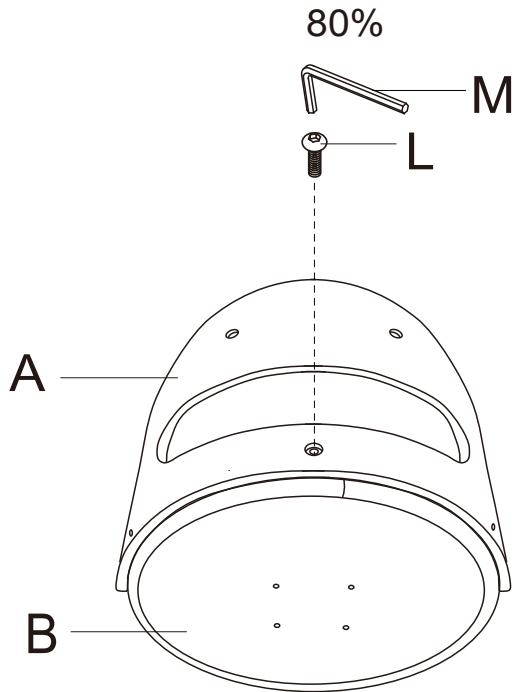
After-Sales Service: For any questions or issues, feel free to contact us via the purchasing platform. Customer Service team will work hard to put a smile back on your face.
Thank you for your cooperation and stay safe~

Parts List

<p>Ax1</p> 	<p>Bx1</p> 	<p>Cx1</p> 	
<p>Dx1</p> <p>⚠️⚠️⚠️ Final assembly!</p> 	<p>Ex5</p> 	<p>Fx1</p> 	
<p>Gx5</p> 	<p>Hx5</p> 	<p>Ix1</p> 	
<p>J x10+1</p>  <p>M6*12mm</p>	<p>Kx4+1</p>  <p>M6*20mm</p>	<p>Lx3+1</p>  <p>M6*25mm</p>	<p>Mx1</p> 

Installation Steps

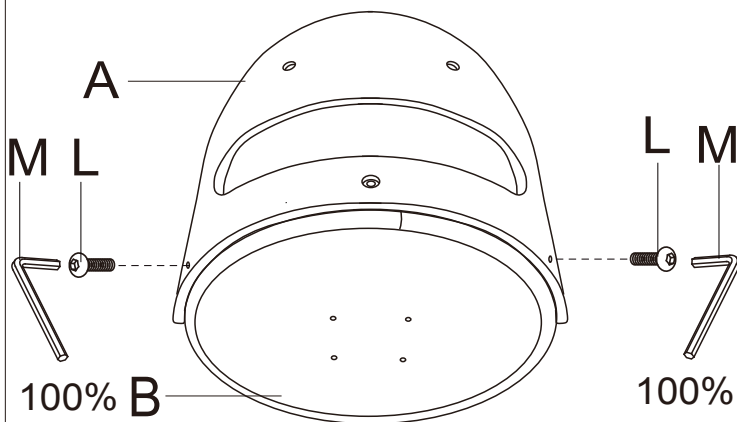
1



Warning!!!
Don't tighten all screws until the step 2 is complete.

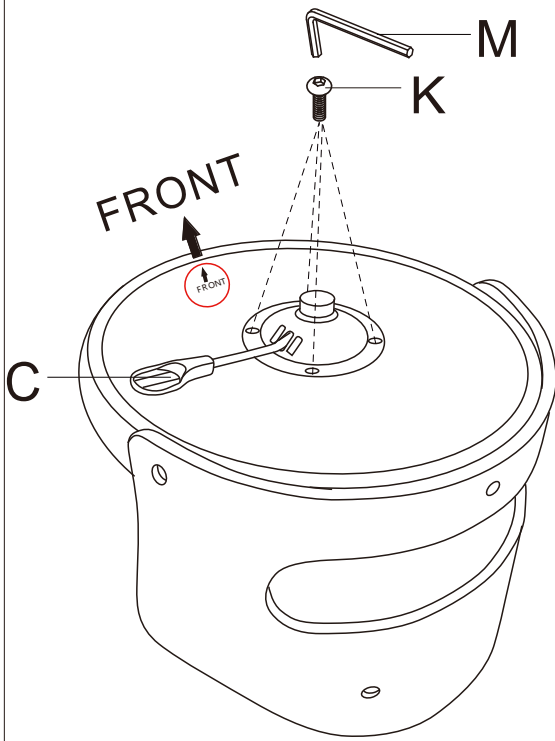
Attach the backrest(A) to the seat (B) with screws(L).Don't screw 100% until all of them are right in the holes so that you can adjust slightly during the process of assembly.

2



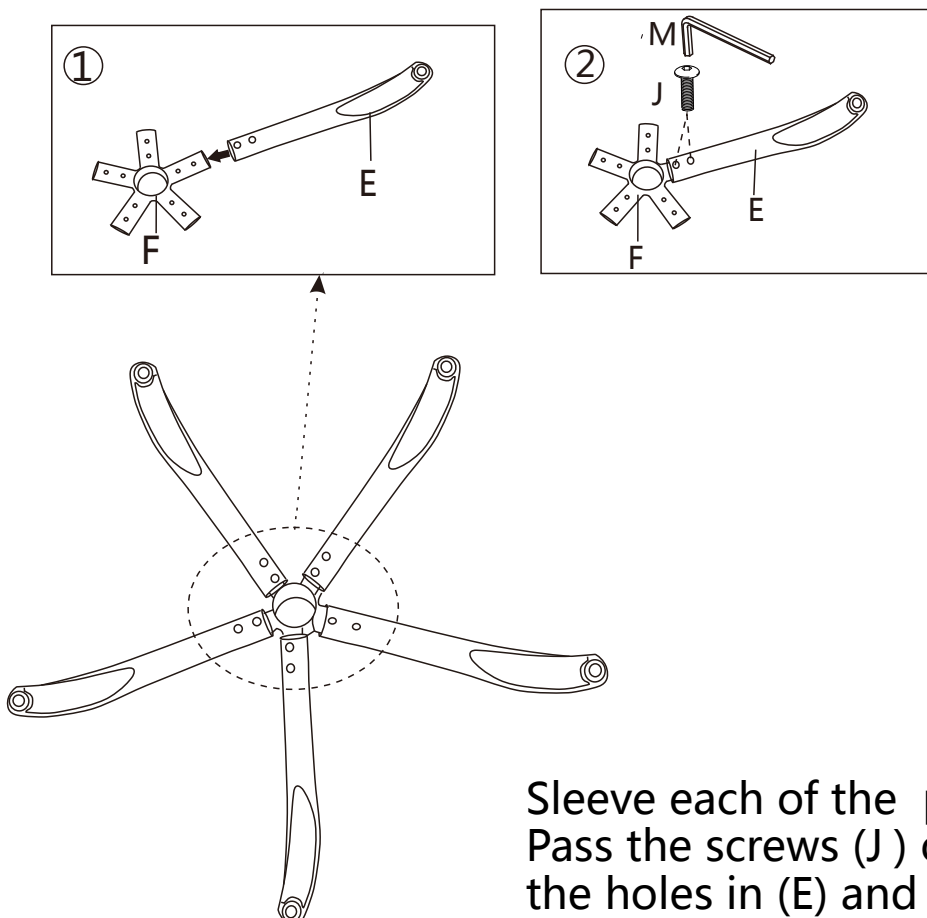
Tighten all screws.

3



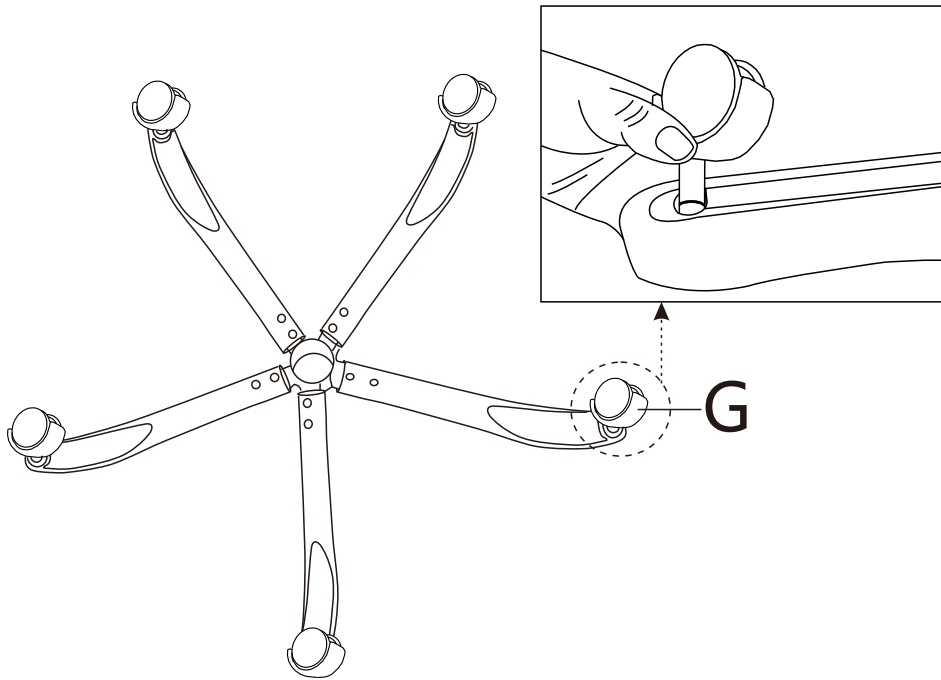
Attach mechanism (C) to the seat (B) with screws (K) . Don't screw 100% until all of them are right in the holes so that you can adjust slightly during the process of assembly.

4



Sleeve each of the parts (E) into part F. Pass the screws (J) one by one through the holes in (E) and (F) and tighten them with allen key (M).

5.



Press the casters (G) into the holes at the end of each leg of the base.

6

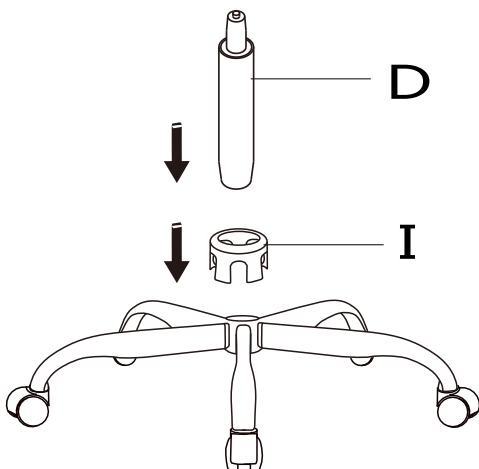
⚠⚠⚠ **Note: Returns will be difficult after this step!**

Check Satisfaction: Ensure you like the base, seat, materials, and color.

Confirm Decision: Confirm you want to keep it.

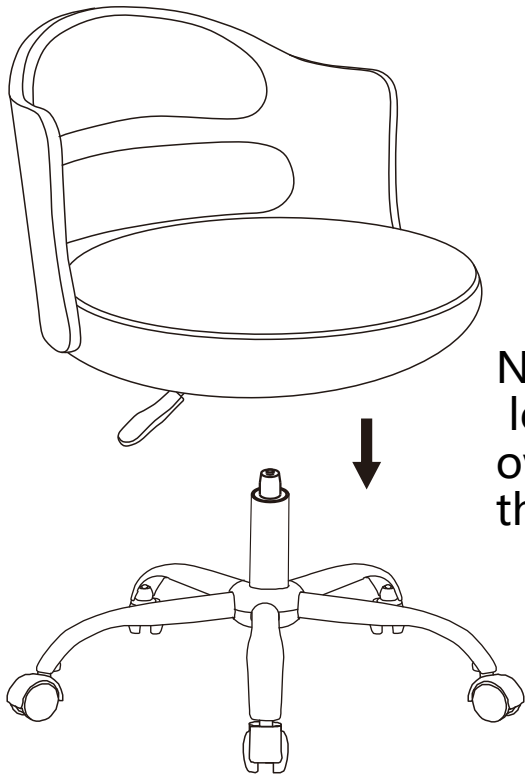
Insert Gas Lift: Proceed to insert the gas lift.

(as the gas lift is hard to remove and stops fitting into its original box, which means it will not be eligible for shipment.) !!!



Put in the decorative cover (I), insert the gas lift (D) into the center hole of the Star Base.

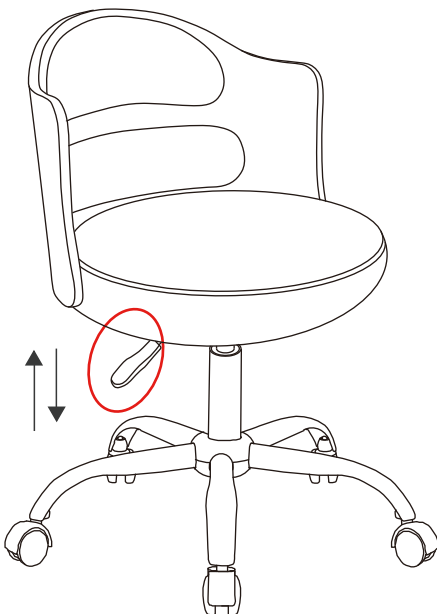
7



Now turn the assembled seat upright and locate the center hole of the mechanism over the gas lift. Push down firmly until the connection is secure.

8

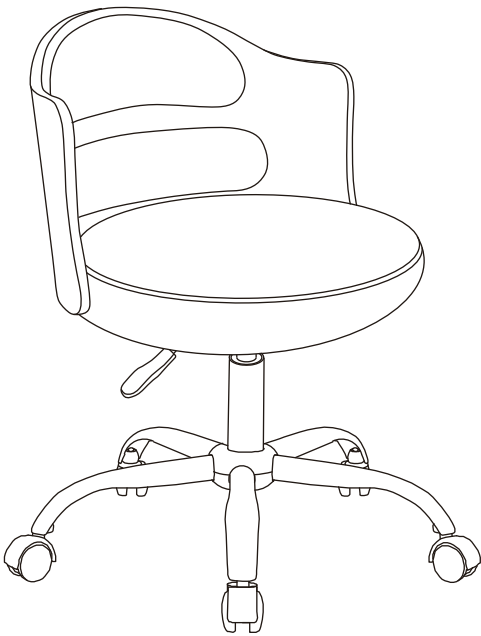
Seat Height: Paddle-shaped lever on the right side.



↑ *To raise while taking your weight off chair , lift lever up.*

↓ *To lower while seated, lift the handle upwards without releasing, and your body weight will gradually lower the chair.*

9 Assembly completed.



☆ A warm reminder to our honored client:

If there is any part arrived damaged or defective, or any queries during the assembly, please feel free to contact the seller.

We are happy to work out the satisfied solution for you. Pictures if you could provide to us would be highly appreciated.

Hope this lovely home office desk chair could be a durable addition and convenience to your warm space!

10

If you don't want the chair to move freely, unplug (G) and plug in (H) to make it happen.

