

IMPORTANT CAUTION

- Please check all parts and components to ensure that there are no damages or missing items before starting the construction of the product.
- When using power tools, please adjust the gear to the minimum, otherwise it will cause damage to the parts.
- For your safety and to reduce the risk of severe personal injury, the user must read and understand this Safety Guide.
- Assemble each piece only following the instructions improper assembly and/or use of tools or hardware not included in the original packing may lead to improper assembly and/or risk of severe personal injury.
- Please assemble the furniture on a flat level surface with a pad/blanket to prevent damage.
- Please assemble step by step and follow the instructions.
- Washers must be used.
- Do not completely fasten each screw and nut until all the screws are properly.
- The cushion needs to be restored to 90% within 24 hours of unpacking, and to 100% after 48 hours.

CARE & CLEANING

- For best results, clean the rattan and cushions with a damp cloth and dry thoroughly. This will help prevent mildew by removing dirt particles that may accumulate.
- Do not clean with abrasive materials, bleach, or solvents.
- Store the set in a dry, sheltered place when not in use.
- Keep the set out of the fire, extreme heat, freezing conditions, and inclement weather such as rain, hail, snow, or wind. PLEASE NOTE that the Hand-Woven Rattan may age due to weather conditions.
- Stains on the fabric can be cleaned with 37°C low-temperature water, with neutral liquid soap, and brush gently. After washing the stains, just dry naturally, do not twist, so as to avoid fabric deformation, and do not use high temperature ironing, so as to avoid high temperature discoloration.

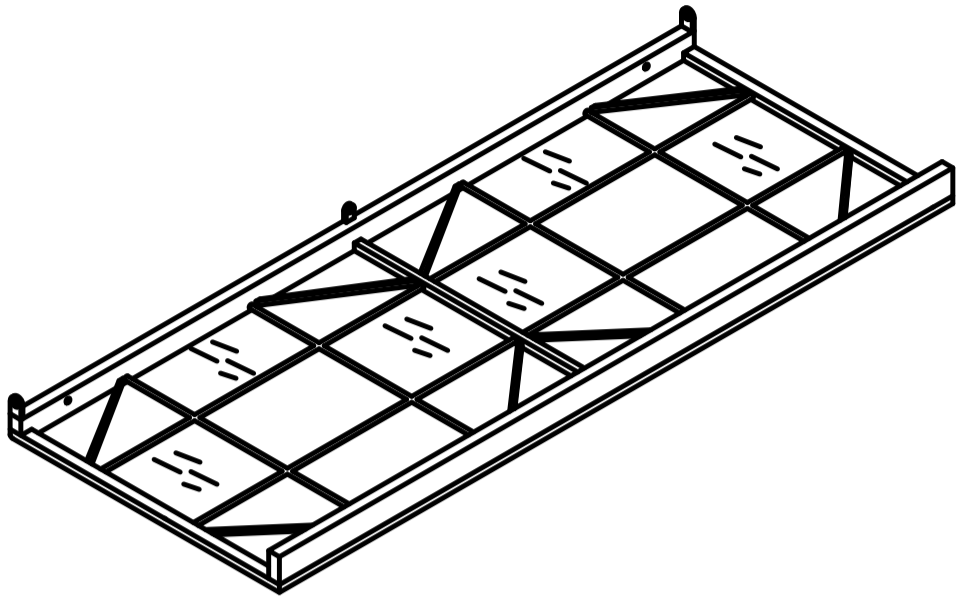
ASSEMBLY SUGGESTIONS

- At least two people

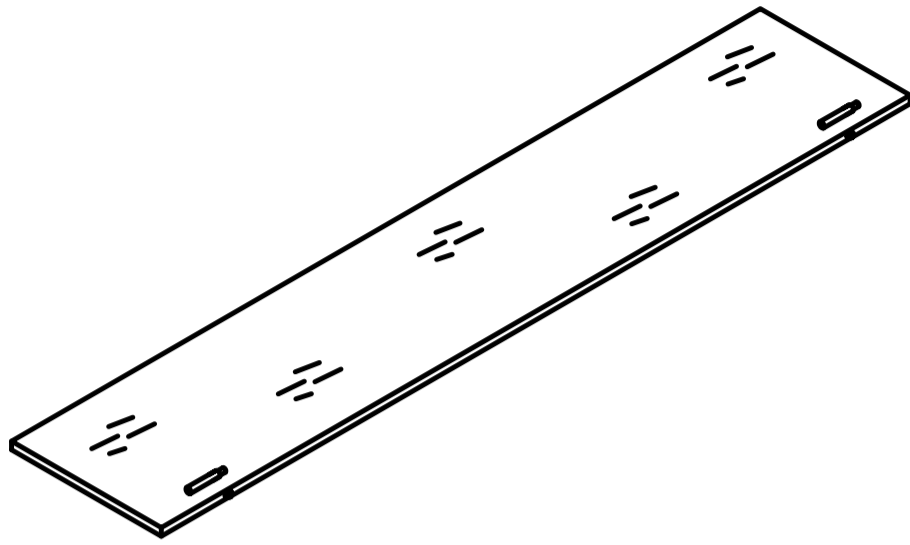


Accessories list

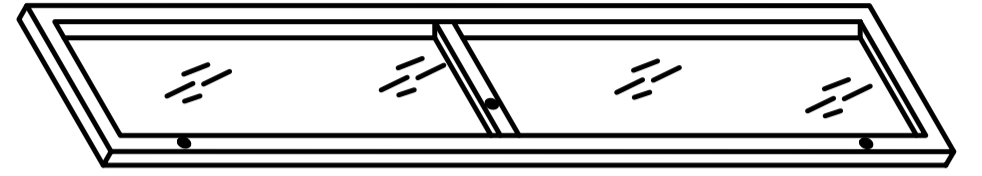
①



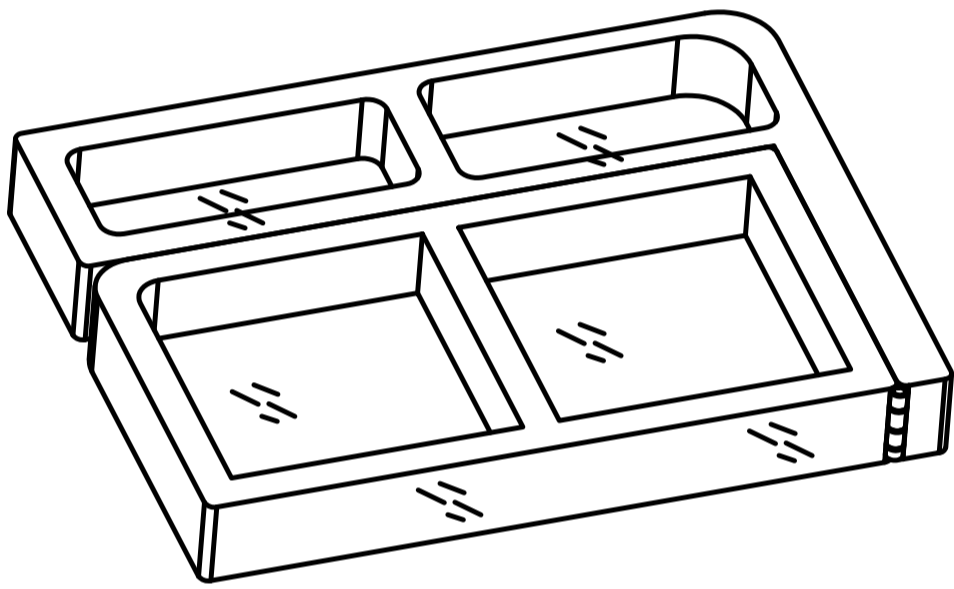
②



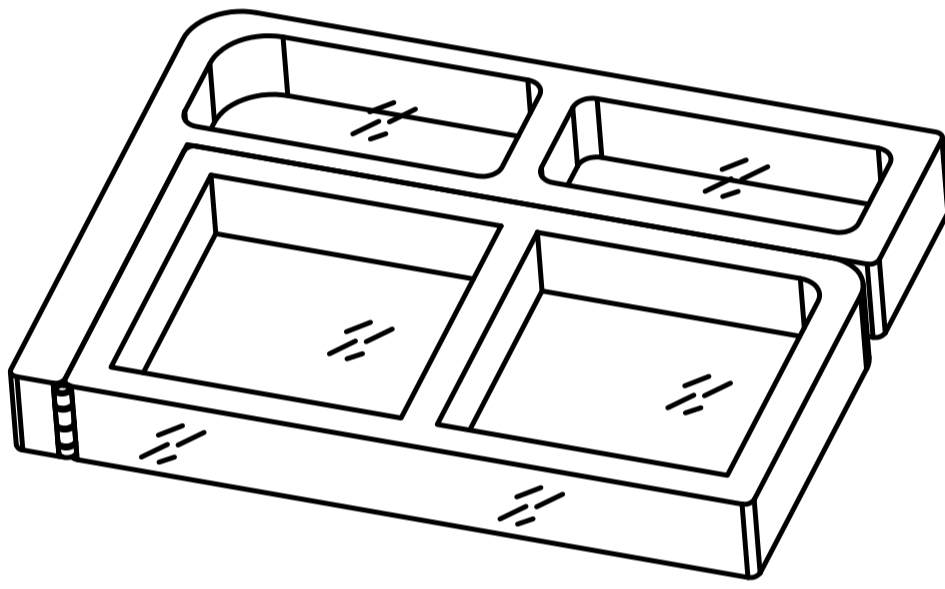
③



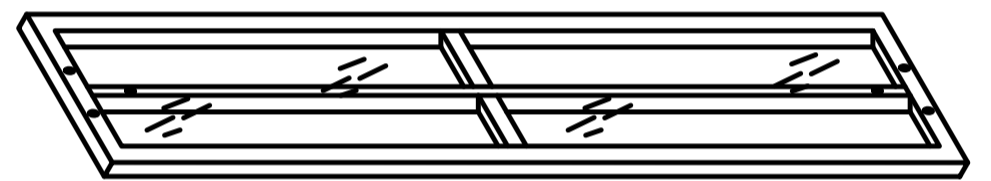
④



⑤



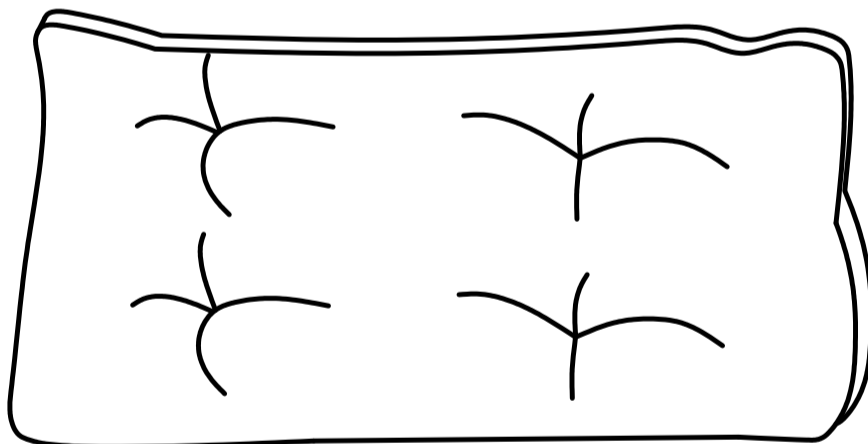
⑥



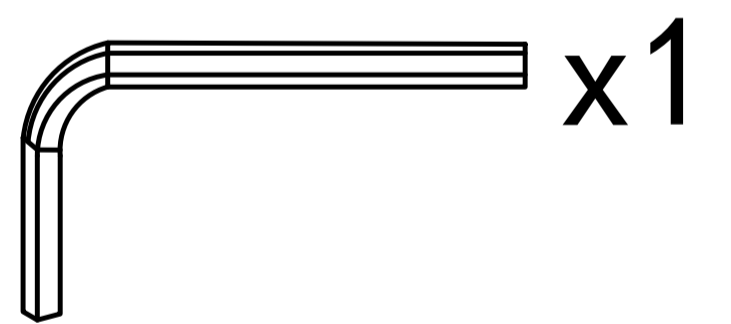
⑦



⑧

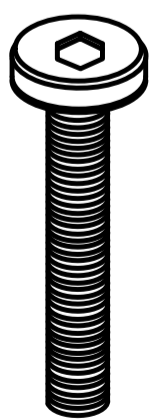


x2



x1

Ⓐ



35MM

x11

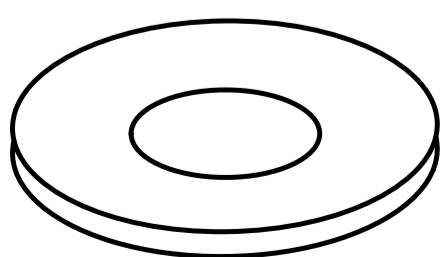
Ⓑ



20MM

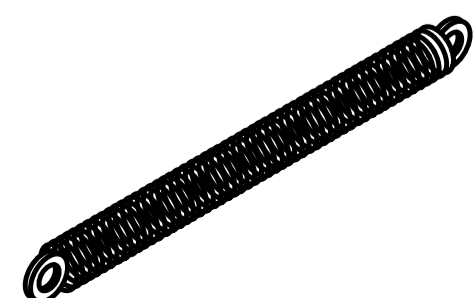
x6

Ⓒ



x15

Ⓓ

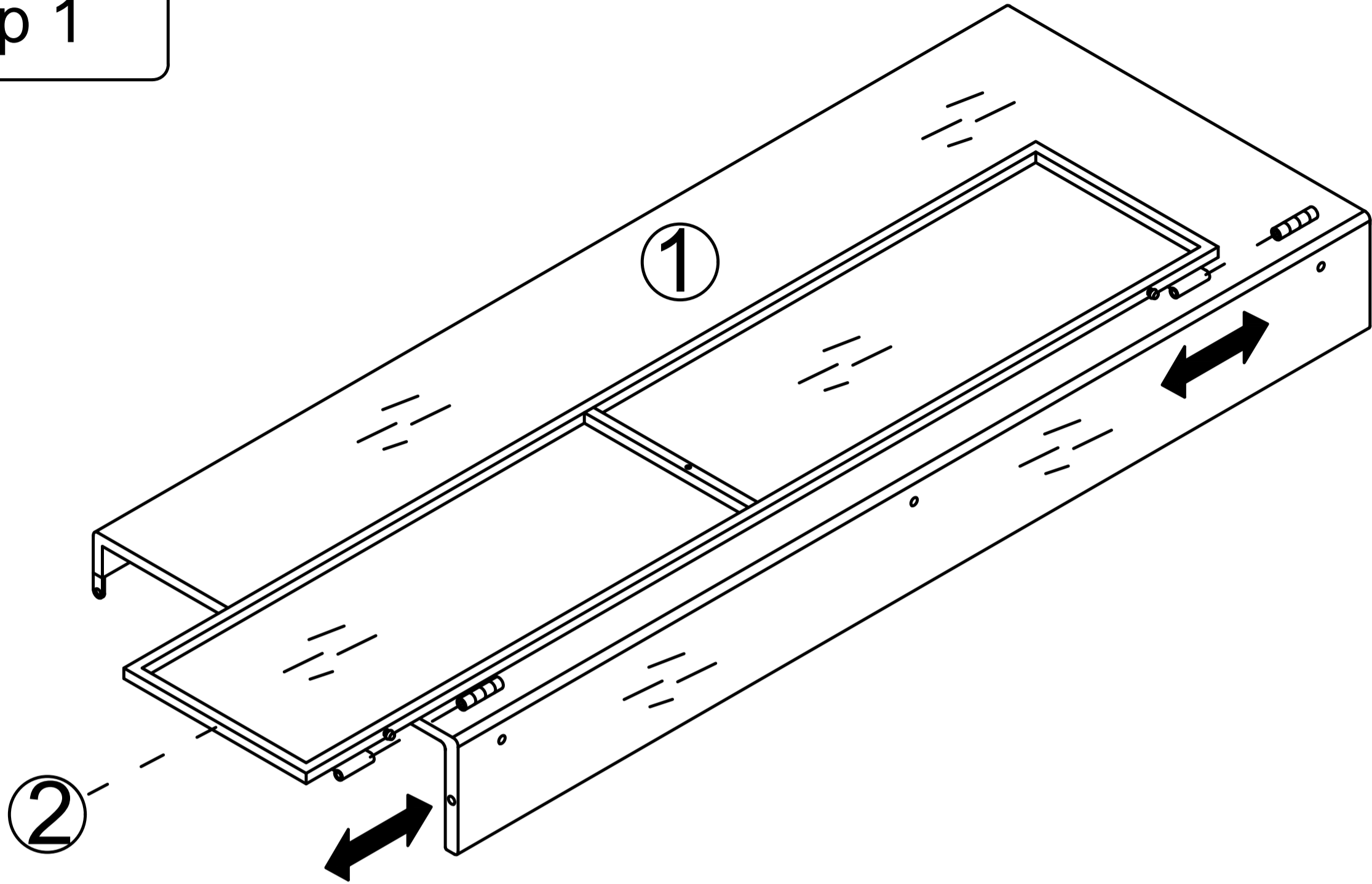


x1

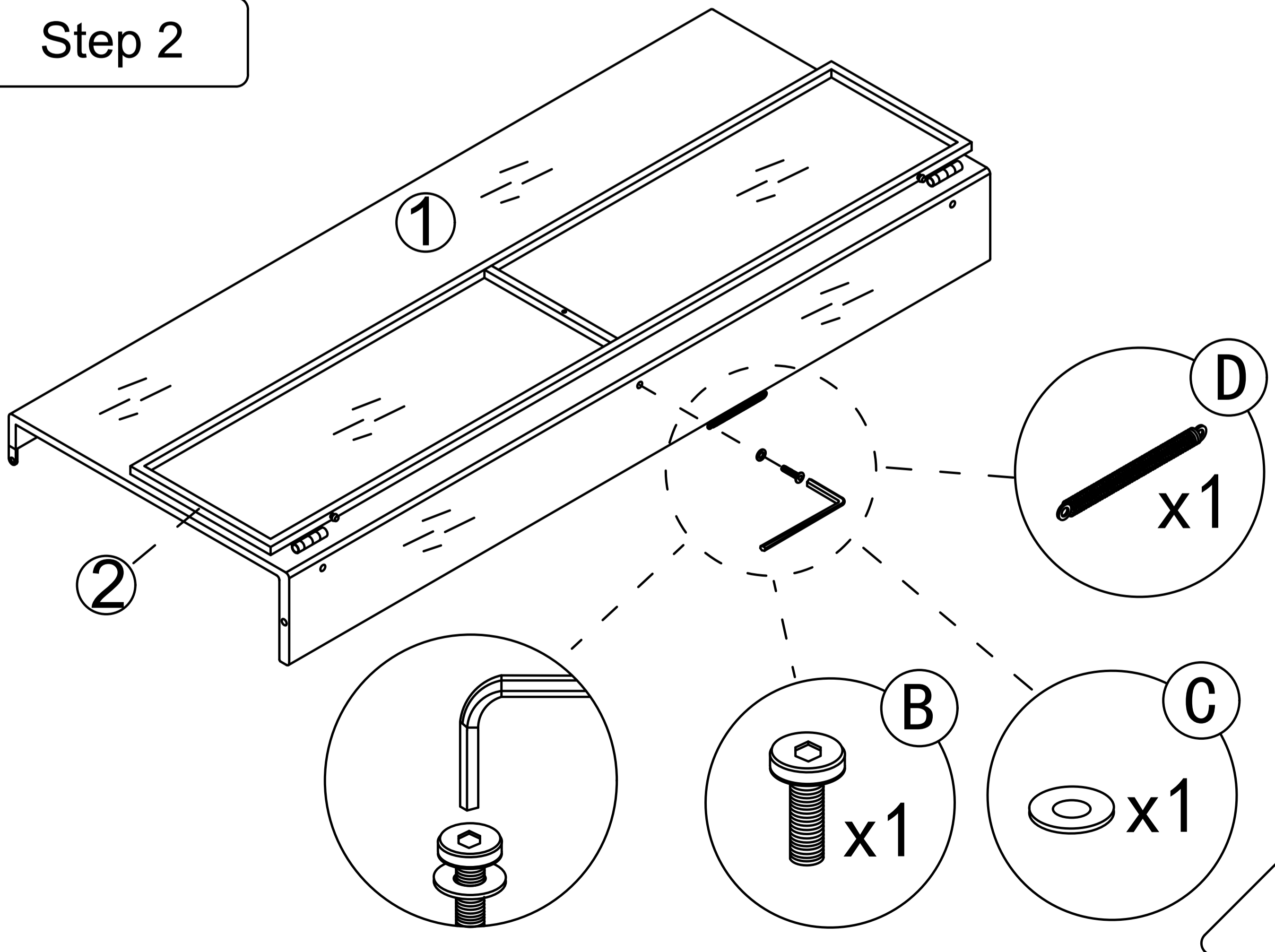
Special Instructions:

- 1: First, fix the threaded rod. After all the steps are installed, tighten all the screws.
- 2: The cushion needs to be restored to 90% within 24 hours of unpacking, and to 100% after 48 hours.

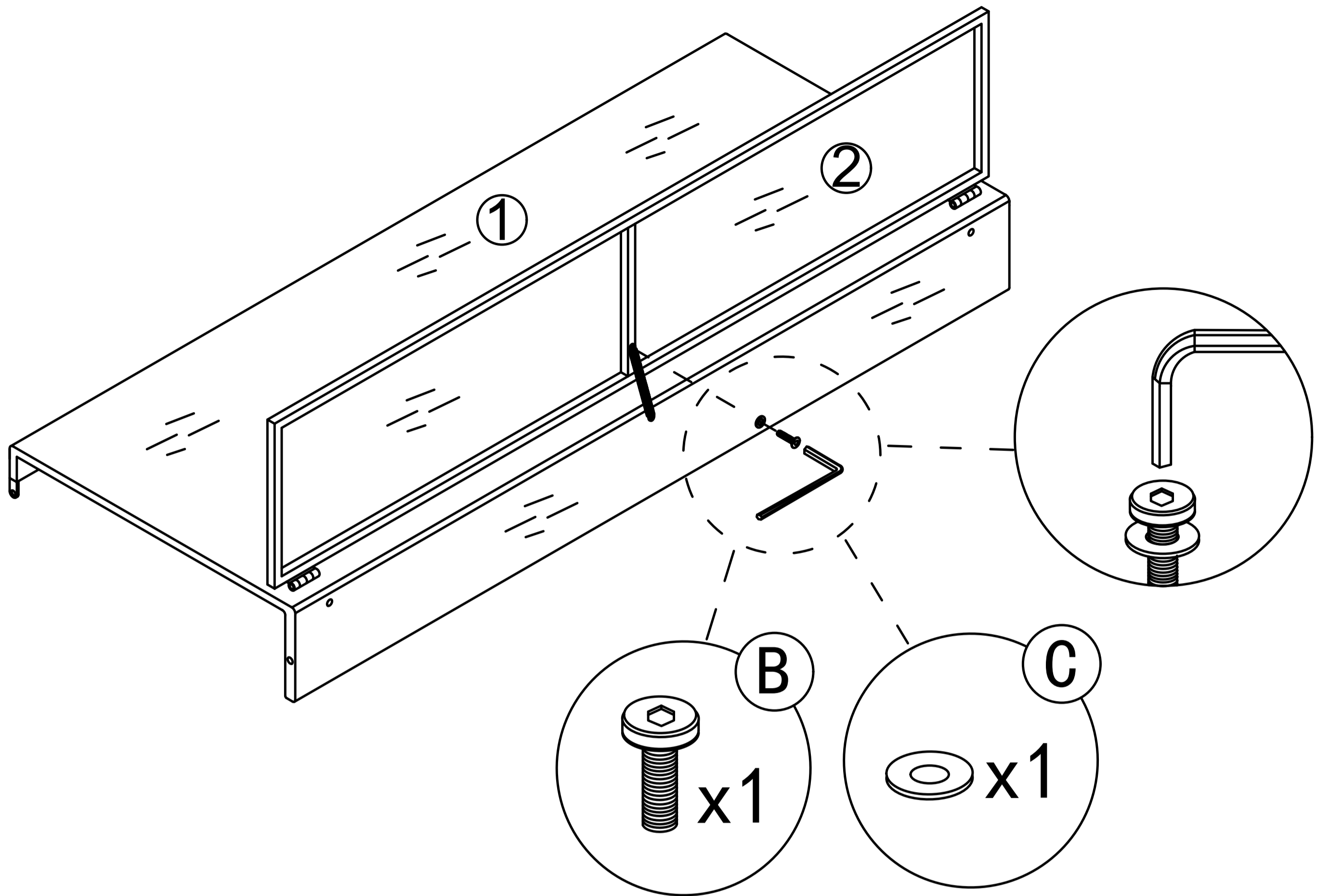
Step 1



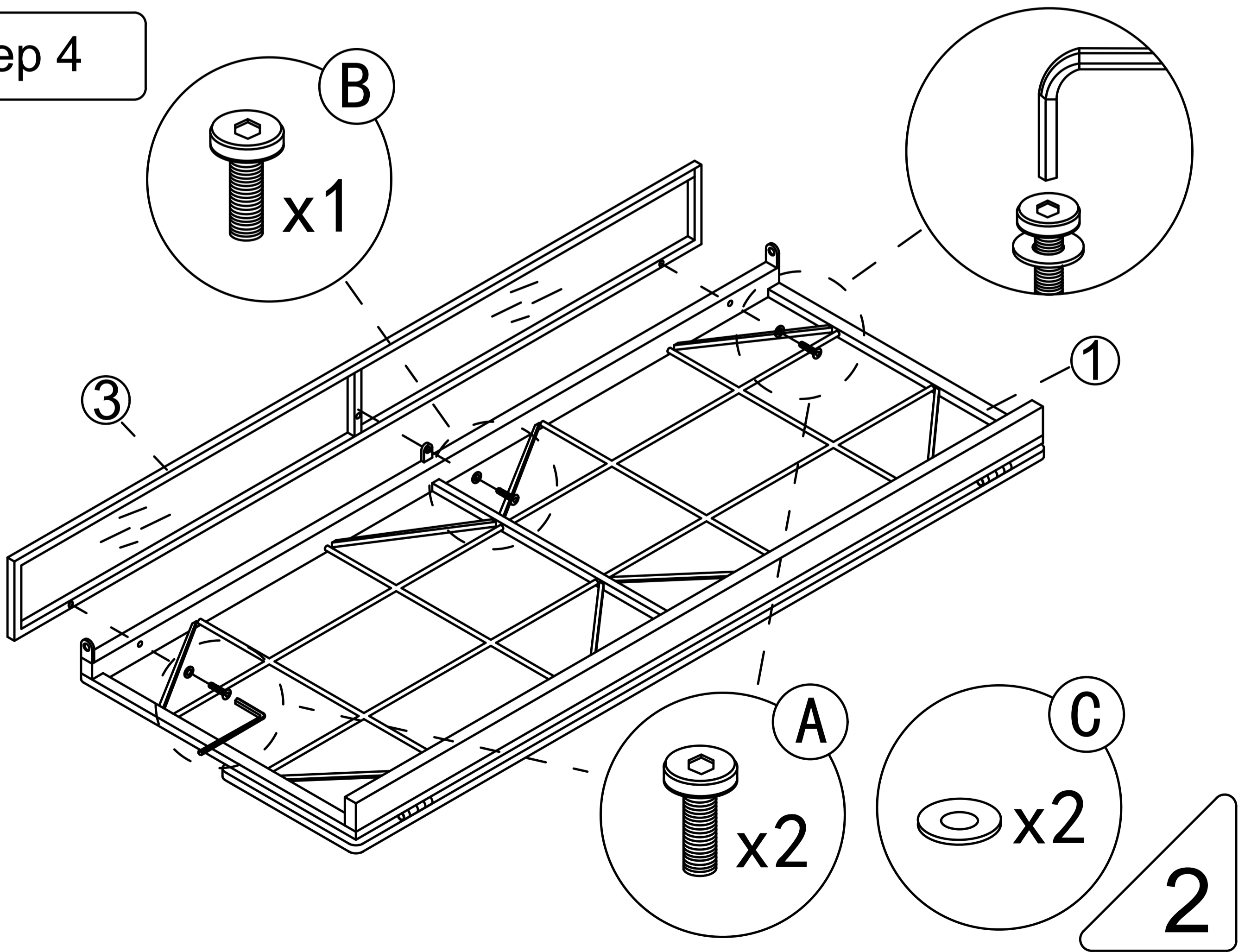
Step 2



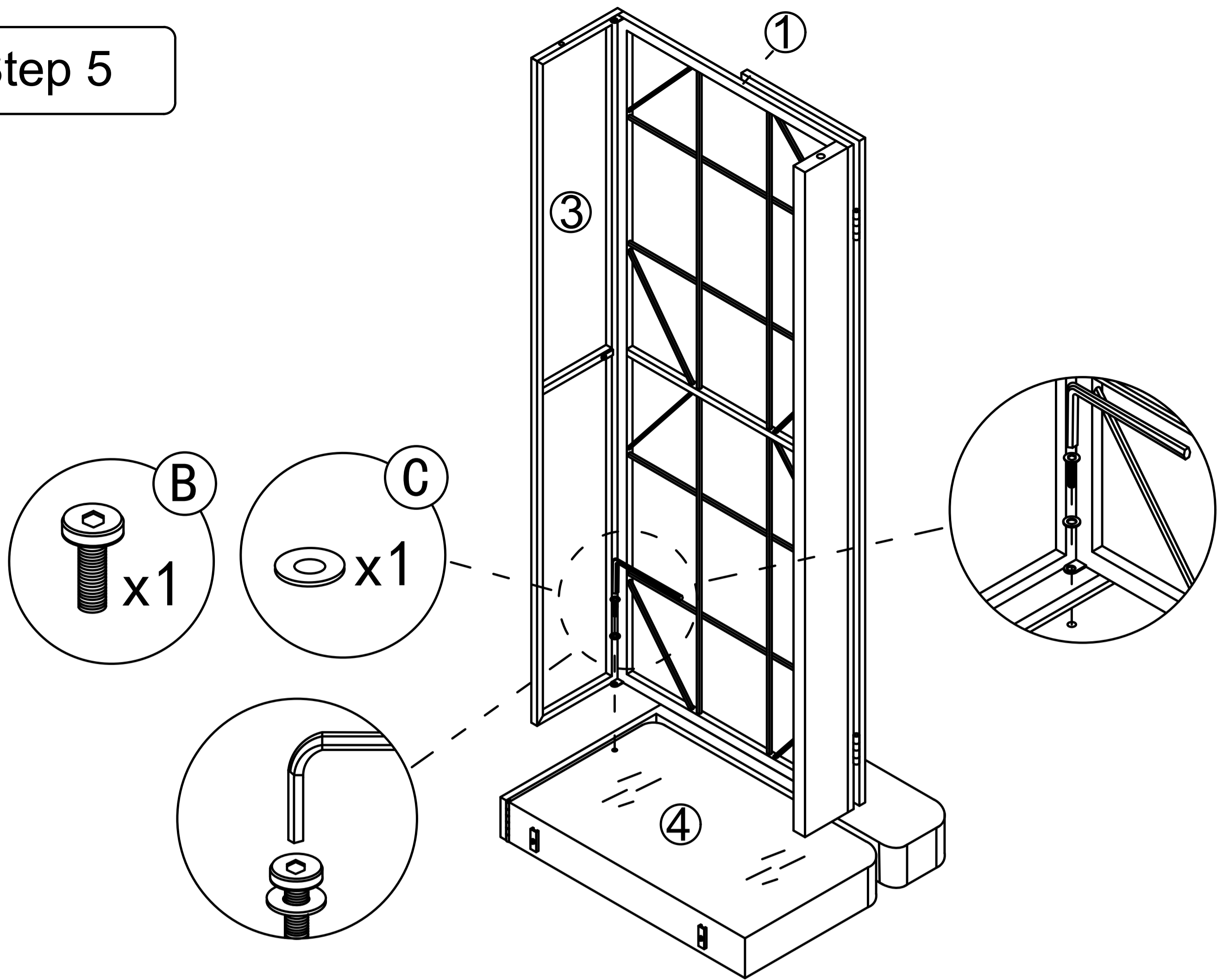
Step 3



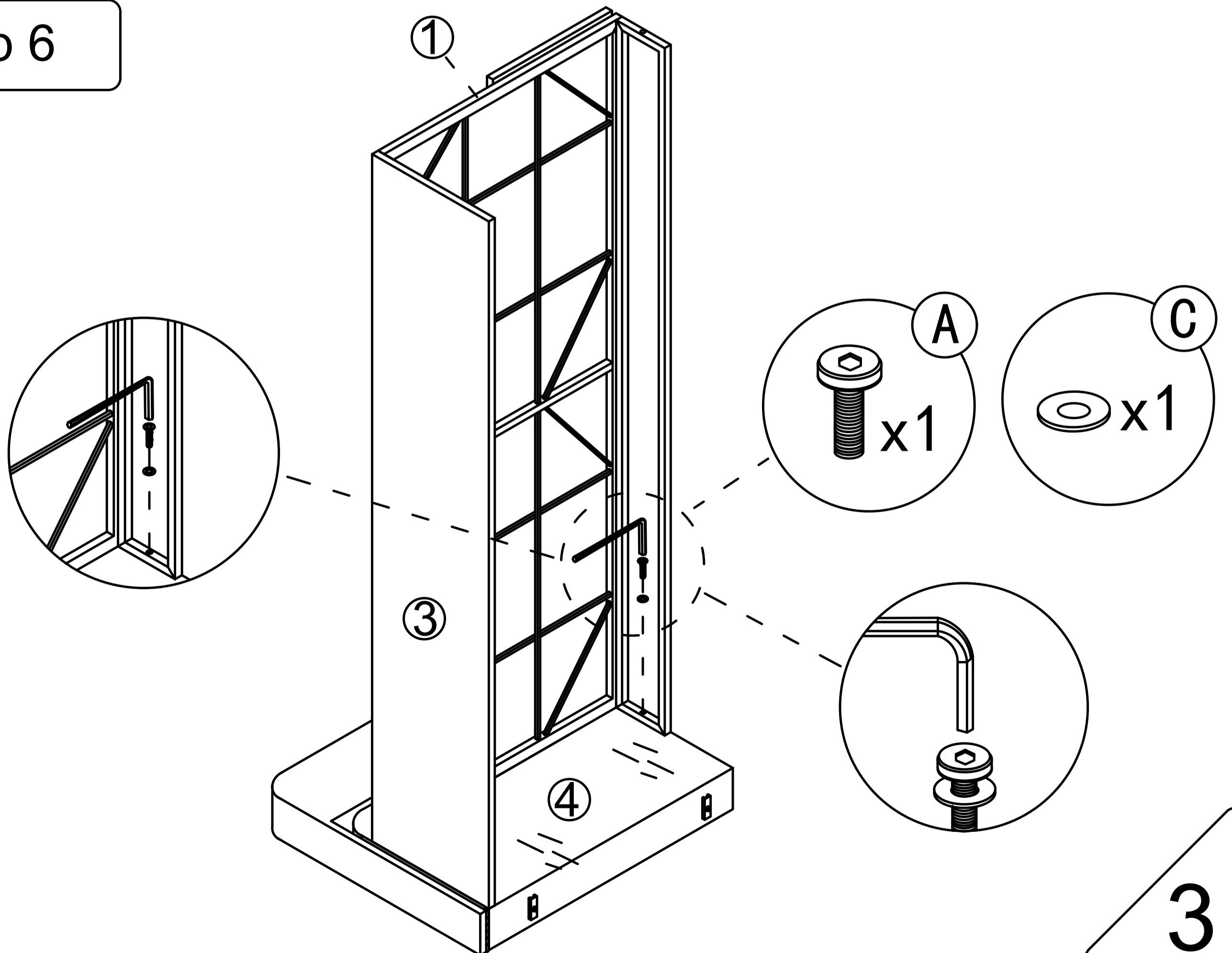
Step 4



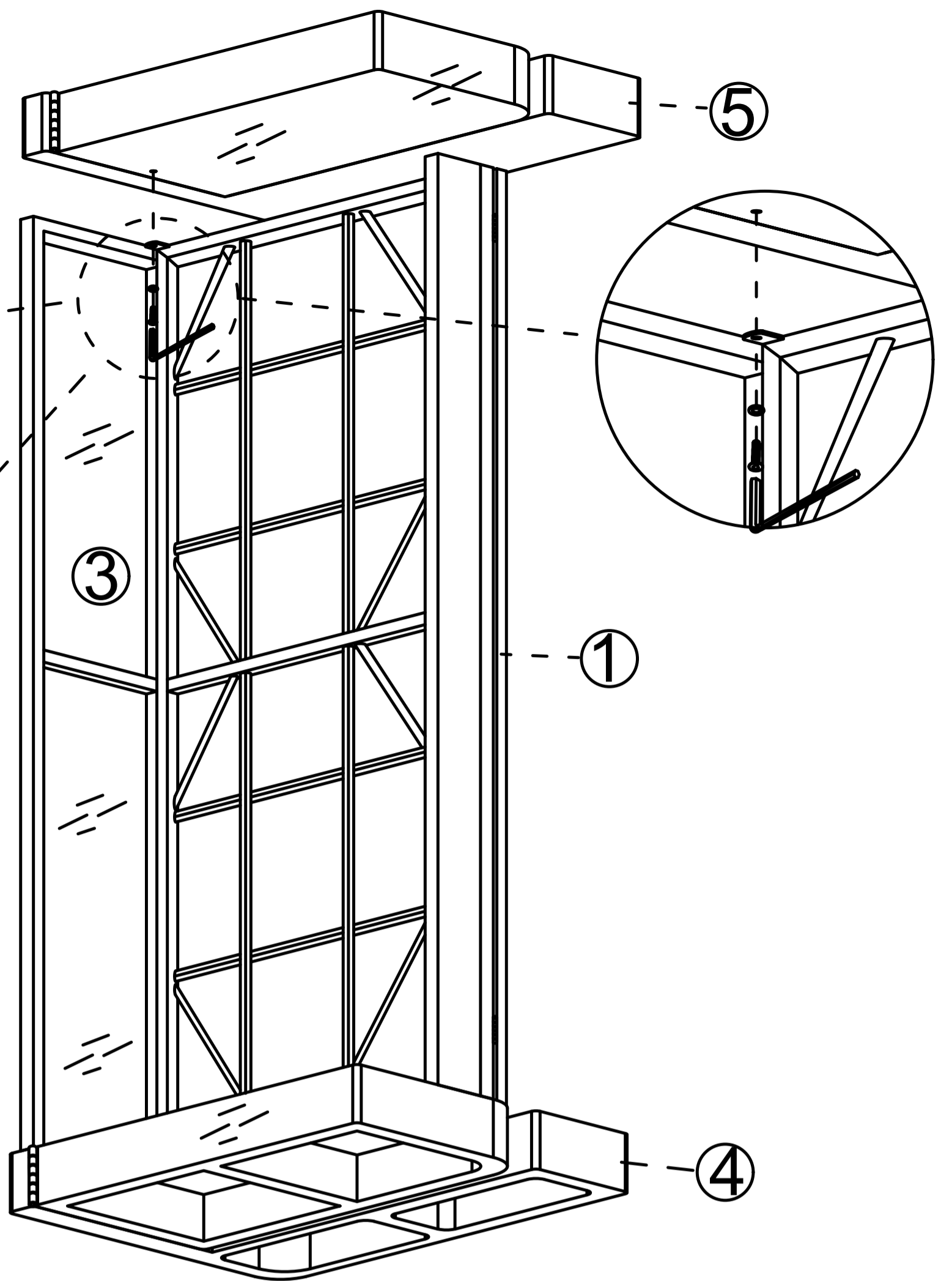
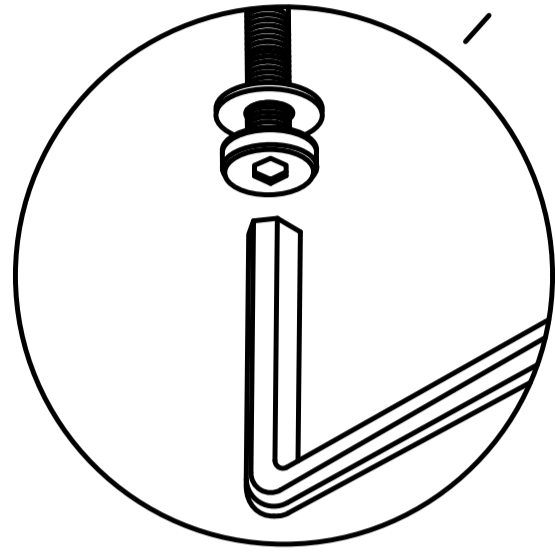
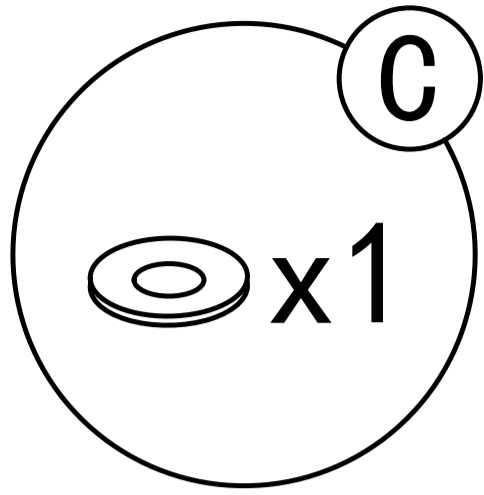
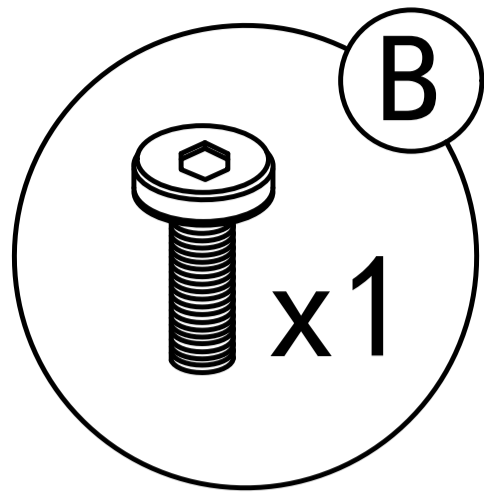
Step 5



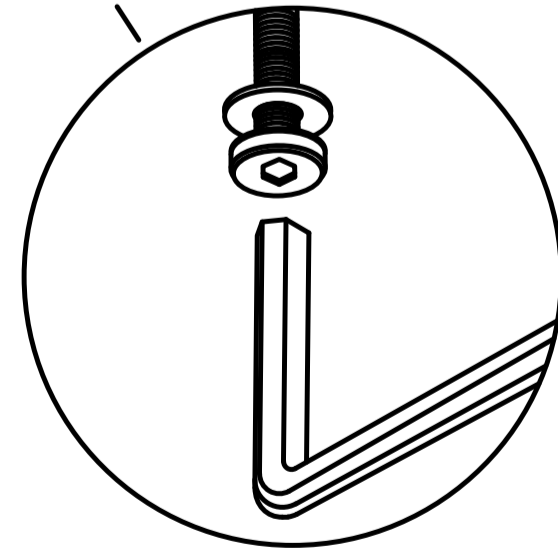
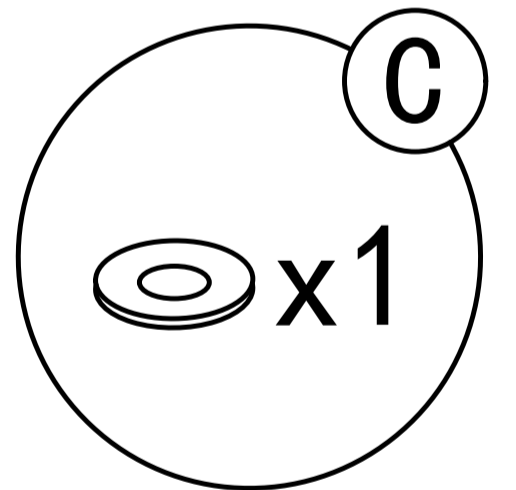
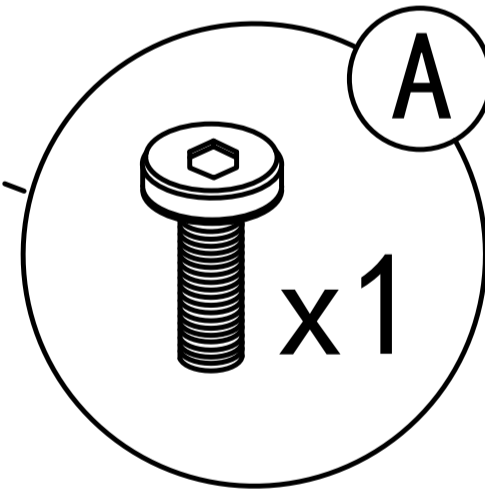
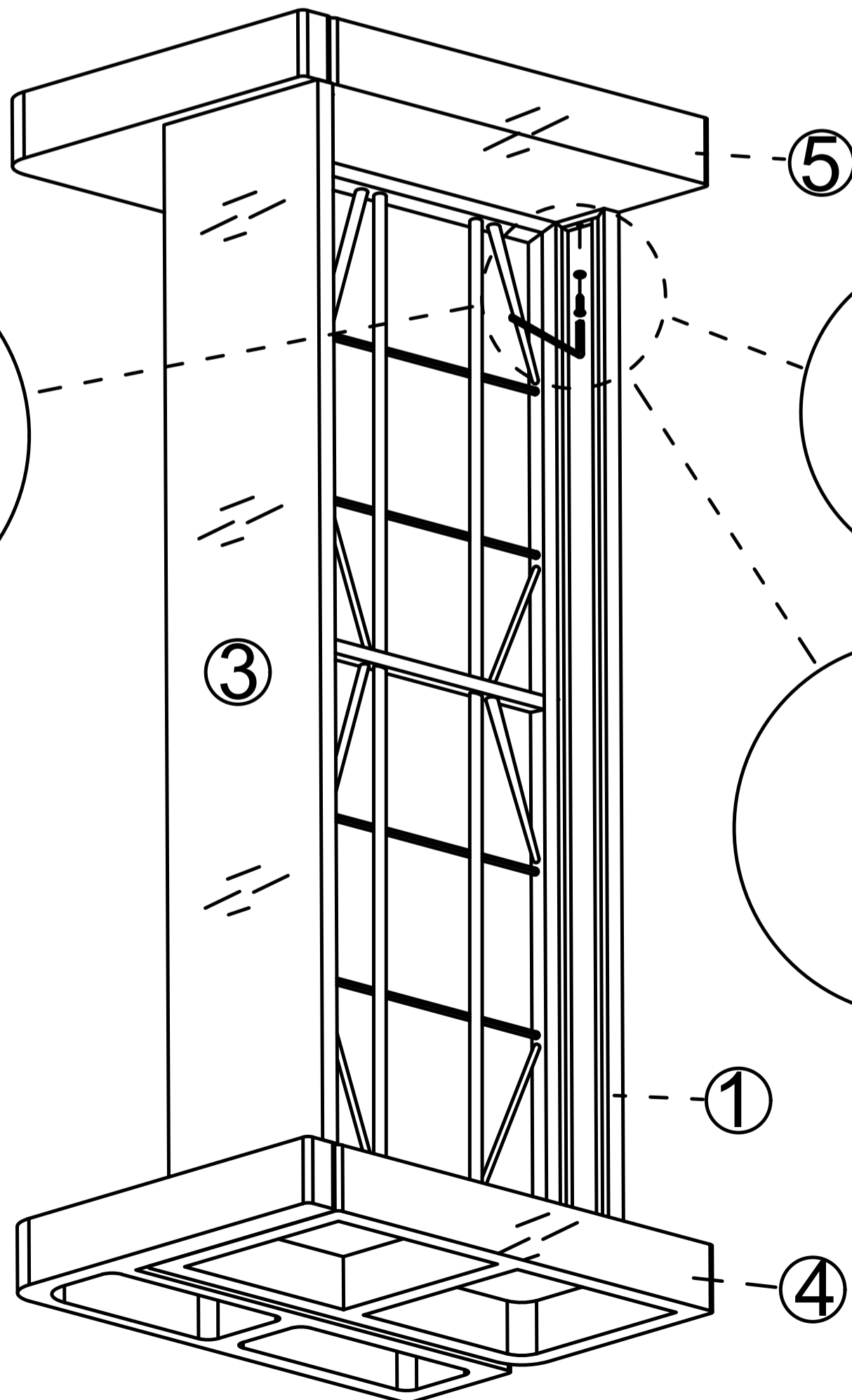
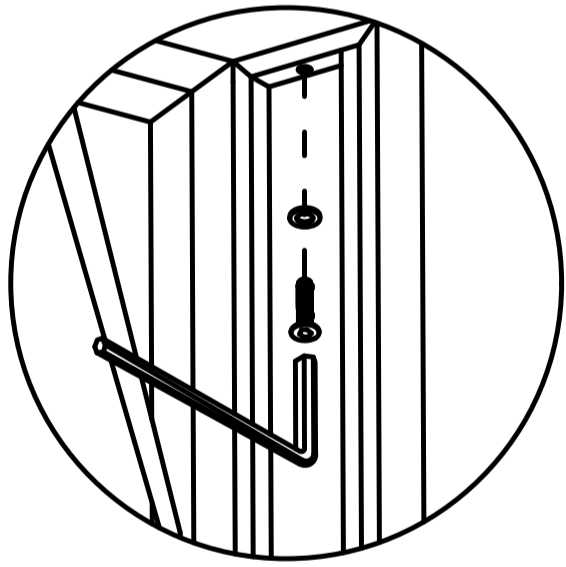
Step 6



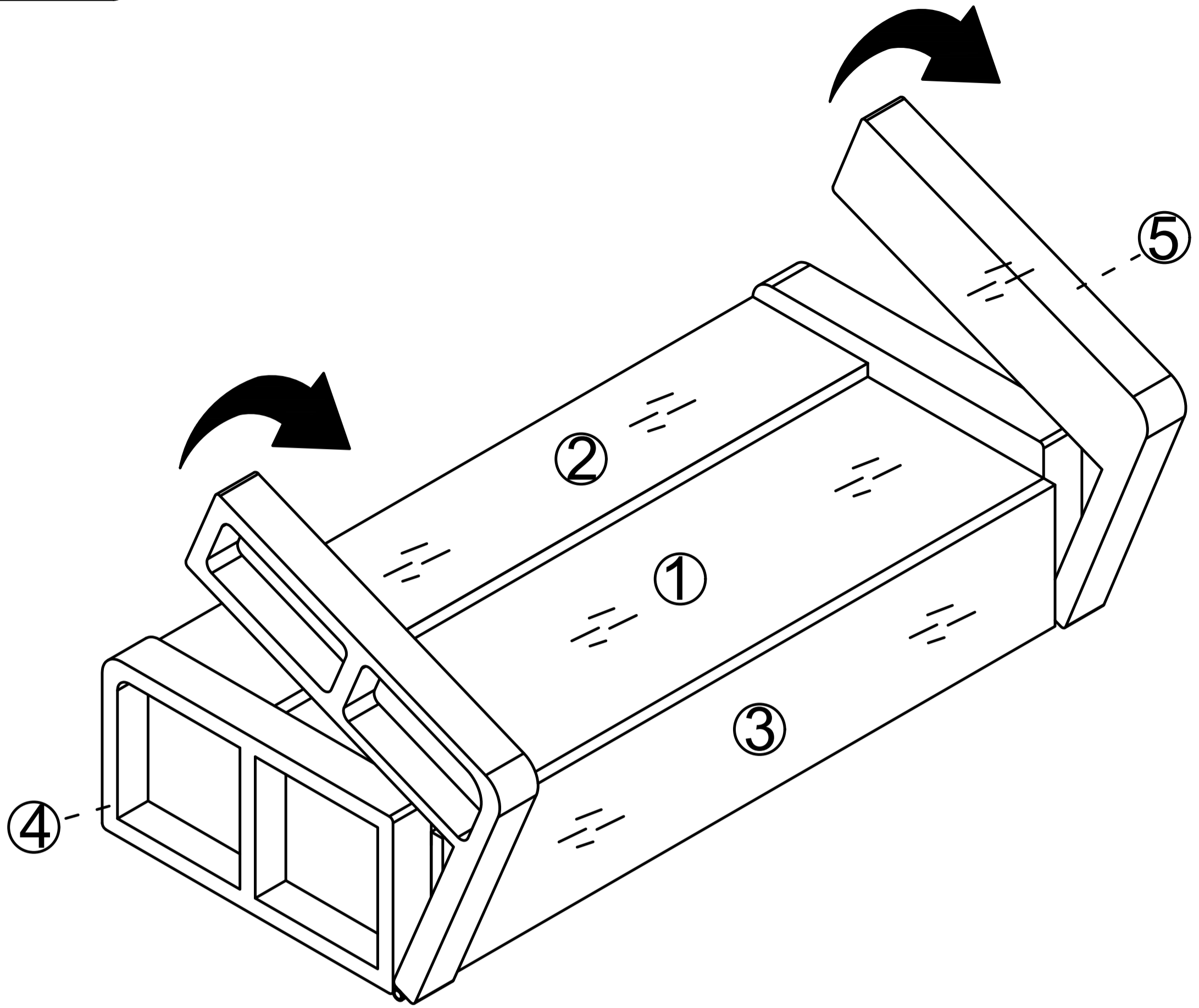
Step 7



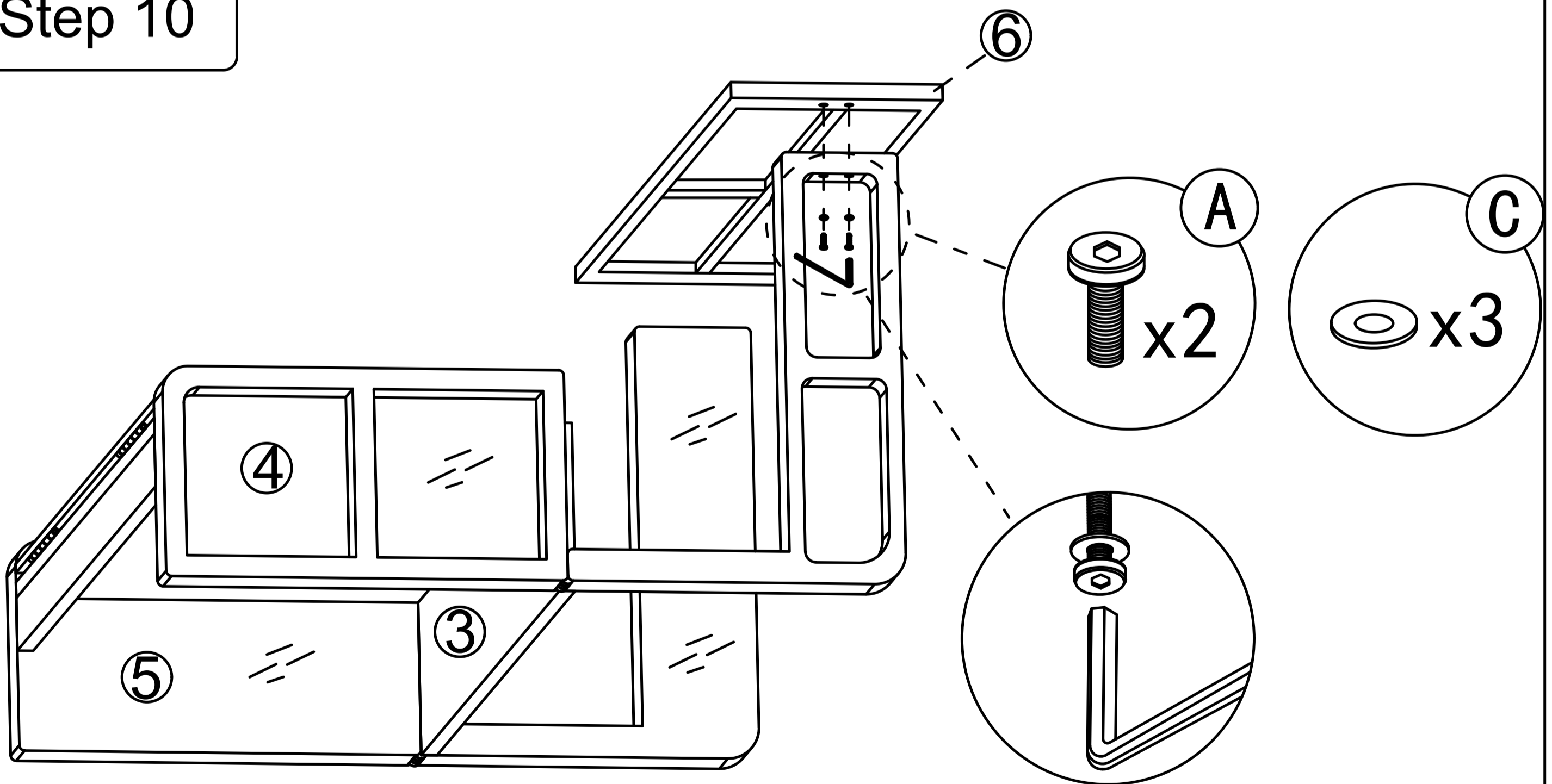
Step 8



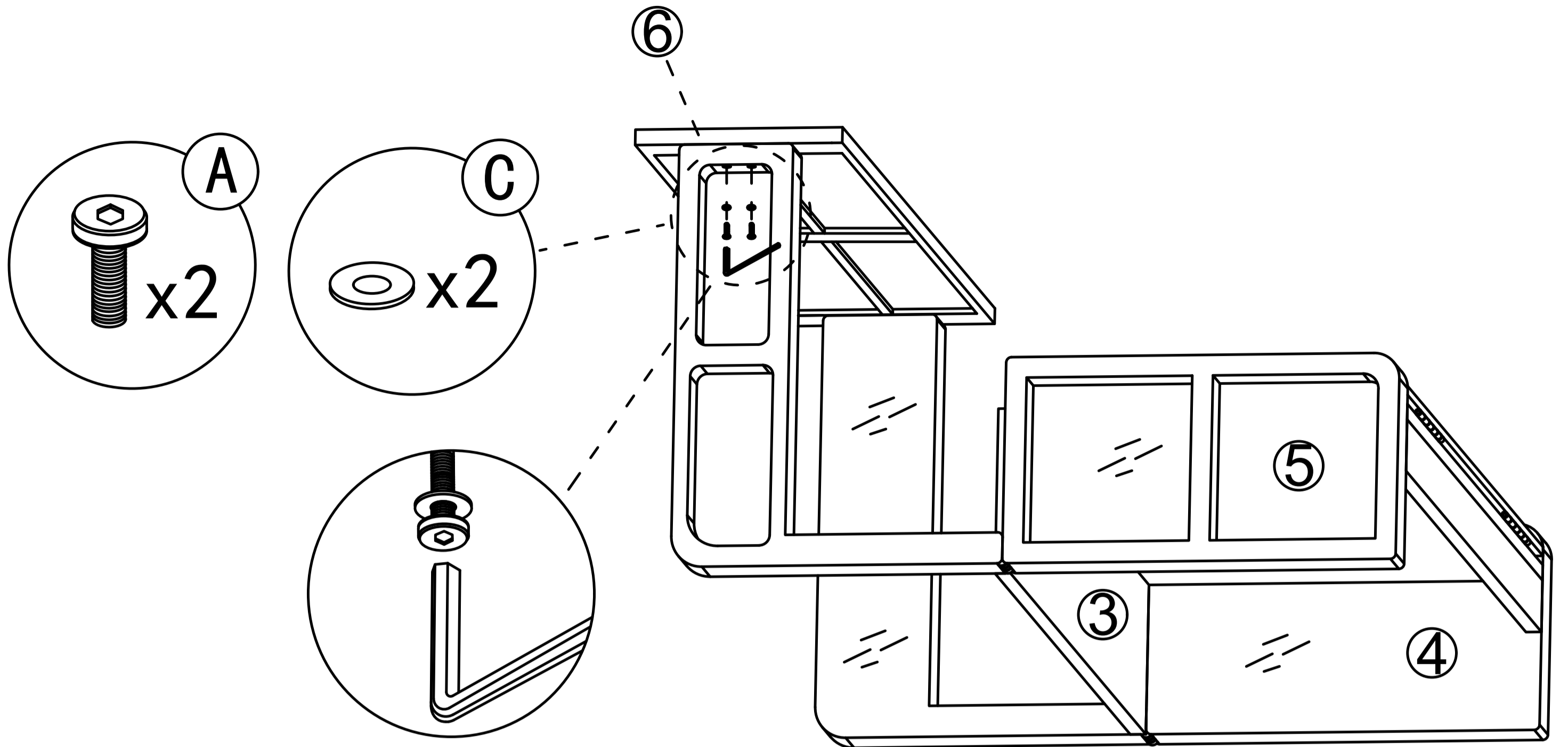
Step 9



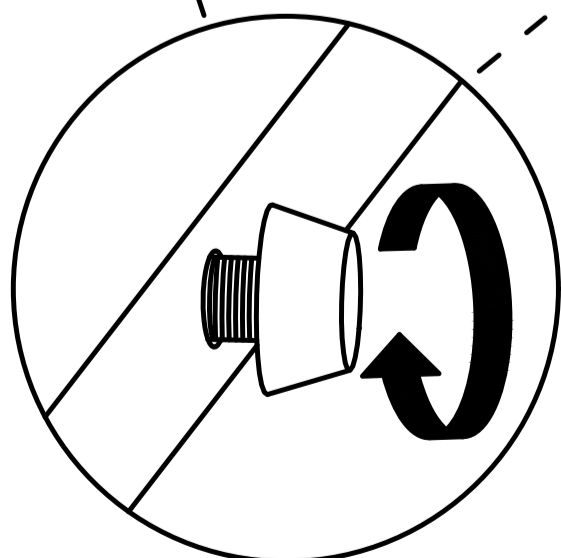
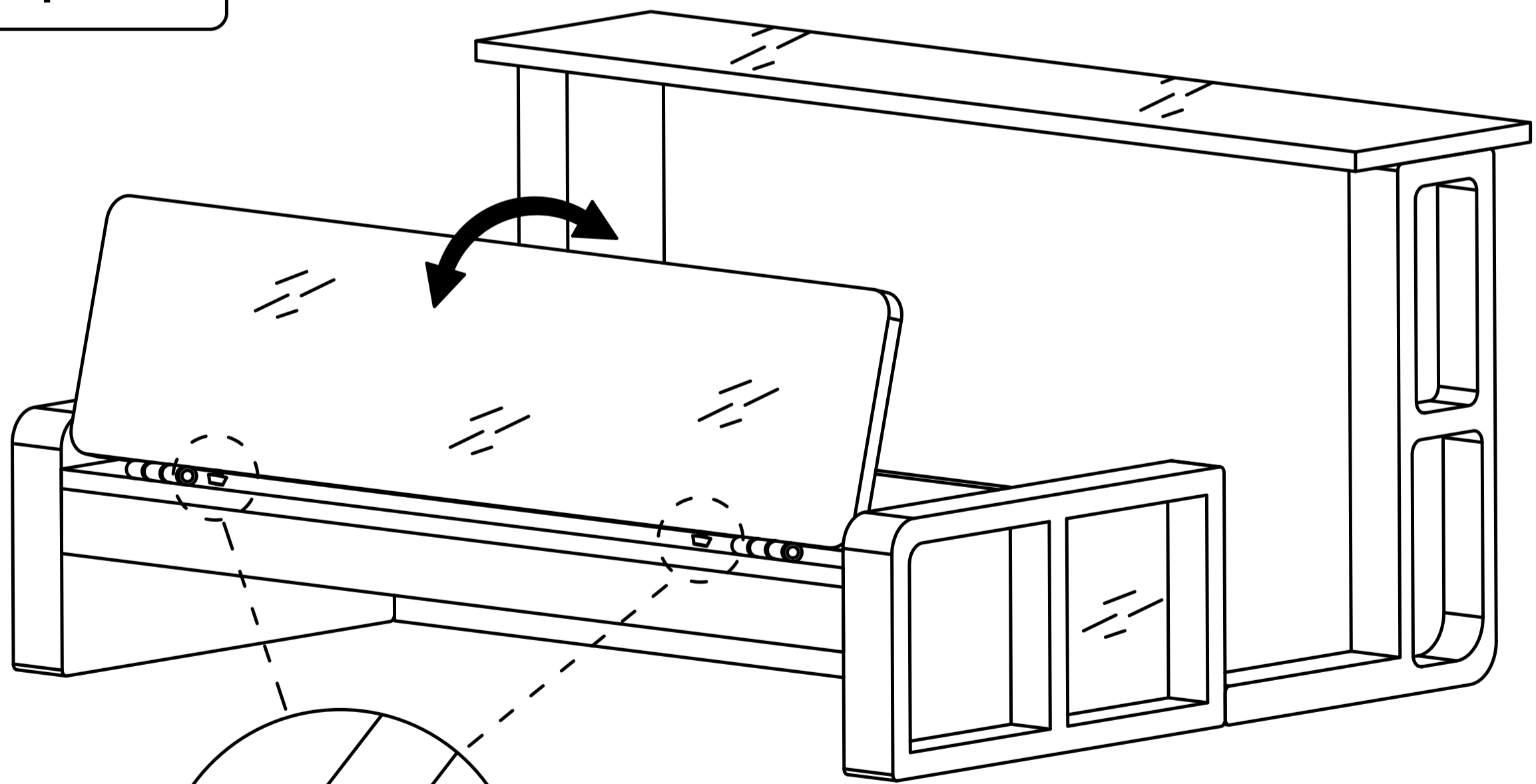
Step 10



Step 11

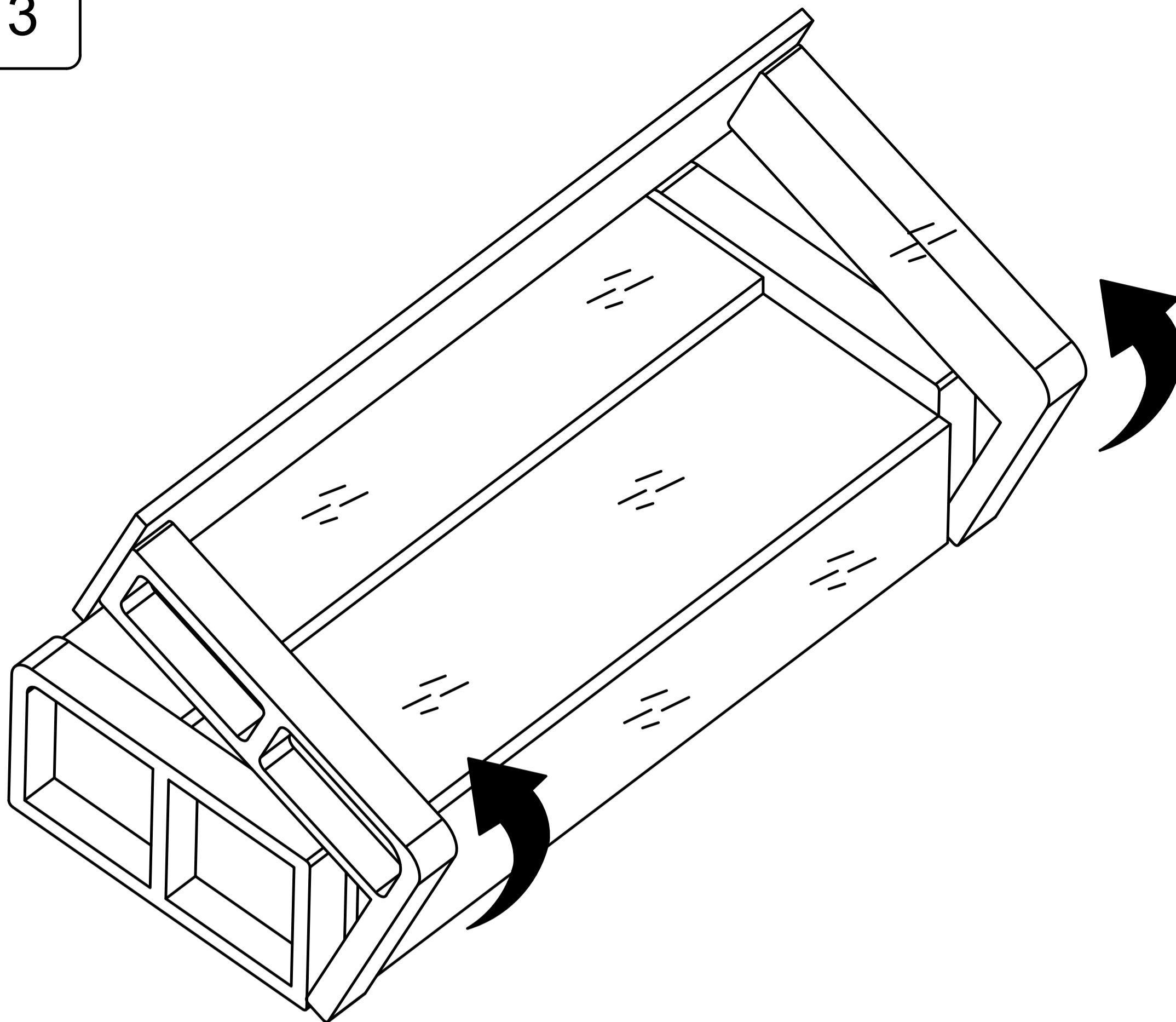


Step 12

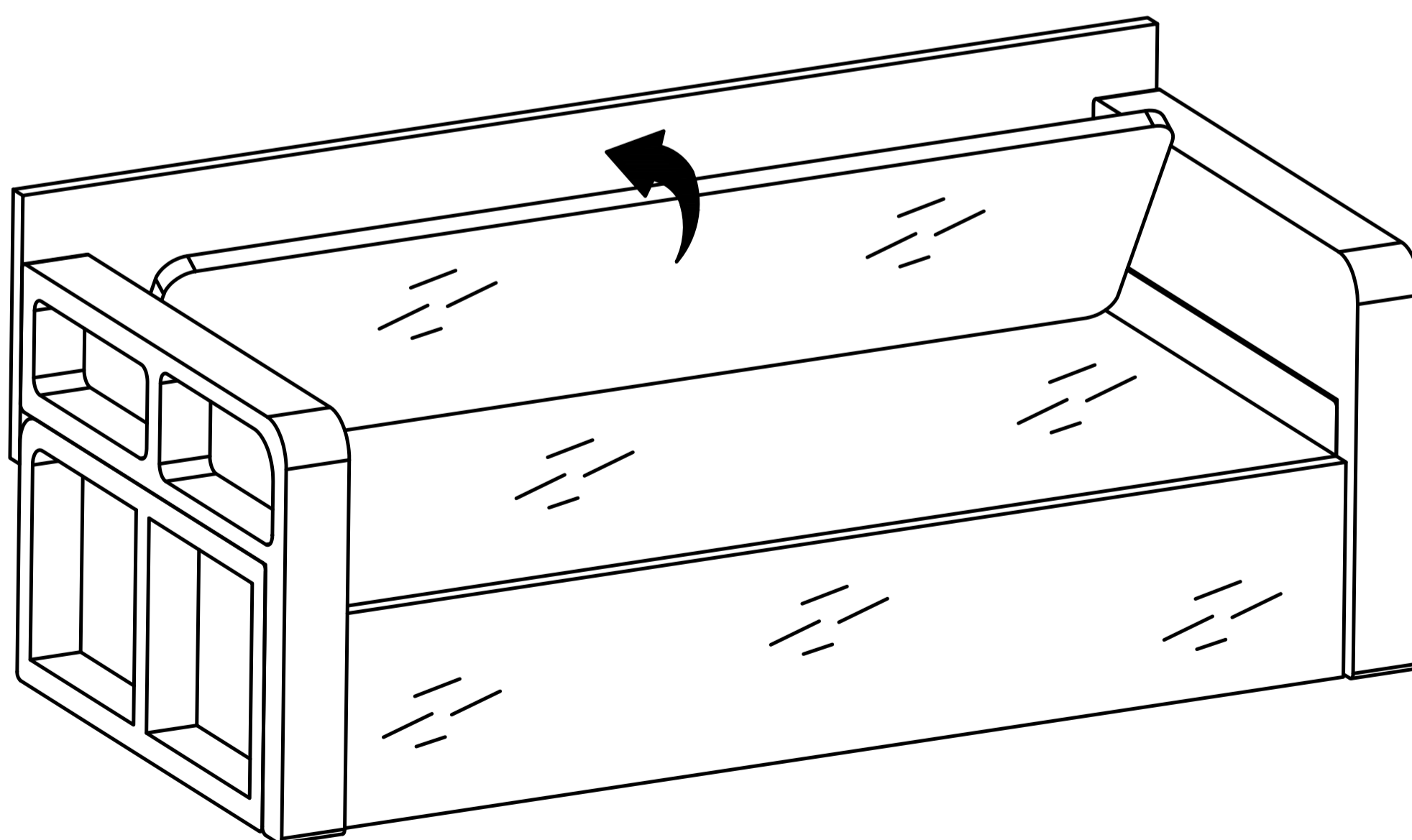


Adjustable backrest angle

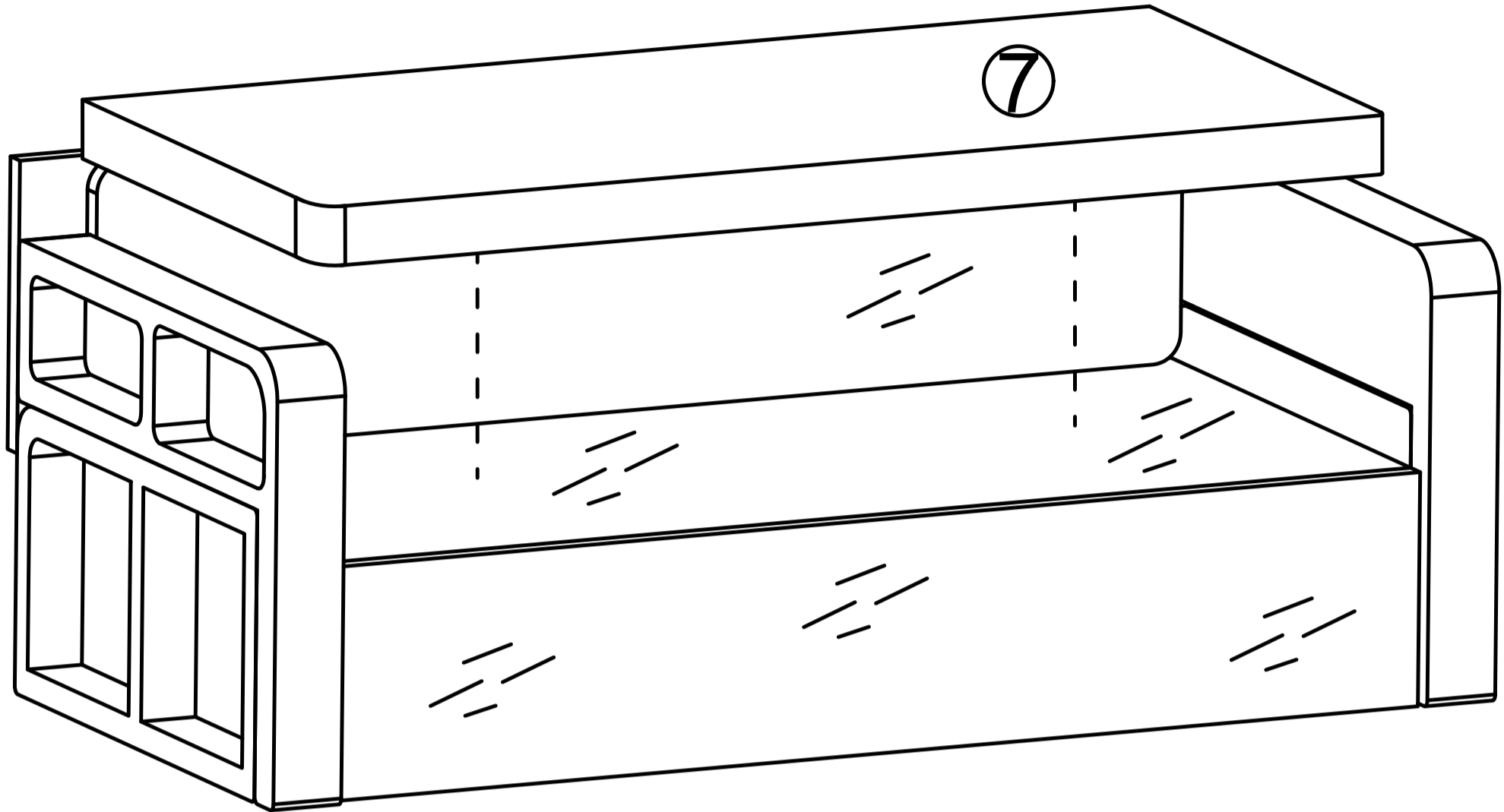
Step 13



Step 14



Step 15



Step 16

