

## Assembly Instruction

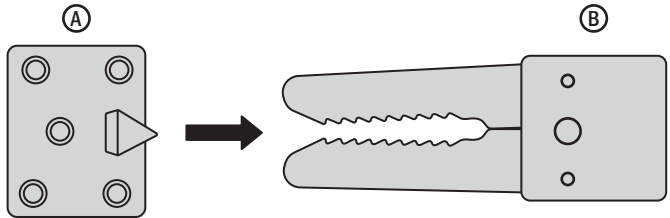
## Sectional

## Alligator Clips (2pcs)

Part ①

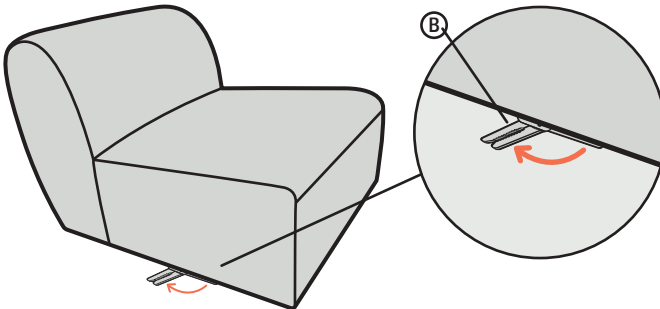
Part ②

\*Upper View of mechanism



① On each furniture, locate mechanism  
Parts ① and ②

② Pull out the ② mechanism



③ Push both alligator clips together  
until Part ① inserts into part ②  
and the mechanism creaks PAGE 1 OF 1

