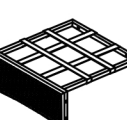




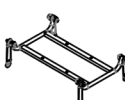
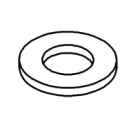
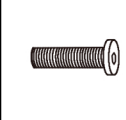
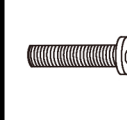








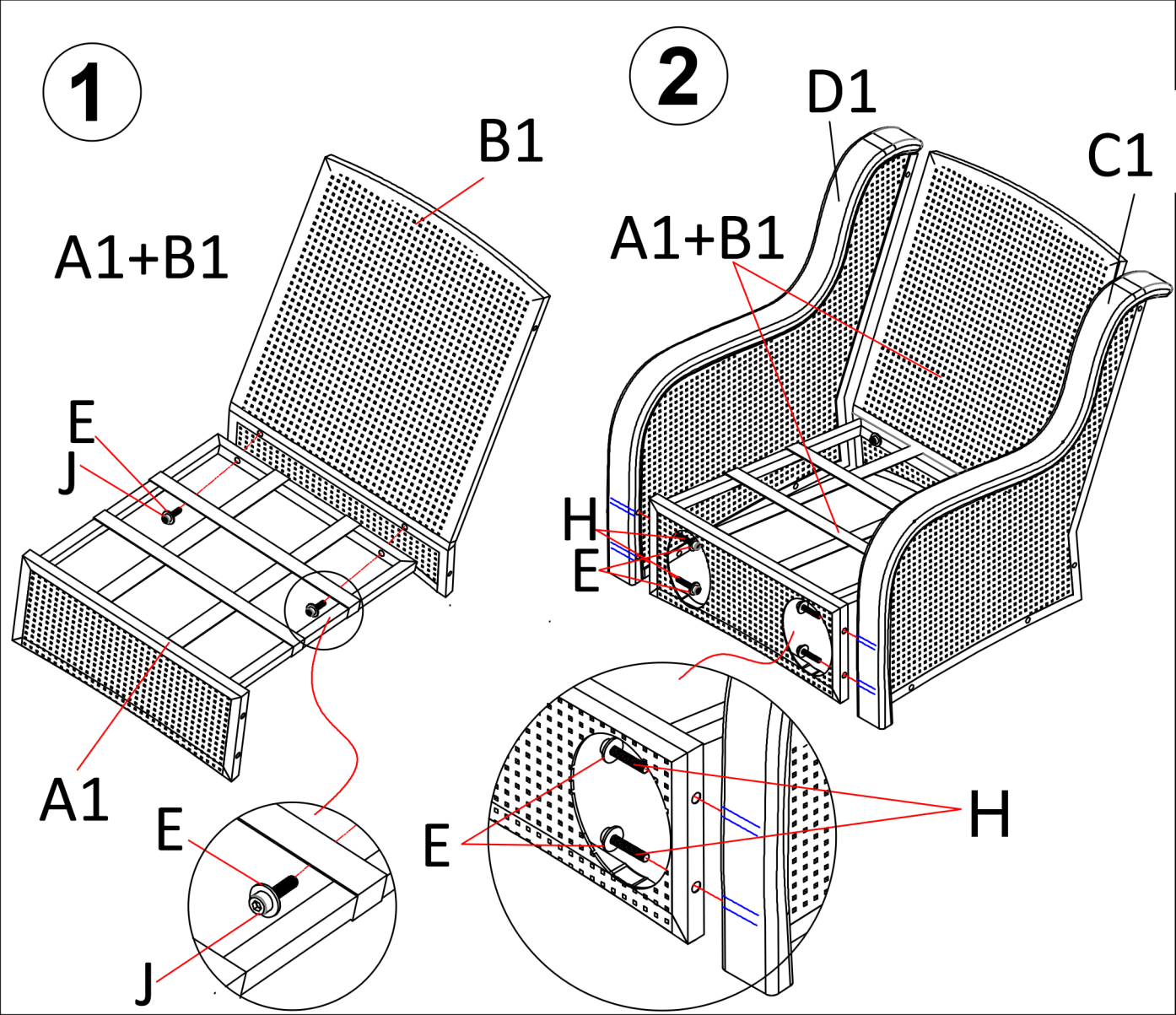
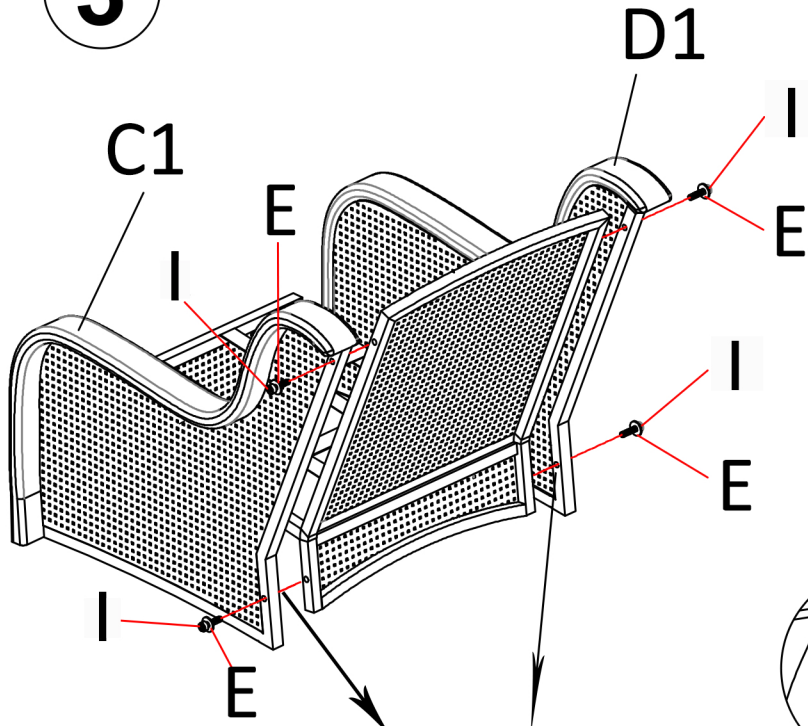


# INSTRUCTIONS

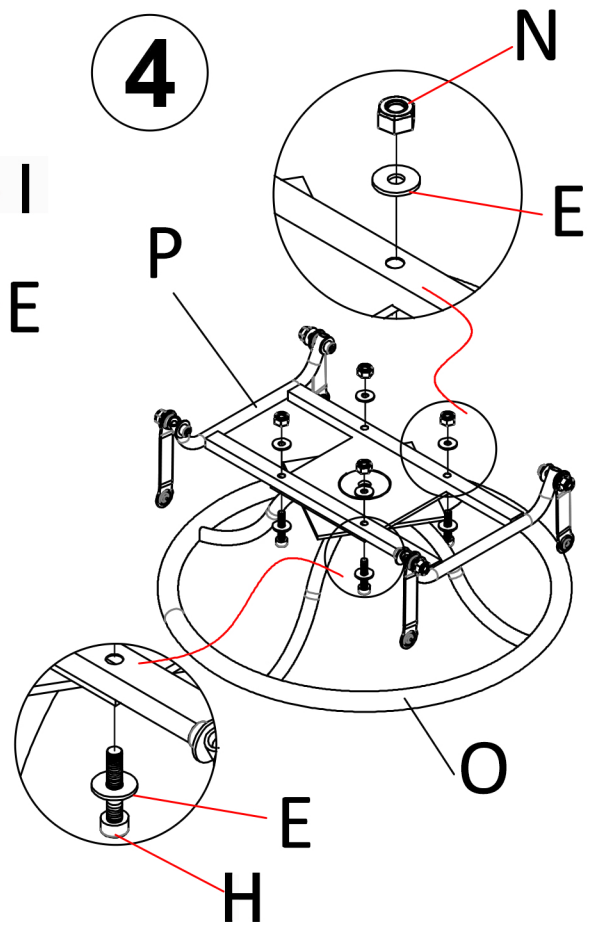
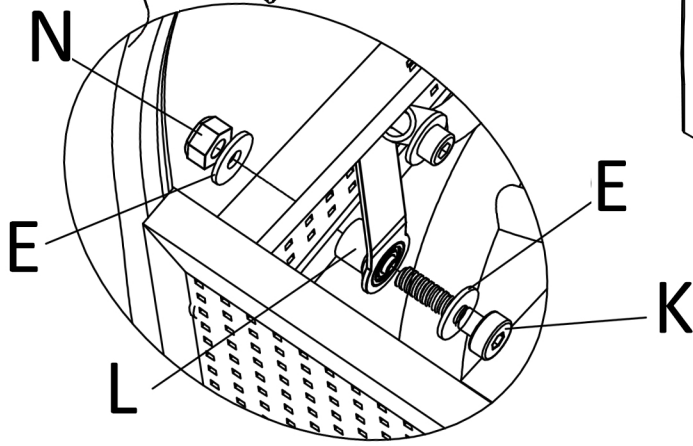
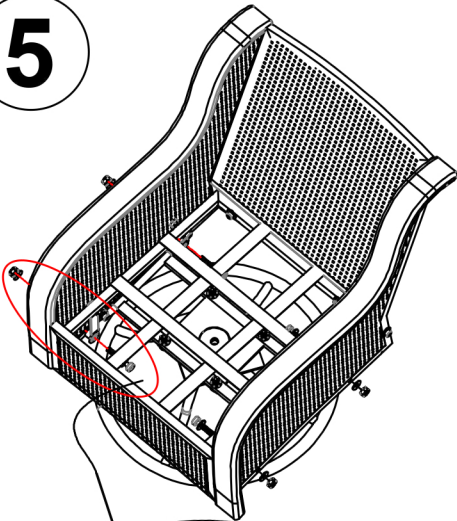
**IMPORTANT:** order to make the whole product adjust to the best ,please install all the screws on the product before fully tighten,and note to put the washer to the screw before putting the screw into the screw hole.

<b>A1</b>  2PC Chair Plate	<b>B1</b>  2PC Backrest	<b>C1</b>  2PC Left Leg	<b>D1</b>  2PC Right Leg	<b>O</b>  2PC Swivel Base	<b>P</b>  2PC Swivel Frame	<b>E</b>  52PC Washer	<b>H</b>  16PC M6*35mm	<b>I</b>  8PC M6*40mm
<b>J</b>  4PC M6*45mm	<b>K</b>  8PC M6*50mm	<b>N</b>  16PC Nuts	<b>L</b>  8PC Plastic Washer	<b>M</b>  1PC Allen key	<b>S</b>  1PC Wrench	<b>Y</b>  2PC Seat Cushion	<b>Z</b>  2PC Back Cushion	



**3**

Assemble down side screw first then assemble upside will be more easier.

**4****5****6**