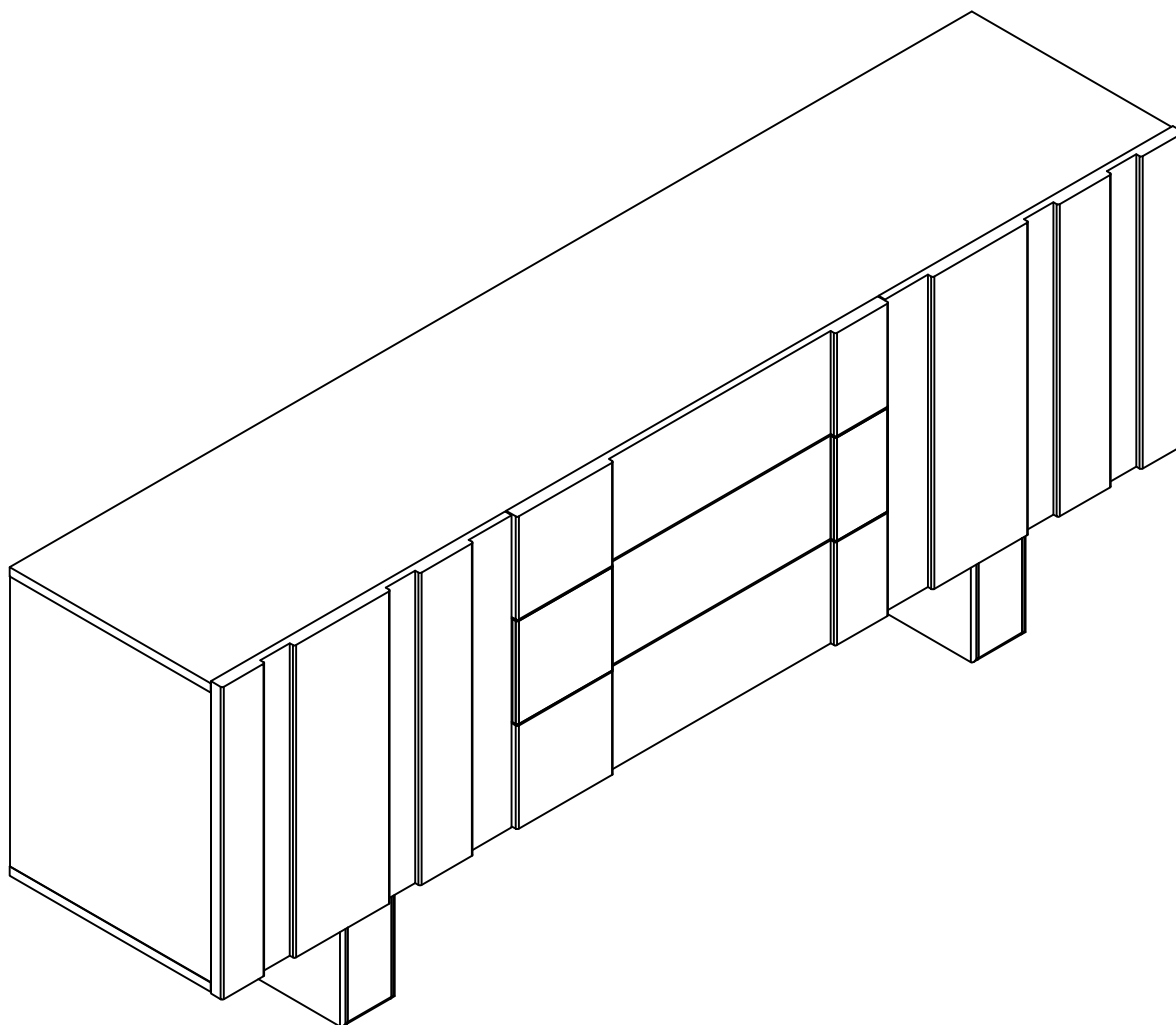
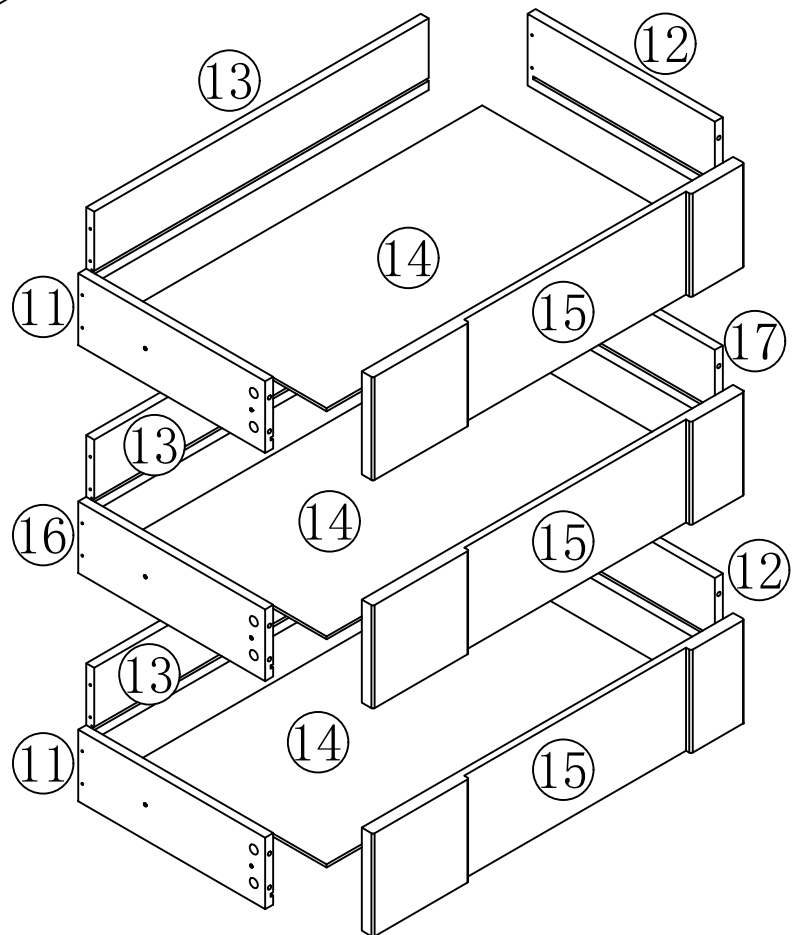
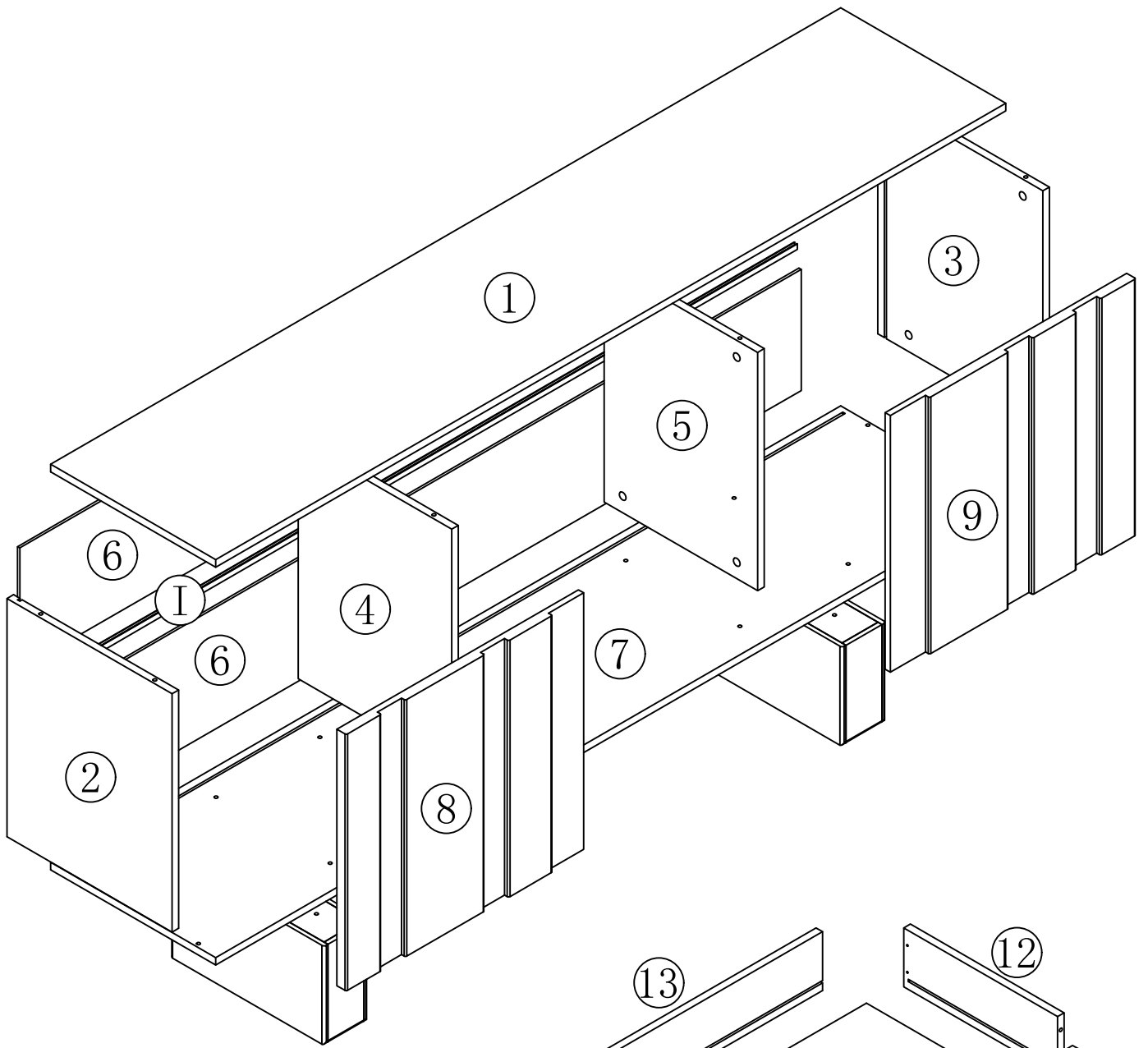
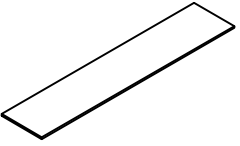
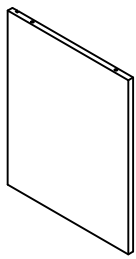
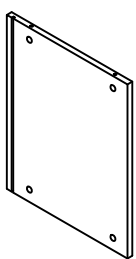
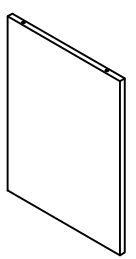
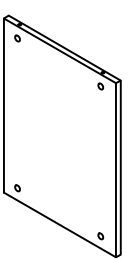
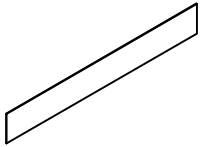
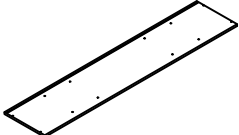
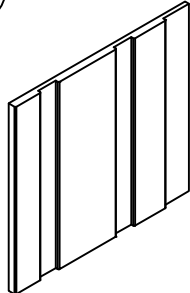
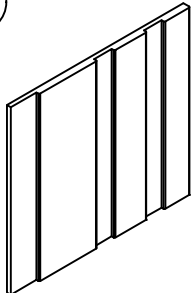
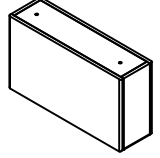
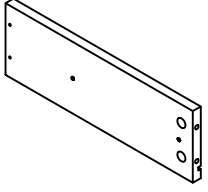
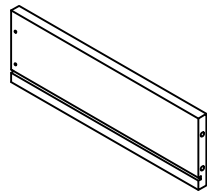
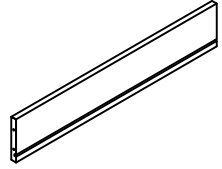
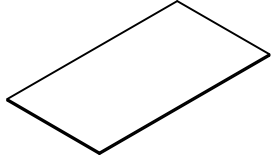
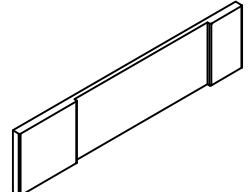
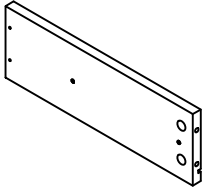
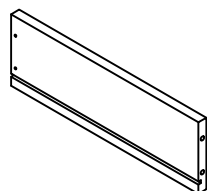


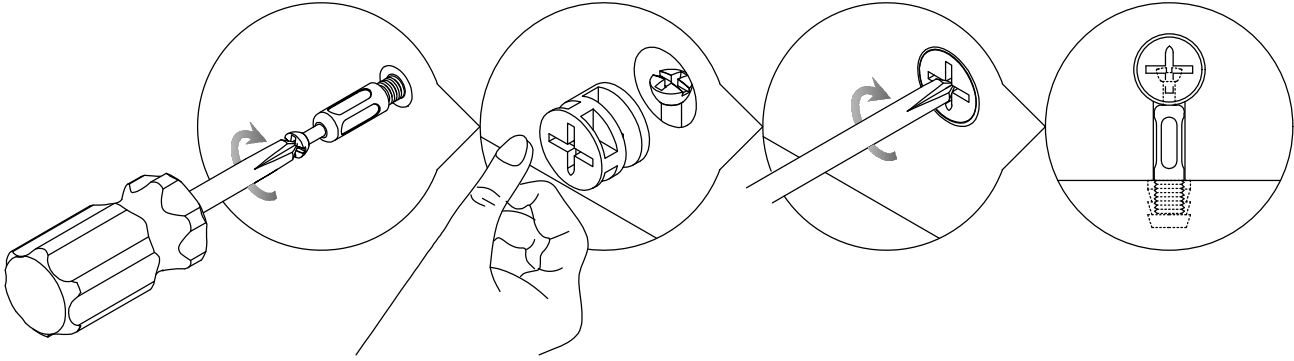
Installation & Assembly



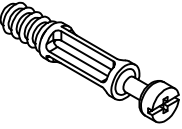

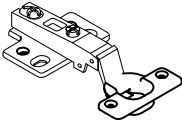
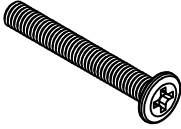

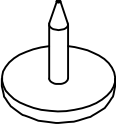
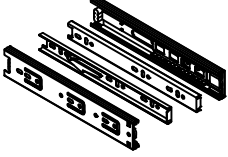

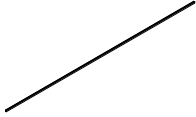
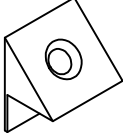
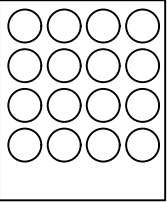
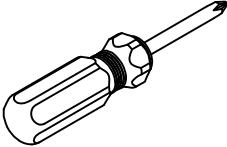
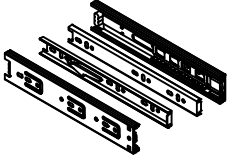


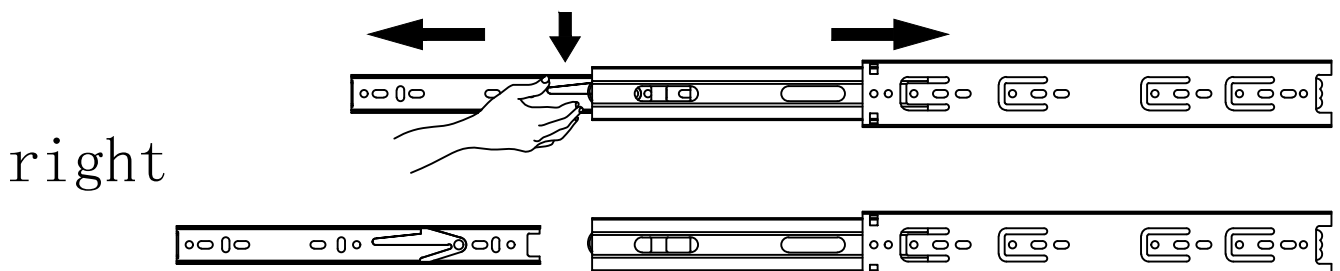
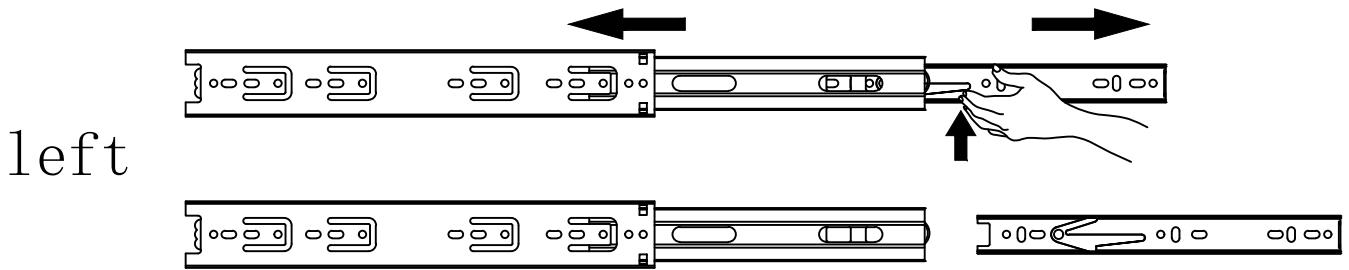
PARTS LIST

<p>①</p> 	<p>②</p> 	<p>③</p> 	<p>④</p> 	<p>⑤</p> 
1	1	1	1	1
<p>⑥</p> 	<p>⑦</p> 	<p>⑧</p> 	<p>⑨</p> 	<p>⑩</p> 
2	1	1	1	2
<p>⑪</p> 	<p>⑫</p> 	<p>⑬</p> 	<p>⑭</p> 	<p>⑮</p> 
2	2	3	3	3
<p>⑯</p> 	<p>⑰</p> 			
1	1			



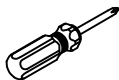


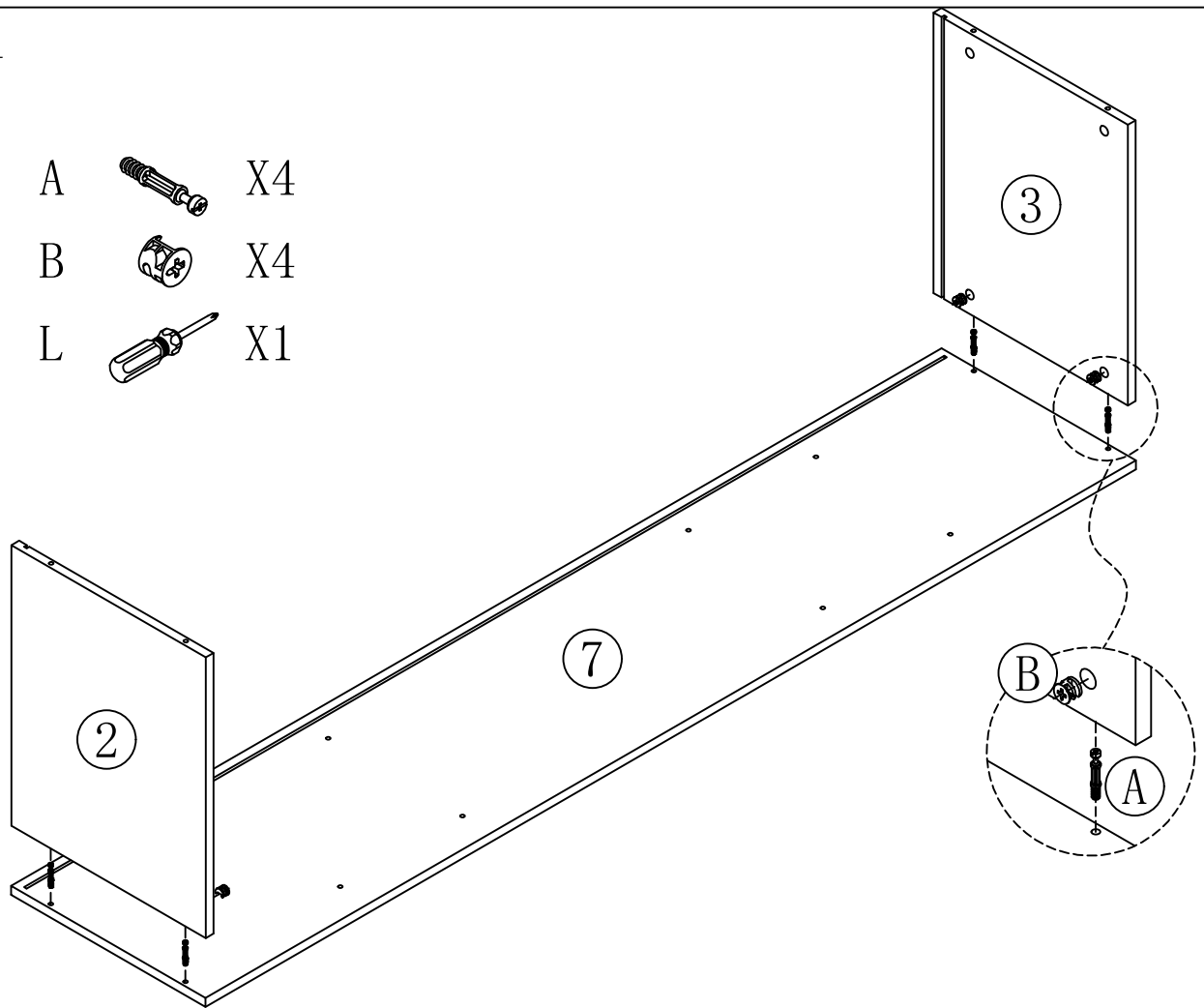
HARDWARE LIST

A	B	C	D	E
				
28	28	4	6*30=4	3.5*12=68
F	G	H	I	J
				
$\phi 14=10$	2	3*35=12	1	20
K	L	M		
				
28	1	1		



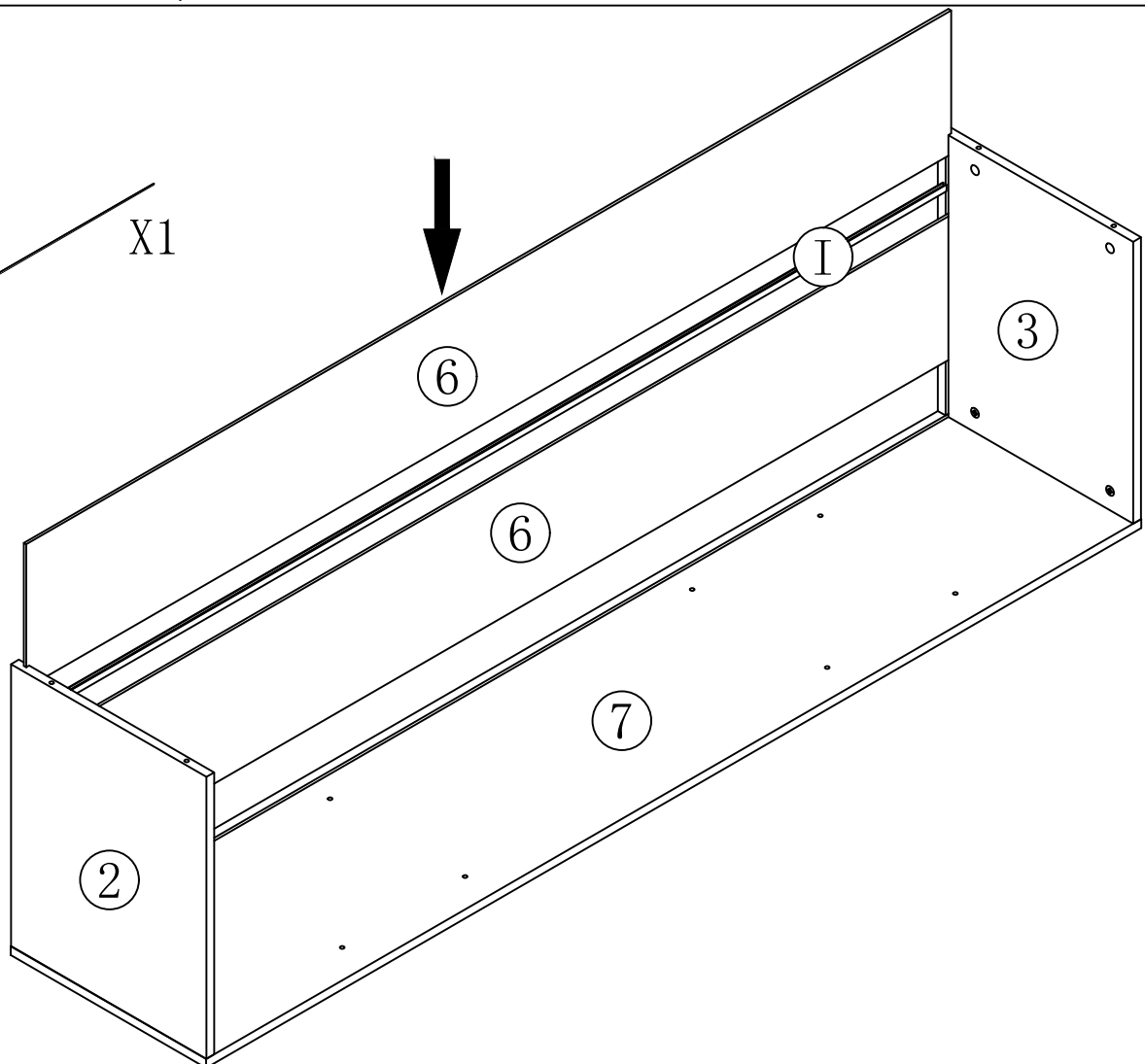
Step 1

- A  X4
- B  X4
- L  X1

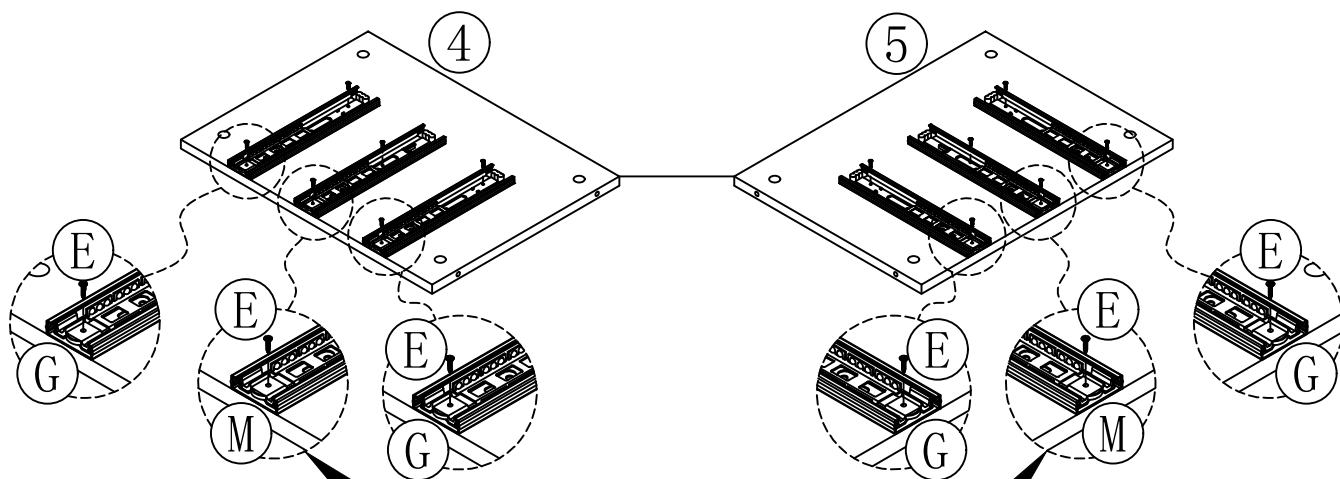


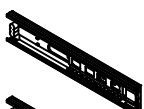


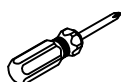
Step 2

- I  X1

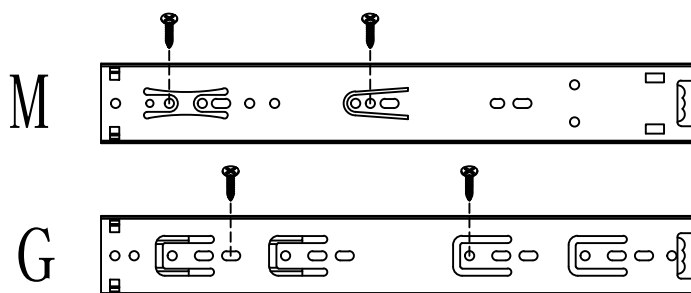


Step 3



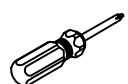


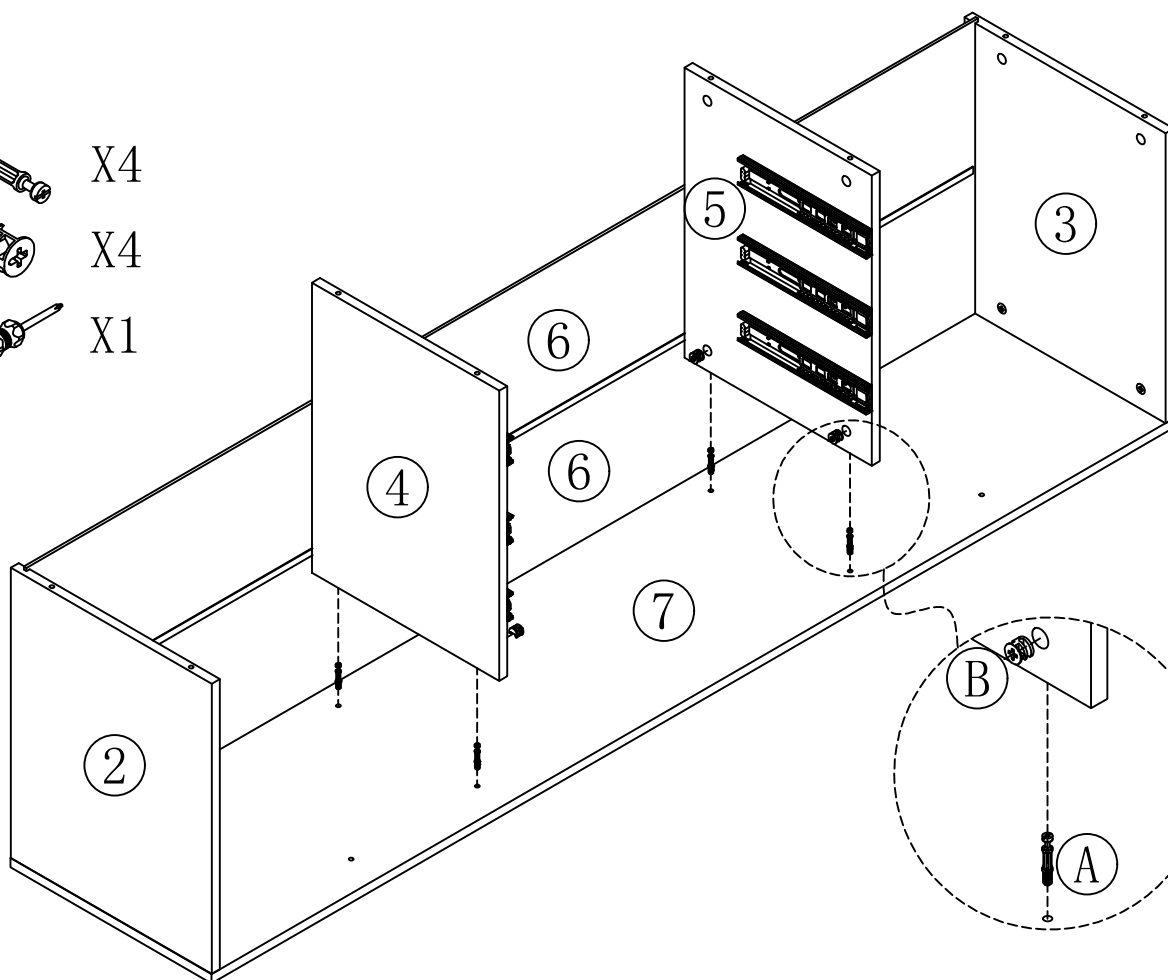
- G  X2
- M  X1
- E  X12
- L  X1

Kindly note that this position is where the rebound guide rail should be installed.



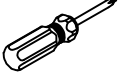


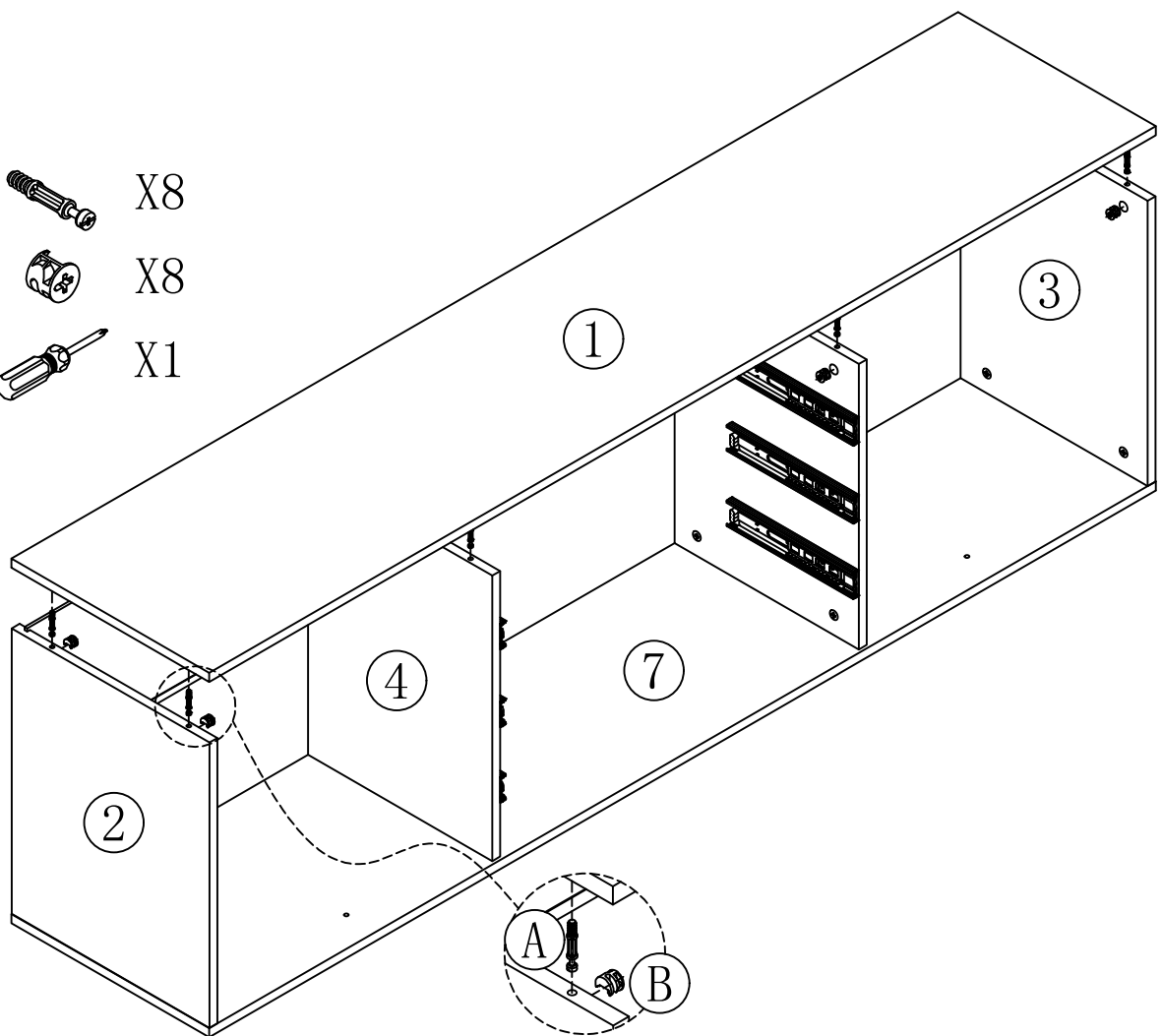
Step 4

- A  X4
- B  X4
- L  X1



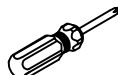


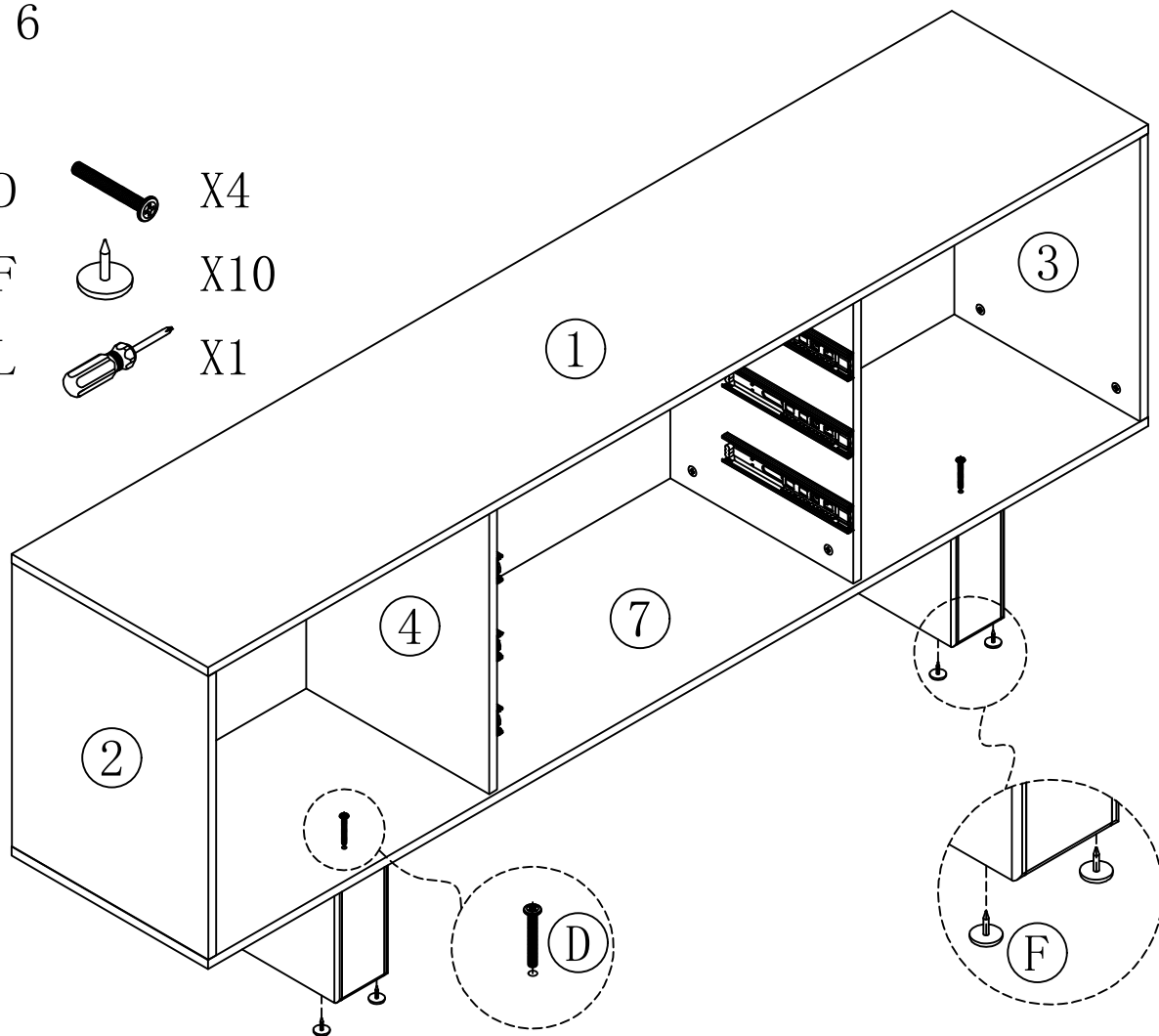
Step 5

- A  X8
- B  X8
- L  X1


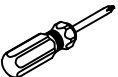


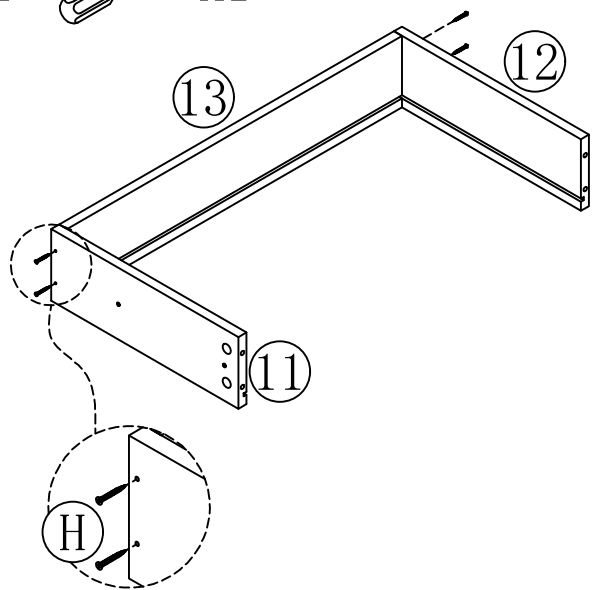
Step 6

- D  X4
- F  X10
- L  X1



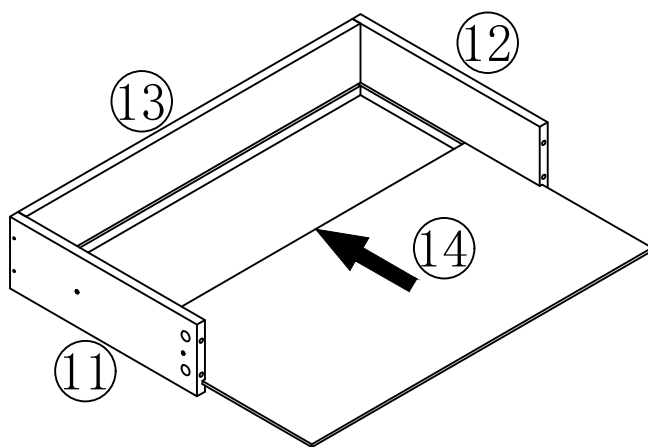
Step 7

- H  X4
- L  X1



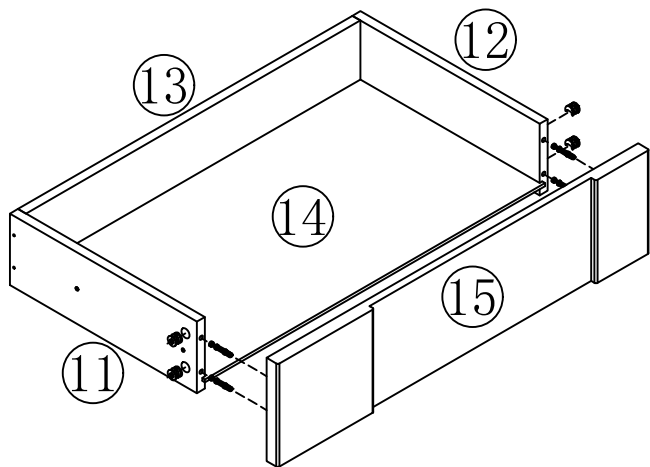
X2



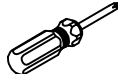
Step 8



X2

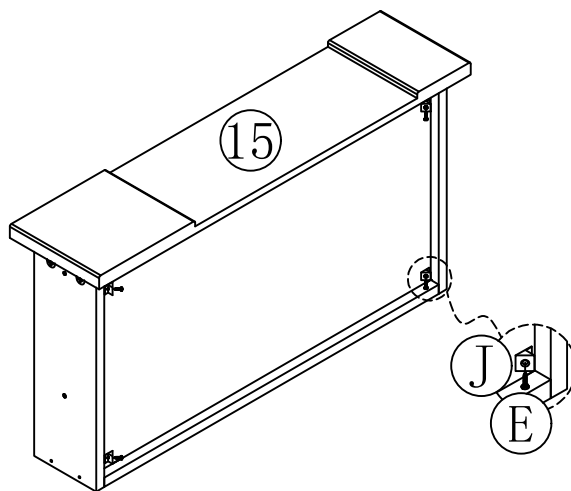
Step 9



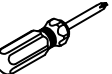


- A  X4
- B  X4
- L  X1

X2



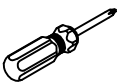
Step 10

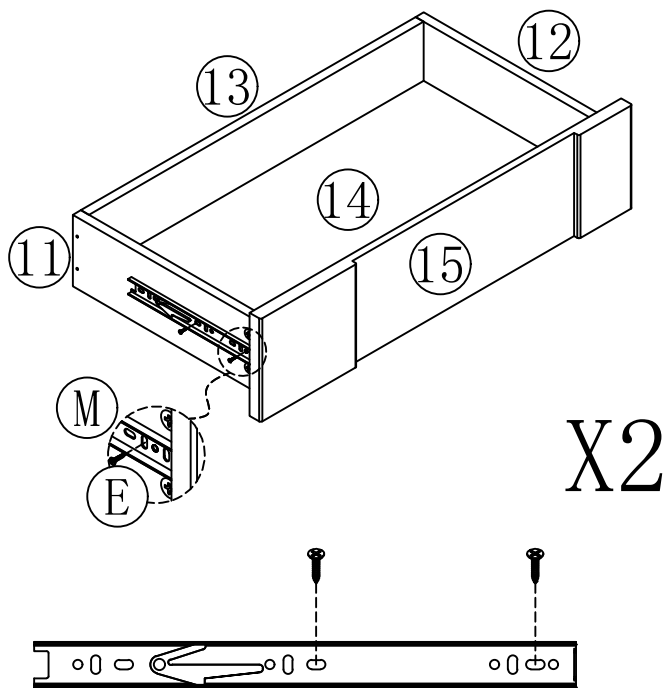


- J  X4
- E  X4
- L  X1

X2


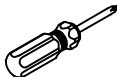
Step 11

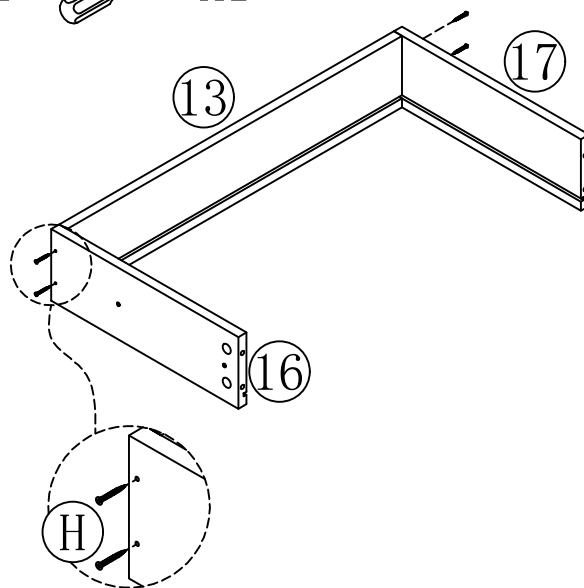
- G  X1
- E  X4
- L  X1



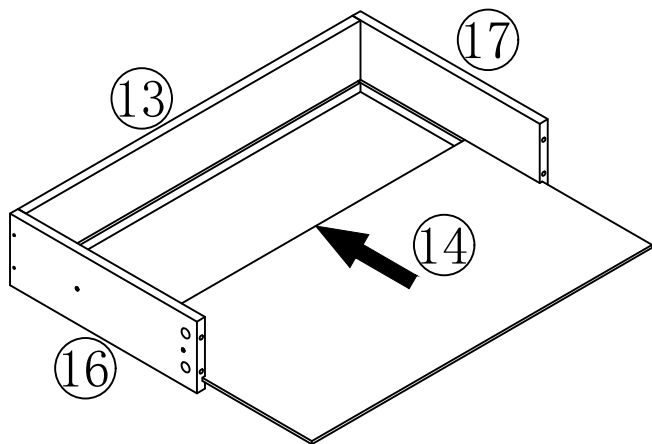
X2

Step 12

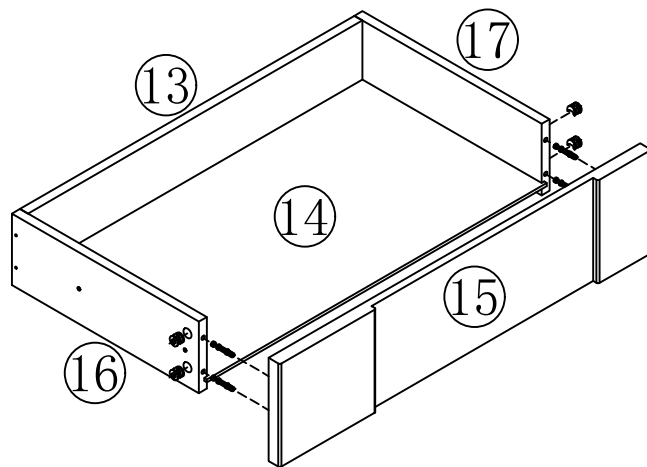
- H  X4
- L  X1



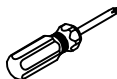


Step 13

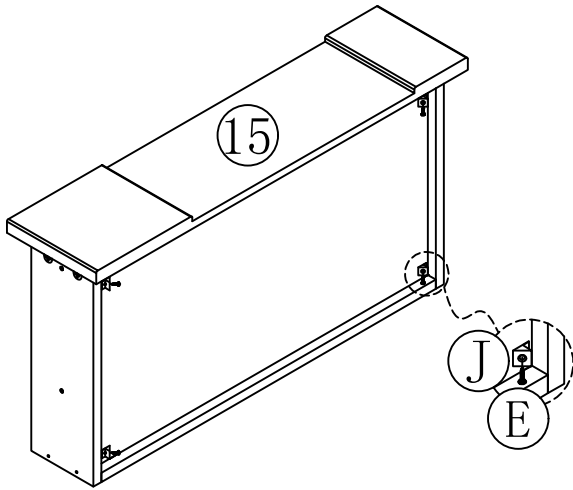




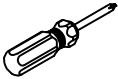
Step 14





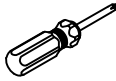
- A  X4
- B  X4
- L  X1

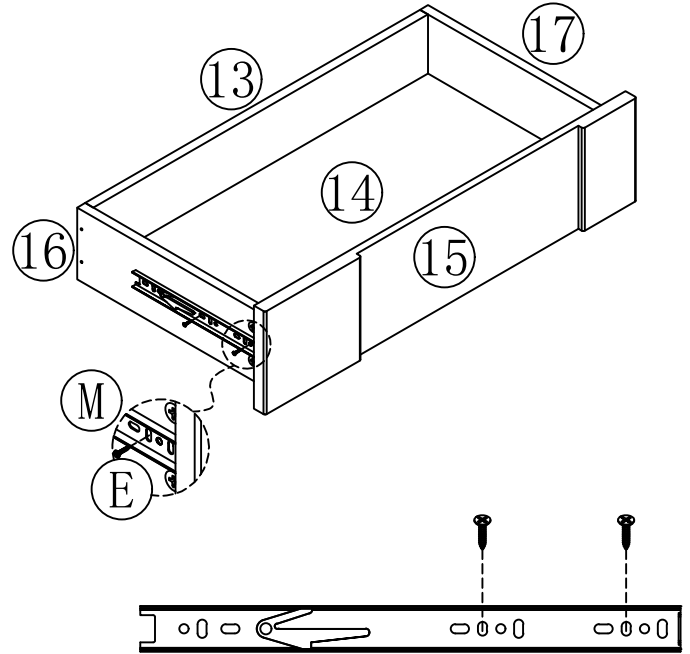
Step 15



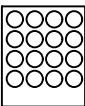
- J  X4
- E  X4
- L  X1

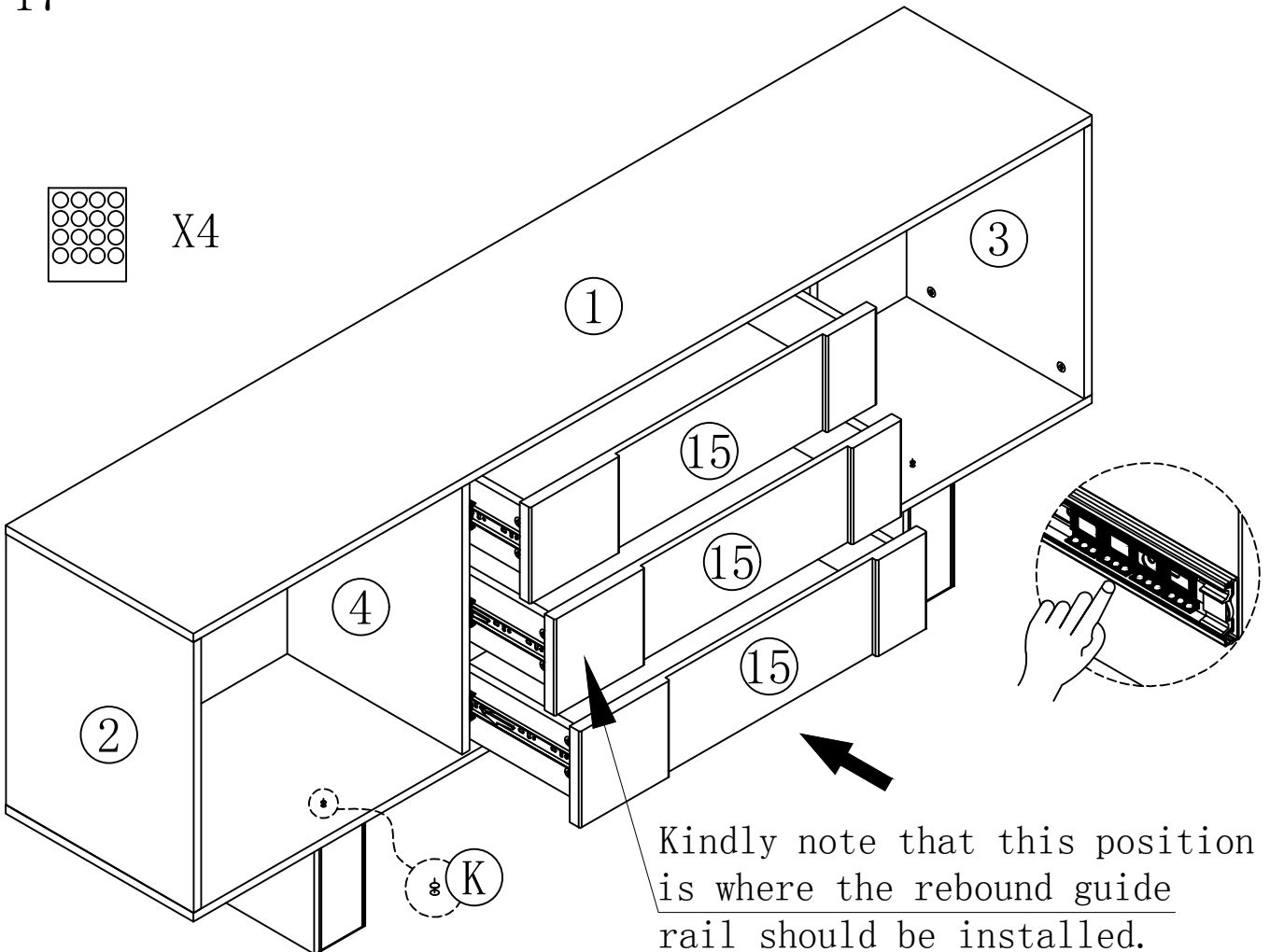
Step 16

- M  X1
- E  X4
- L  X1

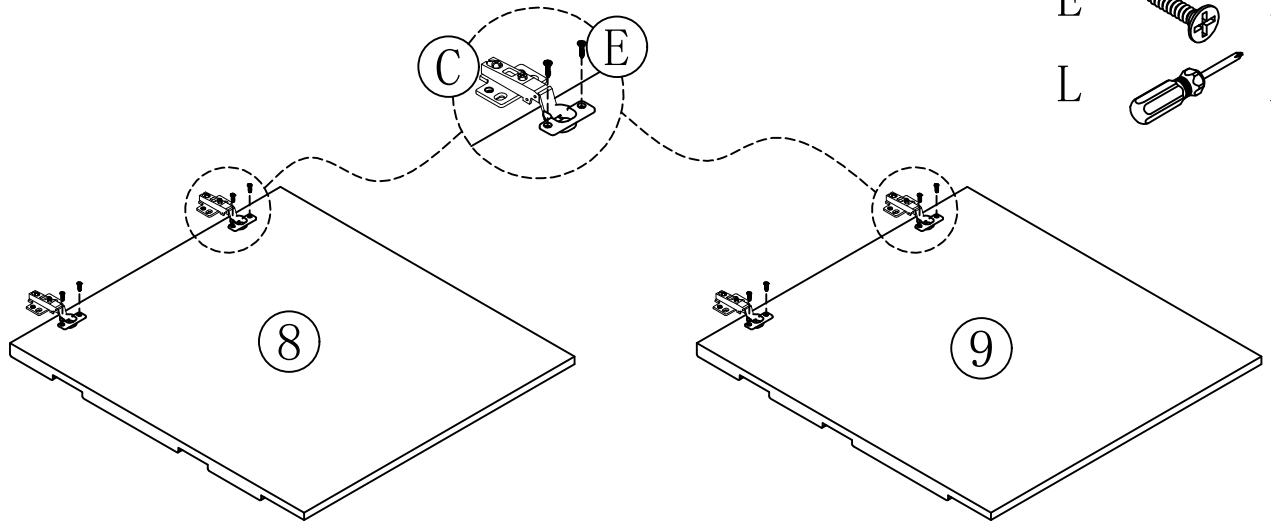


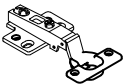

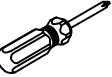
Step 17

- K  X4

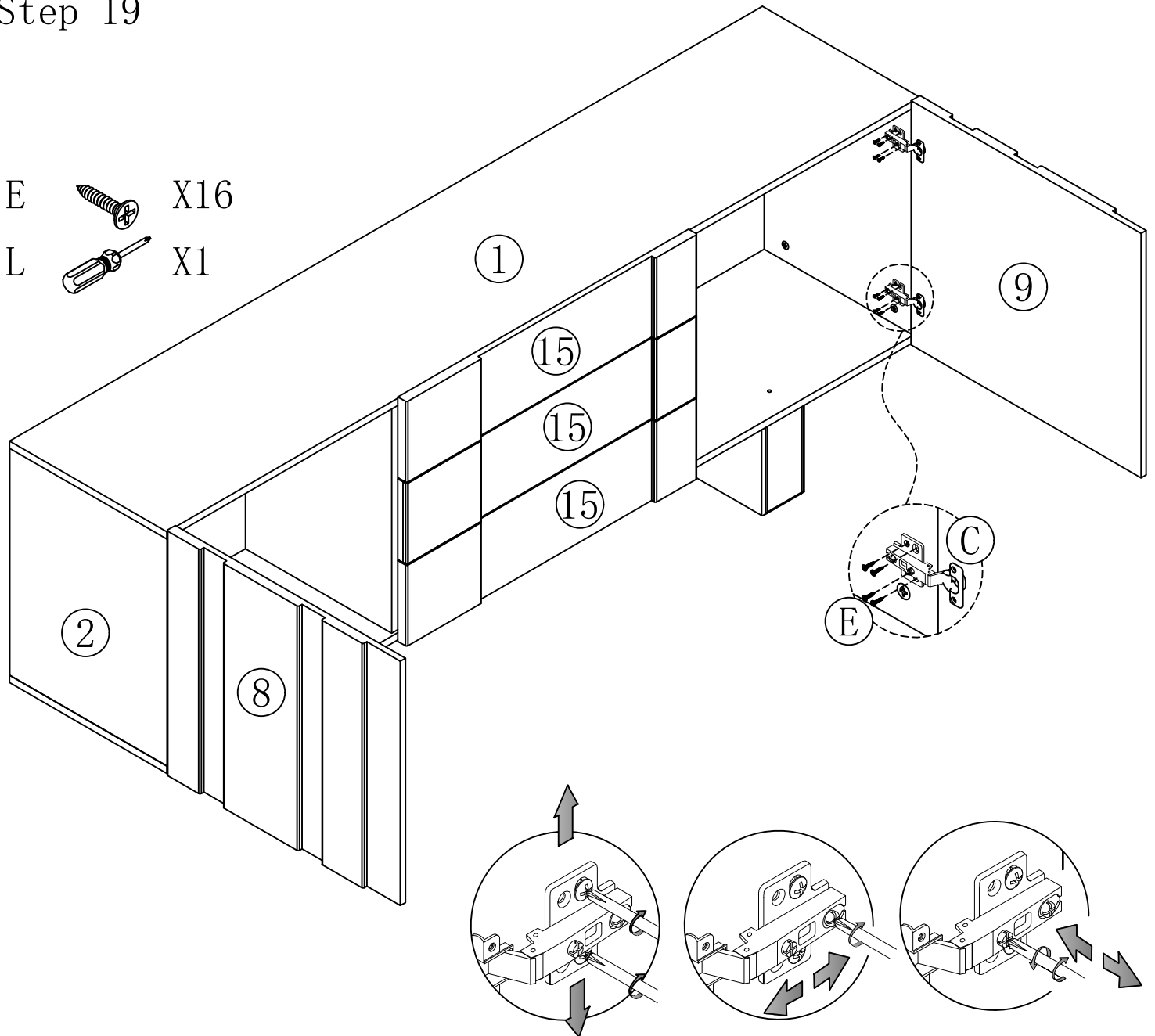



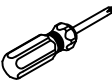
Step 18





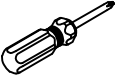
- C  X4
- E  X8
- L  X1

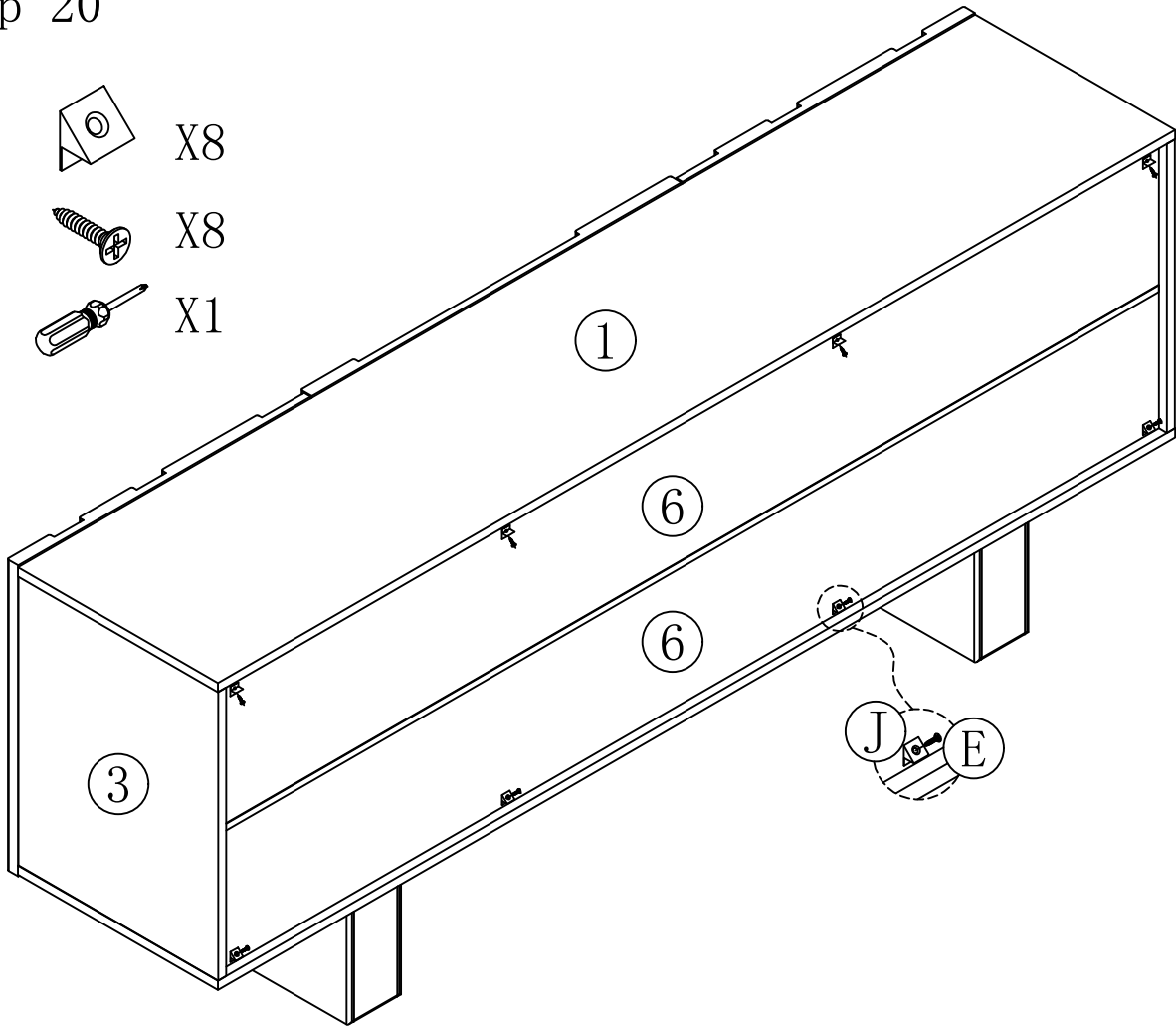
Step 19



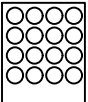
- E  X16
- L  X1

Step 20

- J  X8
- E  X8
- L  X1



Step 21

- K  X24

