

# ASSEMBLY INSTRUCTIONS



Fine Furniture for every stage of life

**CHAIR**

# ASSEMBLY INSTRUCTIONS

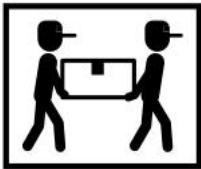
## ASSEMBLY TIPS:

- 1.Remove hardware from box and sort by size.
- 2.Please check to see that all hardware and parts are present prior to start of assembly.
- 3.Please follow attached instruction in the same sequence as numbered to assure fast & easy assembly.



### WARNING!

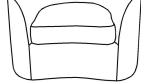
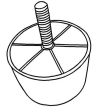
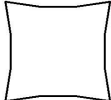
- 1.Don't attempt to repair or modify parts that are broken or defective. Please contact the store immediately.
- 2.This product is for home use only and not intended for commercial establishment.



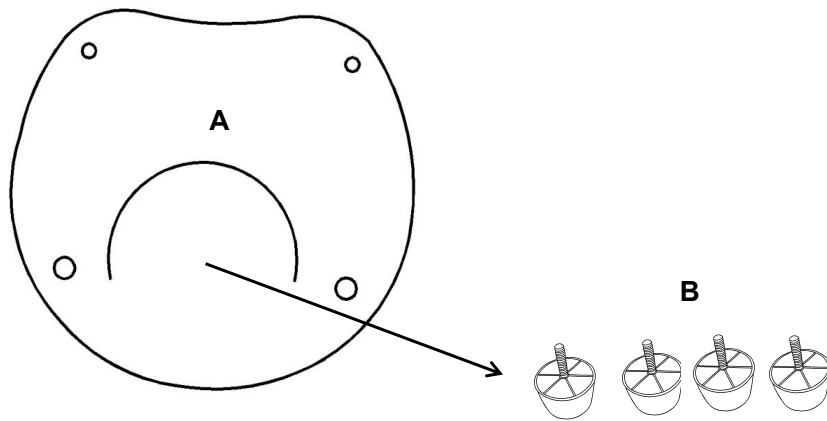
ASSEMBLY TIME

10 MINUTES

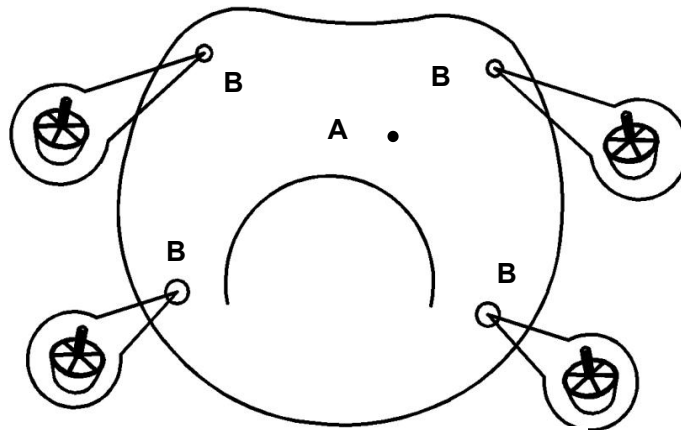
## PARTS IDENTIFICATION

A	CHAIR		1PC
B	LEG		4PCS
C	PATTERNED PILLOW		1PC

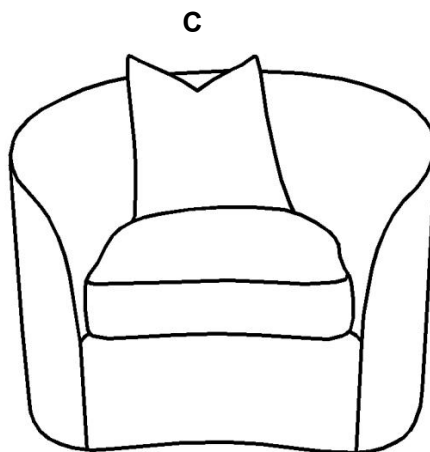
**ASSEMBLY INSTRUCTIONS**  
**STEP 1**

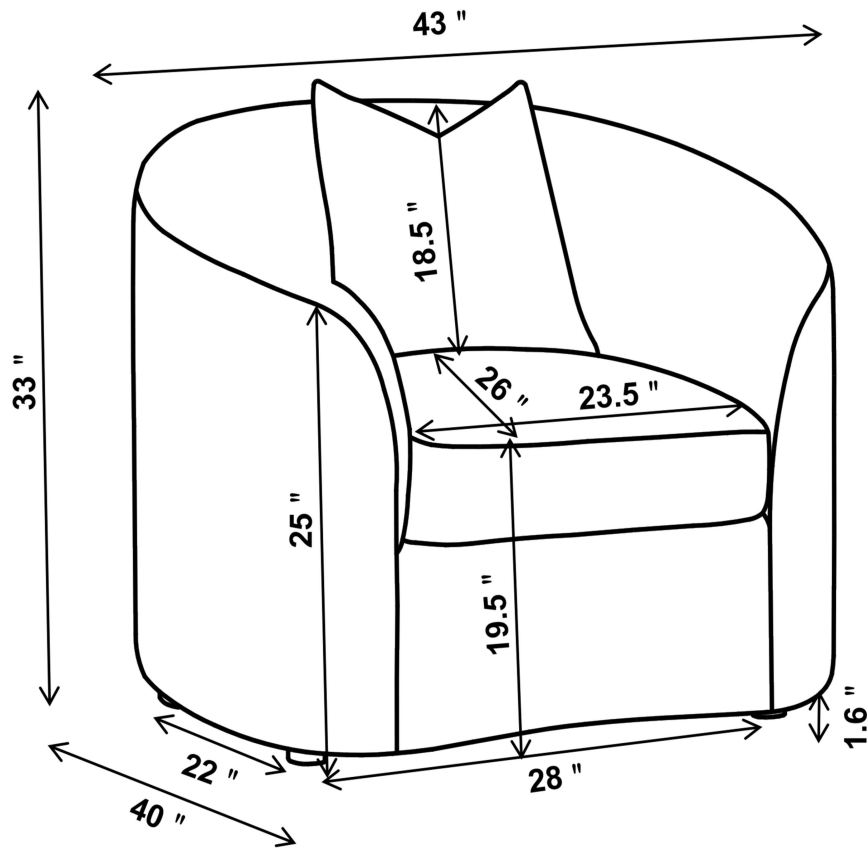


**STEP 2**



**STEP 3**





NOTE: Dimension tolerance  $\pm 5\%$

