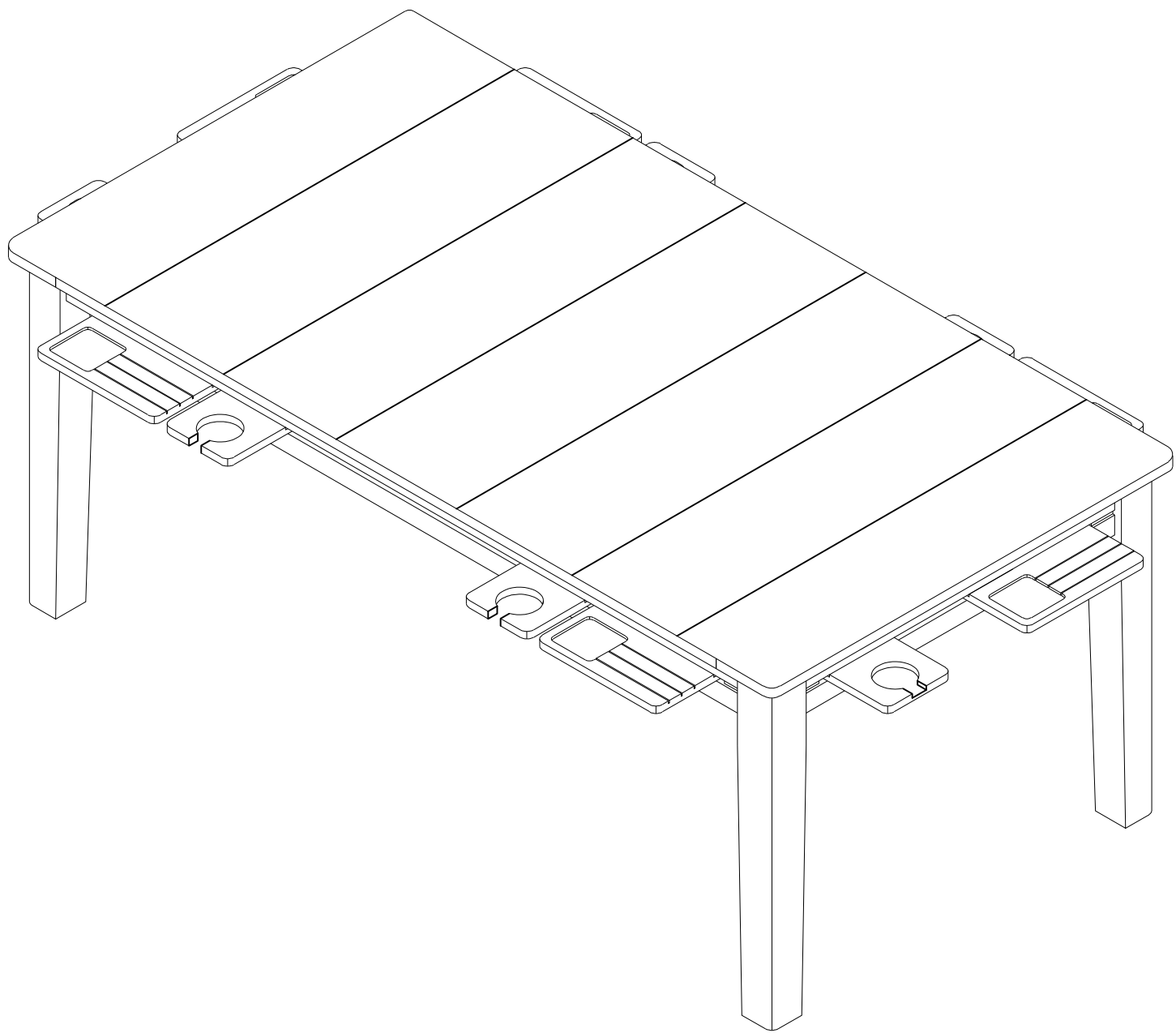


# Board Game Table



As this item contains many parts, please read the installation instruction carefully before installation. Please use tools properly and carefully. If you have any questions regarding the product or installation, please contact us. Our professional after-sales team will respond within 24 hours online

# Before You Start

People need for assembly:1-2

Read through each step carefully and follow the proper order

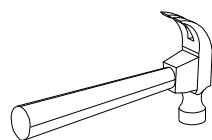
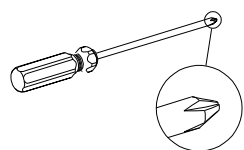
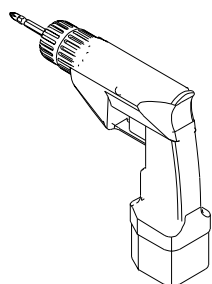
Separate and count all your parts

Give yourself enough room for the assembly process and hardware

You need the following tools: Power drill,Phillips head screwdriver

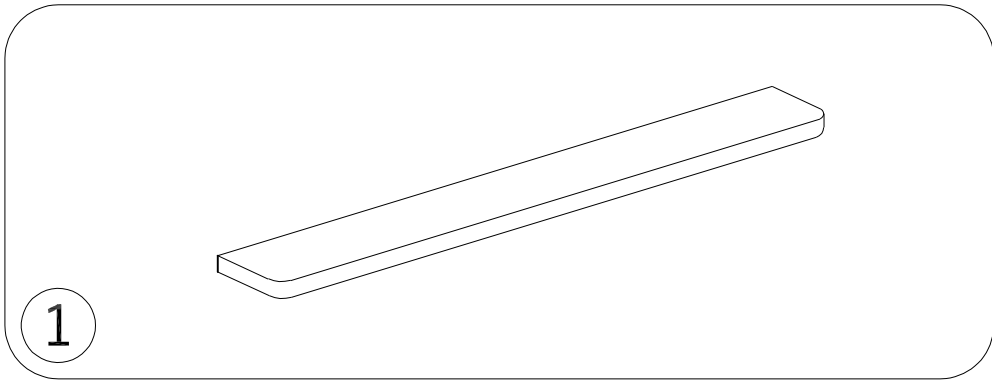
Caution: If using a power drill or power screwdriver for screwing. Please be aware of slowing down and stop when screw is tight. Failure to do so may result in stripping the screw.  
(Assembly speed can be increased by using electric screwdriver)

Caution: When flipping the table from legs-up to legs-down position during installation, always lift with two people to avoid crushing the legs

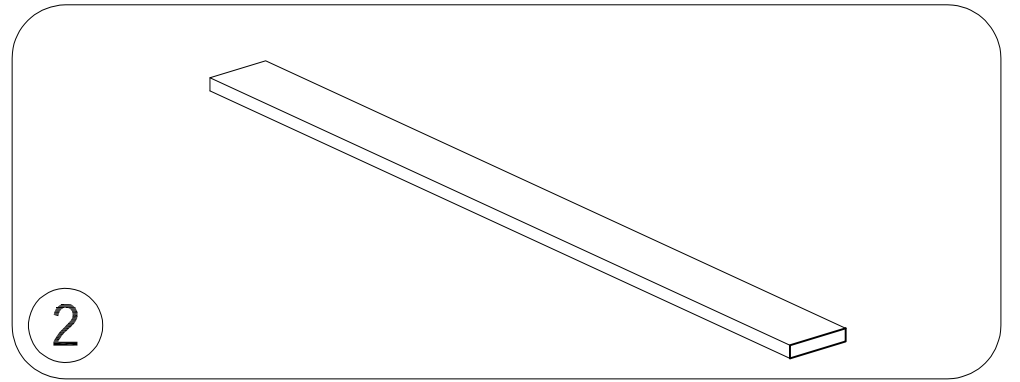


# PART LIST

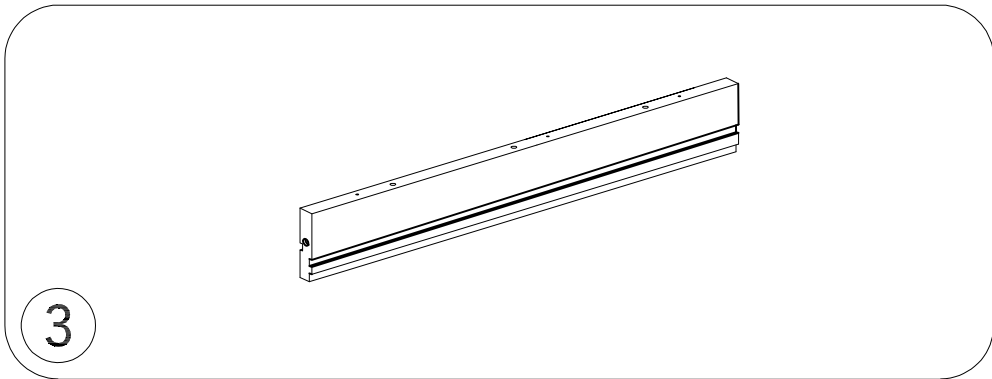
---



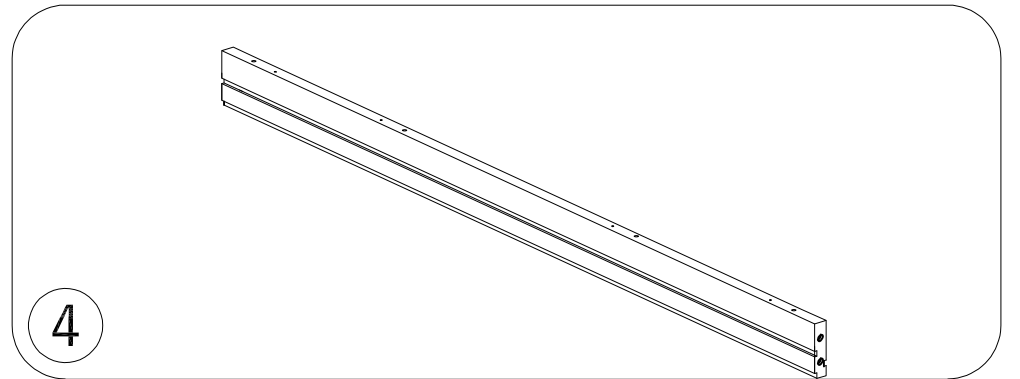
2PCS



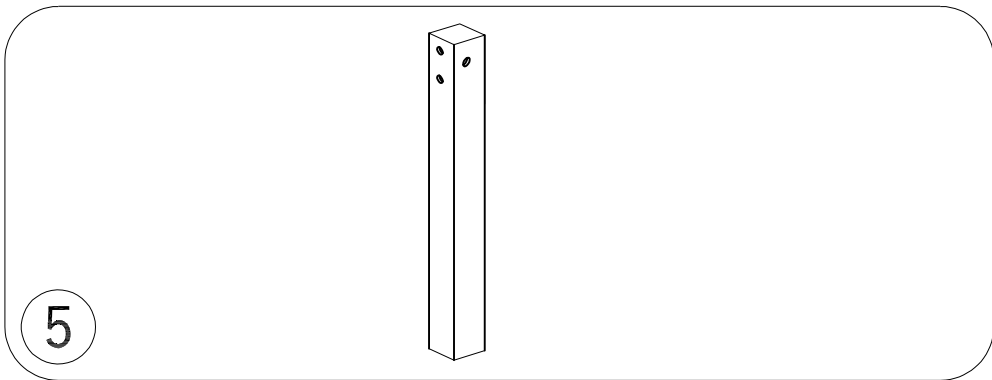
2PCS



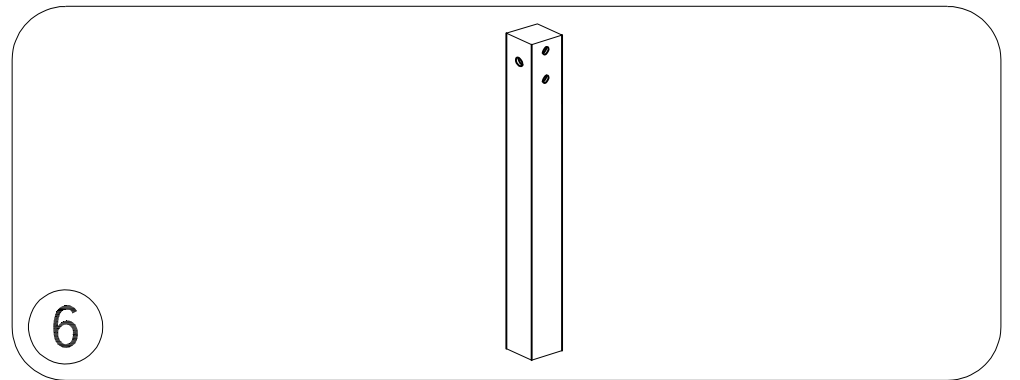
2PCS



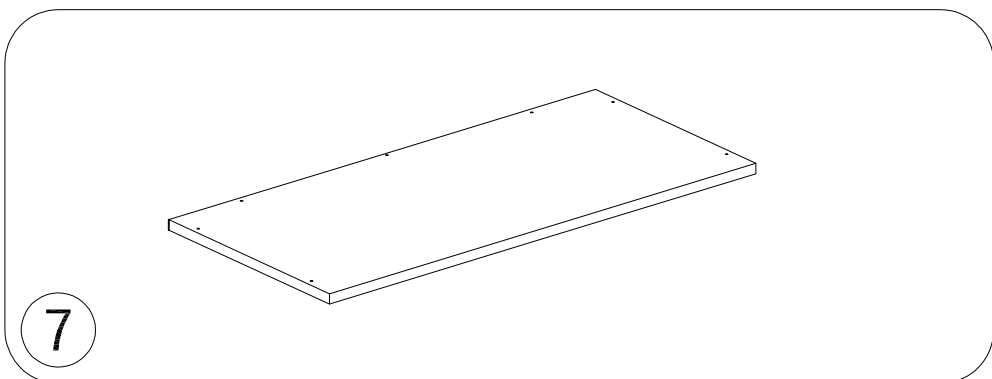
2PCS



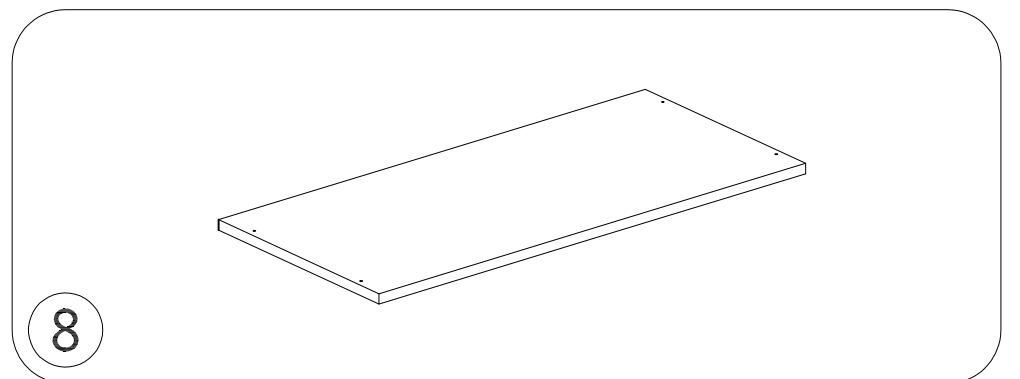
2PCS



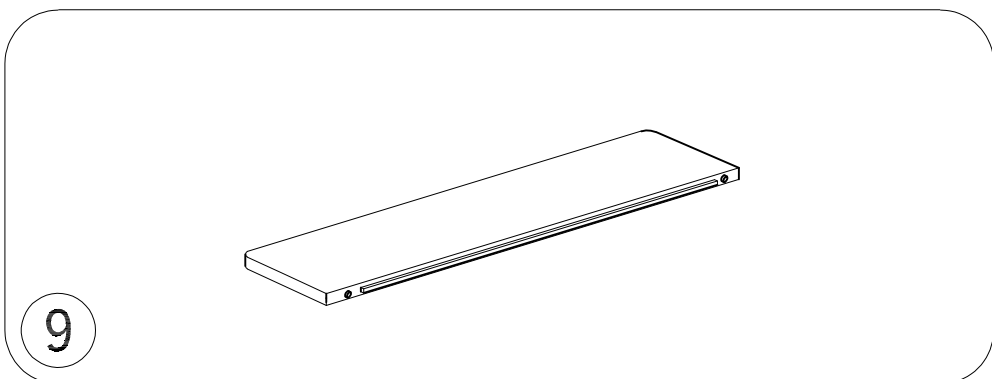
2PCS



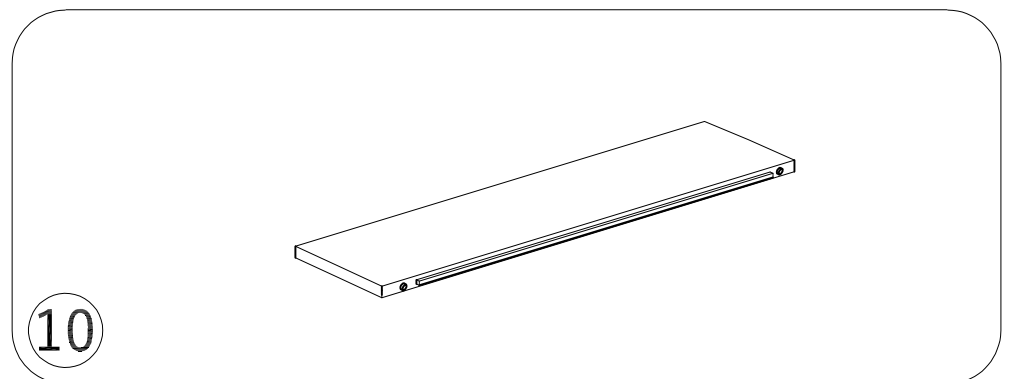
2PCS



3PCS



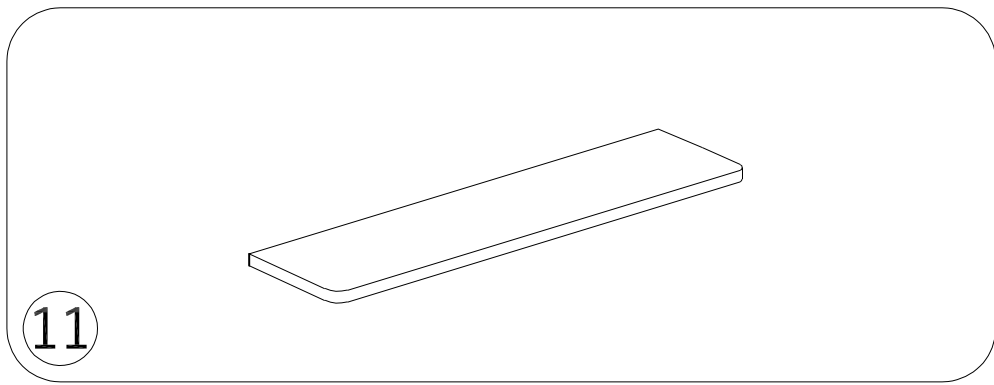
1PCS



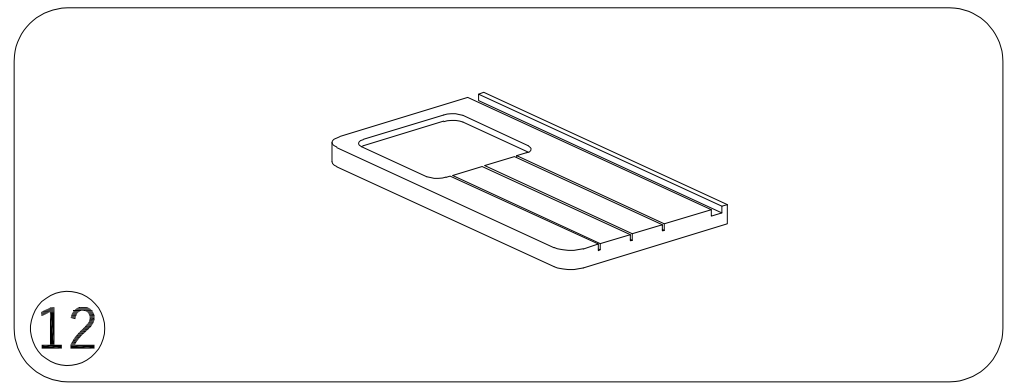
5PCS

# PART LIST

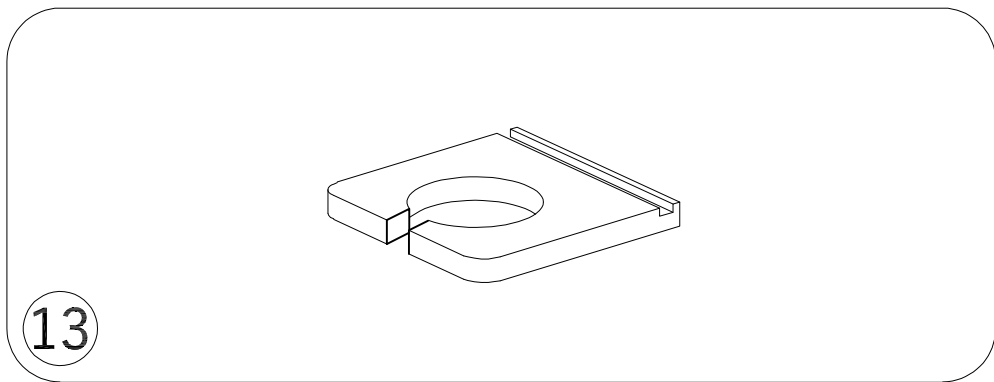
---



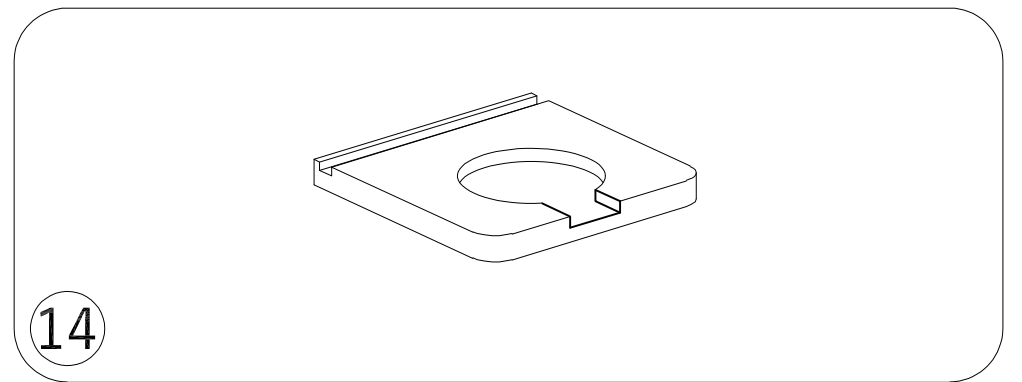
1PCS



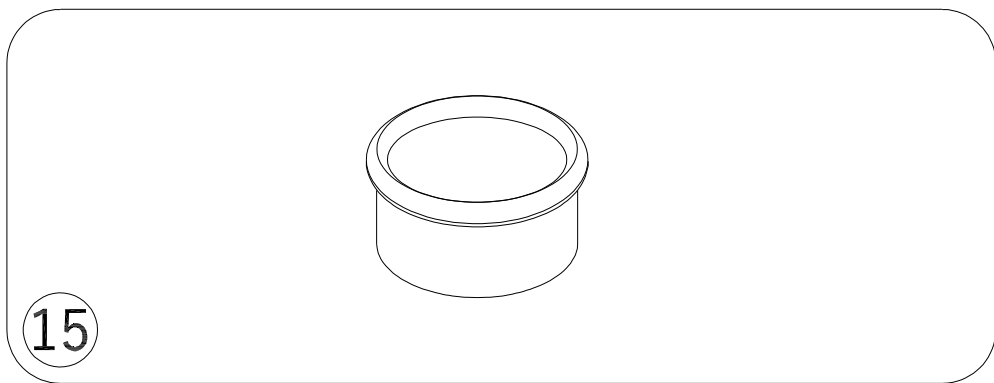
6PCS



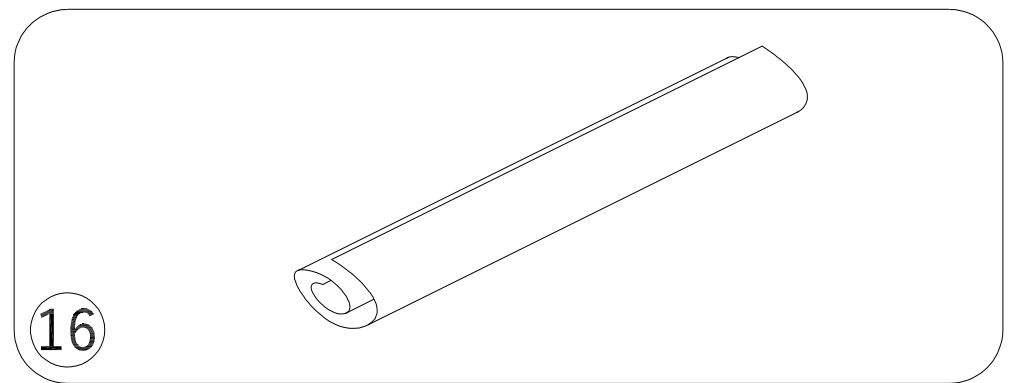
4PCS



2PCS

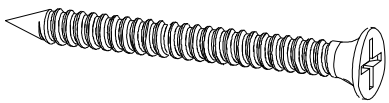


4PCS



1PCS

# HARDWARE LIST

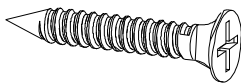


4X45

(A)

14+5PCS

Self tapping screws

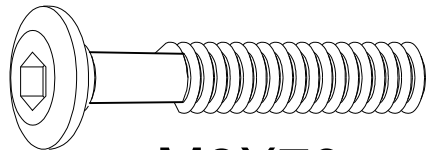


4X16

(B)

16+5PCS

Self tapping screws

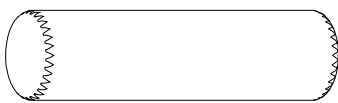


M8X70

(C)

12+1PCS

Flat head screws

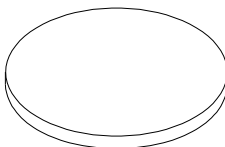


8x30

(D)

14+5PCS

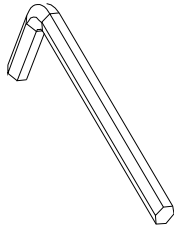
Wood screws



(E)

4+2 PCS

Foot pads



(F)

1 PCS

Allen key

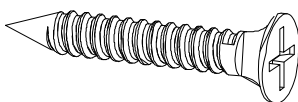


10X40

(G)

8+5PCS

Wood screws

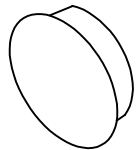


4X30

(H)

26+5PCS

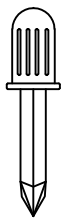
Self tapping screws



(J)

12+2PCS

Hole plug



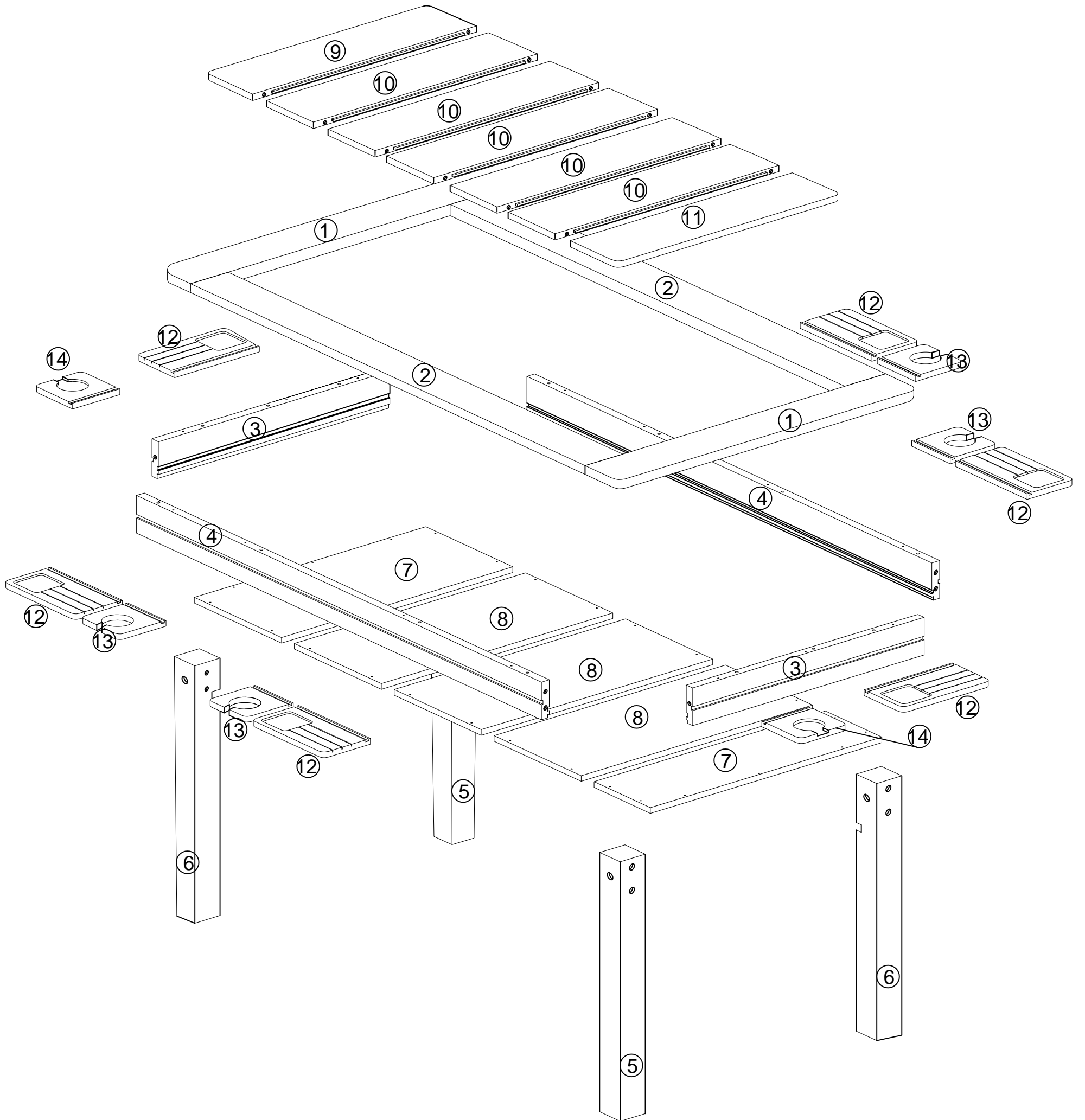
(K)

1PCS

screwdriver

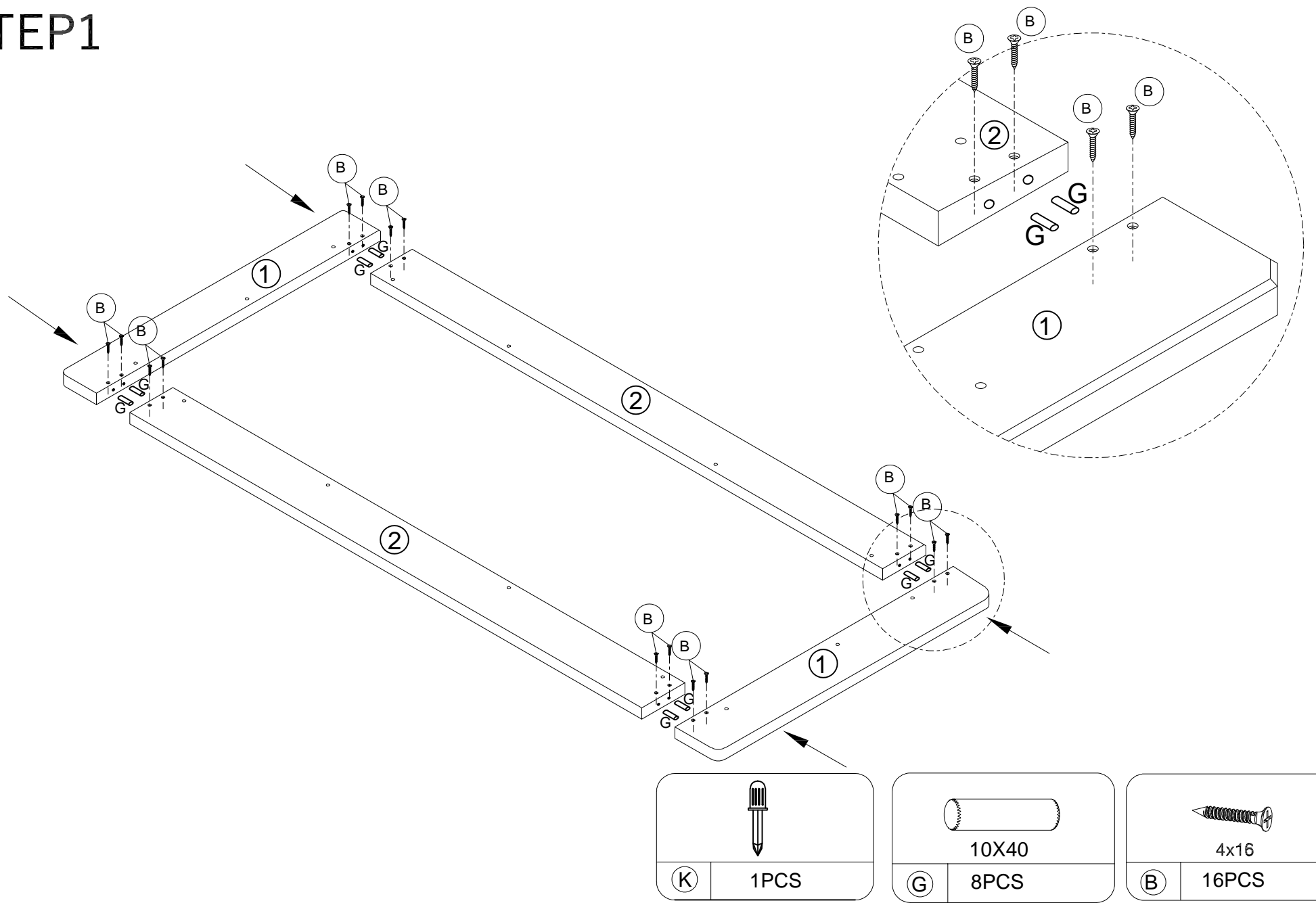
# EXPLODED VIEW

---

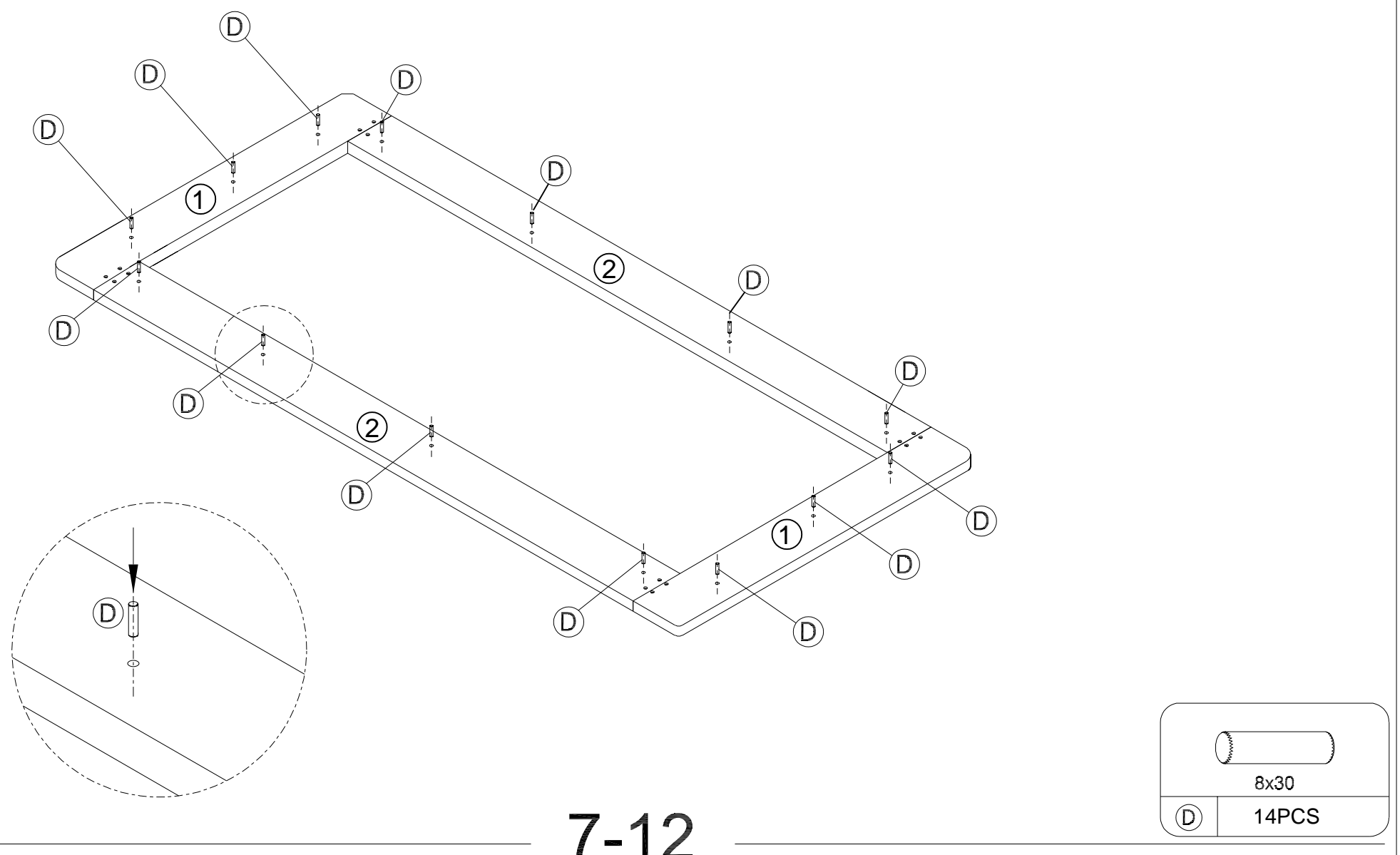


# INSTALLATION STEPS

## STEP 1

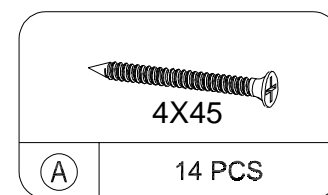
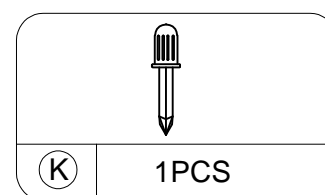
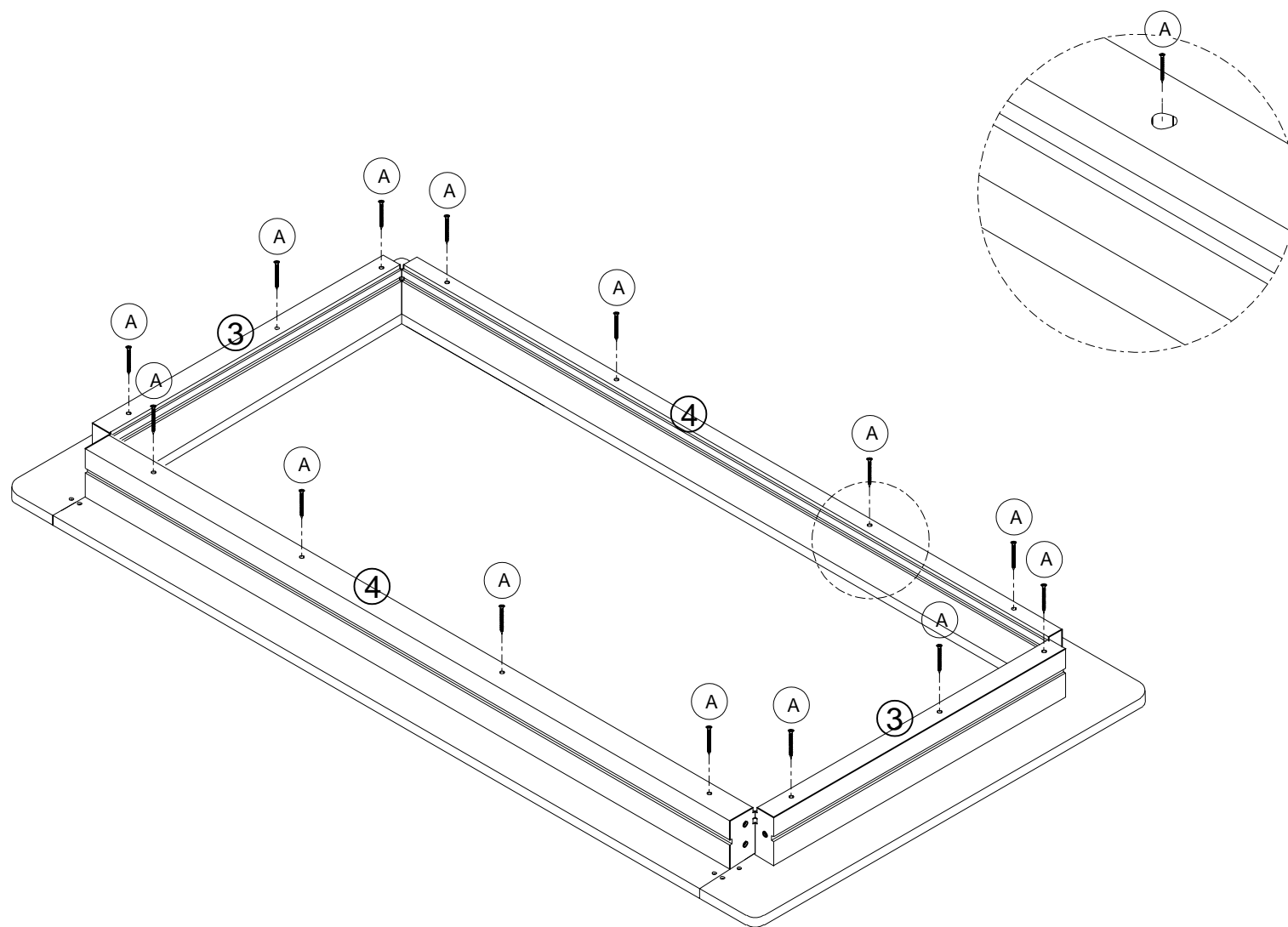


## STEP 2

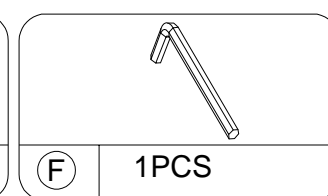
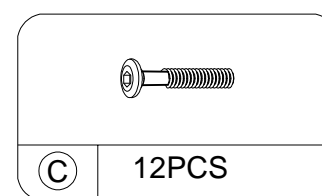
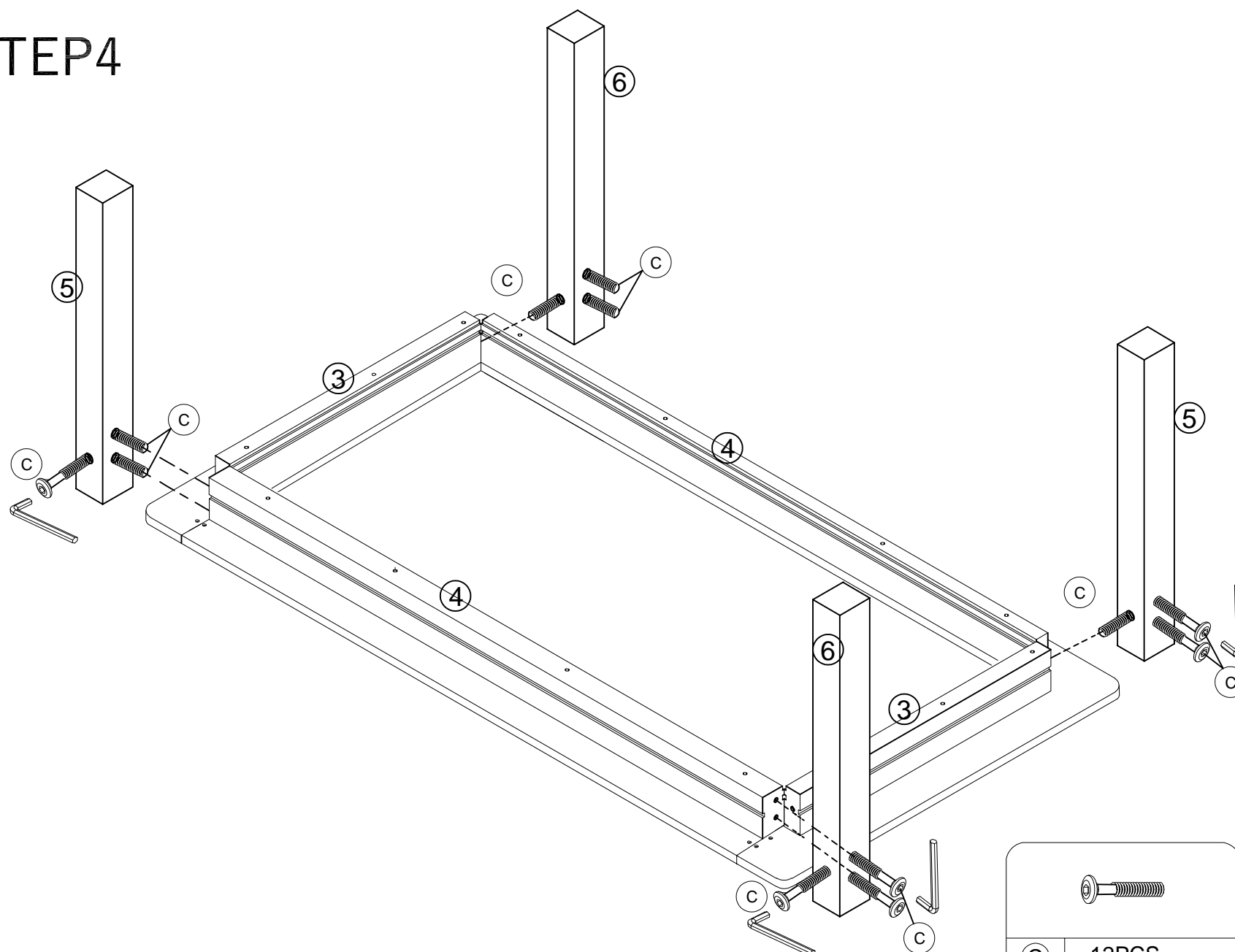


# INSTALLATION STEPS

## STEP 3

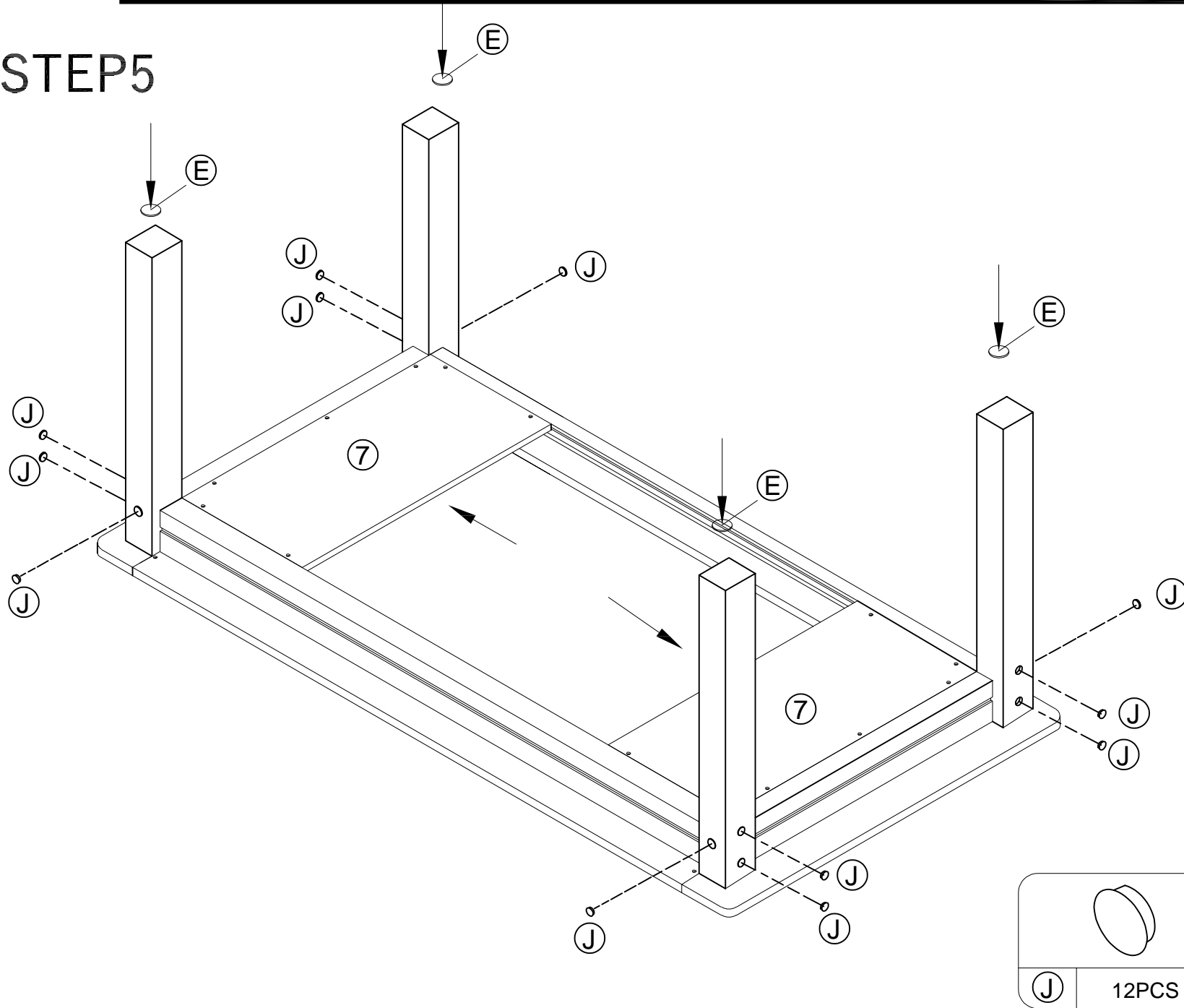


## STEP 4

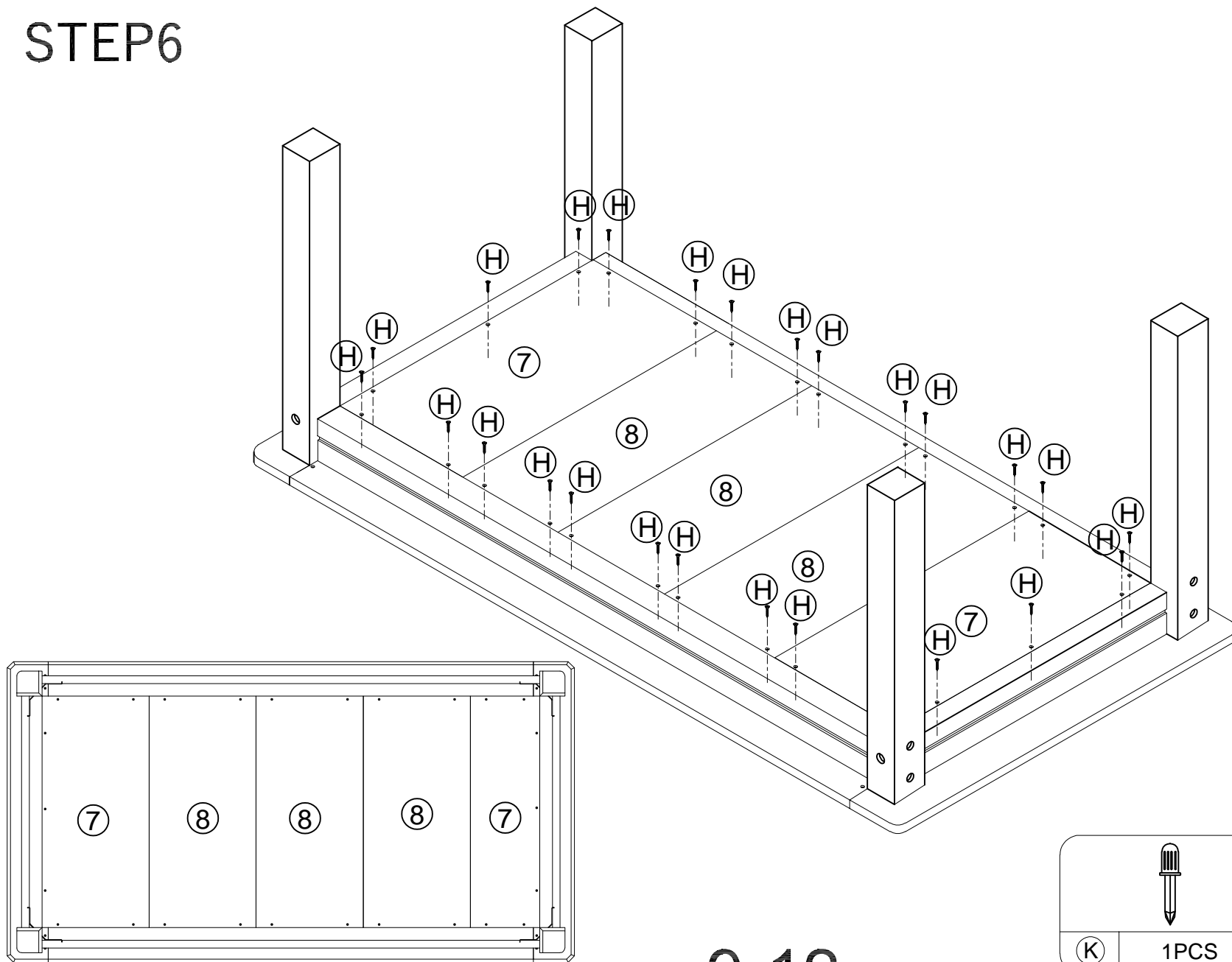


# INSTALLATION STEPS

## STEP 5



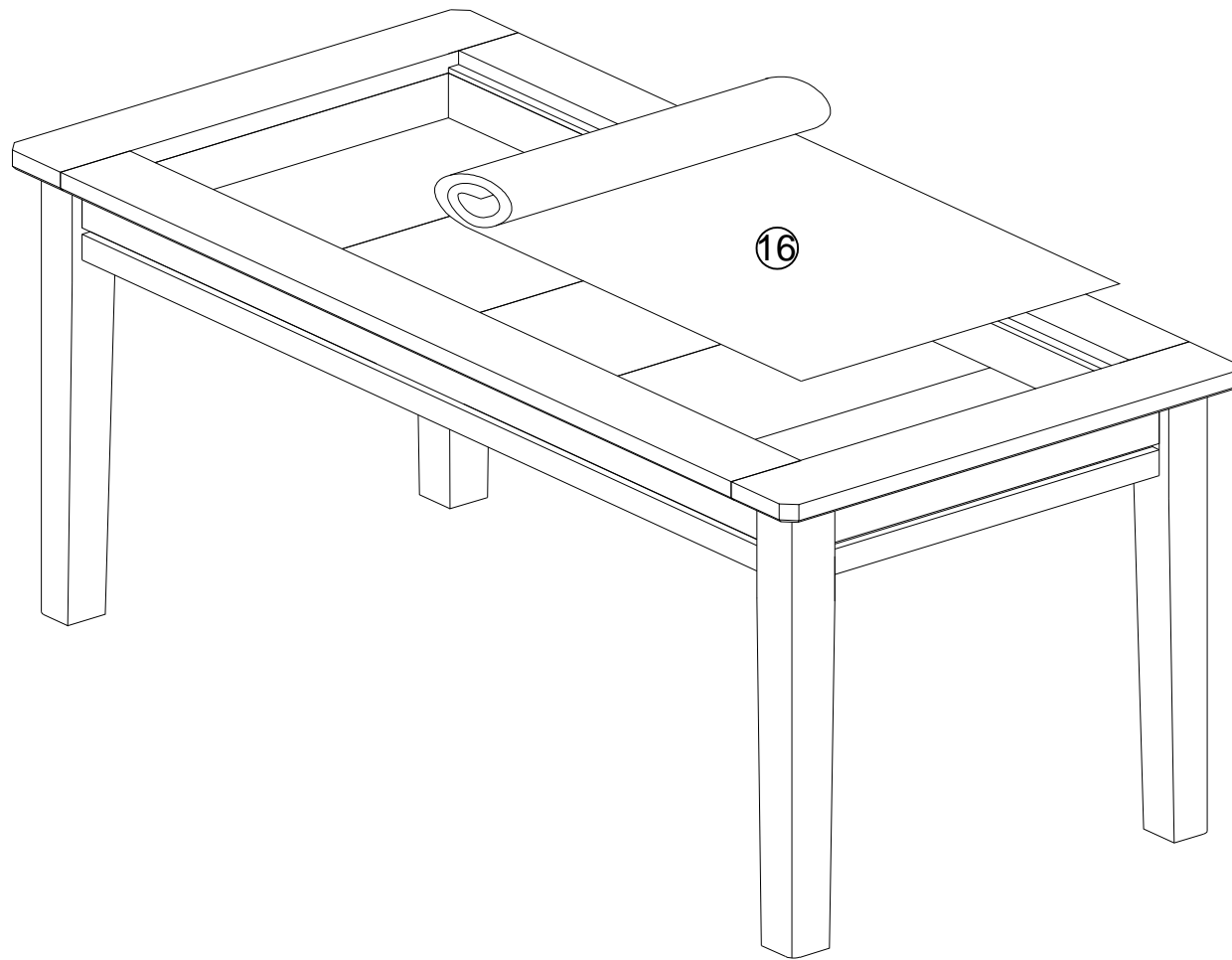
## STEP 6



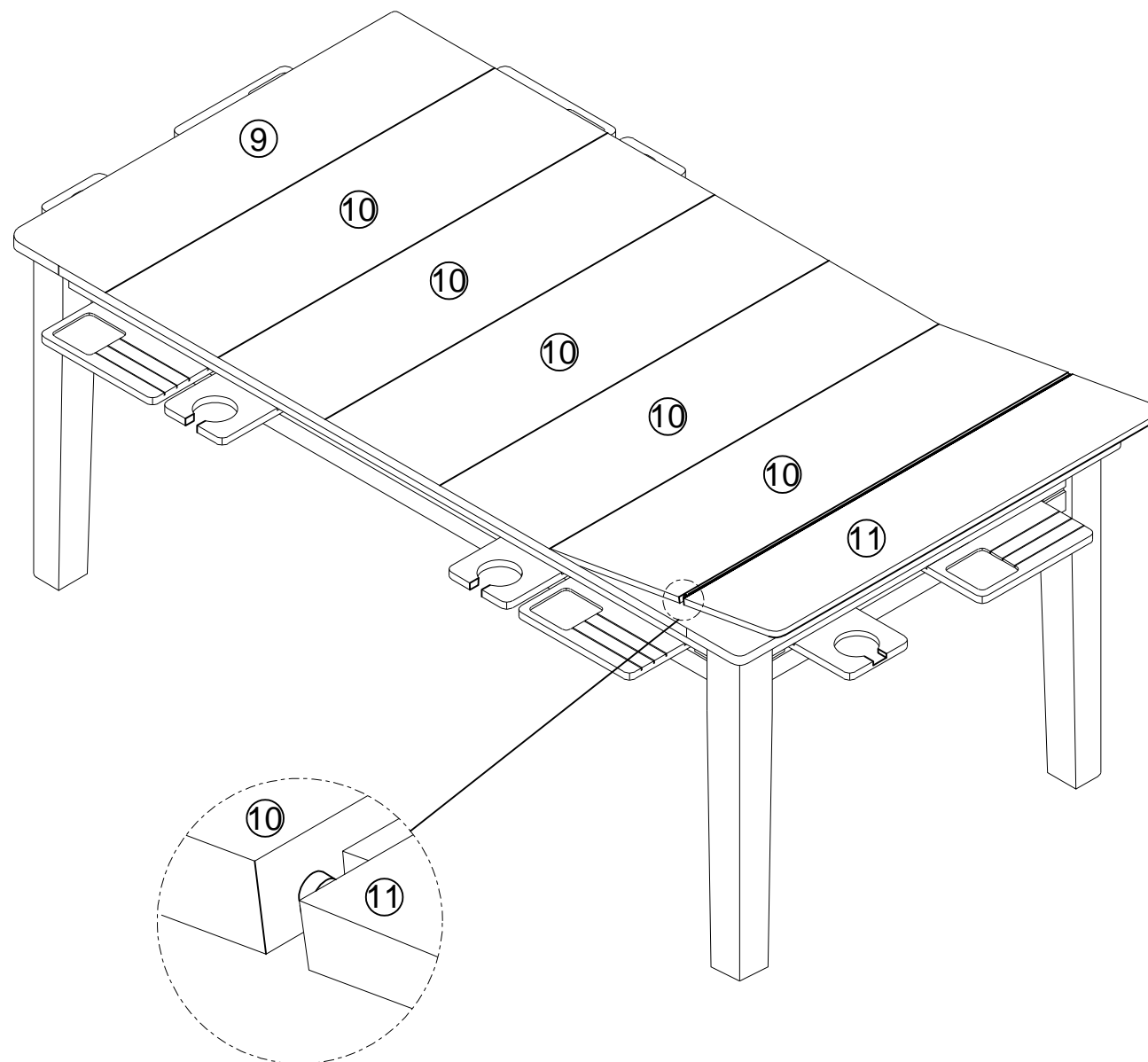
# INSTALLATION STEPS

---

## STEP 7



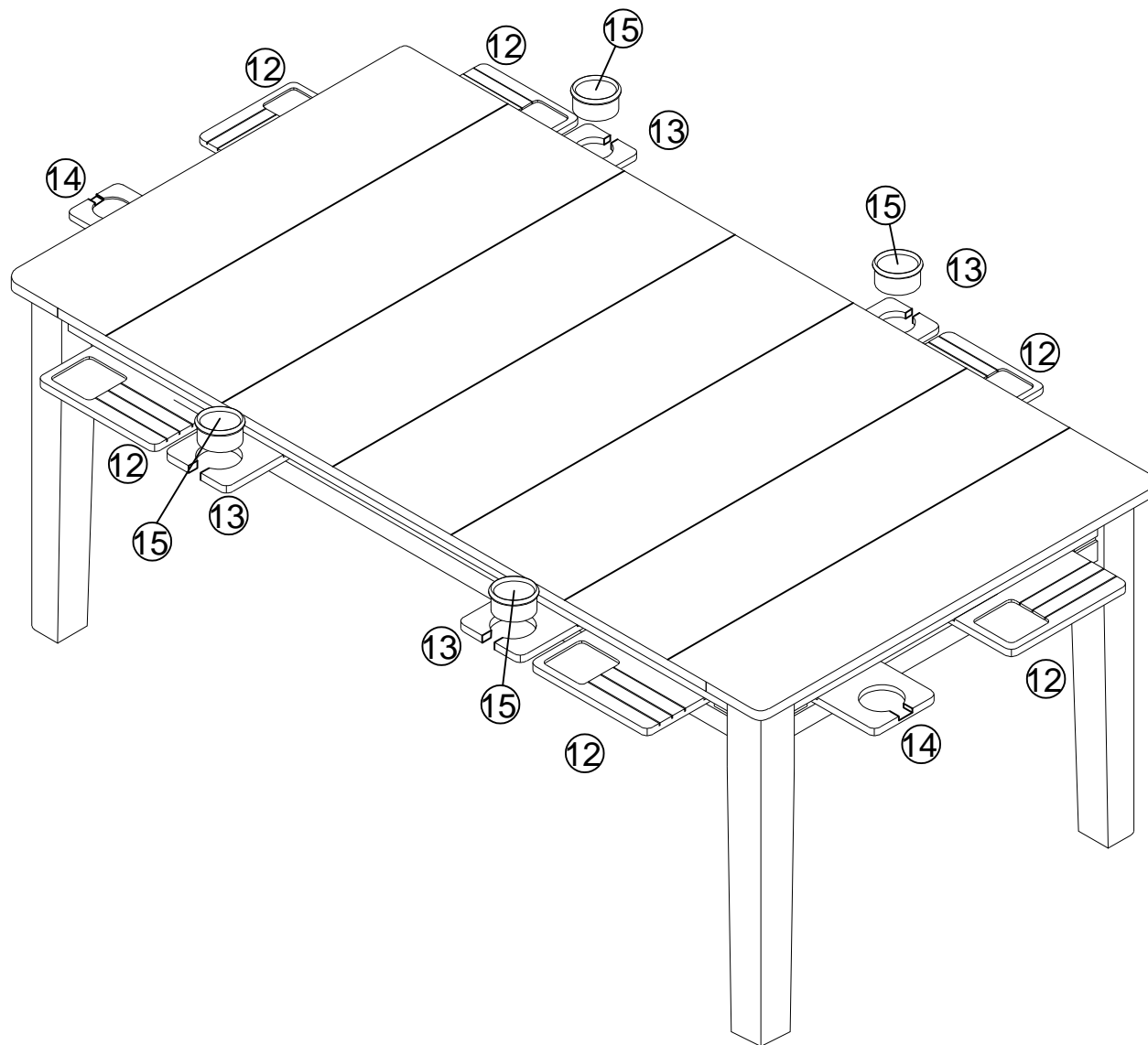
## STEP 8



# INSTALLATION STEPS

---

## STEP 9



---

## STEP 10

