
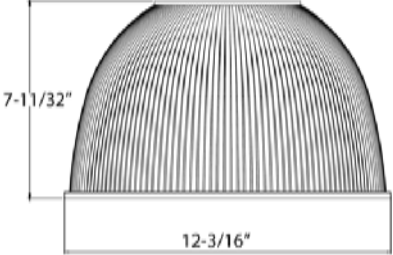
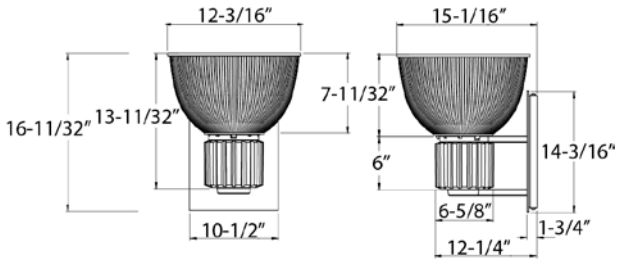




AW12-INC

ARCHITECTURAL WALL SCNCE 12" Medium Base Incandescent

Type	
Project	
Catalog No.	

 <p>AW12-INC</p>	 <p>Prismatic polycarbonate refractor shade (AP12S03)</p>	
---	--	--

DESCRIPTION

JESCO's Medium base Wall Sconce is precision engineered to provide a functional light source that can be customized to accommodate both residential and commercial space.

WALL MOUNT UNIT WITH SHADE

Die cast aluminum wall mount unit. Powder coat grey. Prismatic polycarbonate refractor.

AW12-INC – Medium base E26 socket

OPTIONAL ACCESSORIES

AP12A-L04: Prismatic conical lens

ELECTRICAL

Input 120VAC, 50/60Hz

Lamp 150W Max A21, Medium Base (sold separately)

LABELS

ETL and cETL Listed for use in dry or damp locations


WARRANTY

1 Years



ORDERING INFORMATION

Order Code:	WALL MOUNT WITH PRISMATIC POLYCARBONATE REFRACTOR SHADE	AW12-INC- AP12S03CP – Medium base wall mount unit with clear prismatic refractor shade
	OPTIONAL LENS ACCESSORY	AP12A-L04 – Prismatic Clear Conical Lens, Includes Aluminum Band for Lens Mounting

WALL SCNCE

	Part Number	Description
	AW12-INC	Wall mount unit with prismatic polycarbonate refractor shade

OPTIONAL ACCESSORIES

	Part Number	Description
	AP12A-L04	Prismatic clear conical lens
		Includes aluminum ring for lens mounting