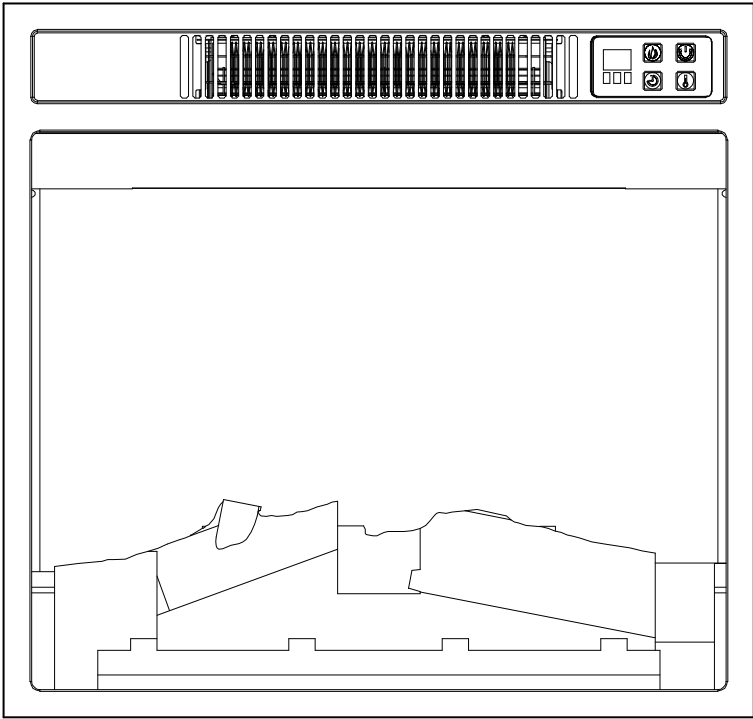


# INSTRUCTION MANUAL ELECTRIC FIREPLACE



Thanks for your purchase. Any questions please don't hesitate to contact us, We will handle all your problem ASAP. Your feedback is vital to us! And we will always try to do better. For more details, please contact us



# Table of Contents

Table of Contents . . . . .	2	Assembly . . . . .	4
Safety Information . . . . .	2-3	Operation . . . . .	5
Pre-installation . . . . .	3	Care and Maintenance . . . . .	6

# Safety Information

## IMPORTANT SAFETY INFORMATION

PLEASE READ ALL OF THE INFORMATION IN THIS OPERATING MANUAL, INCLUDING ALL SAFETY, OPERATING, AND MAINTENANCE INFORMATION. TO AVOID THE POTENTIAL RISK OF FIRE, ELECTRIC SHOCK, OR INJURY TO PERSONS, USERS SHOULD FOLLOW THE DIRECTIONS AND WARNINGS IN THIS MANUAL.

1. Read all instructions before using this heater.
2. Do not use this heater outdoors.
3. This heater is not intended for use in bathrooms, laundry areas and similar indoor locations. Never locate the heater where it may fall into a bathtub or other water container.
4. Do not run the power cord under carpeting. Do not cover the power cord with throw rugs, runners, or the like. Arrange the power cord away from traffic areas and where it will not be tripped over.
5. To disconnect the heater, turn controls to off, then remove the plug from the outlet.
6. Connect to properly grounded outlets only. Always plug heaters directly into a wall outlet/receptacle. Never use with an extension cord or reloadable power tap (outlet/power strip).
7. To prevent a possible fire, do not block firebox air intakes or the exhaust in any manner. Do not operate the firebox on soft surfaces, like a bed, where openings may become blocked.
8. There is a thermostat limiter inside the heater. When the inner temperature over heats or abnormal heating occurs, the thermostat protective device cuts off the power supply to avoid fireplace damaged or risk of fire.
9. Use this heater only as described in this manual. Any other use not recommended by the manufacturer may cause fire, electrical shock, or injury to persons.

## SAVE THESE INSTRUCTIONS



**WARNING:** There are no user serviceable parts inside the fireplace/heater. If the unit appears to malfunction, turn the unit off and unplug the unit from the wall immediately, and contact Customer Service.



**WARNING:** This heater is hot when in use. To avoid burns, do not let bare skin touch hot surfaces. If provided, use handles when moving this heater. Keep combustible material, such as furniture, pillows, bedding, papers, clothes and curtains at least 3 ft. (0.9 meters) from the front of the heater and keep them away from the sides and rear.



**WARNING:** Extreme caution is necessary when any heater is used by or near children or invalids and whenever the heater is left operating and unattended.



**WARNING:** Always unplug the heater when not in use.



**WARNING:** Do not operate any heater with a damaged cord or plug or after the heater malfunctions, has been dropped or damaged in any manner. Return the heater to an authorized service facility for examination, electrical or mechanical adjustment, or repair.



**WARNING:** Do not insert or allow foreign objects to enter any ventilation or exhaust openings as this may cause an electric shock or fire, or damage the heater.



**WARNING:** A heater has hot and arching or sparking parts inside. Do not use in areas where gasoline, paint, or flammable liquids are used or stored.



**CAUTION:** While the heater is in use, the top center of the fireplace can get hot to the touch, and may cause serious injury or burns. Always supervise small children around the fireplace/heater. Do not place any cloth or decorations over the heater outlet of the fireplace, or otherwise obstruct the heater outlet of the fireplace, as this may cause a fire and serious injury may result.

# Safety Information (continued)

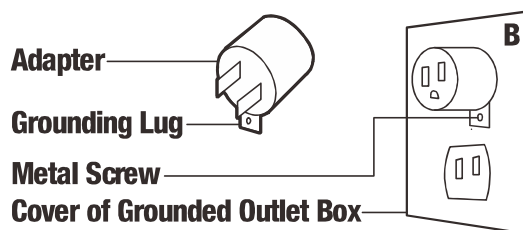
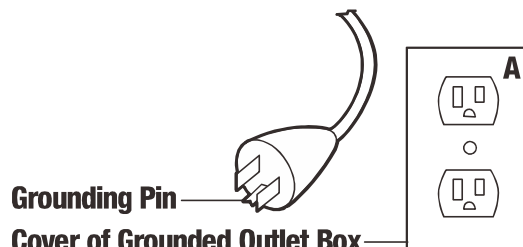
## GROUNDING INSTRUCTIONS



**DANGER:** Improper connection of the equipment-grounding conductor can result in a risk of electric shock. Check with a qualified electrician or serviceman if you are in doubt as to whether the product is properly grounded. Do not modify the plug provided with the product. If it will not fit the outlet, have a proper outlet installed by qualified electrician.

This product must be grounded. If it should malfunction or breakdown, grounding provides a path of least resistance for electric current to reduce the risk of electric shock. This product is equipped with a cord having an equipment-grounding conductor and a grounding plug. The plug must be plugged into an appropriate outlet that is properly installed and grounded in accordance with all local codes and ordinances.

This heater is for use on 120 volt circuits and has a grounded plug. An adapter is available for connecting three-blade grounding type plugs to two-slot receptacles. The green grounding lug extending from the adapter must be connected to a permanent ground such as a properly grounded outlet box. The adapter should not be used if a three-slot grounded receptacle is available.



## Pre-installation

### ELECTRICAL SPECIFICATIONS

- Voltage: 120 VAC, 60 Hz
- Watts: 1400 Watts

### PACKAGE CONTENTS

#### TOOLS REQUIRED



Phillips  
screwdriver  
(not provided)

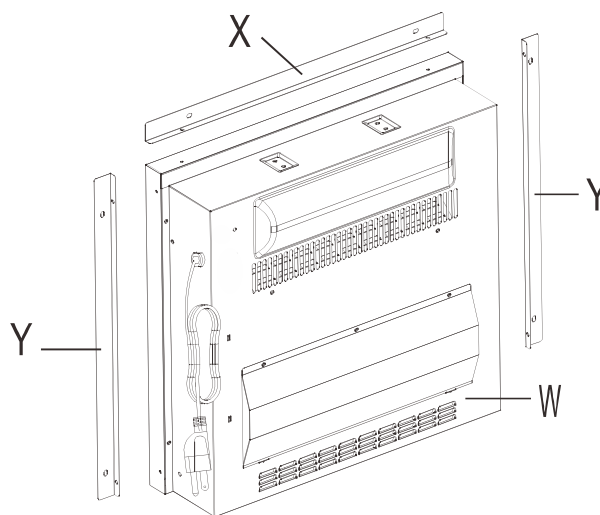
#### HARDWARE INCLUDED



NOTE: Hardware not shown to actual size.



18



Part	Description	Quantity
18	Screw	12 + 3 extra

Part	Description	Quantity
W	Fireplace Insert	1
X	Top Trim	1
Y	Side Trim	2

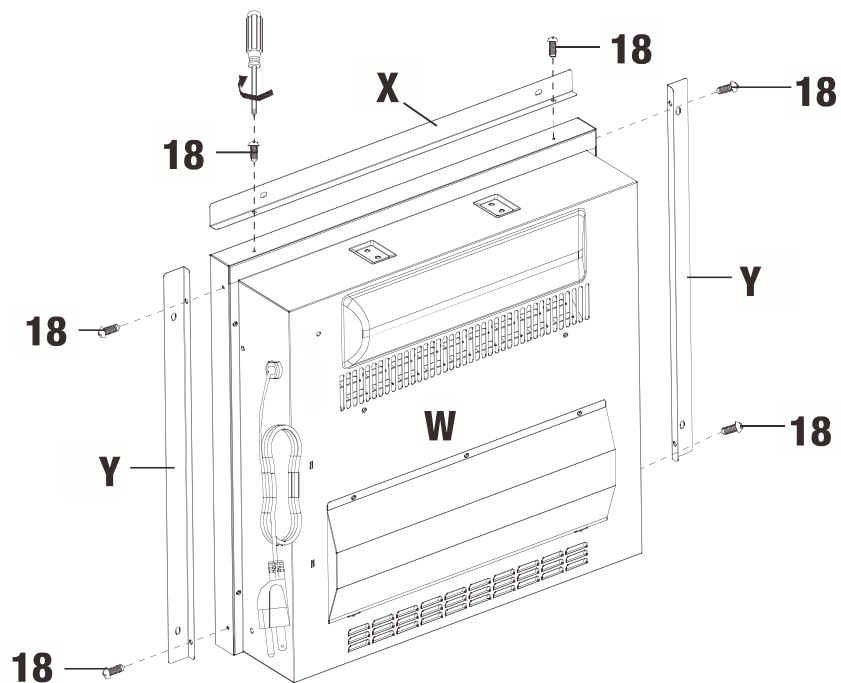


This insert has front panel made of GLASS! ALWAYS use extreme caution when handling glass. Failure to do so could result in personal injury or property damage.

## Assembly

### Attaching the metal trims

- Fasten the top trim (X) to the top of the fireplace insert (W) with two screws (18). Make sure that the right angle side points towards the front of the unit.
- Align and attach two side trims (Y) to both sides of the fireplace insert (W) respectively with the right angle side facing the front of the unit, using two screws (18) per trim.



# Operation



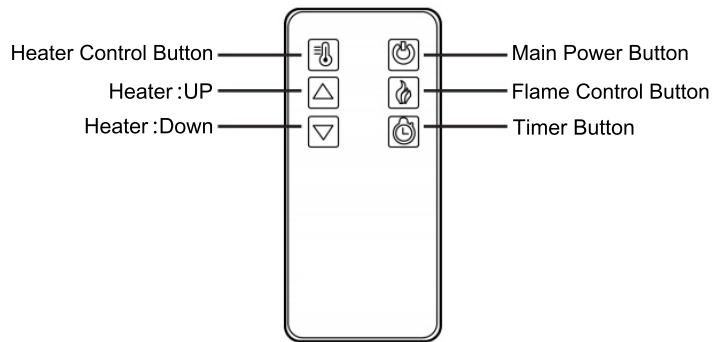
NOTE: When the heat function is used for the first time, a slight odor may be present. This is normal and should not occur again unless the heater is not used for an extended period of time.

## Using the Control Panel

- Check that the heater outlet grill is not covered or obstructed in anyway, and make sure the power to the unit is switched on.
- The fireplace can be accessed in two ways: Using the touchpad control panel, or using the multifunction remote control unit.
- Press the appropriate button to operate your fireplace:
  1. **Main Power Button:** This button supplies power to all of the fireplace functions. It must be turned on for the fireplace to work.
  2. **Heater Control Button:** This button controls the heater ON/OFF. When the temperature unit is set as “F” or “C”, the temperature scope is as follows:
 

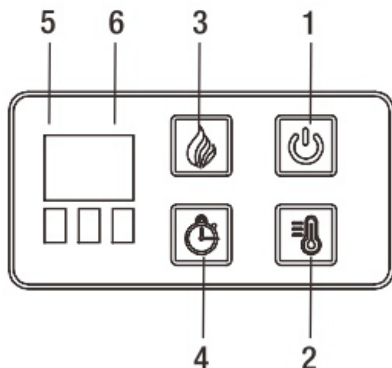
“F”= Fahrenheit temperature 82°F, 81°F, 80°F, 79°F, 78°F, 77°F, 76°F, 75°F, 74°F, 73°F, 72°F, 71°F, 70°F, 69°F, 68°F, 67°F, 66°F, 65°F, 64°F, 63°F, 62°F.

“C”= Celsius temperature 27°C, 26°C, 25°C, 24°C, 23°C, 22°C, 21°C, 20°C, 19°C, 18°C, 17°C.
  3. **Flame Control Button:** This button controls the brightness of the flame effect with settings at High (L3), Medium (L2), and Low (L1). When the log set is first turned on, the flame will come on at the highest setting. The log set will remember the last flame setting used and in later use the flame brightness will start at that setting, unless power to the unit has been interrupted. Each time the flame button is pressed, the flame brightness decreases. The only way to turn off the flame effect completely is to turn off the main power button (1).



4. **Timer Button:** This button controls the ON/OFF and 7-time setting from 30 minutes to 6 hours. When the Timer is first turned on, it will come on at the shortest time setting (30 minutes). Each time the Timer button is pressed, the time increases 1 hour, up to the longest setting (6 hours). Once the set time expires, all fireplace functions will be automatically turned off.
5. **Fahrenheit/Celsius Display:** This button displays F (Fahrenheit) or C (Celsius) depending on how the temperature mode is set. When the heater is on, press and hold the Power Button for 5 seconds. The display will beep and switch between Fahrenheit and Celsius. The fireplace will remember the last heat setting, and in later use, the heater will start at that setting, unless power to the unit has been interrupted.

**Temperature/Timer Display:** This LED display shows the set point for the temperature and timer functions. When either of these functions is activated, the display reflects the set point for five seconds and then fades to black. Any change in the set point of the temperature or timer will reactivate the display, which again fades after five seconds.



## Care and Maintenance



**WARNING:** Always disconnect from the power supply before cleaning the heater. First turn off the main power. Then remove the electrical plug from the wall outlet.



**WARNING:** Do not use this fireplace insert if any part of it has been under water. Immediately call a qualified service technician to inspect the firebox and replace any part of the electrical system which has been under water.

The blower motor and flame motor are pre-lubricated and need no further lubrication or maintenance. Use the soft brush attachment of a vacuum cleaner to remove accumulation of dust or fluff from the outlet grille of the fan heater.

- Use a soft, clean cloth that will not scratch the surface when dusting.
- Use a clean soft cloth dampened with warm water to clean the fireplace surface. DO NOT use household or abrasive cleaners, as these products may damage the surface.
- When cleaning the glass viewing screen use a non-abrasive damp cloth with liquid cleaner or soft soap if necessary; DO NOT use cleaning powders or any other substance with abrasives since these substances will scratch glass.
- Under no circumstances should this product be operated with a broken or chipped glass panel.
- Do not strike or slam the glass.
- In the event that your appliance is stained or otherwise damaged during use, we recommend that you call a professional to repair your furniture.
- When not in use please unplug the cord from the outlet to prevent any damage or accidental plug of the cord.