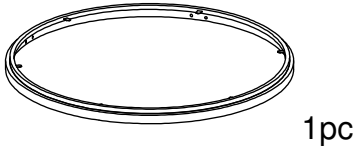


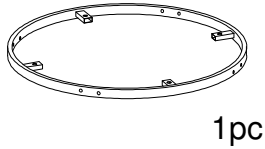
# ASSEMBLY INSTRUCTION

## BLACK GLASS TOP ROUND COFFEE TABLE

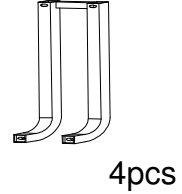
**1** Top Frame



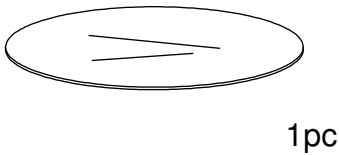
**2** Bottom Frame



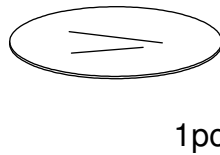
**3** Leg



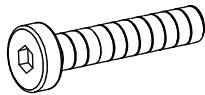
**4** Glass Top



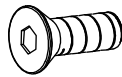
**5** Glass Shelf



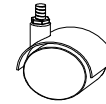
**A** Screw 1/4"x1-1/2"



**B** Screw 1/4"x1-1/4"



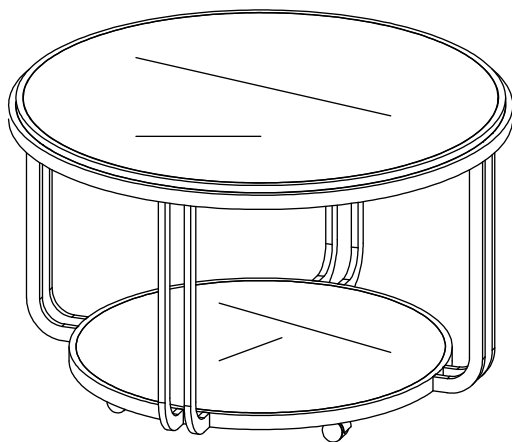
**C** Caster



**D** Glass Pad



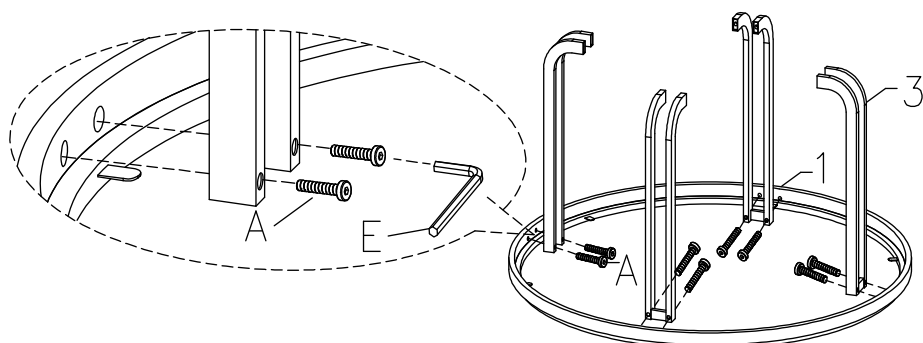
**E** Allen Wrench



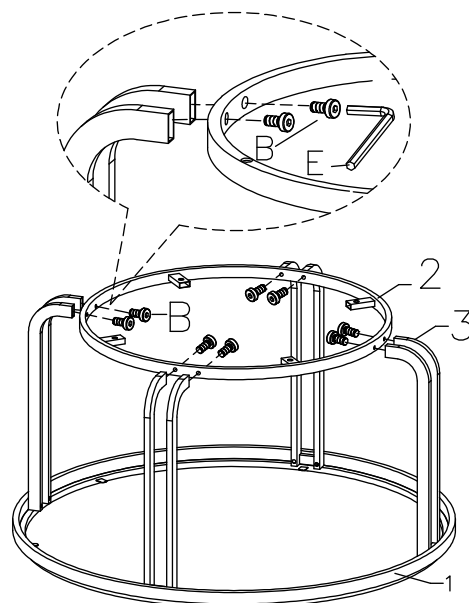
This page lists all the contents included in the box. Please take the time to identify the hardware as well as the individual components to this product. As you unpack and prepare for assembly, place the contents on a carpeted or padded area to protect them from damage.

**\*\*\* Do not tighten screws & bolts until the entire unit is completely assembled.**

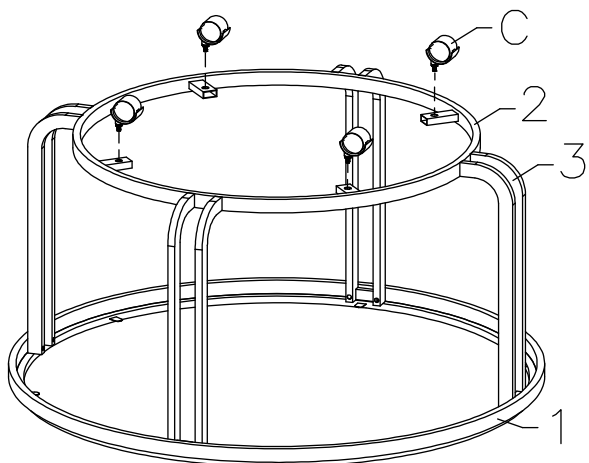
**1** Attach leg (3) to top frame (1) by using screw (A) and allen wrench (E) as shown.



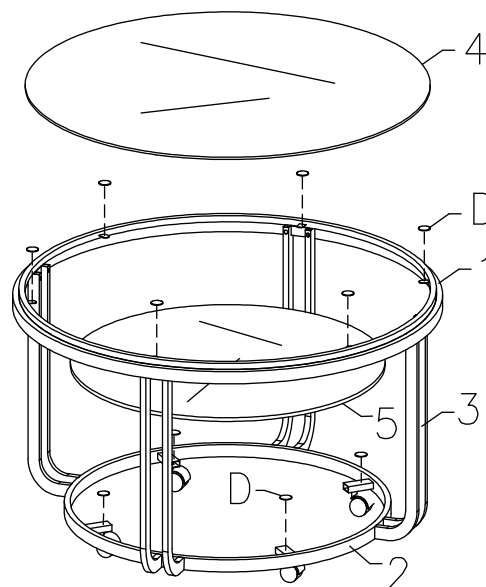
**2** Then attach bottom frame (2) to leg (3) by using screw (B) and allen wrench (E) then tighten all screws firmly.



**3** Attach caster (C) to the bottom frame (2) as shown.



**4** Turn the unit upside down and put glass pad (D) onto the bottom frame (2) and top frame (1) as shown, then put on glass shelf (5) and glass top (4). The assemble is complete.



### Cleaning & Care

Treat surface with care. Surface is resistant to scratches but is not scratch resistant. Clean surfaces with a dry or damp soft cloth. Do not use abrasive cleaners. Hardware may loosen over time. Periodically check that all connections are tight.