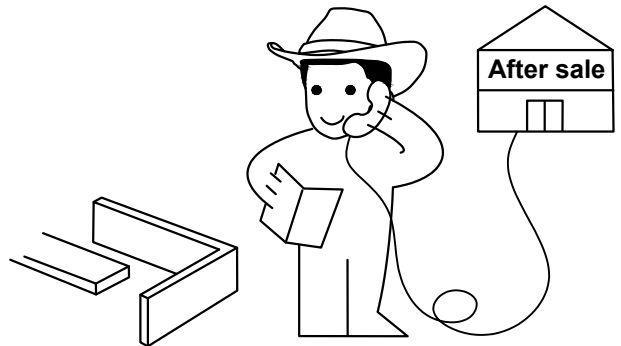
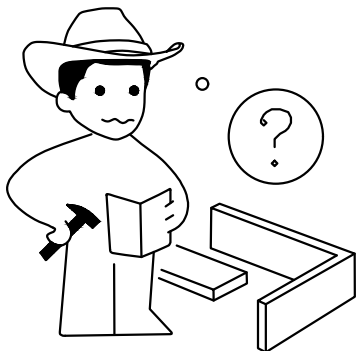
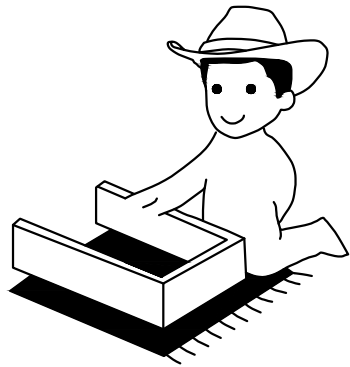
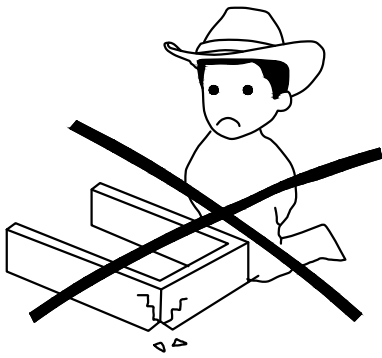
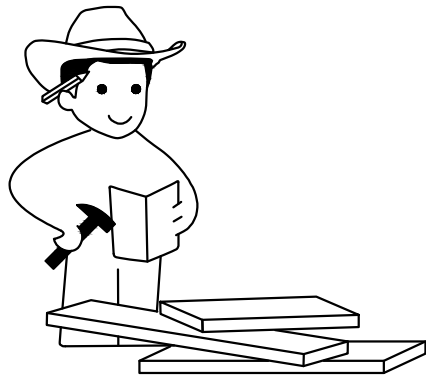
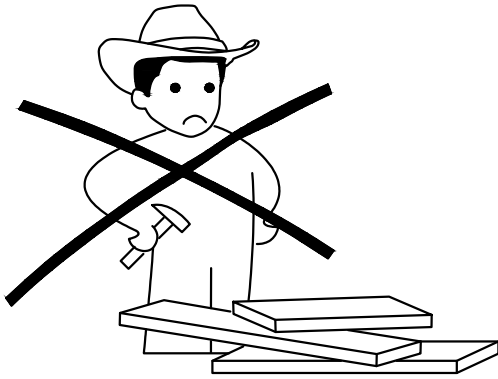
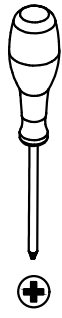
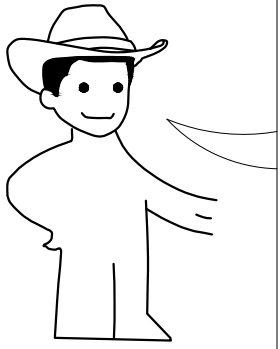
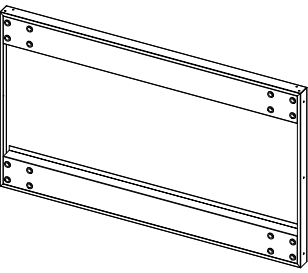
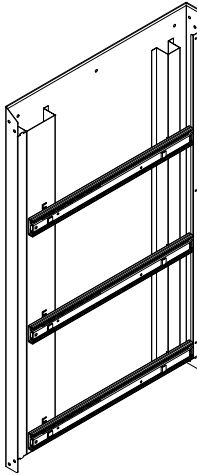
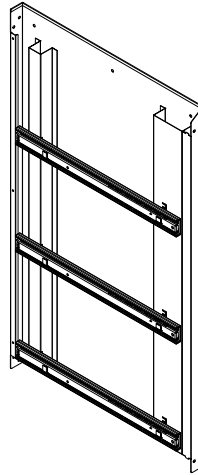
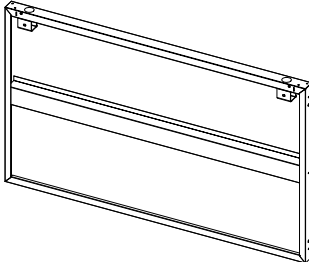
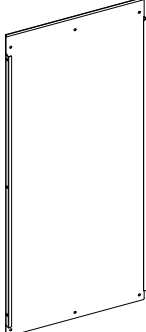


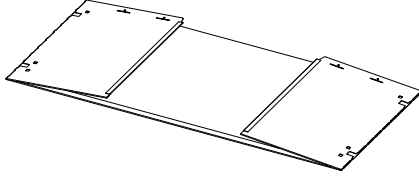


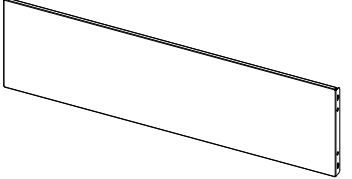
Installation video

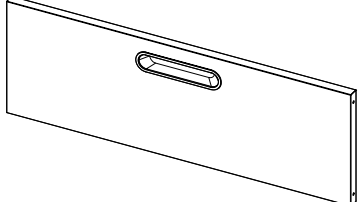


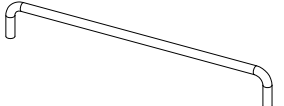
<p>1×1pc</p> 	<p>2×1pc</p> 	<p>3×1pc</p> 	<p>4×1pc</p> 
---	---	--	---


<p>5×2pcs</p> 


<p>11×3pcs</p> 


<p>12×3pcs</p> 
--


<p>10×3pcs</p> 
--

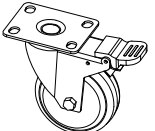
<p>9×1pc</p> 


<p>A×67pcs</p>  <p>M4× 8mm 0.3inch</p>


<p>B×16pcs</p>  <p>M8× 20mm 0.79inch</p>

<p>C×3pcs</p>  <p>M5× 12mm 0.47inch</p>
--

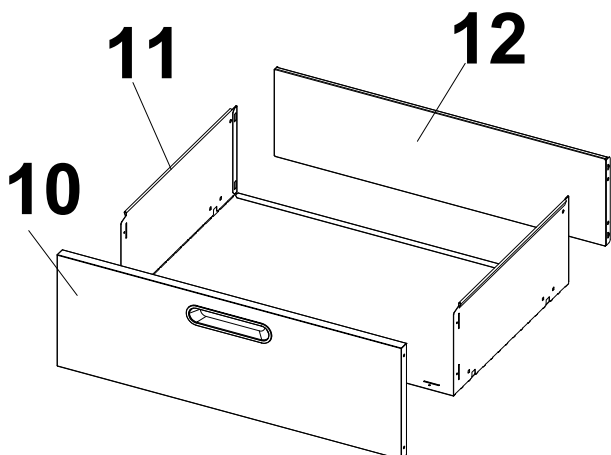
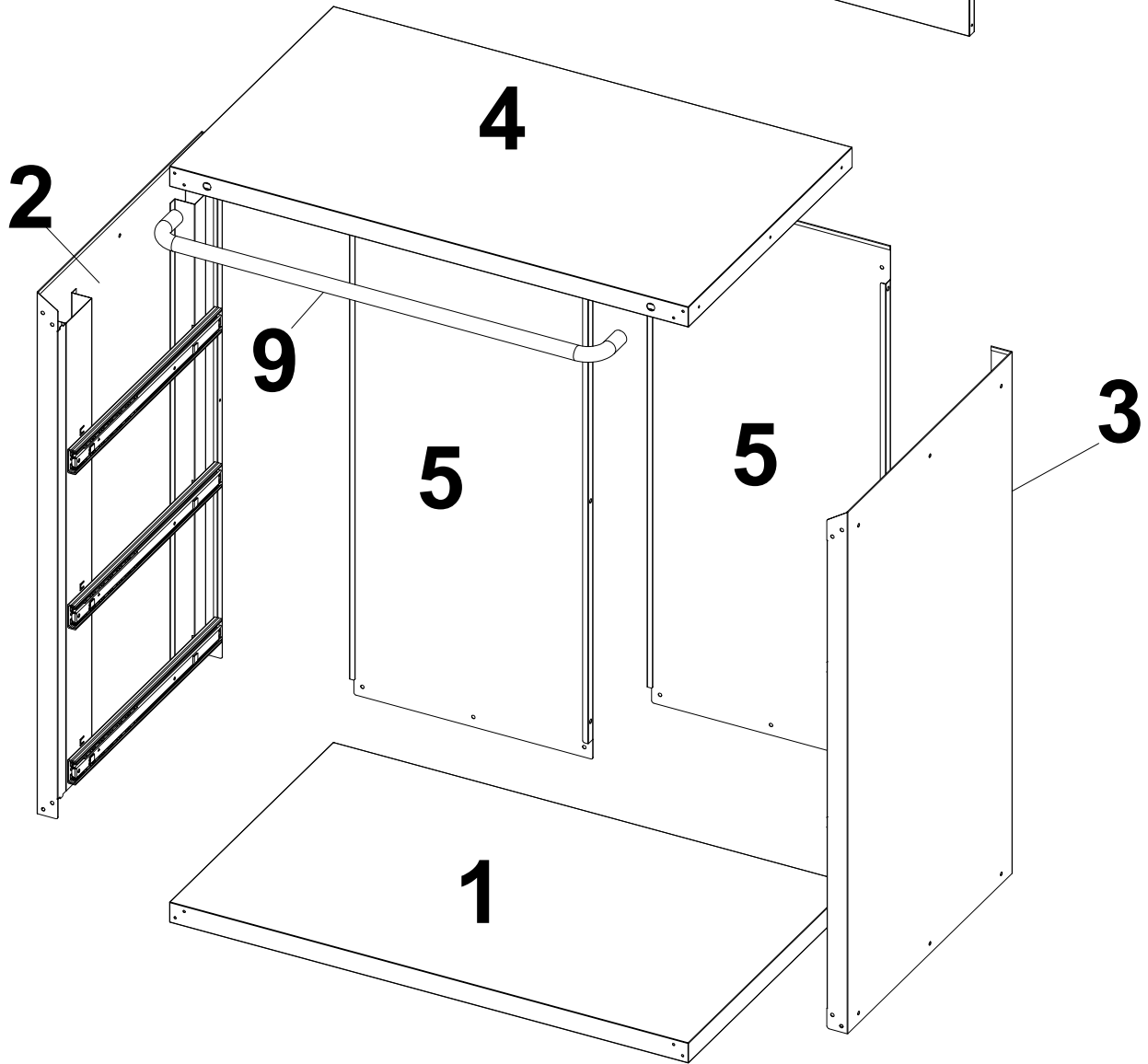
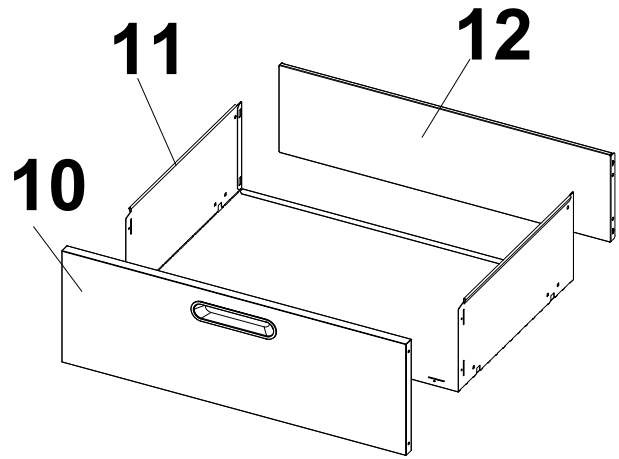
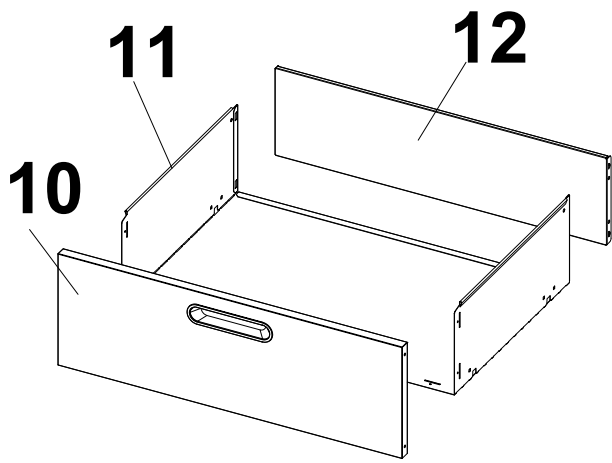
<p>D×2pcs</p>  <p>M4× 12mm 0.47inch</p>
--

<p>W×4pcs</p> 

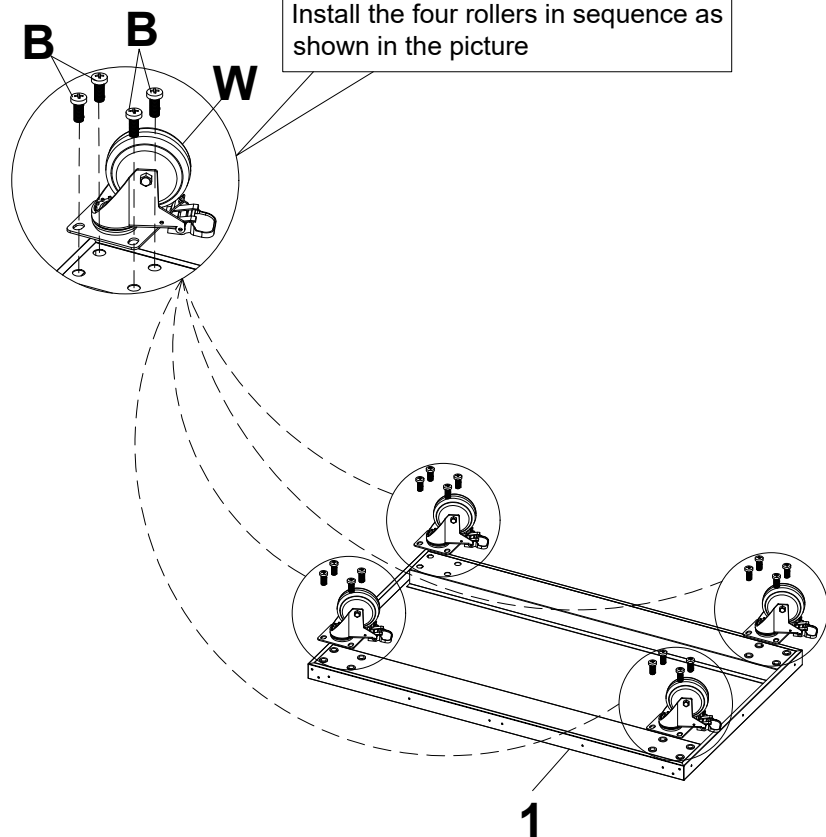




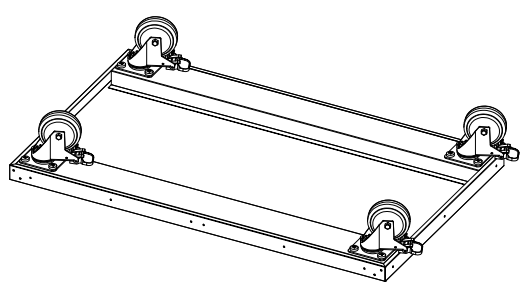
Empty space for additional notes or diagrams
--



1

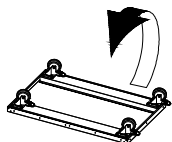


After completing the installation of the four rollers, please step on the rear locking part to prevent the cabinet from sliding during subsequent installation

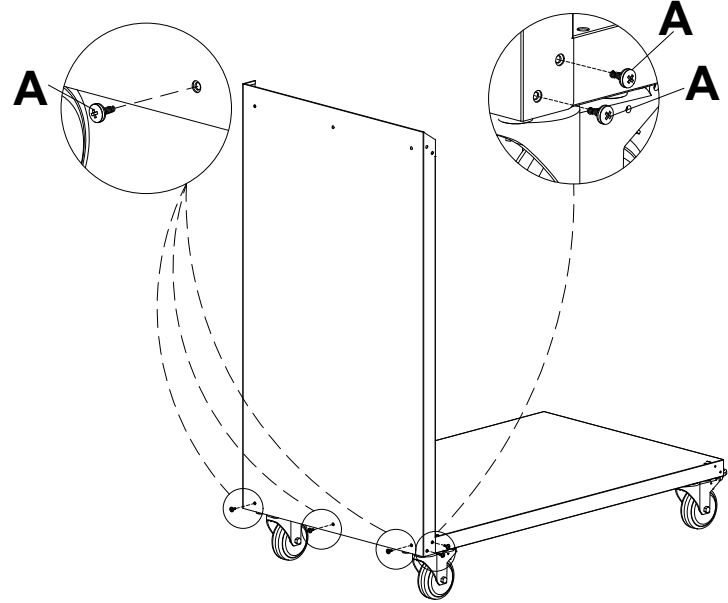
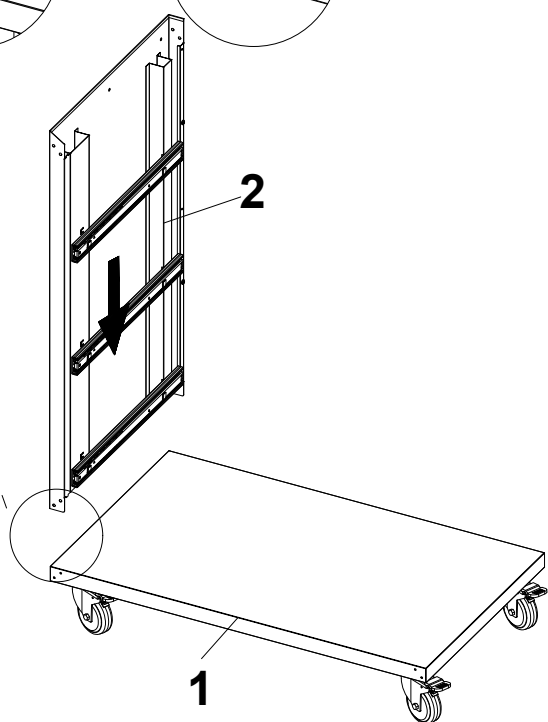
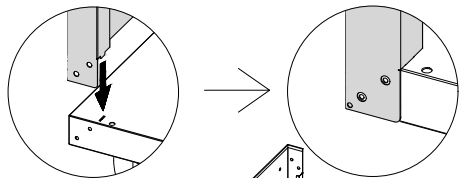


 **B×16**

2



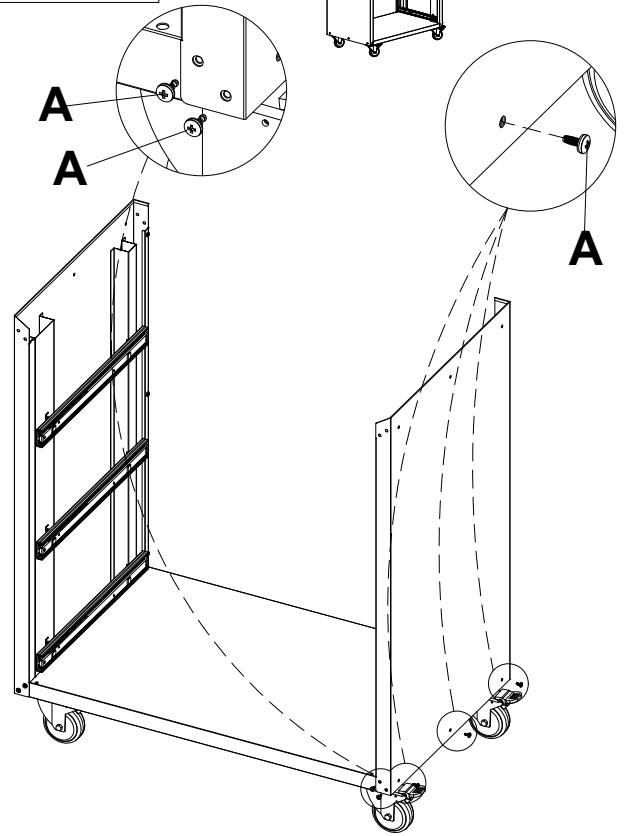
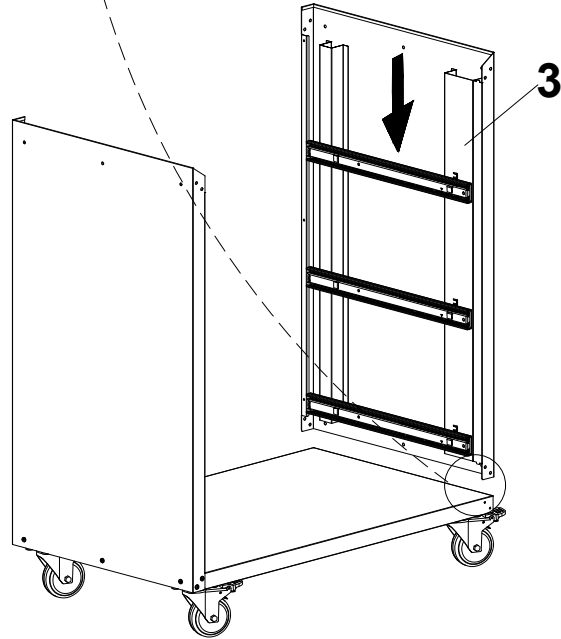
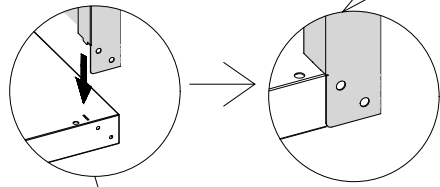
Align the lower buckle of side panel 2 with the slot at the top of the toolbox bottom plate, and then lower it down so that side panel 2 is stuck at the top of the toolbox floor



 **A×5**

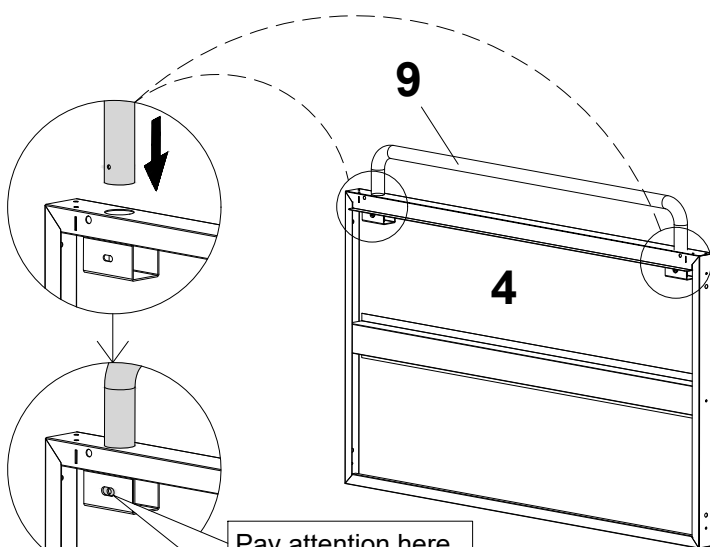
3

Align the lower buckle of side panel 2 with the slot at the top of the toolbox bottom plate, and then lower it down so that side panel 2 is stuck at the top of the toolbox floor

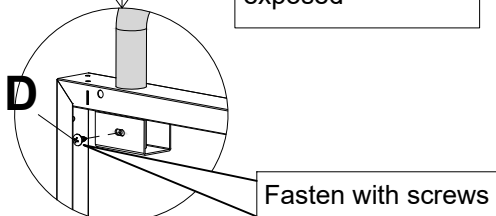


4

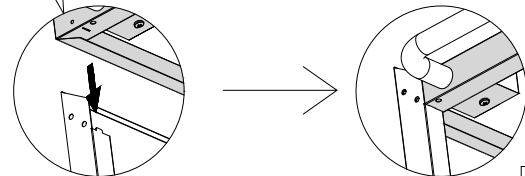
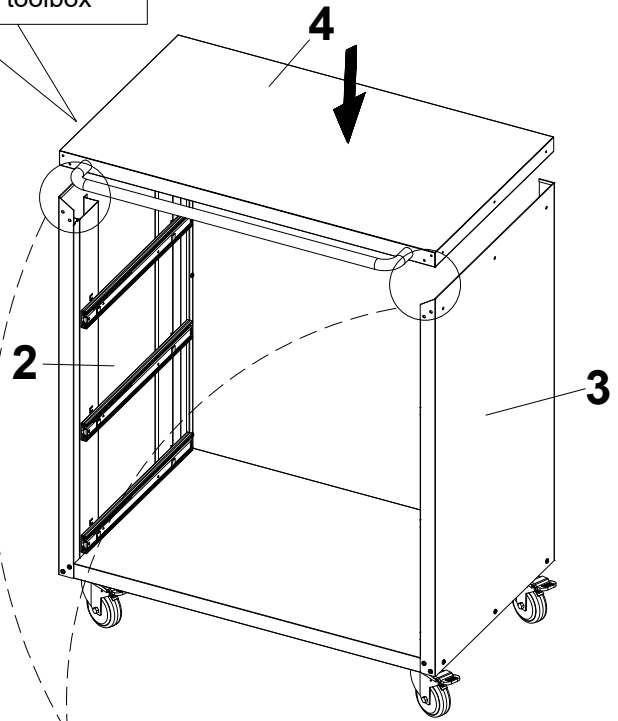
Align the card slots on both sides of the lower end of panel 4 with the buckles on the top of side panels 2 and 3, then lower it down so that panel 4 is stuck on the top of both sides of the toolbox



Pay attention here, the hole should be exposed

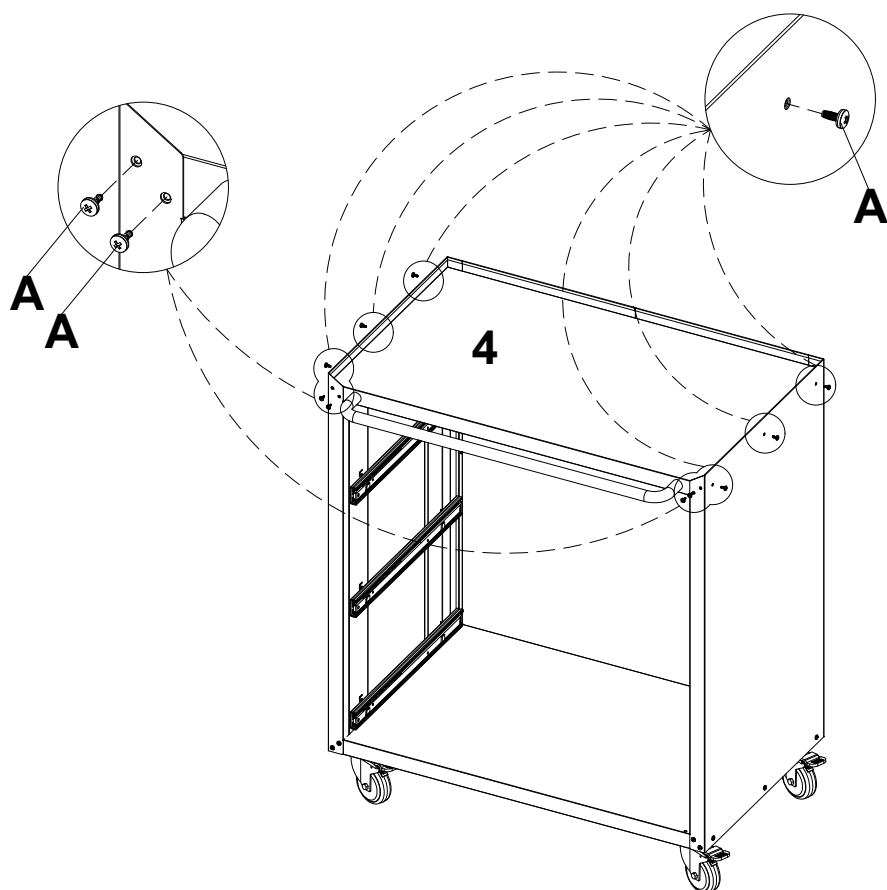


Fasten with screws



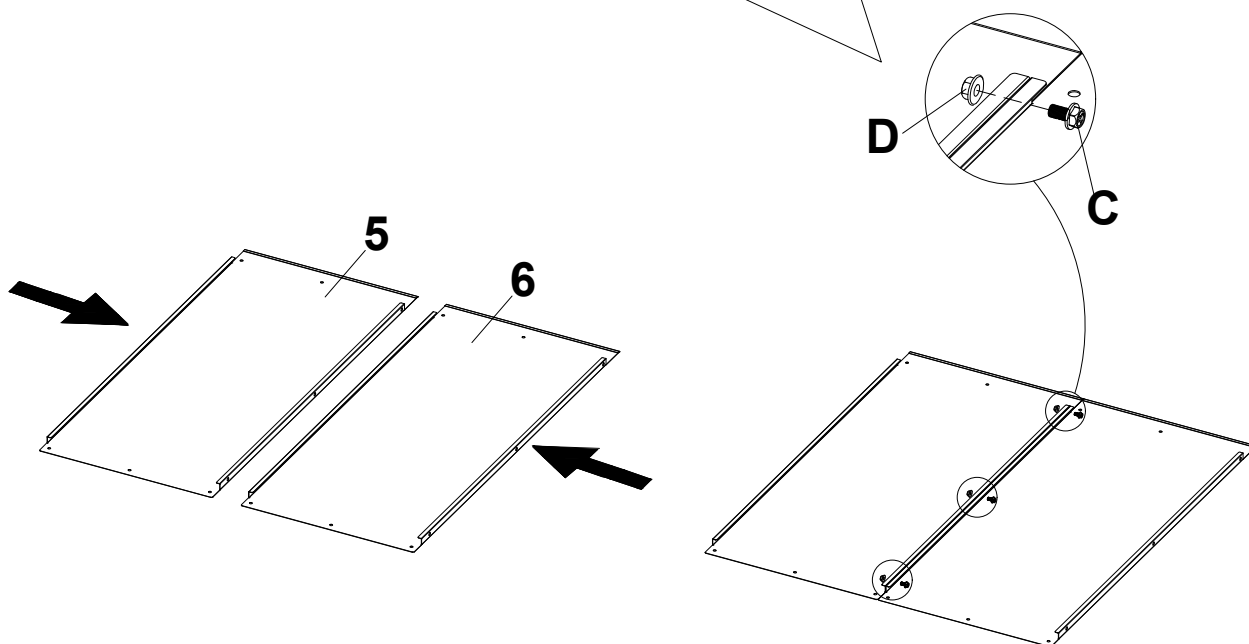
5

Fix component 4 with screws A according to the diagram



6

put three bolts and nuts to hold them in place



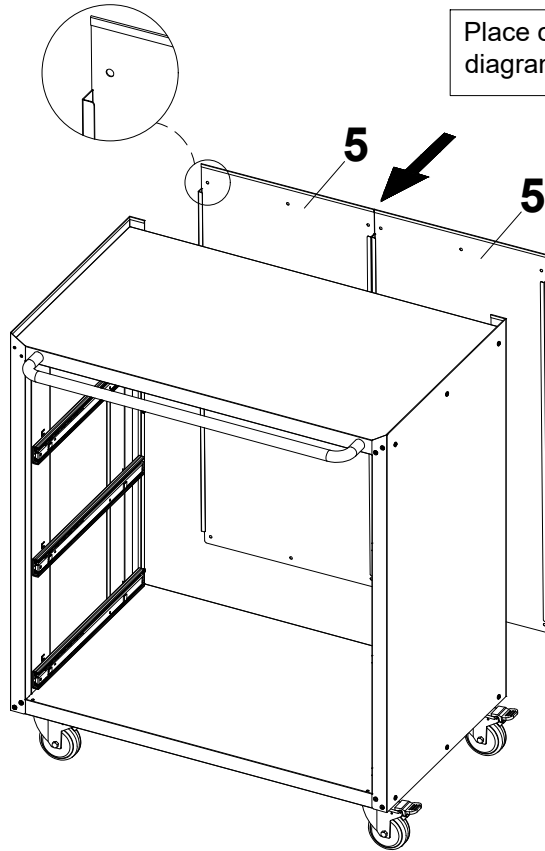
Cx3



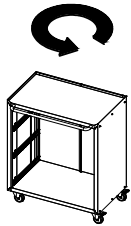
Dx3

7

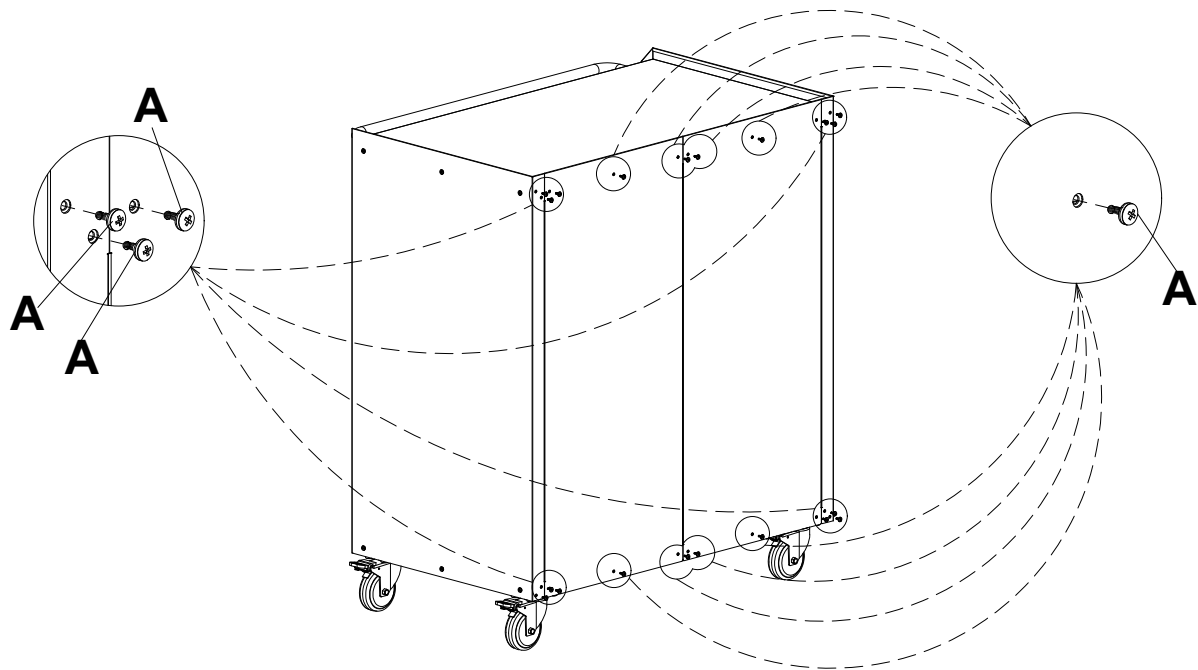
Place component 5 in place according to the diagram



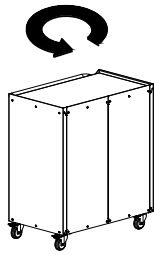
8



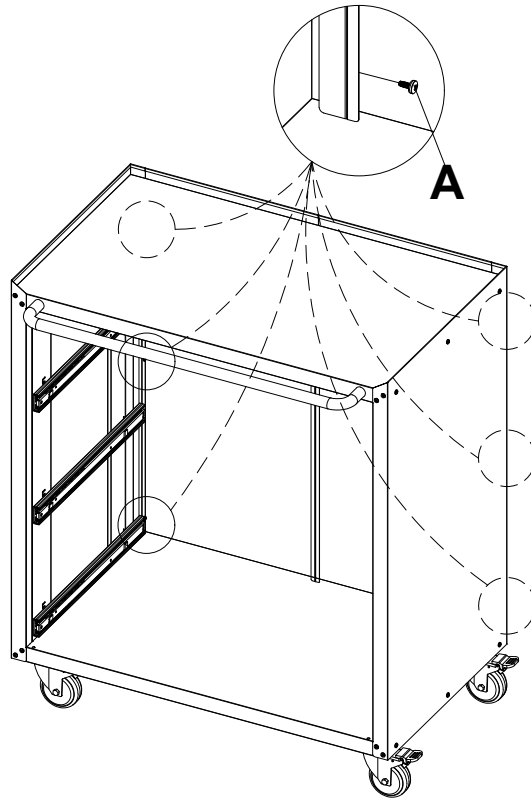
As shown in the picture, there are four positions, each position needs to install three screws, there are eight positions, each position needs to install one screw



9

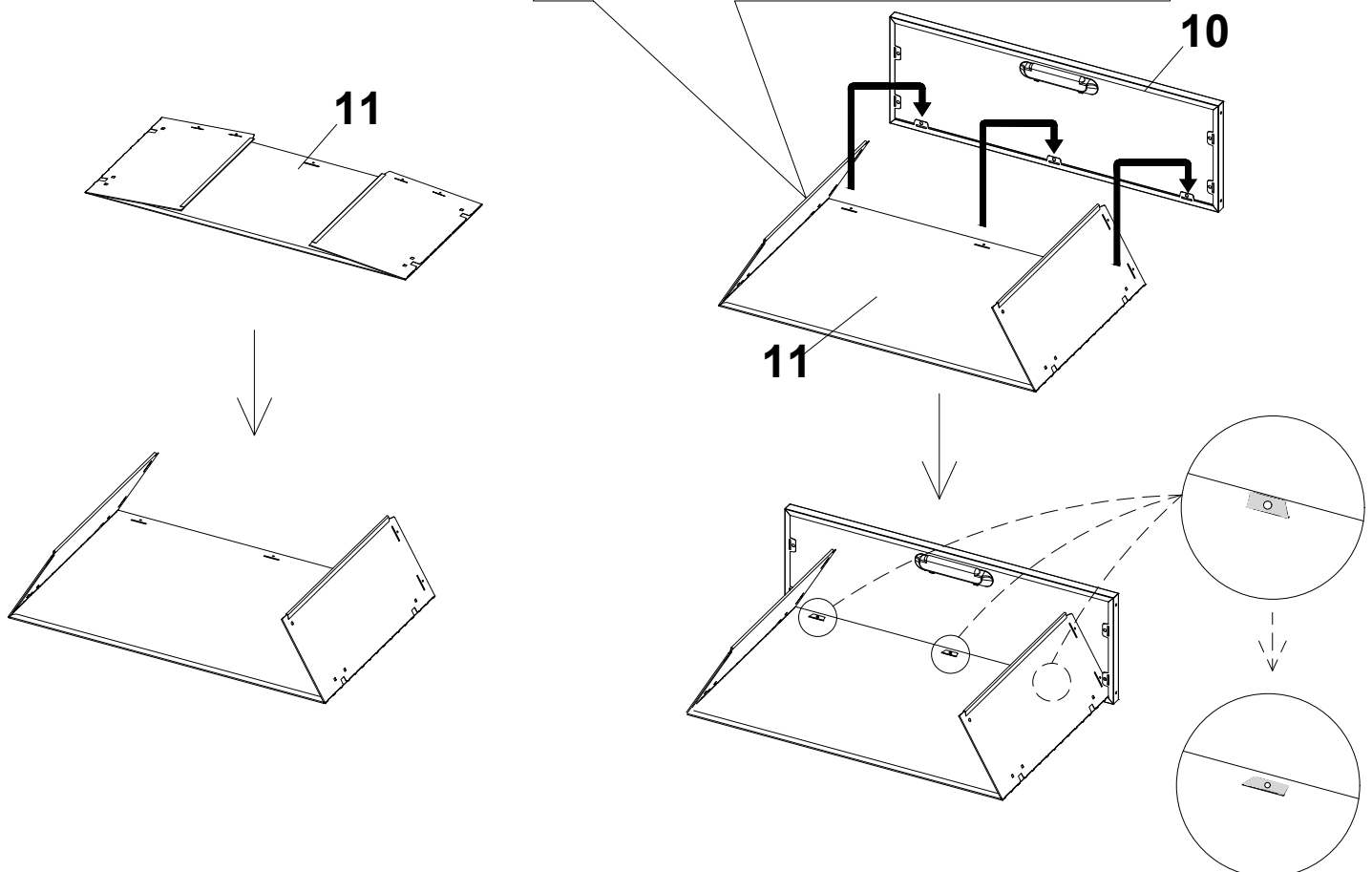


Fix with screws A according to the diagram

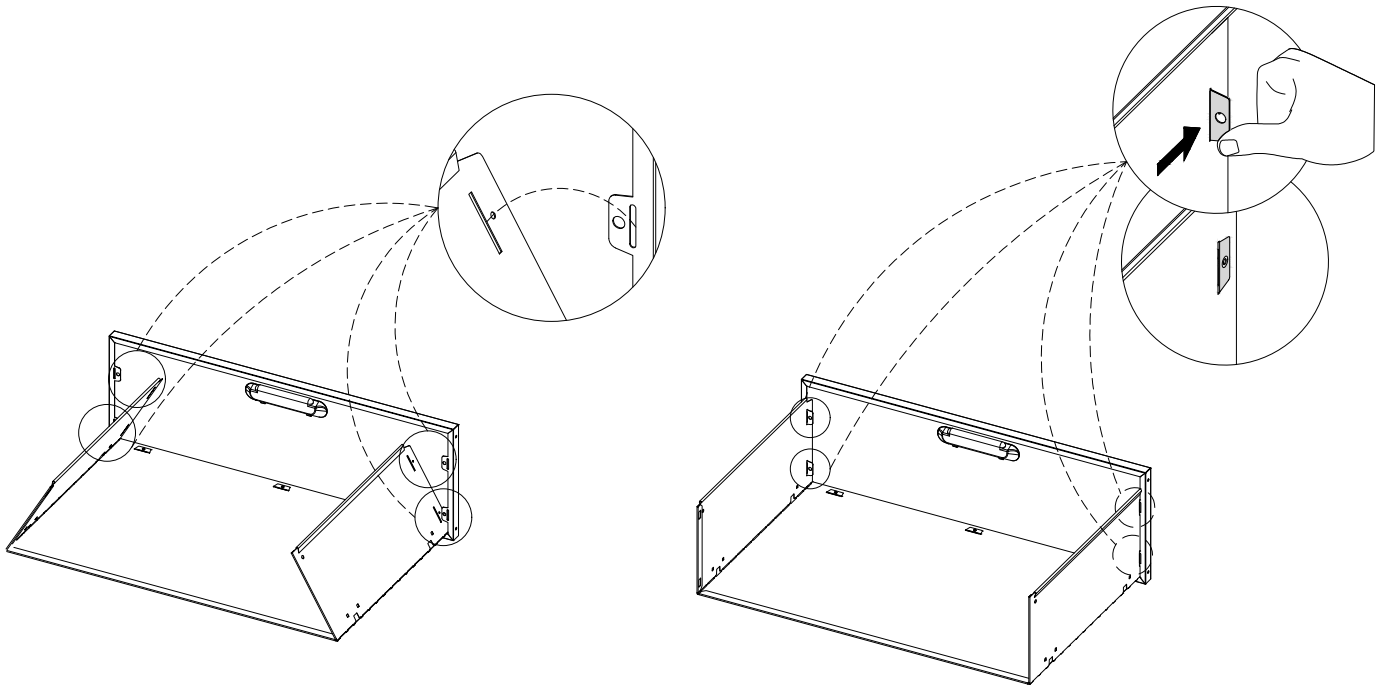


10

Insert the tabs at the bottom of the drawer faces 10 into the drawer body 11 and bend the tabs

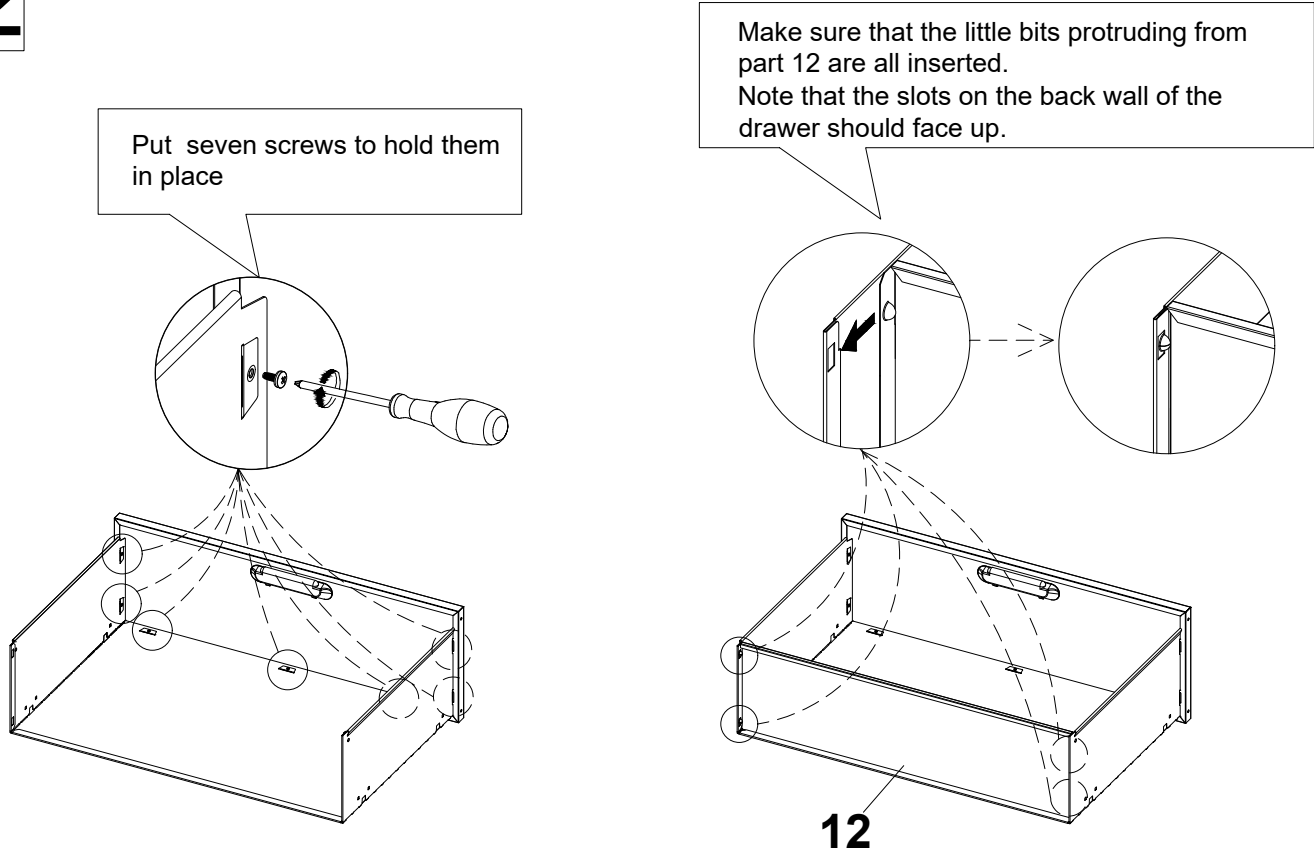


11



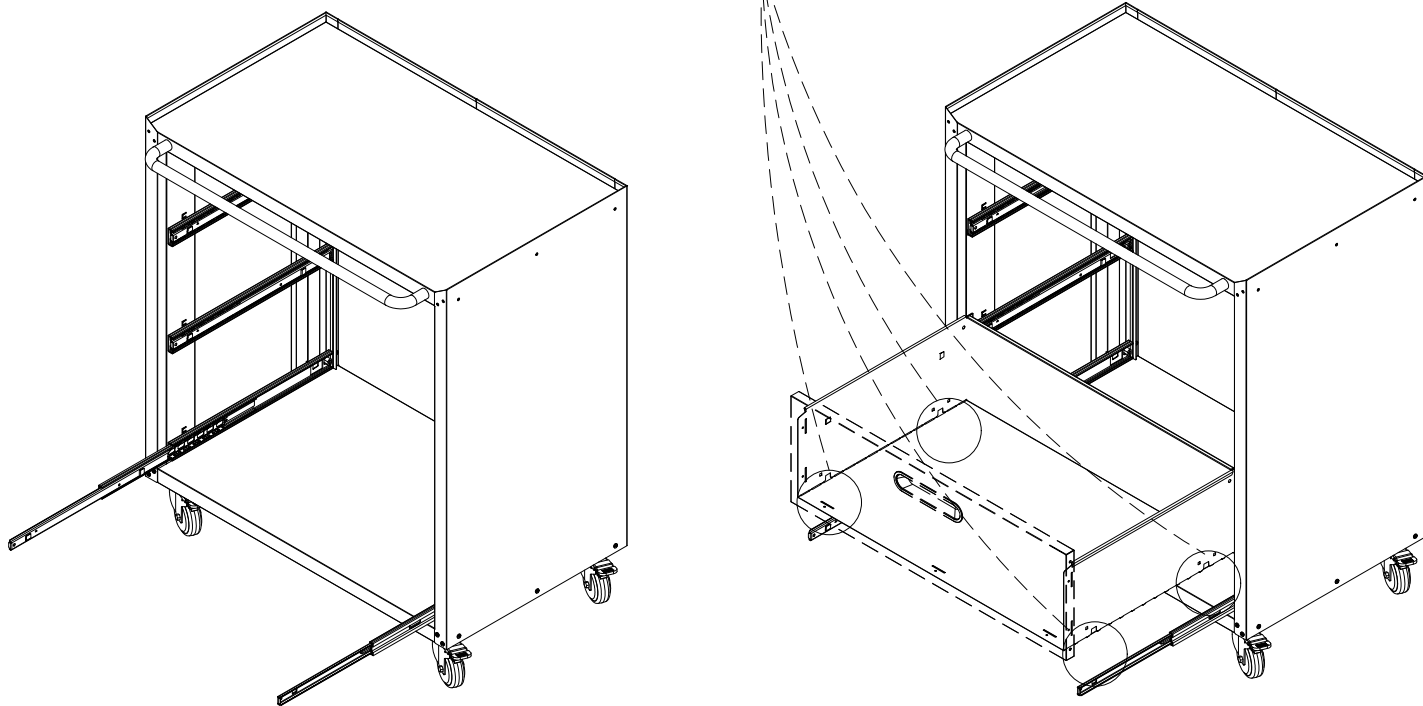
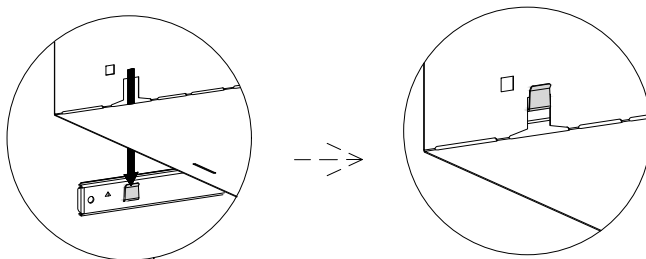
Bend the tabs on the drawer faces.

12



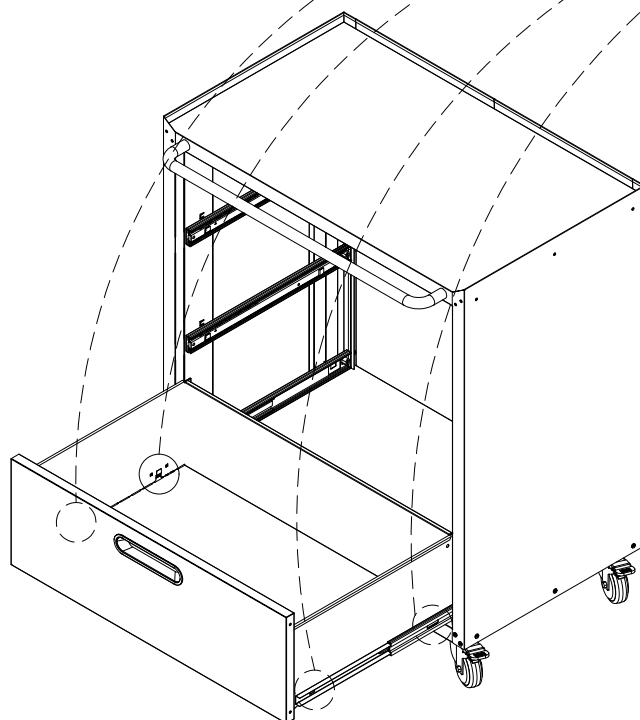
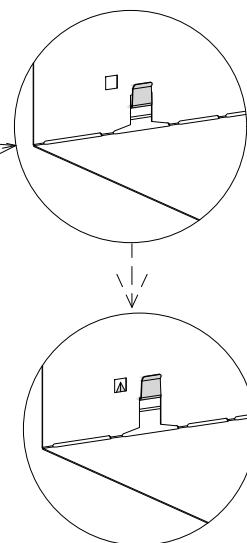
13

1. pull out the small rails in the slide rails on the side walls completely.
with two people lifting each side of the drawer, align the four divots on the bottom with the two rail clips on the rails on each side and insert them into the rail clips.

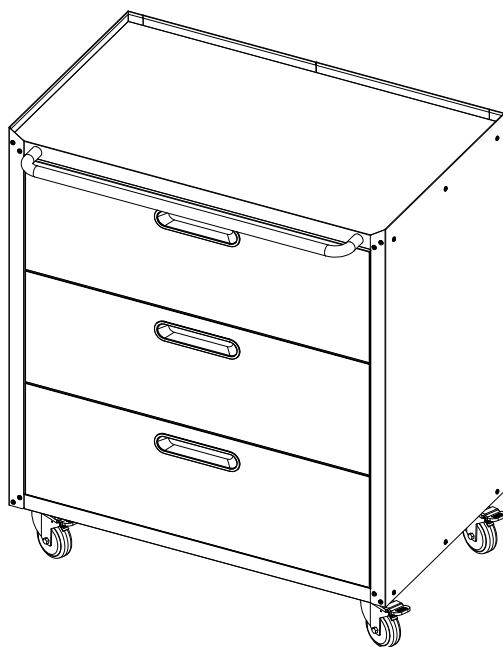


14

2. After placing the drawer on the rail, press the drawer base down hard enough, paying attention to check the position of the four clips inside until you hear a click four times, which means the drawer is in place



15



16

If you need to link another cabinet, you need to follow the following steps

First remove the 12 screws on the contact surface, then put the two cabinets together and fix them with 6 screws

