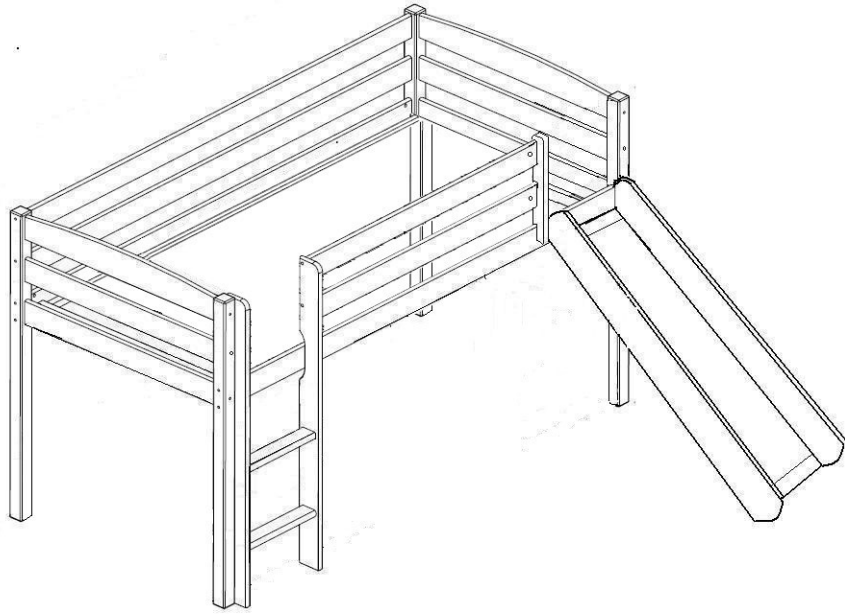
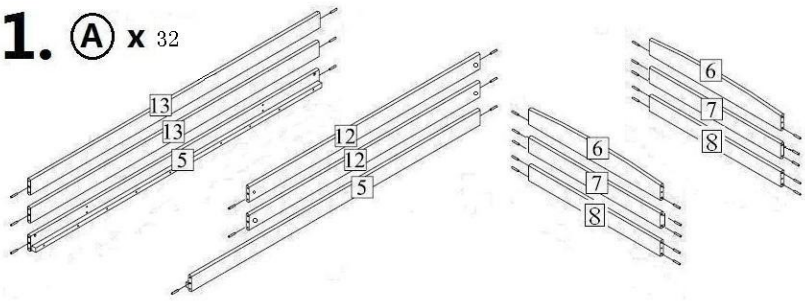


200\*90cm

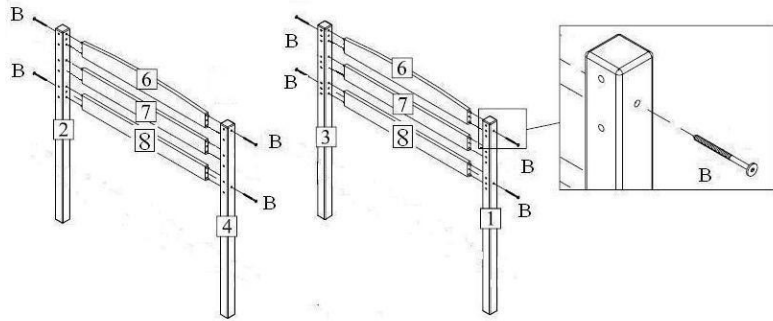




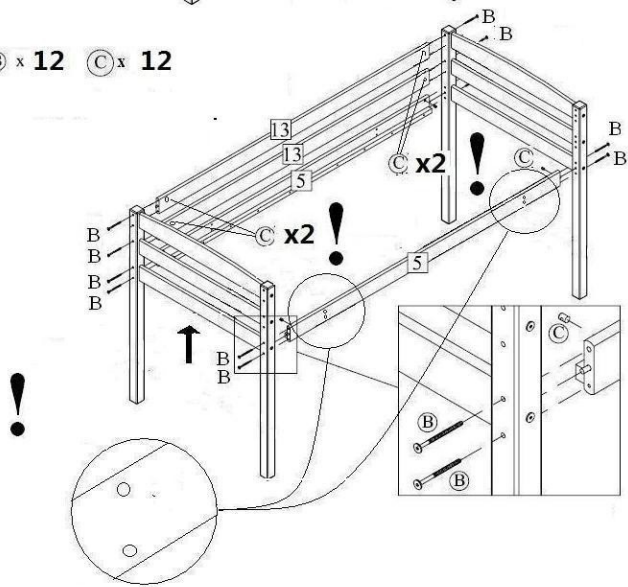
**1.** **A** x 32



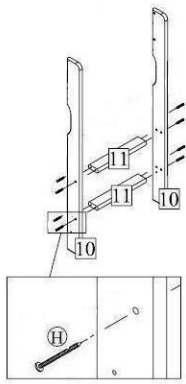
**2.** **B** x 8 **C** x 8



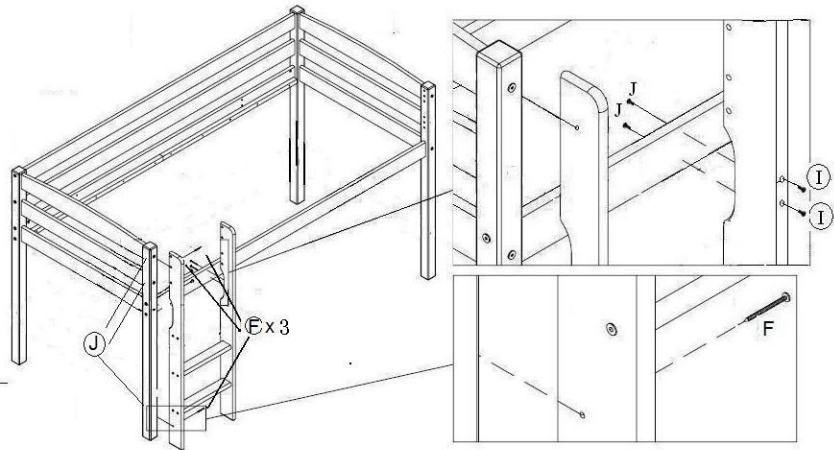
**3.** **B** x 12 **C** x 12



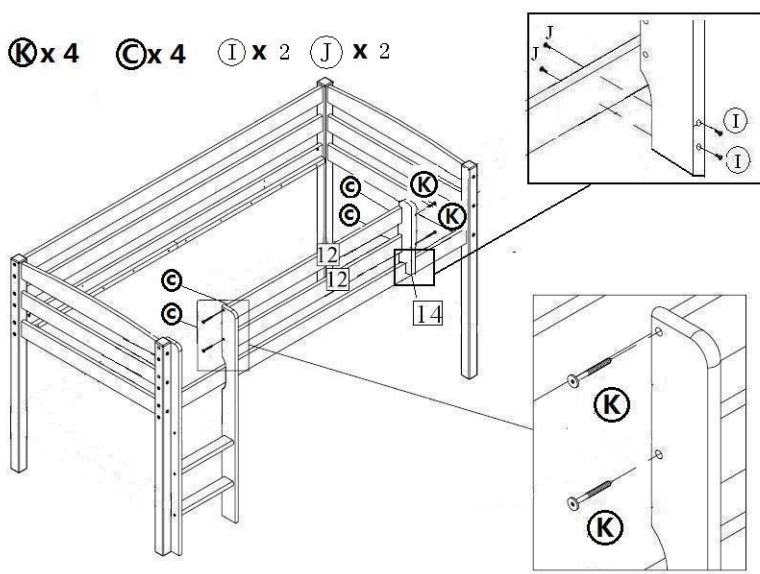
4.  $\textcircled{\text{H}}$  x 8



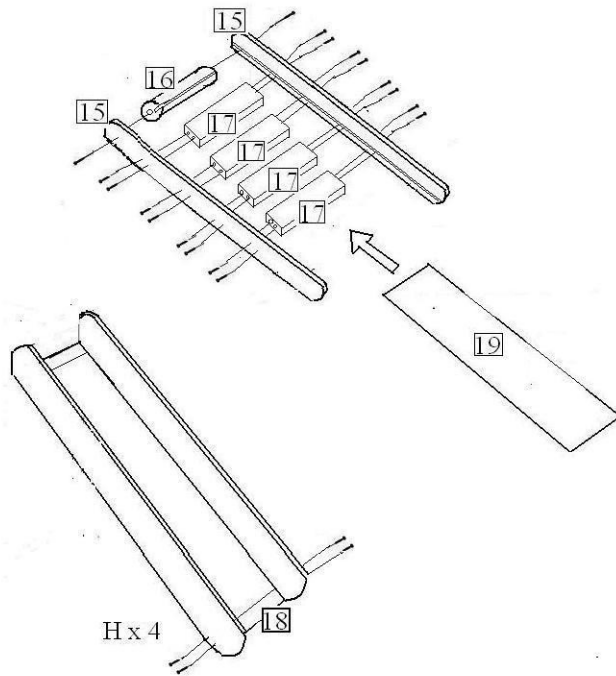
5.  $\textcircled{\text{J}}$  x 5  $\textcircled{\text{F}}$  x 3  $\textcircled{\text{I}}$  x 2



6.  $\text{K} \times 4$   $\text{C} \times 4$   $\text{I} \times 2$   $\text{J} \times 2$

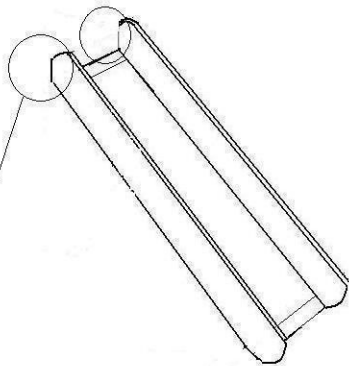
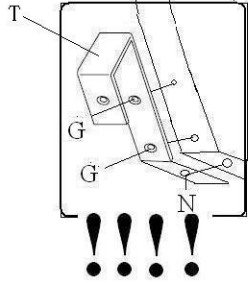


7.  $\text{H} \times 22$

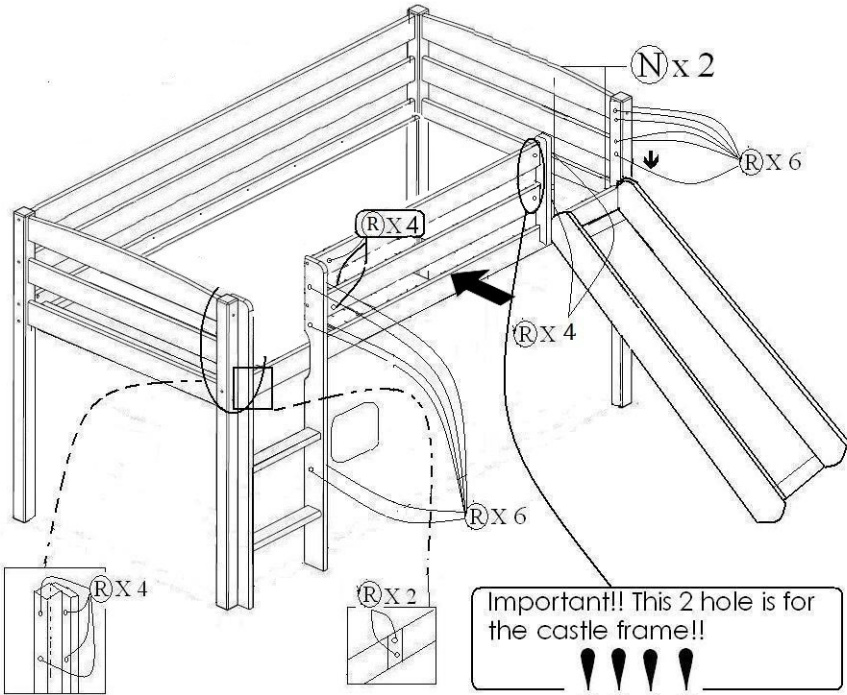


8. G X 4 T X 2 N X 2

Important!! Pay attention to this hook assembly! G for upper assembly, and N for low



9. N x 2 R x 26 G X 32



Important!! This 2 hole is for the castle frame!!  
!!!!