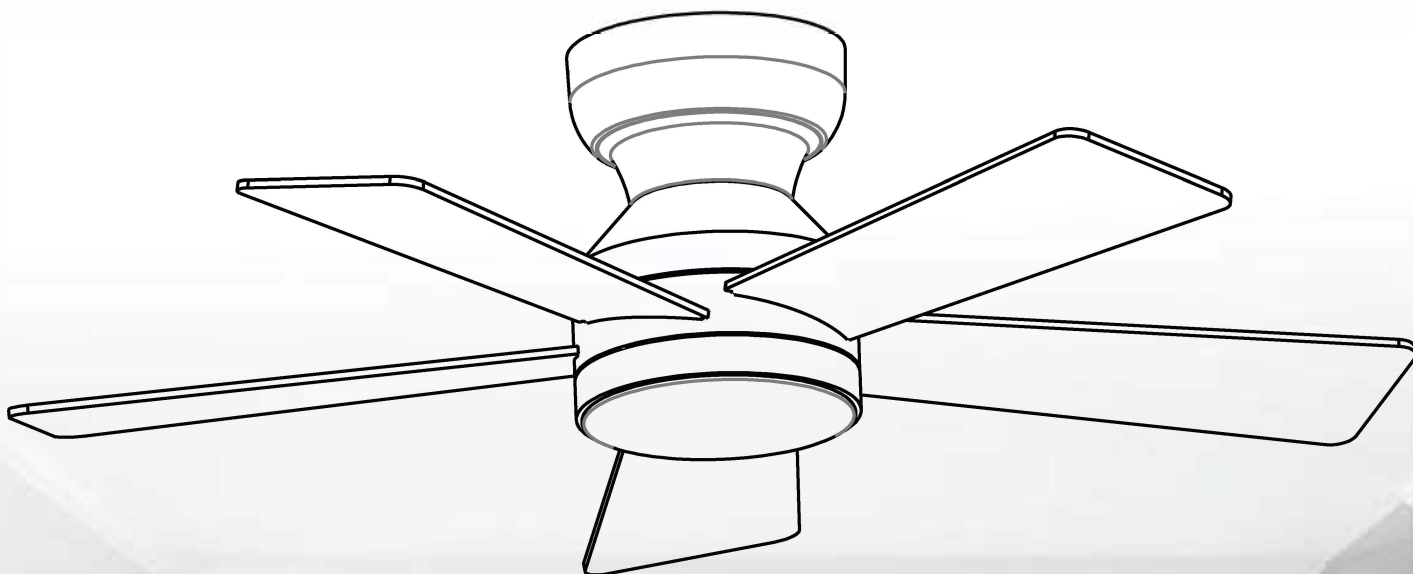


# READ AND SAVE THESE INSTRUCTIONS



## OWNER MANUAL

### Flush Mount Ceiling Fan with Light

User Manual

#### GET MORE SUPPORT

Should you experience any issues while operating any of our products, you can directly reach out to our Customer Support Or you can send your inquiry to our Official Customer Support Email.



**PLEASE KEEP CHILDREN AND PETS AWAY.**

Contains screws, magnets, please keep away children/pets to avoid accidental ingestion.



# SAFETY INFORMATION

## WARNING

**To avoid fire, shock and serious personal injury, please read the following instructions carefully. Important Safety Instructions.**

- Before installing the fan, disconnect the power by removing fuses or turning off circuit breakers.
- Make sure the installation site you choose allows a minimum of 7.5 feet from the blades to the floor and at least 30 inches from the tip of the blades to any obstruction.
- The outlet box and its support must be able to support the moving weight of the fan (at least 45kgs.). Do not use a plastic outlet box.
- Attach the mounting bracket by using the hardware supplied with the ceiling outlet box.
- After installing the fan, make sure all the connections are secured. This will prevent the fan from falling.
- Do not insert anything into the fan blades while the fan is operating.
- Turn the fan off and wait for it to stop before reversing fan direction.
- To reduce risk of electrical shock and personal injury, do not install the fan on a sloped ceiling.
- To reduce the risk of electrical shock and personal injury, do not use this fan with any solid-state.
- To reduce risk of personal injury, use only the two steel screws and lock washers provided with the fan for mounting the outlet box.

## Risk Of Electric Shock

- Before you start installing this ceiling fan, disconnect the power supply by turning off the circuit breaker. (see the picture at the next page.)
- All electrical connections must be in accordance with local and National Electric Code (N.E.C.) standards and ANSI/NFPA 70.
- Consult a qualified electrician if you are unfamiliar with proper electrical wiring connections.
- Do not alter, re-locate or remove wiring when nothing goes wrong with the product.
- Double-check all connections and screws to be sure they are tight and correct.
- Verify whether the supply voltage is correct by comparing it with the product information.

## Risk Of Injury

- Keep all the parts of this product away from children. The package contains many small or heavy parts that may bring the risk of choke or injury.
- Make sure to install all parts firmly enough in case they fall while running. Carefully check all screws, bolts, and washers on the fan assembly to ensure they are secured.
- Wear safety gloves and safety glasses always when installing or removing the light or the fan, or performing maintenance.
- Some parts of the components are sharp and may hurt your hands, please make sure you are wearing safety gloves when touching and installing the components.
- Wear rubber-soled shoes and work on a sturdy ladder.

## Maintenance And Cleaning

- Periodically cleaning your ceiling fan is the only required maintenance. Use a soft brush or lint free cloth to avoid scratching the paint. Please turn off the electricity power before you clean your fan.
- Do not use water when cleaning your ceiling fan. It could damage the motor or the blades or even evoke an electrical shock.
- The motor has permanently lubricated ball bearing.
- No need to oil.

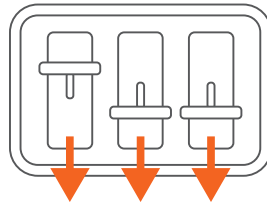
**MAKE SURE THE POWER IS OFF IN THE ELECTRICAL PANEL BOX BEFORE YOU DO ANY CLEANING OR REPAIRS**



## PRE-INSTALLATION ADVICE

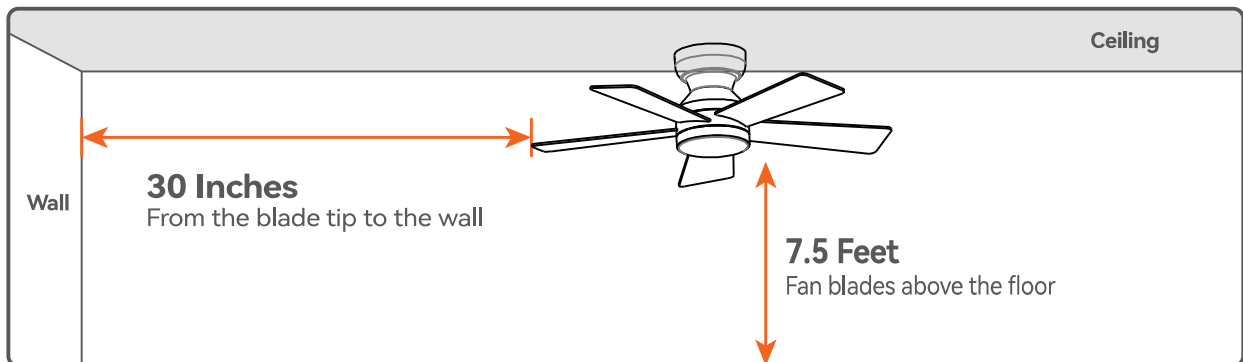
### WARNING

To avoid serious injury or death, turn off the power at the circuit breaker before installing the fan.



**OFF**

### INSTALLATION DISTANCE REFERENCE



### TOOLS NEEDED



Phillips Screwdriver



Wire Stripper



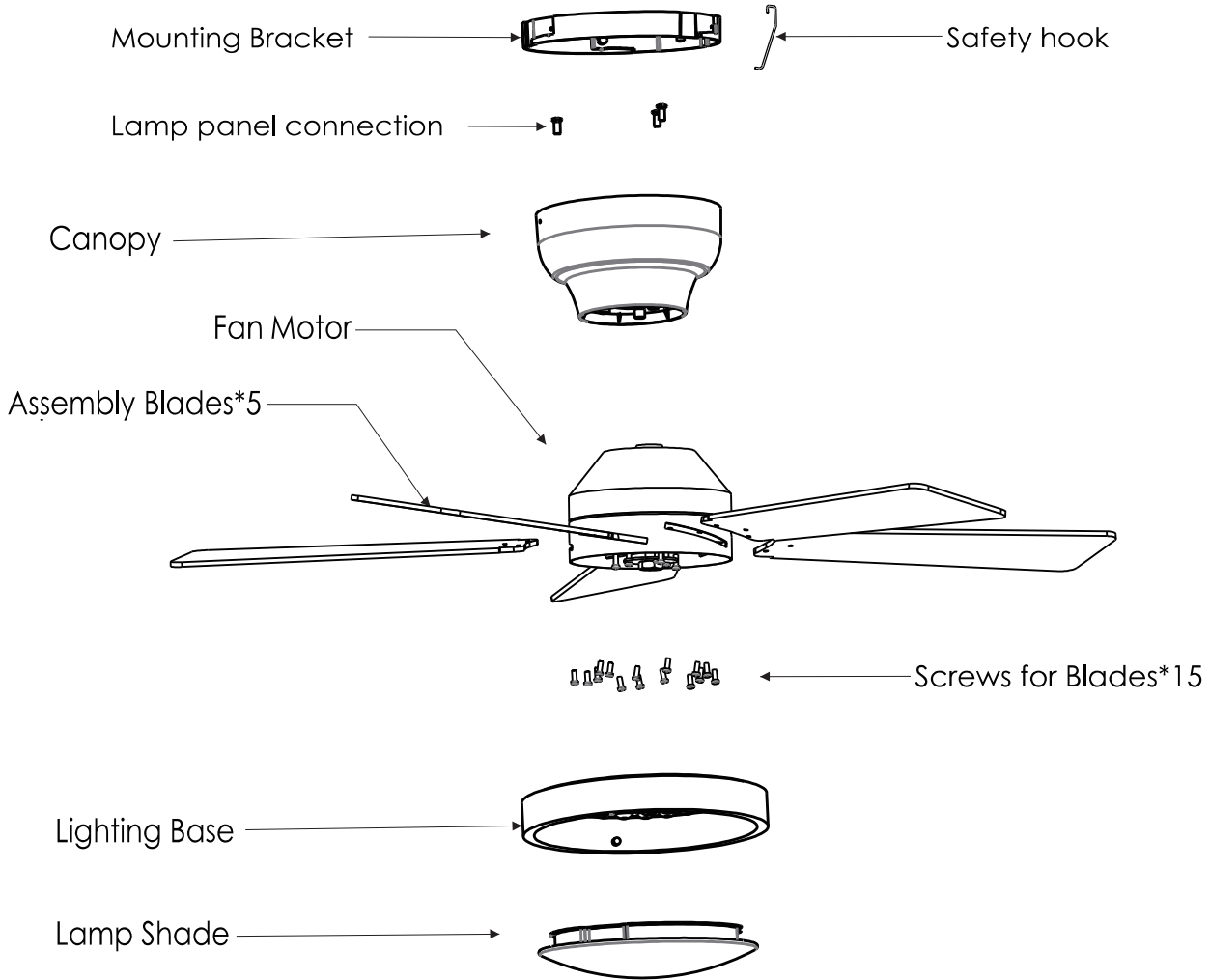
Step Ladder

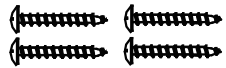
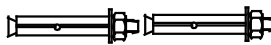


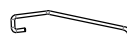


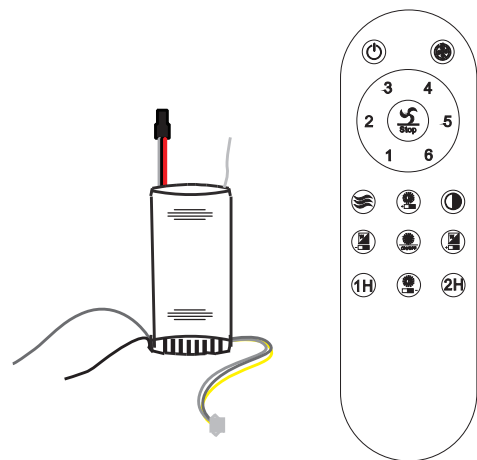
Safety Gloves



# ACCESSORIES LIST



Item no.	Reference Image	Qty.
1	 ST5x35 Setscrew	x4
2	 Expansion Screw	x4
3	 Screws for Blades M5*12H	x15
4	 ST4*15 Setscrew	x1
5	 Safety hook	x1



Receiver&Remote

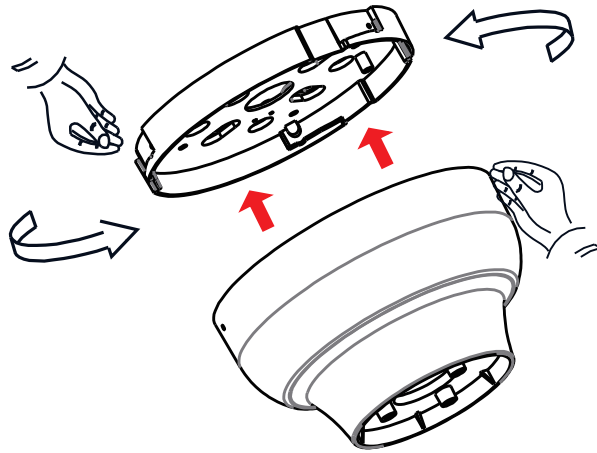


If any parts are missing or broken, please contact us.



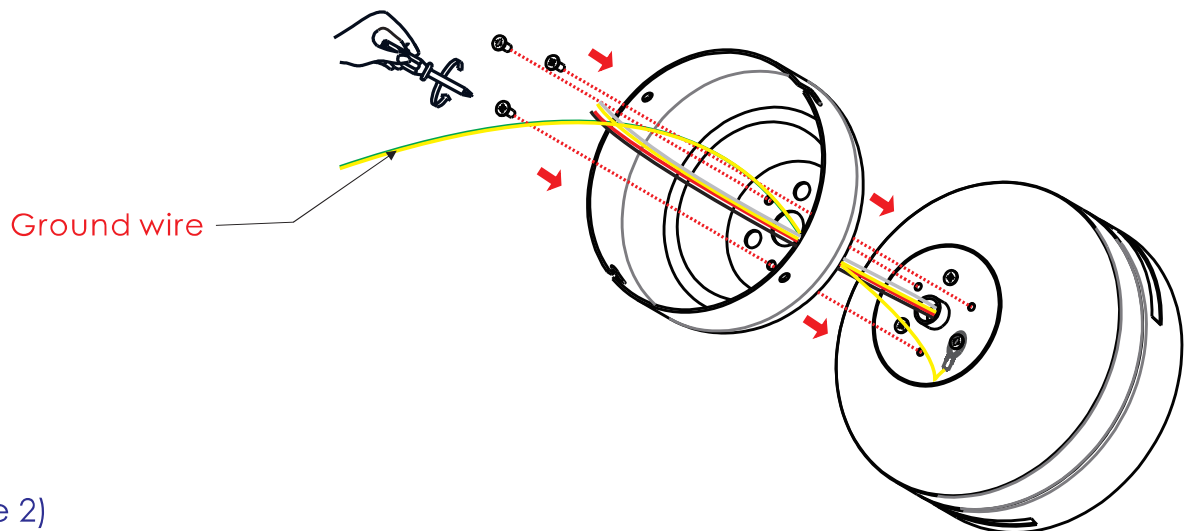
# INSTALLATION STEPS

1. Loosen the two screws of canopy with a screwdriver, remove the mounting bracket, and set it aside for future use.



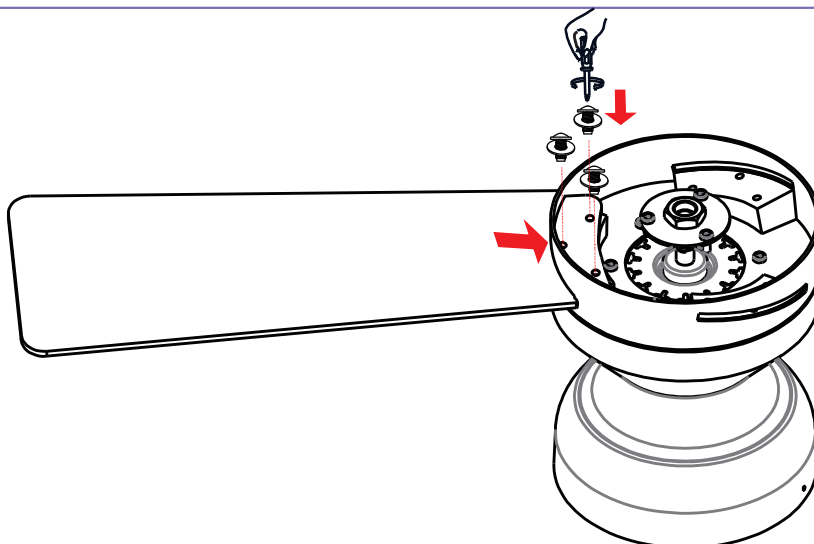
(Figure 1)

2. Install canopy onto the motor.



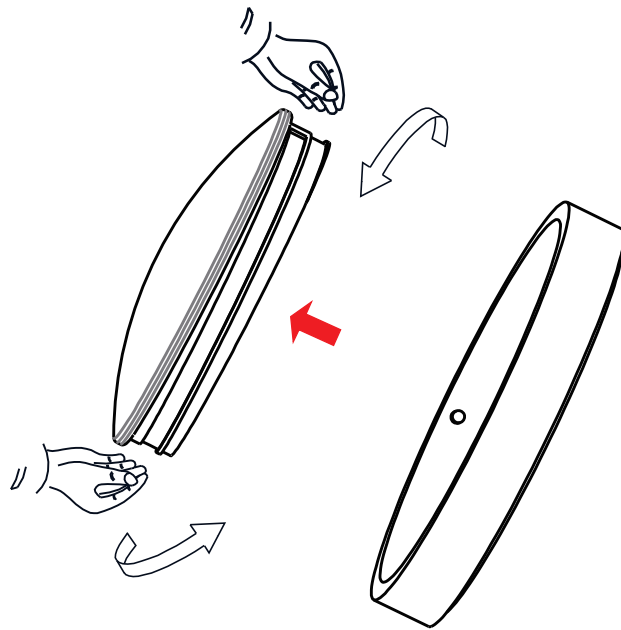
(Figure 2)

3. Assemble the blades with the screws provided.



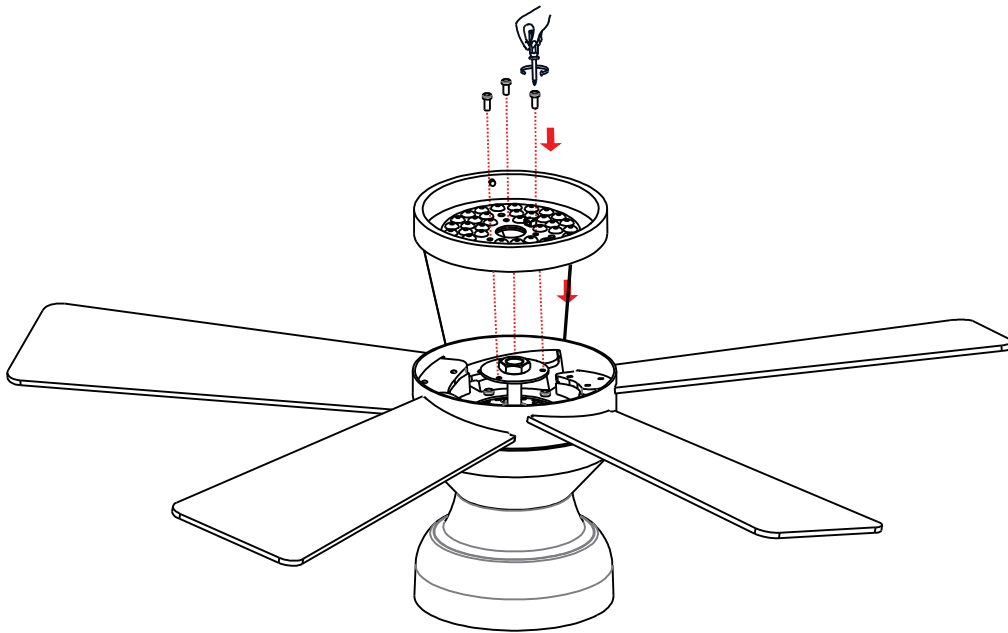
(Figure 3)

4.Remove Lamp Shade from Lighting Base.



(Figure 4)

5.Remove the screws at the bottom of the motor in sequence and install the light source box onto the motor.

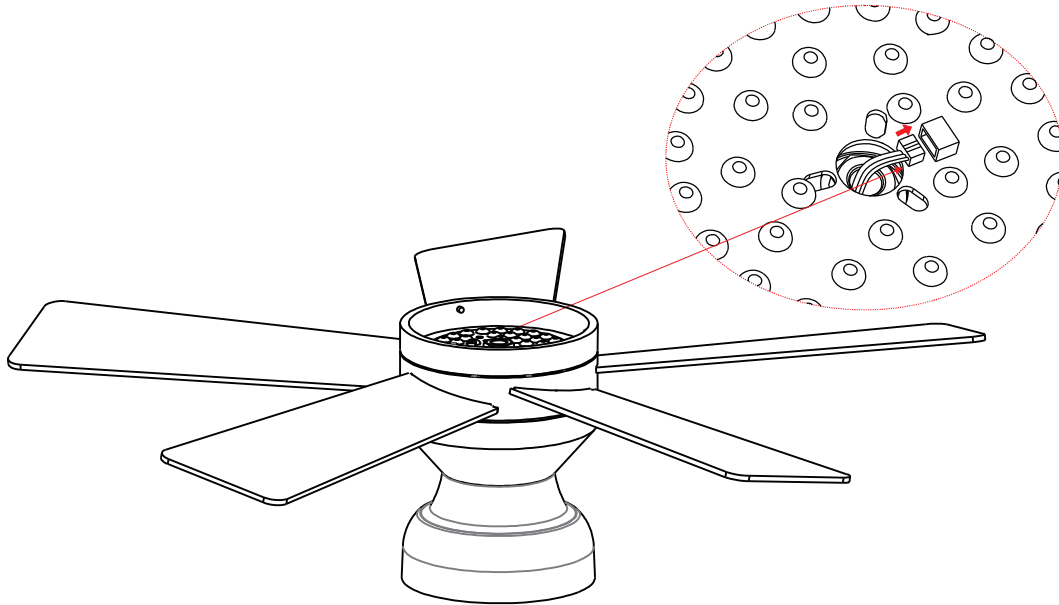


(Figure 5)



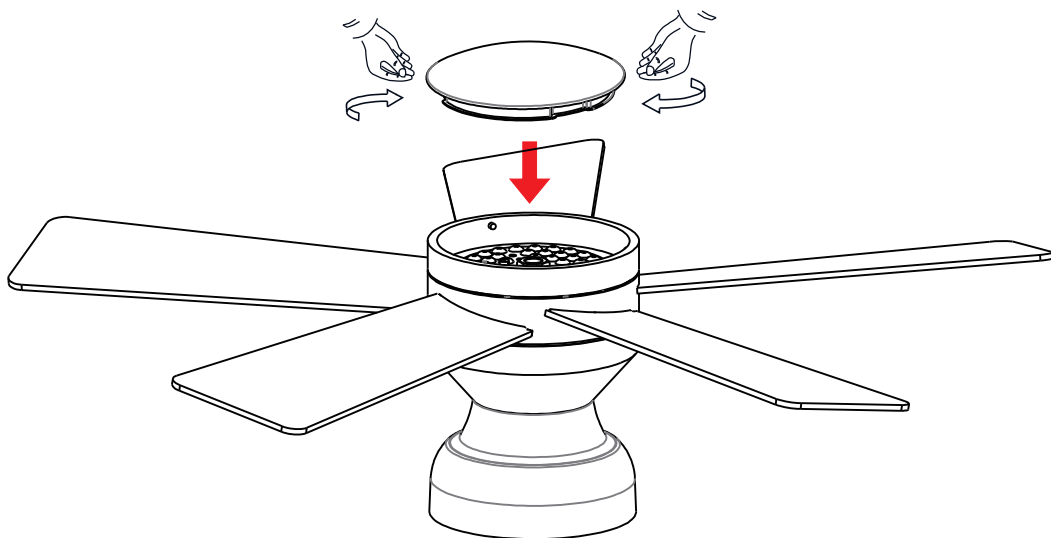
**Tip:**  
Please ensure that the power is off to avoid danger

6. Insert the power cord into the wiring terminal of the LED light panel.



(Figure 6)

7. Installing lamp shade.



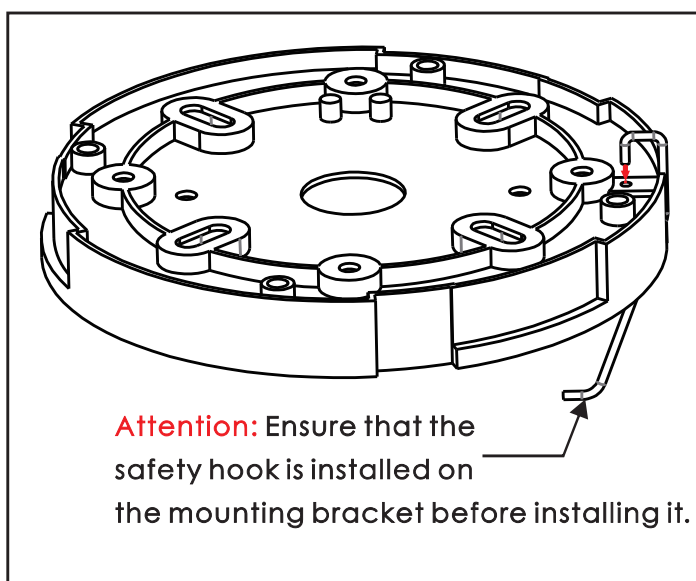
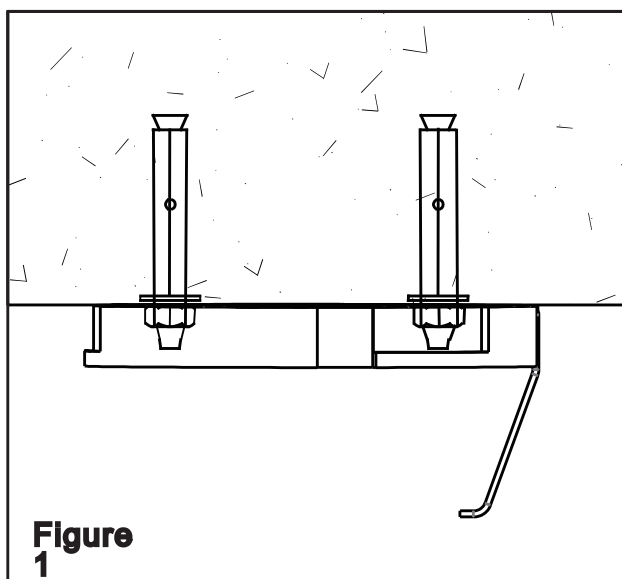
(Figure 7)



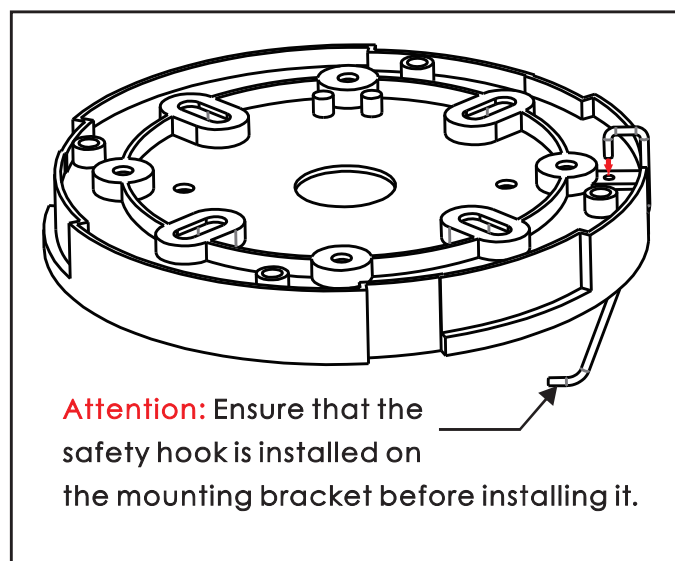
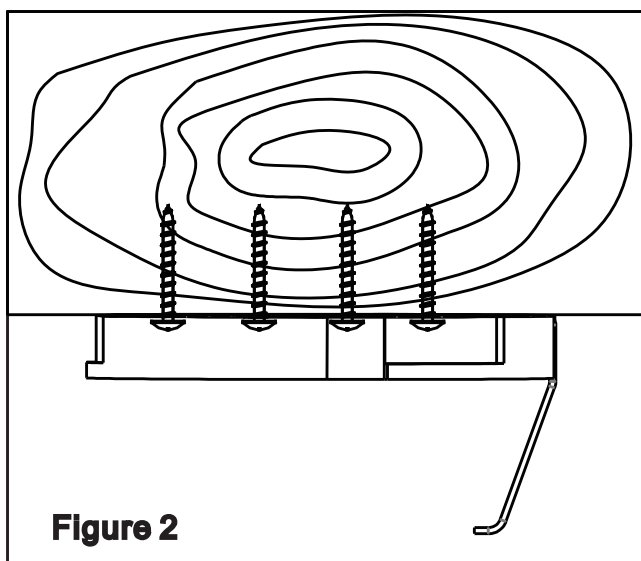
## INSTALLING THE MOUNTING BRACKET

The ceiling fan must be installed in the location where there is 12"(300mm) spacing from the tips of all blades to the nearest objects or walls. REMEMBER to turn off the power before hanging the fan. Follow the instruction below to hang your fan properly:

1. For concrete ceiling, drill two holes in the ceiling and secure the mounting bracket to the ceiling with two  $\Phi 0.32$ "(8mm) (distance between the two holes should be appropriate) expansion screws, at washers nuts provided and tighten with a spanner.



2. For wood ceiling, secure the mounting bracket to the ceiling that is capable of carrying a load of at least 100lbs (45kgs) with two long mounting screws and washers provided. Be sure at least 0.12"(30mm) of the screw is threaded into the support.



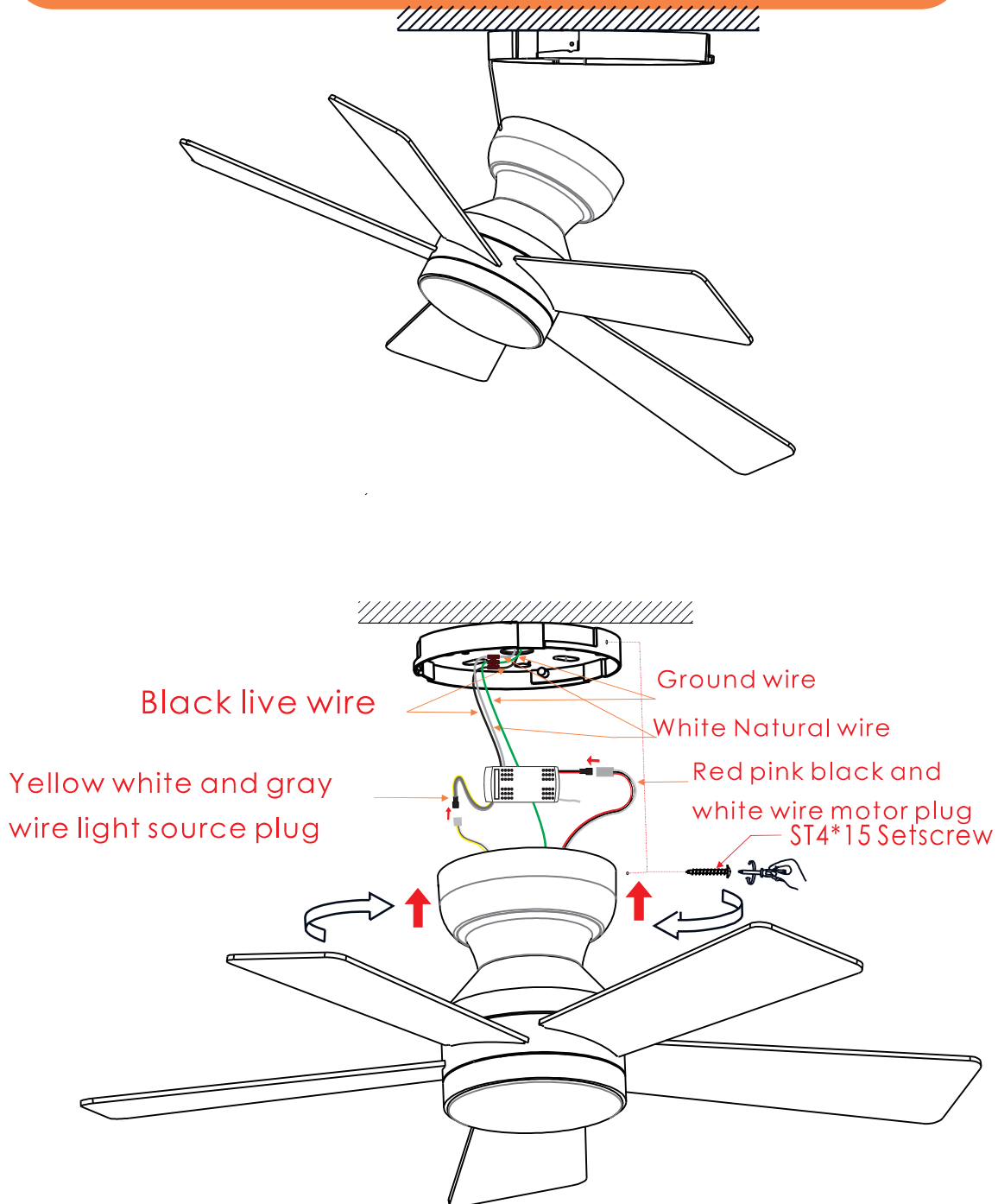


## WIRING CONNECTION

**⚠ WARNING** To avoid possible electrical shock , be sure the electricity is turned off in the main fuse box before wiring

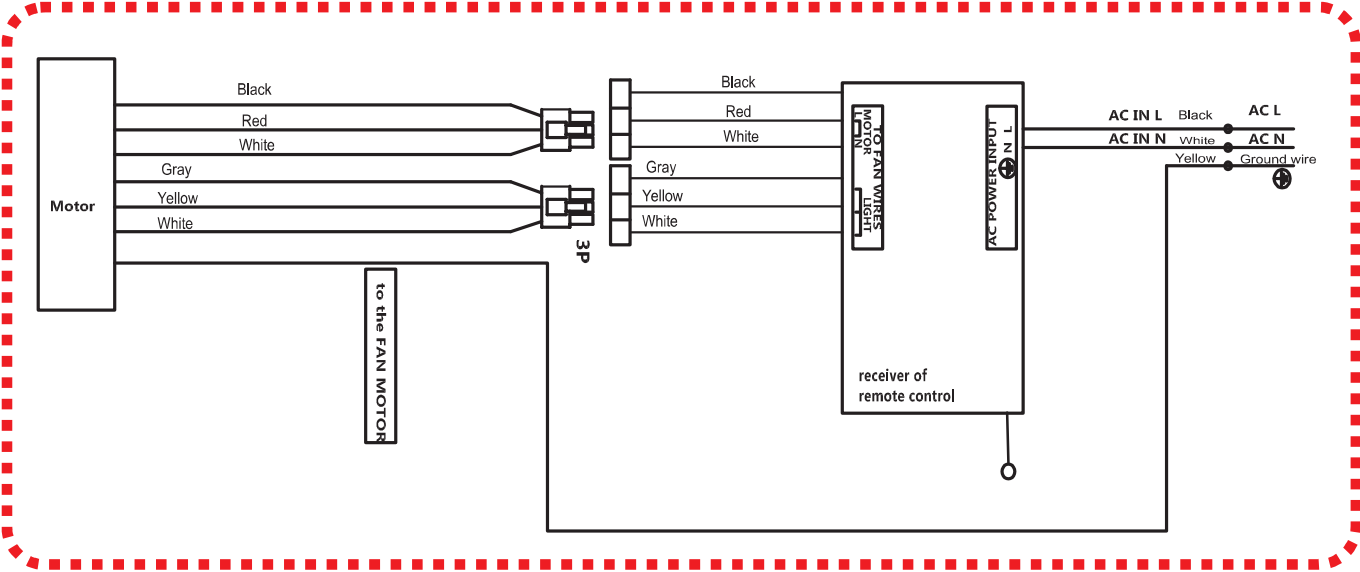
- 1 . Connect the black wire on the motor to the live wire in the room, the white wire on the motor to the natural wire in the room, and connet the yellow ground wire on the ceiling mounting plate to the ground wire in the room
2. Connect the same color wire on the receiver and fan body together
3. After wiring is completed , fix the fan lamp body onto the hanging board with screws

**Attention:** When installing this light fixture alone, please hang it on the hook of the hanging board according to the following diagram

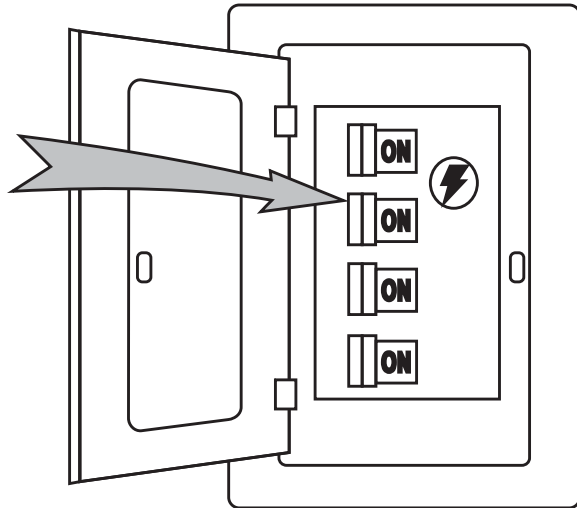




# WIRING DIAGRAM



Installation is now finished. Turn on the power switch. Then the fan lights are on Test and pair your fan immediately using the remote control.



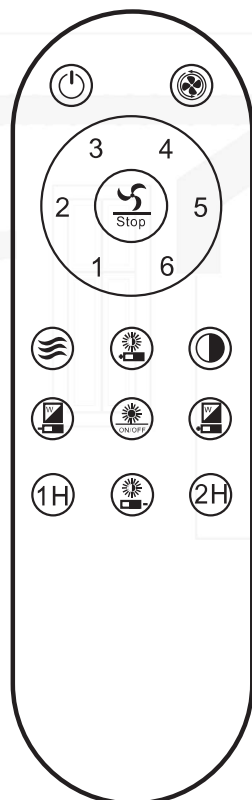
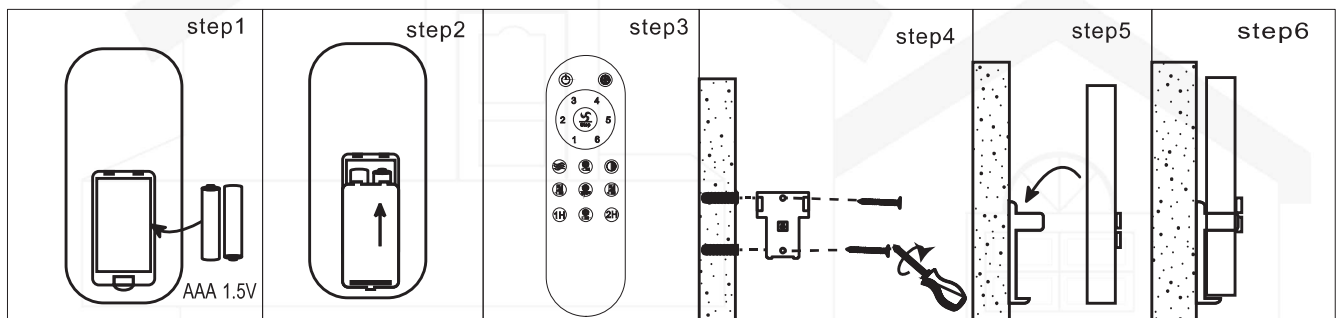
## REMOTE CONTROL SETTING AND OPERATION

1. Restore electrical to the outlet box by turning the electricity on at the main fuse box.
2. Remove the battery cover from the remote control transmitter, install the battery, and replace the cover.
 

Note:

  - 1). Use AAA 2 1.5V battery to replace battery.
  - 2). If not using for long periods of time, remove the battery to prevent damage to the remote transmitter, and store the remote transmitter away from excess heat or humidity.
3. The buttons on the remote control transmitter control the fan speed and light as follows.
4. Code pairing way : Press and hold the stop key within 5seconds of power on to complete code pairing . The light flashes or beeps to complete the pairing

## Remote Control ( Esmmitter ) Operation



- General shutdown (disable all functions)
- White light/warm light/neutral light color temperature switching
- Brightness decreases and brightness increases
- Color temperature decreases and color temperature increases
- Timed for 1 hour
- Timed for 2 hours
- Fan forward/reverse rotation
- Fan off ,Long press to match the code
- ①-⑥ 1-6 fan speed
- natural wind
- Light switch

1. Turn "ON" the power supply and within 30 seconds press and hold the transmitters "FAN ON/OFF" button for 5 seconds and a "beep" will be heard this will then activate a successful pairing and all functions will work normally.

### **IMPORTANT:**

pairing initial step must be performed within 30 seconds of power being turned on.

1(a). when pairing multiple fans please ensure the isolation switch or power supply to the first installed fan is turned off prior to pairing further fans e.g please pair one fan at a time

1(b). please ensure isolation switch is kept to the ON position, the isolation switch is not to be used as a light switch as this will damage and make the remote receiver inoperable

2. If the transmitter functions are not working please check the battery orientation and power level. Low battery voltage will affect the functions of your transmitter and operation of your fan. Other remote controls nearby using the same frequency may cause interference with the Fans receiver.

3. Please remove batteries from the transmitter if leaving unused for an extended period of time.

4. Remote supports 200w maximum on lighting side.

## **IMPORTANT REMINDERS**

1. Please note: Receiver must be correctly installed in the mounting bracket on fan

2. When the transmitter cannot control the receiver, please check the battery has sufficient charge in the transmitter.

3. When the transmitter cannot control the receiver, please check if there is any existence of similar remote controlled products nearby, causing interference with each other.

4. Low power of battery will affect the sensitivity of the transmitter and the signal reception accordingly, must replace if the battery is getting low power.

5. Please take the battery out from the transmitter when leaving unused for a long time, to avoid battery leaks.

6. Isolation Switch "Must be connected in the line."

7. When power is cut to the unit (via a blackout or otherwise) when power is restored the light will come on.

Before carrying out any cleaning or maintenance work, always make sure that the appliance is disconnected. LED lights are not removable. LED lights can only be used within the product delivery, they can not be replaced.

**Lock protection-** The DC motor has a built-in safety feature against blade or motor obstruction during operation. If something obstructs the fan blades or motor, the motor will keep trying to run and then stop operation after about 30 seconds of interruption. Please remove obstacles and reset. To reset: Turn the fan off by remote transmitter and then turn the fan on.

**Over load protection (current limit)-** The device will limit the maximum current output from the receiver/drive if the fan load has increased abnormally.

## Tips

1. If your fan operates automatically after installation and power on, it is because your fan has memorized the previous factory setting. Use the Universal Mode or the learning function and your fan will be ready for use.
2. If the fan or light isn't working, reset power (turn the power off for at least 5 seconds and then turn the power back on) and redo the learn function setting.
3. It is not possible to remotely operate more than one fan in the same room (in the area where the remote signal can reach to) if they share the same power supply. Separate power supplies (such as using individual wall switches for each fan) is required if you want to separately control more than one fan in same room.
4. When the fan is turned on or operated using forward/reverse function, it shutters & goes back & forth until it turns.  
This is a normal and it will take a few seconds to run this operation.

## MAINTENANCE

1. Periodic cleaning of your new ceiling fan is the only maintenance that is needed.
2. When cleaning, use only a soft brush or lint free cloth to avoid scratching the finish.
3. Abrasive cleaning agents are not required and should be avoided to prevent damage to finish.

### **WARNING**

*Do not use solvents when cleaning your ceiling fan. It could damage the motor and create the possibility of electrical shock.*

### **RECOMMENDED:**

Periodically check that the blade sets to the fan motor setscrews are secure and tight.



# COMMON TROUBLESHOOTING

## NOISE



When it is quiet (especially at night) you may hear occasional small noises. This is normal. Please allow a 24-hour “breaking-in” period, most noises associated with a new fan disappear during the time.

Your fan may occasionally jerk forward or backward upon starting up. This is normal and does not affect the fan operation. Try these troubleshooting steps before contacting customer service.

Problem	Solution
<b>Fan not spinning</b>	<ul style="list-style-type: none"> <li>• Make sure the fan is getting power.</li> <li>• Check your circuit breaker or fuse panel and wall switch for functionality.</li> <li>• Check to make sure the fan wires are correctly connected to the house wires.</li> <li>• Remote control must be paired with the fan within 1 minute after connecting the fan to the electricity.</li> <li>• Use a multi-meter and test the adapter wiring harness to see if there is any electrical output.</li> <li>• All the pin wiring on the circuit board must be inserted tight and in the correct position.</li> <li>• Remote needs to be paired with the fan first.</li> <li>• Make sure the fan blades spin freely.</li> <li>• If you're using a wall control, check the power to the breaker from your control and try working your ceiling fan manually. (Normal switch only for the fan power on/off)</li> </ul>
<b>Fan light not working</b>	<ul style="list-style-type: none"> <li>• Make sure LED wires are connected to the circuit board.</li> <li>• Make sure the whole fan is powered.</li> </ul>
<b>The fan is noisy and wobbling</b>	<ul style="list-style-type: none"> <li>• Check if the blade screws are NOT rubbing against any part of the motor housing.</li> <li>• Check the pin wires are NOT connected against any moving parts.</li> <li>• Check the down fan cup is NOT hitting the motor.</li> <li>• Confirm the canopy is NOT touching the ceiling while the fan is in operation.</li> <li>• Check the down rod is NOT slanted.</li> <li>• Tighten any loose screws on the light kit, fan blades, motor coupling, down rod, brackets and mounting hardware.</li> <li>• Confirm the hanger ball is firmly seated in the mounting bracket.</li> <li>• The ceiling beam must meet the minimum tensile test strength of 30KG for installation.</li> <li>• Make sure the blades and brackets are NOT bent or deformed.</li> <li>• Verify the wire connections are not rattling against each other.</li> <li>• Verify the fan blades are not cracked. If the fan blades are cracked, replace the damaged blades with a new blade set from the same brand as your ceiling fan to ensure compatibility.</li> <li>• Confirm the light kit is NOT slanting and hitting the motor.</li> </ul>
<b>The fan or light automatically turns on/off</b>	<ul style="list-style-type: none"> <li>• Confirm the circuit breaker is not malfunctioning.</li> <li>• Verify the wire connections are not frayed.</li> <li>• Check the app is not set to a timer or schedule.</li> <li>• Cut the fan power for 10 minutes then power on again.</li> <li>• All the pin wiring on the circuit board must be inserted tight and in the correct position.</li> </ul>



# CUSTOMER SERVICE

## 01 30-Day Return Policy

If you're not completely satisfied with your purchase, simply return the merchandise via Amazon Orders. Unused merchandise can be refunded or exchanged within 30 days from the original purchase date.

## 02 2-Year Warranty

We take user experience very seriously. We provide you with good after-sales service, motor is guaranteed for ten (10) years and the whole fan warranty for two (2) years.

If your appliance fails to operate properly within our warranty period, we will arrange a new replacement free of charge and cover all the shipping costs.

## 03 Quick Response within 12 Hours

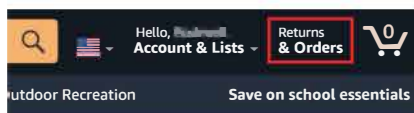
If you are still unable to resolve the issue you are experiencing, please contact us immediately at our support email. It doesn't matter if the product has been installed, our customer support team will respond within 12 hours and assist you quickly and efficiently.

The most efficient way to confirm your problem to us is to attach a video illustrating your product issue.



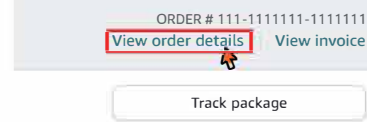
# CONTACT US

### Step 1



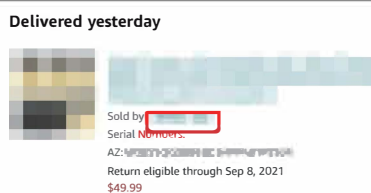
Log into your account, click "**Returns & Orders**" on the top-right corner.

### Step 2



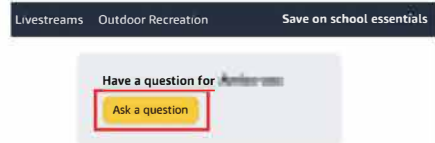
Find your order in the list and click "**View order details**".

### Step 3



Click the "**Store Name**" following the Sold by, below the product title.

### Step 4



Click the yellow button "**Ask a question**", on the top-right corner, to contact the seller.

Should you experience any issues while operating any of our products, you can directly reach out to our Customer Support or you can send your inquiry to our Official Customer Support.