

NOTICE

Please make sure that you have all parts indicated and they are in good condition before you begin assembly of this item. Refer to part list and hardware list below for guidance.

This item should be assembled on a soft surface to prevent scratching the finish during assembly.

This item may require periodic tightening.

If you are having difficulty, our friendly Customer Care team is always here to help.

PREPARATION

* Before beginning assembly of product, make sure all parts are present. Compare parts with part contents list and hardware contents list.

* If any part is missing or damaged, do not attempt to assemble the product.

* Estimated Assembly Time: **15 minutes**.

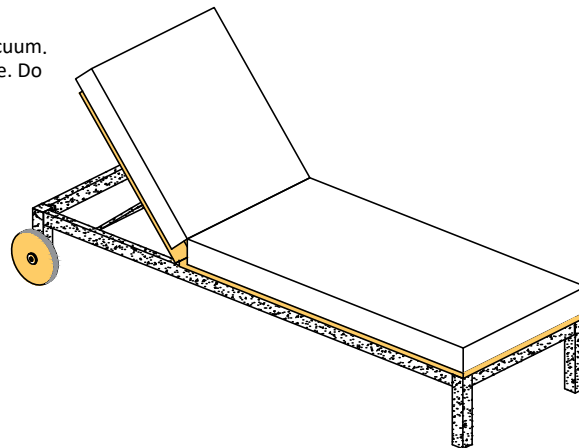
* Tools Required for Assembly (included): **Allen Key**

CARE AND MAINTENANCE

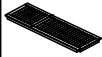


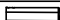




Store outdoor furniture indoors or cover well when not in use. Dust regularly with small brush or vacuum.





Spills should be taken care of immediately before they harden or stain with a slightly damp sponge. Do not use bleach solutions

Product Dimensions:
25.59"W x 82.68"D x 12.20"H



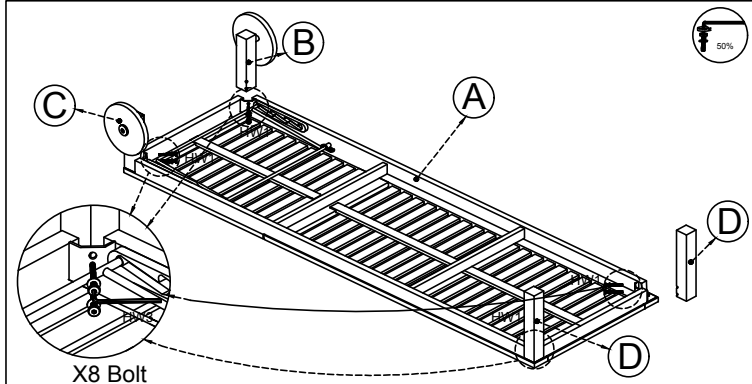
Part List and Hardware List

PIECE	DESCRIPTION	PICTURE	QUANTITY
A	Sunlounger		1X
B	Right Back Leg		1X
C	Left Back Leg		1X
D	Front Leg		2X
CSH	Sunlounger Cushion		1X
HW1	Allen Bolt: M6 x 0.5 x 60 mm		8X
HW2	Flat Washer: M6 x 1 mm		8X
HW3	Allen Key		1X

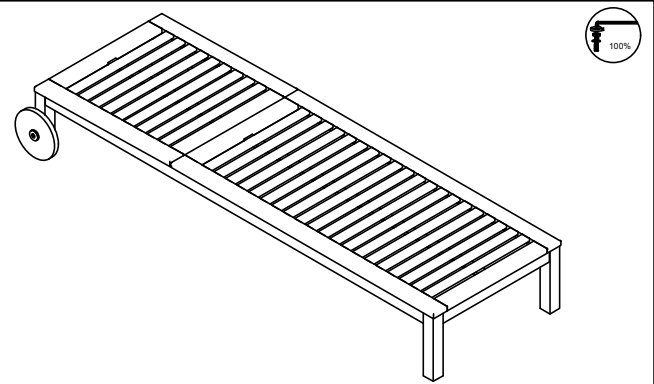
  **WARNING**  
Weight Capacity : 352 lbs
Warning : Do not stand on Sunlounger
Warning : Do not over torque bolts

PREPARATION

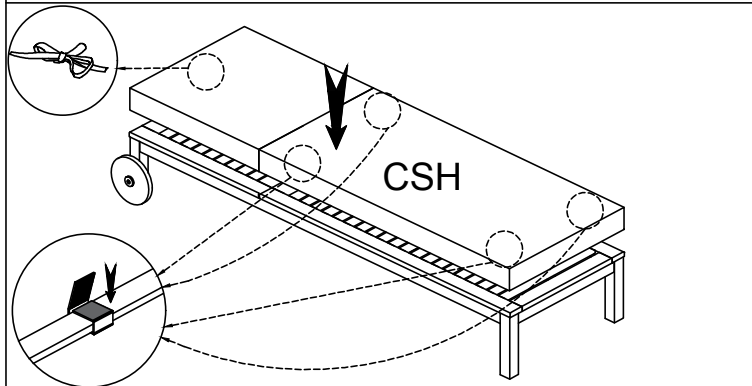
- * Before beginning assembly of product, make sure all parts are present. Compare parts with part contents list and hardware contents list.
- * If any part is missing or damaged, do not attempt to assemble the product.
- * Estimated Assembly Time: **20 minutes.**
- * Tools Required for Assembly (included): **Allen Key**
- * If you are having difficulty, our friendly Customer Care team is always here to help.



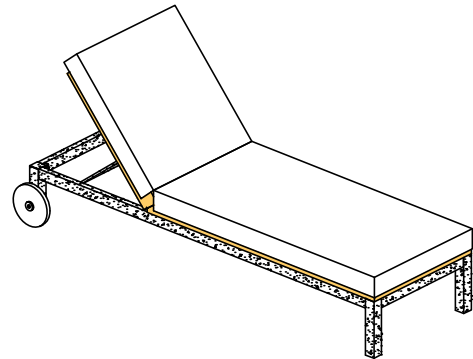
STEP 1: Connect The Sunlounger (A) & Right Back Leg (B), Left Back Leg (C), Leg Front (D), tighten Bolt (HW1) and Flat Washer (HW2) with Allen Key (HW3).



STEP 2 : Put the Sunlounger upright and make sure all legs are level, then firmly tighten Bolts with Allen Key (HW3).



STEP 3: Place Cushion (CSH) on Lounger to finish Sunlounger.



FINISH .