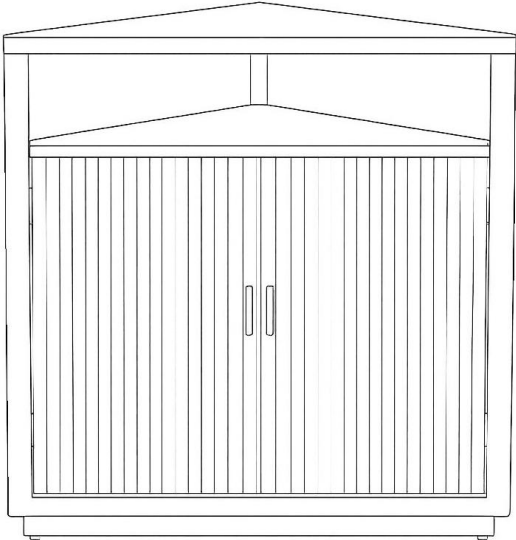


Ahokua

# Assembly Instruction

Accent Cabinet







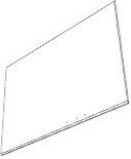







# Thanks for buying this Living Room Furniture.





## **⚠ WARNING:**

- Read all instructions carefully and completely before assembly and use.
- Retain for future reference.
- **DO NOT use power tools.**
- **DO NOT over-tighten hardware.**
- Periodically check all hardware and re-tighten as necessary.
- DO NOT use product if any component becomes damaged.
- For residential (non-commercial) use only.
- DO NOT sit or stand on product. Use only for intended purpose.
- DO NOT exceed 80lbs for the tabletop and 20lbs for the shelf, evenly distributed.

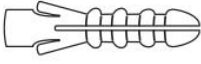

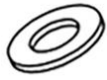
## Parts List

Check all parts before assembly

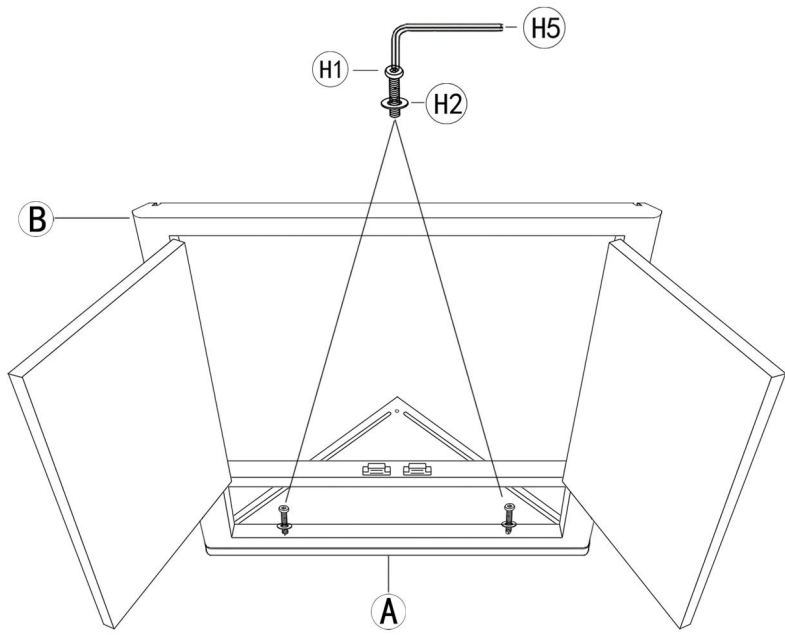
<p>A. <u>Table top</u></p>  <p style="text-align: right;">*1</p>	<p>B. <u>Front panel</u></p>  <p style="text-align: right;">*1</p>	<p>C. <u>Back bar</u></p>  <p style="text-align: right;">*1</p>	<p>D. <u>Side Panel</u></p>  <p style="text-align: right;">*1</p>
<p>E. <u>Side Panel</u></p>  <p style="text-align: right;">*1</p>	<p>F. <u>Bottom Panel</u></p>  <p style="text-align: right;">*1</p>	<p>G. <u>Shelf</u></p>  <p style="text-align: right;">*1</p>	<p>H. <u>Shelf</u></p>  <p style="text-align: right;">*1</p>
<p>H1. Hex bolt</p>  <p style="text-align: right;">*5(+1 extra)</p>	<p>H2. Washer</p>  <p style="text-align: right;">*4 (+1 extra)</p>	<p>H3. Bolt</p>  <p style="text-align: right;">*1 (+1 extra)</p>	<p>H4. Screw</p>  <p style="text-align: right;">*1(+1 extra)</p>

<p>H5. Allen Key</p>  <p style="text-align: right;">*1</p>	<p>H6. Shelf pin</p>  <p style="text-align: right;">*4</p>	<p>H7. Foot pad</p>  <p style="text-align: right;">*3</p>	<p>H8. Spanner</p>  <p style="text-align: right;">*1</p>
--	---	--	--

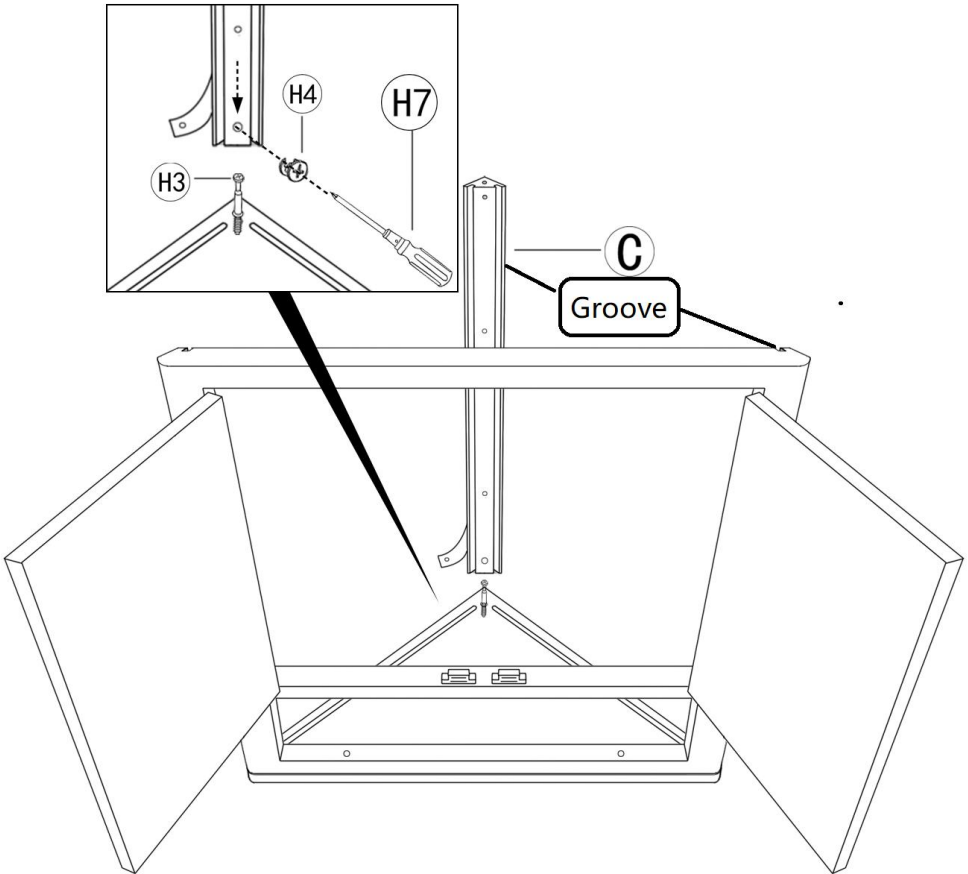
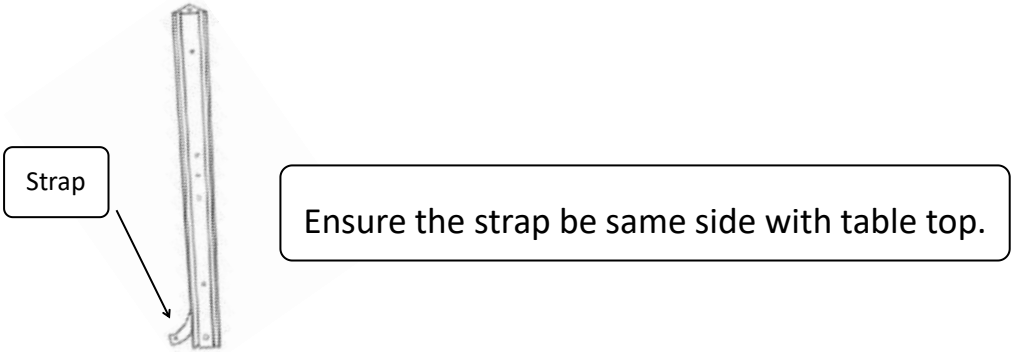
**Anti Tipping Hardware**

<p>H9. Plastic screw anchor</p>  <p>*1</p>	<p>H10. Long Screw</p>  <p>*1</p>	<p>H11. Washer</p>  <p>*1</p>
--	--	--

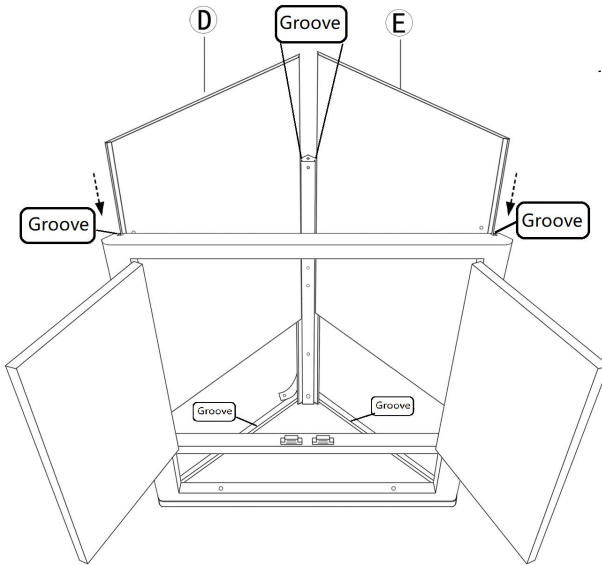
Step 1: Put the Tabletop (A) on a soft surface to protect the finish. Attach Front panel (B) to the Top (A) with Hex bolts (H1) and Washers (H2) using Allen key (H5). **Leave hardware loose in this step.**



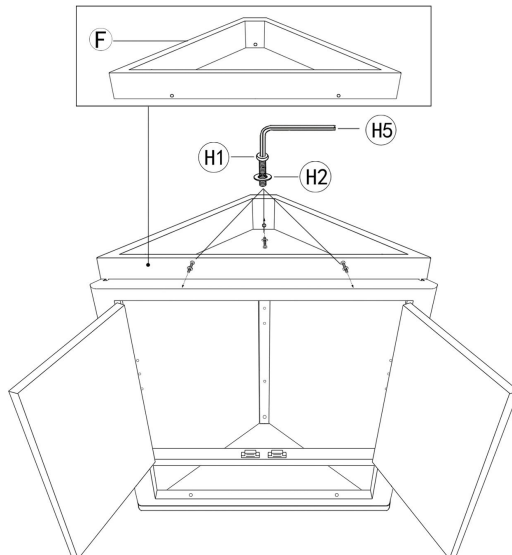
Step 2: Insert the Bolt (H3) to the Top (A), and attach the Back bar (C) to it with Screw(H4) by Spanner (H8) as below. **Leave hardware loose in this step.**



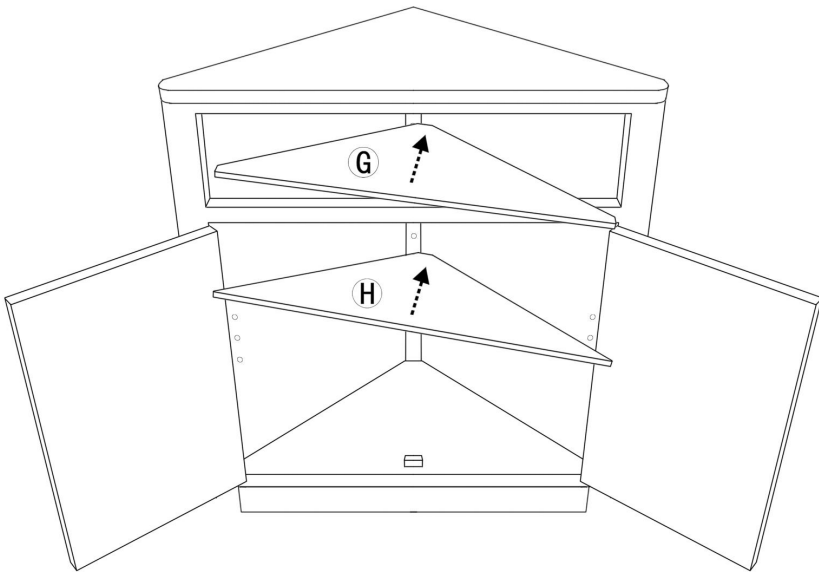
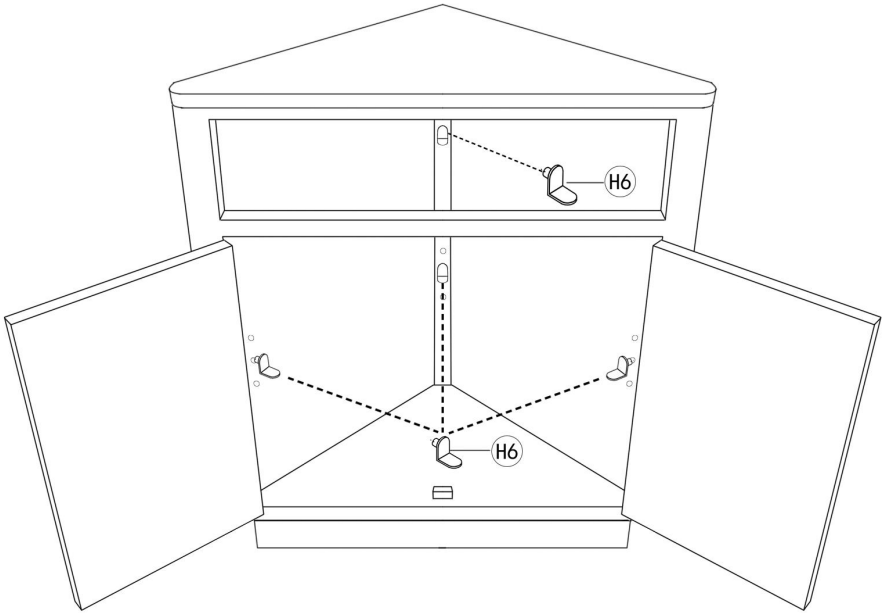
Step 3: Insert the Side panels (D&E) as shown below. Ensure the side panel (D&E) aligned with Groove on the Back bar (C) & Front panel(B)&Table top(A).



Step 4: Attach the Bottom panel (F) with Hex bolts (H1) and Washers (H2) by Allen key (H5) as shown in picture below. **Fully tighten all bolts from Step 1 to 4.**



Step 5: Open the doors, insert the Metal tab (H6) into the holes. Place the Shelf (G&H) inside as shown in picture below.




## Wall Strap Installation Instructions

Wall straps have been pre-installed on your furniture for added safety.

### Final Assembly Step: Securing the Furniture to the Wall

Position the furniture near the wall and identify where the wall straps will attach.

 For a cleaner appearance, mark the fixing points slightly below the top surface of the furniture so the straps will be hidden when viewed from the front. Move the furniture slightly away from the wall. Drill holes at the marked positions and insert the provided plastic wall anchors.

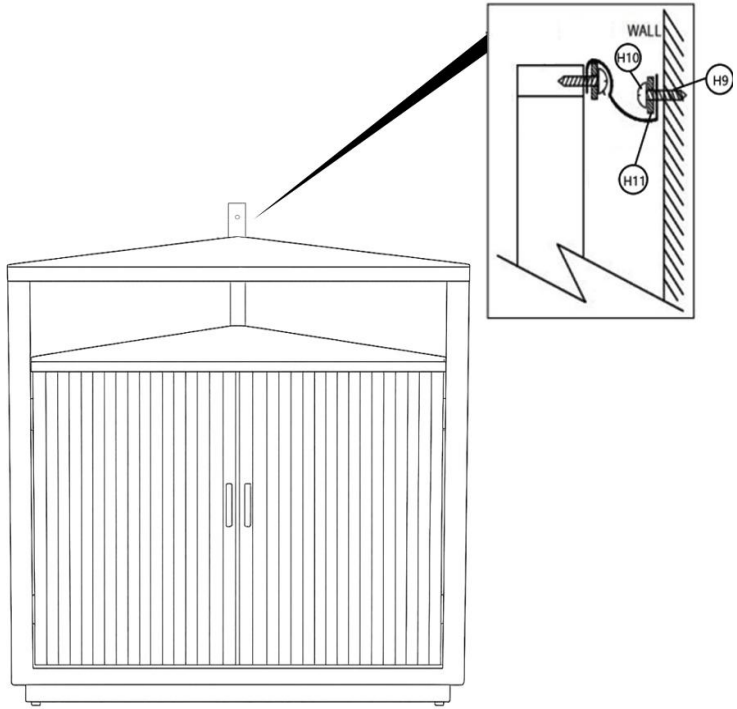
Push the furniture back against the wall, ensuring the wall straps are hanging down behind it.

Align the straps with the wall anchors and fasten using the long screws and washers. Tighten securely with a screwdriver, making sure both sides are properly aligned.

### Safety Warning:

This product must be securely fixed to a wall to prevent tipping, especially during use.

Before drilling, always check that the wall area is free of hidden electrical wires, plumbing, or gas lines.



**Notice:**

If you encounter any issues during installation or use, please email us at [support@mi-din.com](mailto:support@mi-din.com), including your order ID and a detailed description of the problem. If possible, please provide relevant images to expedite assistance. We will strive to resolve any issues promptly.