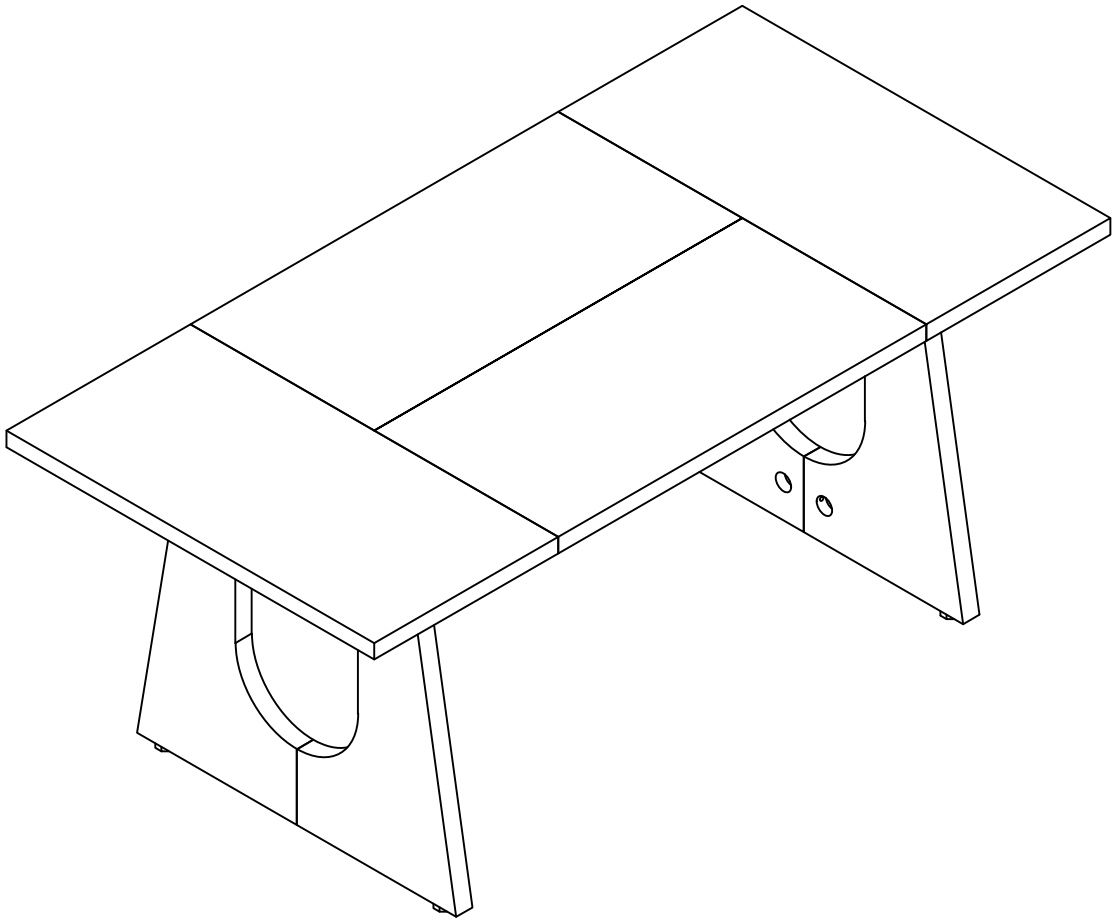
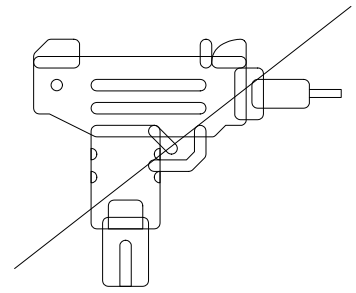
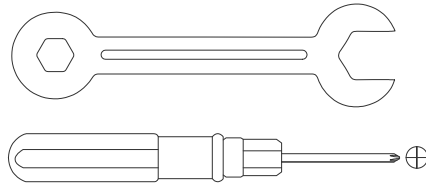
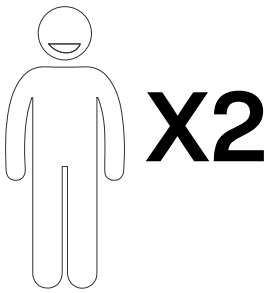


Assembly Instructions

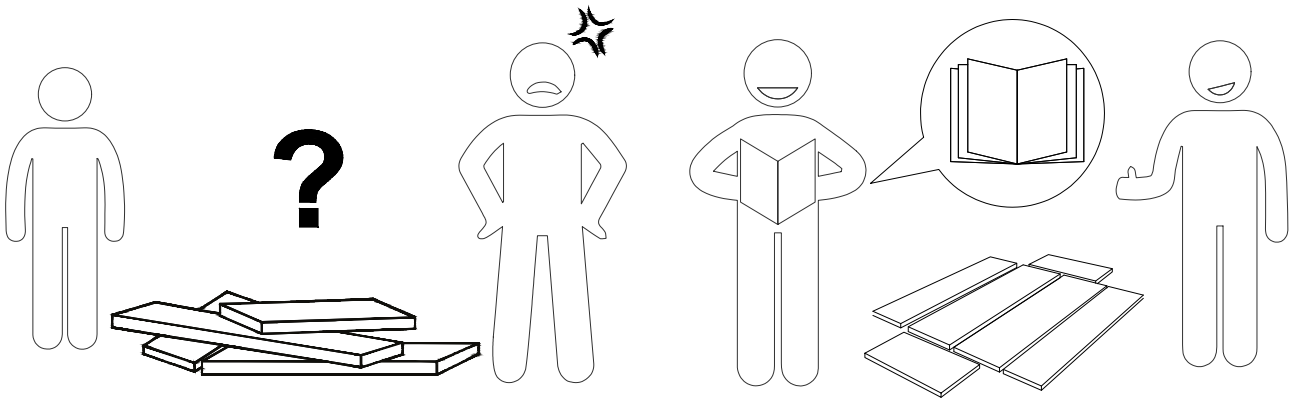


Dining-table	
--------------	--



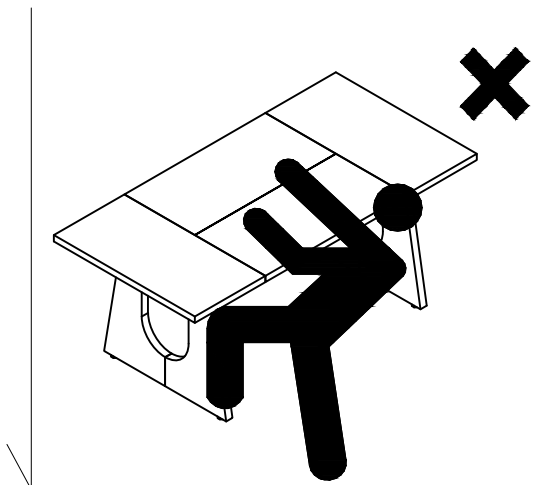
We recommend using hand tools for assembly.

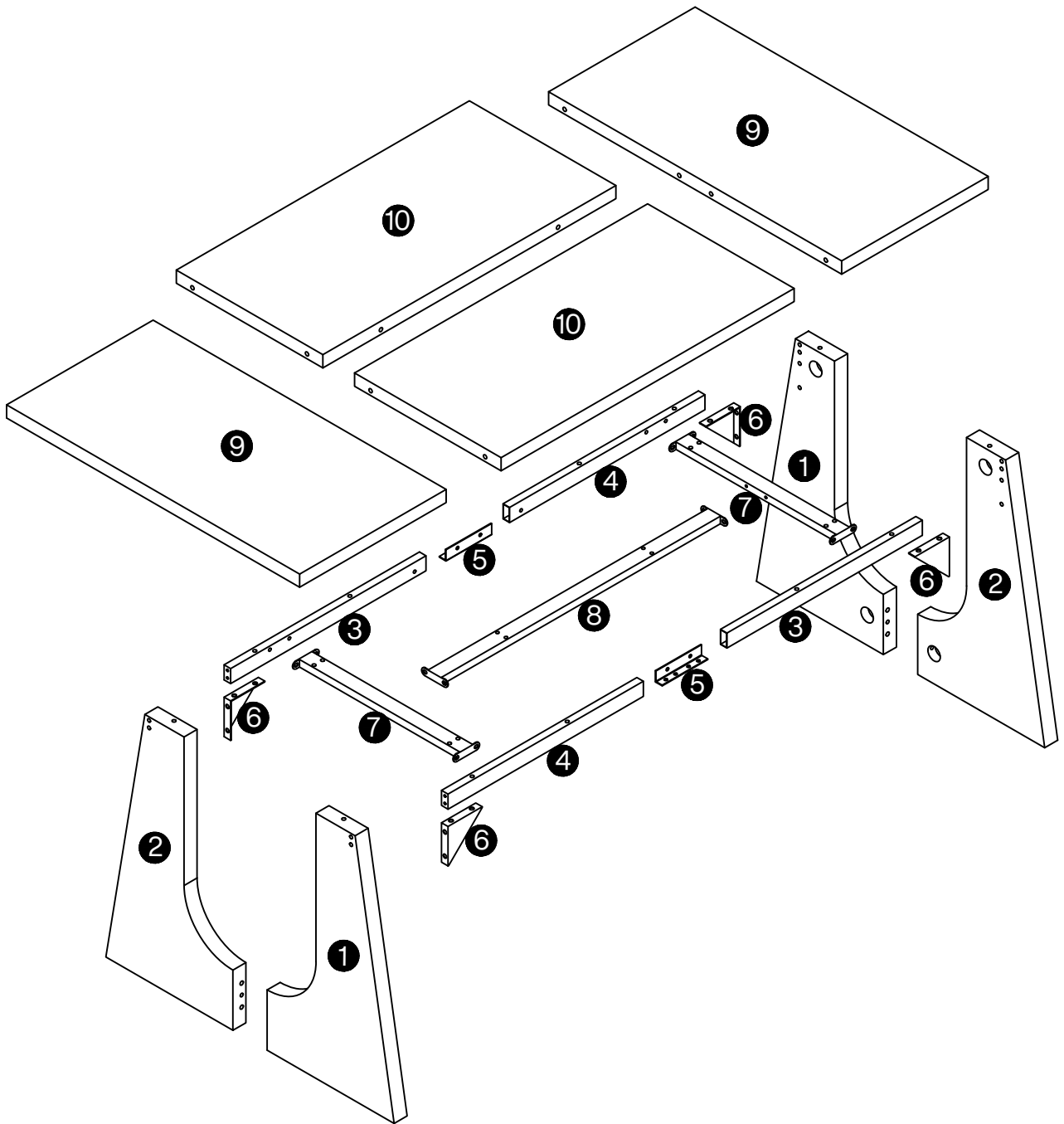
If an electric screwdriver is used, reduce power and torque to avoid damage to the product.



Install the Anti-Tip Straps

Using the anti-tip straps can reduce the risk of tipping over, but can not eliminate it.





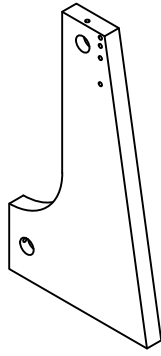
⚠ Caution

Make sure all parts are included. Most board parts are labeled or stamped on the raw edge. Contact us for a free replacement if you encounter any damaged or missing parts.

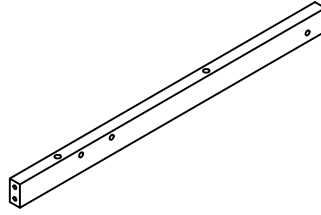
Parts List



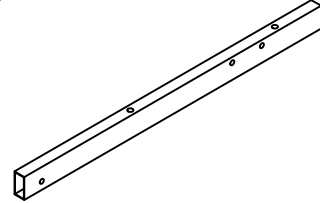
1 2pcs



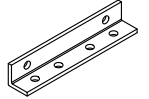
2 2pcs



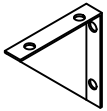
3 2pcs



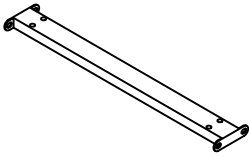
4 2pcs



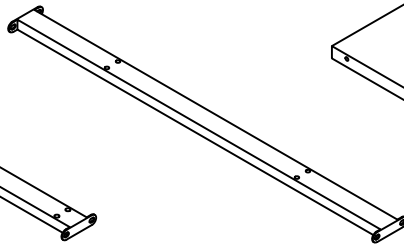
5 2pcs



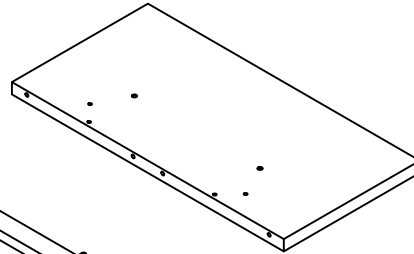
6 4pcs



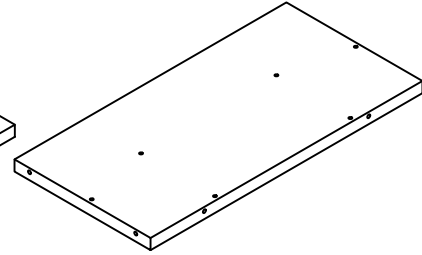
7 2pcs



8 1pc



9 2pcs



10 2pcs

Hardware List



Ø6X12MM

A

36pcs



Ø6X35MM

B

12pcs



Ø6X55MM

C

16pcs



Ø10X30MM

D

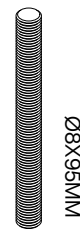
14pcs



Ø8X70MM

E

4pcs



Ø8X95MM

F

2pcs



G1

8pcs

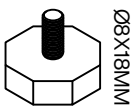


M8

G2

8pcs

G



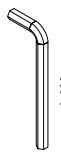
Ø8X18MM

H

4pcs



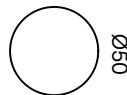
2pcs



M4

1pc

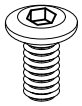
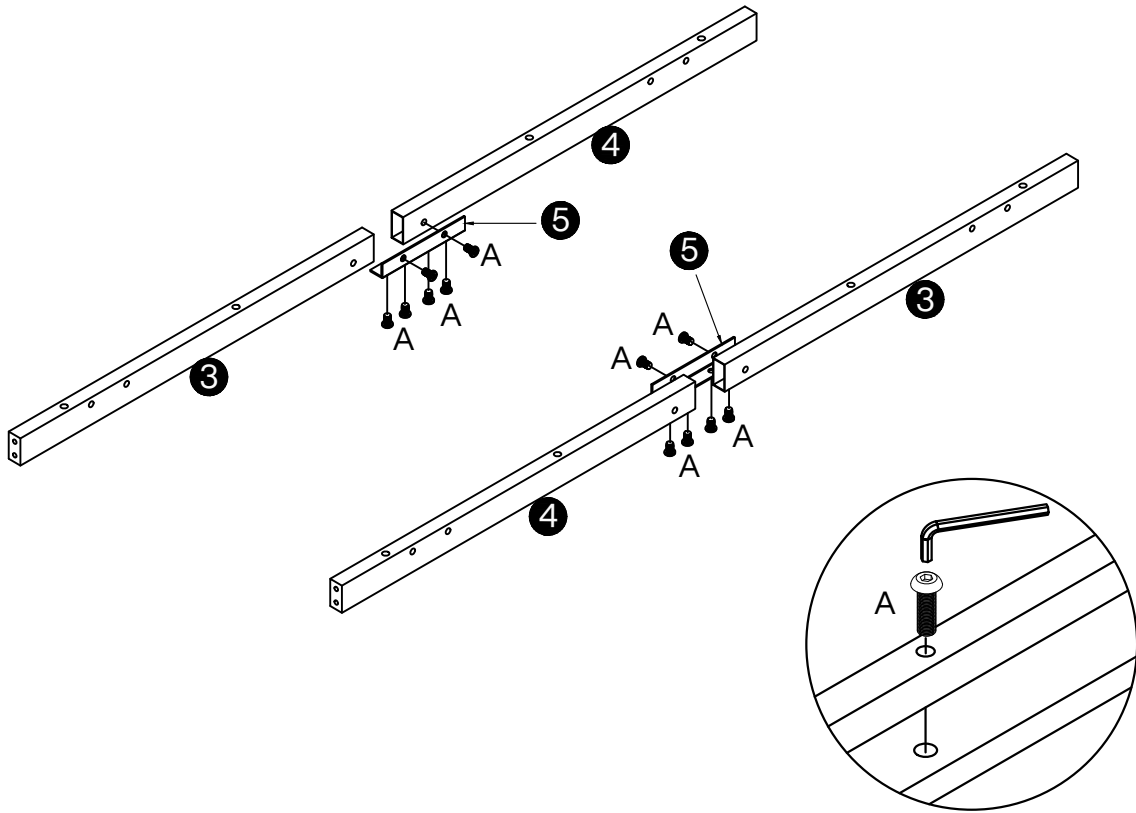
I



Ø50

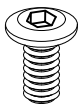
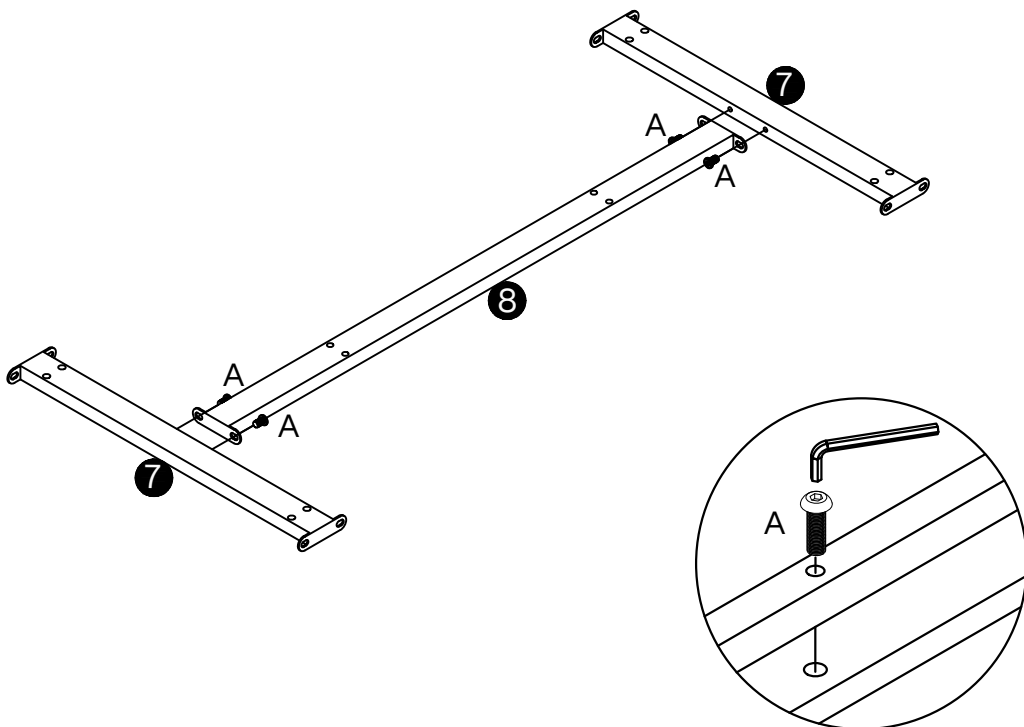
8pcs

1



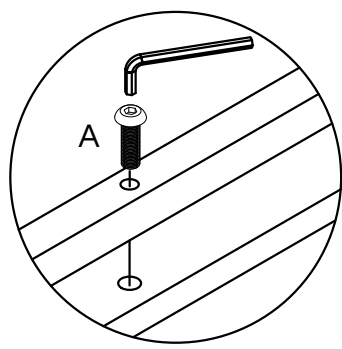
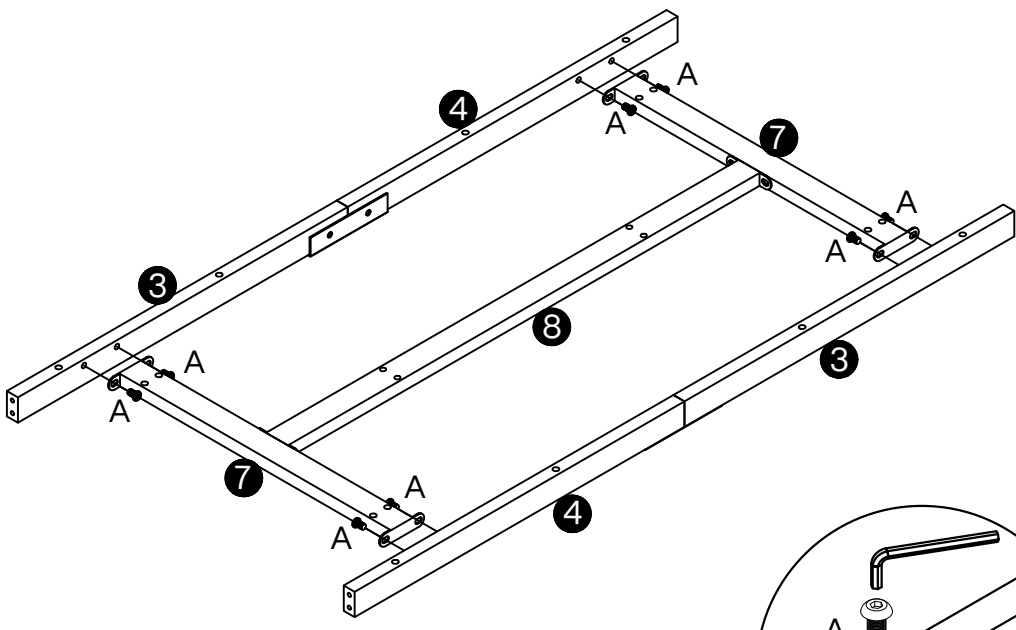
A
12 pcs

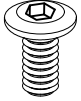
2



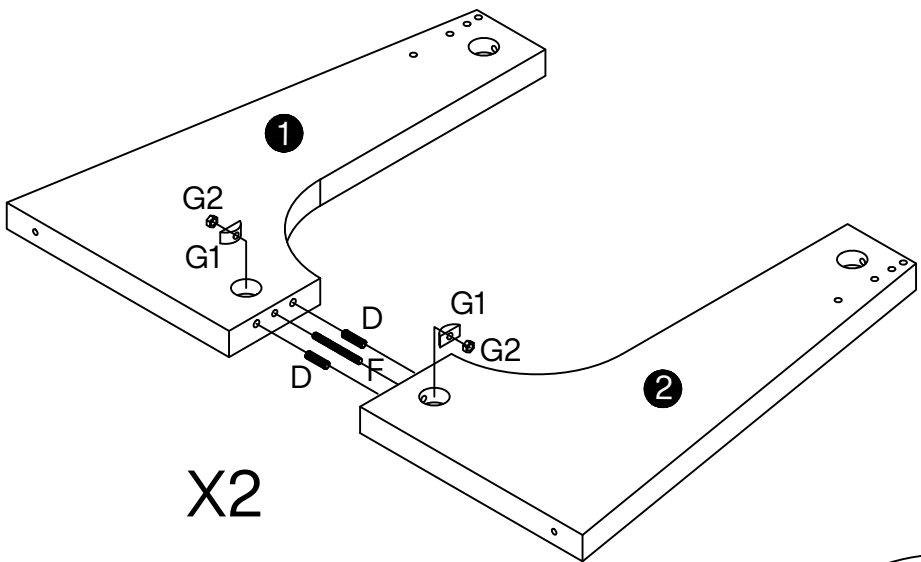
A
4 pcs

3

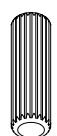
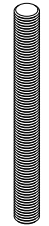





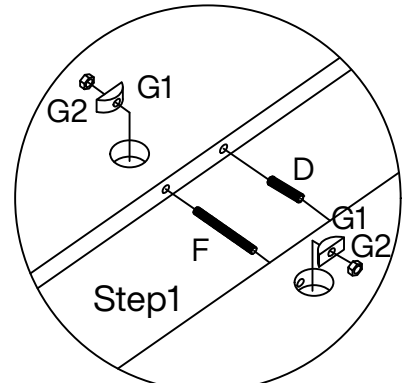
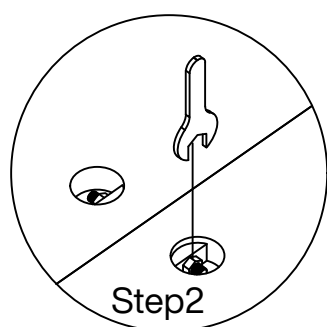
- 
- A**
- 8 pcs

4

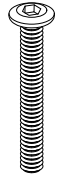
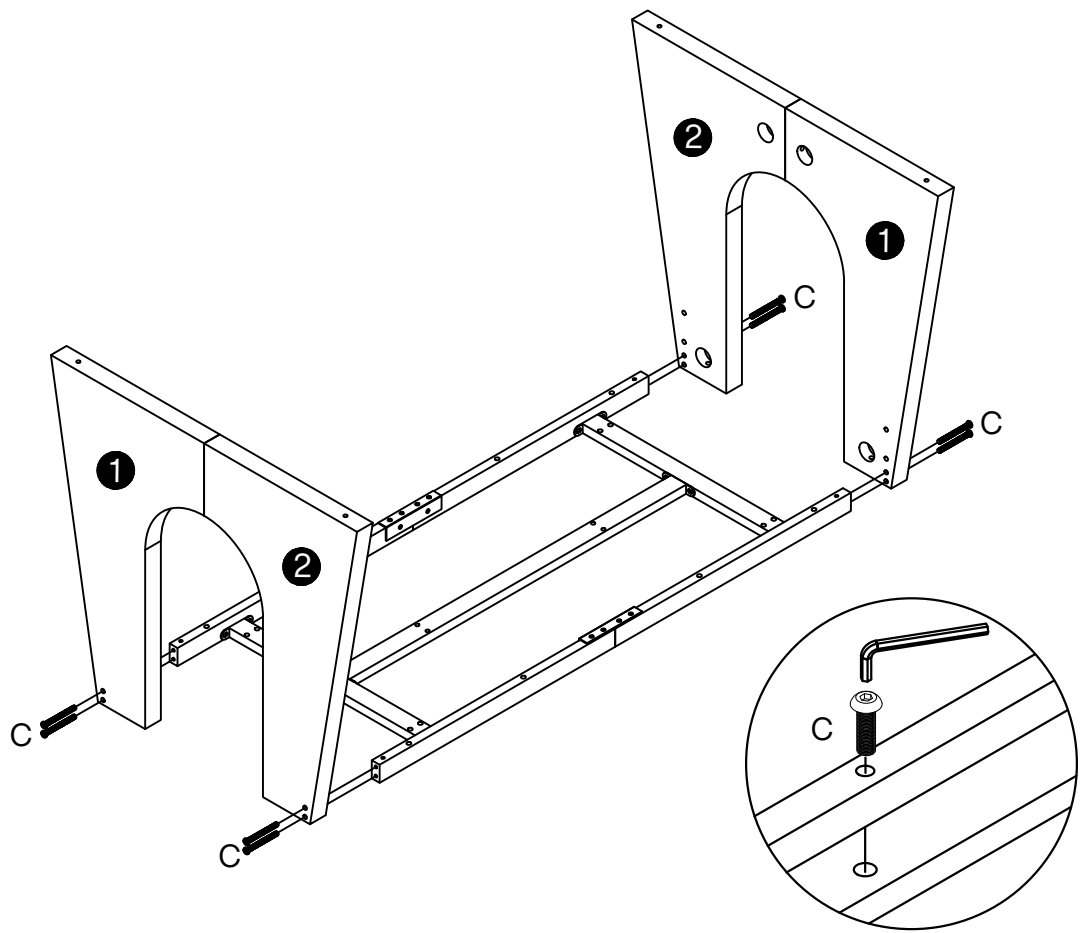


X2

- 
 - D**
 - 2 pcs
- 
 - F**
 - 1 pcs
- 
 - G1**
 - 2 pcs
- 
 - G2**
 - 2 pcs
- 
 - M8

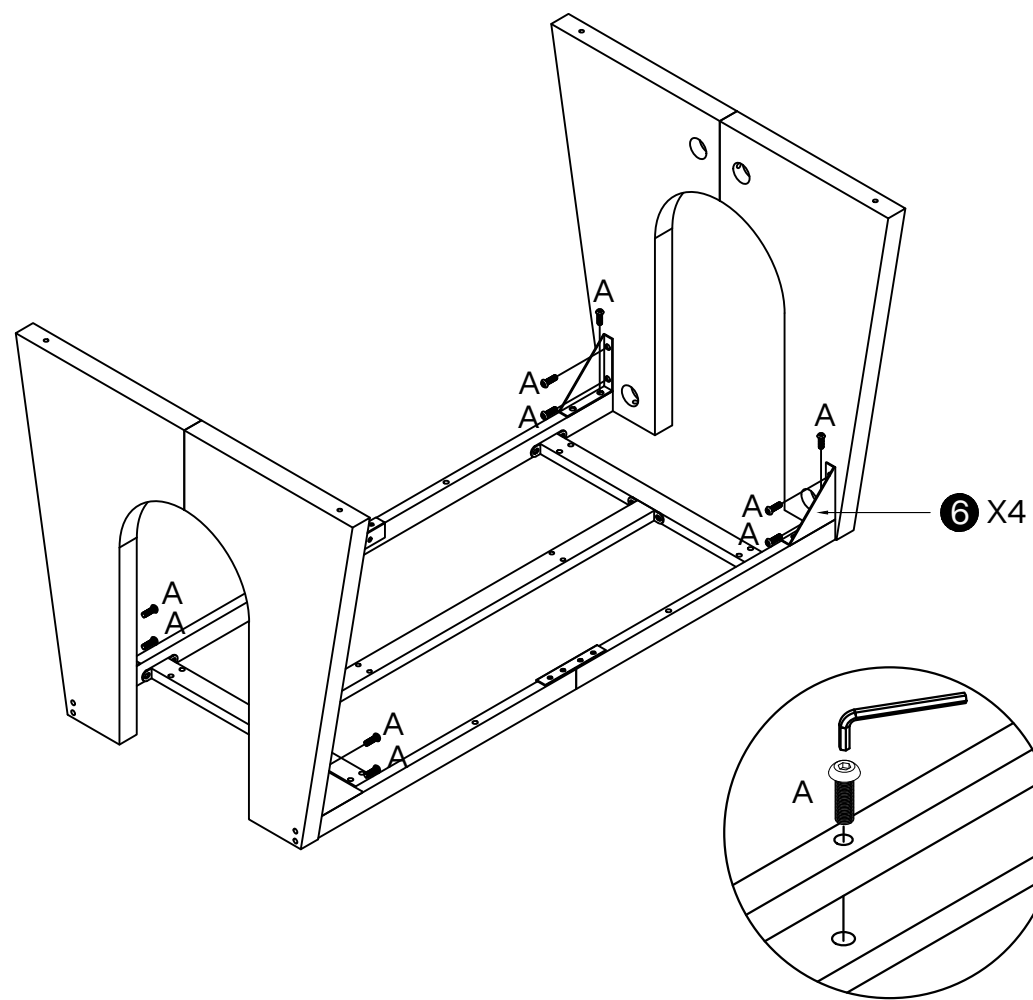


5



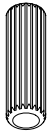
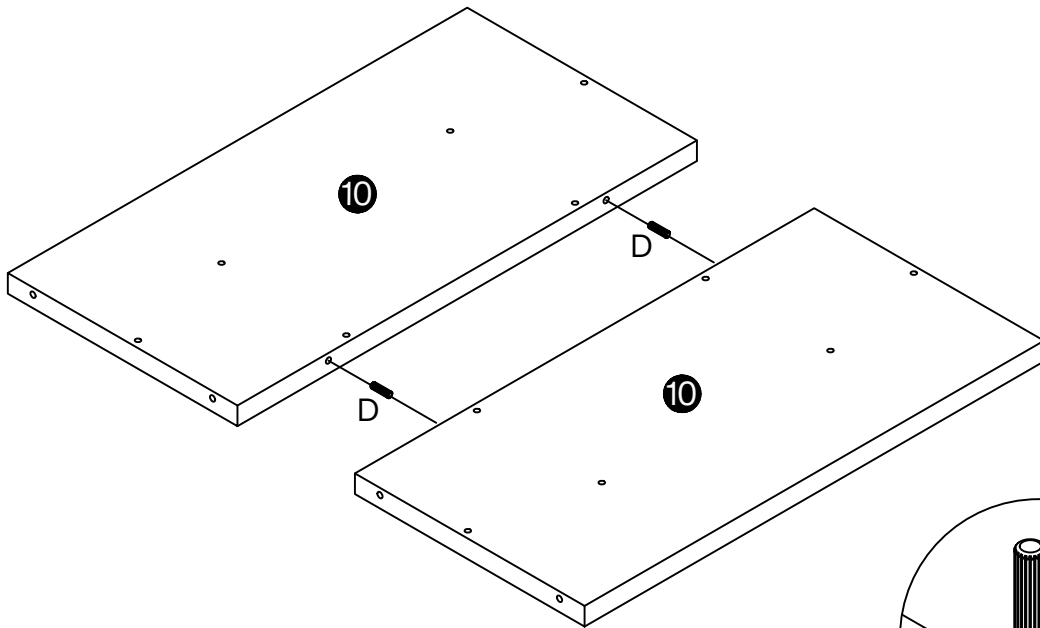
C
8 pcs

6

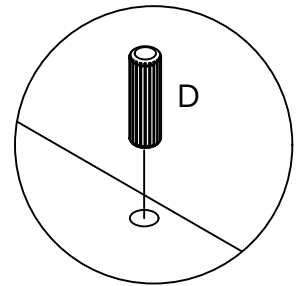


A
12 pcs

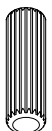
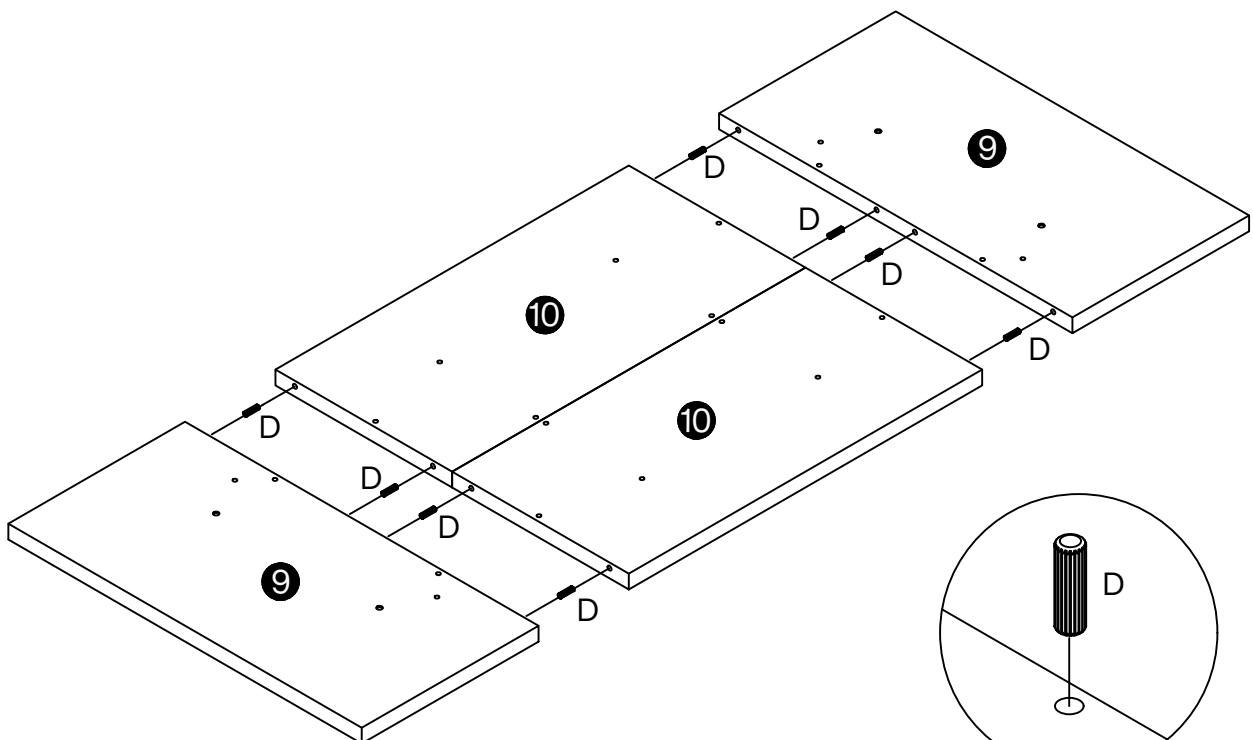
7



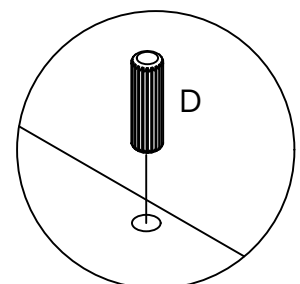
D
2 pcs



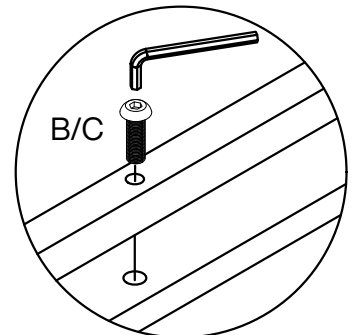
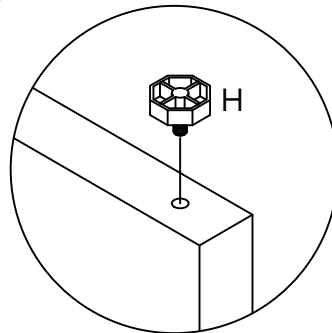
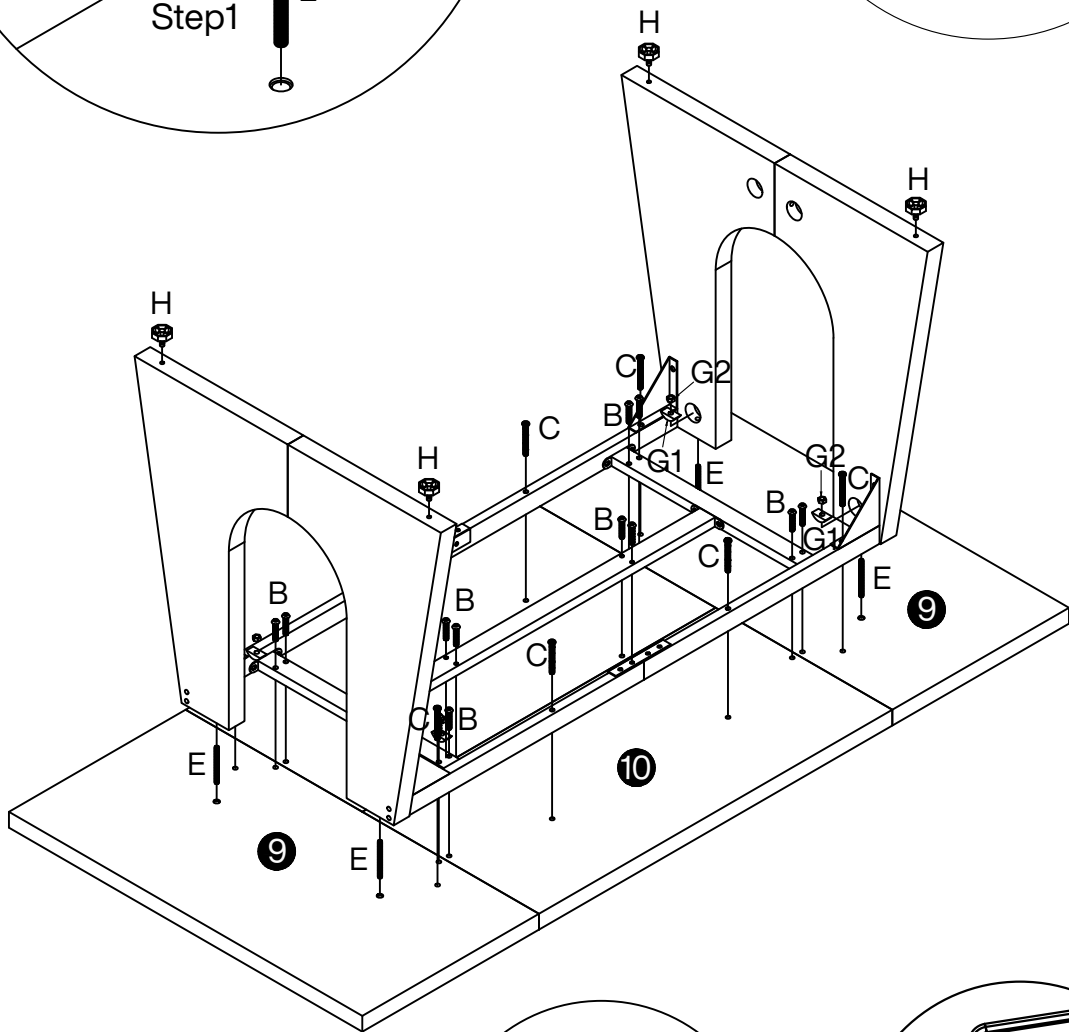
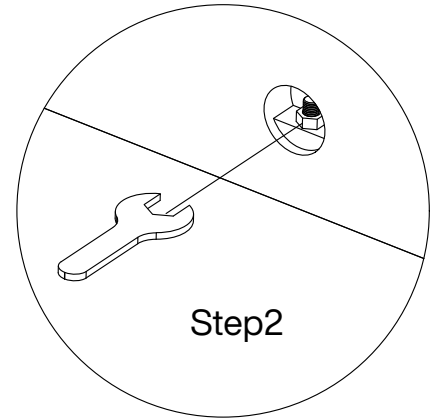
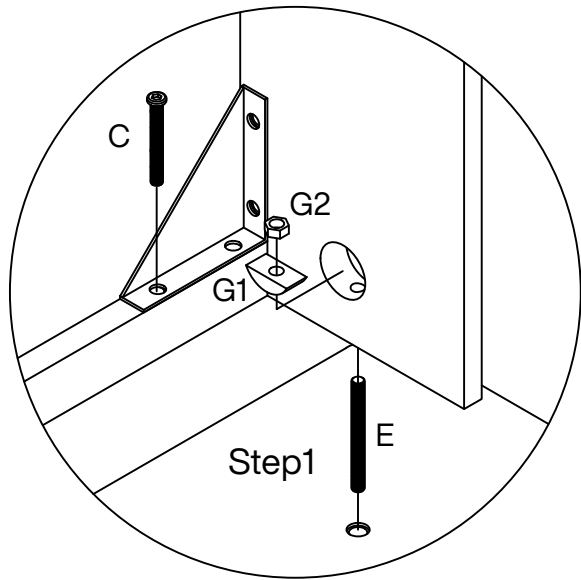
8

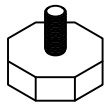
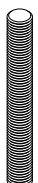
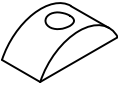

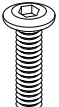
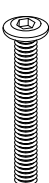


D
8 pcs



9



- | | | | | | |
|--|---|---|---|---|---|
|  |  |  |  |  |  |
| H | E | G1 | G2 | B | C |
| 4 pcs | 4 pcs | 4 pcs | 4 pcs | 12 pcs | 8 pcs |

Assembly Instructions

