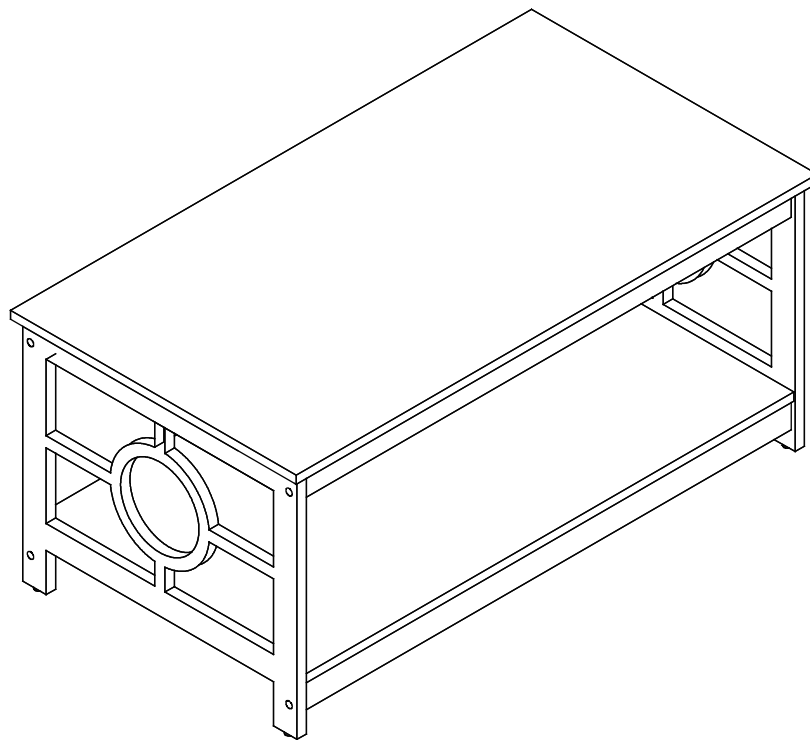


COFFEE TABLE

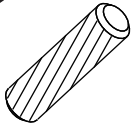
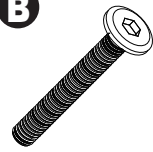


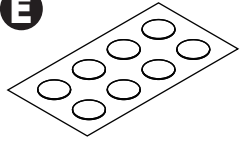




ASSEMBLY INSTRUCTIONS

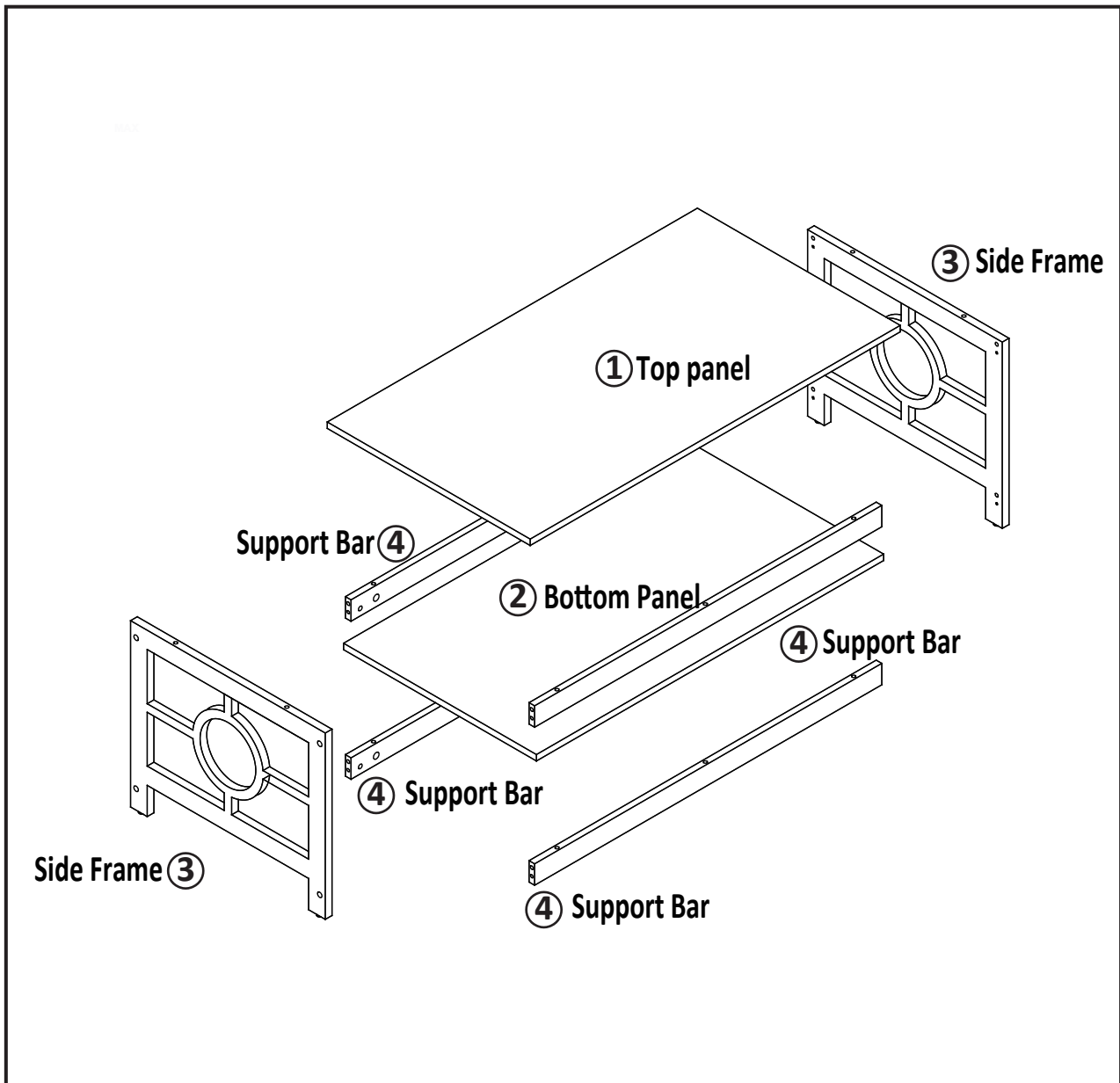
We have designed our furniture with you , the customer in mind . Our clear , easy to follow , step by step instructions will guide you through the project from start to finish . Feel confident that this will be a fun and rewarding project . The final product will be a quality piece of furniture that will go together smoothly and give years of enjoyment .

Allen Bolt(8pcs)

Hardware List

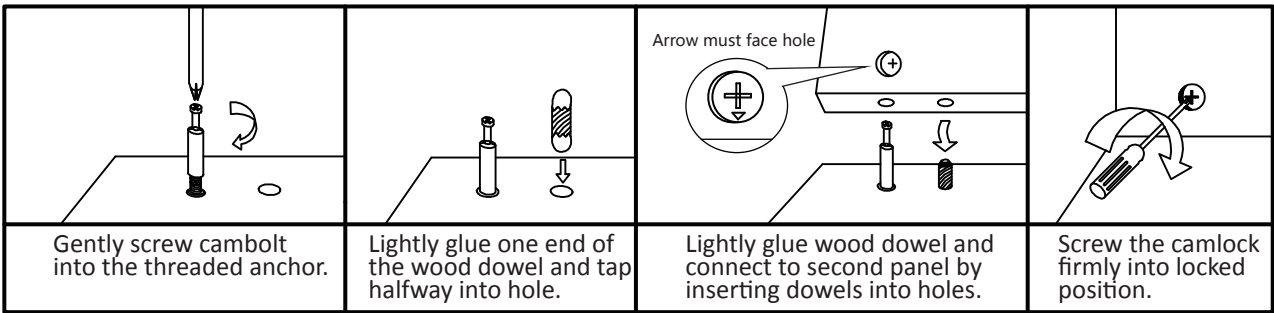
A 	B 	C 	D 	E 
Wood Dowel(12pcs)	Allen Bolt(8pcs)	LOCK Nut(8pcs)	Cam Bolt (12pcs)	Stickers (8pcs)
F 	G 			
Cam Lock (12pc)	Allen Wrench(1pcs)			Glue : For securing please apply to wood dowel first before inserting into panel .

Panel List



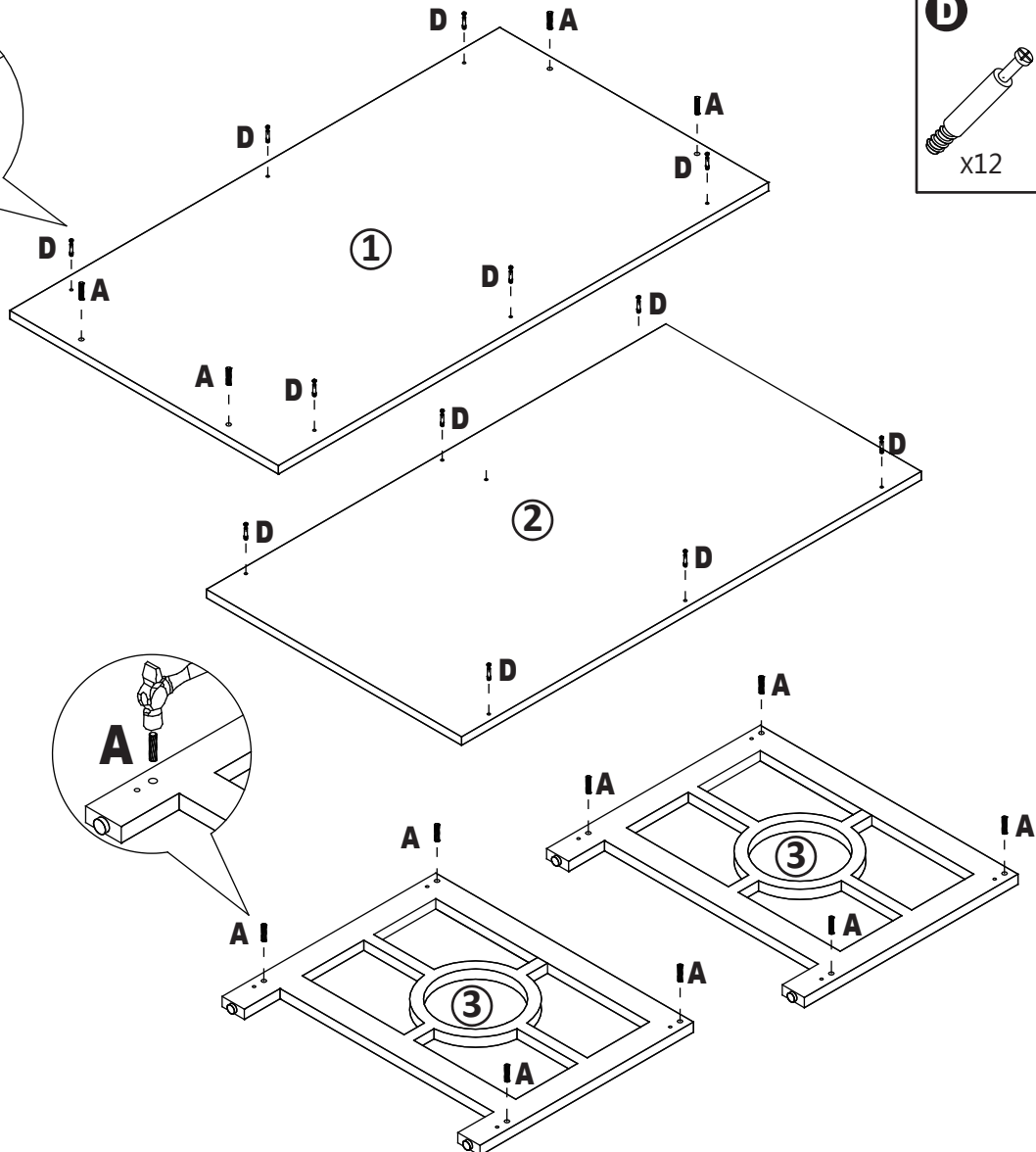
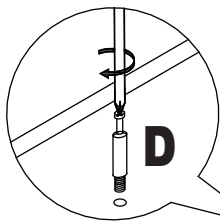
Please count and verify all parts before assembly .

Assembling the unit with camlocks and wood dowels.



Step 1

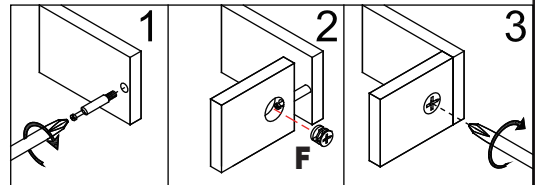
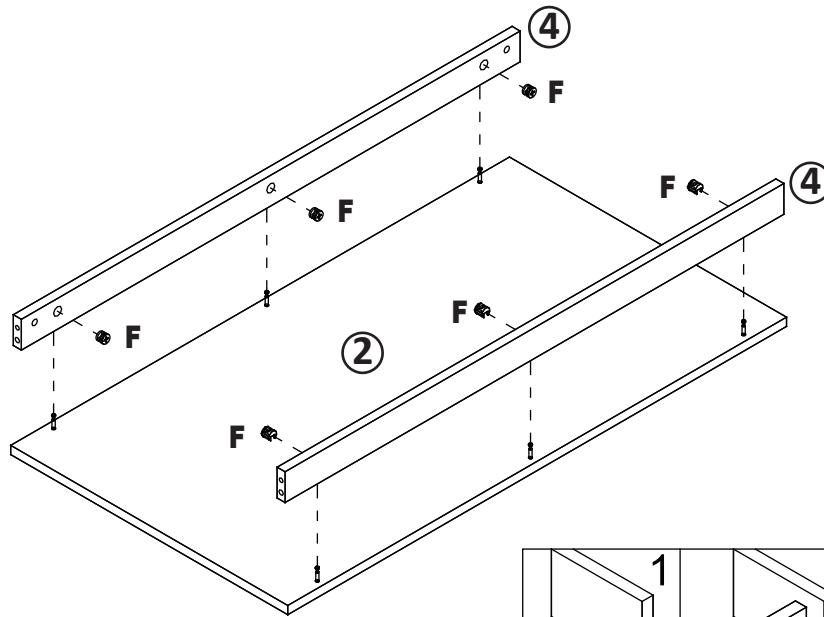
1. Screw Cambolts (D) into Top Panel ① and Bottom Panel ② as shown.
2. Gently tap Wood Dowels (A) into Top Panel ① and side Frames ③.



Step 2

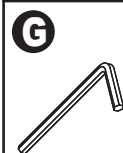
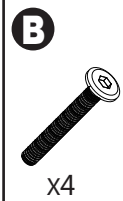
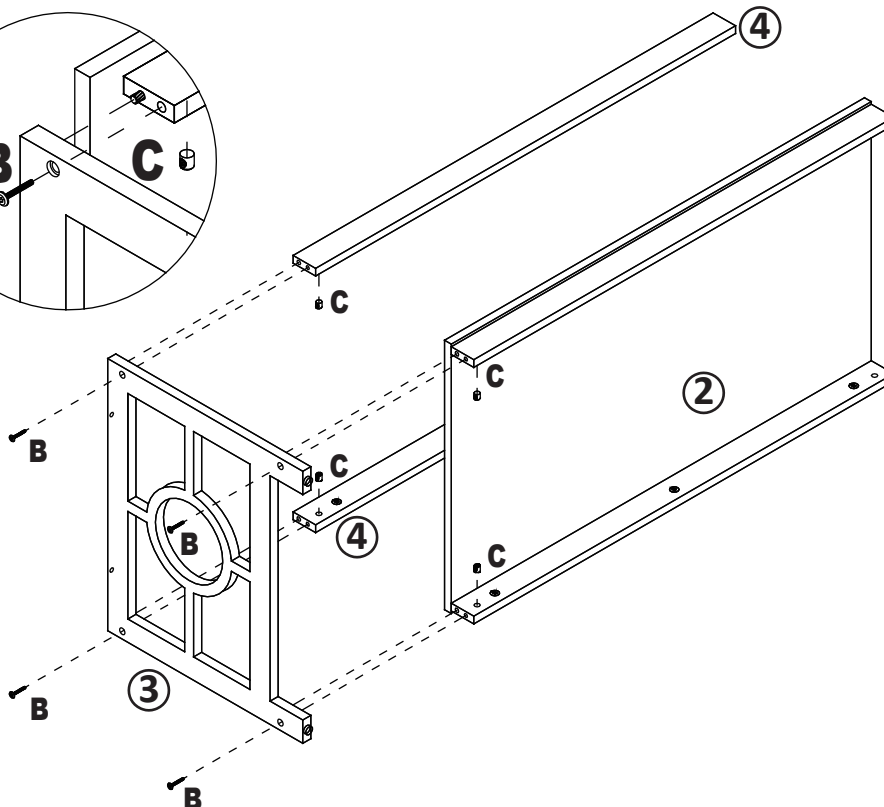
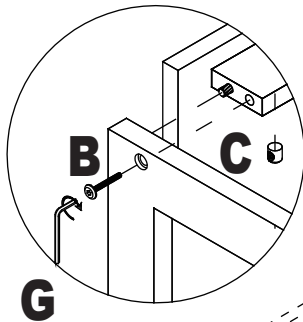
*Assemble unit on carpet or flat surface.

1. Insert Cam Locks (F) into Support Bars (4).
2. Connect Support Bars (4) to Bottom Panel (2) by gently tightening Cam Locks (F).



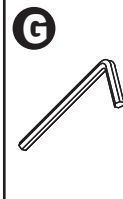
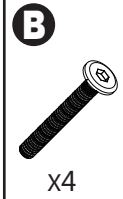
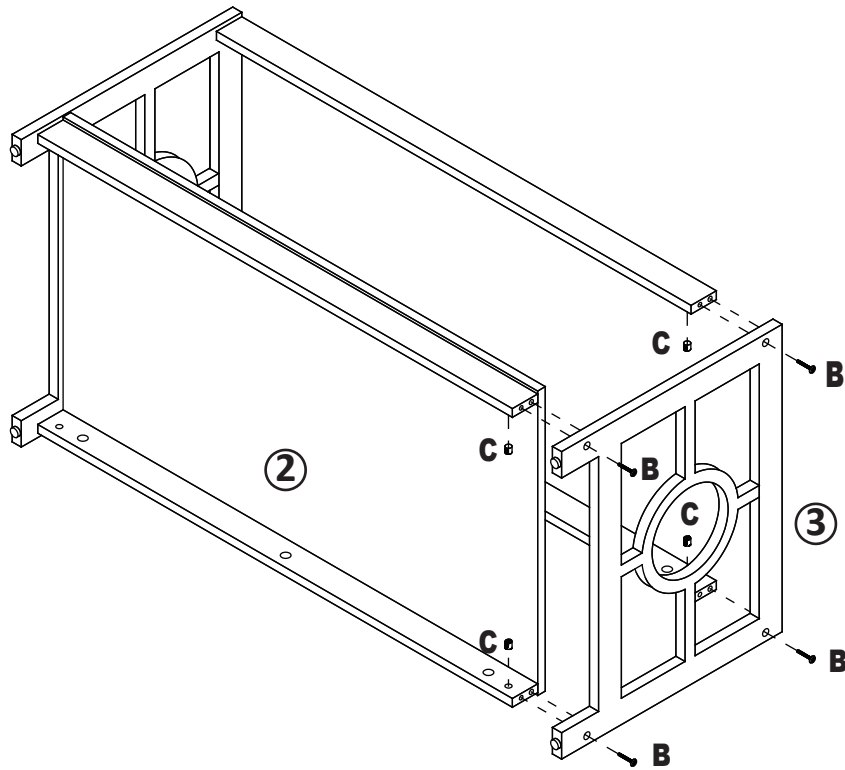
Step 3

1. Carefully connect Side Frame (3) to Support Bar (4) and Bottom Panel (2) using Allen Bolts (B) and Lock Nuts (C).



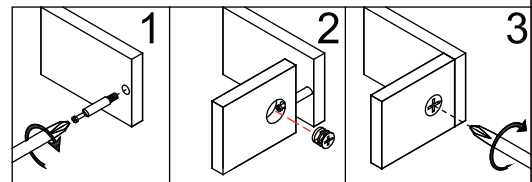
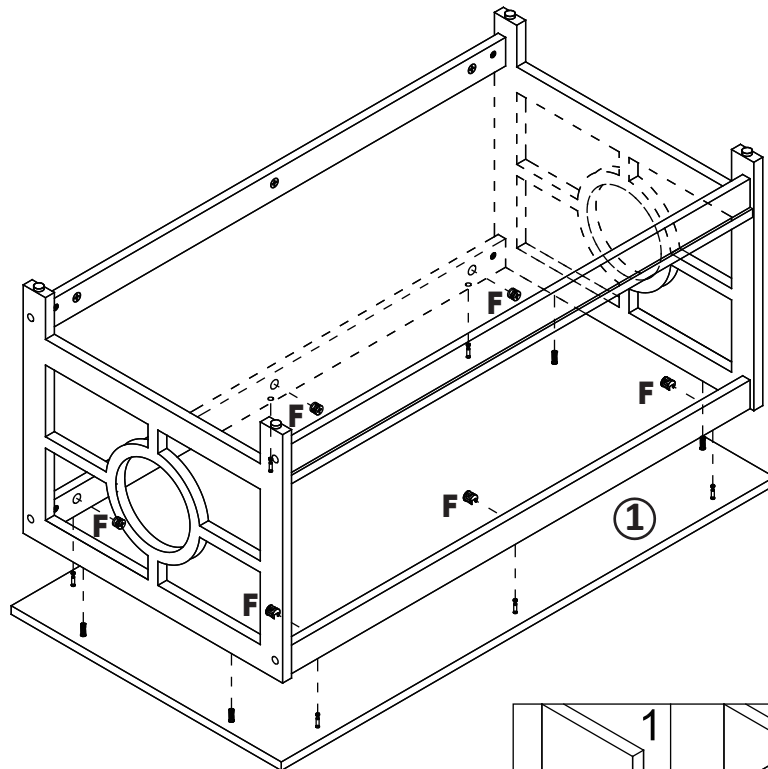
Step 4

1. Repeat Step 3 using second Side Frame (3).



Step 5

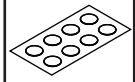
1. Connect assembly to Top Panel (1) using Cam locks (F).



Step 6

- 1.If desired, place Stickers E over screw holes.
- 2.Enjoy.

E



x8

