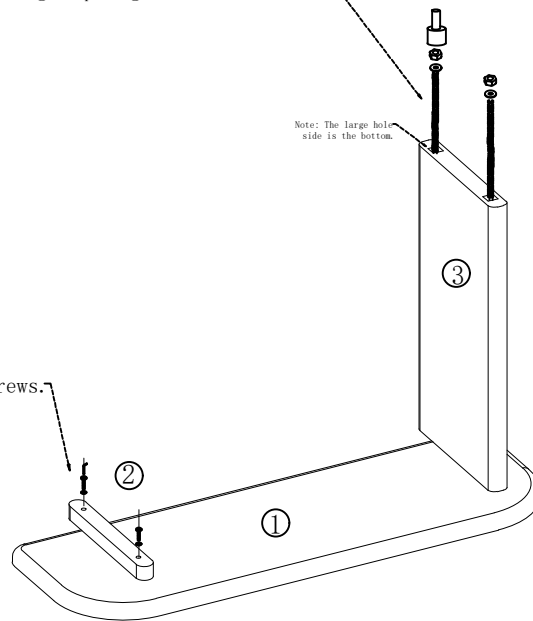


1: Connect part ③ to part ① with M8*730 screw rod.

Note: The large hole side is the bottom.

1: Connect part ② to part ① with M8*45 screws.



Number	Shape	Name	Quantity
A		M8*45 hex socket screw	2
B		Hexagon socket wrench	1
C		Small washer with outer diameter Ø8	4
D		M8*730 threaded rod	2
E		Hex nut	2
F		Hex socket	1