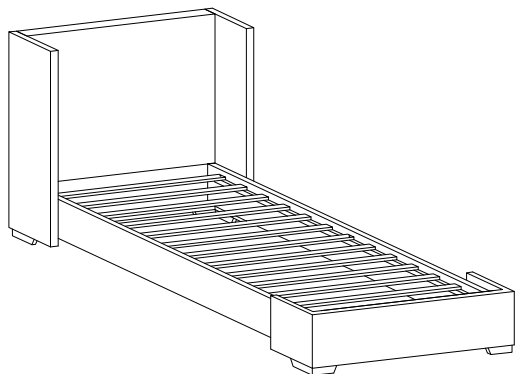


ASSEMBLY INSTRUCTIONS

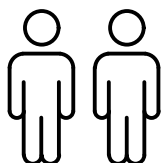
TWIN



+ Do Not Use Power Tools



+ Suggested Adults



NOTE: For questions about parts or assembly please email support@meridianfurnitureusa.com or call us at 718-758-4455.

- 1 Read instructions cover to cover.
- 2 Save all packaging until assembly is completed.

1 IMPORTANT SAFETY INFORMATION

Do not assemble the product if any of the following parts arrived damaged:

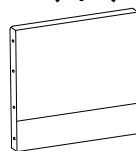
1. Headboard Panel
2. Footboard Panel
3. Wing Left
4. Wing Right
5. Side Rail
6. Leg
7. Slats(13pcs)

2 IMPORTANT ASSEMBLY INFORMATION

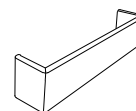
Assembly Step Ensure the side rail bracket is fully hooked onto bolt loosely threaded with both washers on the OUTSIDE of the bracket first, then proceed to fully tightening all 4 corners.

+ Parts Included

① Headboard Panel
(1 pc)



② Footboard Panel
(1 pc)



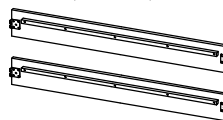
③ Wing Left
(1 pc)



④ Wing Right
(1 pc)



⑤ Side Rail
(2 pcs)



⑥ Leg
(4 pcs)



⑦ Slats(13pcs)
(1 pc)



+ Hardware Included

A Allen Key M4
(1 pc)



B Allen Key M5
(1 pc)



C JCBB Bolt
M8 x 16mm
(8 pcs)



D JCBC Bolt
M6 x 35mm
(16 pcs)



E Spring Washer
M6
(8 pcs)



F Flat Washer
M6
(8 pcs)



G CBS Screw
M4 x 32mm
(6 pcs)



ASSEMBLY INSTRUCTIONS

TWIN

