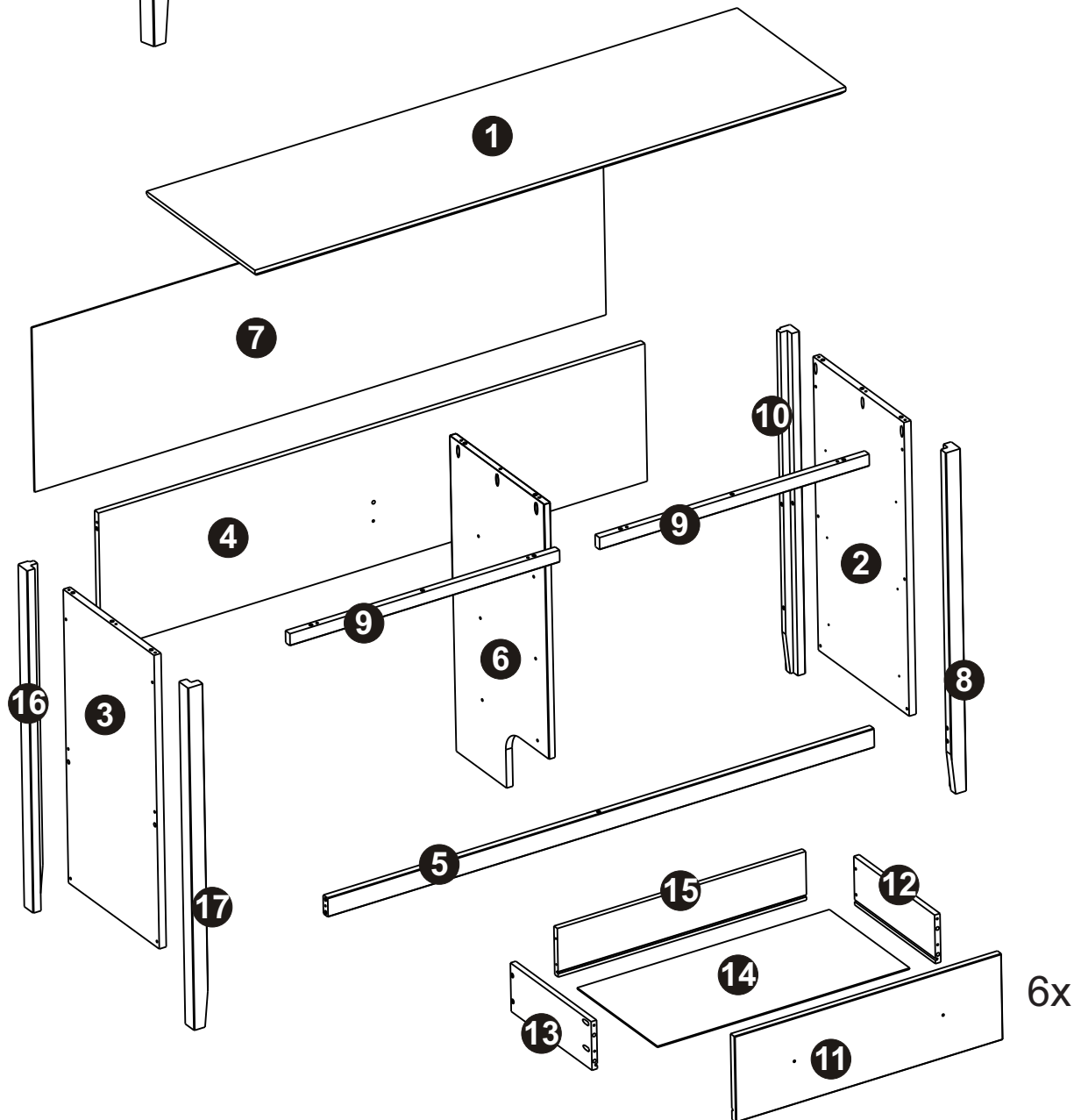
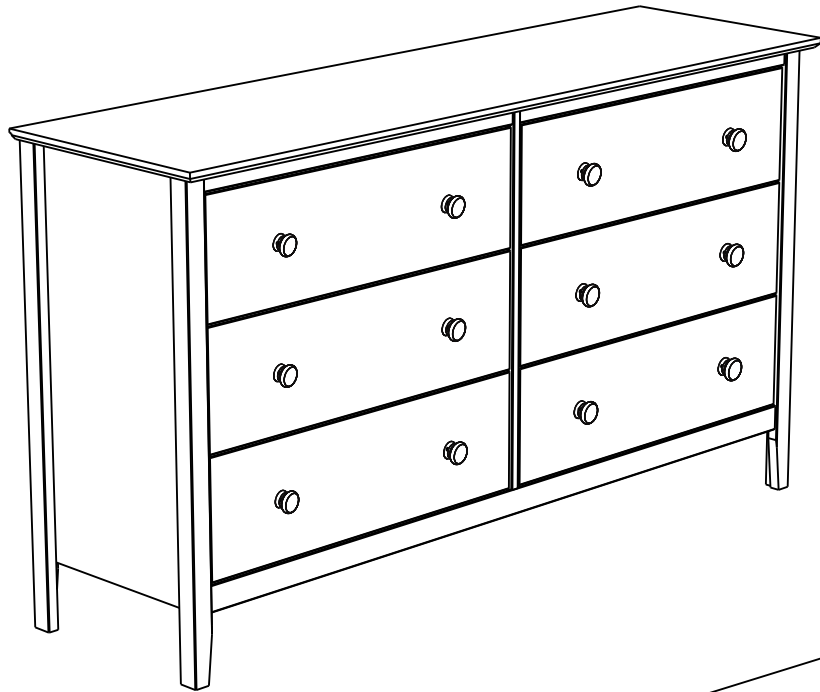
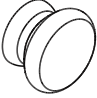




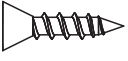

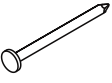
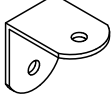

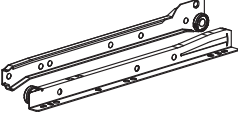
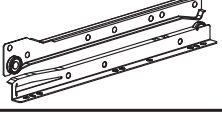


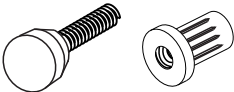
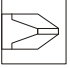


# ASSEMBLY INSTRUCTIONS 6 DRAWER DRESSER




A		12
B	 Ø8x30mm	48
C	 Ø4x35mm	12
D	 Ø4x30mm	72
E	 Ø4,0x30mm	12
F	 Ø4x16mm	26
G	 Ø8x20mm	04
H	 Ø1 x 19mm	40
I		01
J		01
K	 330D	06
L	 330E	06
M	 Ø6x10mm	24
N	 Ø3,0x25mm	02
O		01

**Tools Required**

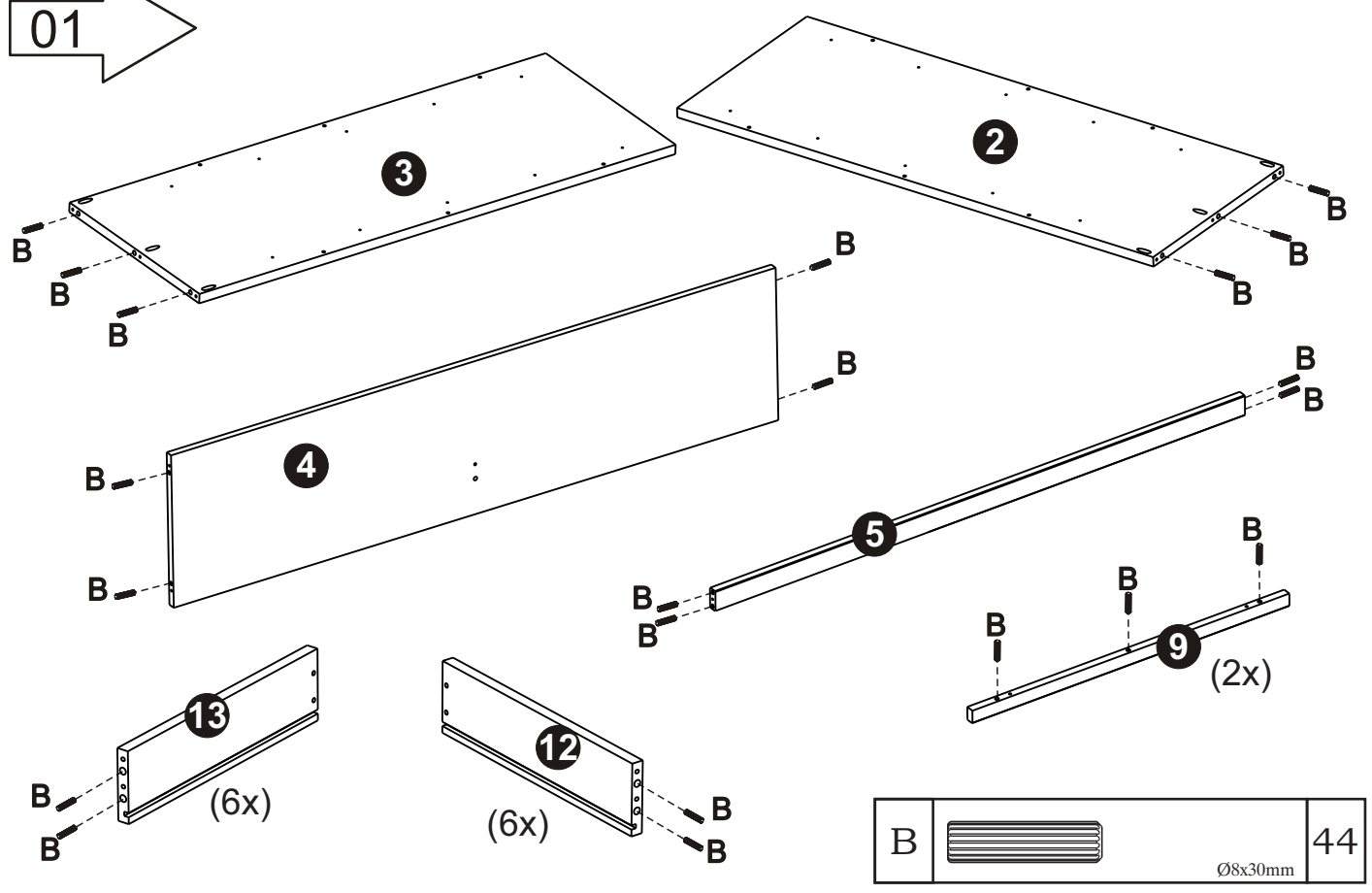
Phillips Tool 

---

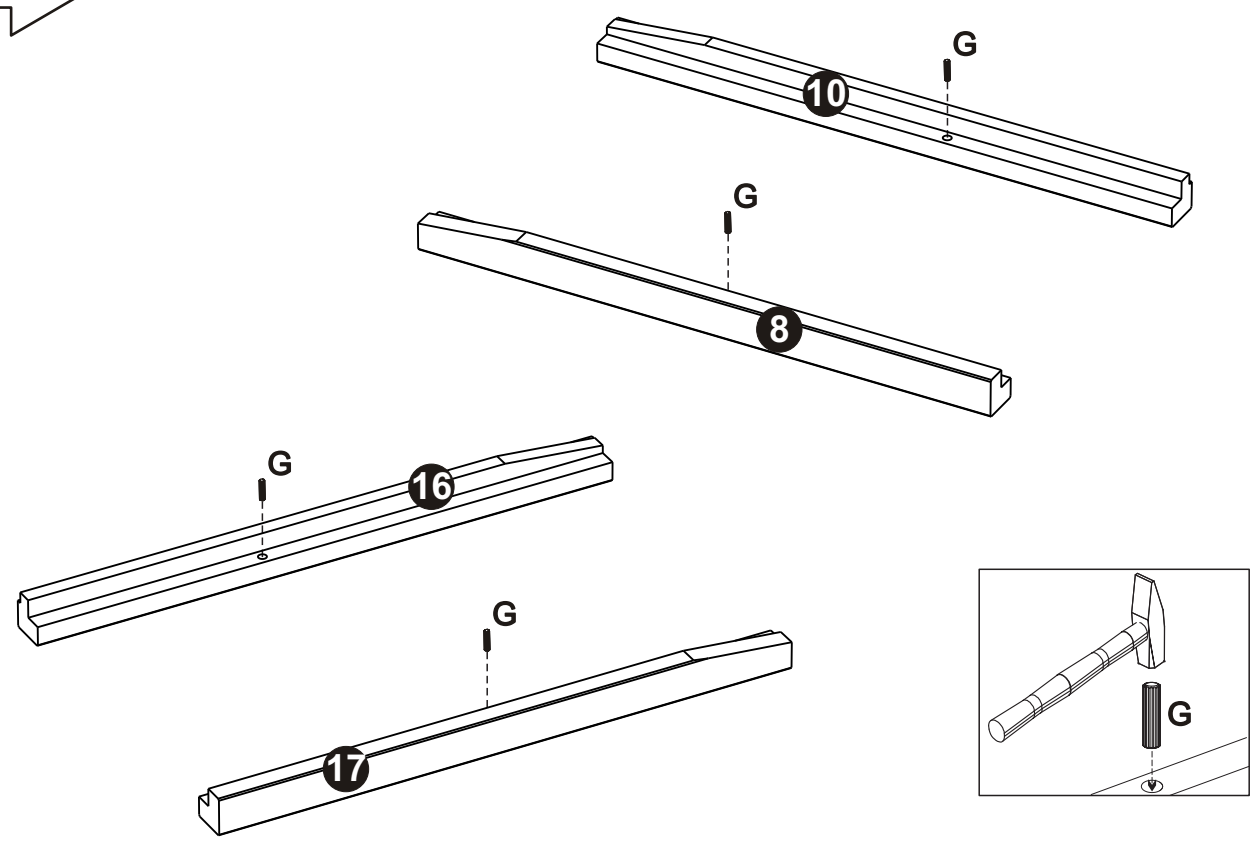
Hammer  
\* These tools are not supplied by the manufacturer



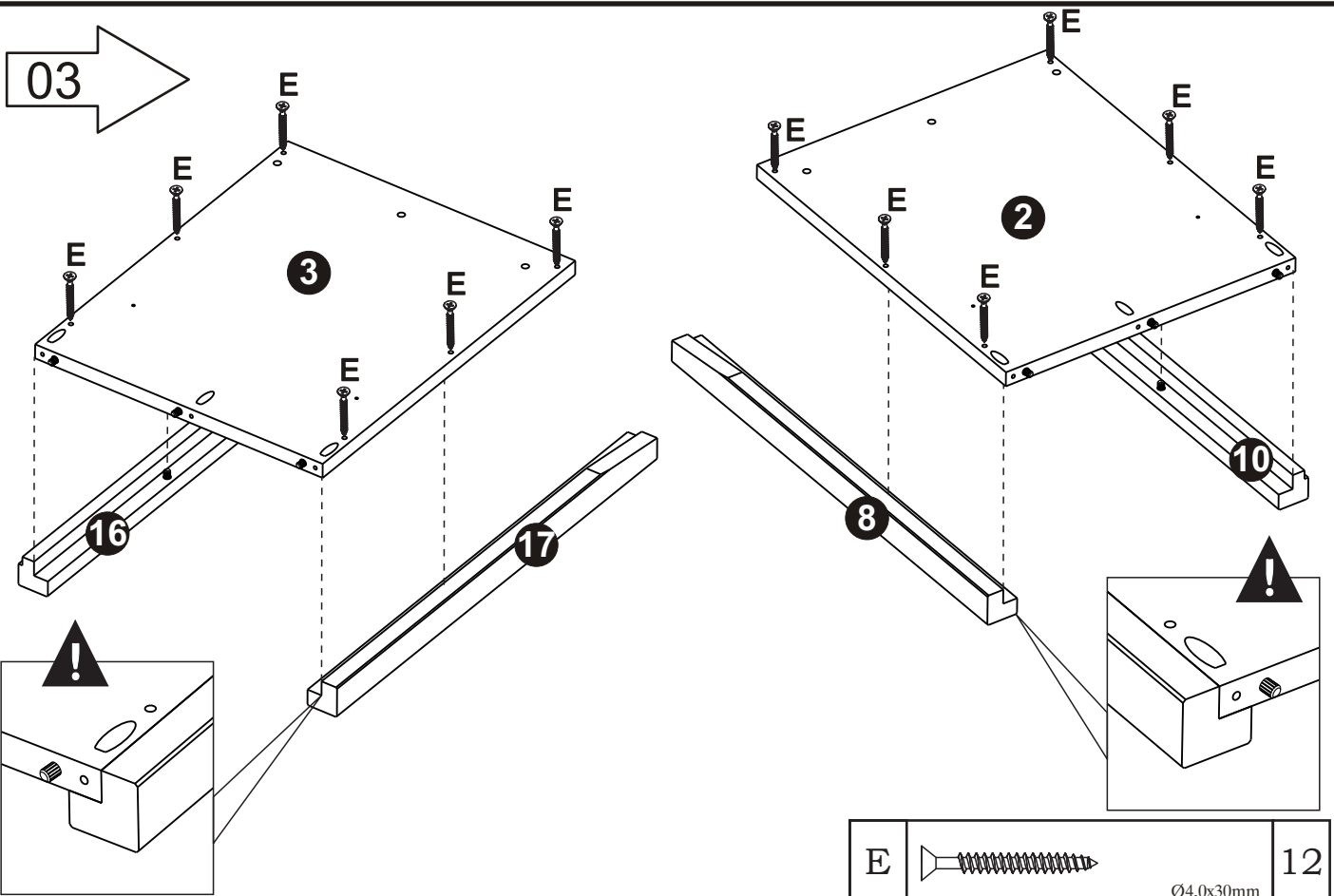
01

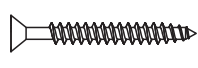


02

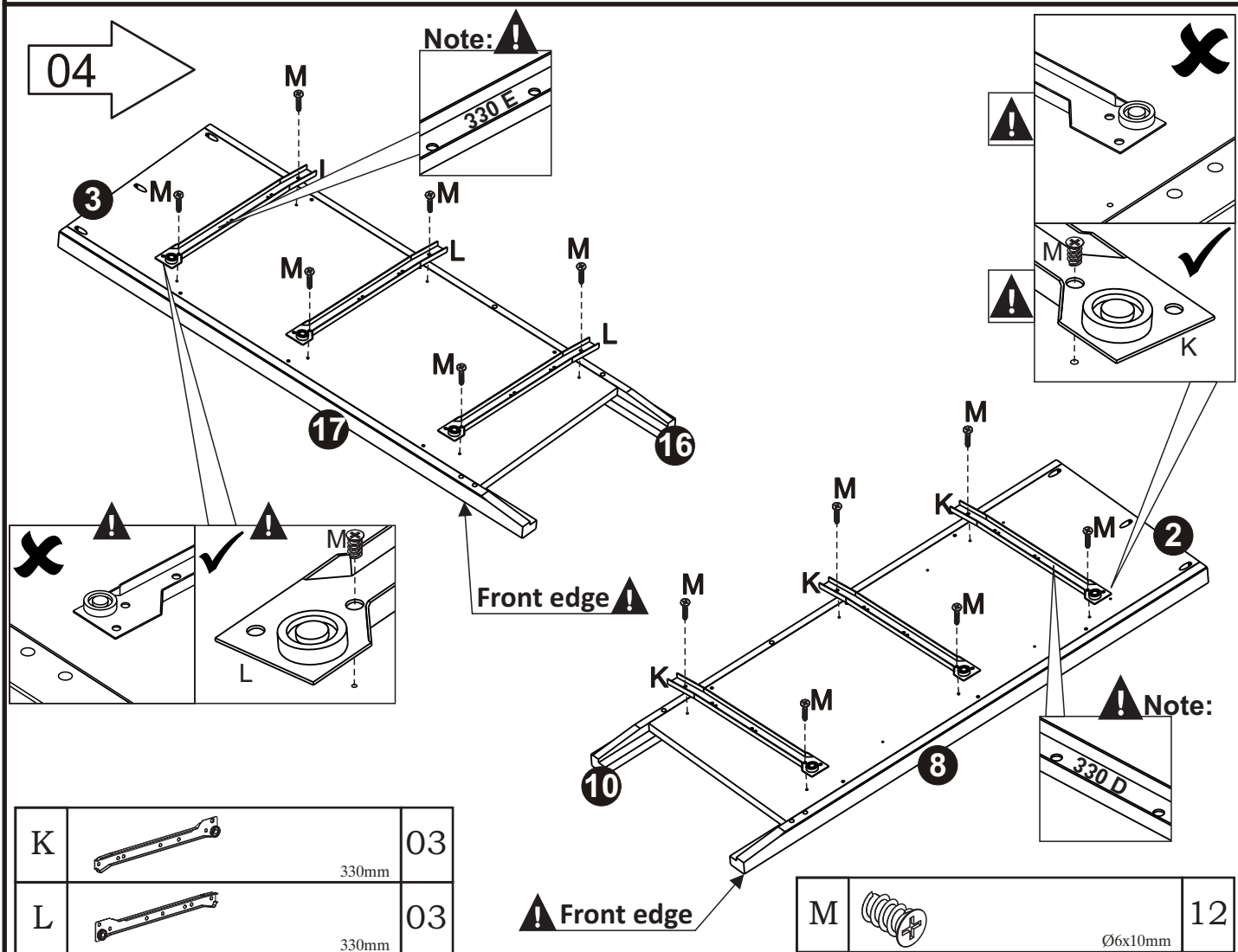


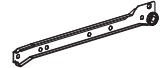
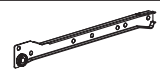
03




E		12
Ø4,0x30mm		

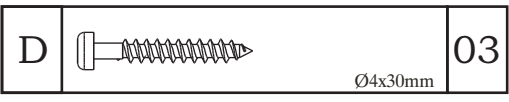
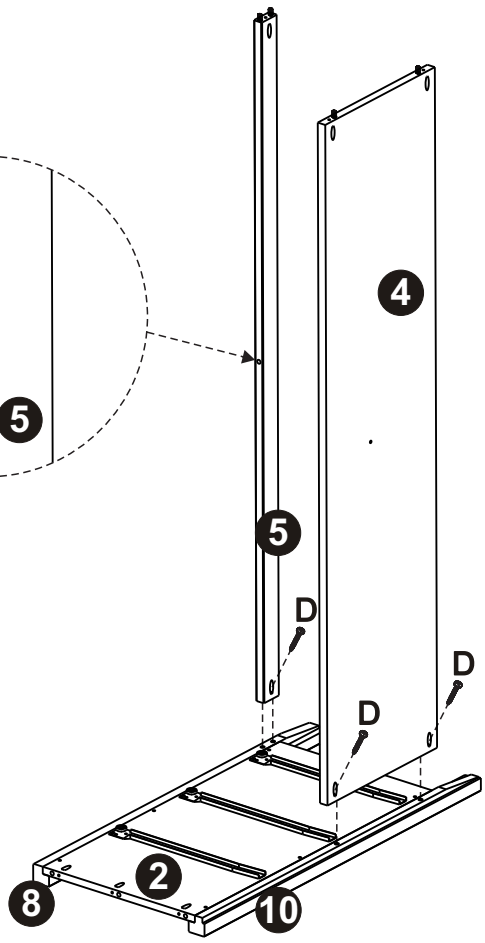
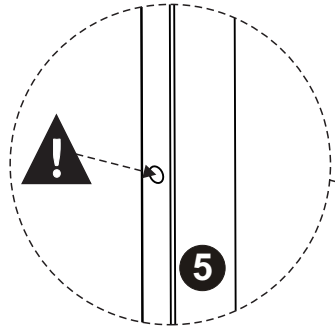
04



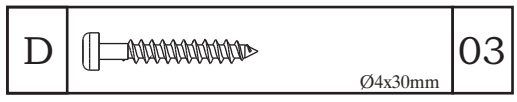
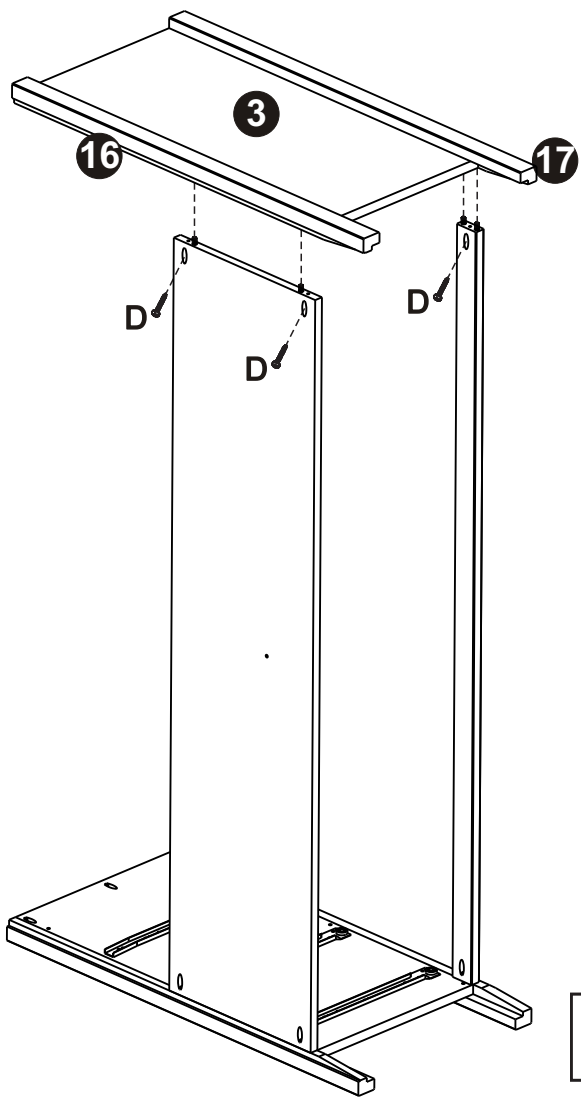
K		03
330mm		
L		03
330mm		

M		12
Ø6x10mm		

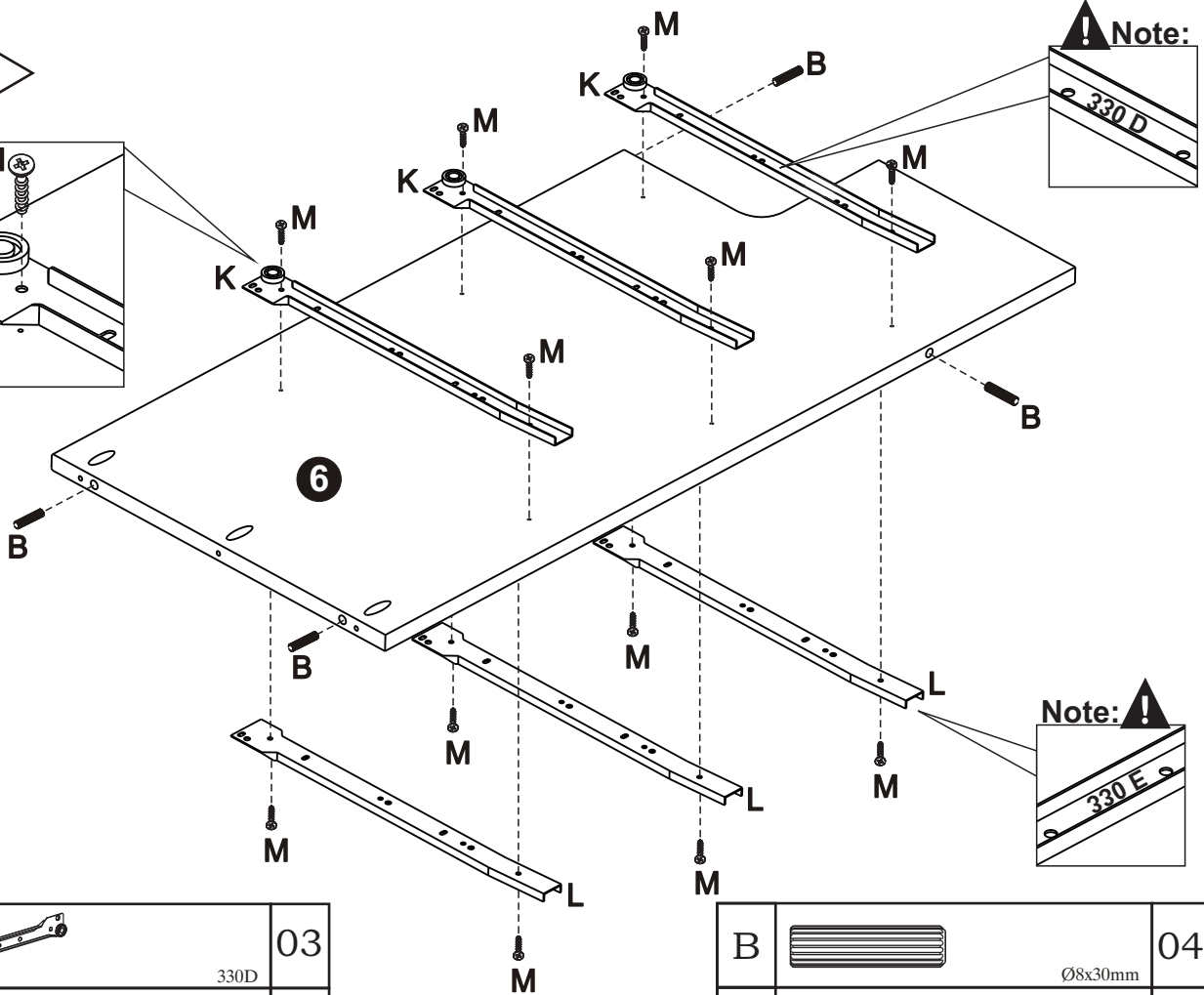
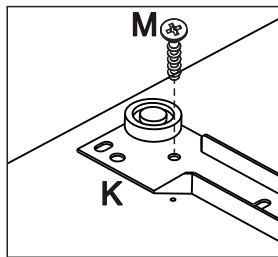
05



06

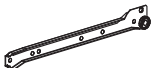
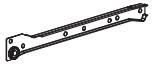


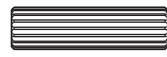

07



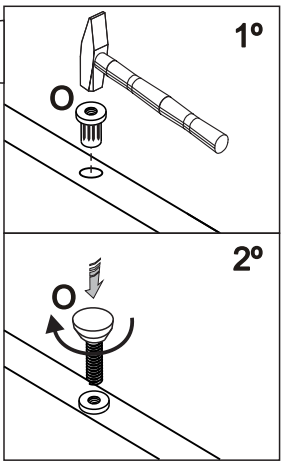
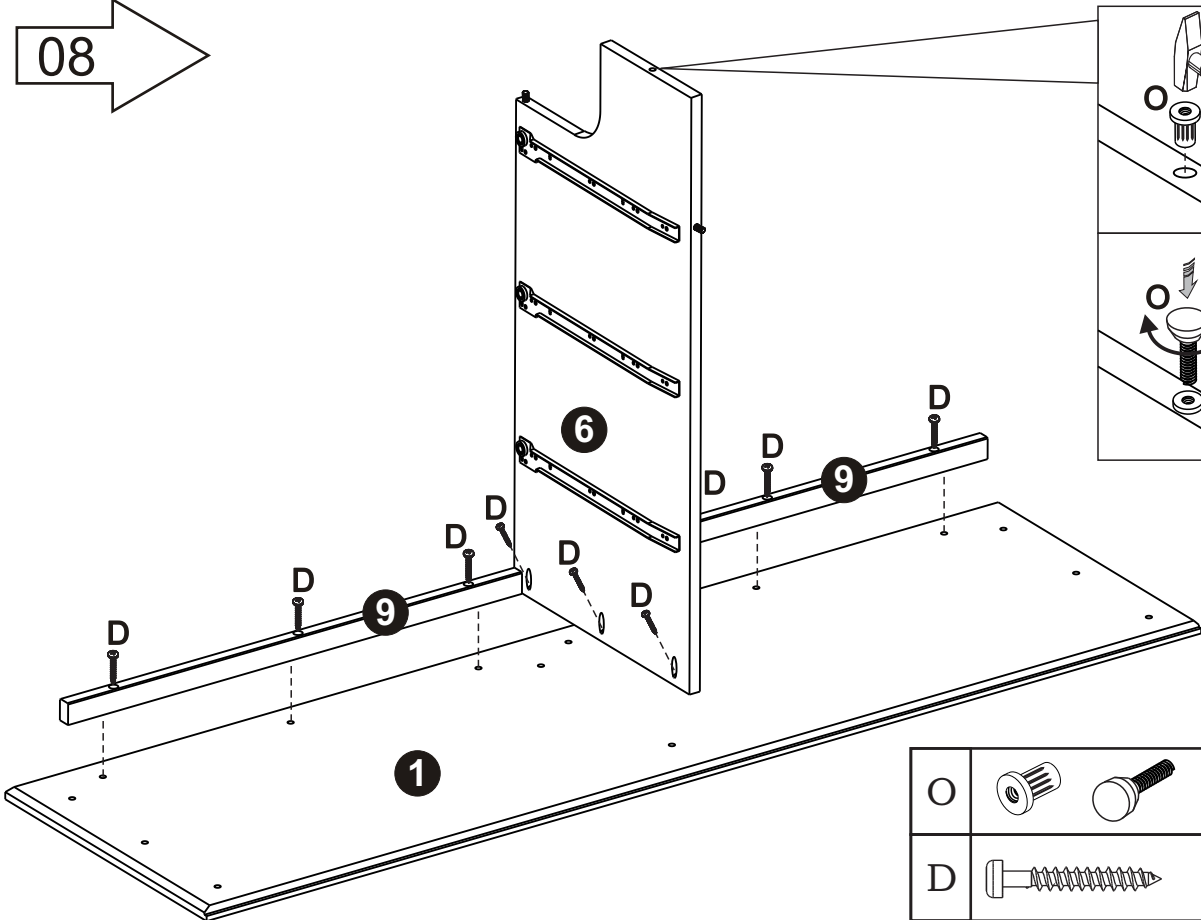
**Note:**  
330 D



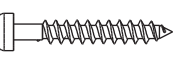
**Note:**  
330 E

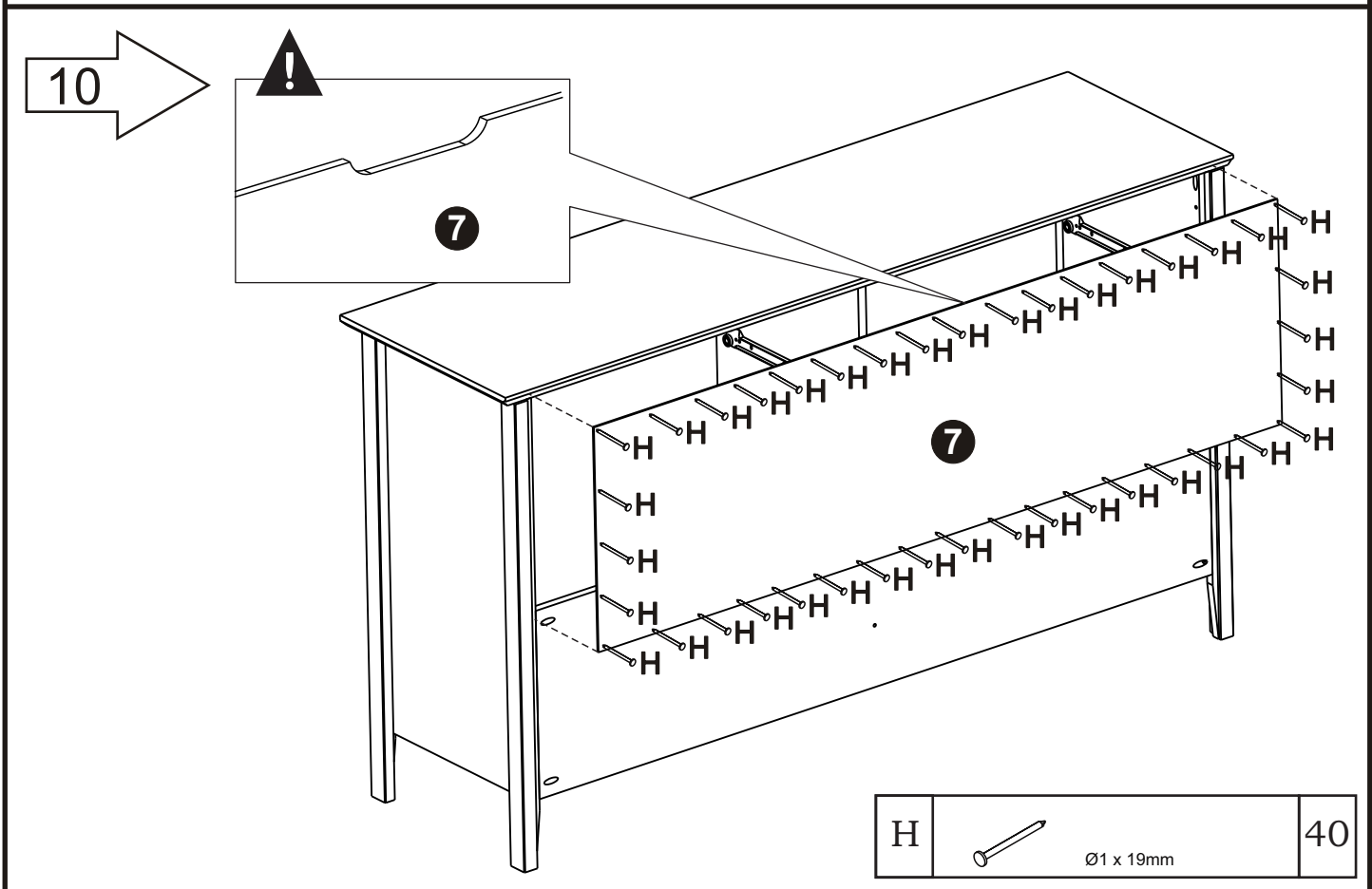
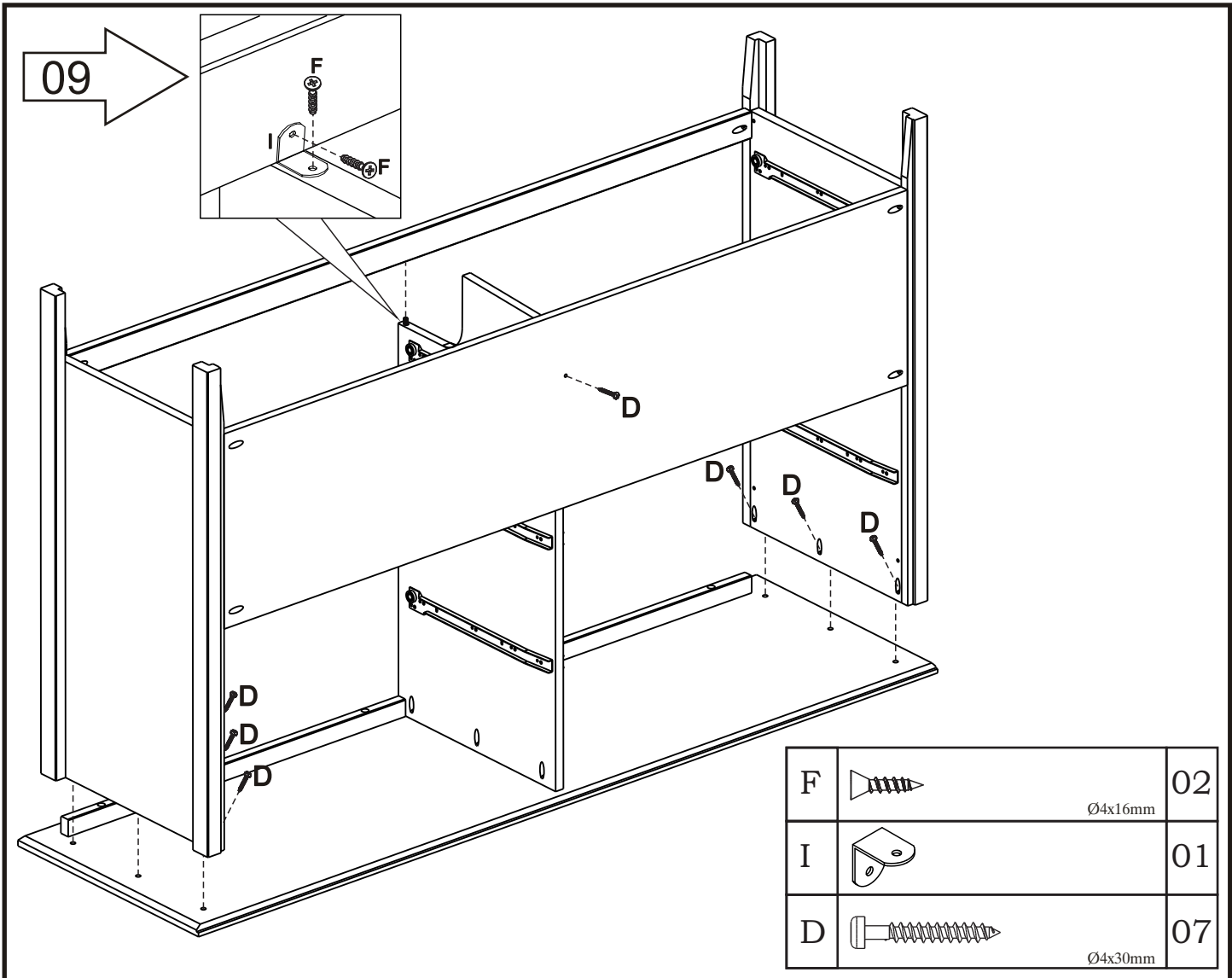
K		03
	330D	
L		03
	330E	

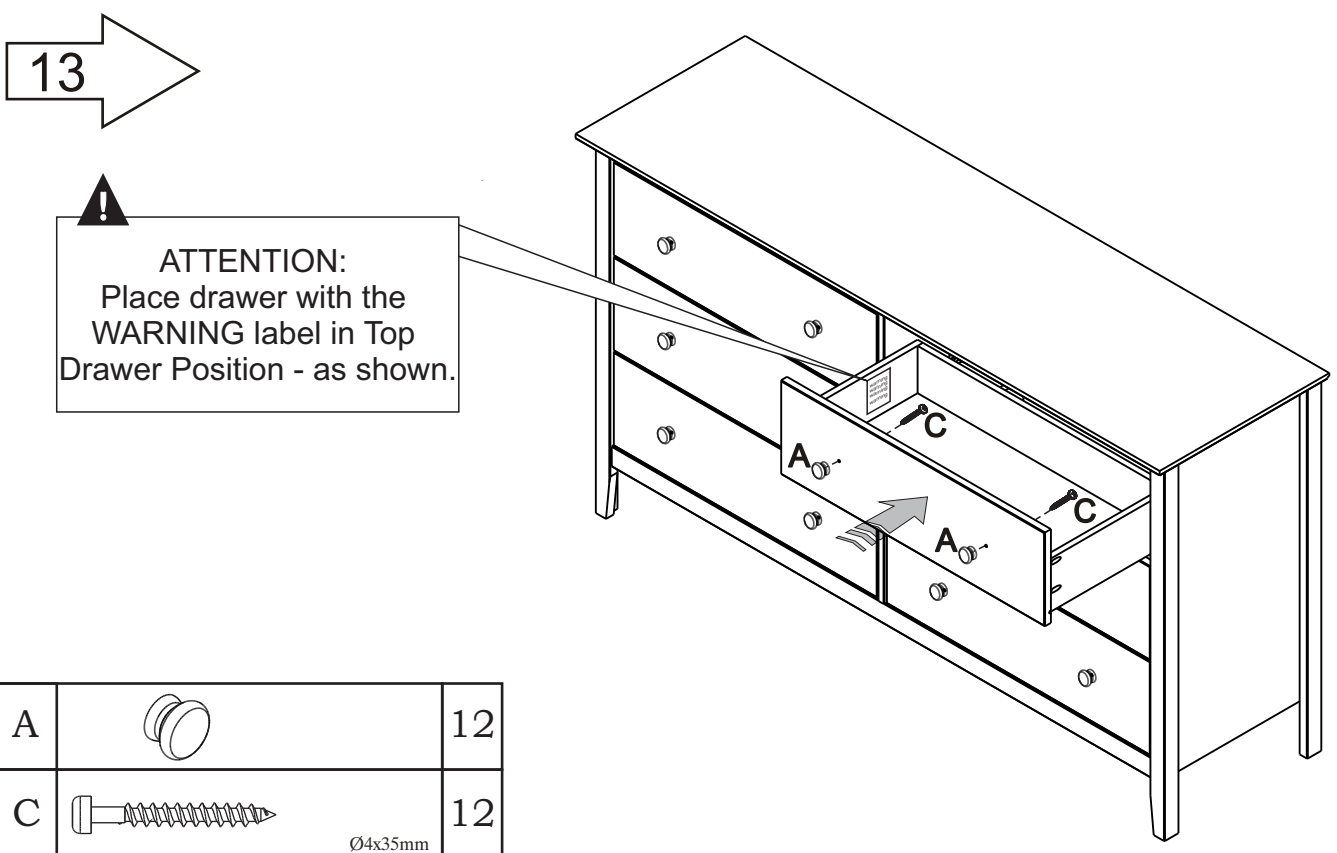
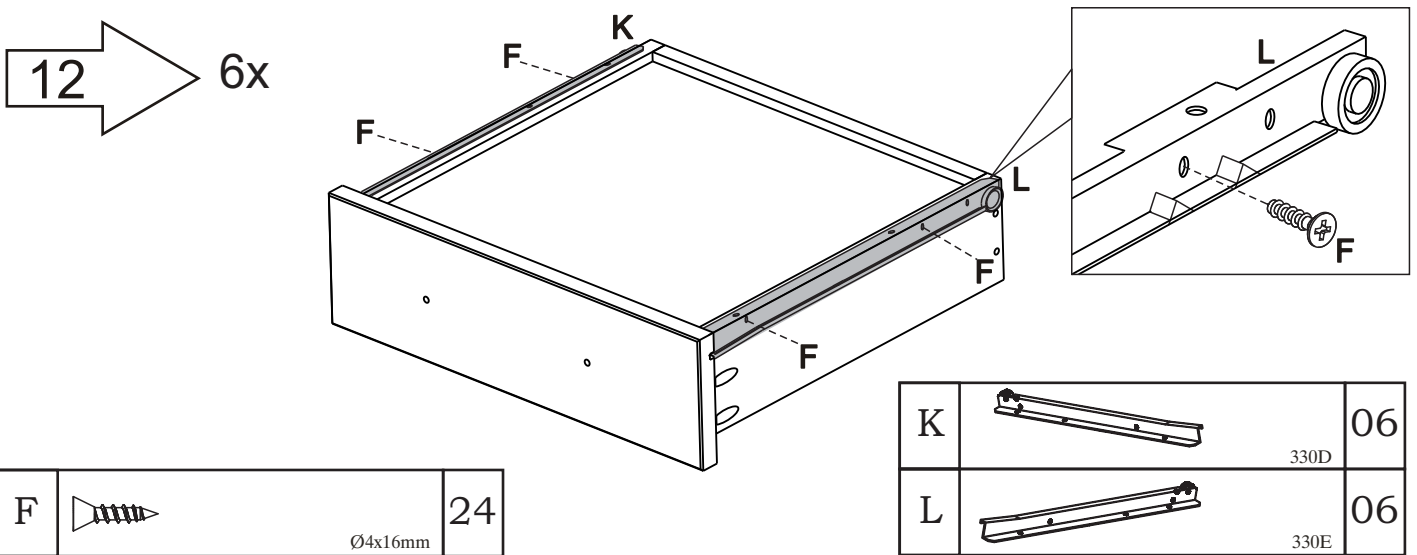
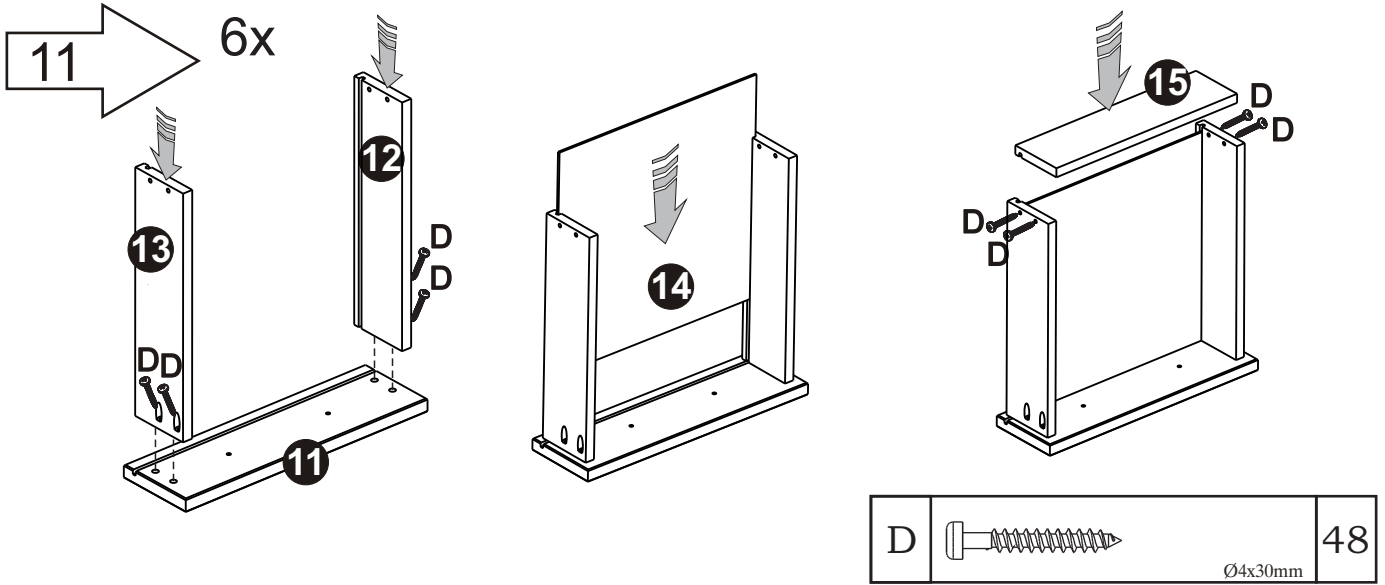
B		04
	Ø8x30mm	
M		12
	Ø6x10mm	

08

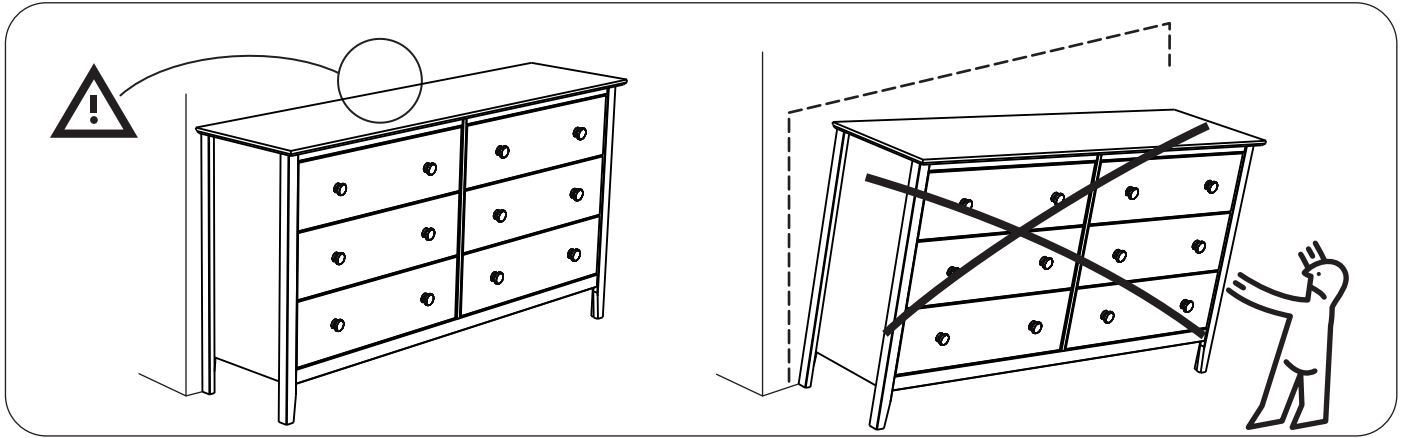


O	 	01
D		09
	Ø4x30mm	

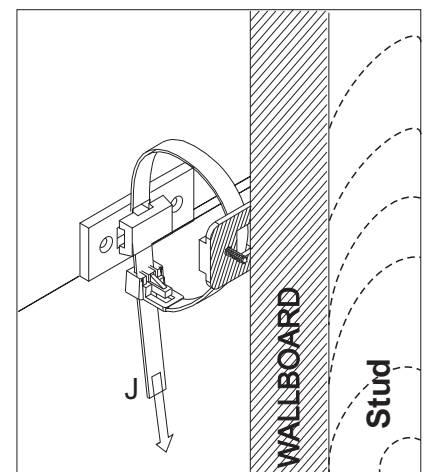
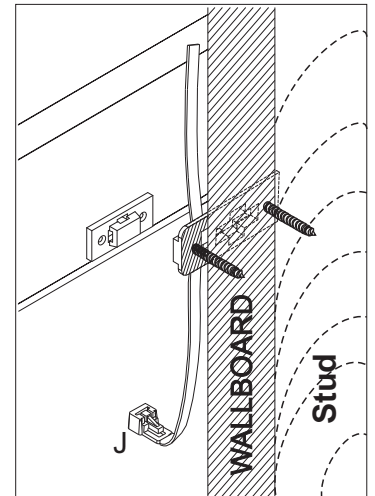
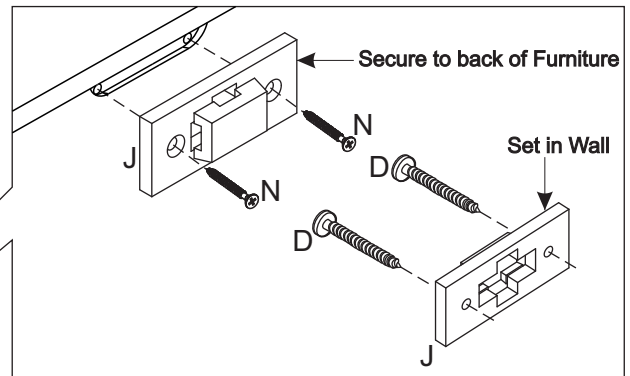
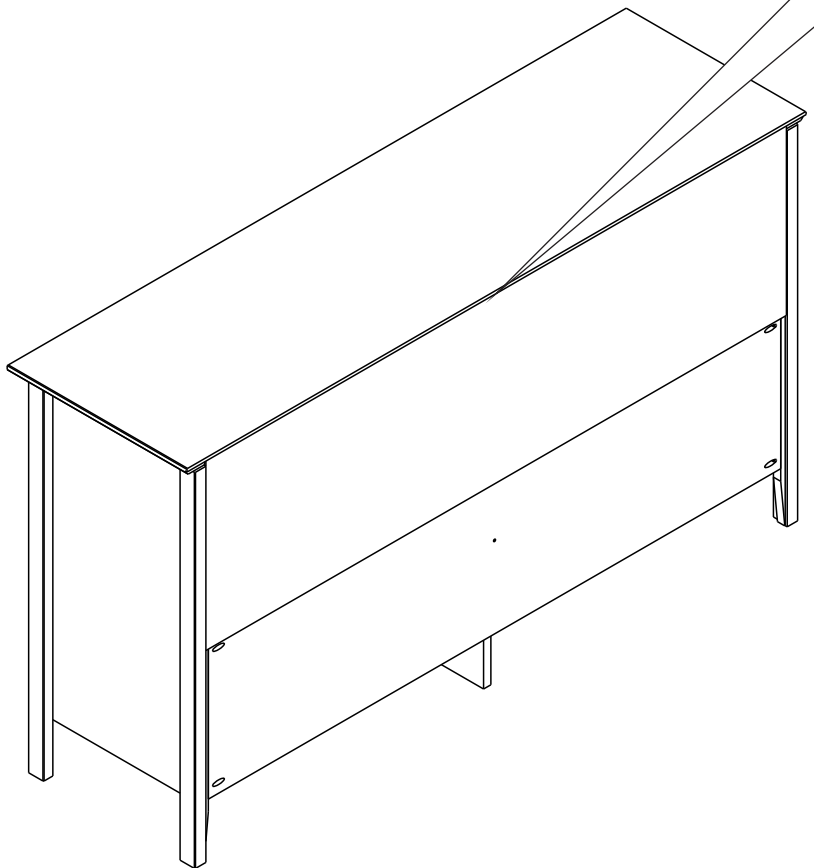




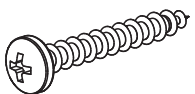




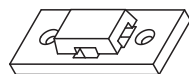
## Secure to Stud behind Wallboard.



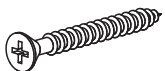
Secure to Stud behind Wallboard!



**D - 4,0x30 Screw**  
Qty. 02



**J - Plastic wall bracket**  
Qty. 02



**N - 3,0x25 Screw**  
Qty. 02



**J - Nylon strap 140mm**  
Qty. 01