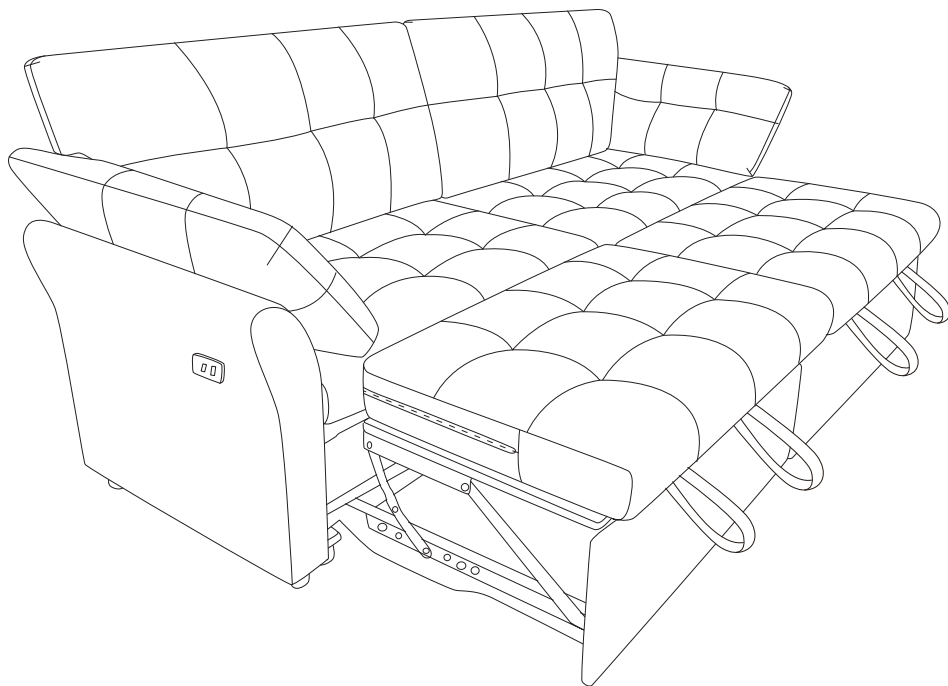
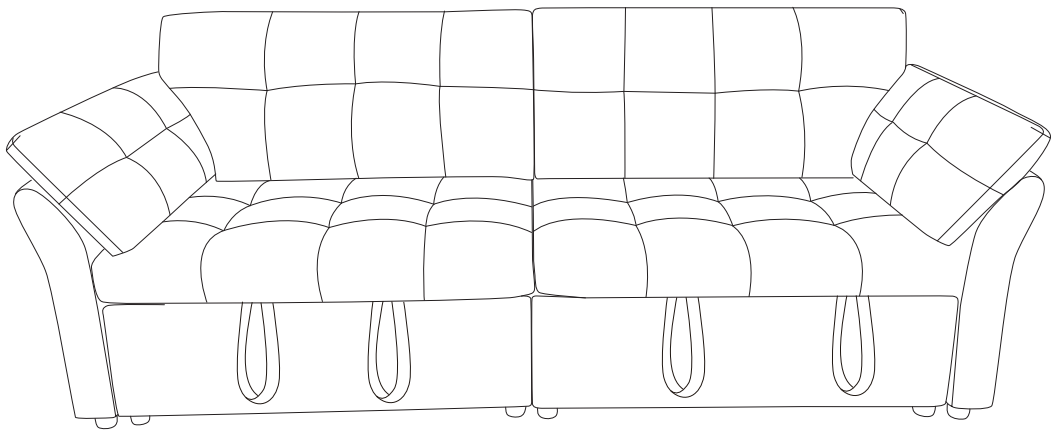


Installation & Assembly



ATTENTION

Thanks for choosing our product.

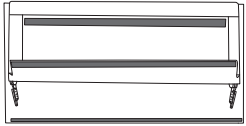
Note that this is a combination sofa, and the assembly steps may vary slightly depending on the product combination (Number of boxes) you purchased. If you have any assembly issues, please contact us.

Customer service

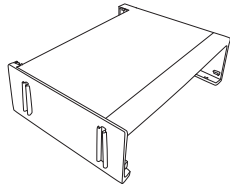
1. Please check the manual carefully and make sure you have received all the parts.
2. If there is any missing, please let us know the letter of the parts you need.
3. If there is any damage, please send clear
4. photos to us, we will check and offer you the best solution soon.

Components List

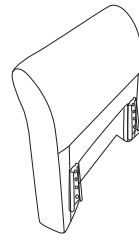
Carton: A



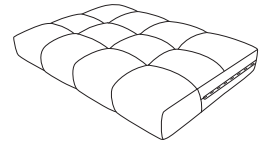
H X1



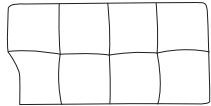
I-L X1



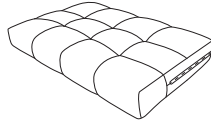
J-L X1



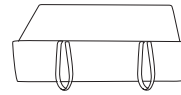
K X1



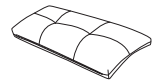
L-L X1



M X1




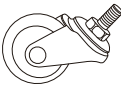




N X1

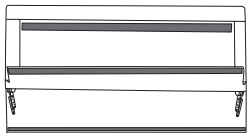


O X1

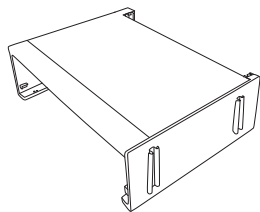
Hardware List

| | | | | | |
|--|--|--|---|--|--|
| <p>A M6X20mm</p>  <p>X2</p> | <p>B</p>  <p>X1</p> | <p>C</p>  <p>X6</p> | <p>D</p>  <p>X4</p> | <p>E</p>  <p>X1</p> | <p>F</p>  <p>X1</p> |
|--|--|--|---|--|--|

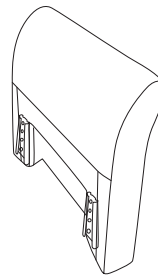
Carton: B



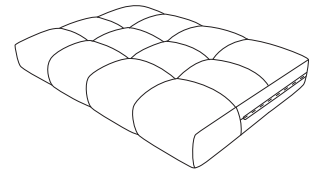
H X1



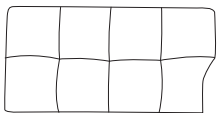
I-R X1



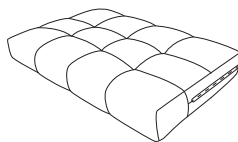
J-R X1



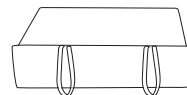
K X1



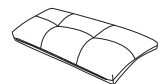
L-R X1



M X1




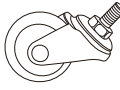



N X1

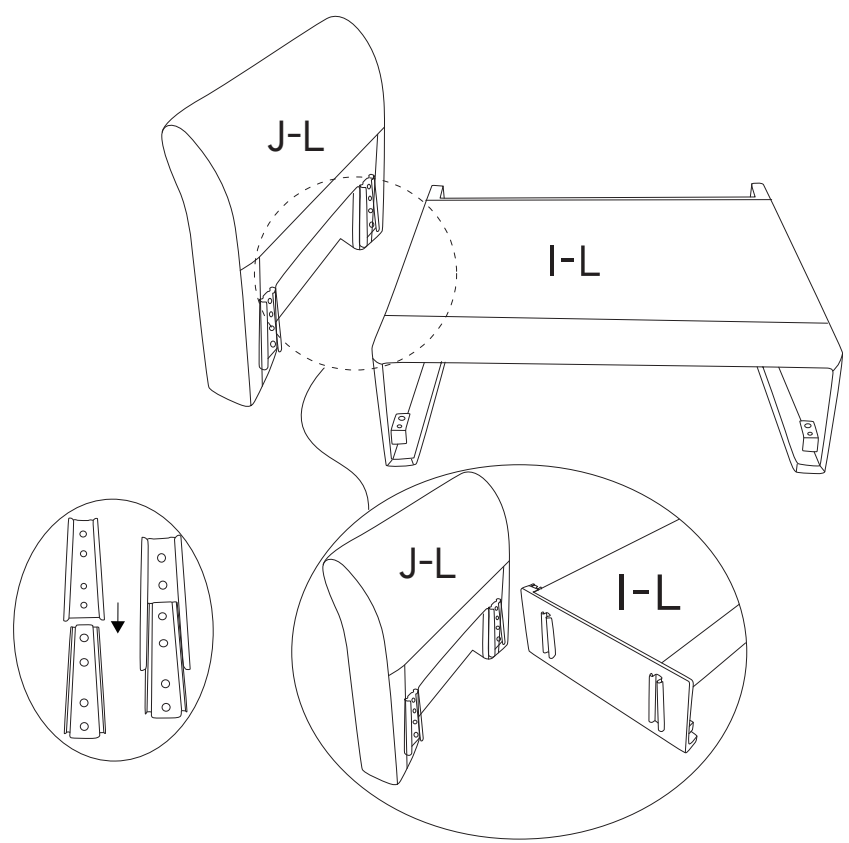


O X1





Hardware List

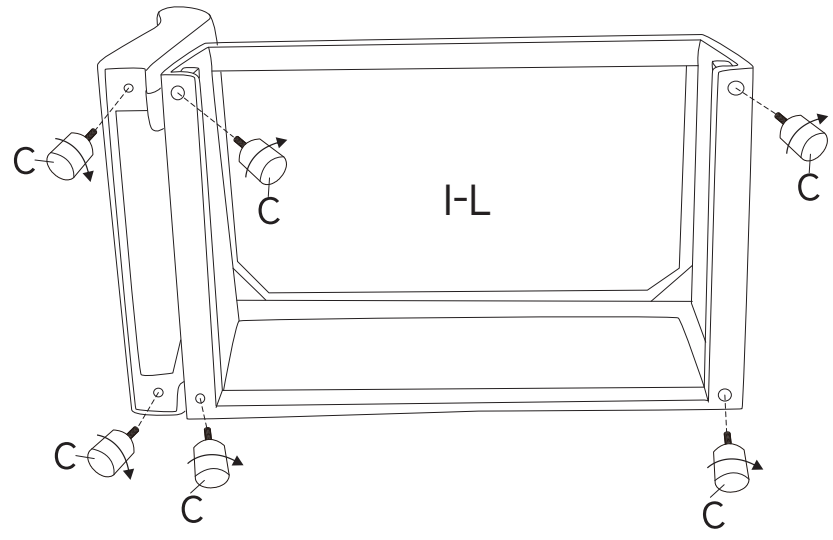
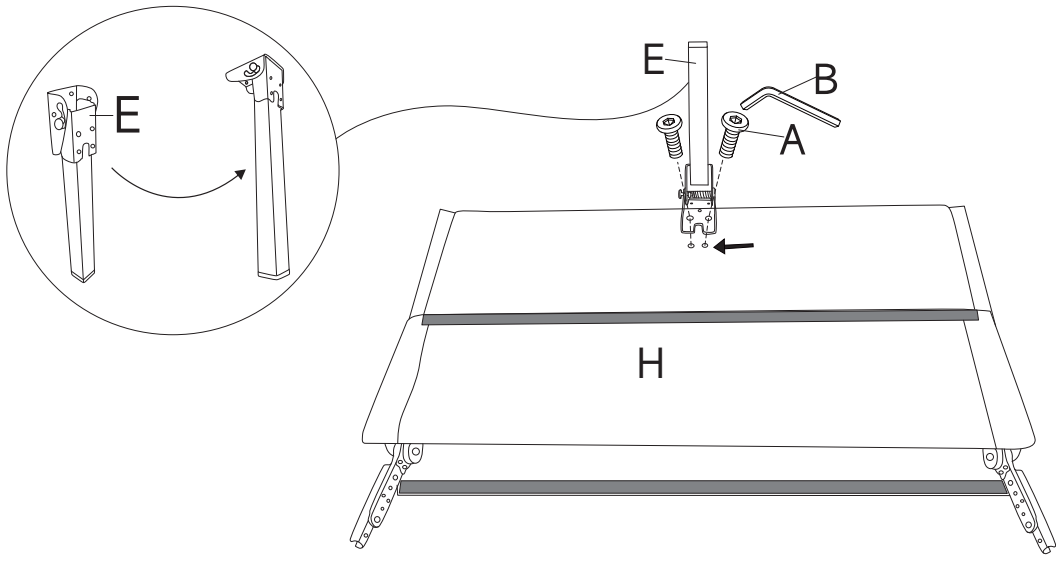
| | | | | |
|--|--|---|--|--|
| <p>A M6X20mm</p>  <p>X2</p> | <p>B</p>  <p>X1</p> | <p>C</p>  <p>X6</p> | <p>D</p>  <p>X4</p> | <p>E</p>  <p>X1</p> |
|--|--|---|--|--|

STEP 1

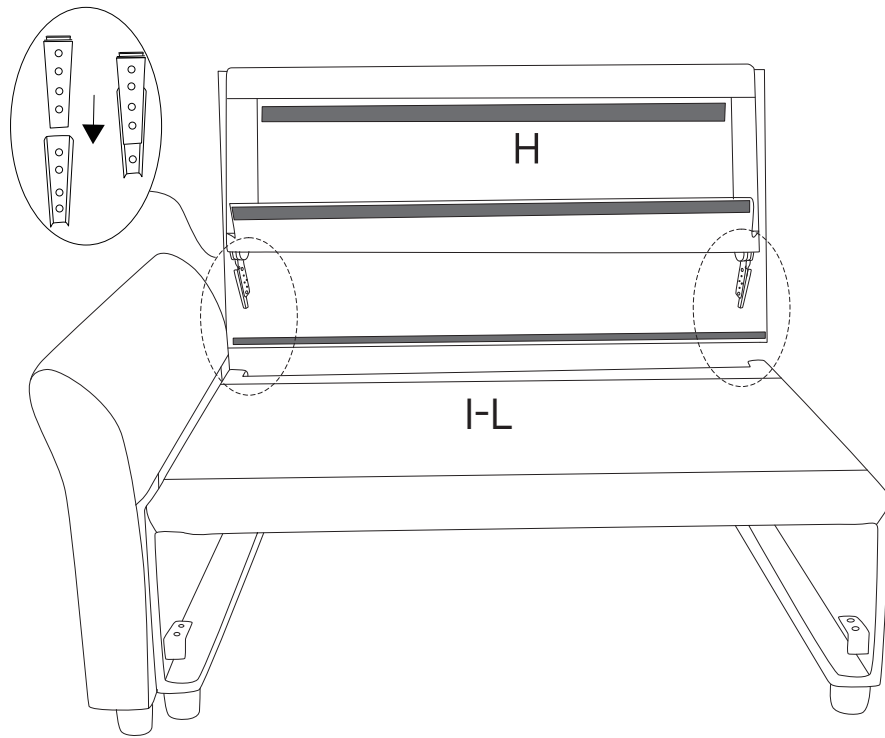


STEP 2

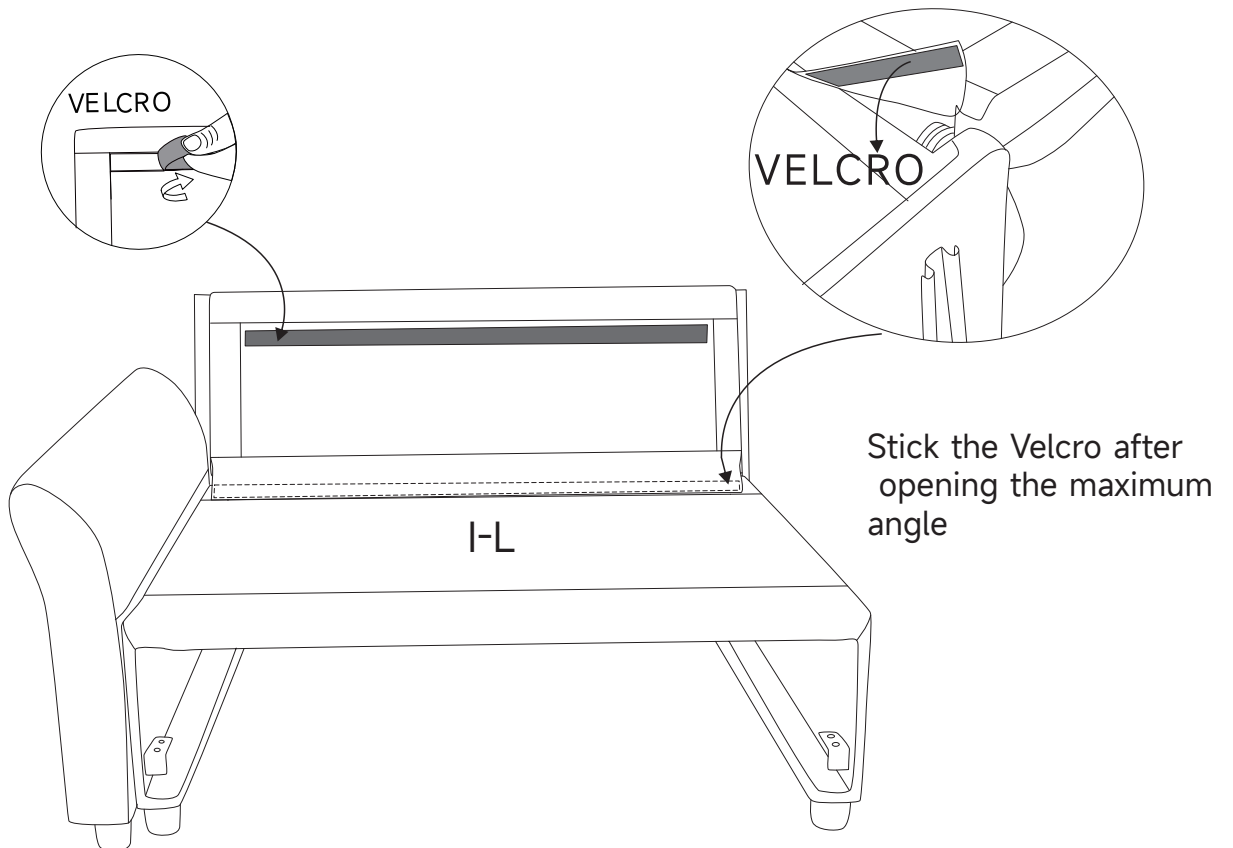
| | |
|--|-----|
|  | Ax2 |
|  | Bx1 |
|  | Cx6 |
|  | Ex1 |



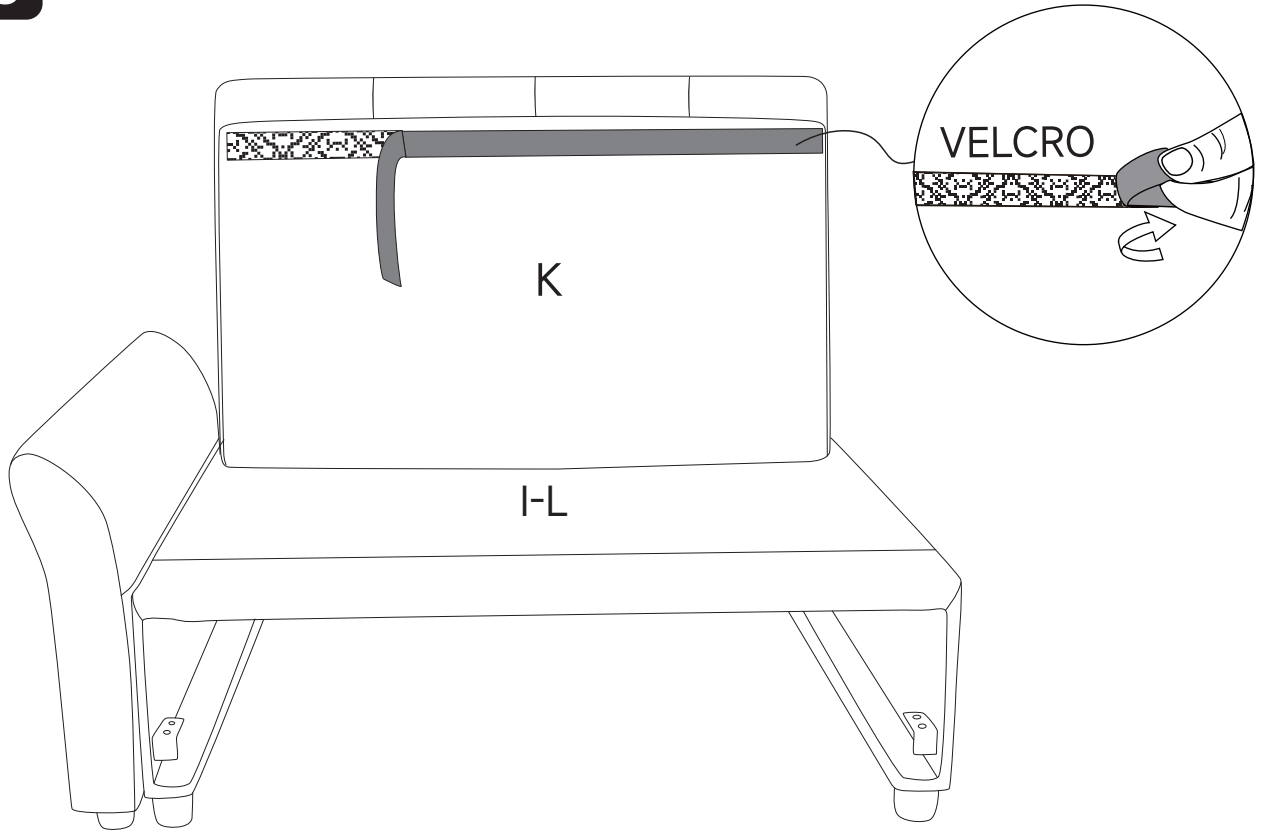
STEP 3



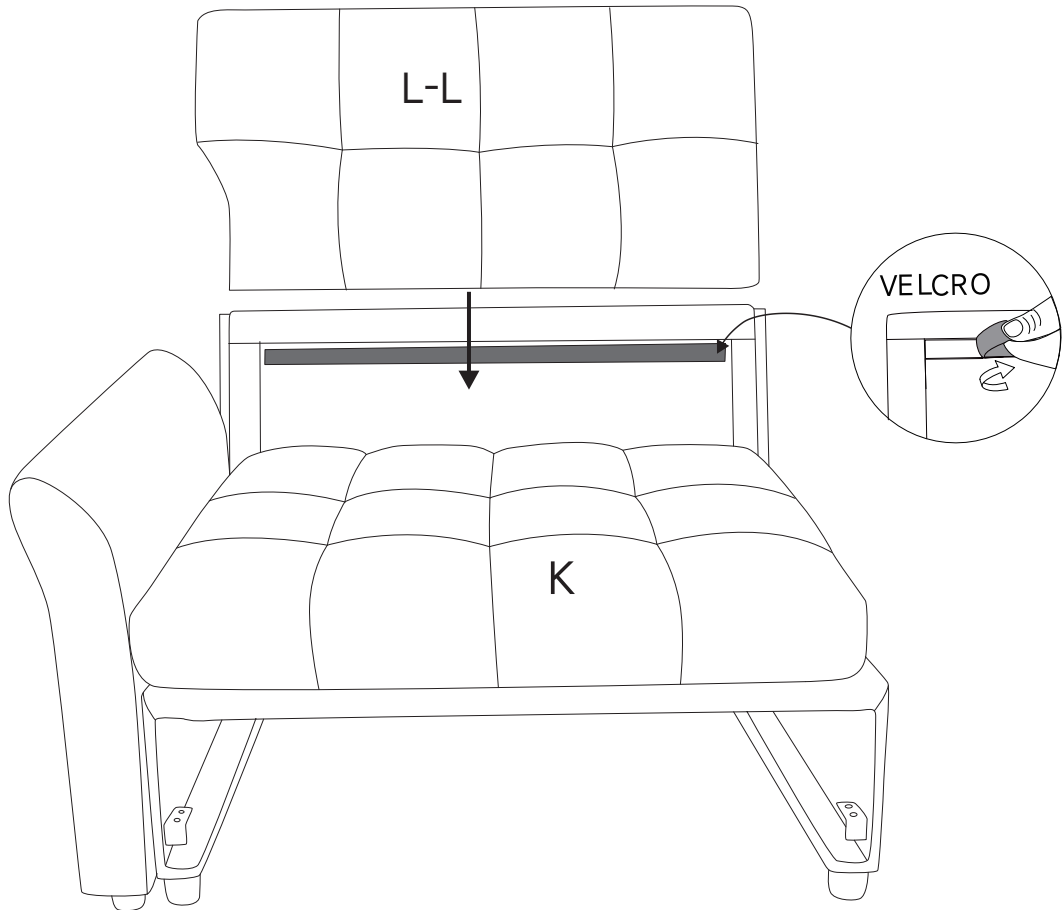
STEP 4



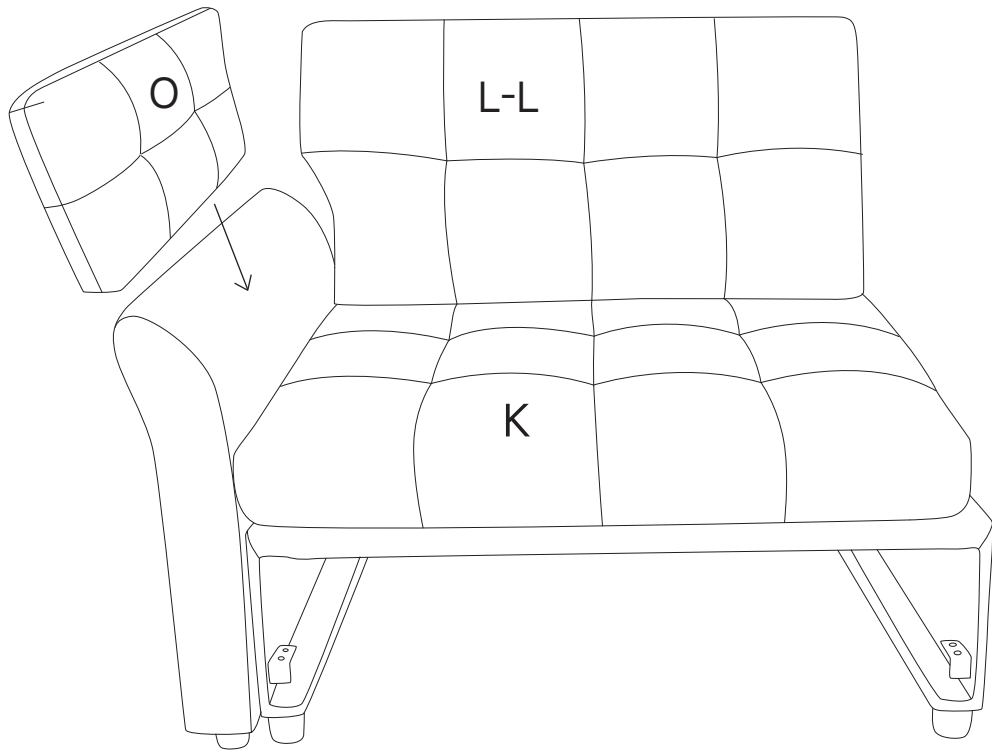
STEP 5



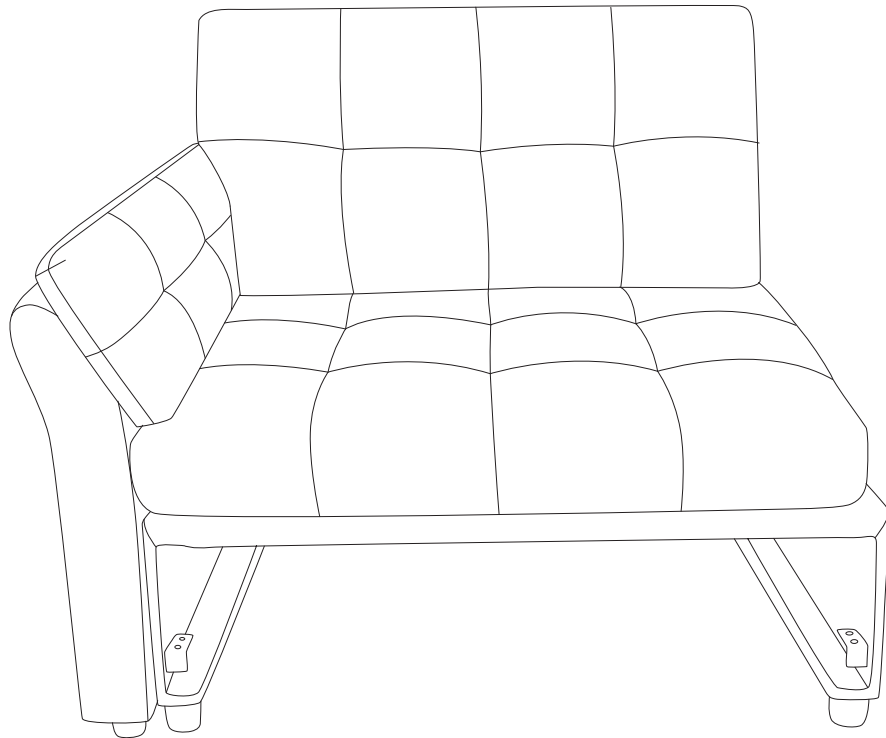
STEP 6



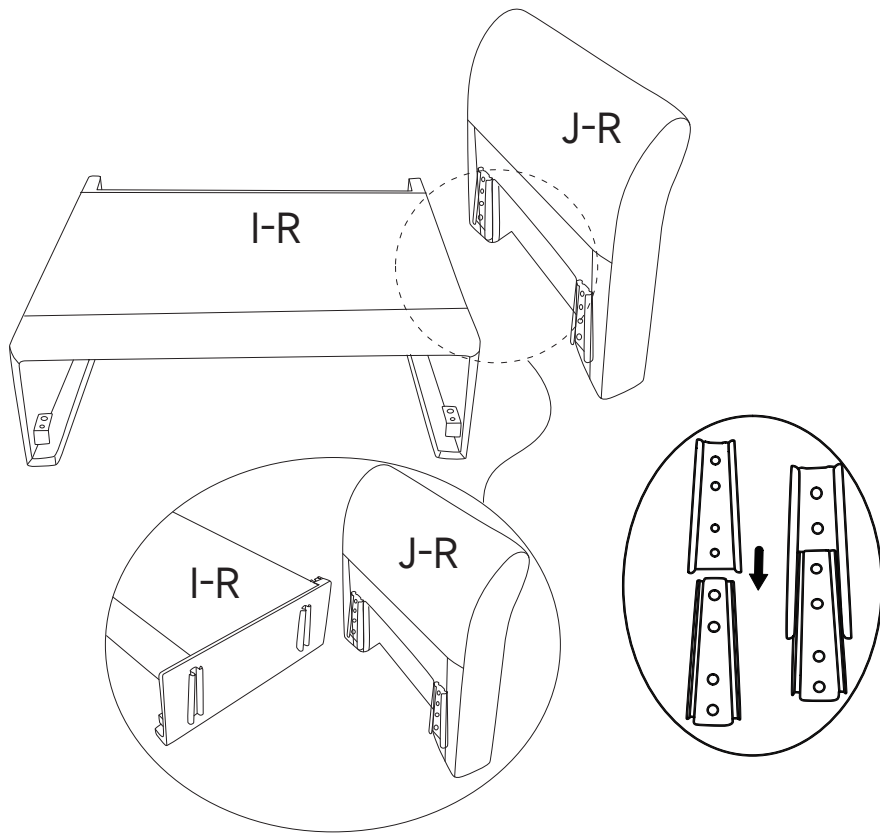
STEP 7







STEP 8

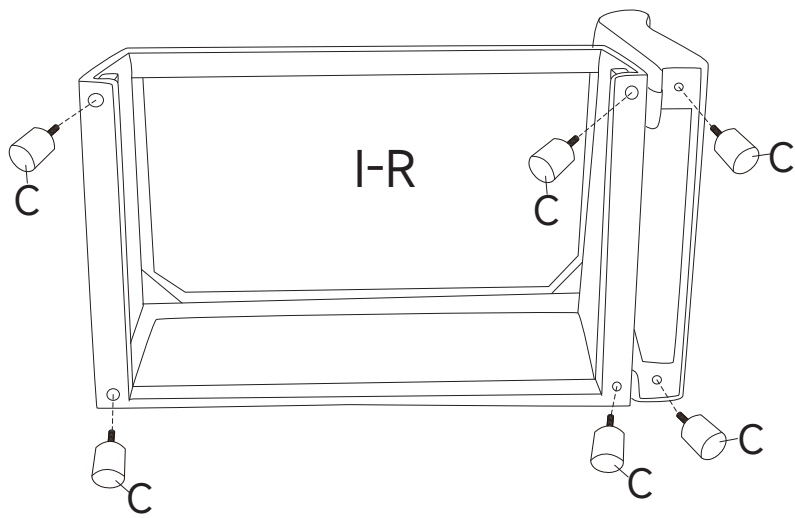
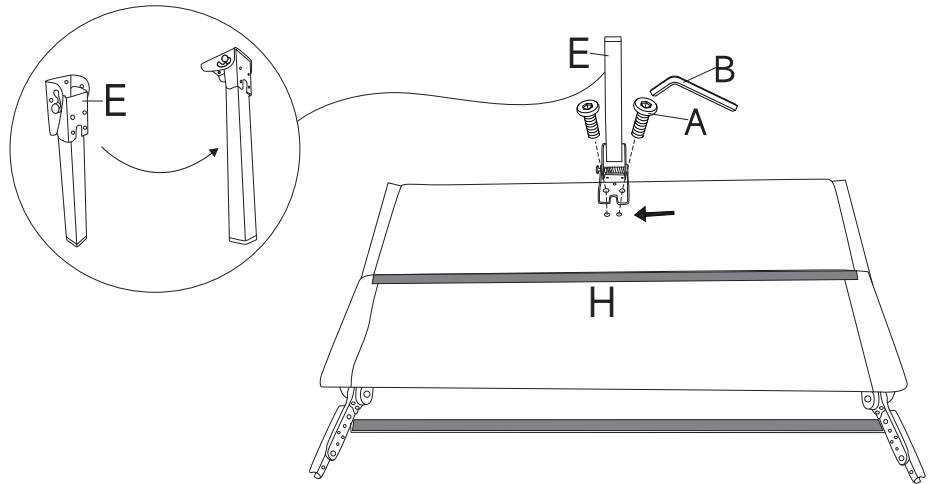


STEP 9

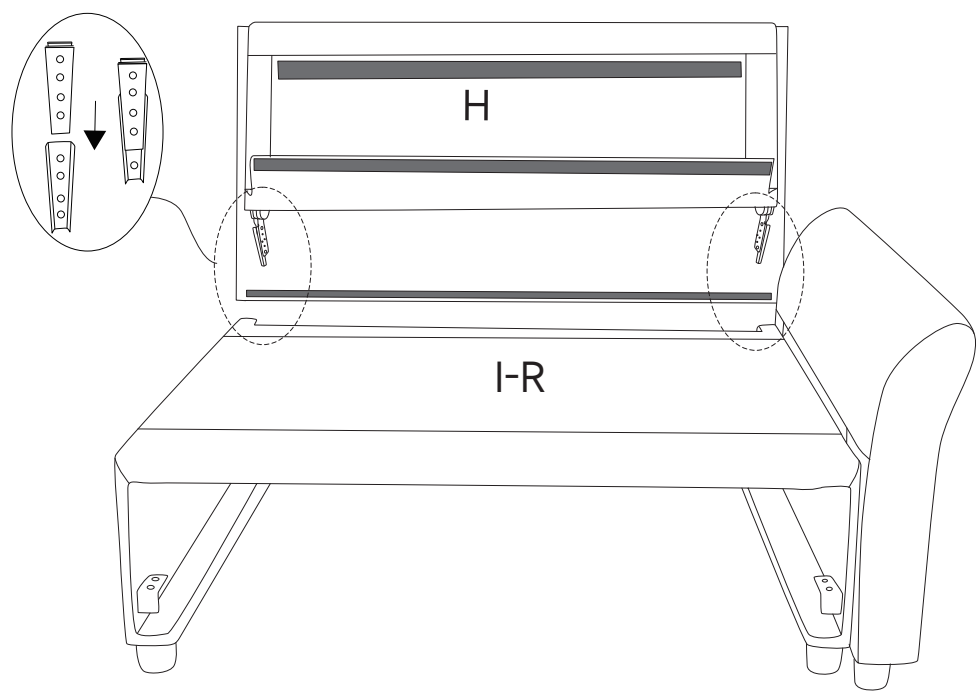


STEP 10

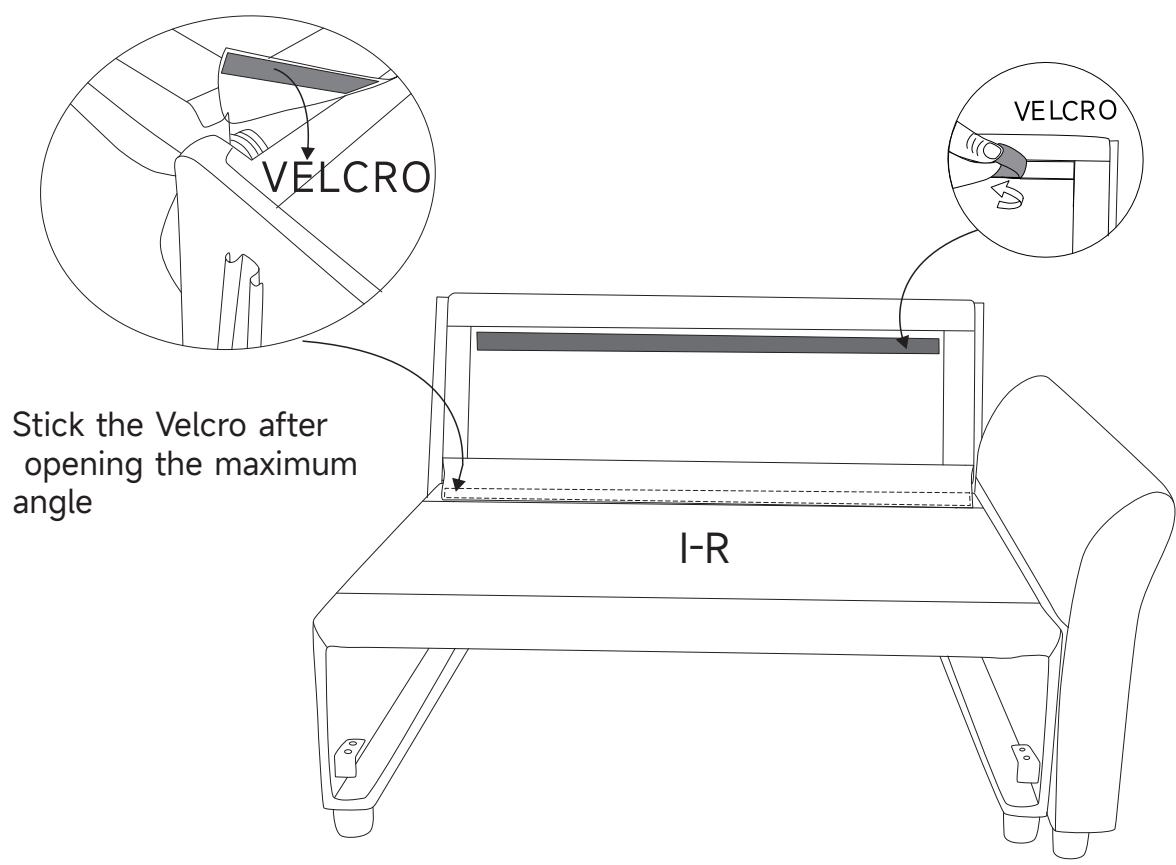
| | |
|---|-----|
|  | Ax2 |
|  | Bx1 |
|  | Cx6 |
|  | Ex1 |



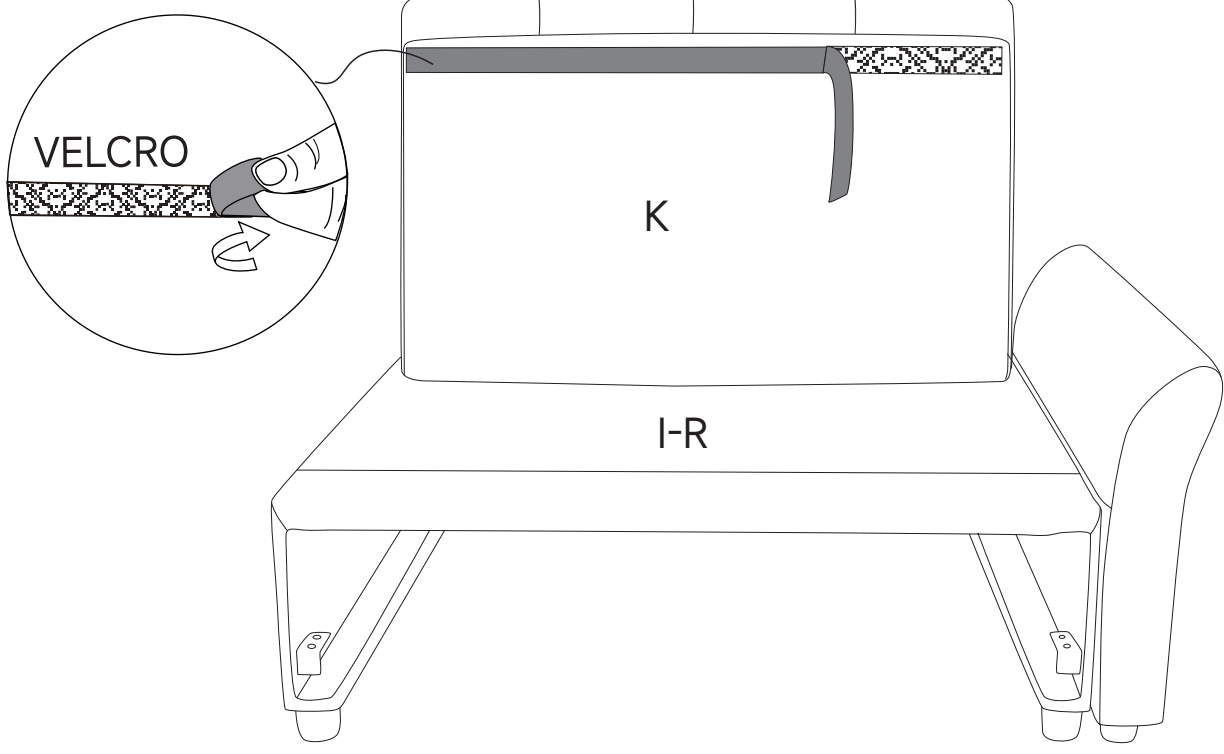
STEP 11



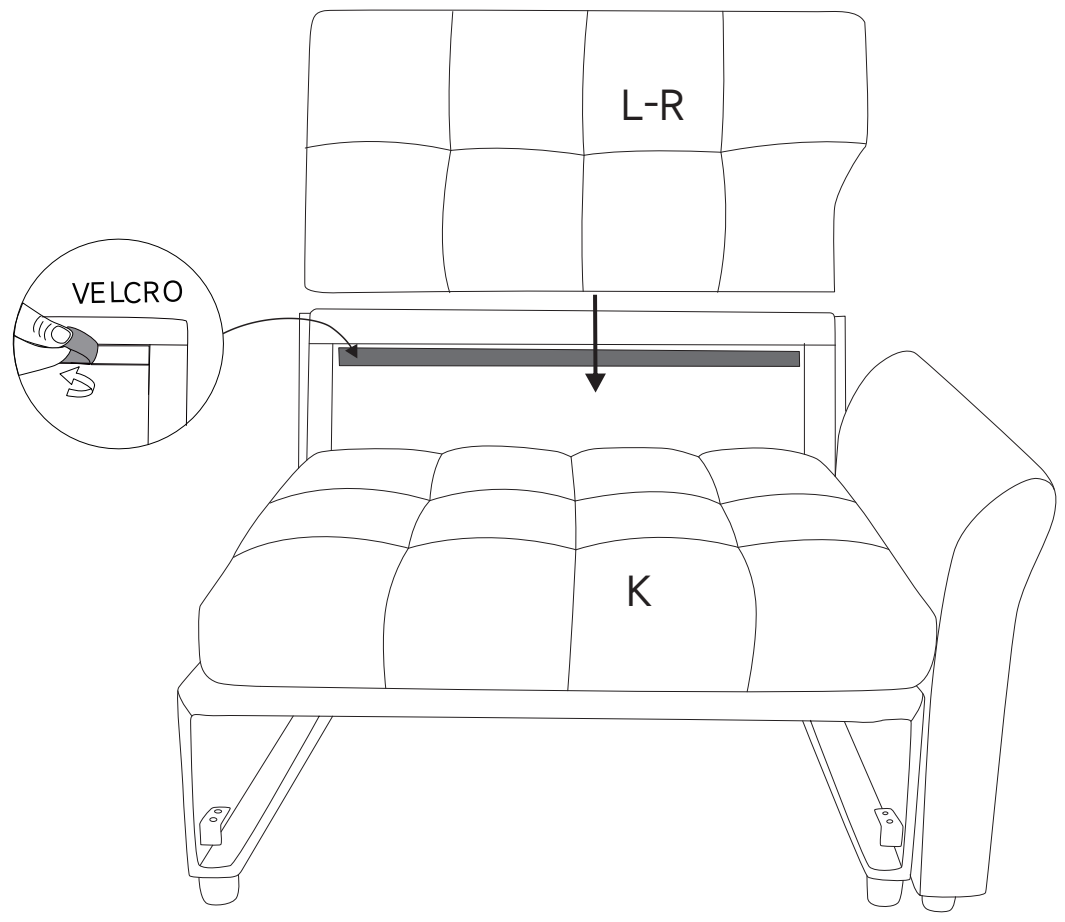
STEP 12



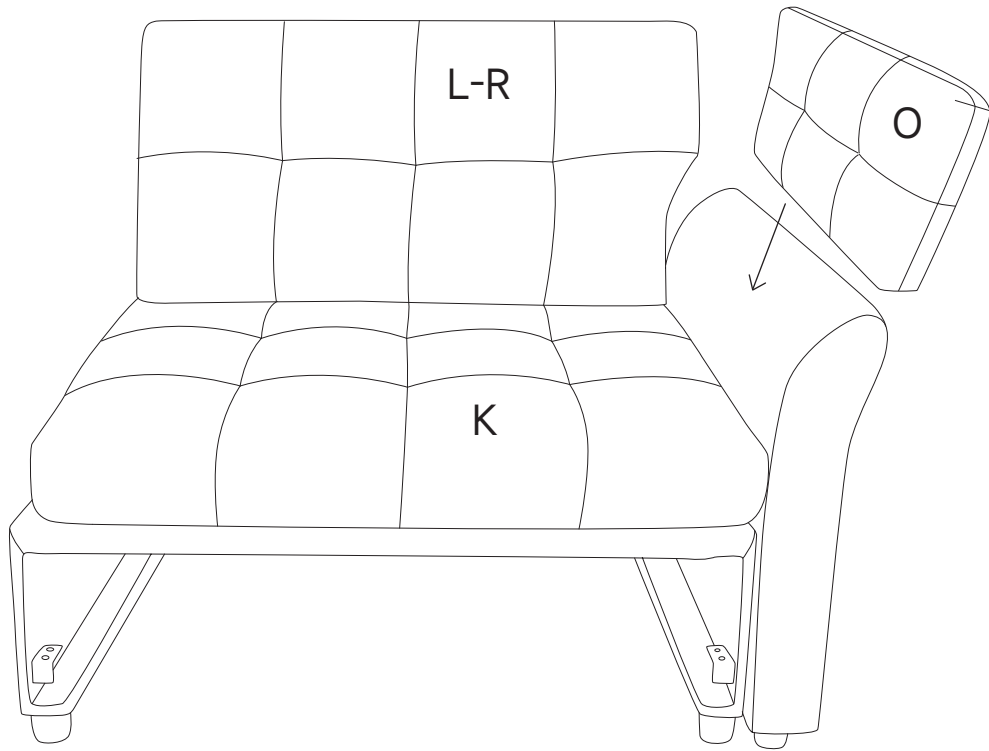
STEP 13



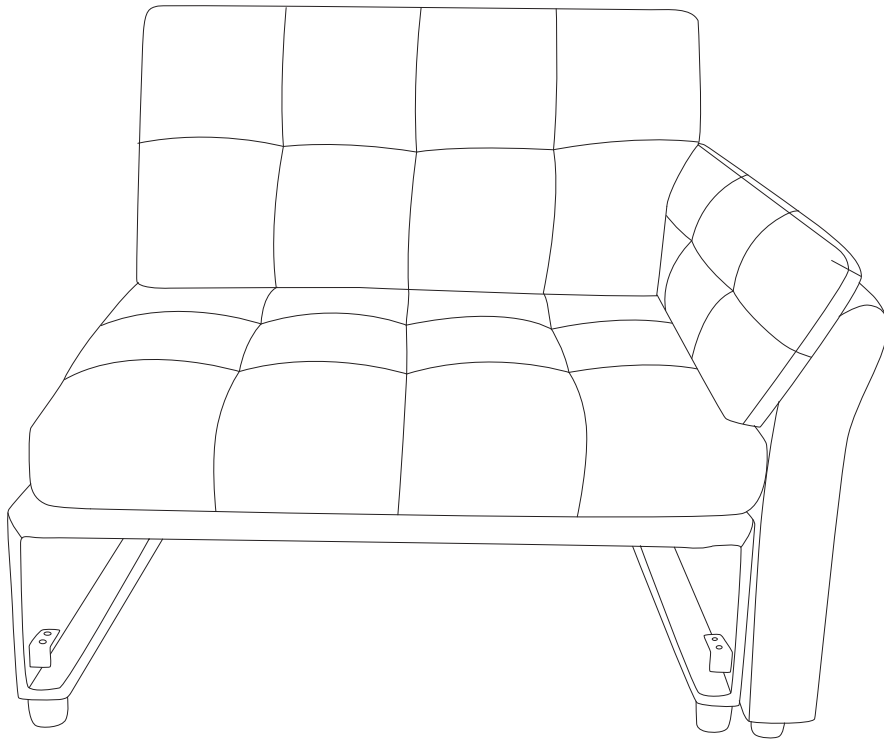
STEP 14



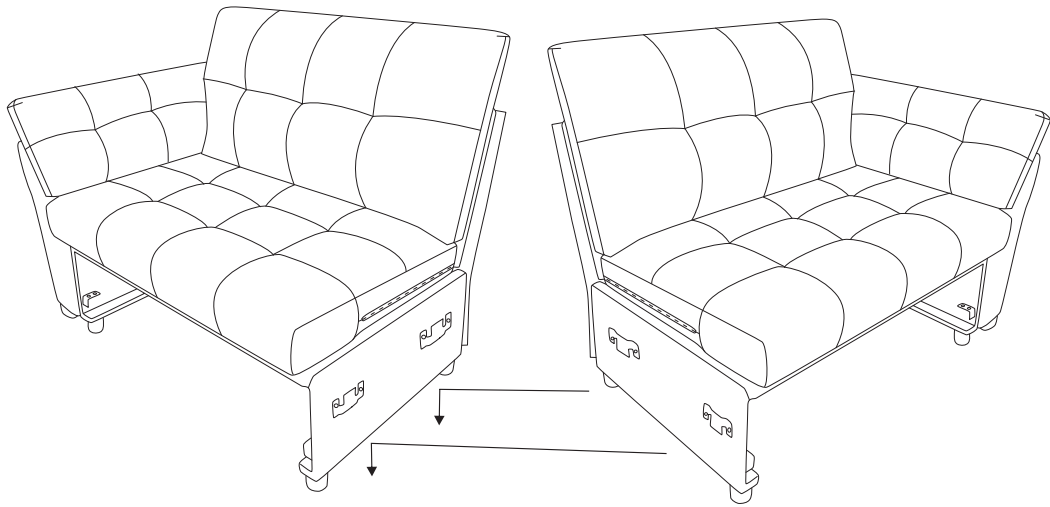
STEP 15



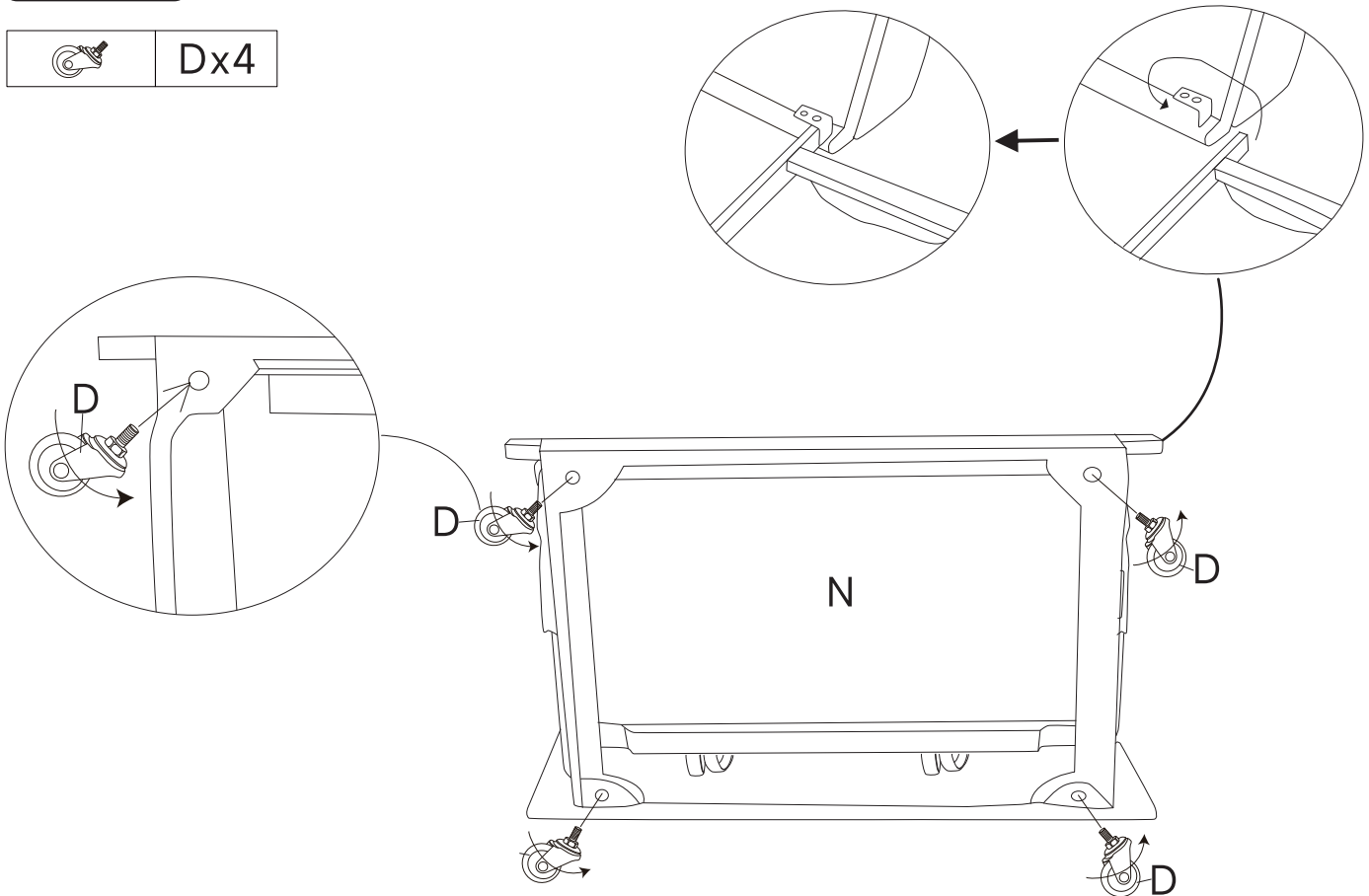
STEP 16



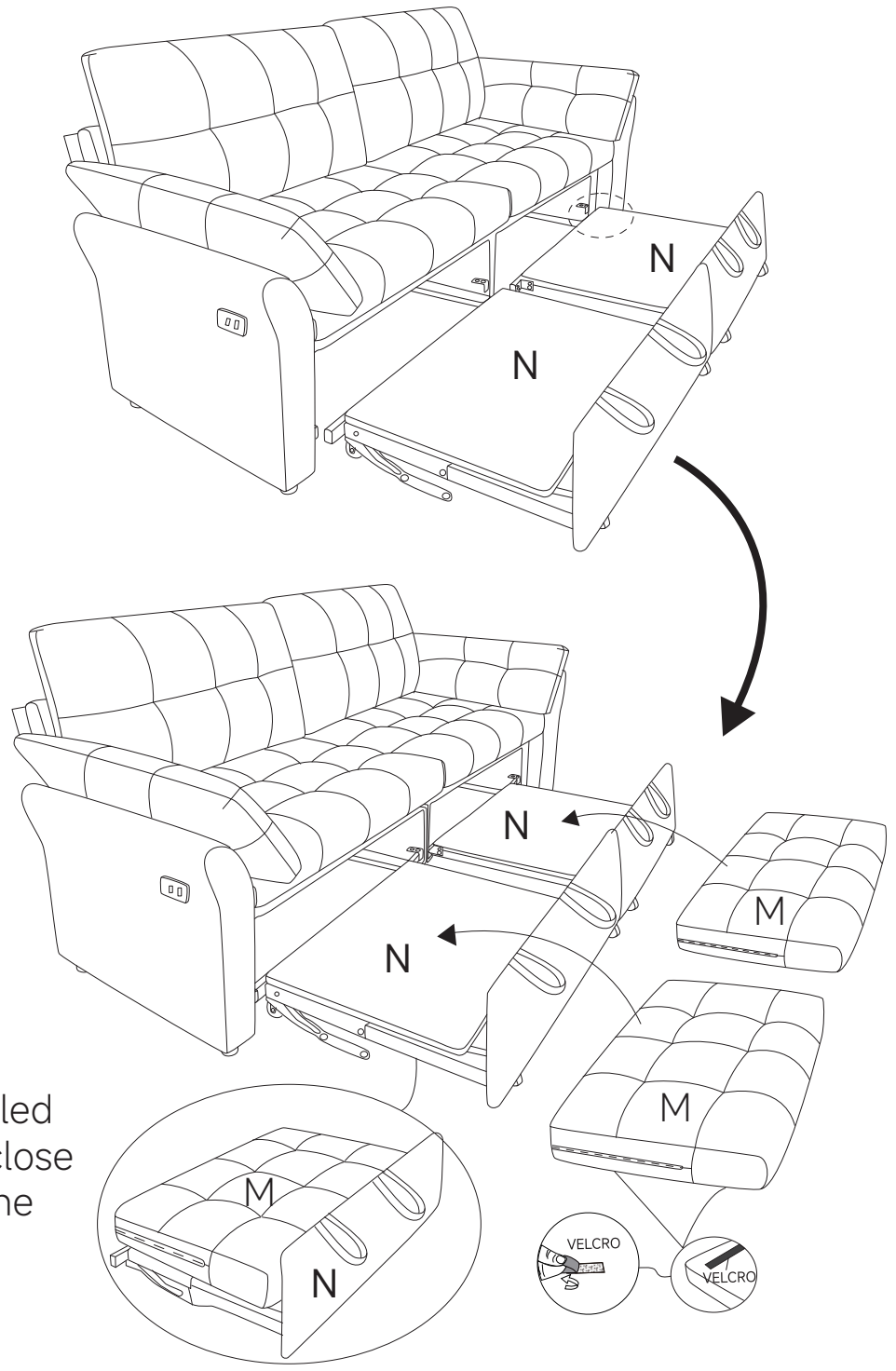
STEP 17



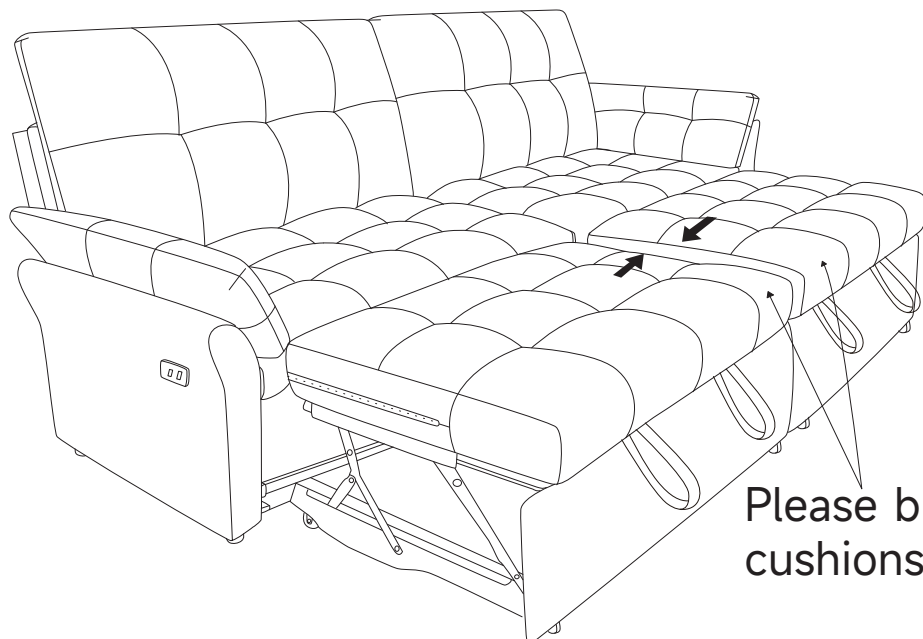
STEP 18



STEP 19

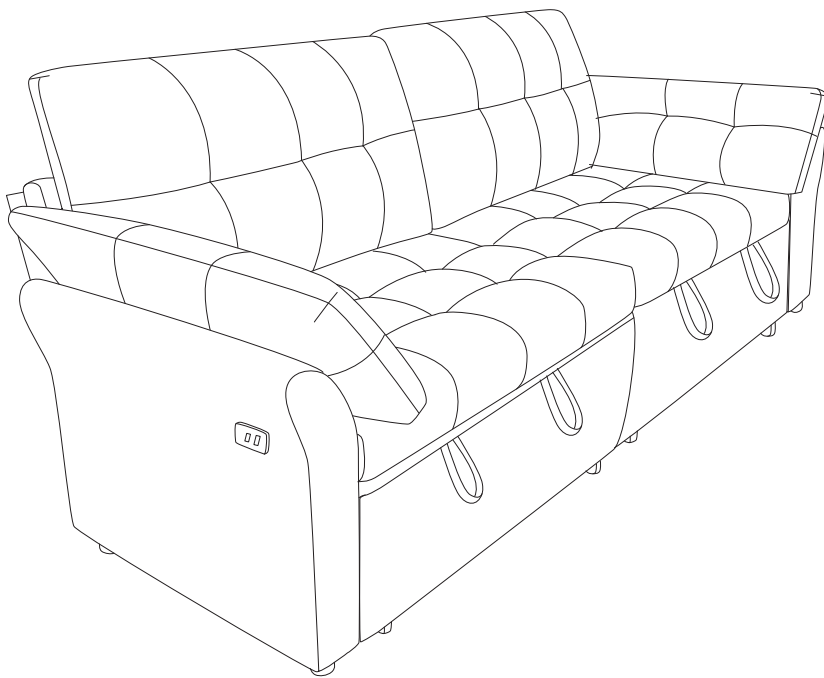
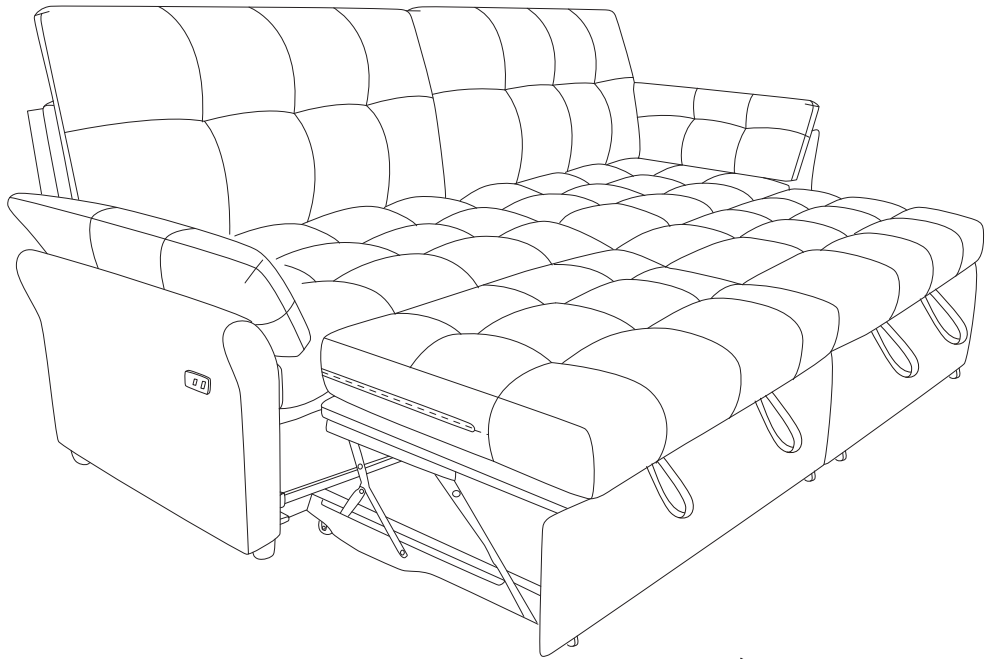


The pad is installed in the position, close to the edge of the outer frame.



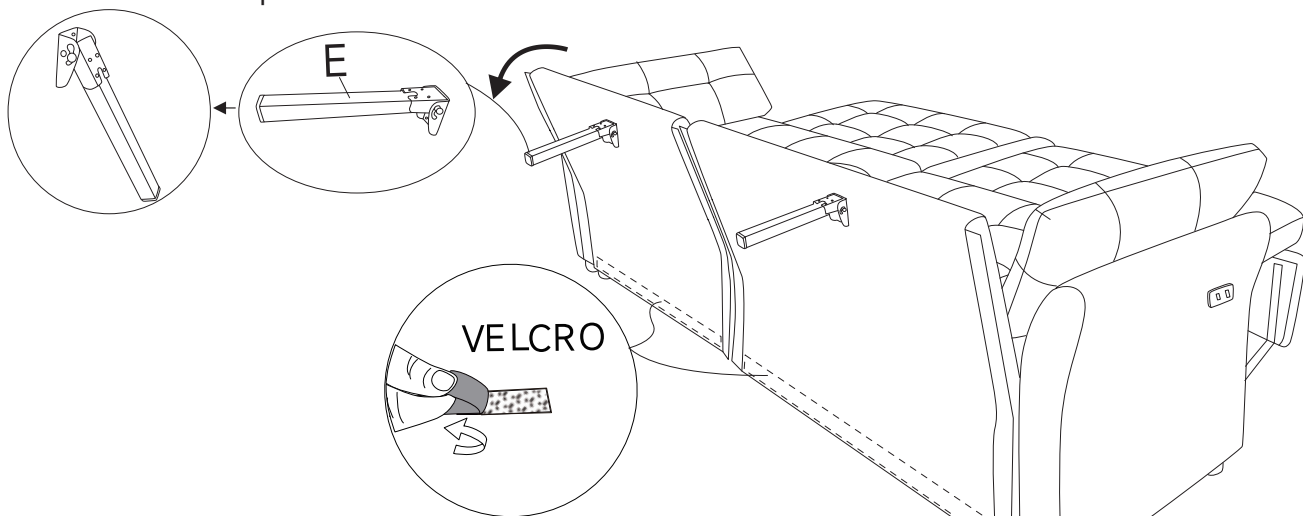
Please bring the two cushions closer together.

STEP 20

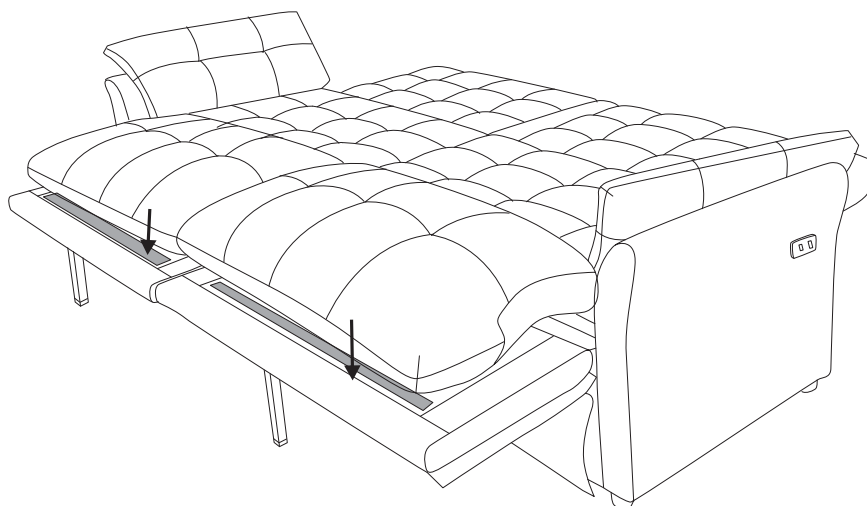


STEP 21

Noted: The backrest has 5 positions.
Push the backrest completely
towards the seat cushion to reset
the position.

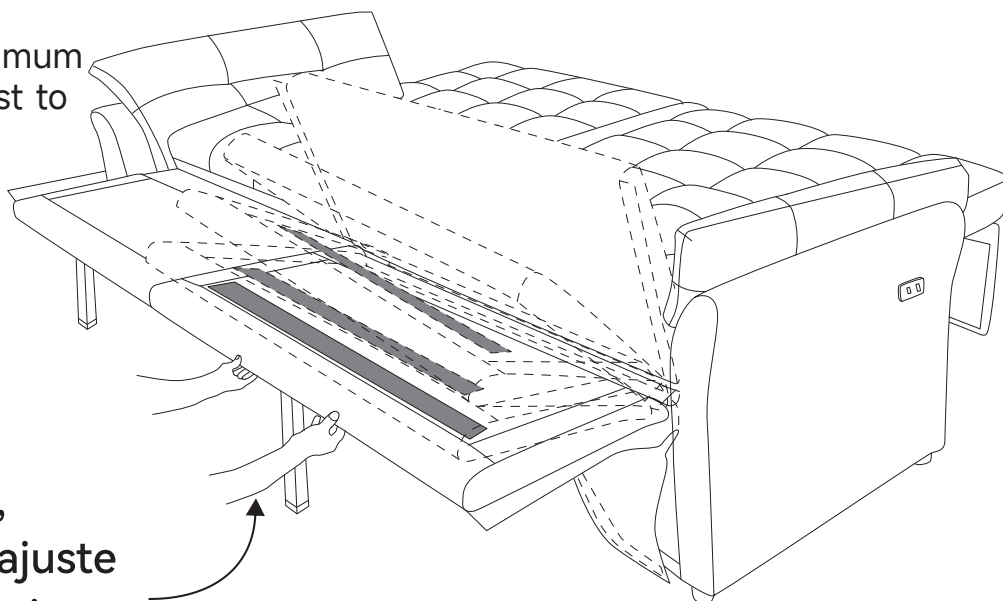


Please connect the armrest plug board
to the power cord.



① Three-gear angle
of 90 to 165 degrees

② Adjust to the maximum
angle and then adjust to
other angles



Por favor,
agarre y ajuste
el engranaje con
ambas manos.