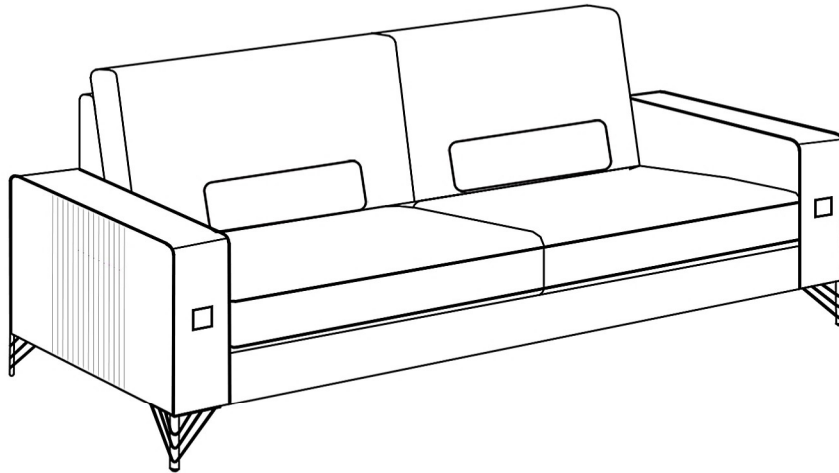


ASSEMBLY INSTRUCTIONS

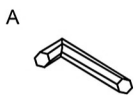
ITEM NO:P18-3S



Attention:

*Please do not move the sofa after installation. If you need to move the sofa, please disassemble the sofa first, and re-install it at your destination.

*Please keep this installation instruction for your future use.



Spanner
1PCS



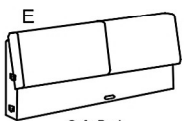
Bolt
18PCS



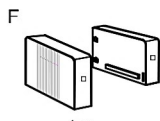
Middle leg
1PCS



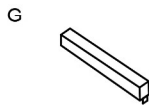
Legs
4PCS



Sofa Back
1PCS



Arm
2PCS



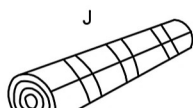
Center Bar
1PCS



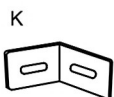
Seat Board
1PCS



Front Board
1PCS



Compressed seat cushion
2PCS



Connect hardware
2PCS

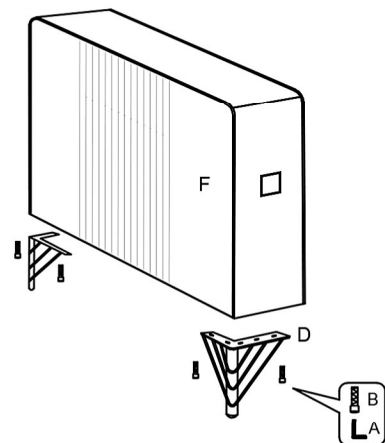


Seat cushion cover
2PCS

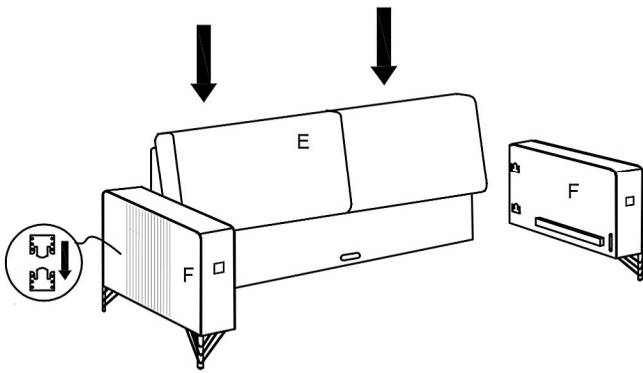


Lumbar pillow
2 PCS

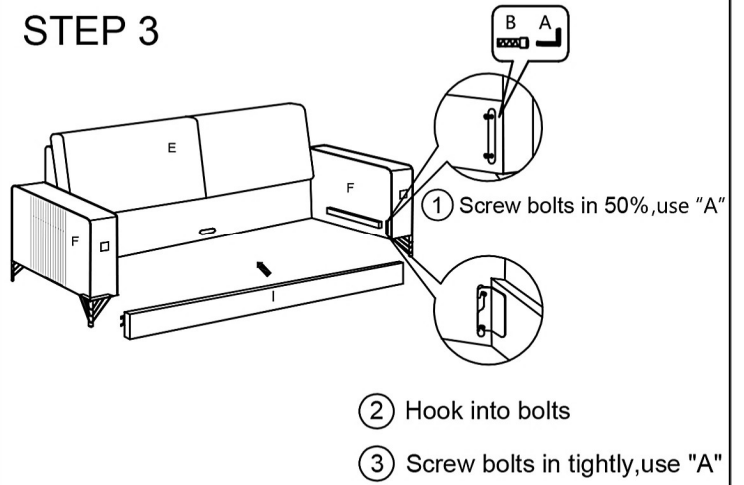
STEP 1



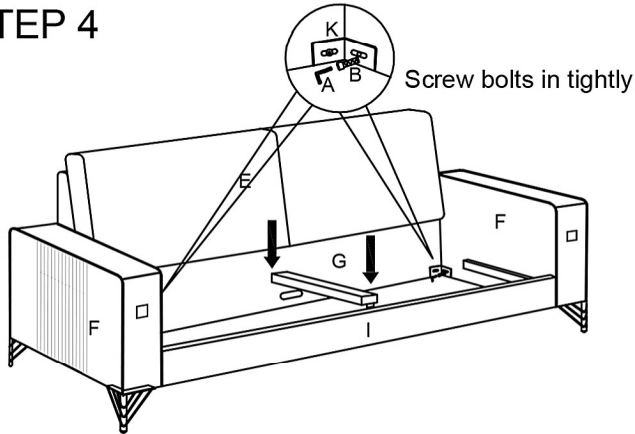
STEP 2



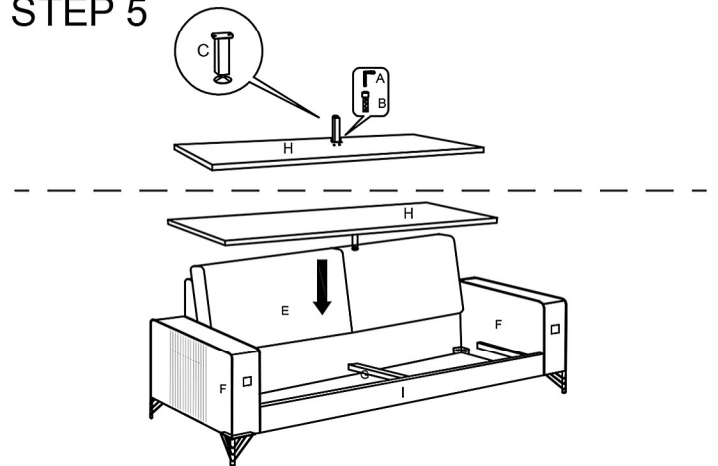
STEP 3



STEP 4



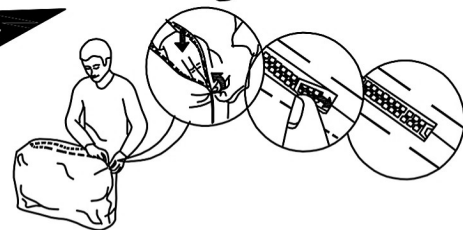
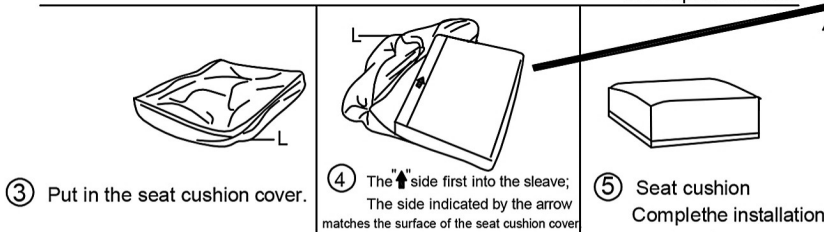
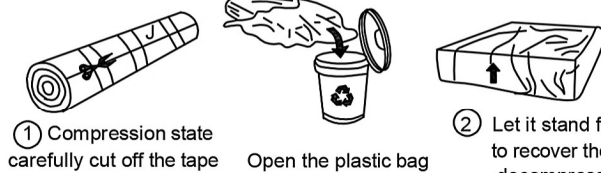
STEP 5



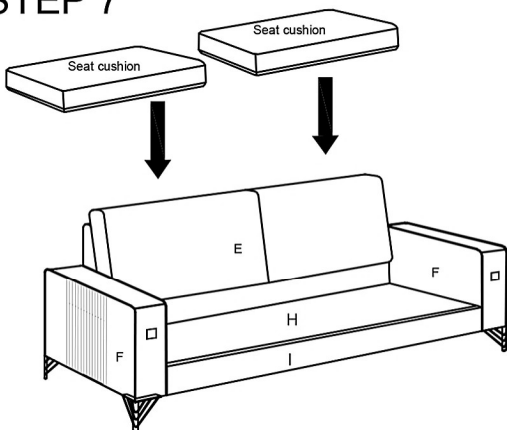
STEP 6

Compression use of Seat cushion.

How to tidy sofa seat cushions ?



STEP 7



STEP 8

