

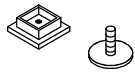


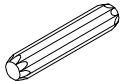

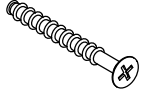
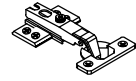

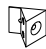


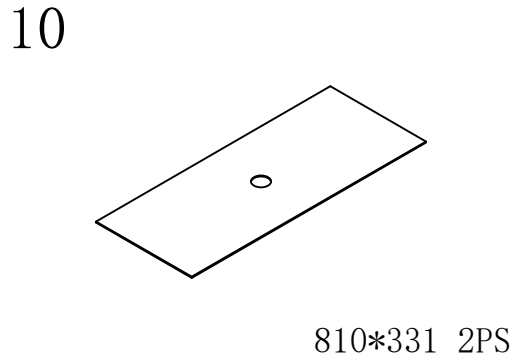
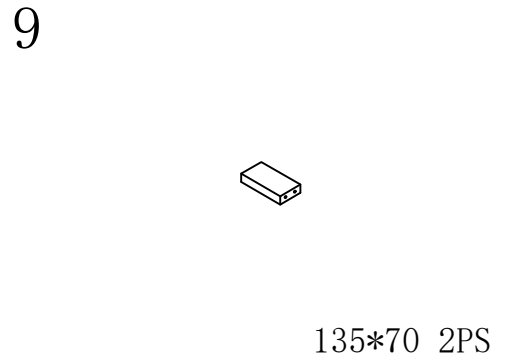
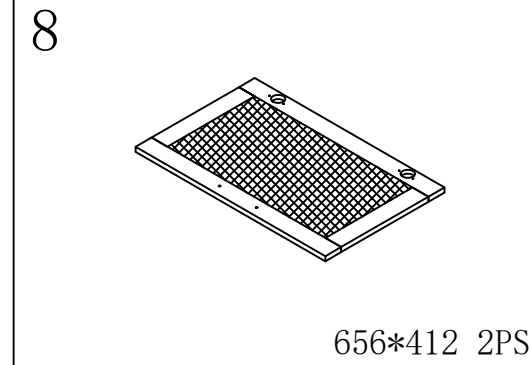
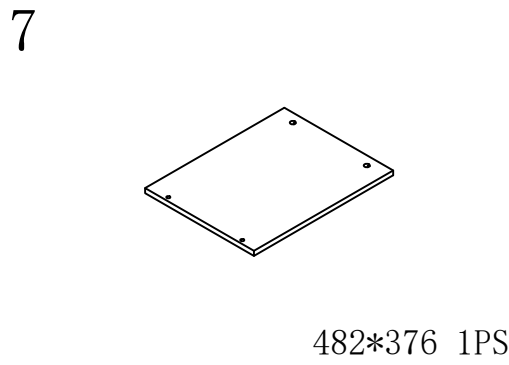
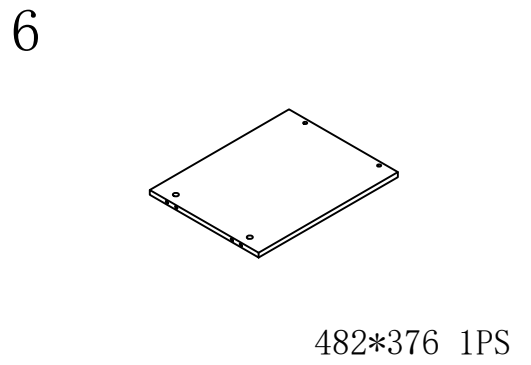
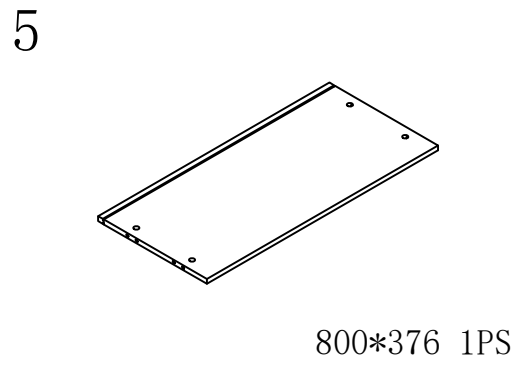
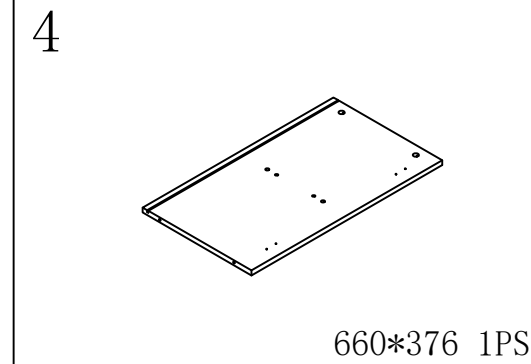
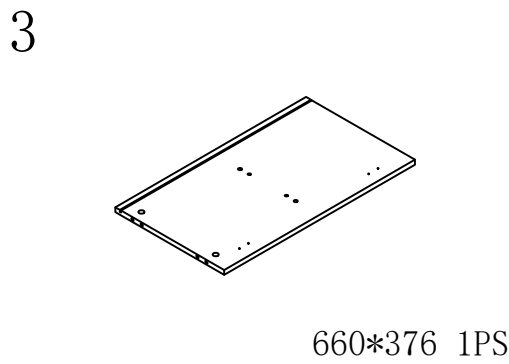
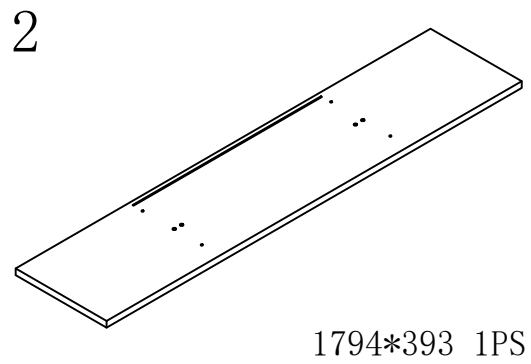
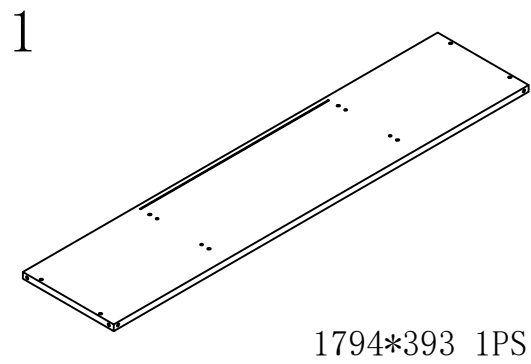


K  2PCS	L 4*18  4PCS	M 20*20  4PCS	A  12PCS	B  12PCS	C 8*40  12PCS	D 3.5*14  24PCS	E 7*50  8PCS	F  4PCS	G 6*10  20PCS	H  12PCS	I 3*12  12PCS	J  4PCS
---	--	---	---	--	---	---	---	---	---	--	---	---

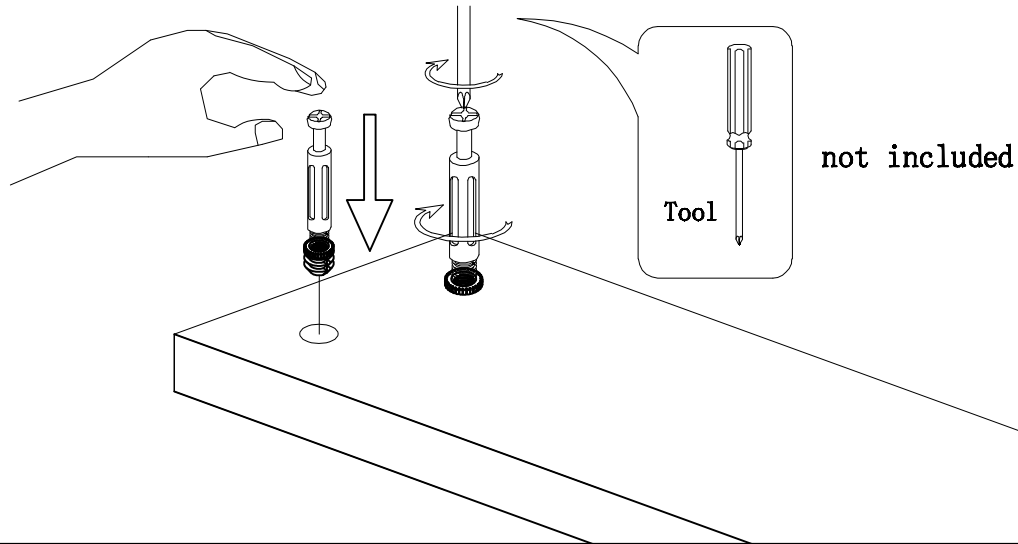




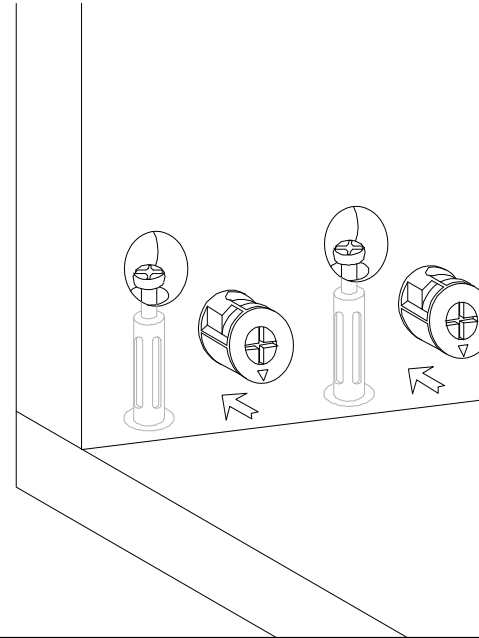
Hardware installation demonstration

NOTE: Please make sure "A" hardware tightened and can't be pulled out!

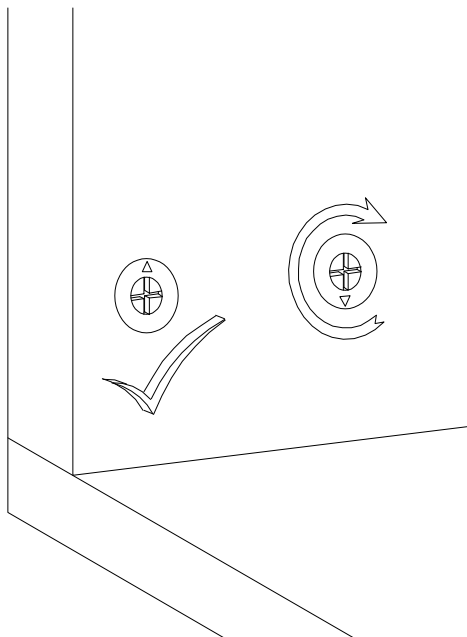
I



II

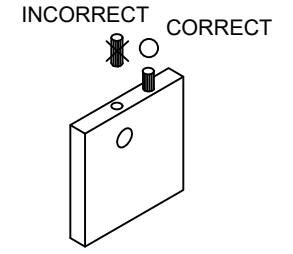
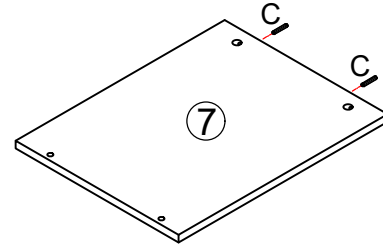
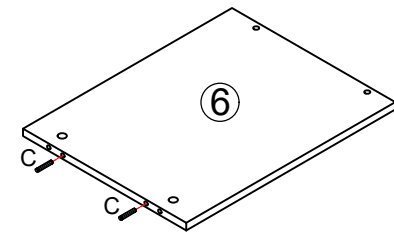
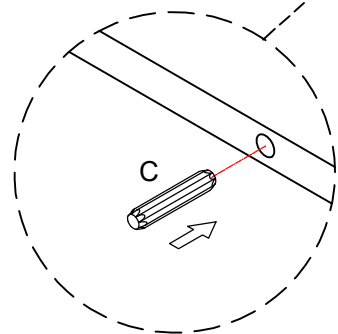
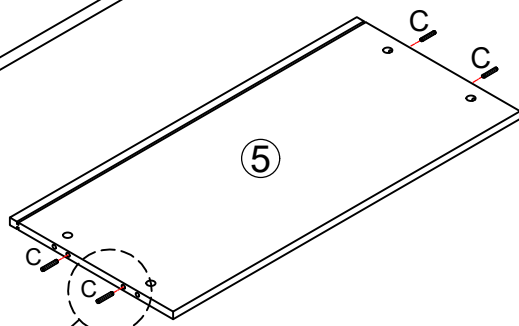
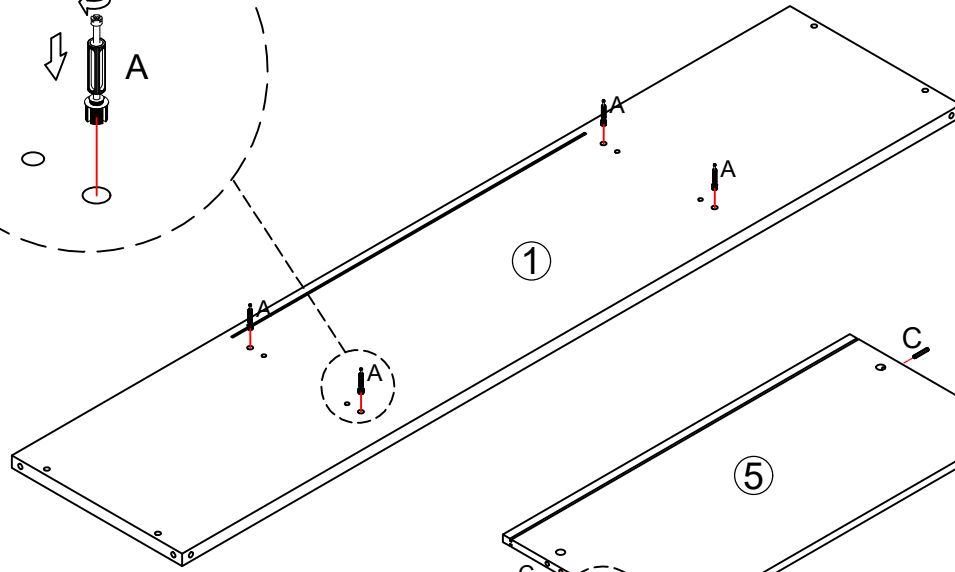
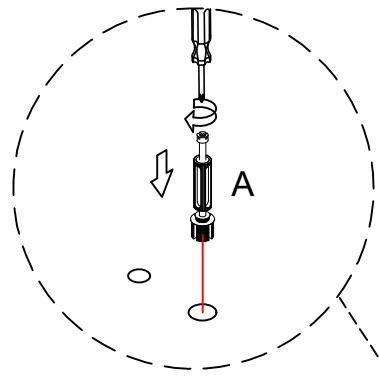



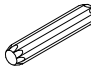
III



IV

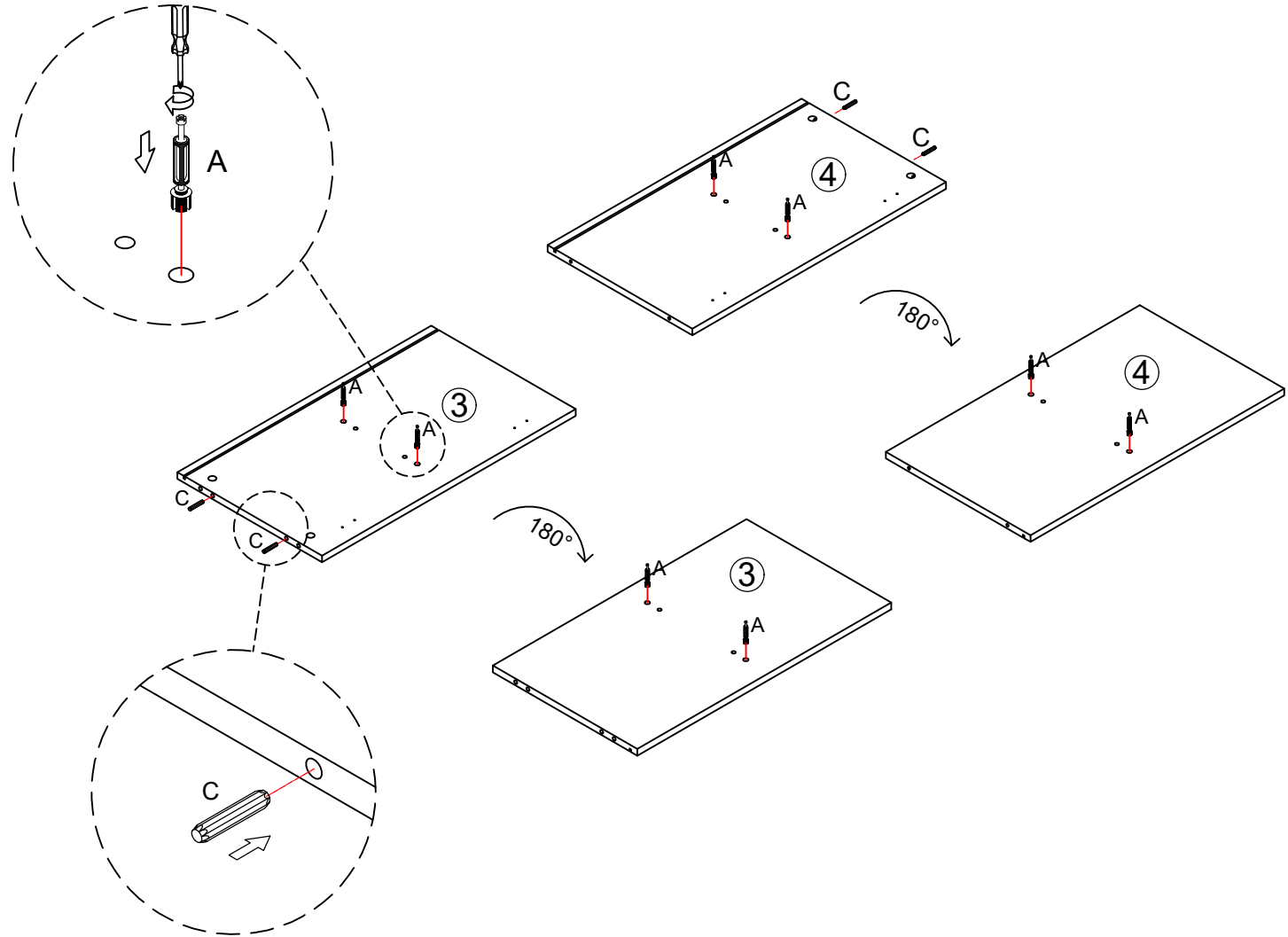
1



	A*4
	C*8

put A on board ①
put C on board ⑤⑥⑦

2



A*8



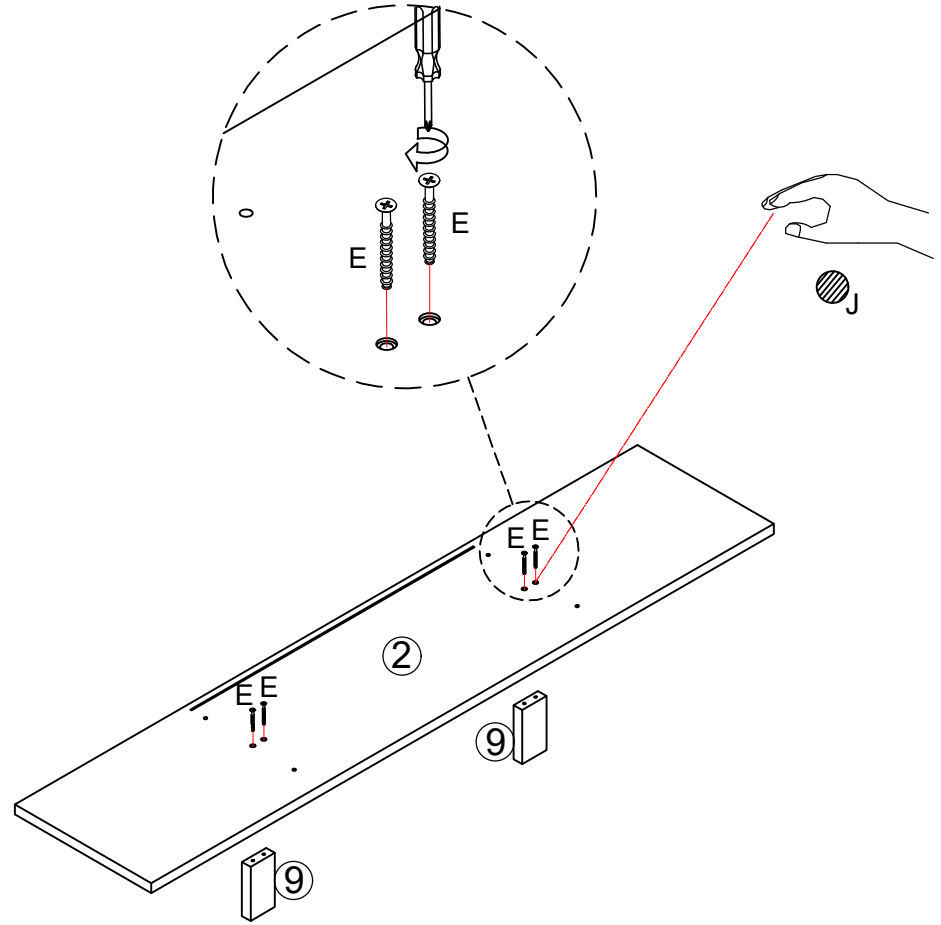
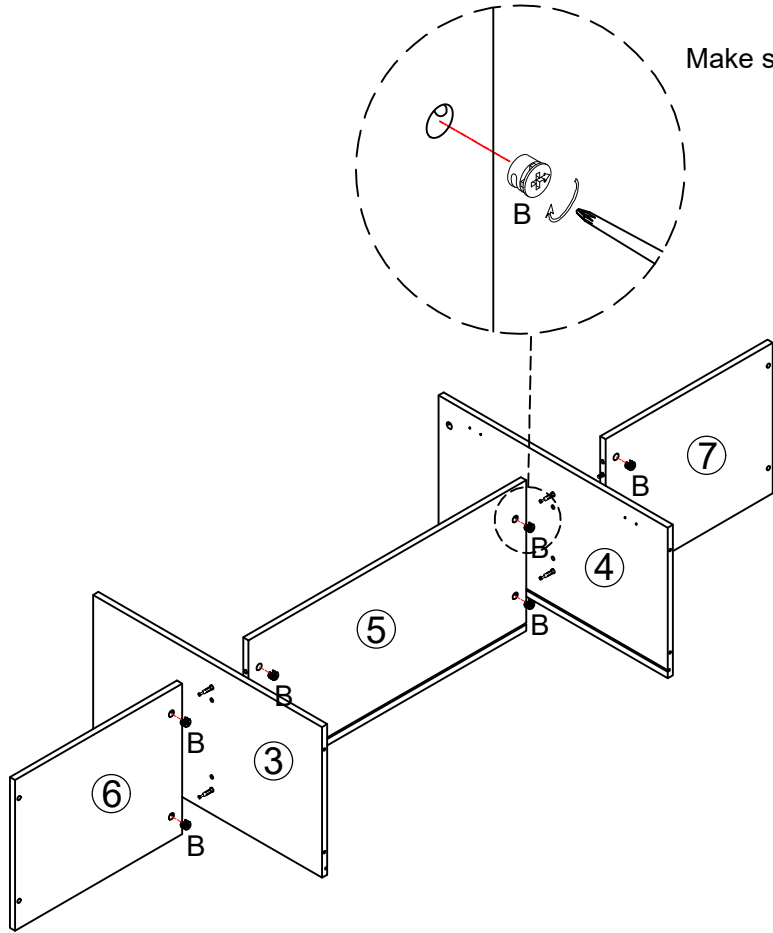
C*4

put A on board ③ ④

put C on board ③ ④

3

Make sure the arrow on the screw align to the hole on the side.



put B on board ⑤⑥⑦



B*8

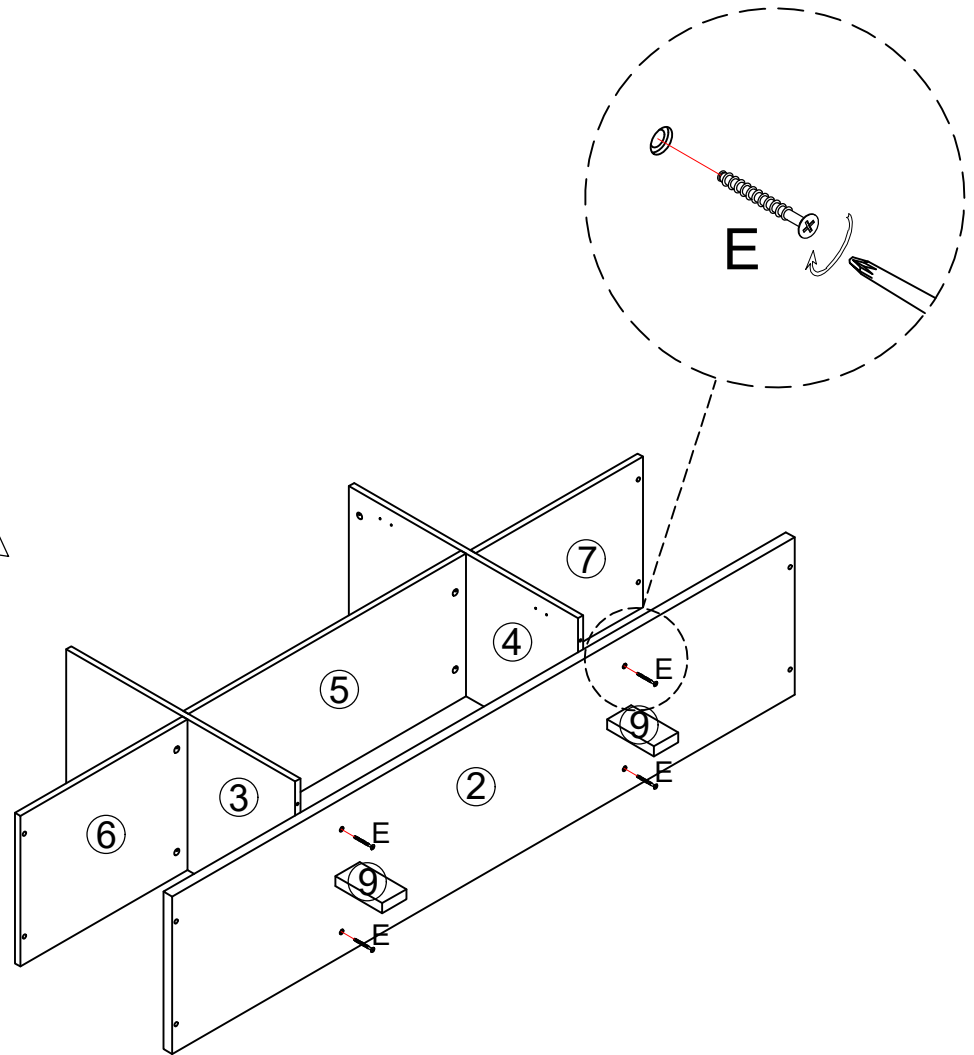
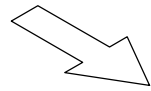
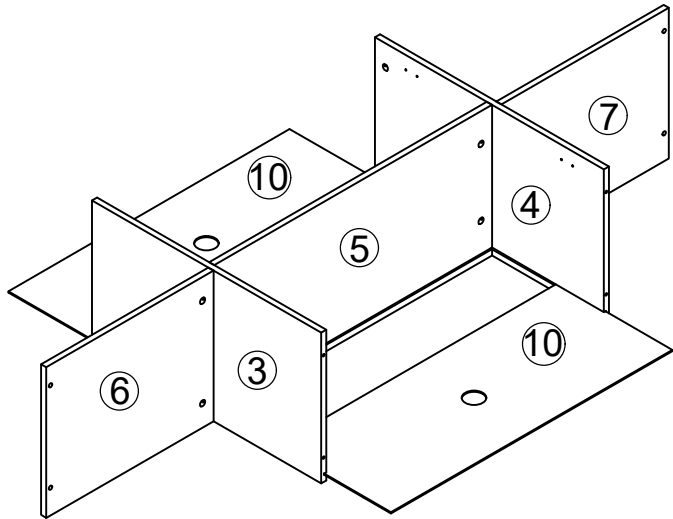


E*4



J*4

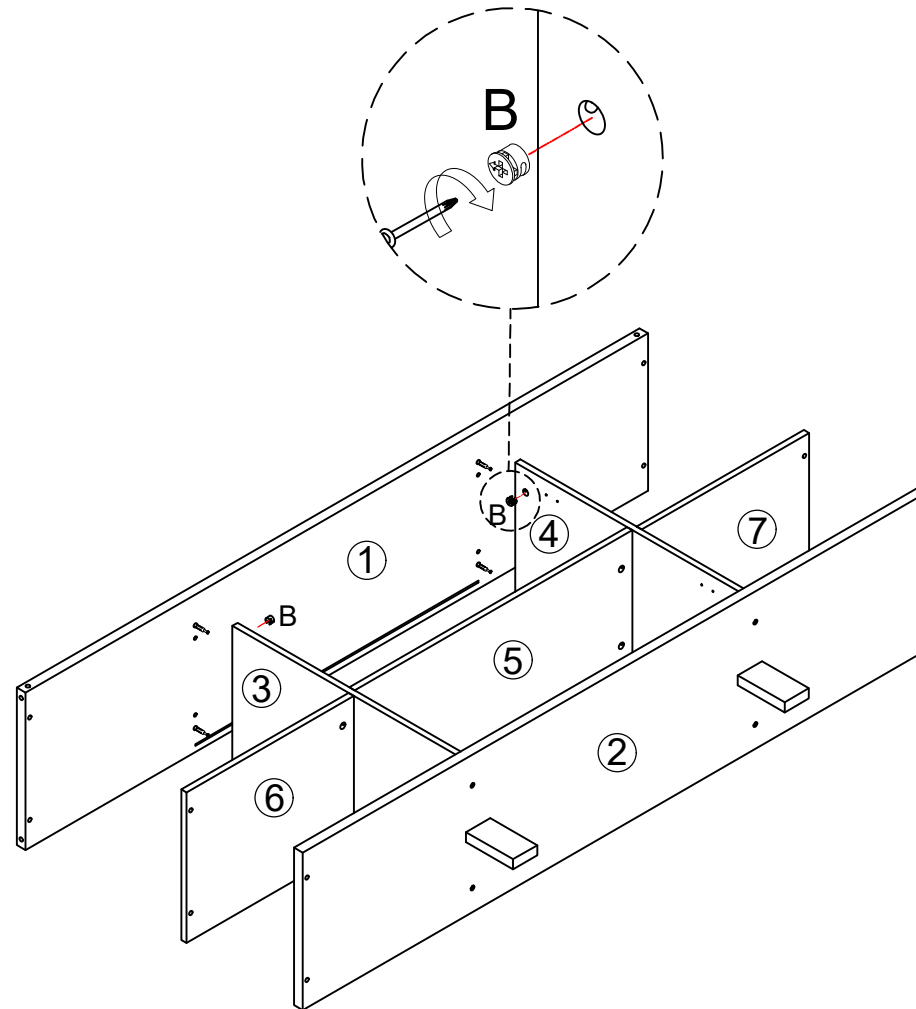
4



E*4

5

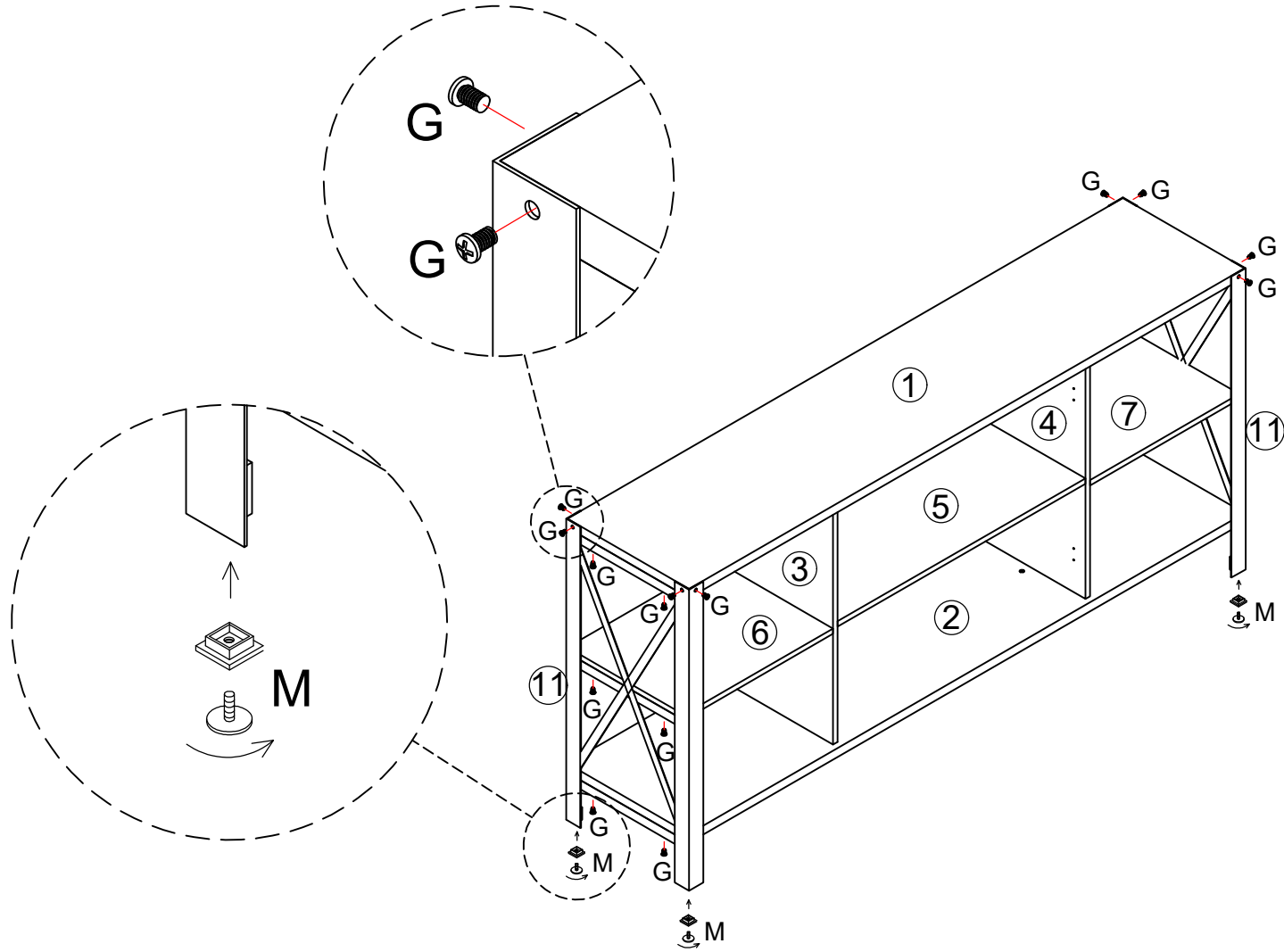
Make sure the arrow on the screw align to the hole on the side.





B*4

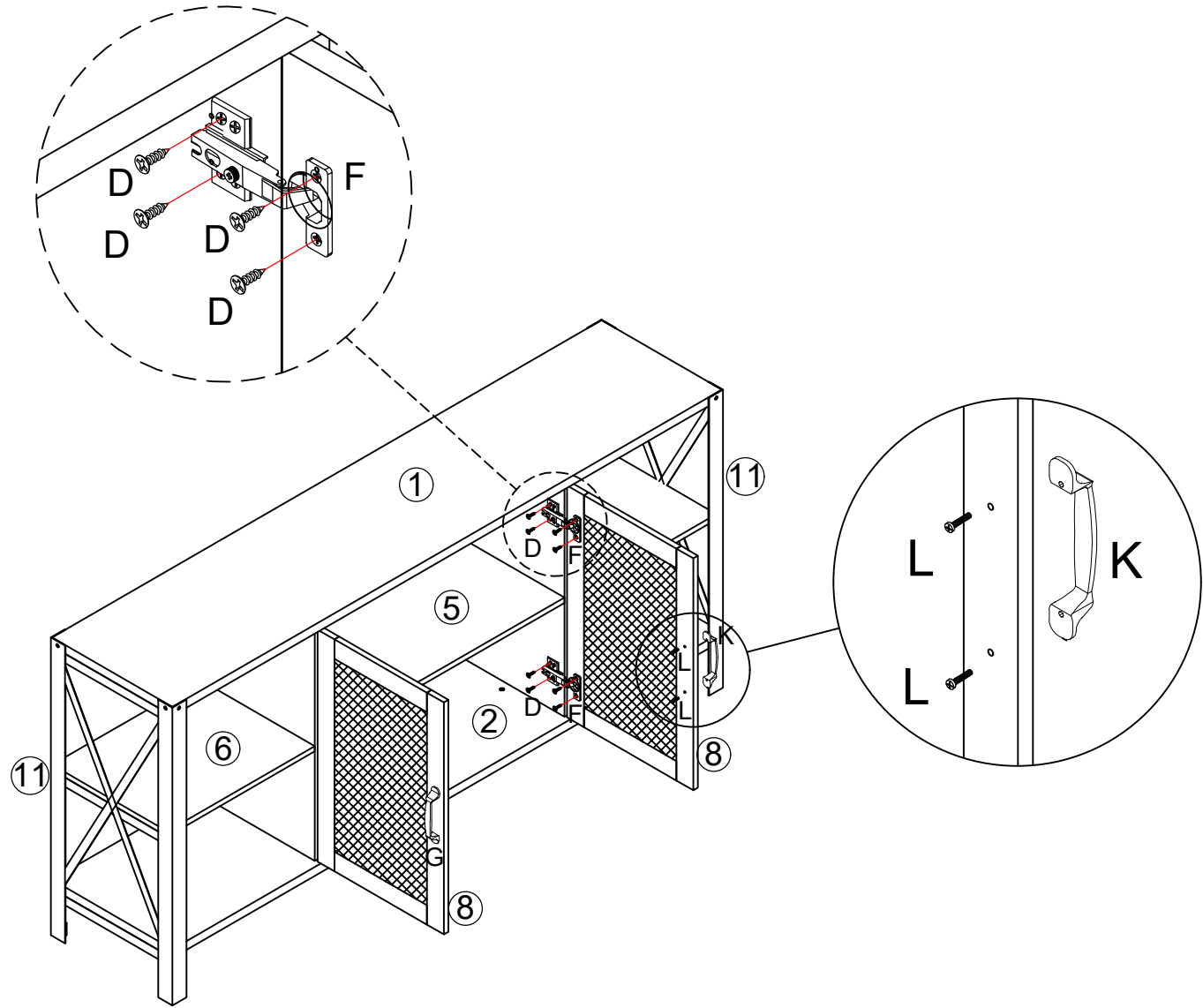
put B on board ③④

6

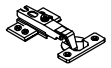


	G*20
	M*4

7



D*24



F*4

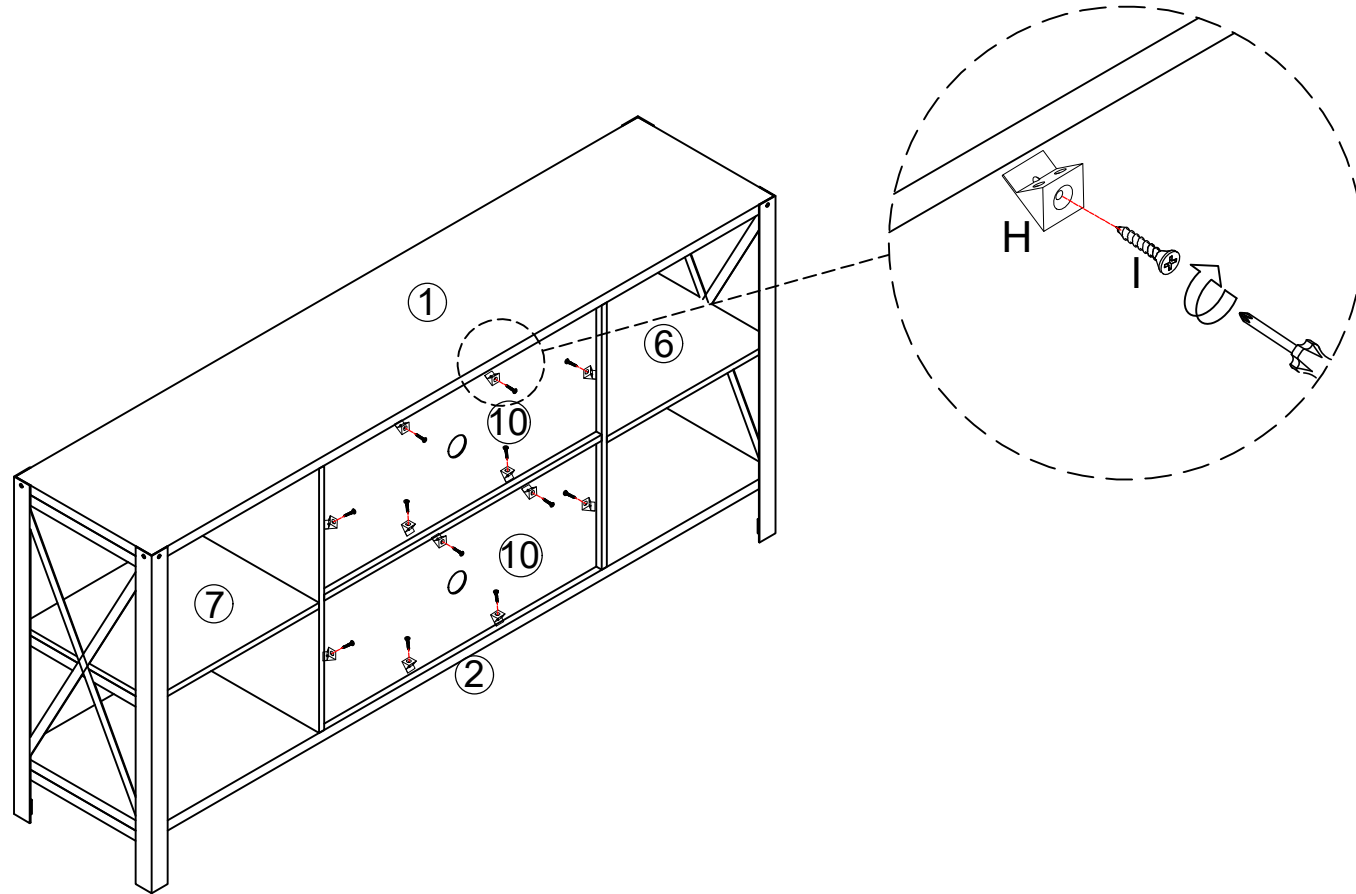


K*2



L*4

8



H*12



I*12

9

