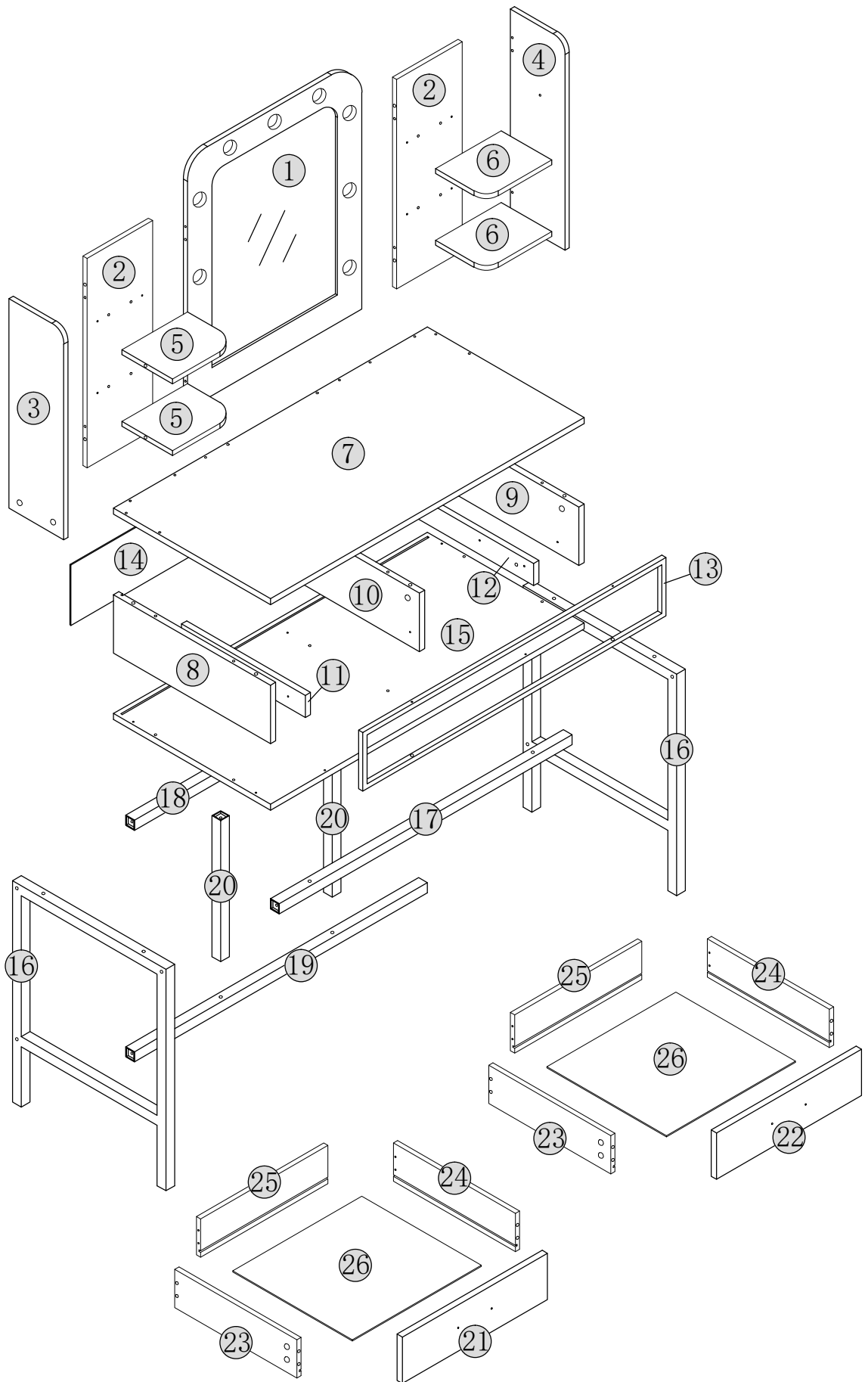
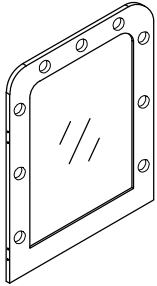
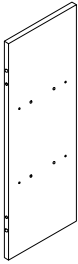


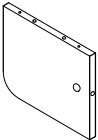
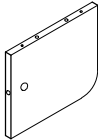
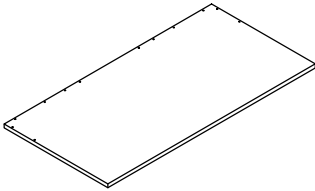
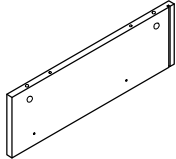
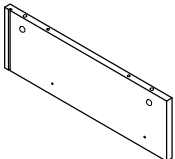
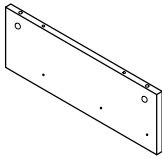
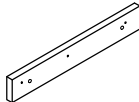
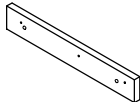
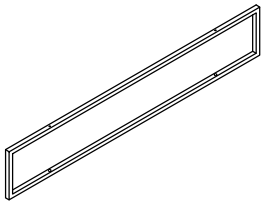
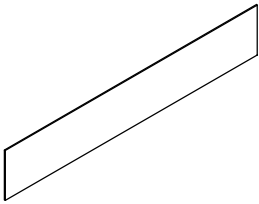
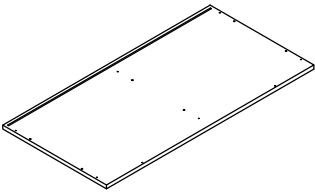
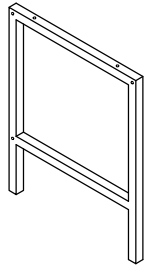
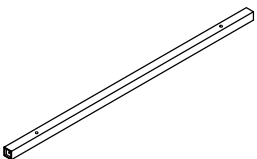
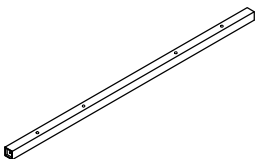
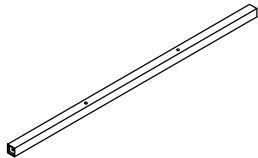



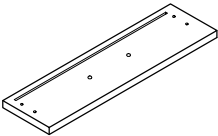
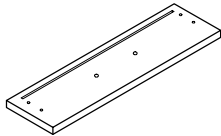
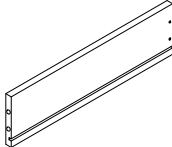
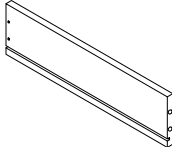
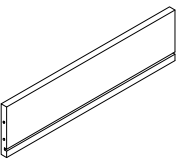
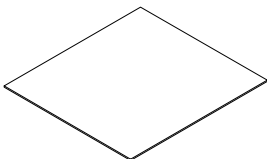
CAUTION:When tightening the screws , tighten sequentially. Do not tighten any screws fully and then towards the next one.when every part is OK, then tighten all the screws.



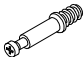


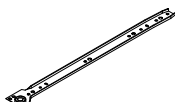
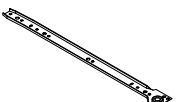









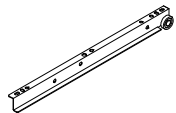
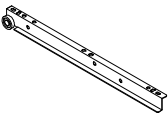



PLEASE BE CAREFUL DO NOT DAMAGE THE HOLE POSITION WHEN YOU USE POWER TOOLS !

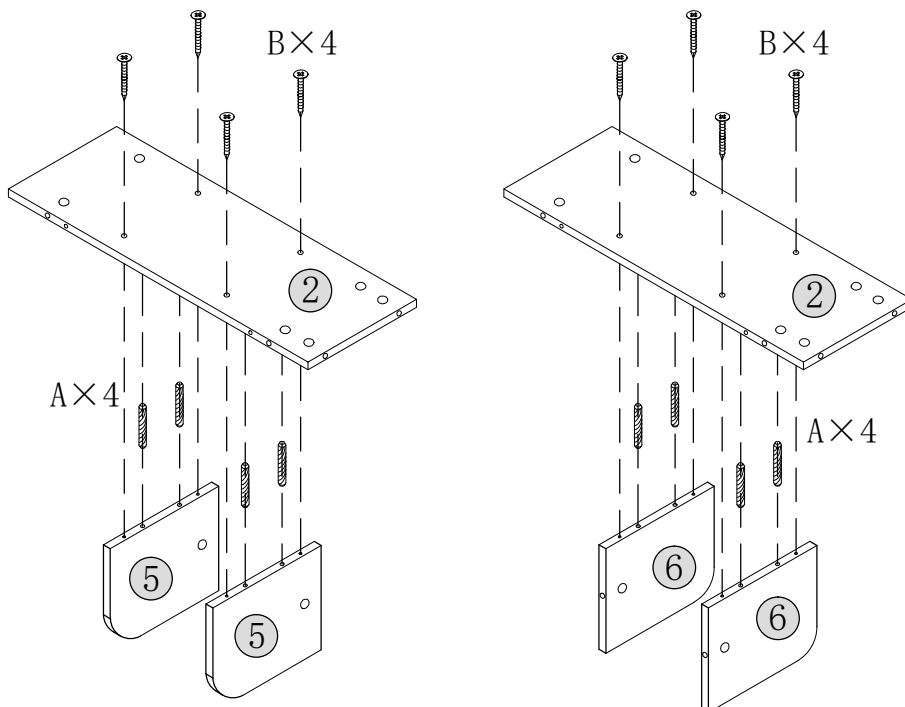




<p>①</p>  <p>1PC</p>	<p>②</p>  <p>2PCS</p>	<p>③</p>  <p>1PC</p>	<p>④</p>  <p>1PC</p>
<p>⑤</p>  <p>2PCS</p>	<p>⑥</p>  <p>2PCS</p>	<p>⑦</p>  <p>1PC</p>	<p>⑧</p>  <p>1PC</p>
<p>⑨</p>  <p>1PC</p>	<p>⑩</p>  <p>1PC</p>	<p>⑪</p>  <p>1PC</p>	<p>⑫</p>  <p>1PC</p>
<p>⑬</p>  <p>1PC</p>	<p>⑭</p>  <p>1PC</p>	<p>⑮</p>  <p>1PC</p>	<p>⑯</p>  <p>2PCS</p>
<p>⑰</p>  <p>1PC</p>	<p>⑱</p>  <p>1PC</p>	<p>⑲</p>  <p>1PC</p>	<p>⑳</p>  <p>2PCS</p>

<p>(21)</p>  <p>1PC</p>	<p>(22)</p>  <p>1PC</p>	<p>(23)</p>  <p>2PCS</p>	<p>(24)</p>  <p>2PCS</p>
<p>(25)</p>  <p>2PCS</p>	<p>(26)</p>  <p>2PCS</p>		

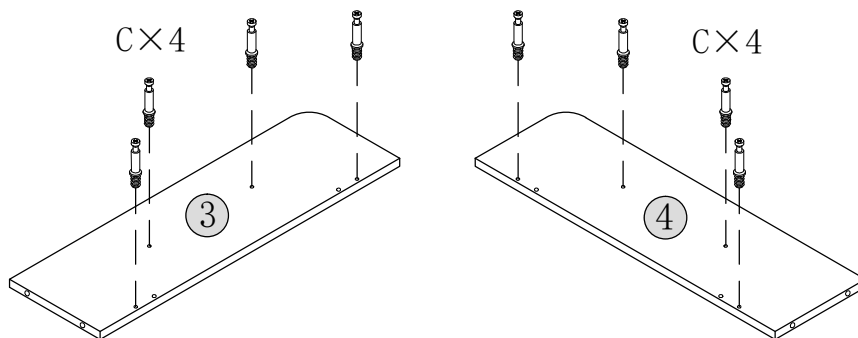
<p>A×30 +1</p>  <p>φ6×30mm</p>	<p>B×16 +1</p>  <p>φ4×30mm</p>	<p>C×36 +1</p>  <p>φ6×35mm</p>	<p>D×36 +1</p>  <p>φ15×10mm</p>	<p>E×4 +1</p>  <p>φ4×20mm</p>
<p>F×2</p> 	<p>G×2</p> 	<p>H×28 +1</p>  <p>φ3×12mm</p>	<p>I×4</p> 	<p>J×6 +1</p>  <p>φ4×35mm</p>
<p>K×10</p>  <p>φ6×50mm</p>	<p>L×8</p>  <p>φ6×35mm</p>	<p>M×9</p> 	<p>N×9</p> 	<p>O×2</p> 
<p>P×4</p>  <p>φ4×18mm</p>	<p>Q×2</p> 	<p>R×2</p> 	<p>S×4</p> 	


1



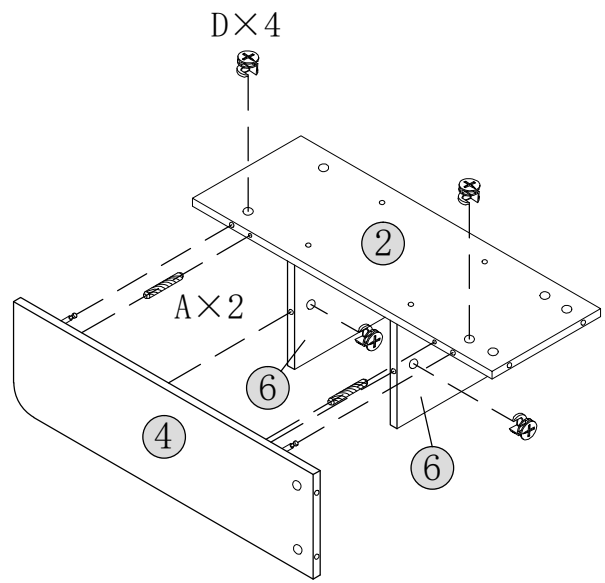
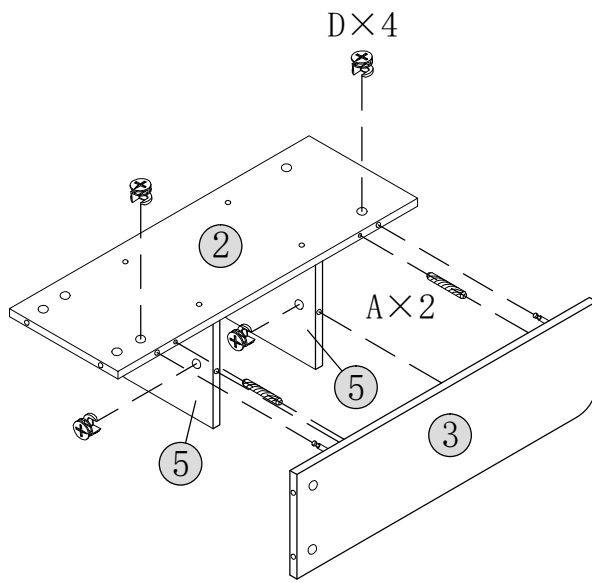
A×8	B×8
	
φ6×30mm	φ4×30mm

2



C×8

φ6×35mm

3



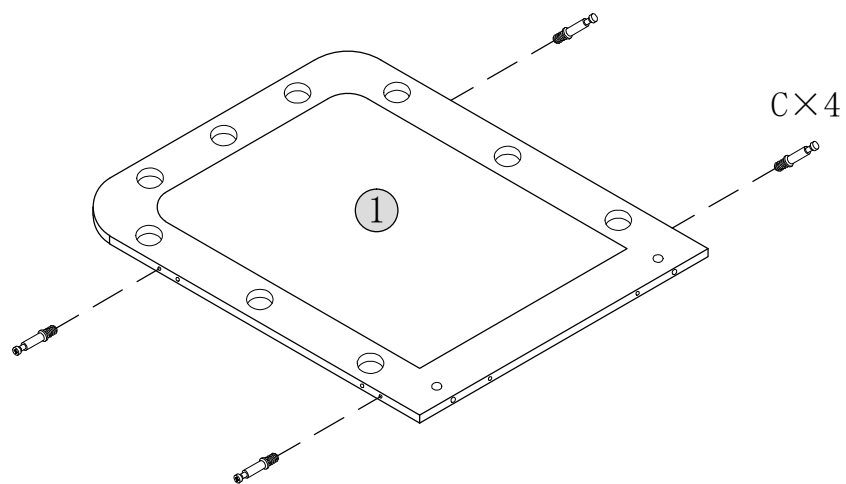
A x 4

 $\phi 6 \times 30\text{mm}$

D x 8

 $\phi 15 \times 10\text{mm}$

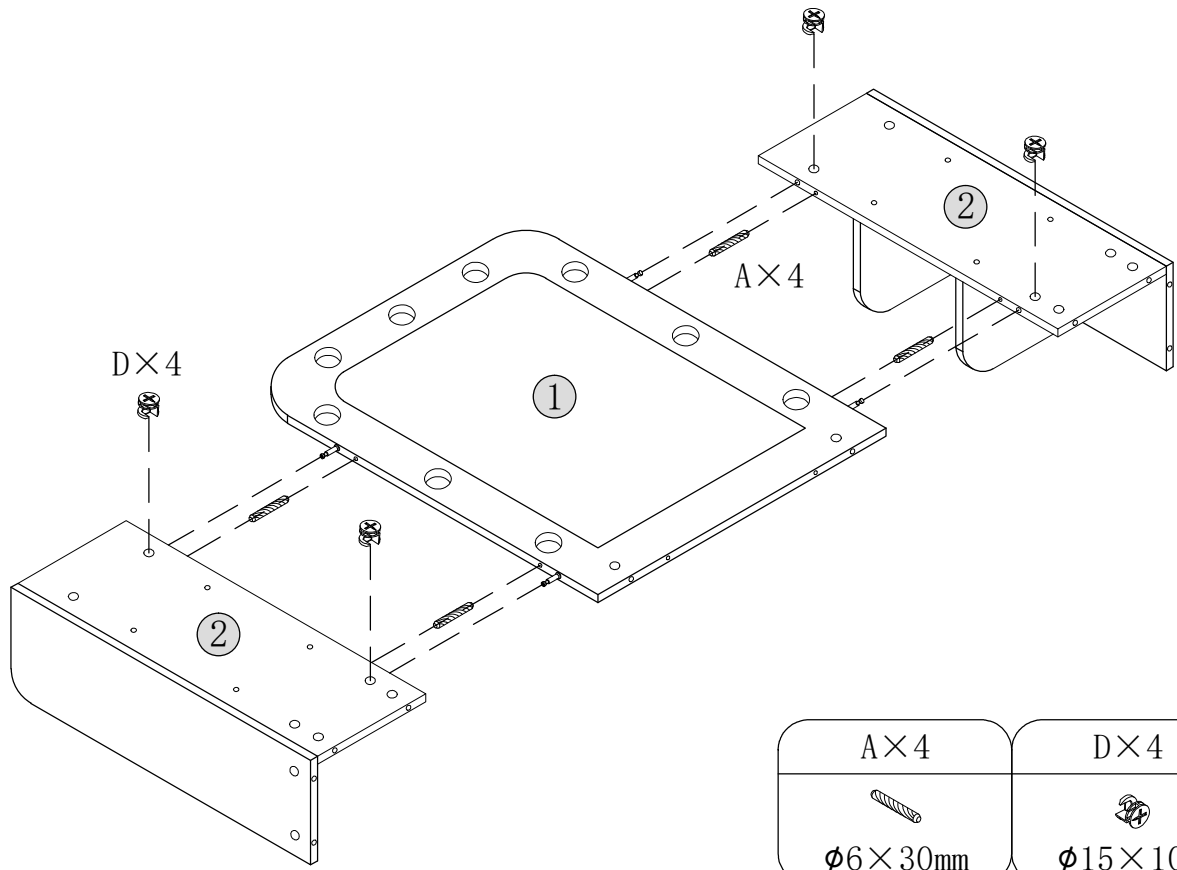
4



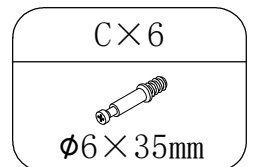
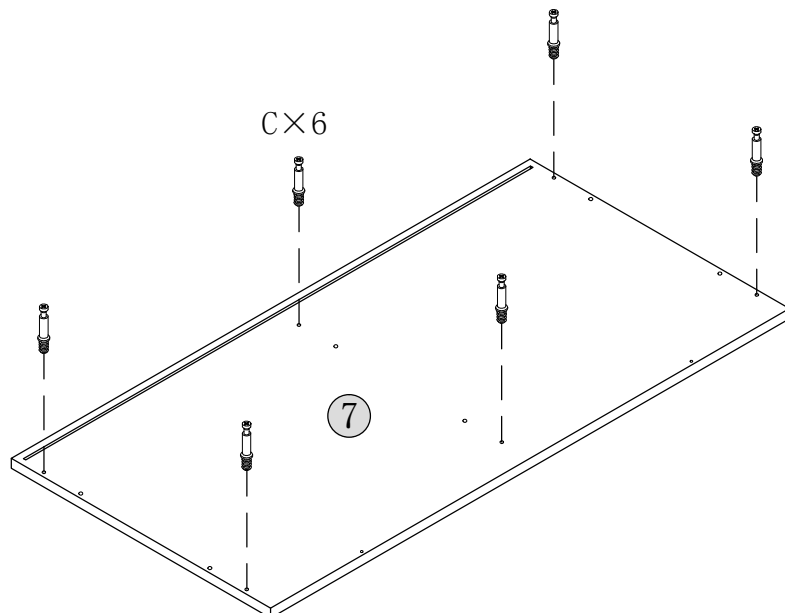
C x 4

 $\phi 6 \times 35\text{mm}$

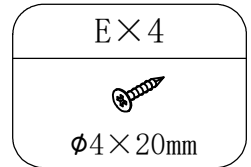
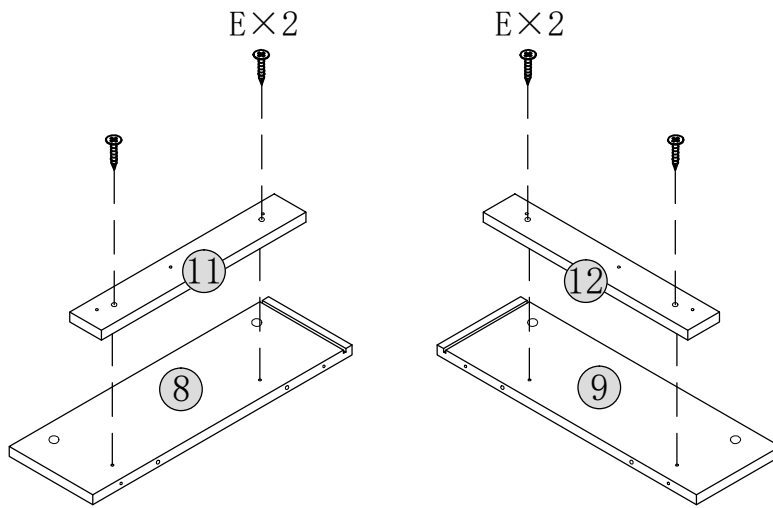
5



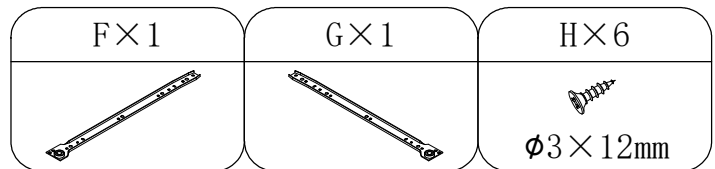
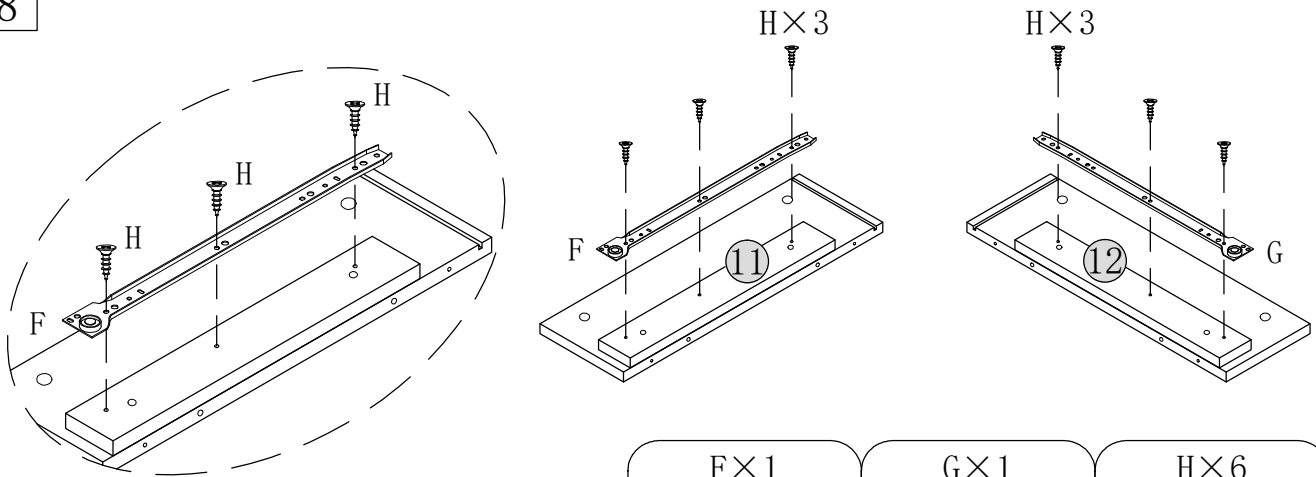
6



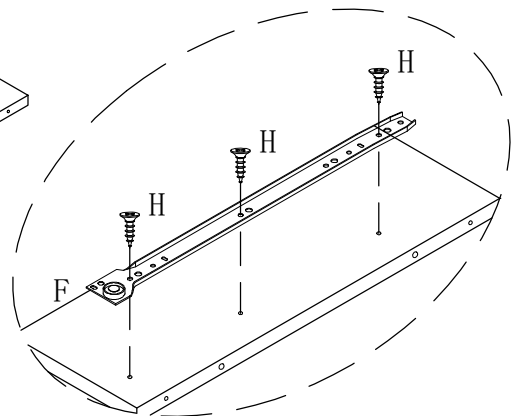
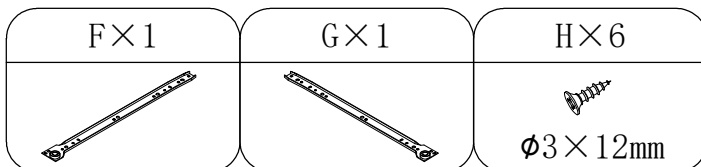
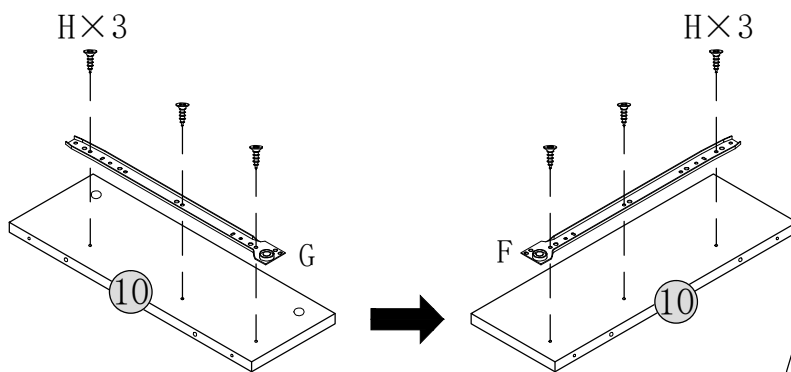
7



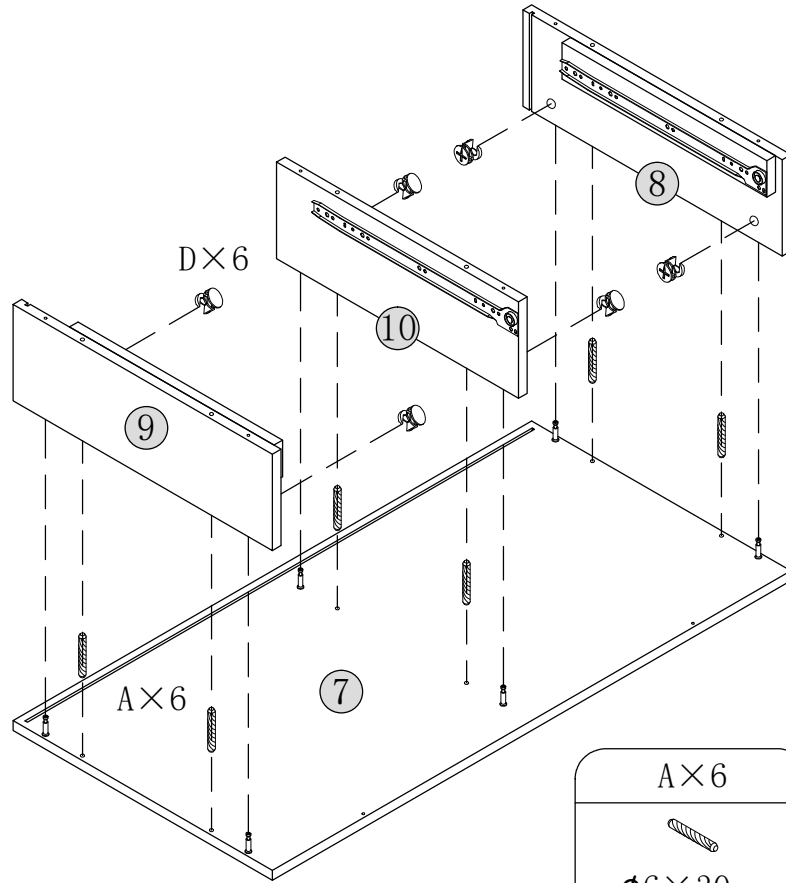
8





9

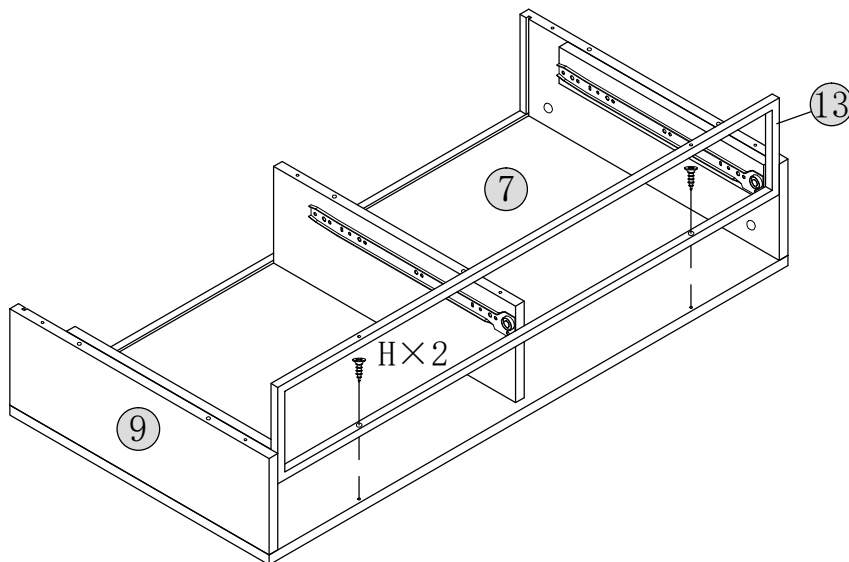



10



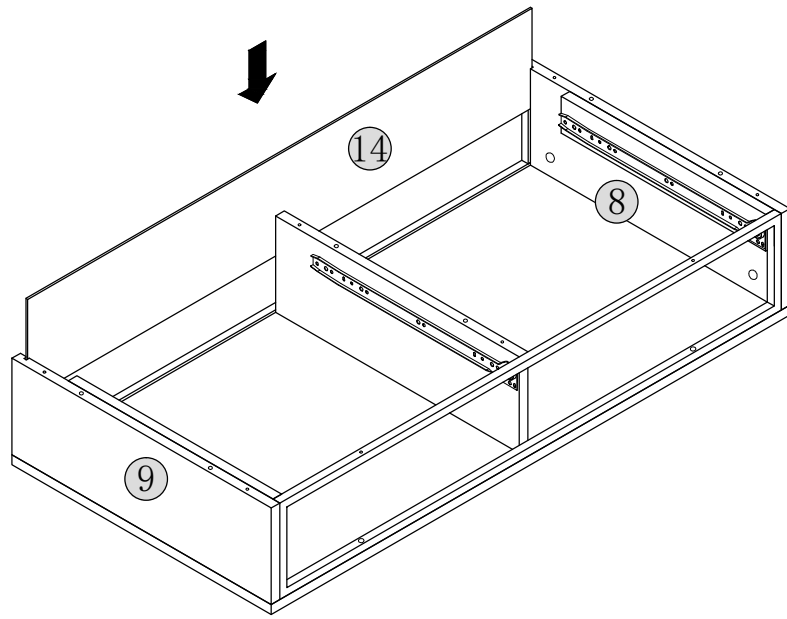
A x 6	D x 6
	
$\phi 6 \times 30\text{mm}$	$\phi 15 \times 10\text{mm}$

11

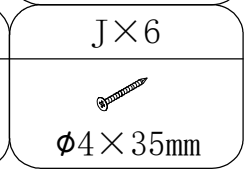
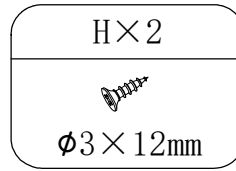
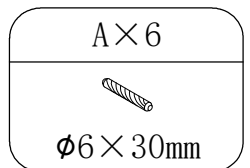
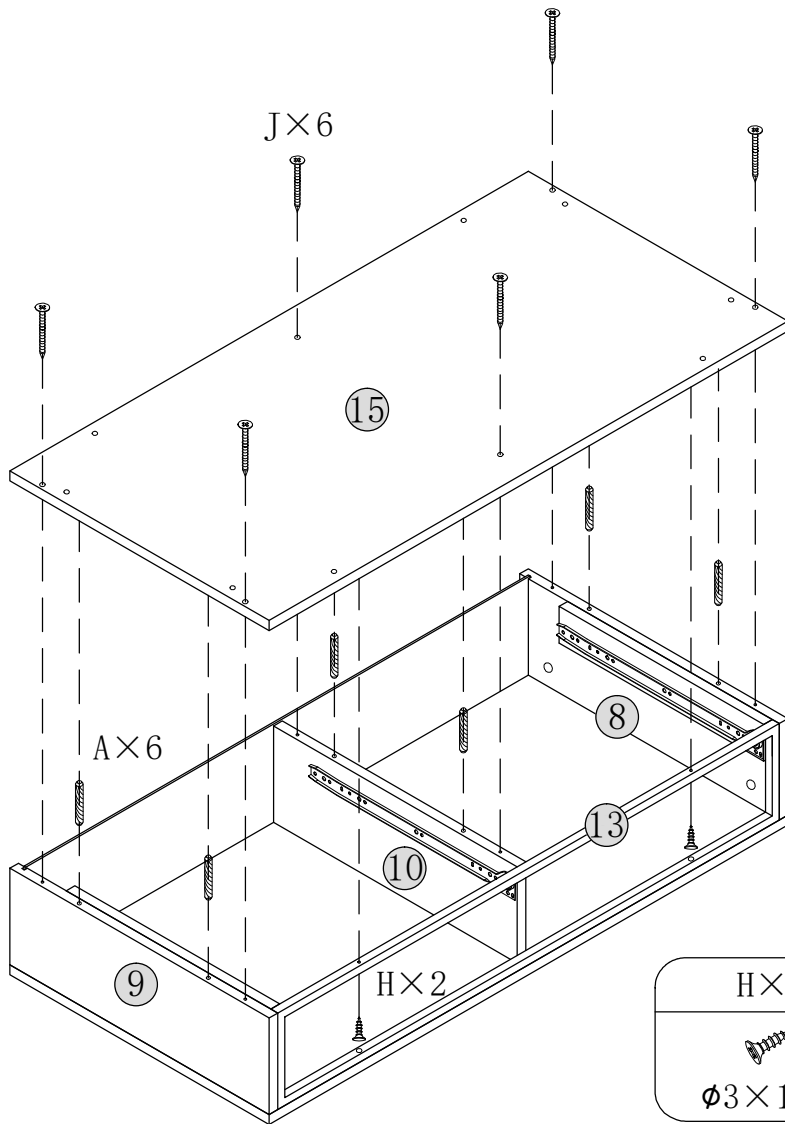


H x 2

$\phi 3 \times 12\text{mm}$

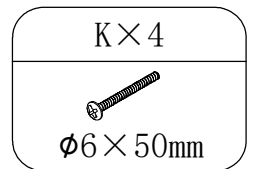
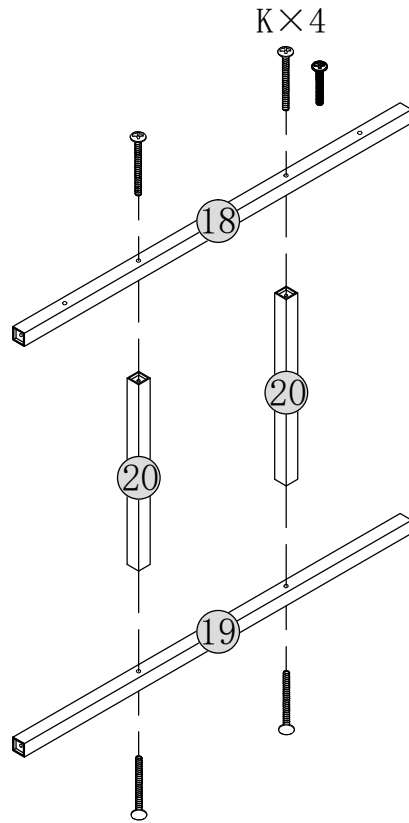
12



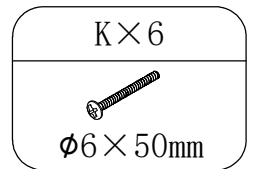
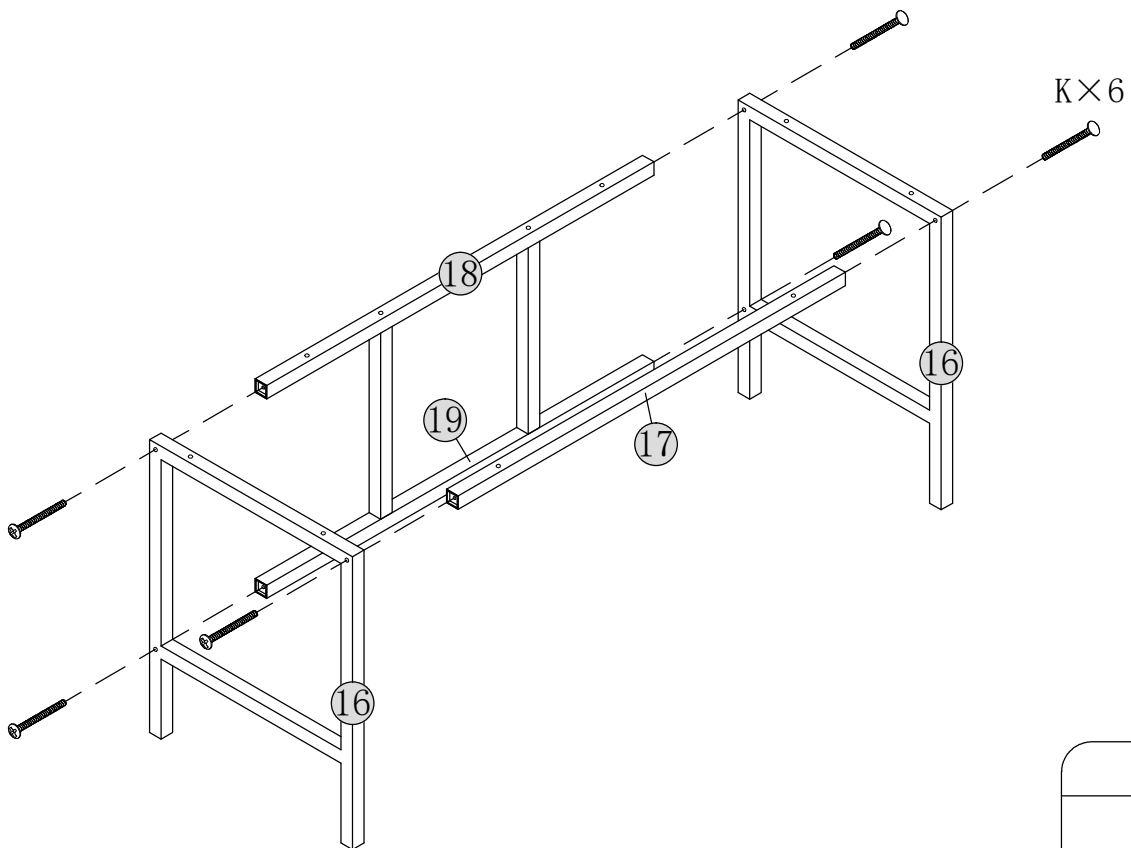
13



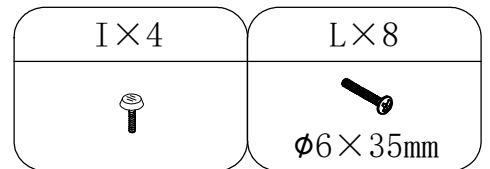
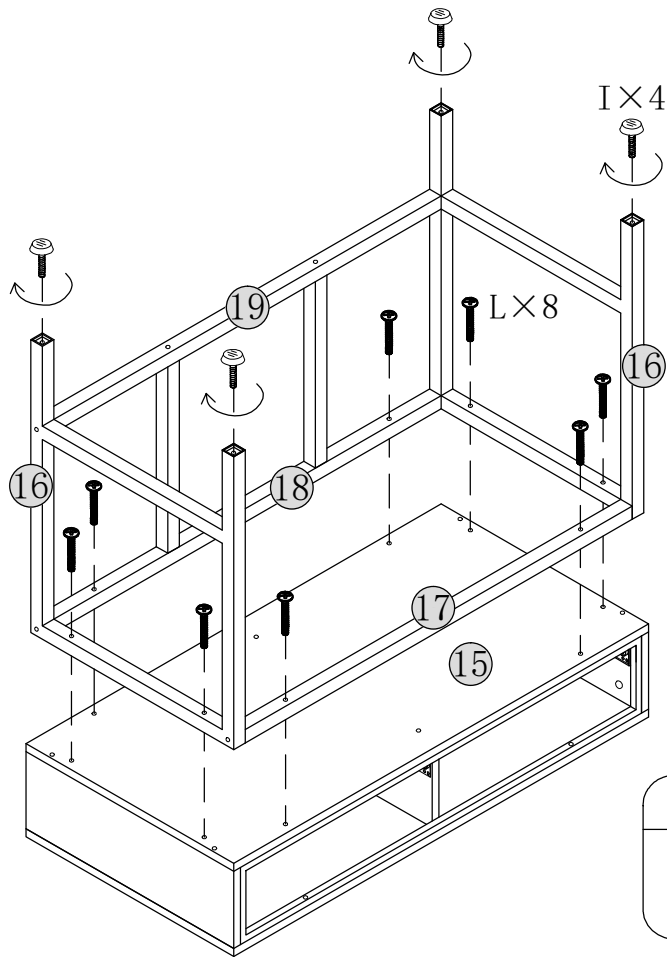
14



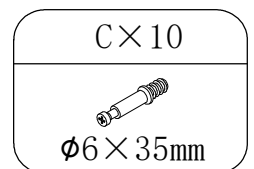
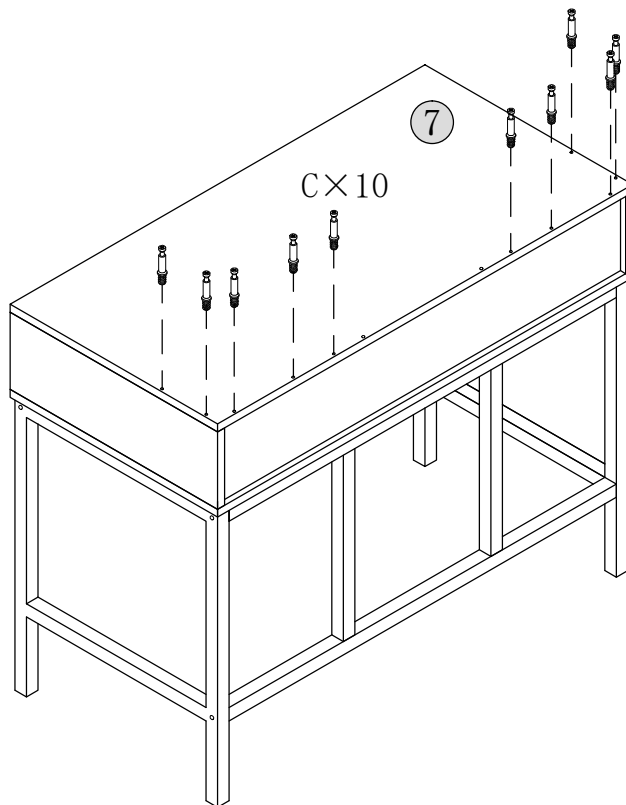
15

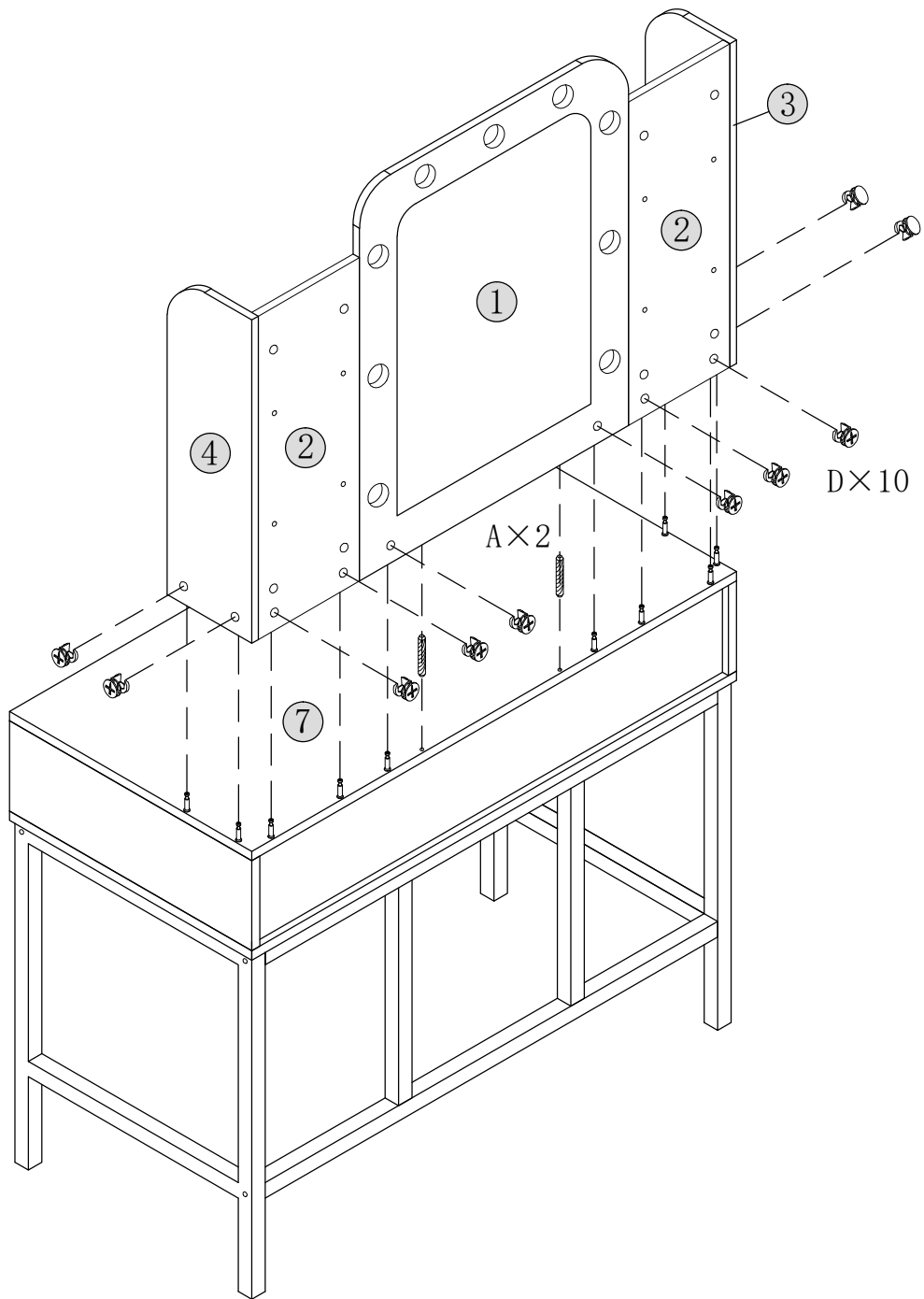




16

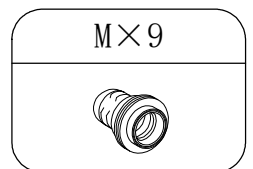
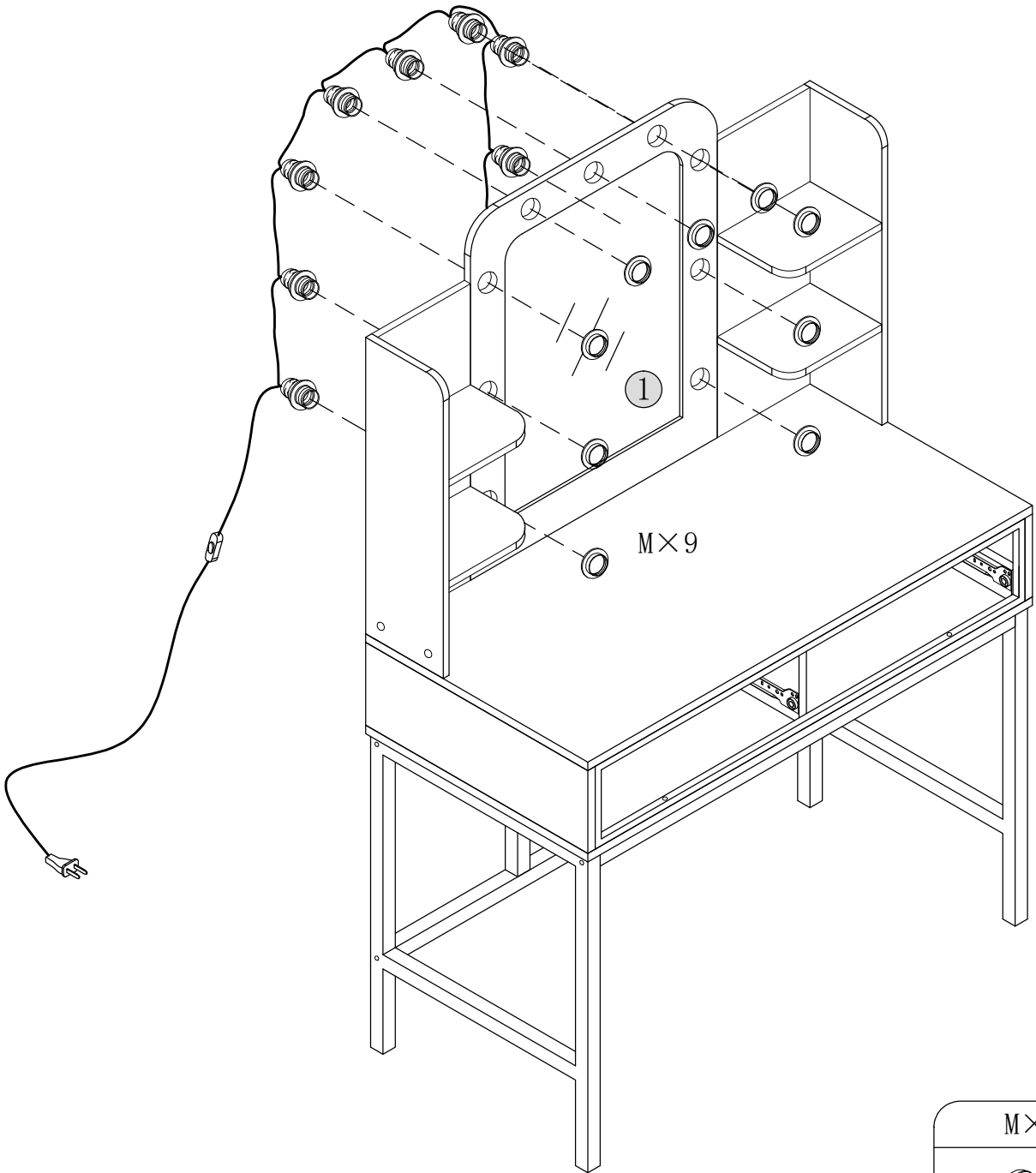
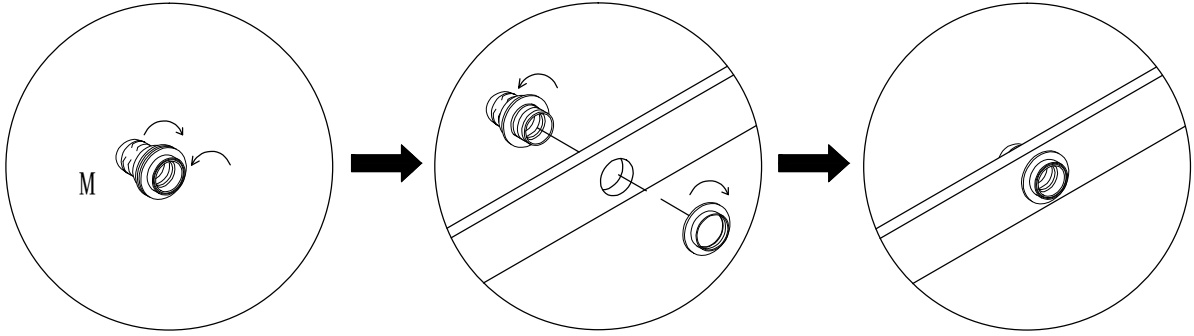


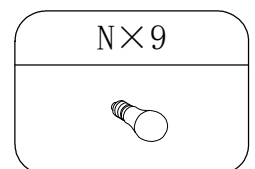
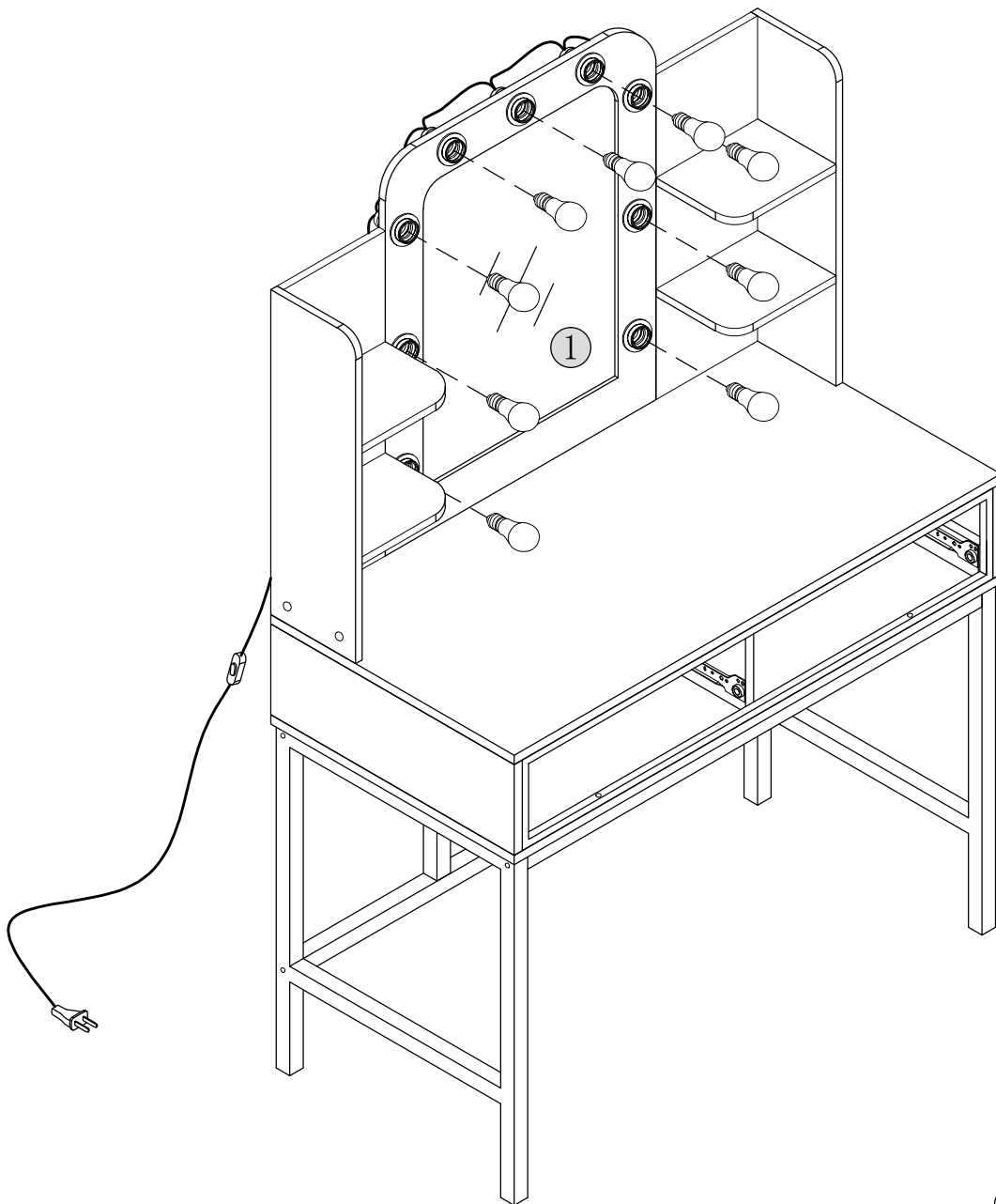
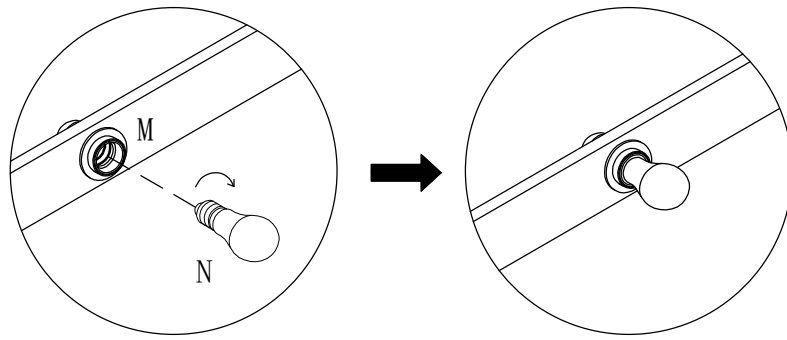
17



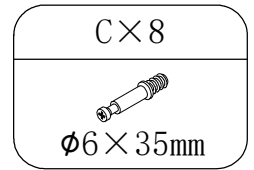
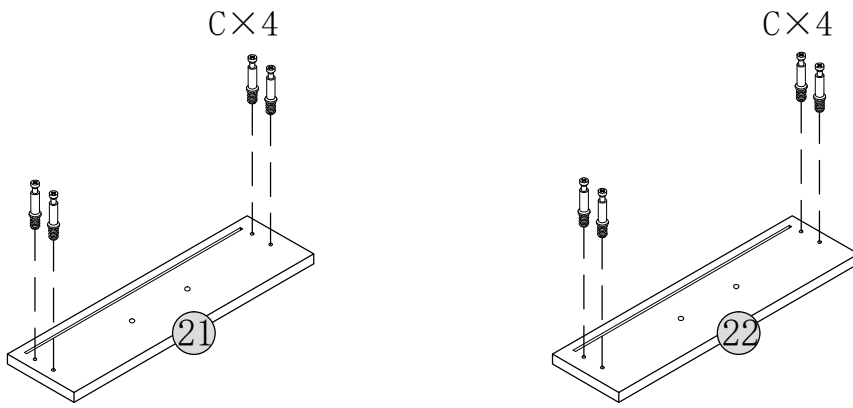


A x 2	D x 10
	
φ6 x 30mm	φ15 x 10mm

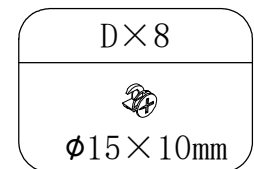
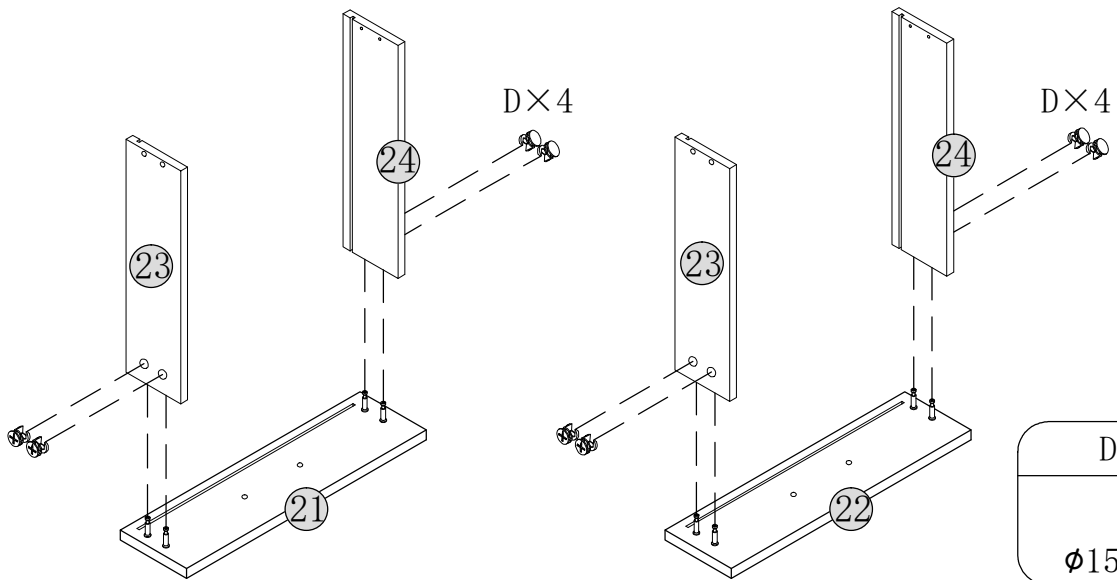




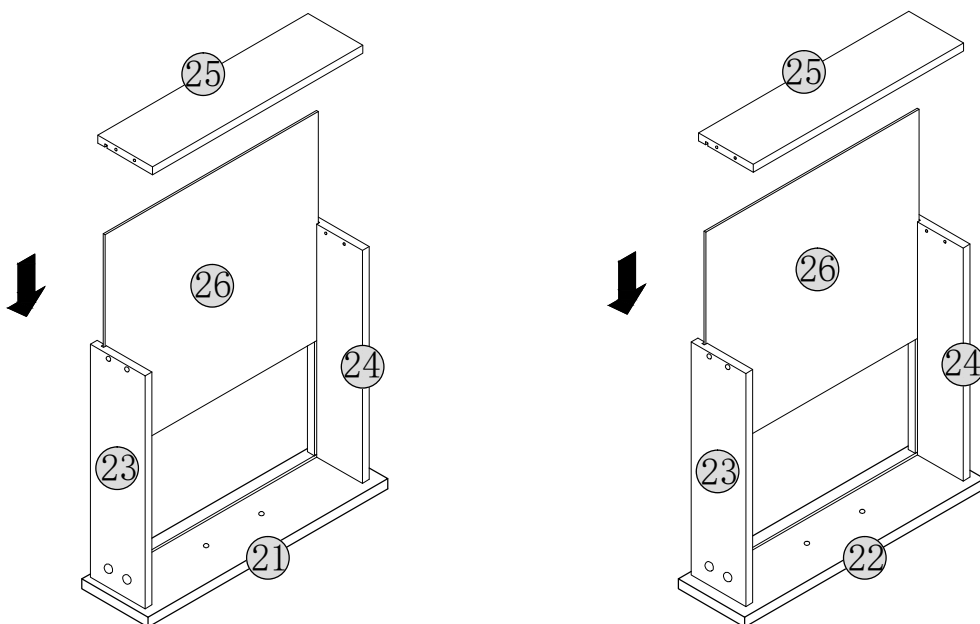
21



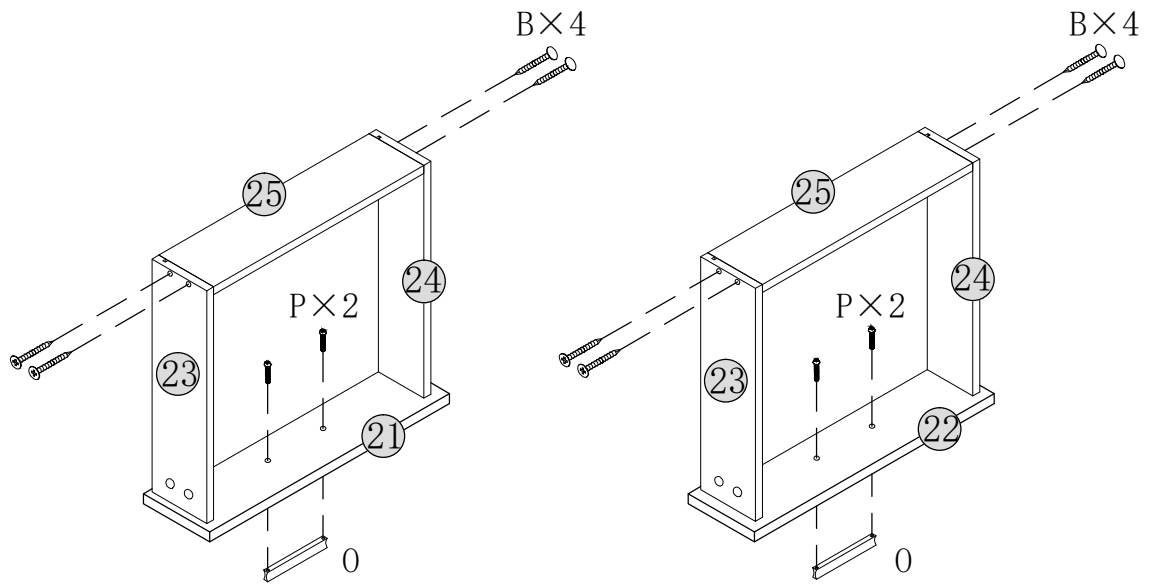
22






23

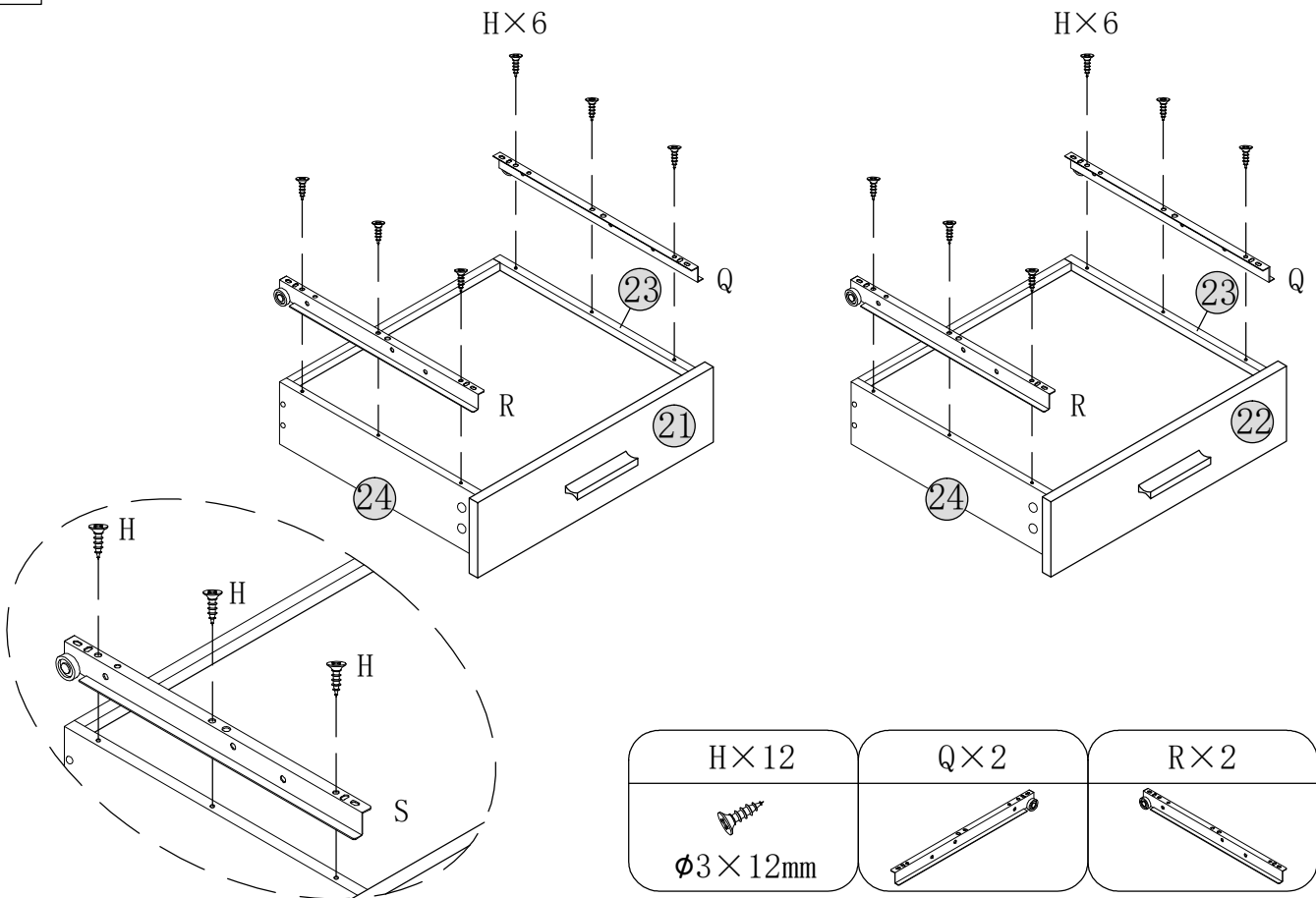



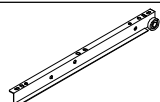
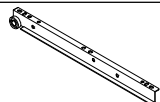
24

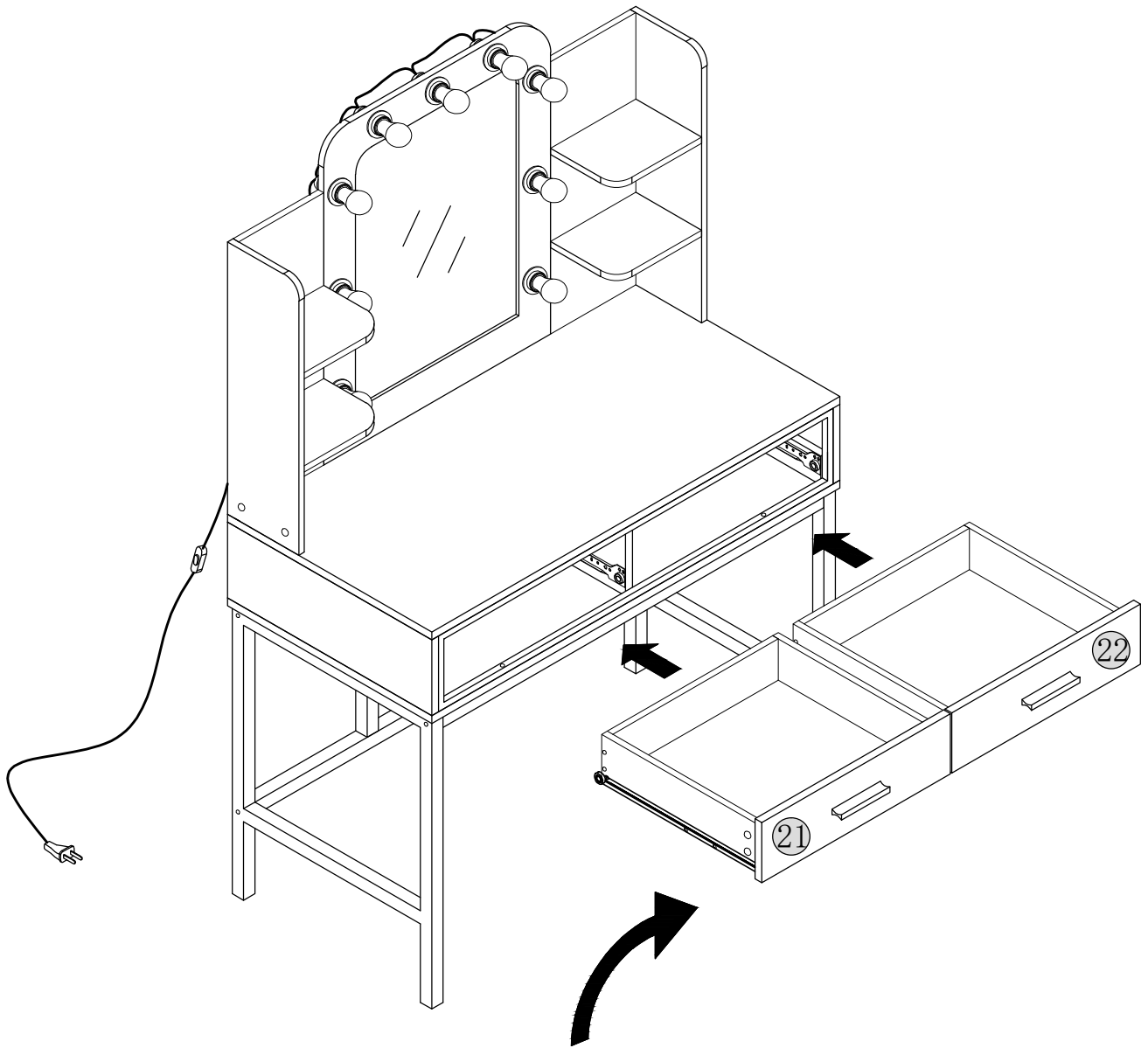


B×8	0×2	P×4
		
Ø4×30mm		Ø4×18mm

25



H×12	Q×2	R×2
		
Ø3×12mm		



The wheels of the track have to be aligned and pushed along.

